

US00D873612S

(12) **United States Design Patent** (10) **Patent No.:** **US D873,612 S**
Lou (45) **Date of Patent:** **** Jan. 28, 2020**

(54) **CUP**
(71) Applicant: **Xinduo Lou**, Zhejiang (CN)
(72) Inventor: **Xinduo Lou**, Zhejiang (CN)
(**) Term: **15 Years**
(21) Appl. No.: **29/641,080**
(22) Filed: **Mar. 19, 2018**
(51) **LOC (12) Cl.** **07-01**
(52) **U.S. Cl.**
USPC **D7/510**
(58) **Field of Classification Search**
USPC D7/300, 300.1, 509, 510, 511, 523,
D7/396.2, 397; D9/516, 520, 525, 544,
D9/546, 559, 563, 564, 435
CPC A45F 3/16; A45F 3/18; A47G 19/2266;
A47G 19/2272; B65D 47/066; B65D
43/02; B65D 41/04; A47J 43/27
See application file for complete search history.

D640,137 S * 6/2011 Martone D9/452
D722,826 S * 2/2015 Coon D7/511
D771,990 S * 11/2016 Horowitz D7/300.1
D794,386 S * 8/2017 Steel D7/396.2
D795,649 S * 8/2017 Ke D7/509
D800,502 S * 10/2017 Weermink D7/510
D823,641 S * 7/2018 Bodum D7/510

* cited by examiner

Primary Examiner — Derrick E Holland
Assistant Examiner — Andrew Kerr

(56) **References Cited**
U.S. PATENT DOCUMENTS
D222,340 S * 10/1971 Weckman D9/556
D291,284 S * 8/1987 Taylor D9/571
5,040,698 A * 8/1991 Ramsey B65D 1/165
220/671
D345,105 S * 3/1994 Ramsey D9/556
D452,797 S * 1/2002 Palefsky D7/510

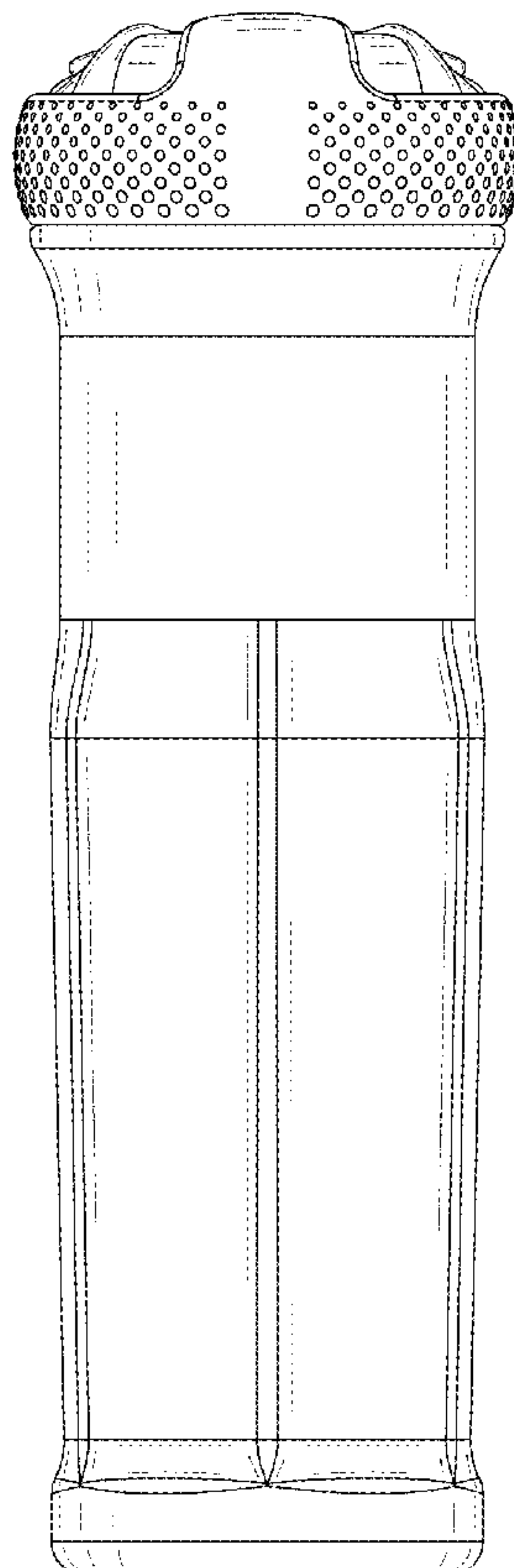
(57) **CLAIM**

The ornamental design for a cup, as shown and described.

DESCRIPTION

FIG. 1 is a front view of a cup showing my new design;
FIG. 2 is a back view thereof;
FIG. 3 is a left side view thereof;
FIG. 4 is a right side view thereof;
FIG. 5 is a top view thereof;
FIG. 6 is a bottom view thereof;
FIG. 7 is a perspective view thereof; and,
FIG. 8 is another perspective view thereof.
The broken lines in FIG. 5 represent environmental structure
and form no part of the claimed design.

1 Claim, 7 Drawing Sheets



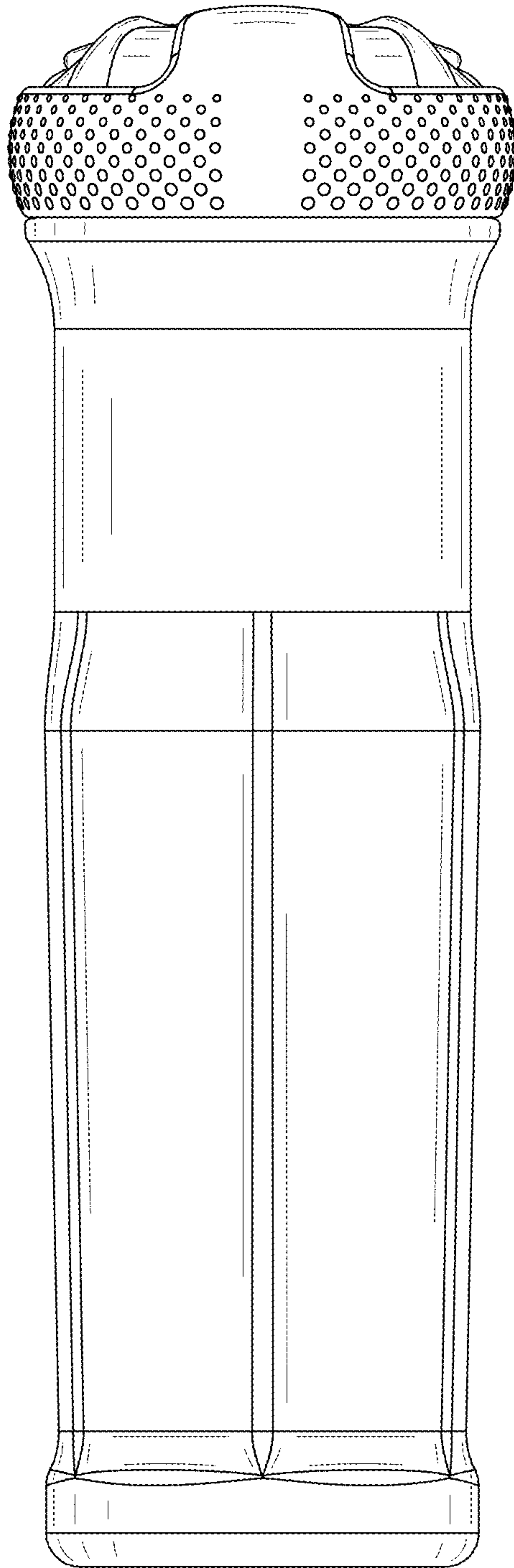


Fig.1

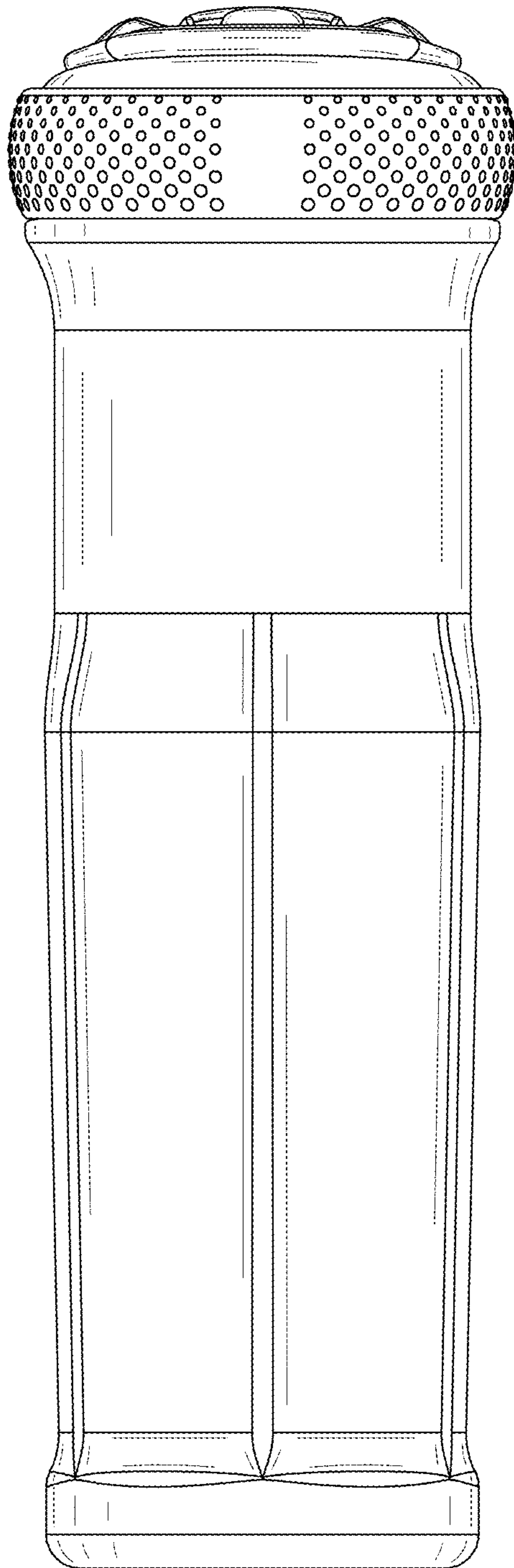


Fig.2

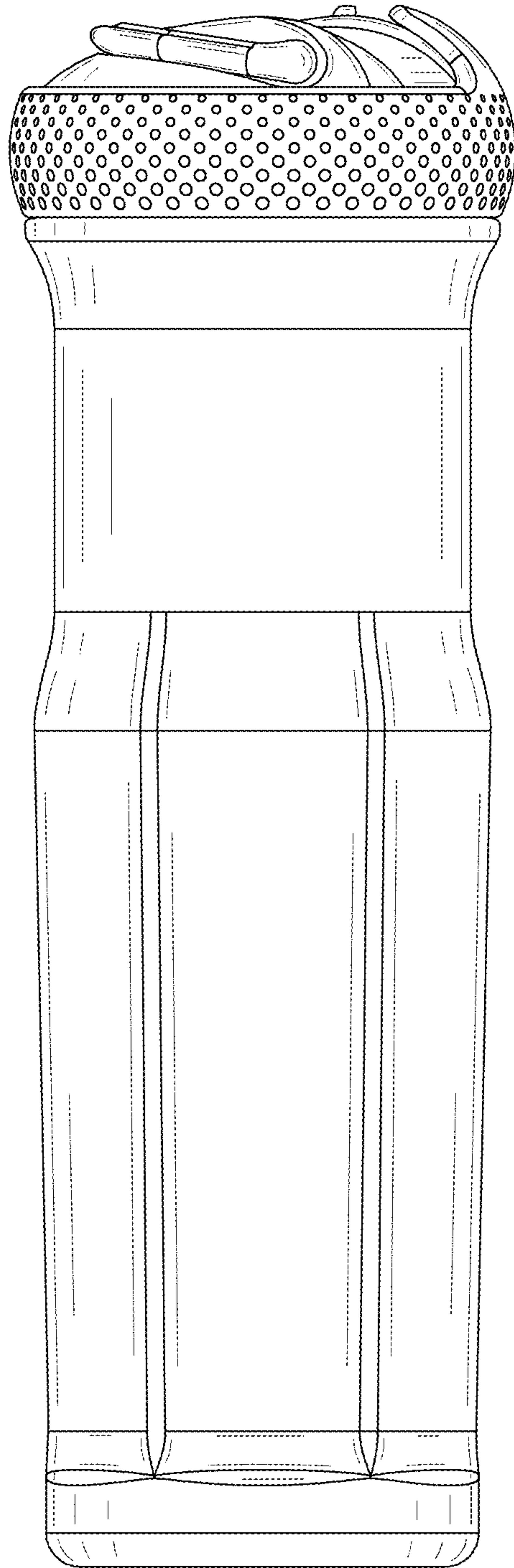


Fig3

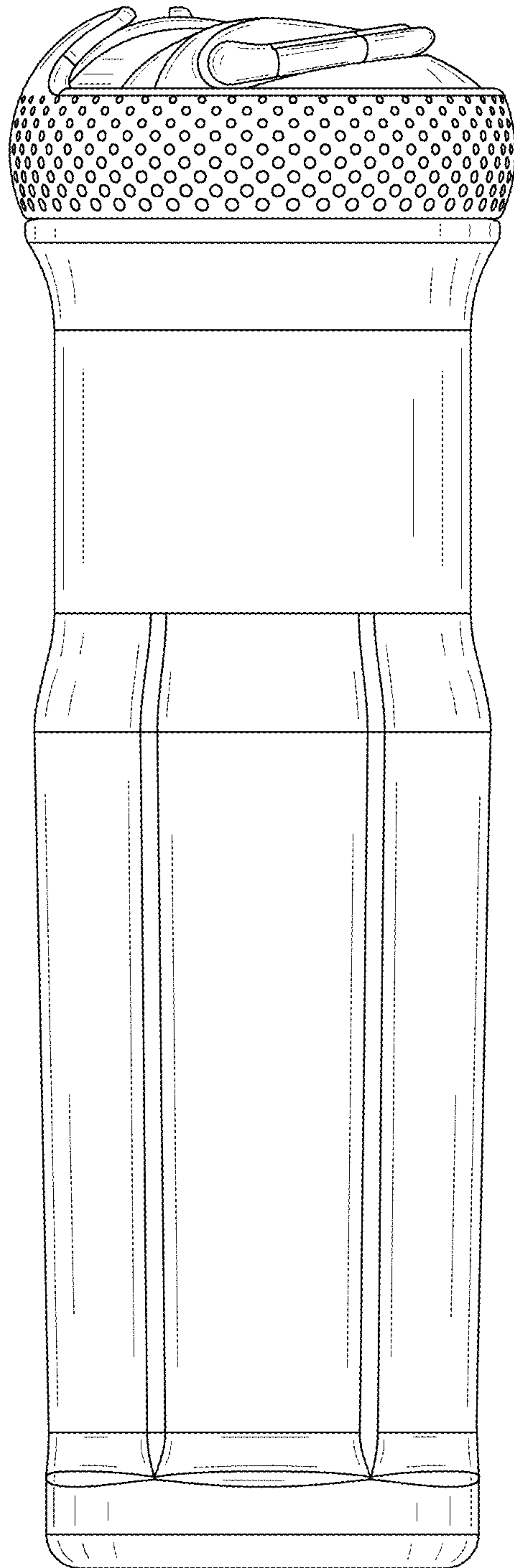


Fig.4

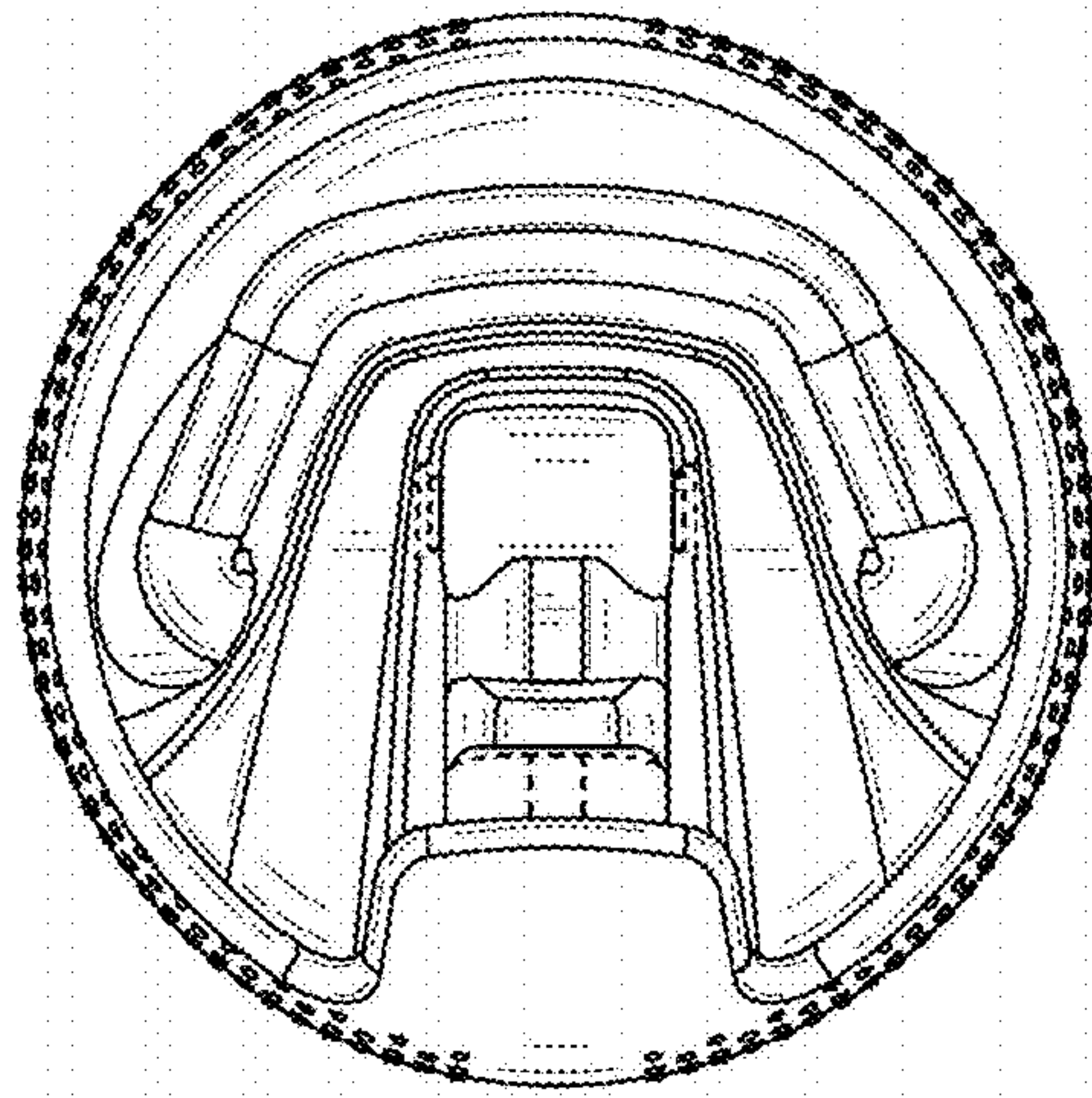


Fig.5

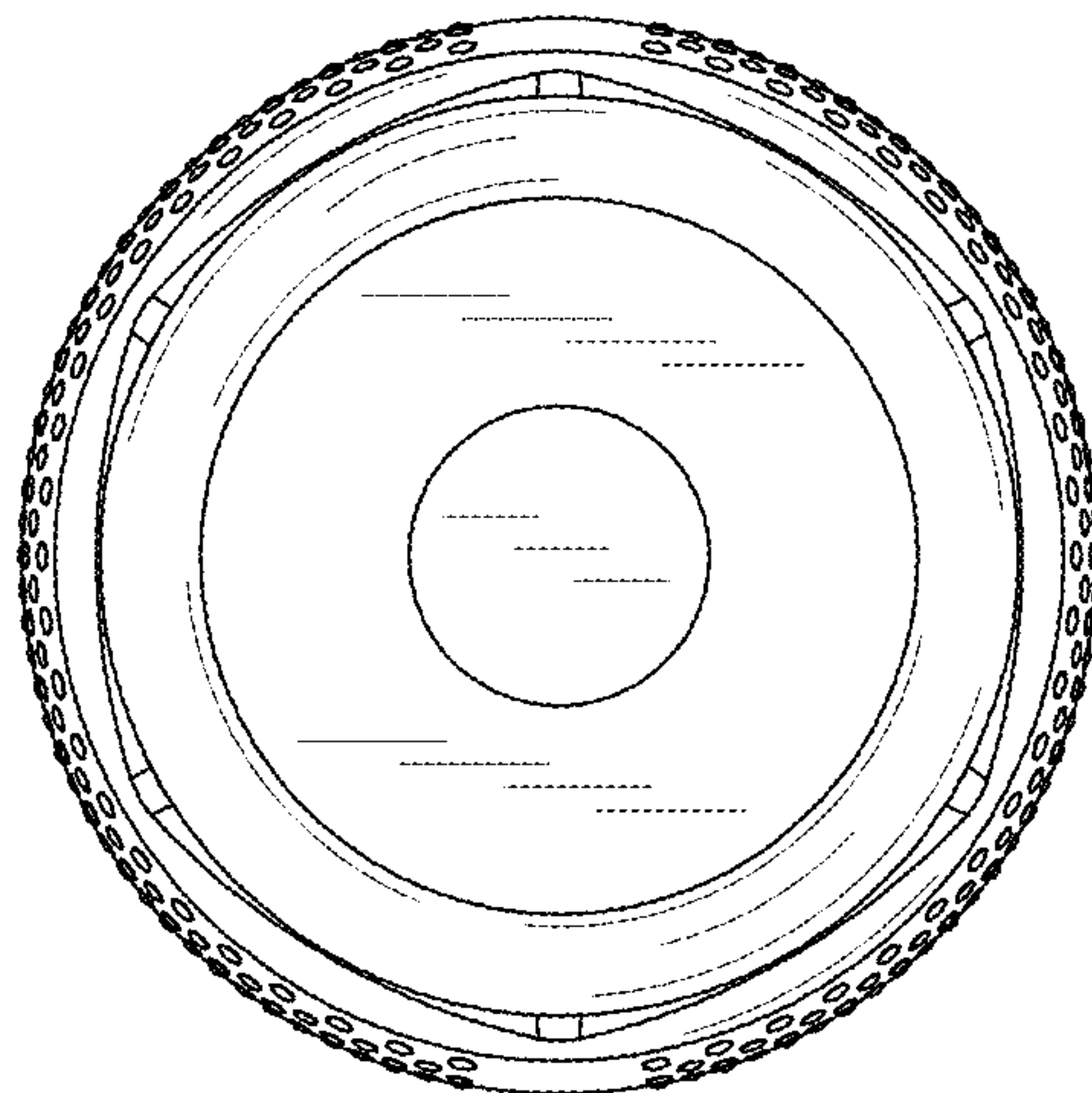


Fig.6

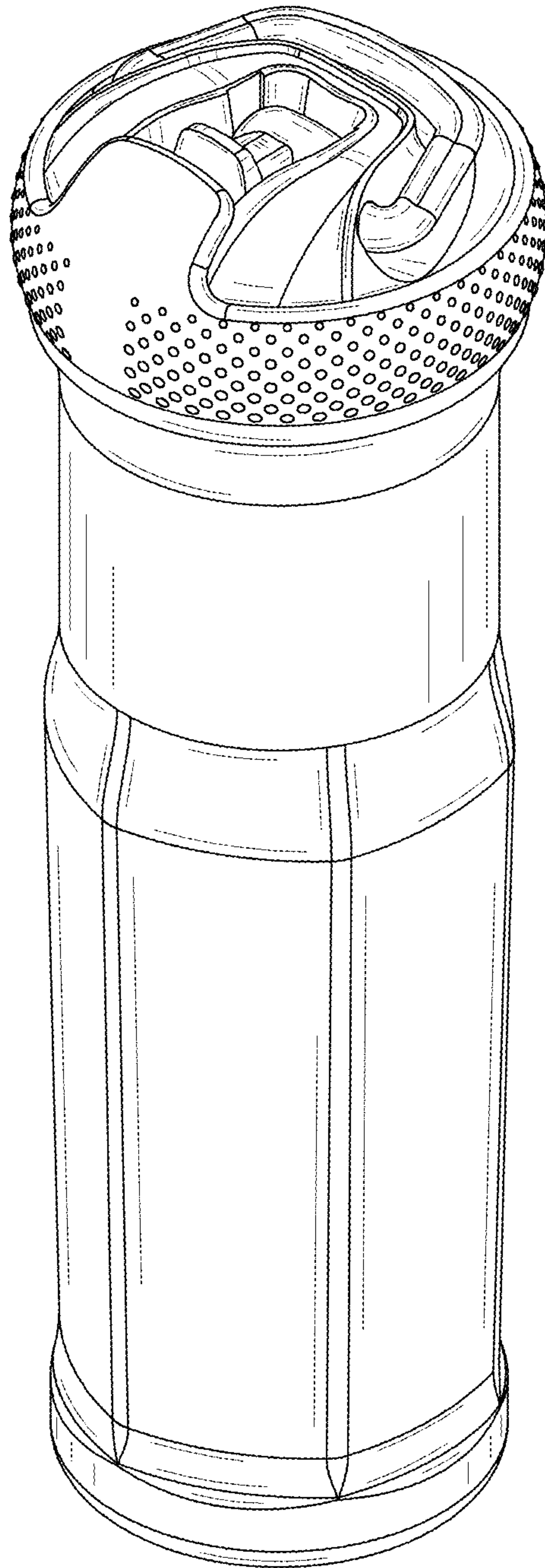


Fig.7

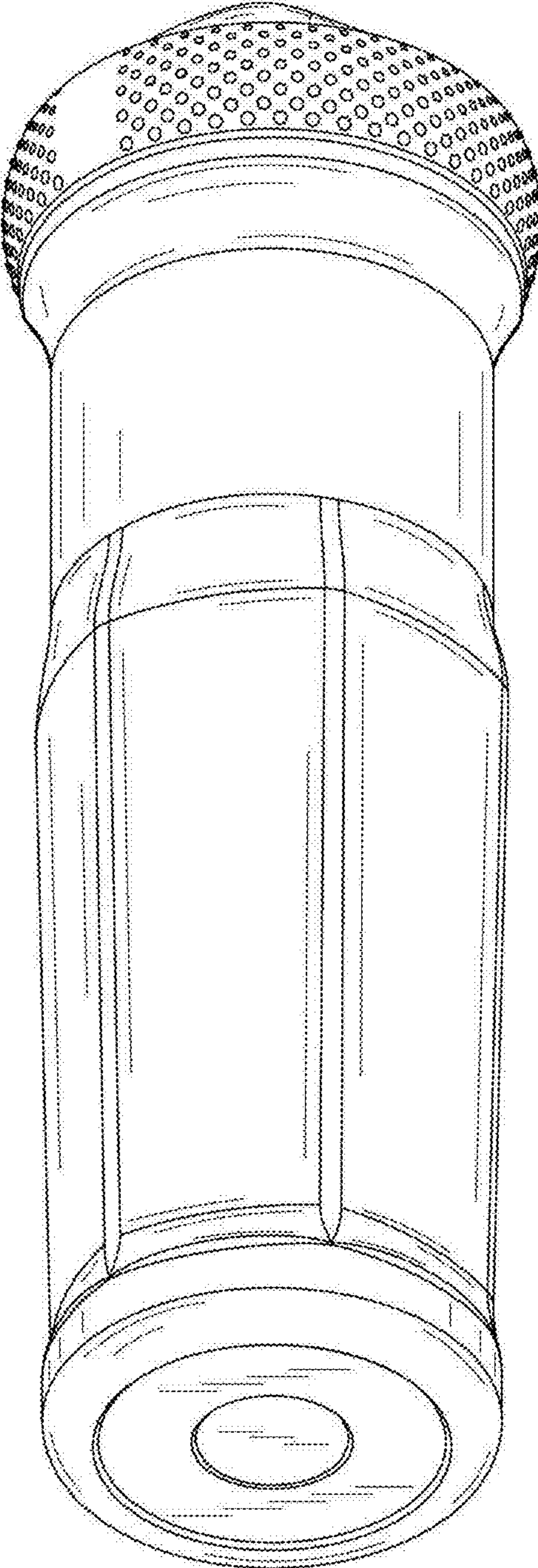


Fig.8