



US00D873611S

(12) **United States Design Patent**  
**Stanton**

(10) **Patent No.:** **US D873,611 S**

(45) **Date of Patent:** **\*\* Jan. 28, 2020**

(54) **INSULATED TUMBLER WITH LID**

(71) Applicant: **Healthy Human, LLC**, Mt. Pleasant, SC (US)

(72) Inventor: **Richard John Stanton**, Mt. Pleasant, SC (US)

(73) Assignee: **Healthy Human, LLC**, Mt. Pleasant, SC (US)

(\*\*) Term: **15 Years**

(21) Appl. No.: **29/630,150**

(22) Filed: **Dec. 19, 2017**

(51) **LOC (12) Cl.** ..... **07-01**

(52) **U.S. Cl.**  
USPC ..... **D7/510; D7/511; D7/532**

(58) **Field of Classification Search**  
USPC ..... **D7/507, 509, 510, 511, 523, 532, 533, D7/536, 300.1, 608, 392.1, 396.2, 387, D7/397, 398, 534; D9/435, 449; 220/200, 592.16, 592.17; D3/202**  
CPC ..... **A47J 43/27; A47J 41/02; A47J 41/0077; A47G 19/22; A47G 19/2288; A47G 19/2205**

See application file for complete search history.

(56) **References Cited**

**U.S. PATENT DOCUMENTS**

D417,819 S	*	12/1999	Kelly-Pollet	.....	D7/510
D466,371 S	*	12/2002	Parker	.....	D7/510
D516,859 S	*	3/2006	Zettle	.....	D7/392.1
D568,107 S	*	5/2008	Bhavnani	.....	D7/509
D569,183 S	*	5/2008	Blake	.....	D7/509
D648,599 S	*	11/2011	Watanabe	.....	D7/509
D731,251 S	*	6/2015	Lane	.....	D7/523
D790,921 S	*	7/2017	Lapsker	.....	D7/510

D796,902 S	*	9/2017	Gordon	.....	D7/510
D811,817 S	*	3/2018	Harrington, III	.....	D7/510
D813,605 S	*	3/2018	Seiders	.....	D7/532
D817,069 S	*	5/2018	Tosdale	.....	D7/354
D819,406 S	*	6/2018	Rivera	.....	D7/532
D820,045 S	*	6/2018	Harrington, III	.....	D7/511
D821,151 S	*	6/2018	Lapsker	.....	D7/511
D822,428 S	*	7/2018	Thuma	.....	D7/392.1
D825,992 S	*	8/2018	Sadhwani	.....	D7/510
D826,641 S	*	8/2018	Nickley	.....	D7/510
D842,028 S	*	3/2019	Melanson	.....	D7/392.1
D845,064 S	*	4/2019	Mulhauser	.....	D7/392.1
D850,192 S	*	6/2019	Jacobsen	.....	D7/396.2
2003/0052126 A1	*	3/2003	Zettle	.....	B65D 43/0212 220/254.3
2017/0273484 A1	*	9/2017	Spivey	.....	A47G 19/2288
2018/0310766 A1	*	11/2018	Lapsker	.....	B65D 81/3886

\* cited by examiner

*Primary Examiner* — Jae Liang

(74) *Attorney, Agent, or Firm* — Gregory Finch; Finch Paolino, LLC

(57) **CLAIM**

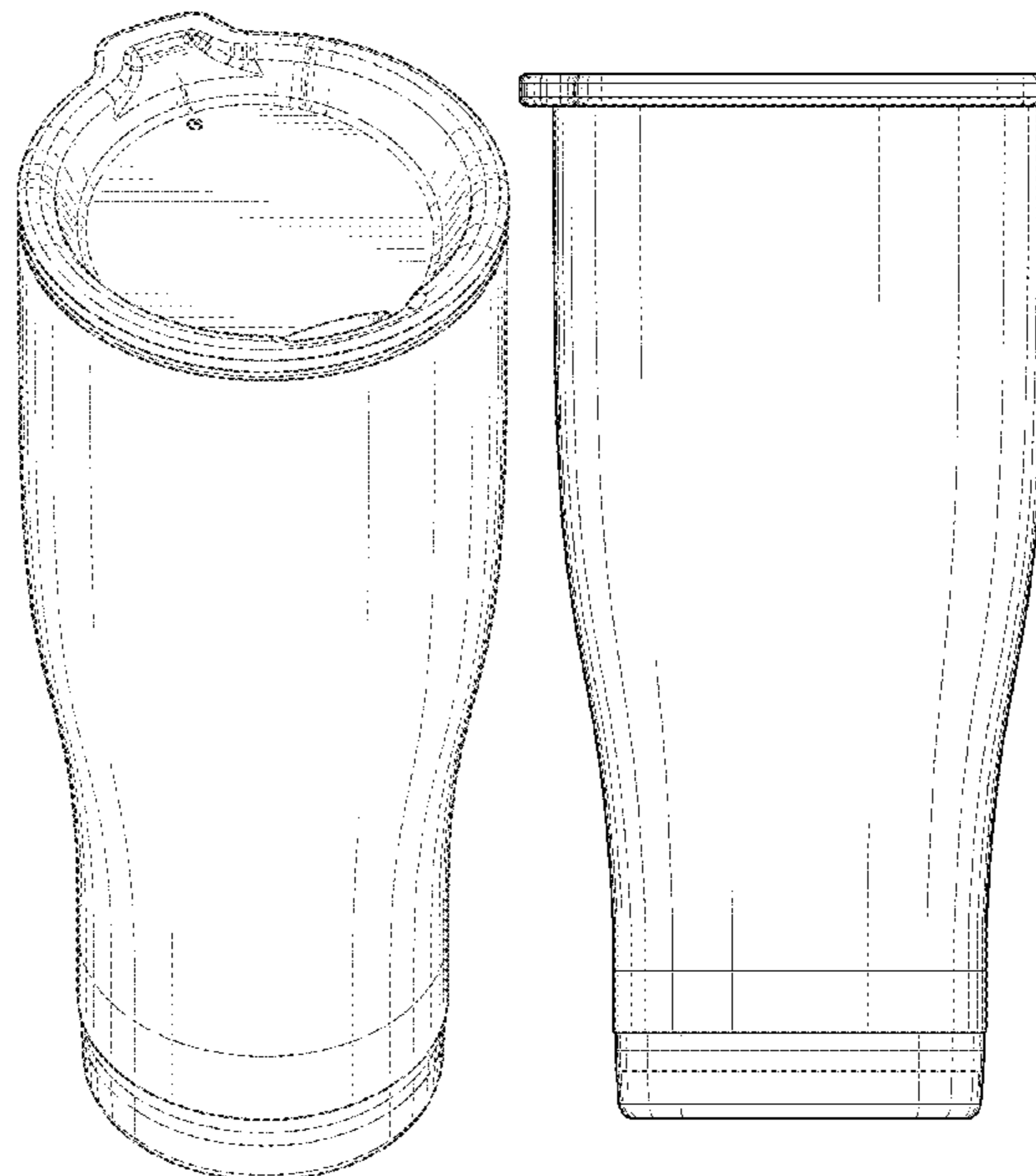
The ornamental design for an insulated tumbler with lid, as shown and described.

**DESCRIPTION**

FIG. 1 is an isometric view of an insulated tumbler with lid showing my new design;  
FIG. 2 is a front view thereof;  
FIG. 3 is a rear view thereof;  
FIG. 4 is a left side view thereof;  
FIG. 5 is a right side view thereof;  
FIG. 6 is a bottom view thereof; and,  
FIG. 7 is a top view thereof.

The broken lines in the drawings depict portions of the insulated tumbler with lid that form no part of the claimed design.

**1 Claim, 7 Drawing Sheets**



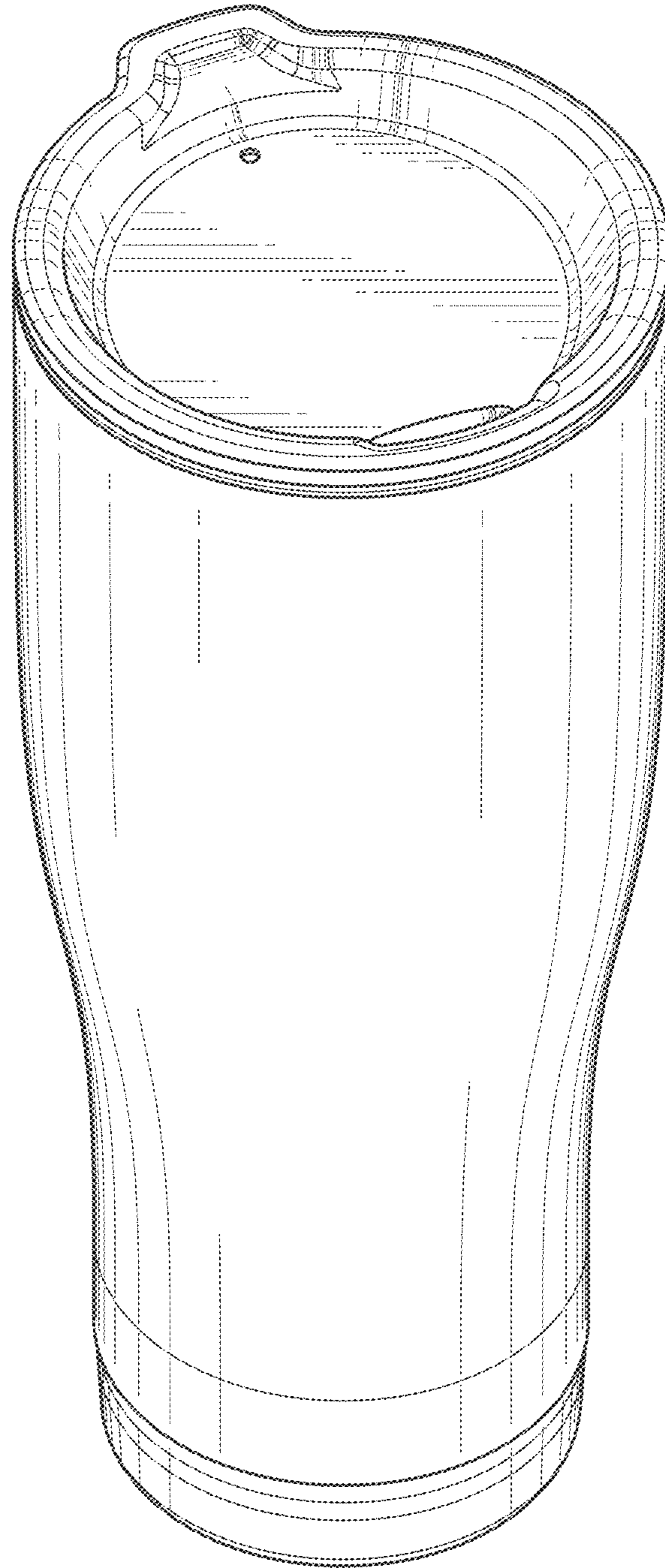


Fig. 1

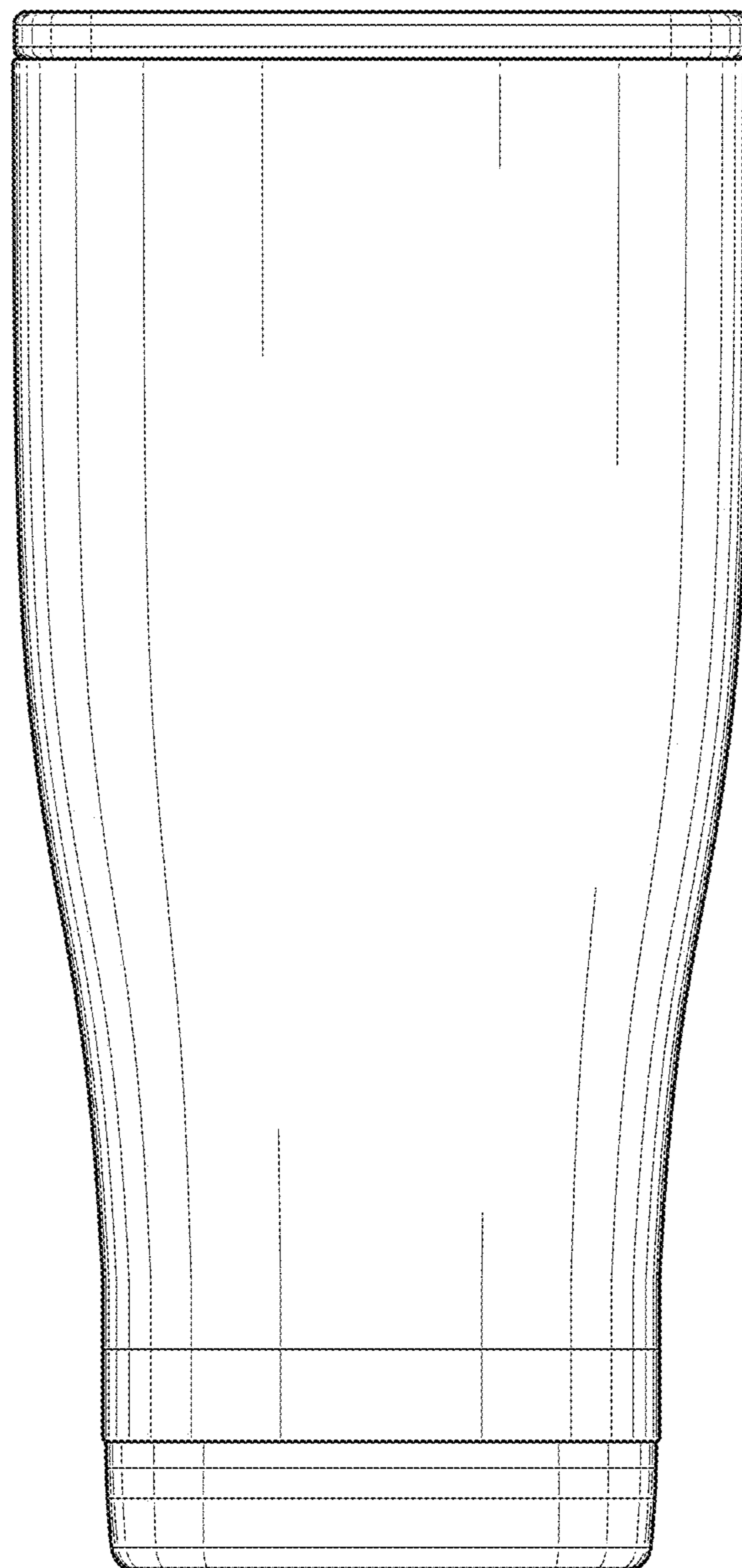


Fig. 2

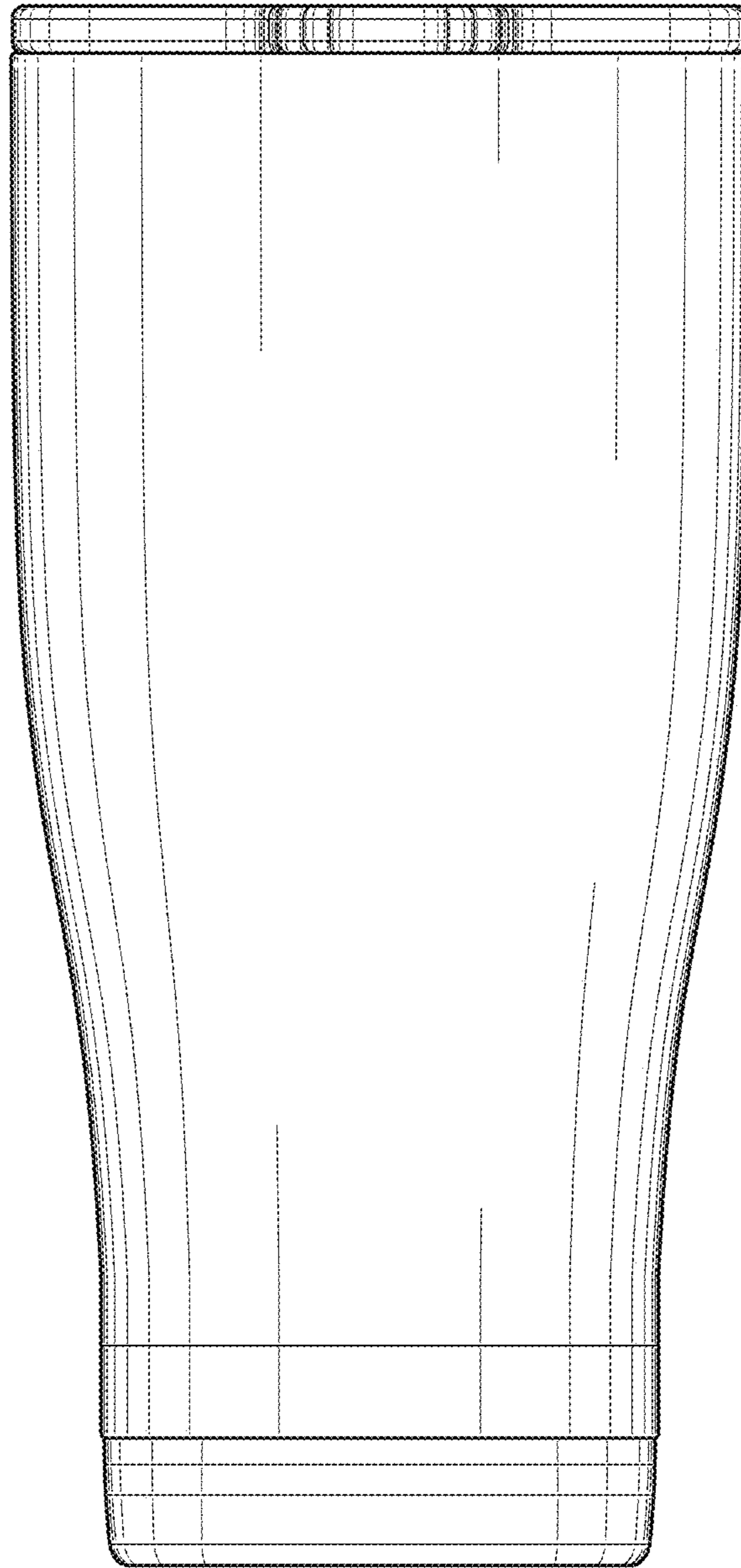


Fig. 3

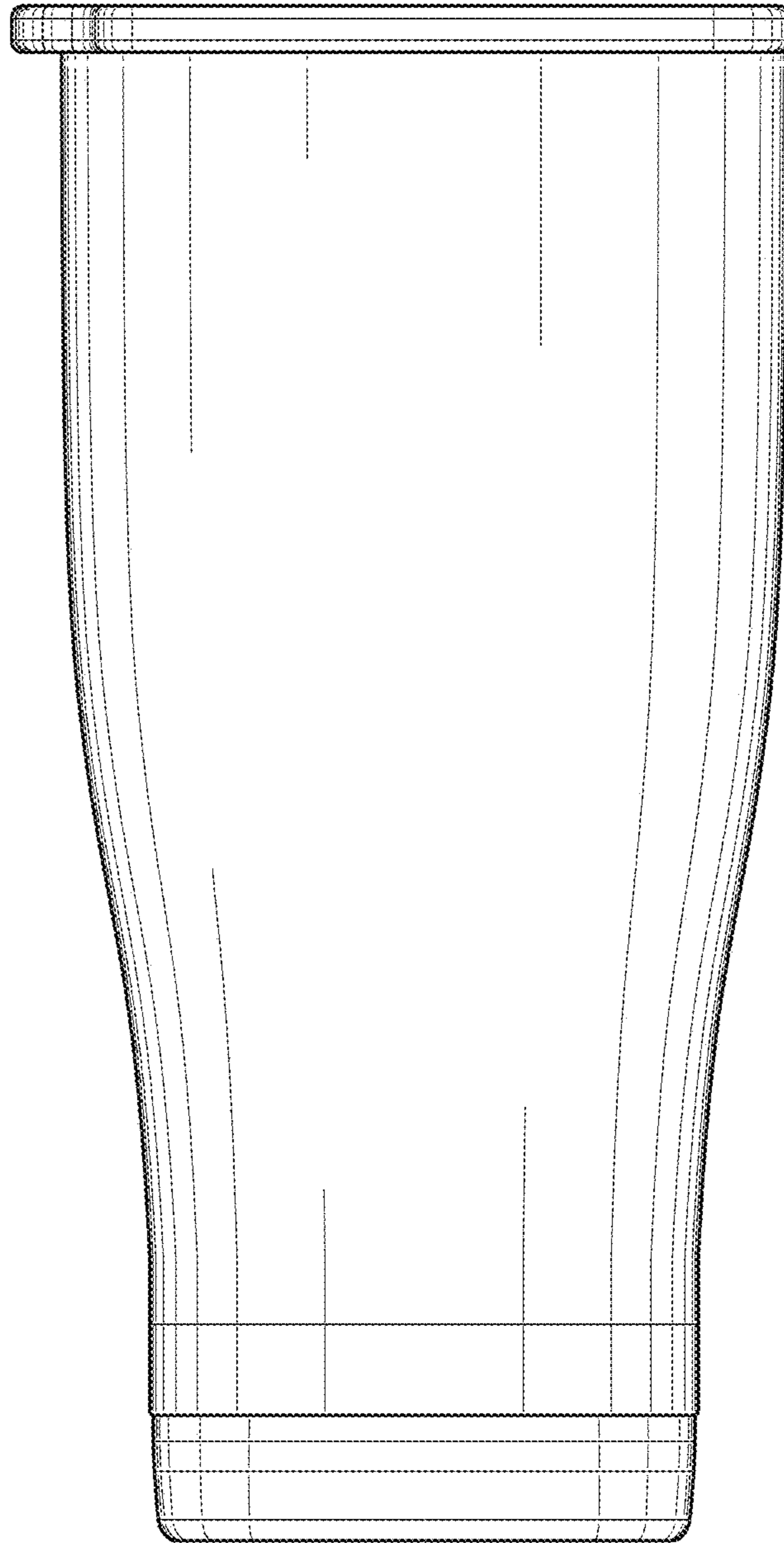


Fig. 4

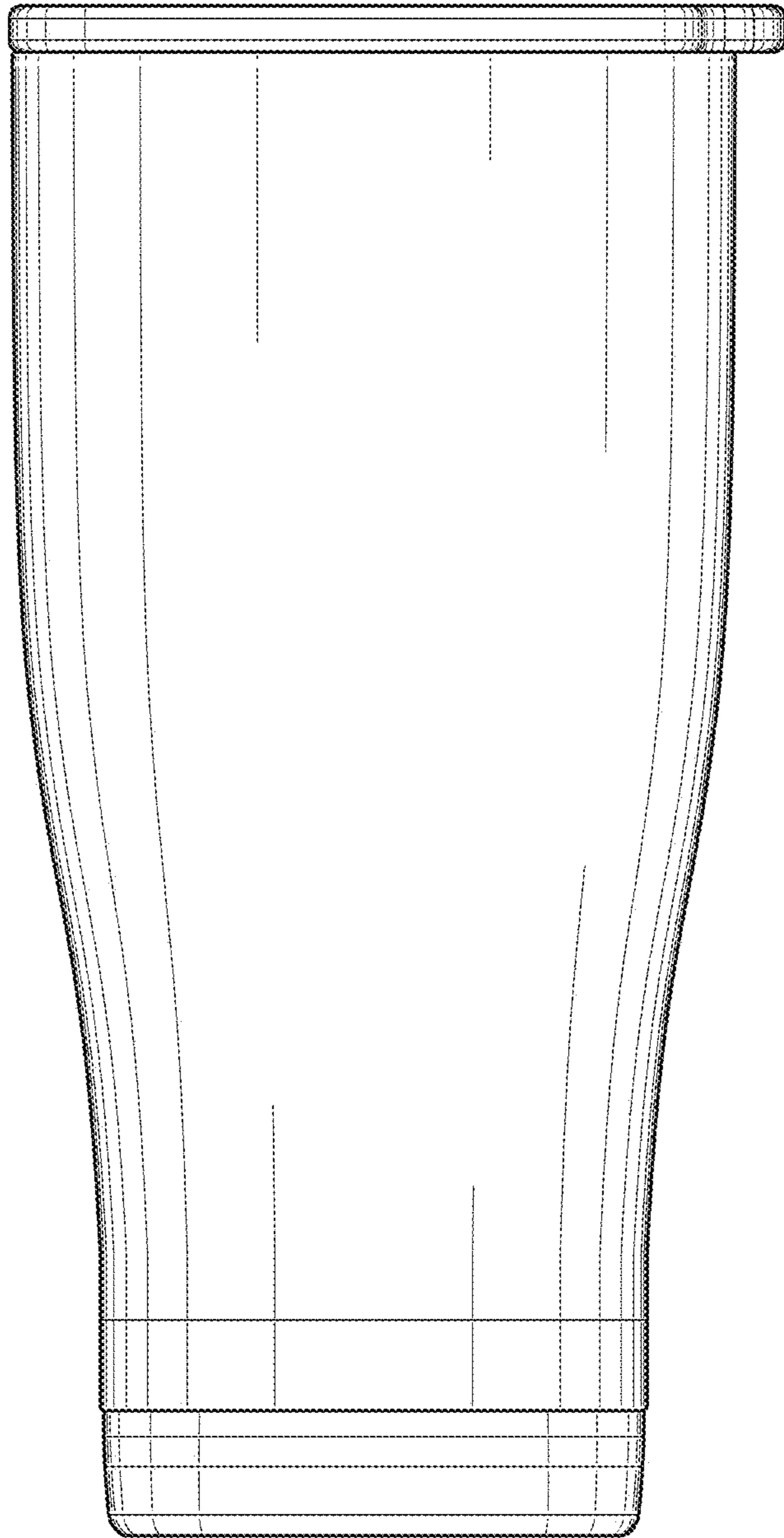


Fig. 5

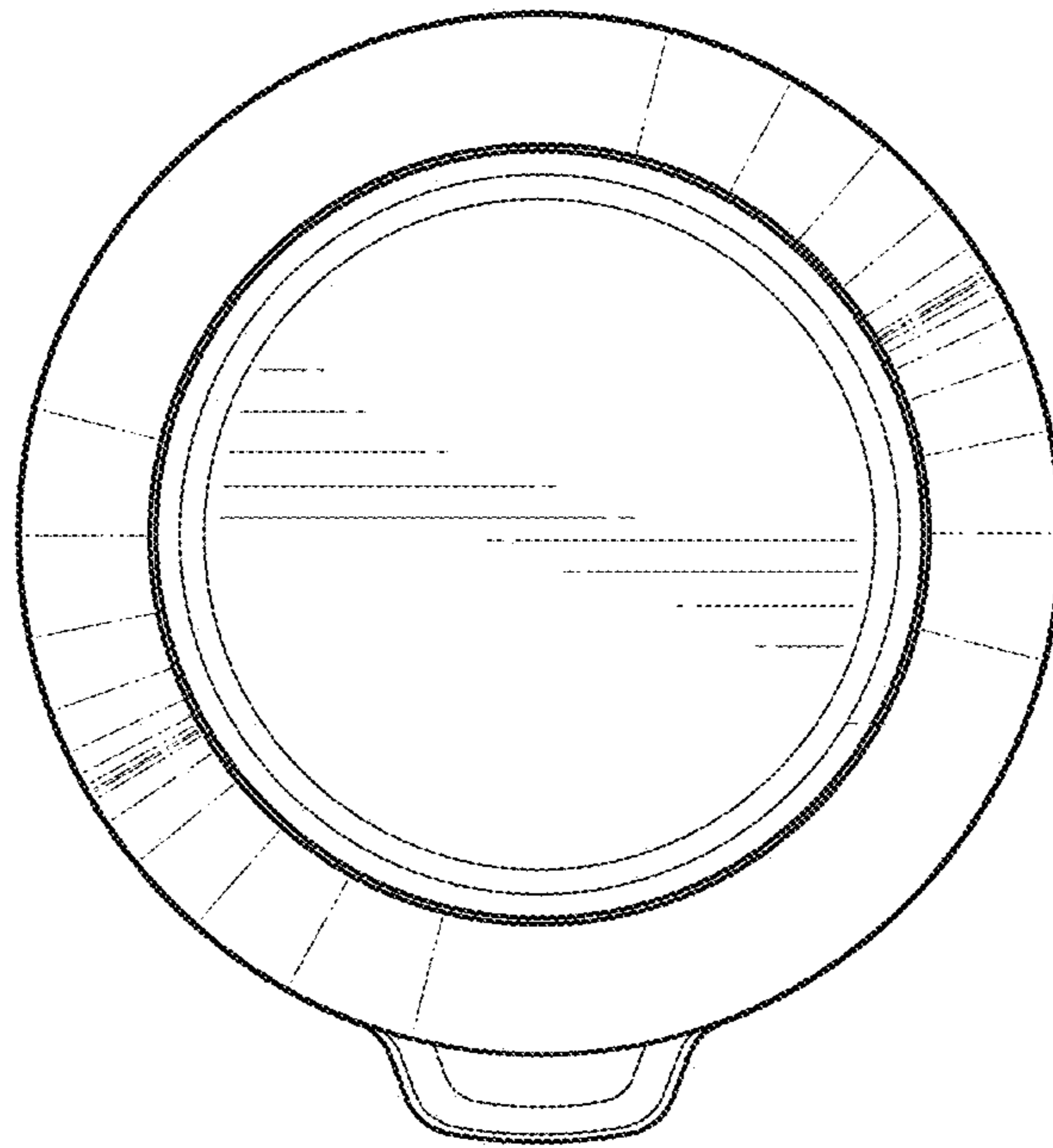


Fig. 6

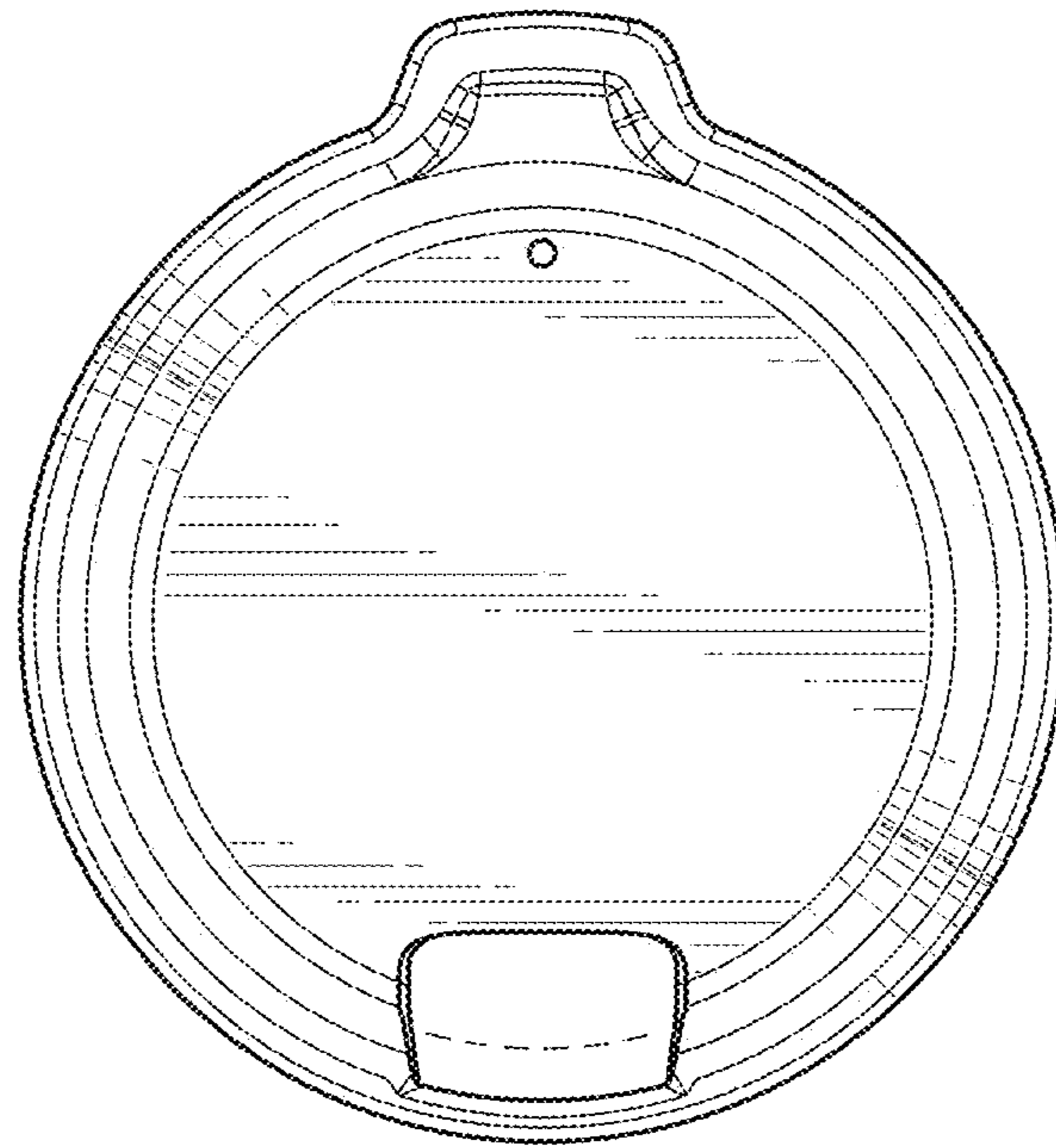


Fig. 7