



US00D873610S

(12) **United States Design Patent**
Stanton

(10) **Patent No.:** **US D873,610 S**

(45) **Date of Patent:** **** Jan. 28, 2020**

(54) **INSULATED TUMBLER WITH LID**

(71) Applicant: **Healthy Human, LLC**, Mt. Pleasant, SC (US)

(72) Inventor: **Richard John Stanton**, Mt. Pleasant, SC (US)

(73) Assignee: **Healthy Human, LLC**, Mt. Pleasant, SC (US)

(**) Term: **15 Years**

(21) Appl. No.: **29/630,145**

(22) Filed: **Dec. 19, 2017**

(51) **LOC (12) Cl.** **07-01**

(52) **U.S. Cl.**

USPC **D7/510**; D7/511; D7/532

(58) **Field of Classification Search**

USPC D7/507, 509, 510, 511, 523, 532, 533,
D7/536, 300.1, 608, 392.1, 396.2, 387,
D7/397, 398, 534; D9/435, 449;
220/200, 592.16, 592.17; D3/202
CPC A47J 43/27; A47J 41/02; A47J 41/0077;
A47G 19/22; A47G 19/2288; A47G
19/2205

See application file for complete search history.

(56) **References Cited**

U.S. PATENT DOCUMENTS

D417,819 S	*	12/1999	Kelly-Pollet	D7/510
D466,371 S	*	12/2002	Parker	D7/510
D516,859 S	*	3/2006	Zettle	D7/392.1
D568,107 S	*	5/2008	Bhavnani	D7/509
D569,183 S	*	5/2008	Blake	D7/509
D731,251 S	*	6/2015	Lane	D7/523
D790,921 S	*	7/2017	Lapsker	D7/510
D796,902 S	*	9/2017	Gordon	D7/510
D804,905 S	*	12/2017	Seiders	D7/510

D810,511 S	*	2/2018	Harrington, III	D7/511
D811,817 S	*	3/2018	Harrington, III	D7/510
D812,979 S	*	3/2018	Seiders	D7/532
D813,605 S	*	3/2018	Seiders	D7/532
D817,069 S	*	5/2018	Tosdale	D7/354
D819,406 S	*	6/2018	Rivera	D7/532
D820,045 S	*	6/2018	Harrington, III	D7/511
D822,428 S	*	7/2018	Thuma	D7/392.1
D833,818 S	*	11/2018	Sletten	D7/510
D842,028 S	*	3/2019	Melanson	D7/392.1
D845,064 S	*	4/2019	Mulhauser	D7/392.1
2003/0052126 A1	*	3/2003	Zettle	B65D 43/0212 220/254.3
2016/0174743 A1	*	6/2016	Childs	A47G 23/0233 220/740
2018/0310766 A1	*	11/2018	Lapsker	B65D 81/3886
2019/0092540 A1	*	3/2019	Spivey	B65D 51/18

* cited by examiner

Primary Examiner — Jae Liang

(74) *Attorney, Agent, or Firm* — Gregory Finch; Finch Paolino, LLC

(57) **CLAIM**

The ornamental design for an insulated tumbler with lid, as shown and described.

DESCRIPTION

FIG. 1 is an isometric view of an insulated tumbler with lid showing my new design;

FIG. 2 is a front view thereof;

FIG. 3 is a rear view thereof;

FIG. 4 is a left side view thereof;

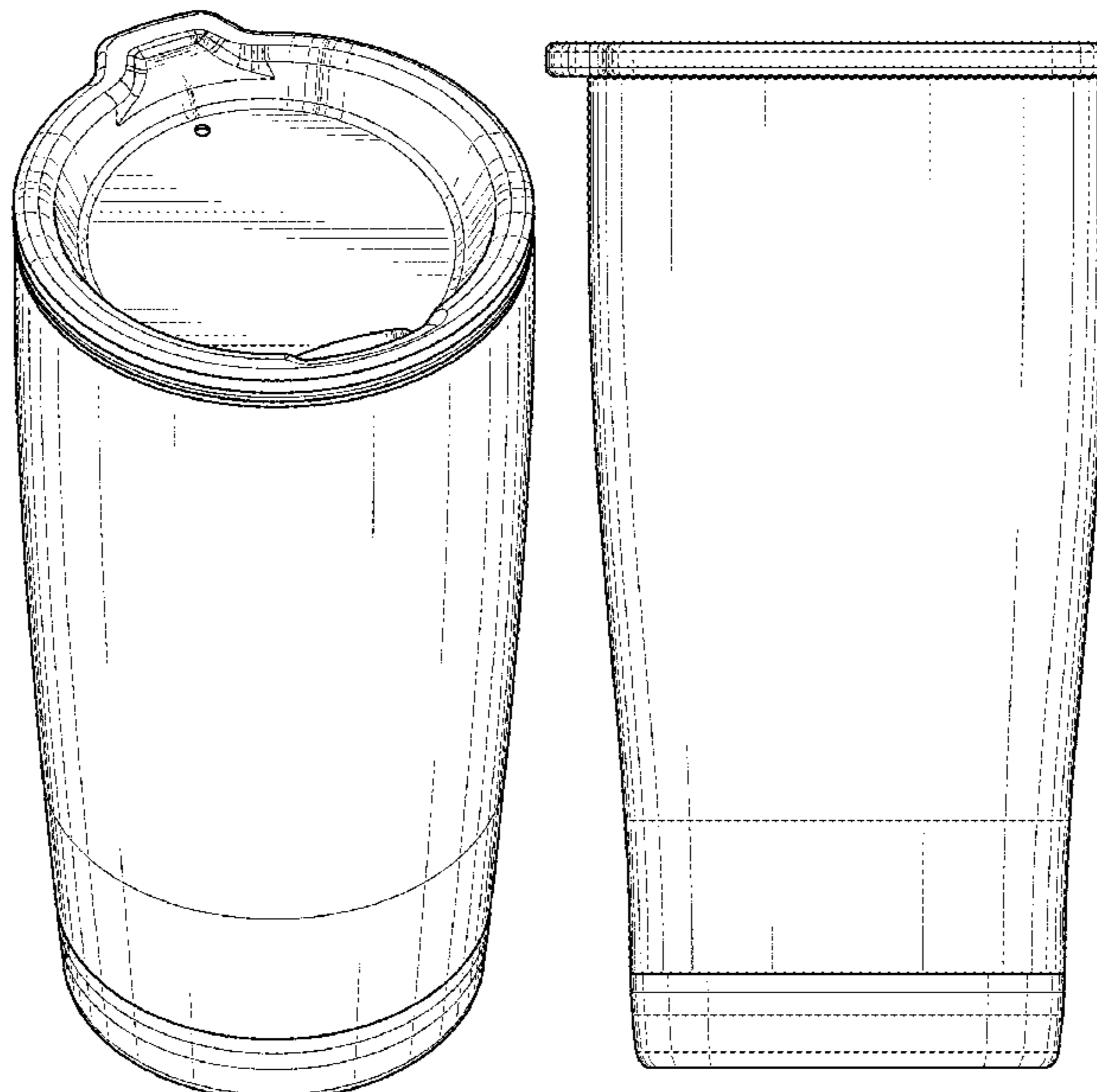
FIG. 5 is a right side view thereof;

FIG. 6 is a bottom view thereof; and,

FIG. 7 is a top view thereof.

The broken lines in the drawings depict portions of the insulated tumbler with lid that form no part of the claimed design.

1 Claim, 7 Drawing Sheets



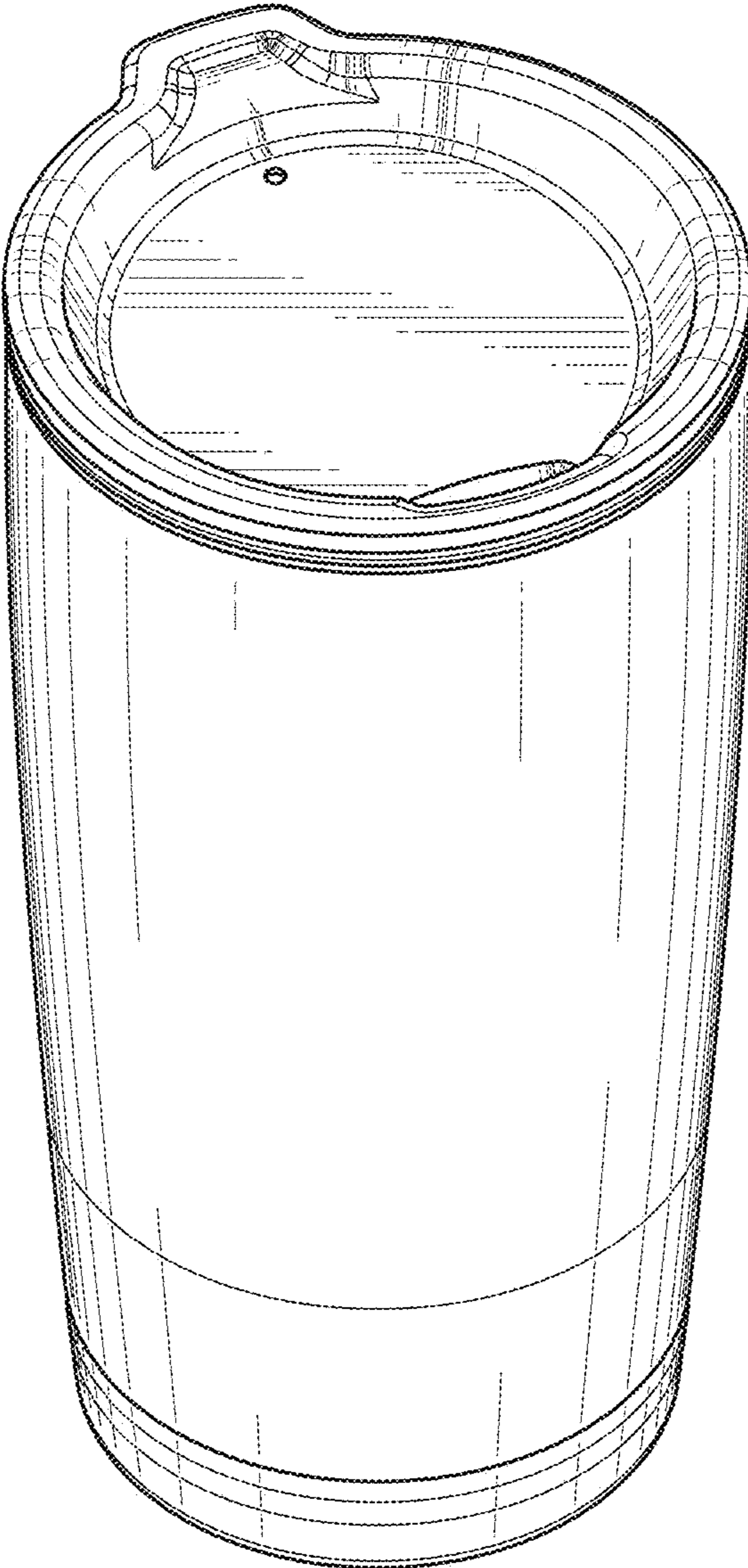


Fig. 1

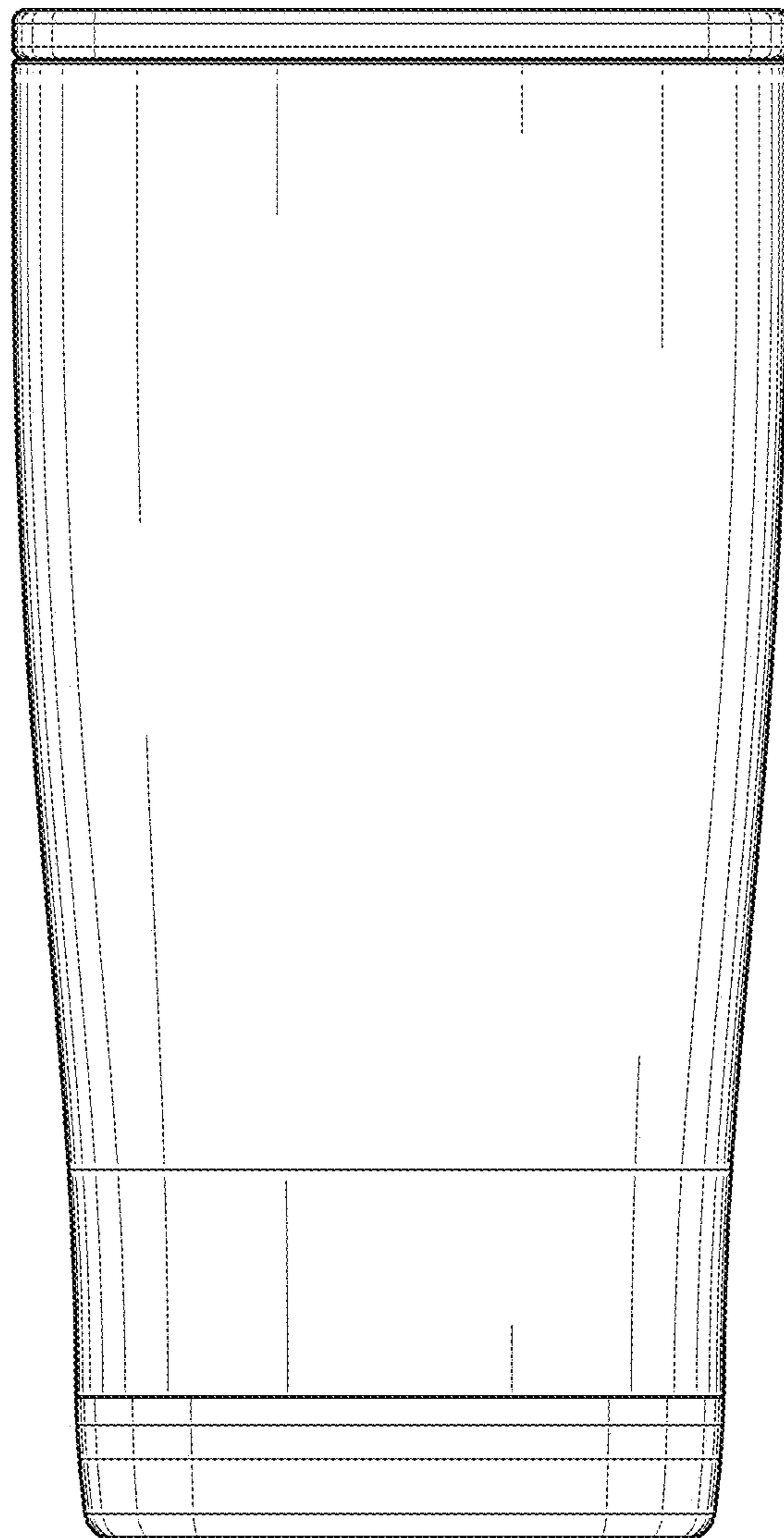


Fig. 2

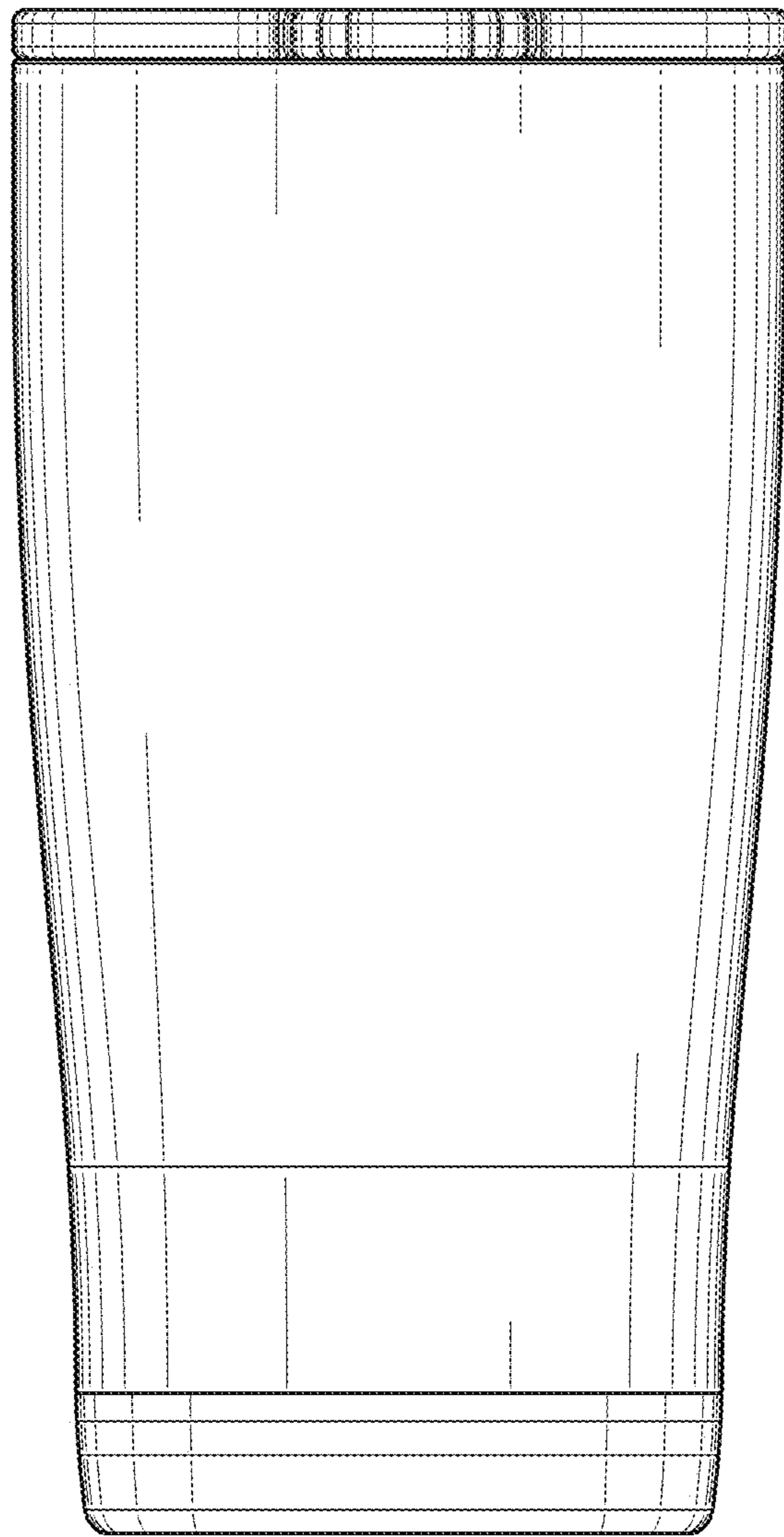


Fig. 3

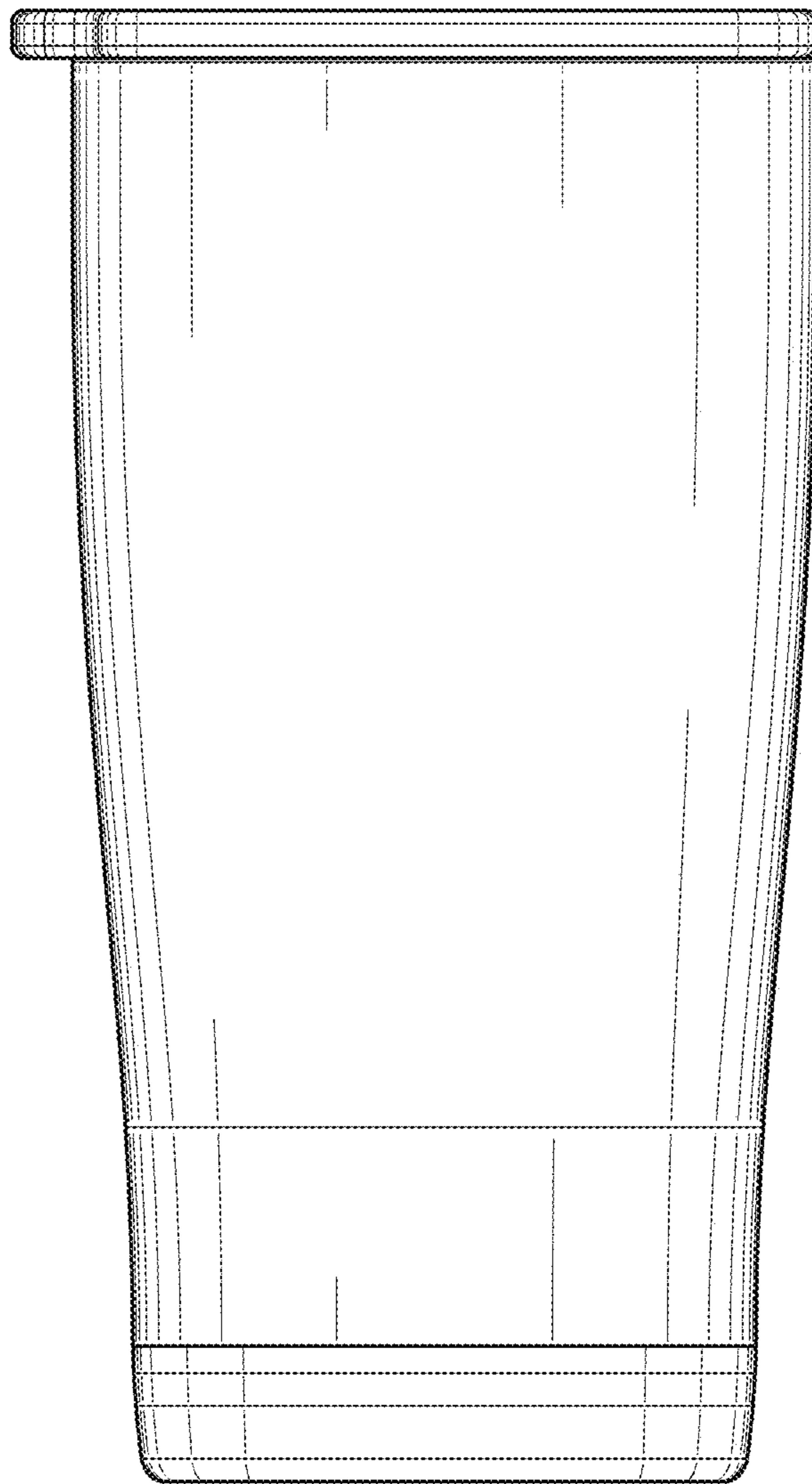


Fig. 4

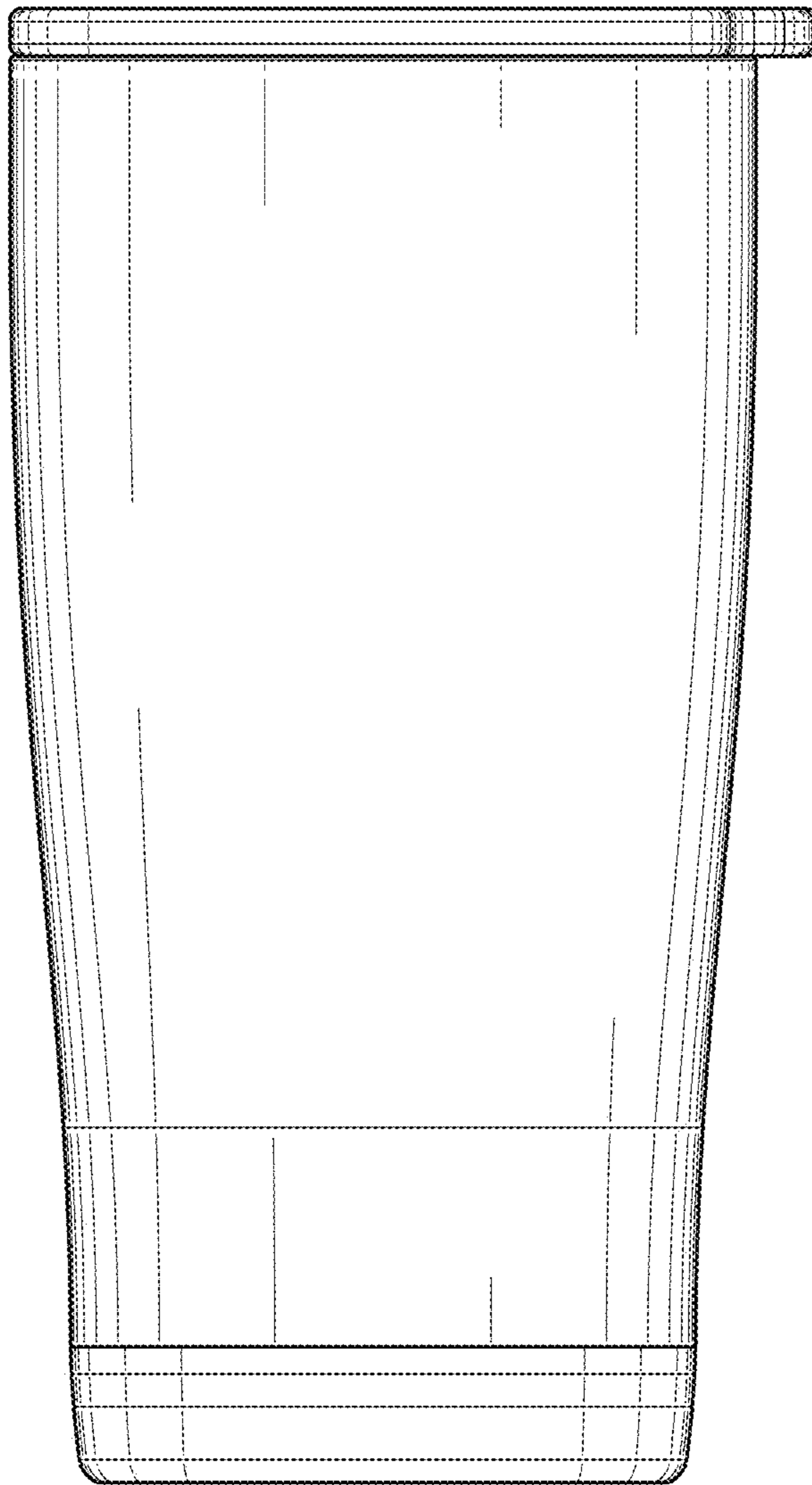


Fig. 5

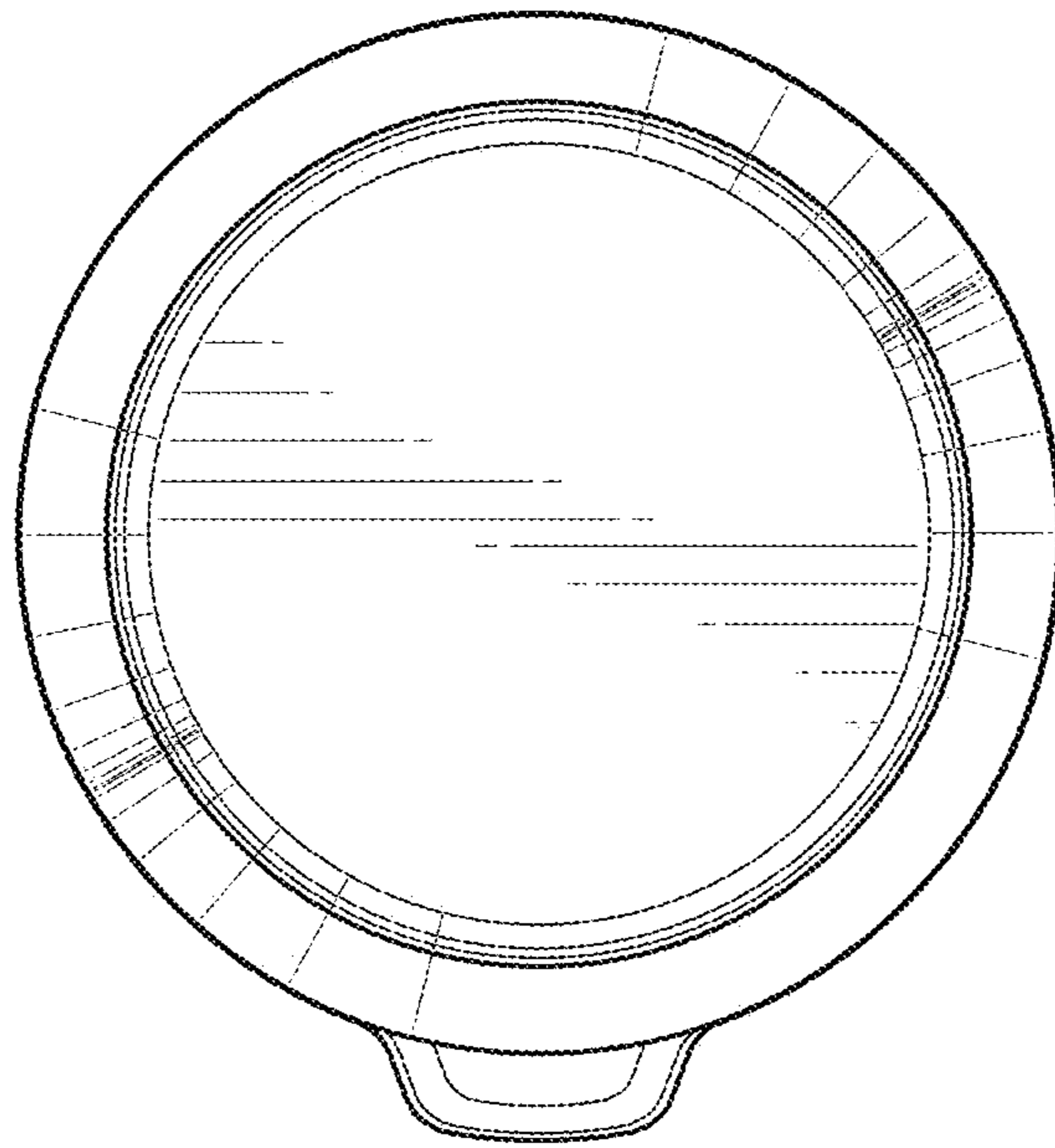


Fig. 6

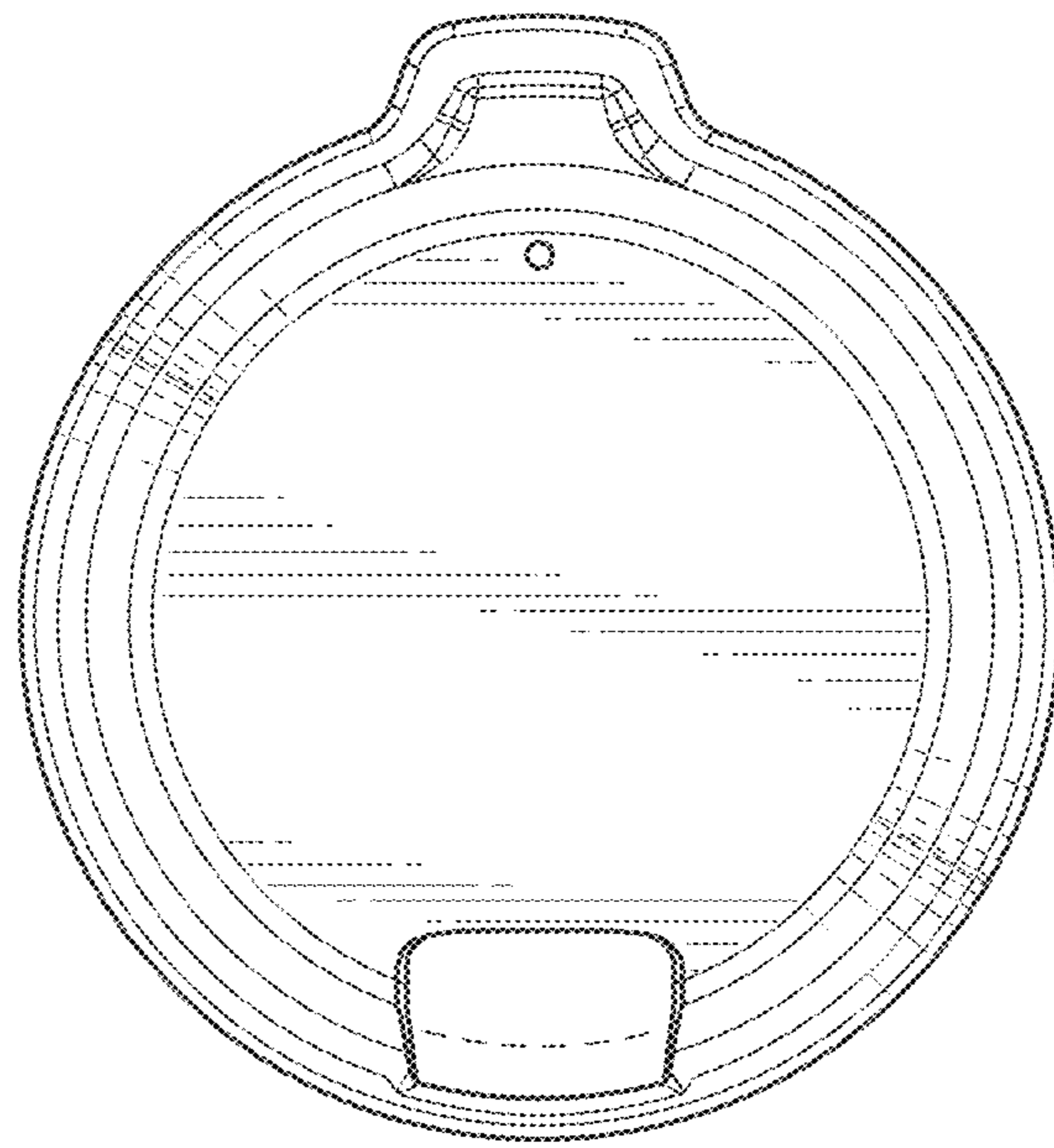


Fig. 7