



US00D873608S

(12) **United States Design Patent** (10) **Patent No.:** **US D873,608 S**  
**de Martrin-Donos et al.** (45) **Date of Patent:** **\*\* Jan. 28, 2020**

(54) **COFFEE DRIPPER**  
(71) Applicants: **Francois de Martrin-Donos**, Brooklyn, NY (US); **Vincent Valderrama**, Staten Island, NY (US)  
(72) Inventors: **Francois de Martrin-Donos**, Brooklyn, NY (US); **Vincent Valderrama**, Staten Island, NY (US)

D585,233 S \* 1/2009 Bodum ..... D7/317  
D642,433 S \* 8/2011 Tuan ..... D7/400  
D670,539 S \* 11/2012 Starr ..... D7/399  
D684,009 S \* 6/2013 Bell ..... D7/213  
D778,668 S \* 2/2017 Hojo ..... D7/400  
D828,089 S \* 9/2018 Schueler ..... D7/400  
2009/0178572 A1\* 7/2009 Wolcott ..... A47J 31/005  
99/323

(73) Assignee: **Helen of Troy Limited**, St. Michael (BB)  
(\*\*) Term: **15 Years**

**OTHER PUBLICATIONS**  
Coffee Dripper| posted at Amazon.com,posted on Aug. 1, 2017, © 1996-2018 Amazon.com, [online], [site visited Feb. 16, 2019]. Available from Internet, <URL: https://www.amazon.com/OXO-Good-Grips-Glass-Pour-Over/dp/B074GG3VX5/> (Year : 2017).\*

(21) Appl. No.: **29/668,961**

\* cited by examiner

(22) Filed: **Nov. 3, 2018**

*Primary Examiner* — Derrick E Holland  
*Assistant Examiner* — Andrew Kerr  
(74) *Attorney, Agent, or Firm* — Rankin, Hill & Clark LLP

**Related U.S. Application Data**

(62) Division of application No. 29/596,523, filed on Mar. 8, 2017.

(51) **LOC (12) Cl.** ..... **07-99**

(52) **U.S. Cl.**  
USPC ..... **D7/400**

(58) **Field of Classification Search**  
USPC ..... D7/305, 309, 310, 312, 396.1, 396.2, D7/397, 399, 400, 401, 507, 523, 533, D7/535, 536; D9/434, 435  
CPC ..... A47J 31/005; A47J 31/06; A47J 31/0615; A47J 31/0626; A47G 19/22  
See application file for complete search history.

(57) **CLAIM**

The ornamental design for a coffee dripper, as shown, and described.

(56) **References Cited**

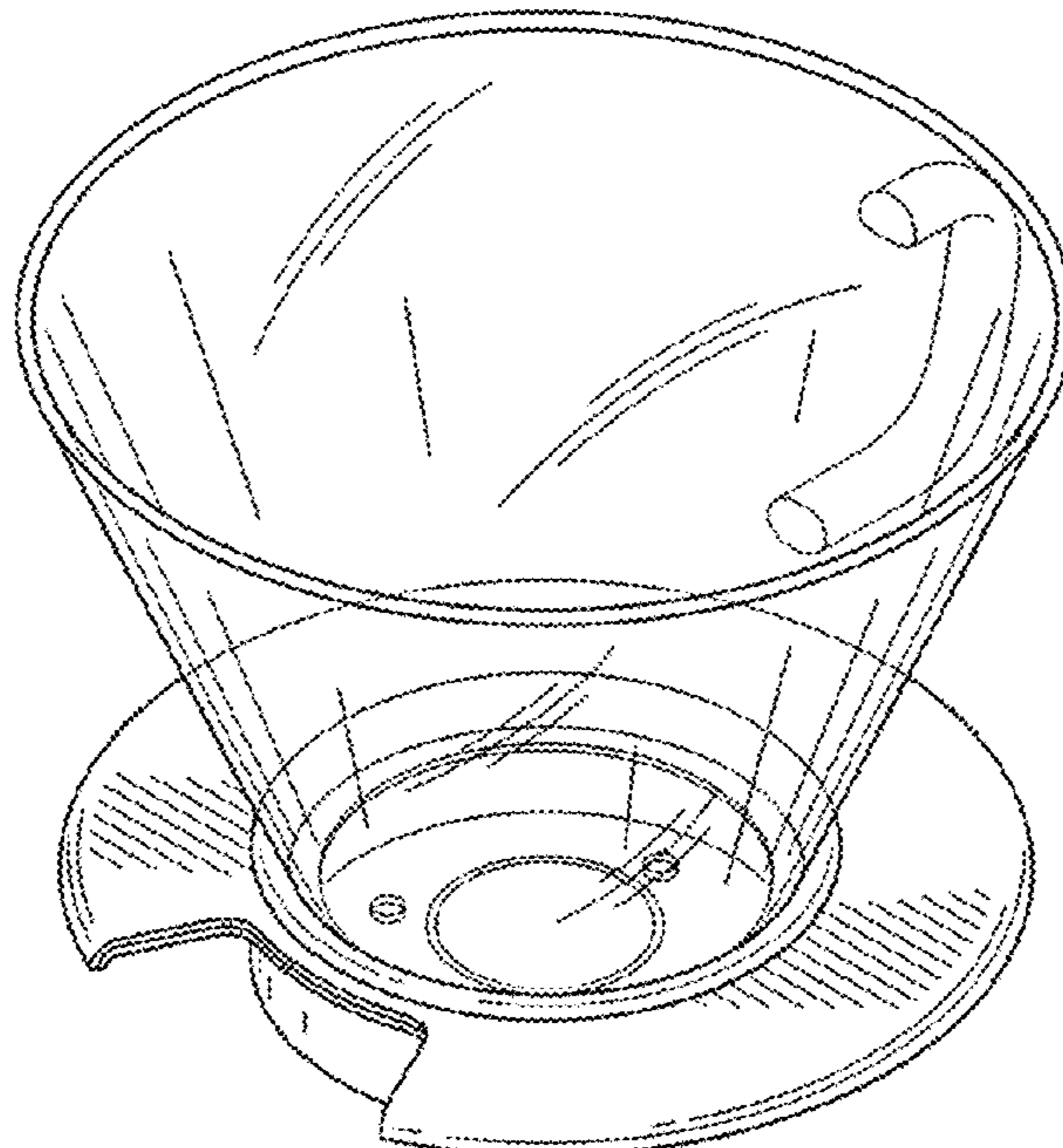
**U.S. PATENT DOCUMENTS**

D274,115 S \* 6/1984 Gavin ..... D7/400  
D564,832 S \* 3/2008 Bodum ..... D7/399

**DESCRIPTION**

FIG. 1 is a perspective view of a coffee dripper showing our new design;  
FIG. 2 is a front view thereof;  
FIG. 3 is a rear view thereof;  
FIG. 4 is a side view thereof; and,  
FIG. 5 is a top view thereof.

**1 Claim, 5 Drawing Sheets**



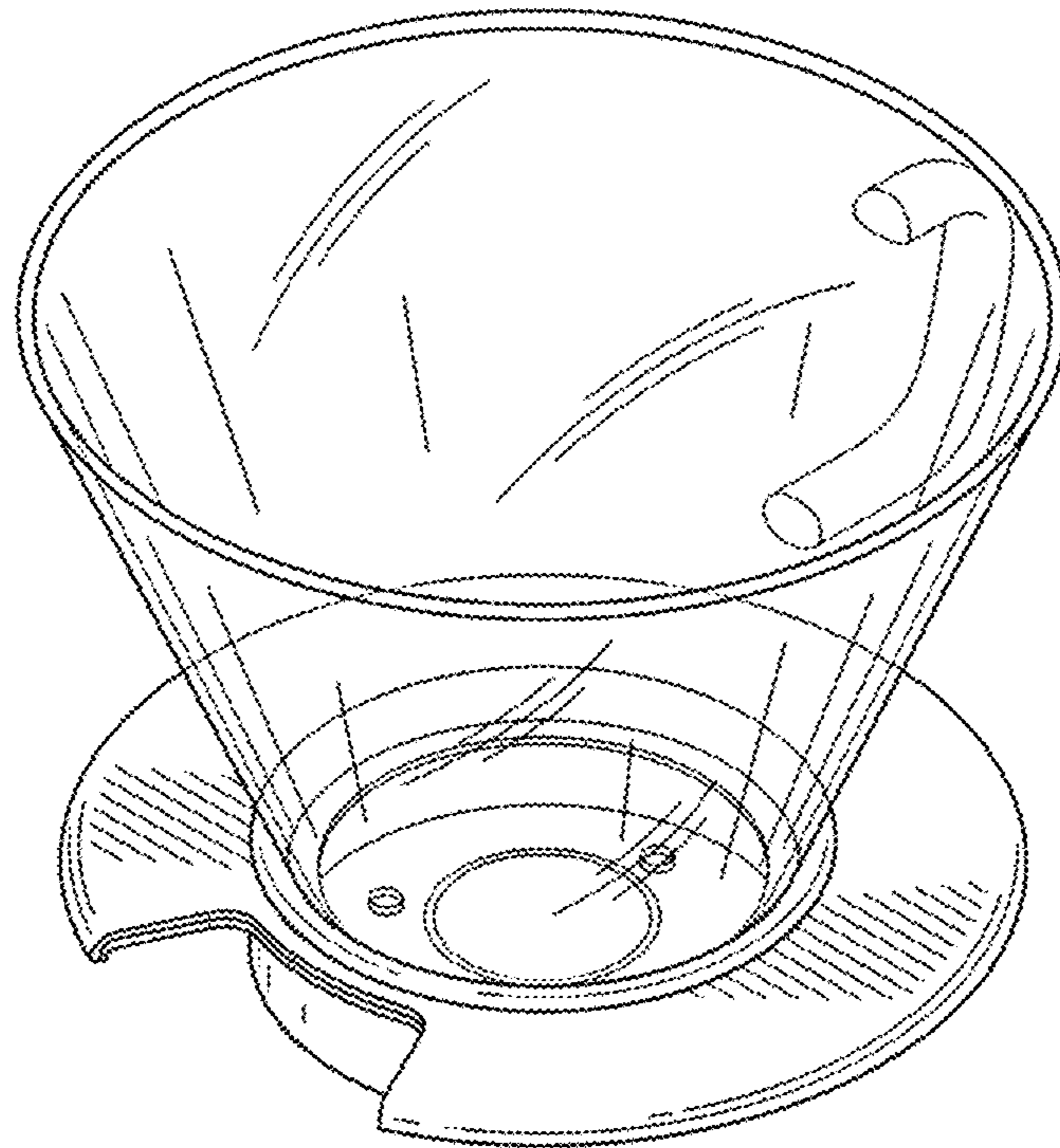


FIG. 1

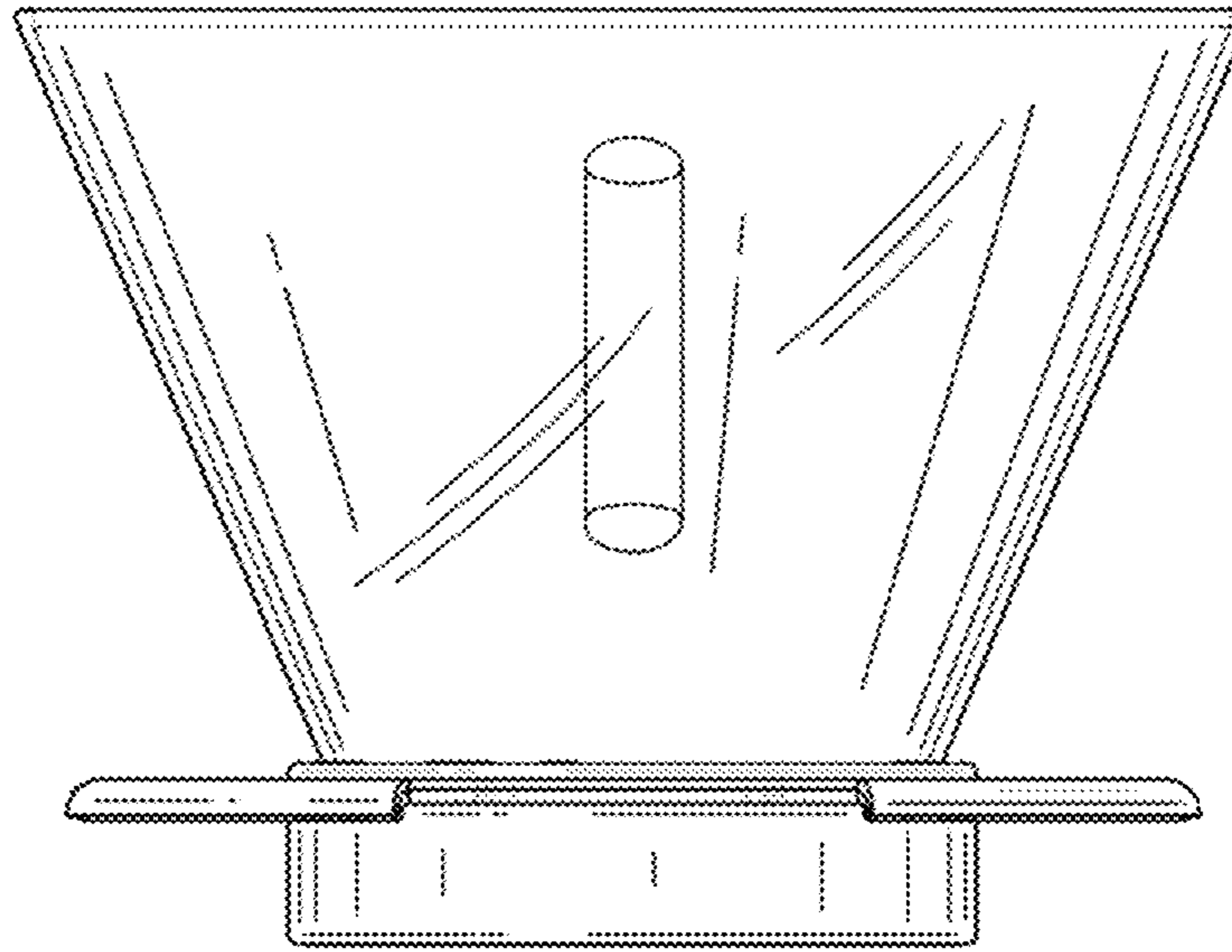


FIG. 2

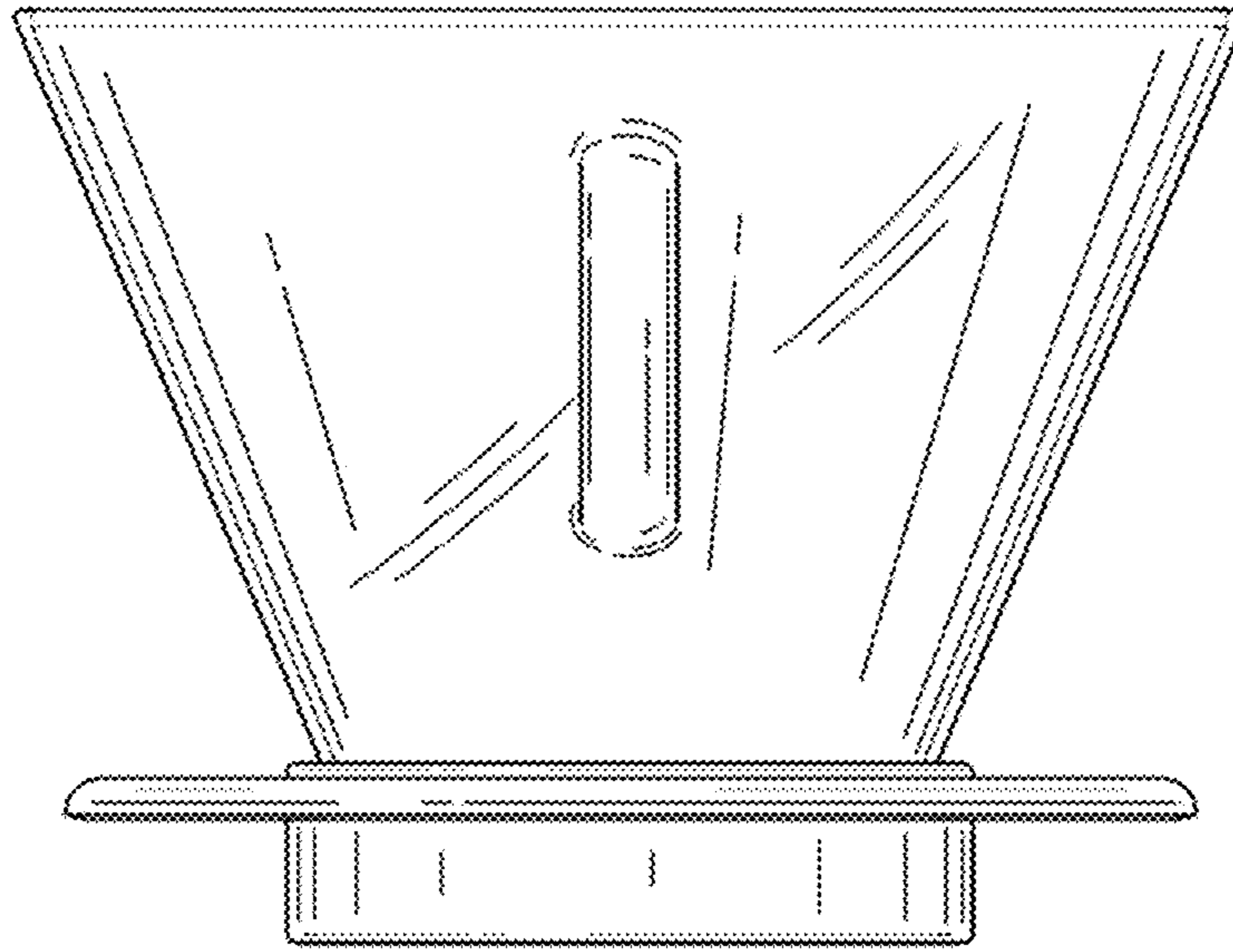


FIG. 3

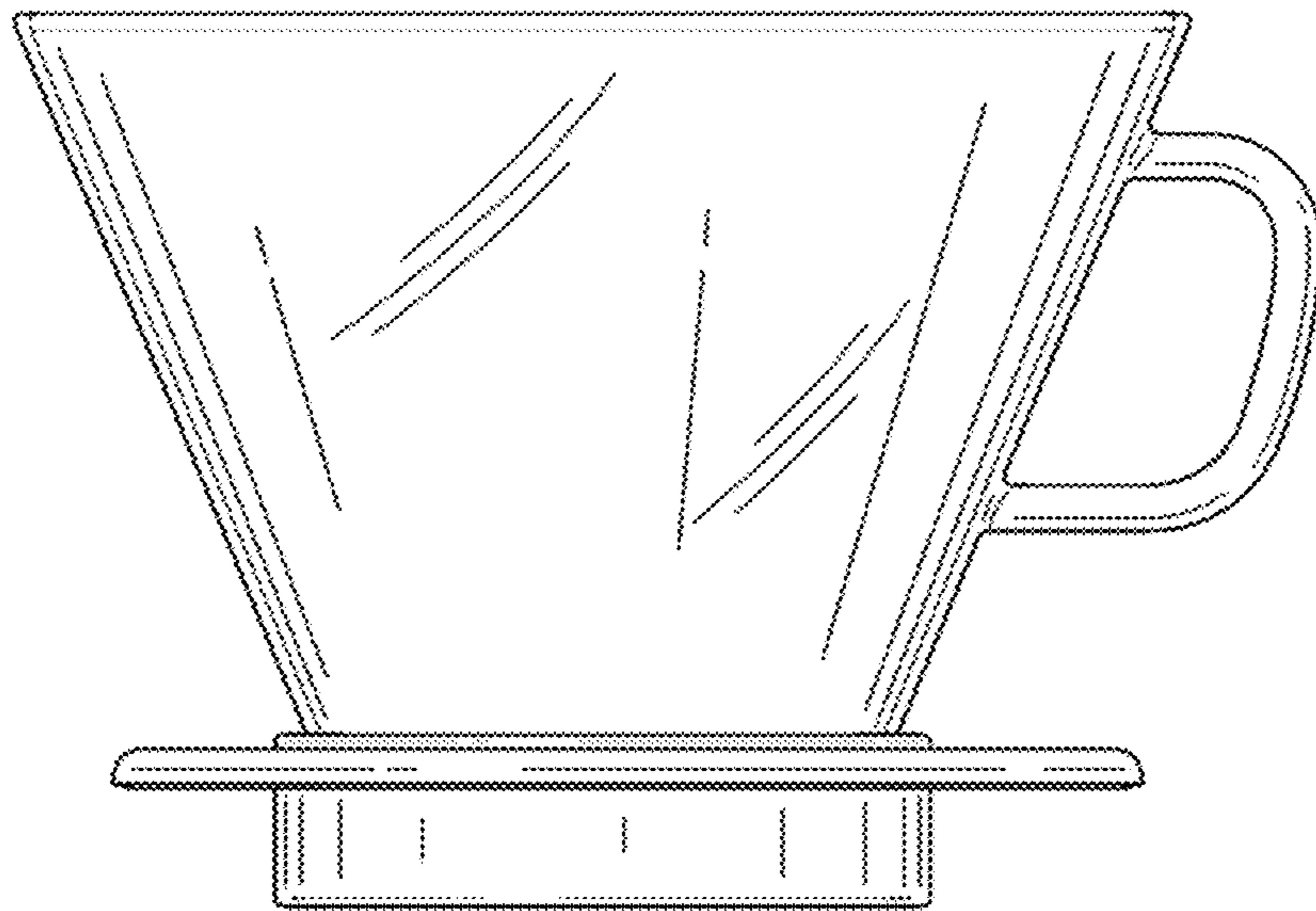


FIG. 4

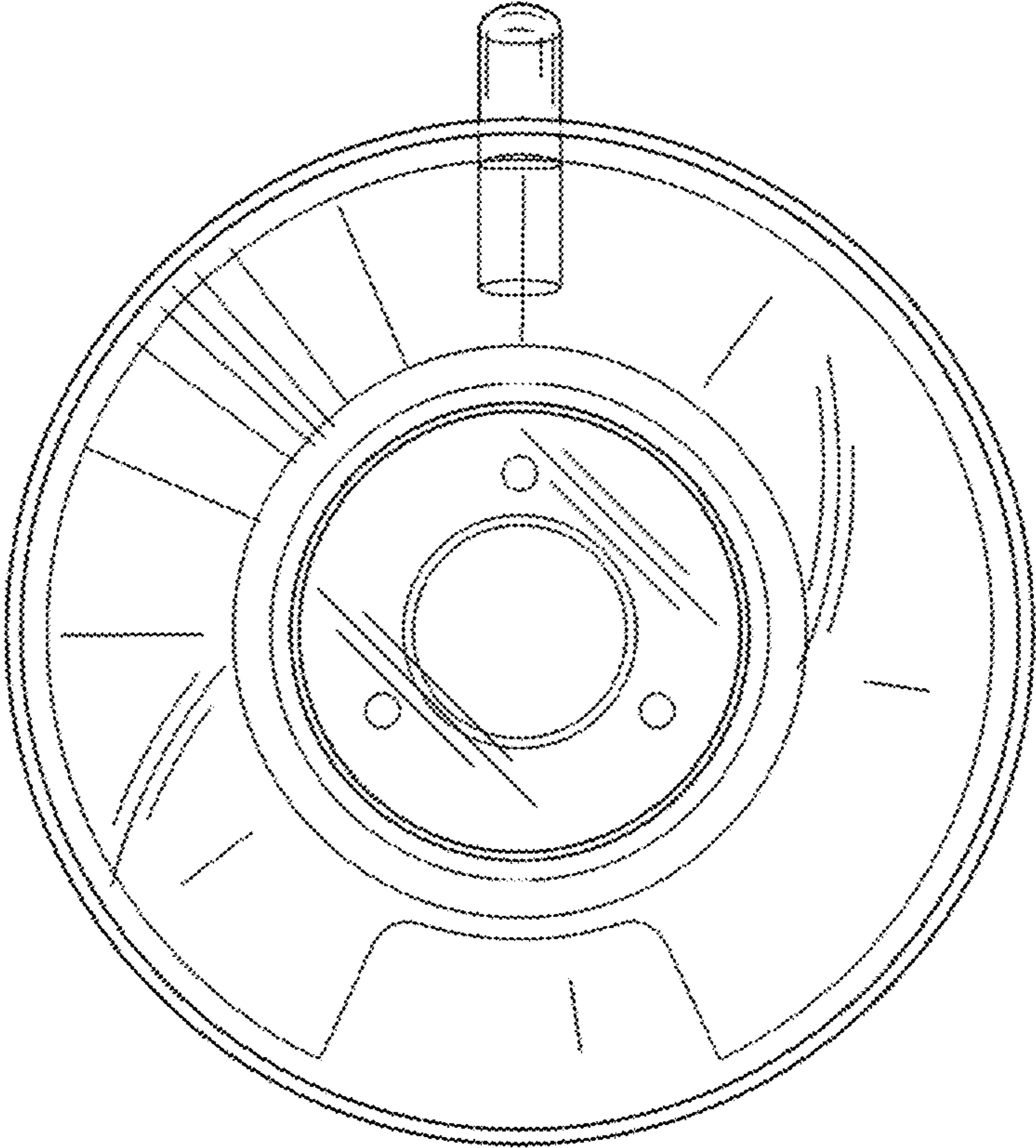


FIG. 5