



US00D873606S

(12) **United States Design Patent**
Young et al.

(10) **Patent No.:** **US D873,606 S**
(45) **Date of Patent:** **** Jan. 28, 2020**

(54) **WALL-MOUNTED WATER BOTTLE FILLING STATION**

(71) Applicant: **Acorn Engineering Company**, City of Industry, CA (US)

(72) Inventors: **David A. Young**, Rancho Cucamonga, CA (US); **Darryl M. Boeltl**, Whittier, CA (US); **Edward Barry Knoles**, Duarte, CA (US)

(73) Assignee: **Acorn Engineering Company**, City of Industry, CA (US)

(**) Term: **15 Years**

(21) Appl. No.: **29/612,909**

(22) Filed: **Aug. 4, 2017**

(51) **LOC (12) Cl.** **07-99**

(52) **U.S. Cl.**
USPC **D7/397; D7/304; D23/201**

(58) **Field of Classification Search**
USPC **D7/300, 306, 387, 397, 304; D23/201**
CPC .. **A47J 31/00; A47J 31/44; B67D 1/06; F25D 23/00; E03B 9/00; E03B 9/20**
See application file for complete search history.

(56) **References Cited**

U.S. PATENT DOCUMENTS

D642,849 S	*	8/2011	Wang	D7/306
D647,354 S	*	10/2011	Wang	D7/306
D660,636 S	*	5/2012	Wang	D7/306
D677,509 S	*	3/2013	Wang	D7/306
D787,250 S	*	5/2017	Walton	D7/306
D828,709 S	*	9/2018	Wang	D7/307

OTHER PUBLICATIONS

Drinking Fountain | posted at Amazon.com, posted on Apr. 12, 2010, © 1996-2019 Amazon.com, [online], [site visited Apr. 10, 2019]. Available from Internet, <URL: <https://www.amazon.com/Elkay-LZS8WSLK-Drinking-Fountain-Station/dp/B0038YCQQQ/>> (Year: 2010).*

* cited by examiner

Primary Examiner — Derrick E Holland

Assistant Examiner — Andrew Kerr

(74) *Attorney, Agent, or Firm* — Eric J. Sosenko; Jonathan P. O'Brien; Honigman LLP

(57) **CLAIM**

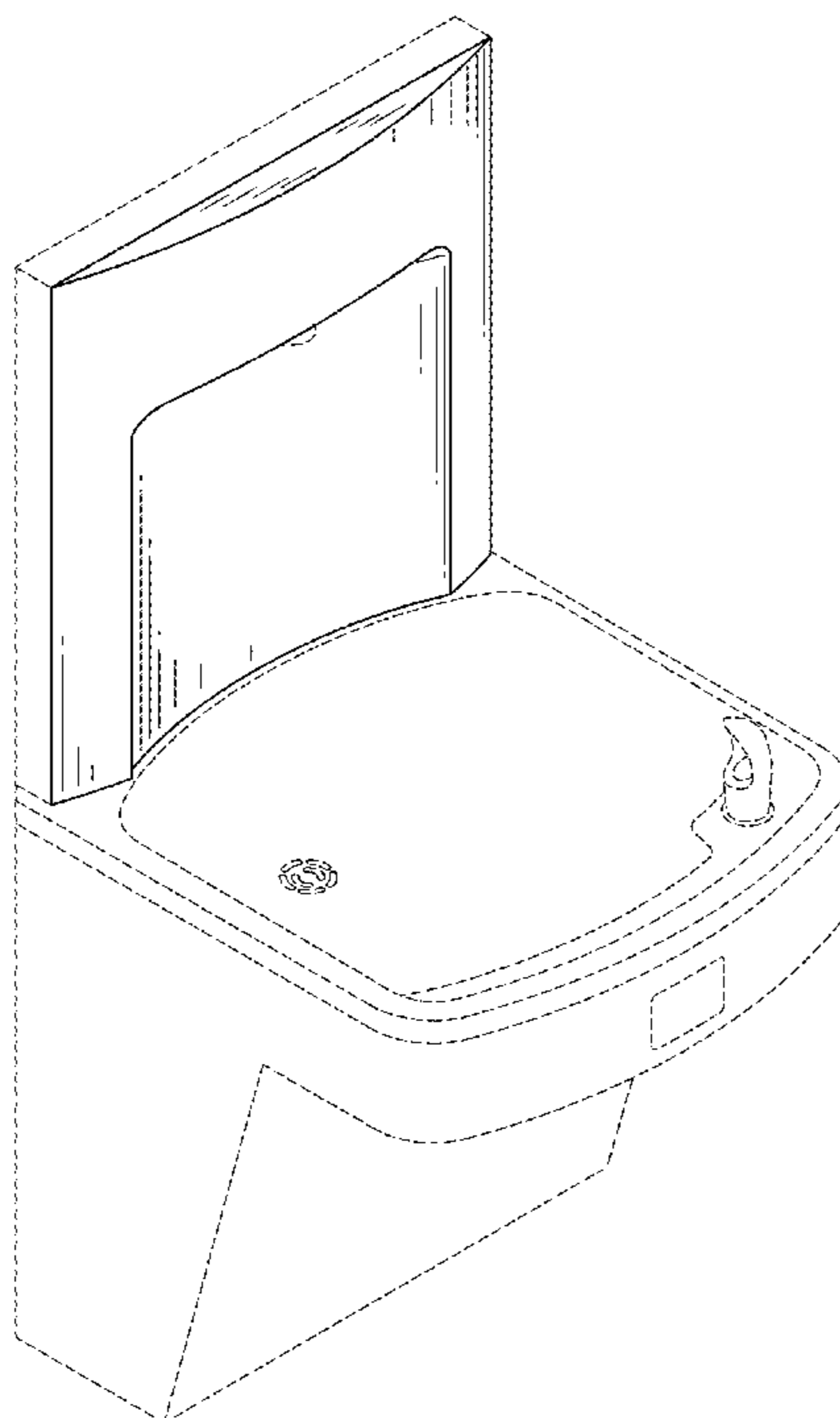
The ornamental design for a wall-mounted water bottle filling station, as shown and described.

DESCRIPTION

FIG. 1 is a top-left quartering perspective view of wall-mounted water bottle filling station showing our new design; FIG. 2 is bottom-right perspective thereof; FIG. 3 is a front view thereof; FIG. 4 is a left side view thereof; FIG. 5 is a right side view thereof; FIG. 6 is a top view thereof; FIG. 7 is a bottom view thereof; and, FIG. 8 is a cross-sectional view thereof, generally taken along line 8-8 in FIG. 3.

Broken lines in the figures are for illustrative purposes only and are not part of the claimed design. Shade lines having a combination of long and short lines in the figures show contour and not surface ornamentation.

1 Claim, 7 Drawing Sheets



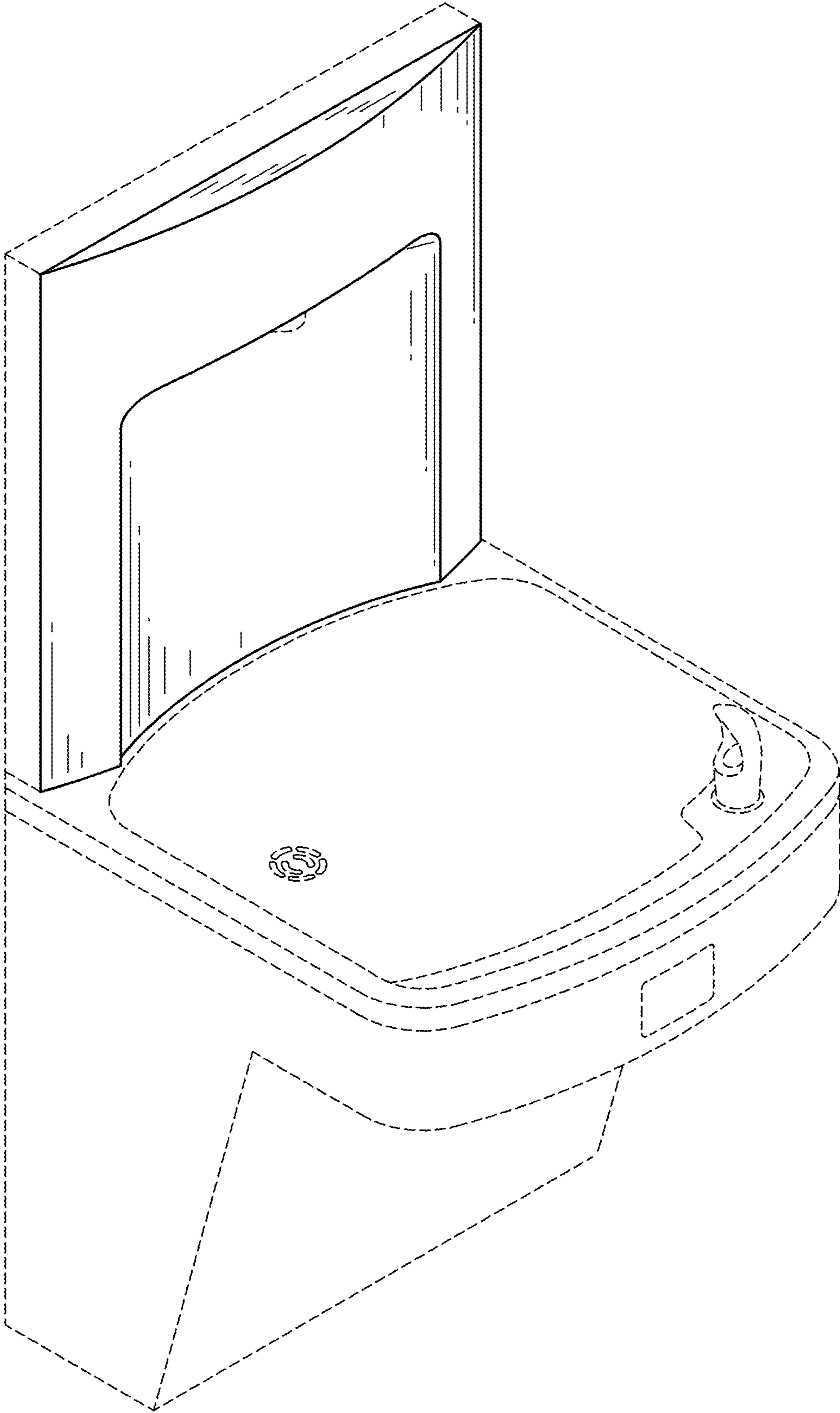


FIG. 1

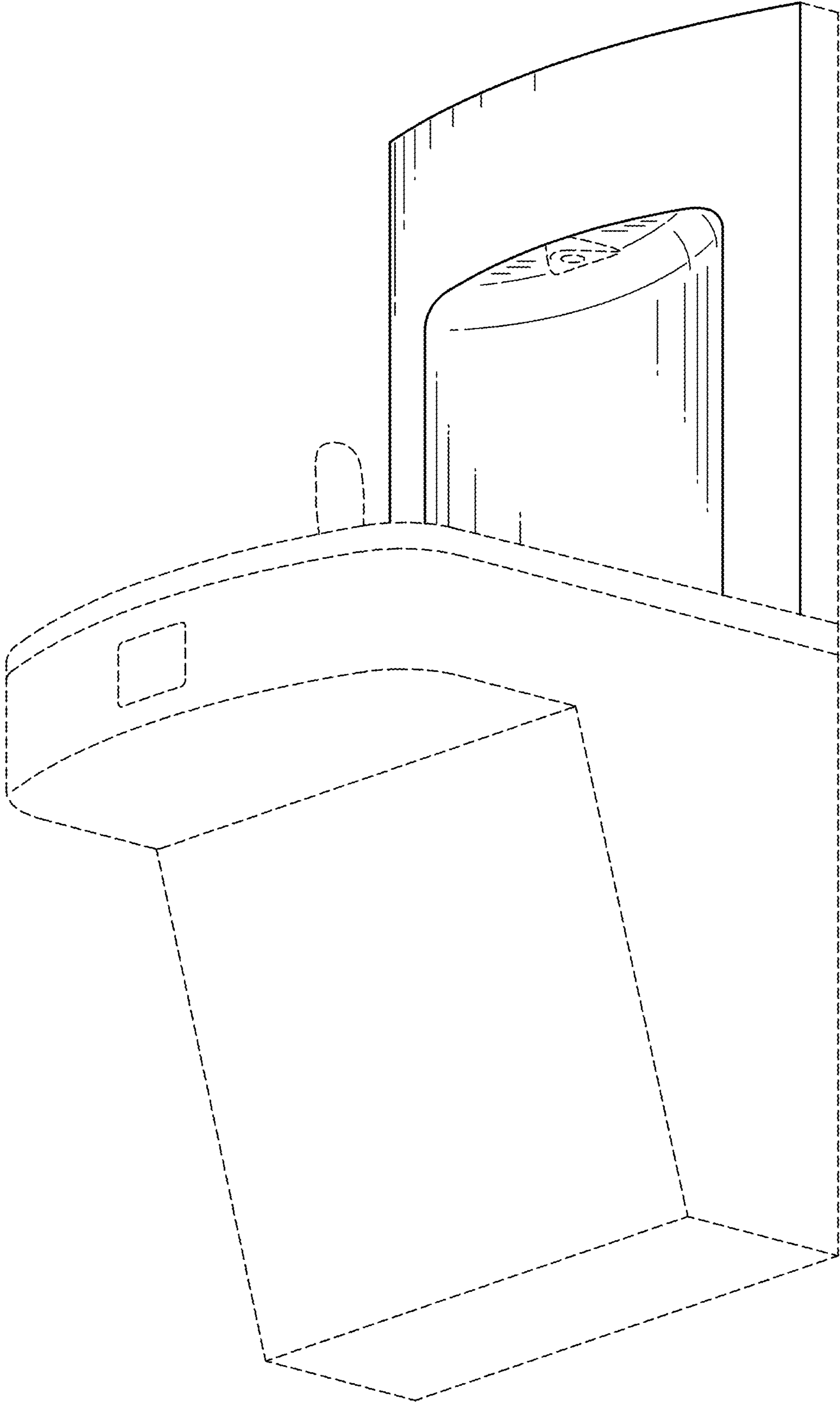


FIG. 2

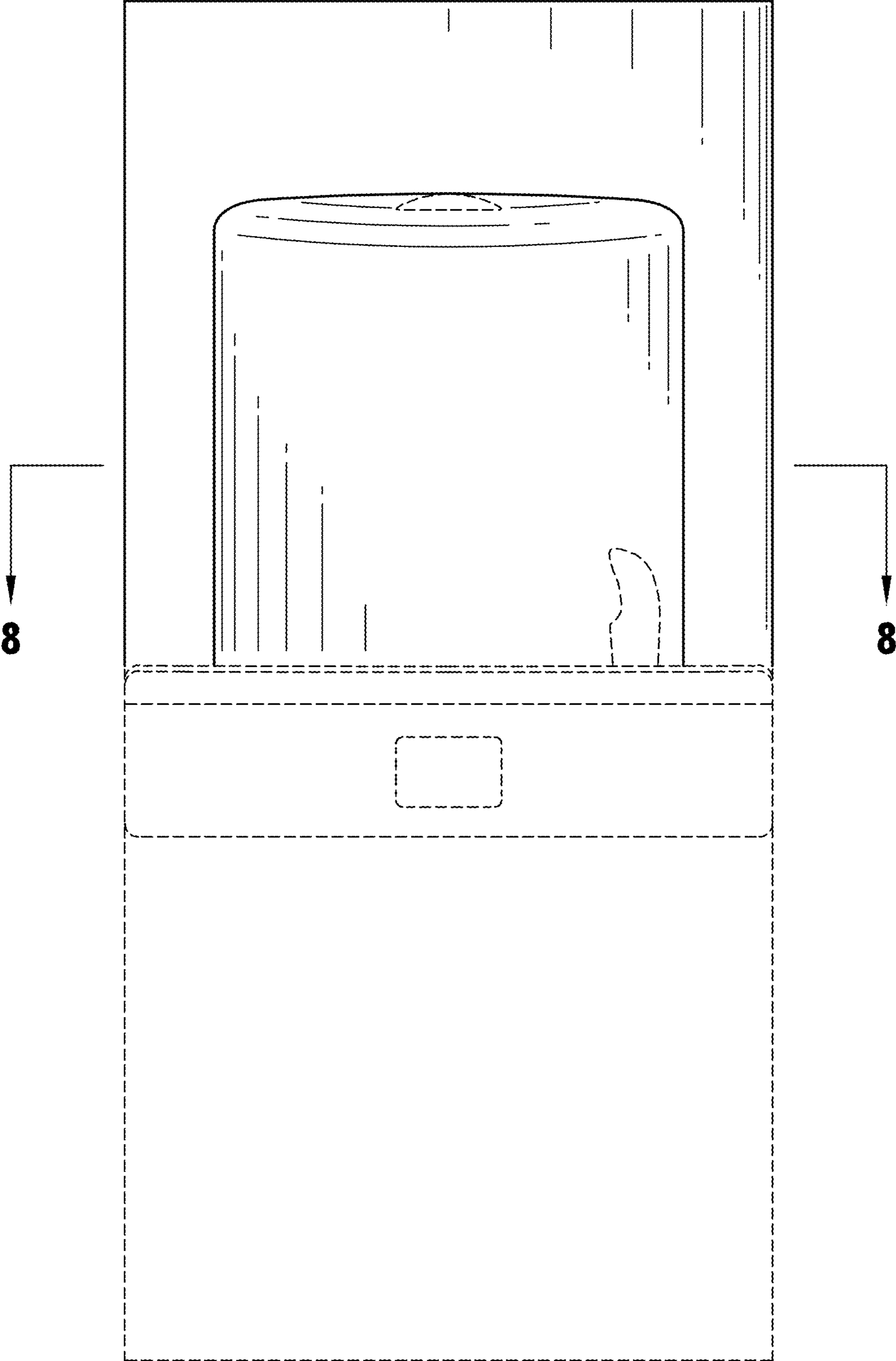


FIG. 3

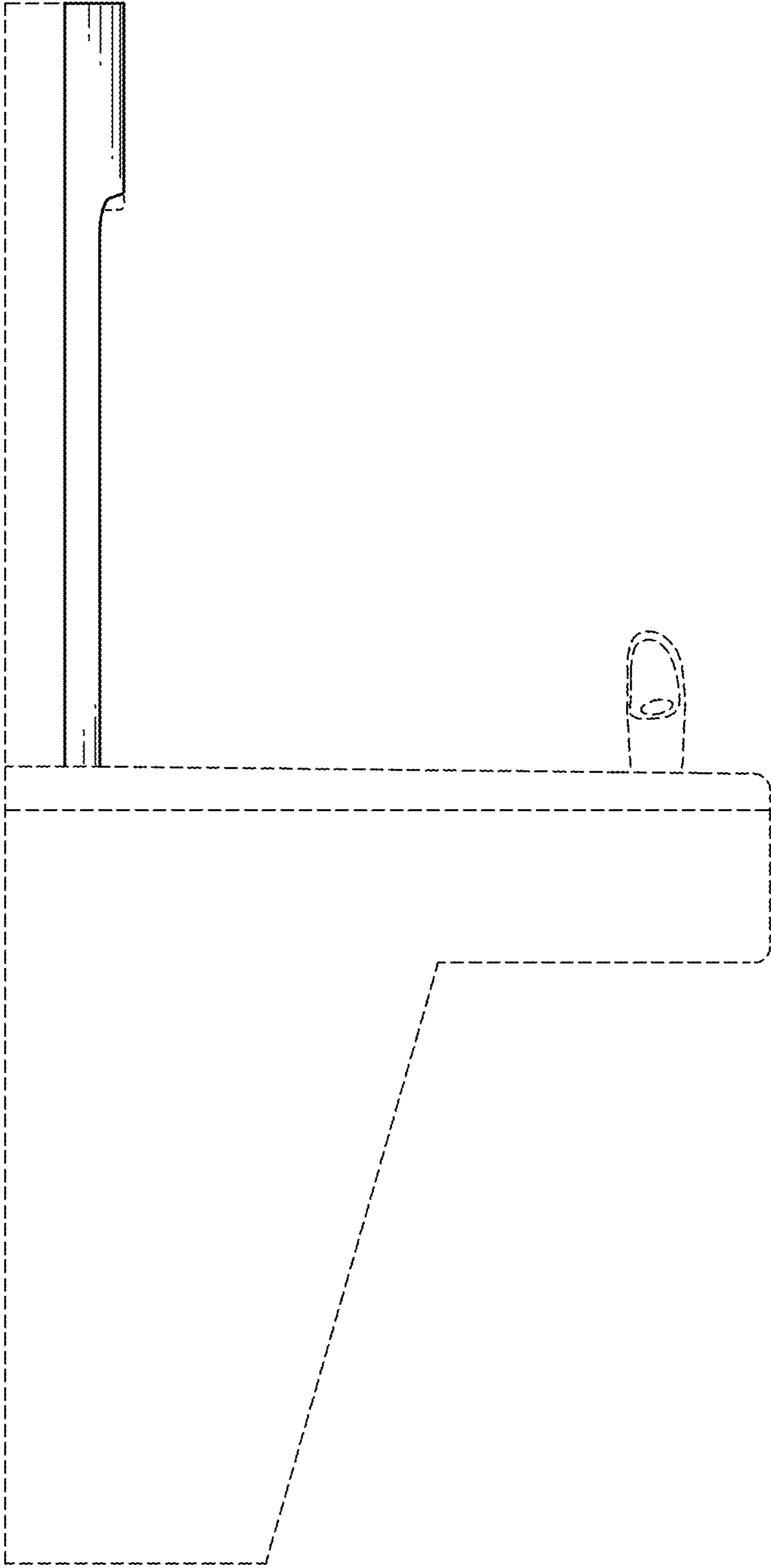


FIG. 4

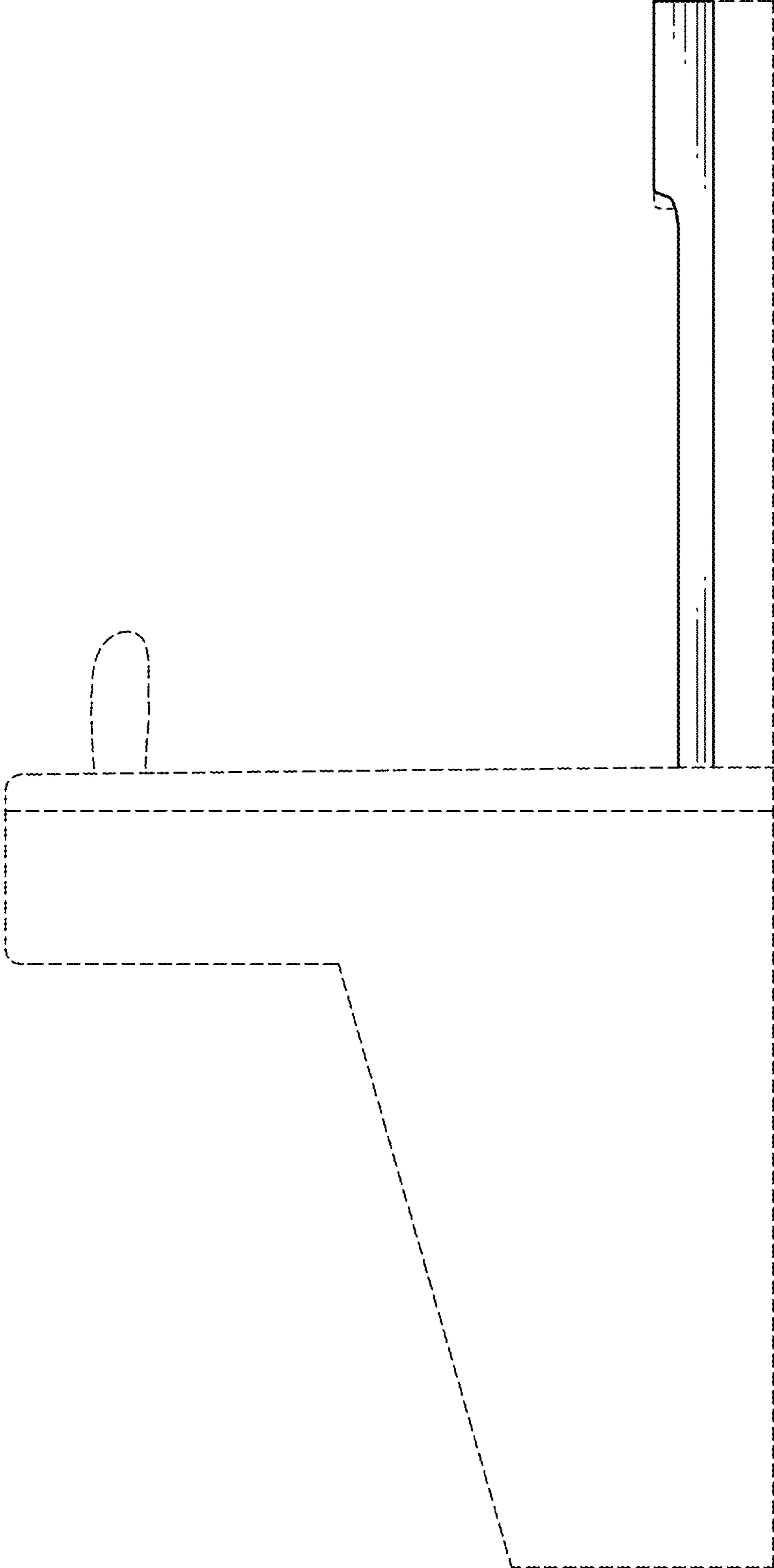


FIG. 5

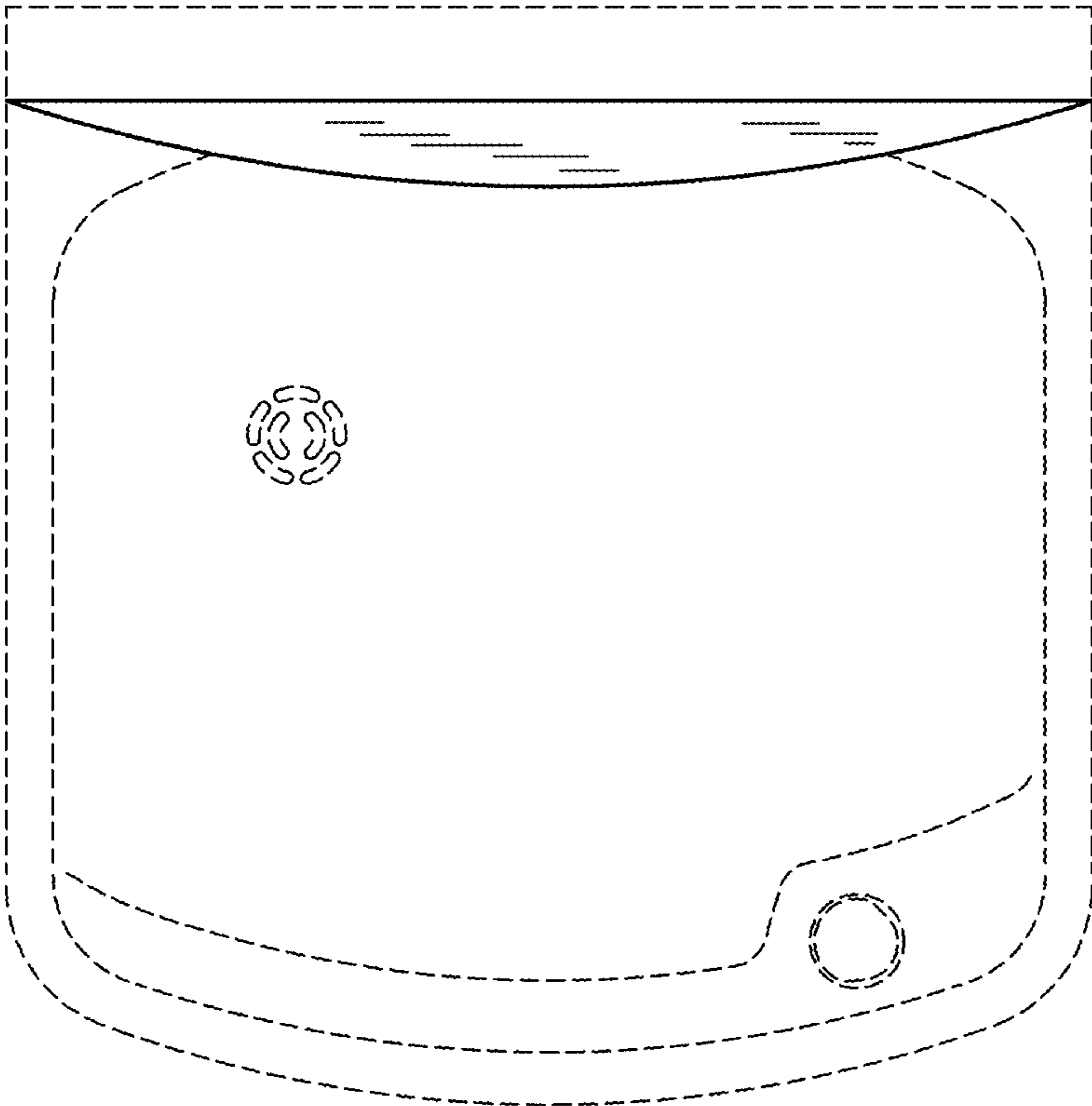


FIG. 6

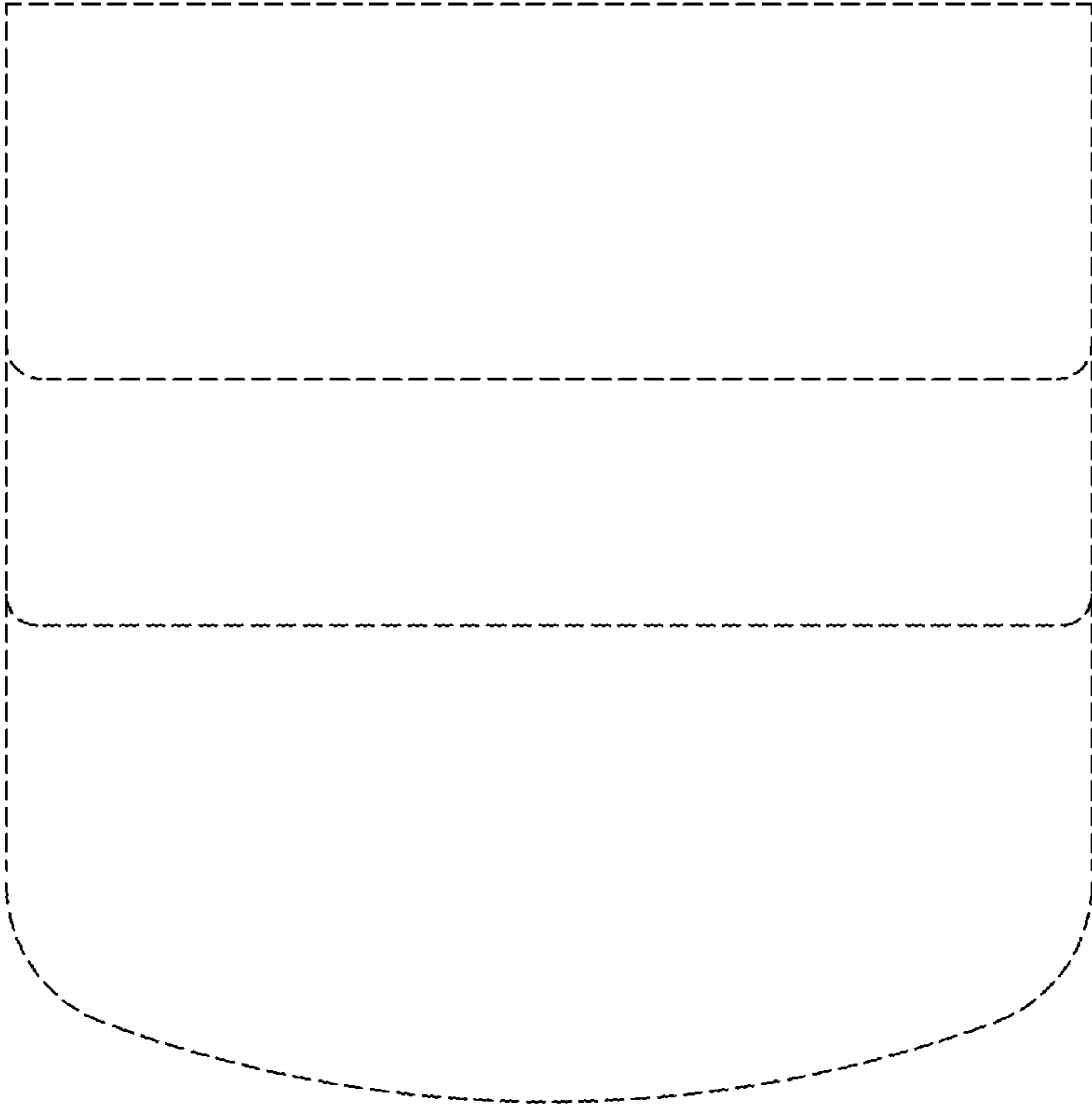


FIG. 7

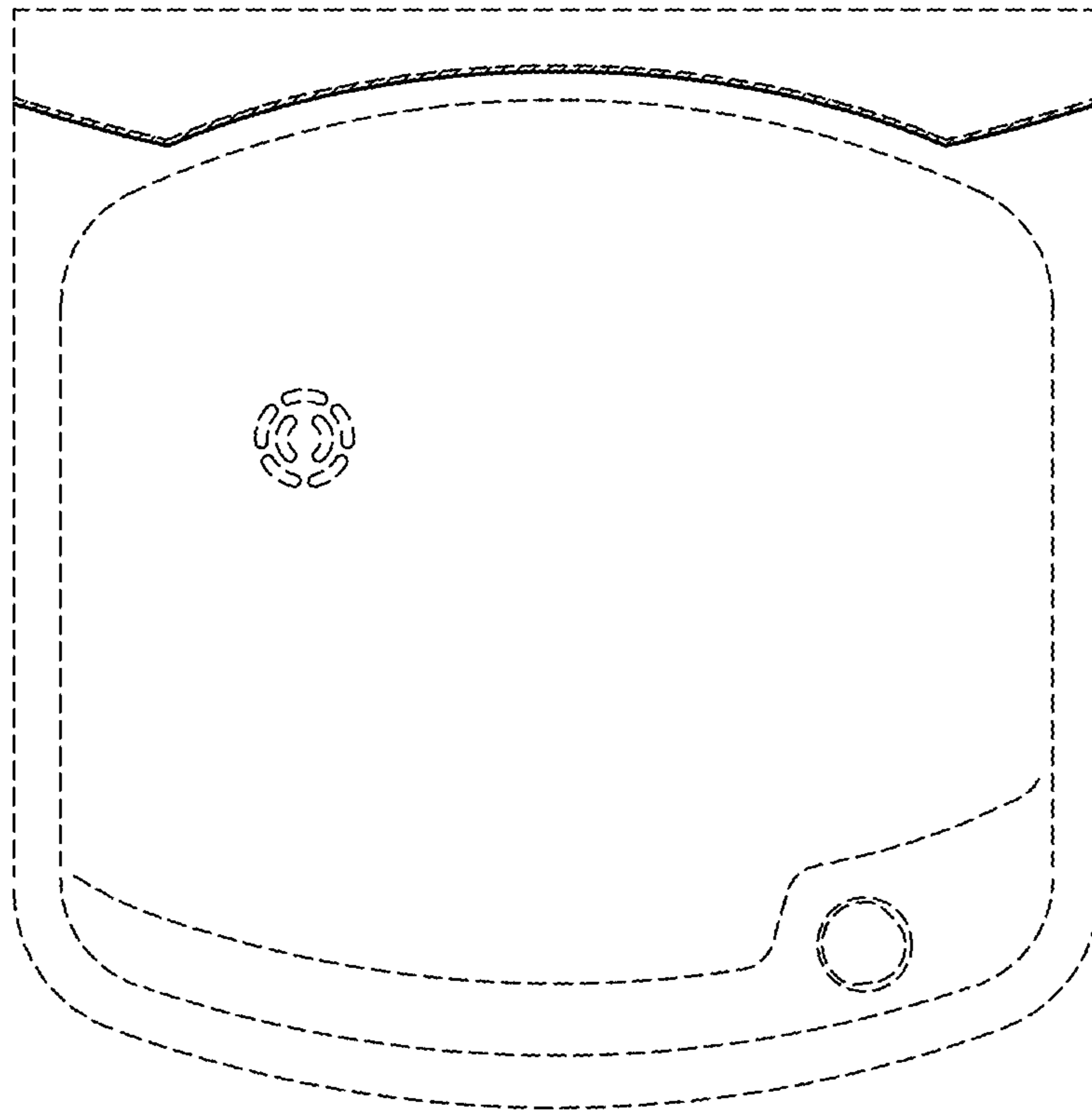


FIG. 8