



US00D873603S

(12) **United States Design Patent** (10) **Patent No.:** **US D873,603 S**
Diener et al. (45) **Date of Patent:** **** Jan. 28, 2020**

(54) **LID WITH STRAW**

FOREIGN PATENT DOCUMENTS

(71) Applicant: **Helen of Troy Limited**, St. Michael (BB)

EM 004158178-001 * 8/2017
EM 004158178-002 * 8/2017

(72) Inventors: **Ryan James Diener**, Bend, OR (US);
Shelley Palazzolo, Bend, OR (US)

Primary Examiner — Karen S Acker
Assistant Examiner — Steven B Reinholdt, Jr.

(73) Assignee: **Helen of Troy Limited** (BB)

(74) *Attorney, Agent, or Firm* — Kolisch Hartwell, P.C.

(**) Term: **15 Years**

(57) **CLAIM**

The ornamental design for a lid with straw, as shown and described.

(21) Appl. No.: **29/594,803**

(22) Filed: **Feb. 22, 2017**

DESCRIPTION

(51) **LOC (12) Cl.** **07-99**

(52) **U.S. Cl.**

USPC **D7/392**; D7/392.1

(58) **Field of Classification Search**

USPC D9/452, 453, 454, 435, 447, 449;
D7/391, 392, 392.1, 510, 511, 538, 540,
D7/542, 543, 544, 545, 629
CPC ... A47G 19/2205; A47G 19/2222; A45F 3/16;
A45F 3/20; B67D 7/06; B67D 1/0004;
B65D 25/14; B65D 47/065; B65D
47/066; B65D 2543/00101; B65D
2543/00027

See application file for complete search history.

FIG. 1 is an upper perspective view of a lid with straw showing the new design;

FIG. 2 is a side elevation view thereof;

FIG. 3 is a top plan view thereof;

FIG. 4 is a bottom plan view thereof;

FIG. 5 is a lower perspective view thereof;

FIG. 6 is an upper perspective view of the lid with straw of FIG. 1 including symbolic breaks along the length of the straw;

FIG. 7 is a side elevation view thereof; and,

FIG. 8 is a lower perspective view thereof.

The front view, rear view, and each side view of the lid with straw of FIG. 1 are identical to the side elevation view of FIG. 2, and are therefore omitted.

The front view, rear view, and each side view of the lid with straw of FIG. 6 are identical to the side elevation view of FIG. 7, and are therefore omitted.

The top plan view of the lid with straw of FIG. 6 is identical to FIG. 3, and is therefore omitted.

The bottom plan view of the lid with straw of FIG. 6 is identical to FIG. 4, and is therefore omitted.

The dashed lines in the drawings depict portions of the lid with straw that form no part of the claimed design. The break lines along the length of the straw and the area between them in FIGS. 6-8 form no part of the claimed design.

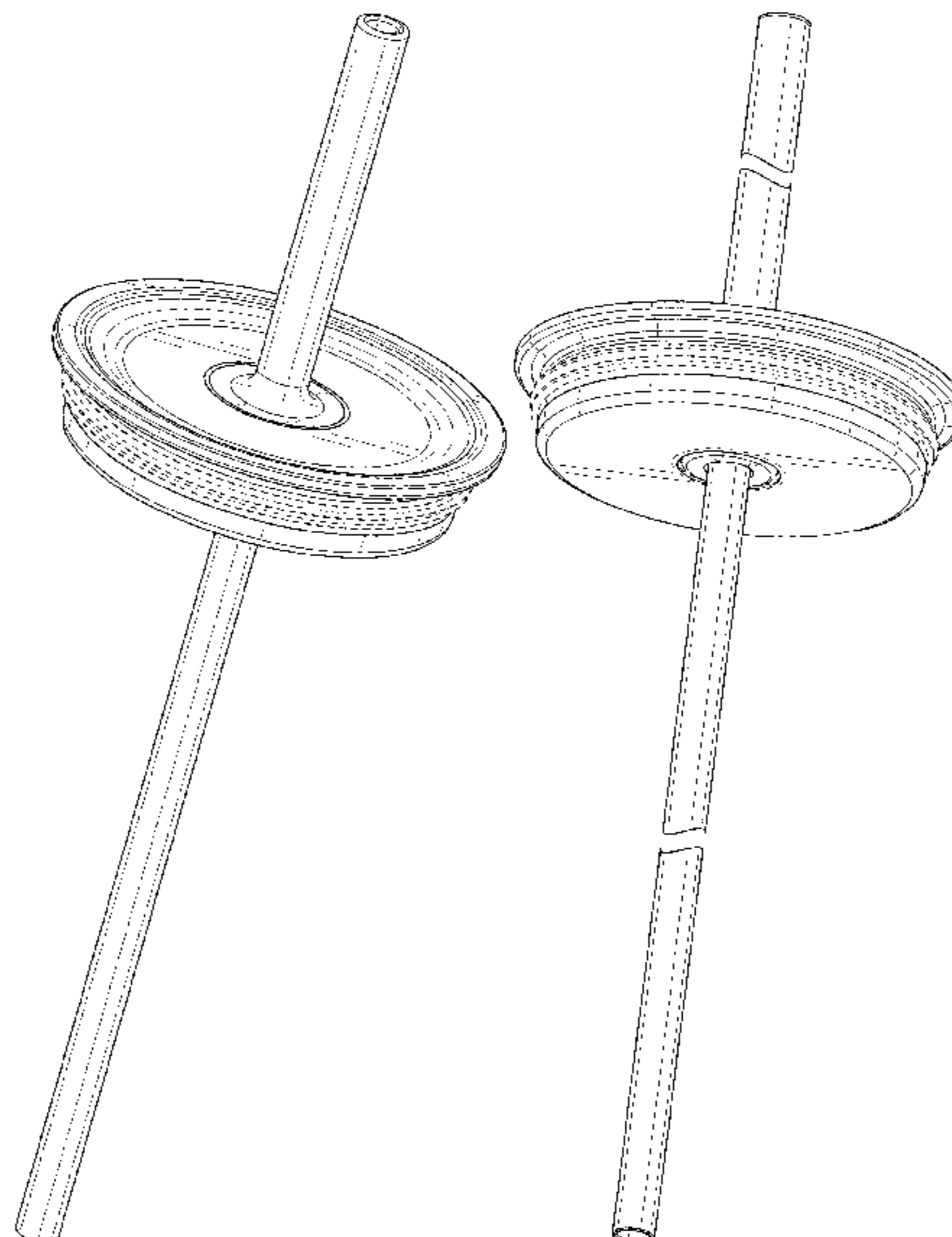
(56) **References Cited**

U.S. PATENT DOCUMENTS

D515,351 S * 2/2006 Witmer D7/368
D527,254 S * 8/2006 Antonelli D9/435
D674,241 S * 1/2013 Bickert D7/510
D697,366 S * 1/2014 Kristinik D7/392.1
D731,240 S * 6/2015 Bell D7/300.2
D756,710 S * 5/2016 Beckman D7/510
D769,069 S * 10/2016 Sanbar D7/507
D779,939 S * 2/2017 Boroski D7/396.2
D804,907 S * 12/2017 Sandoval D7/510
D808,802 S * 1/2018 Seiders D9/440

(Continued)

1 Claim, 8 Drawing Sheets



(56)

References Cited

U.S. PATENT DOCUMENTS

D814,239 S * 4/2018 Arora D7/510
2016/0309930 A1 * 10/2016 Stewart A47G 21/18

* cited by examiner

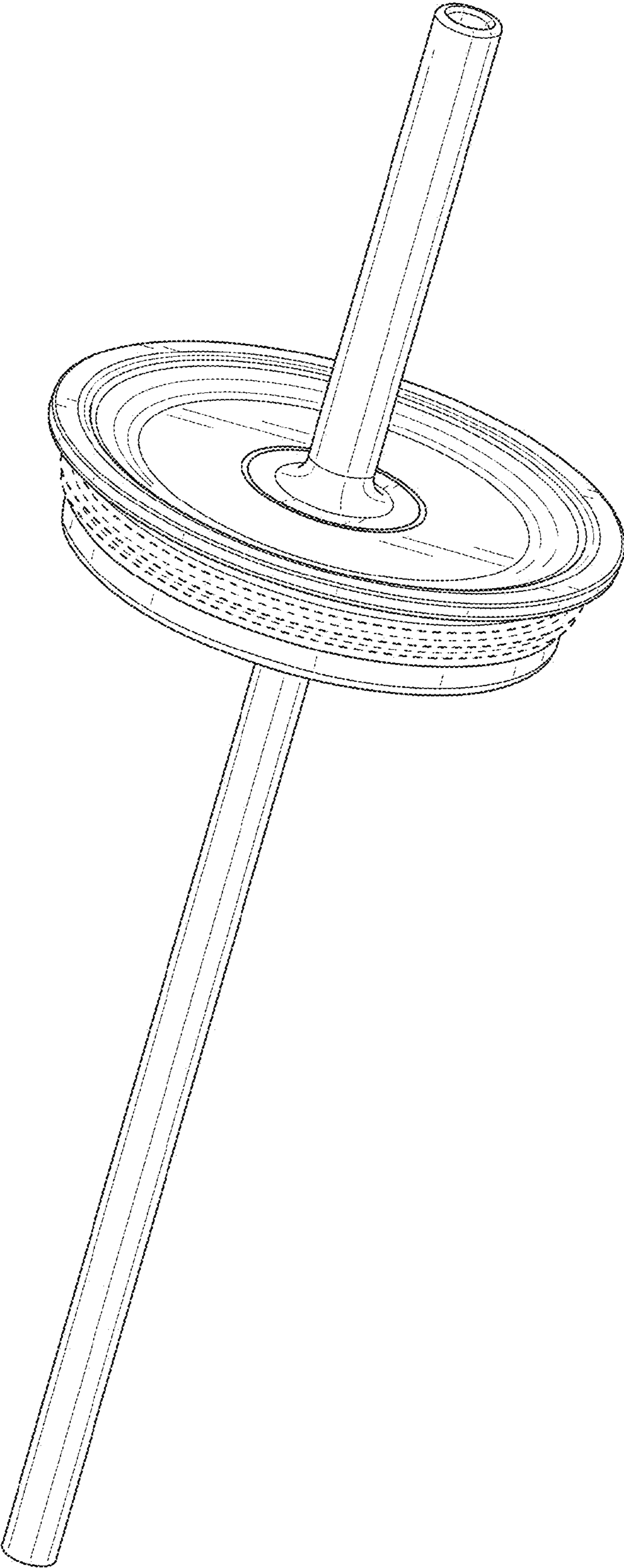


FIG. 1

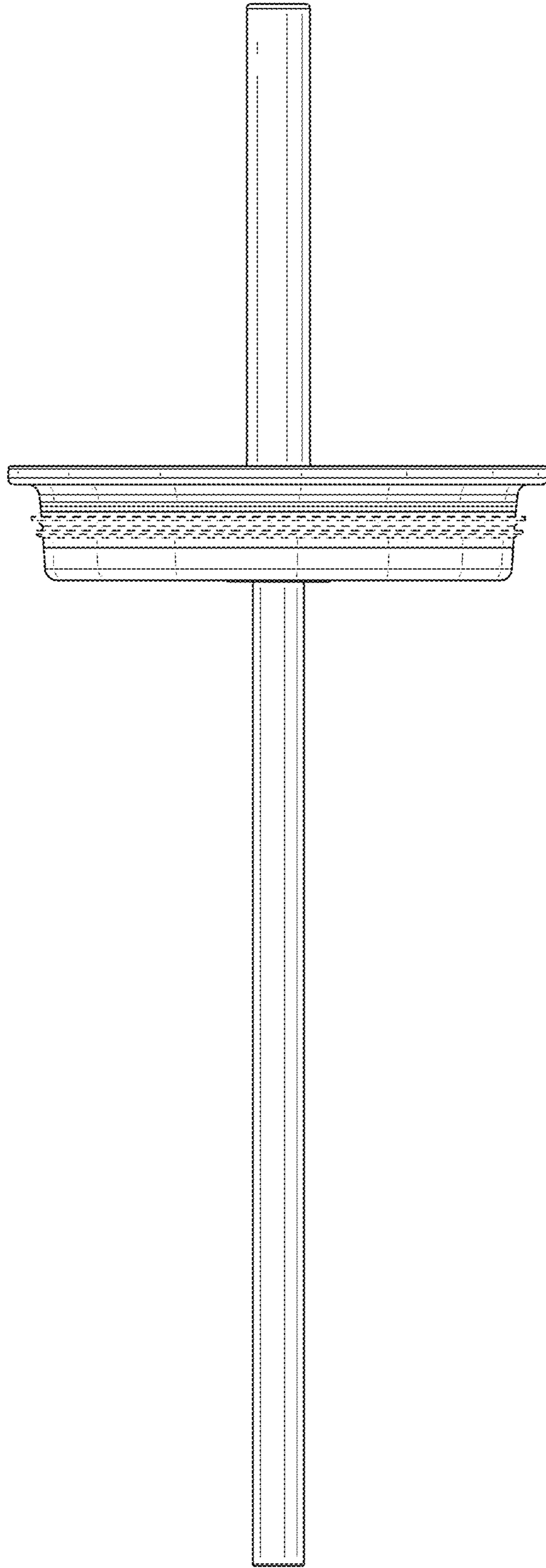


FIG. 2

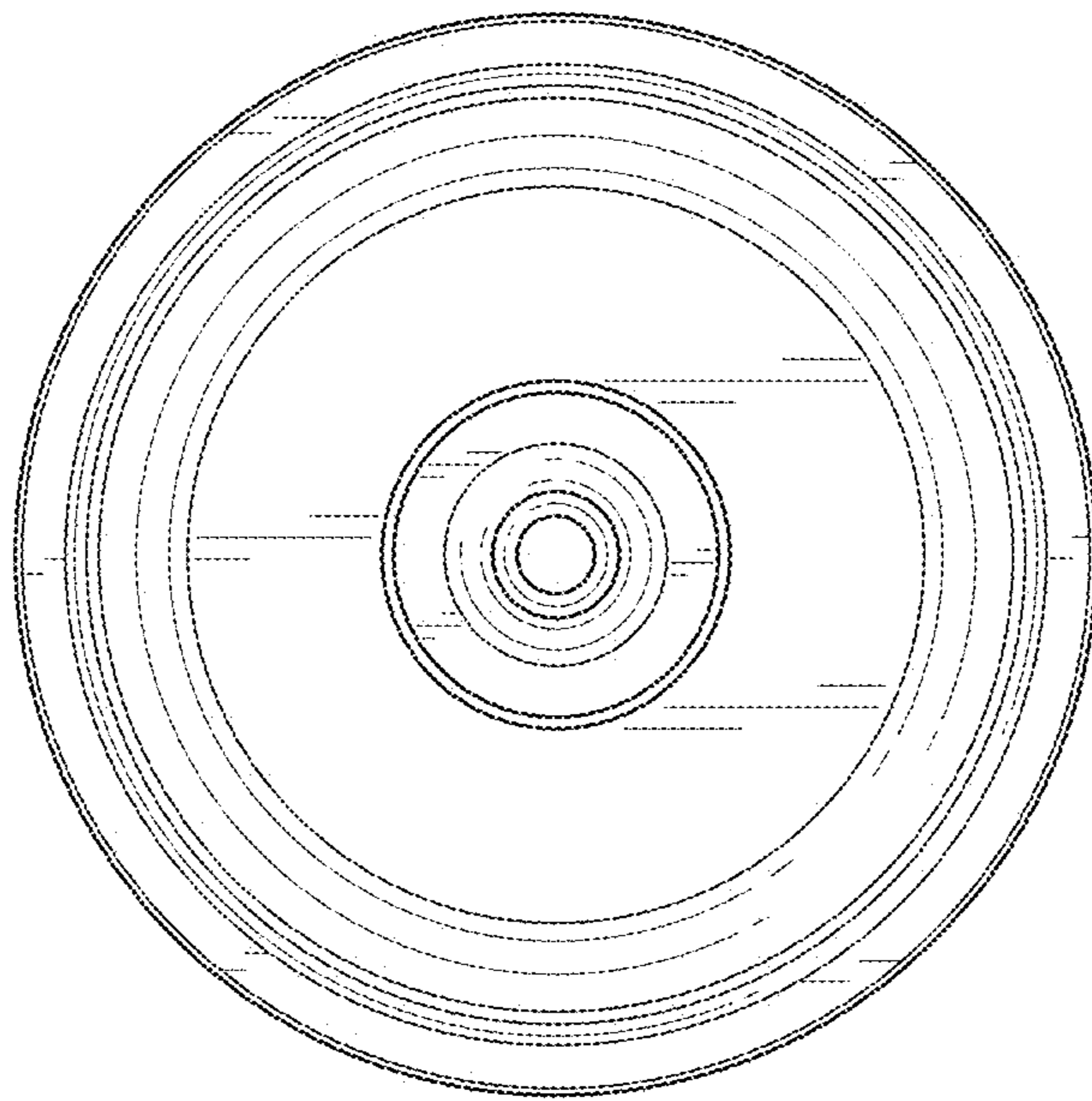


FIG. 3

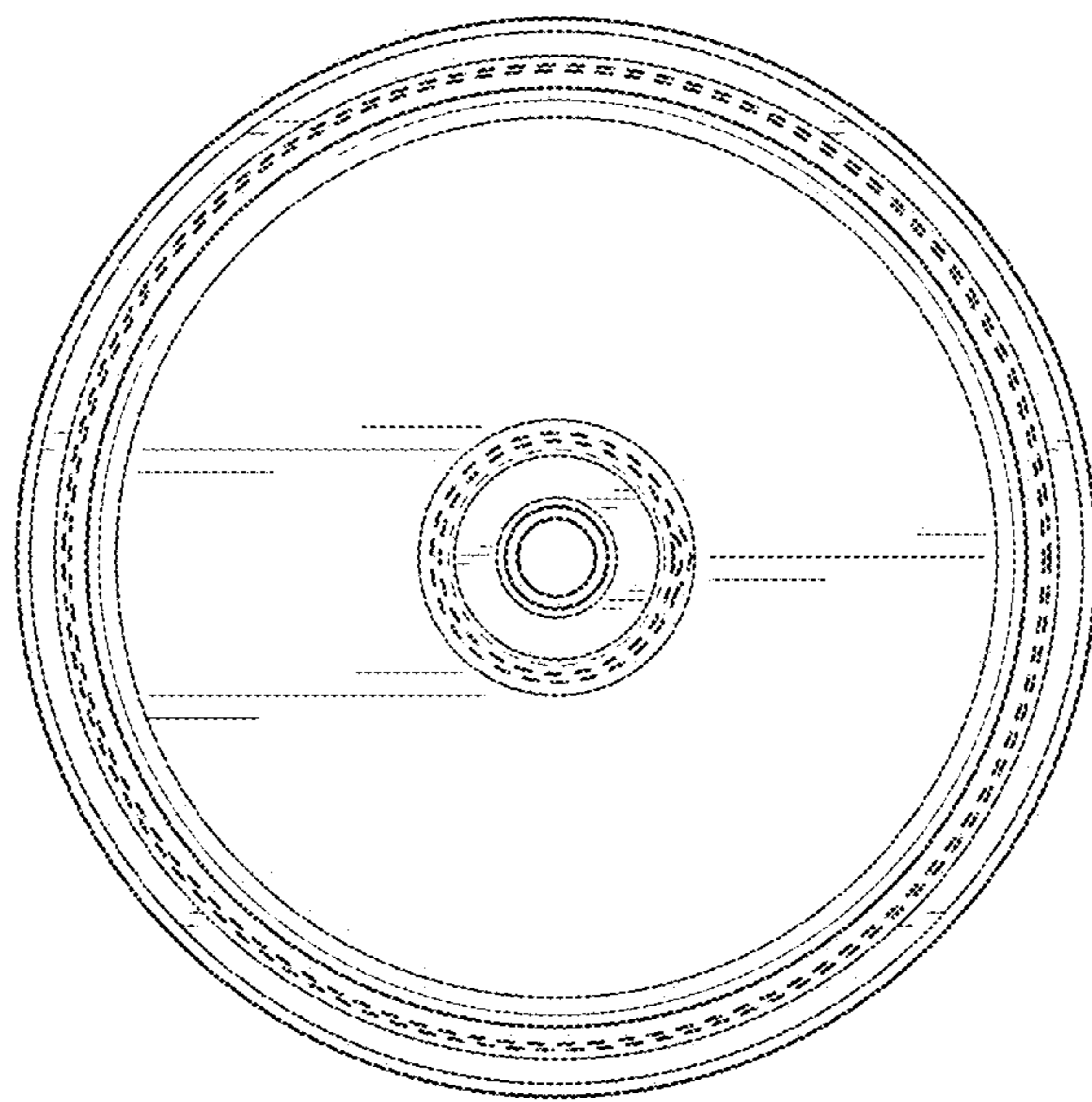


FIG. 4

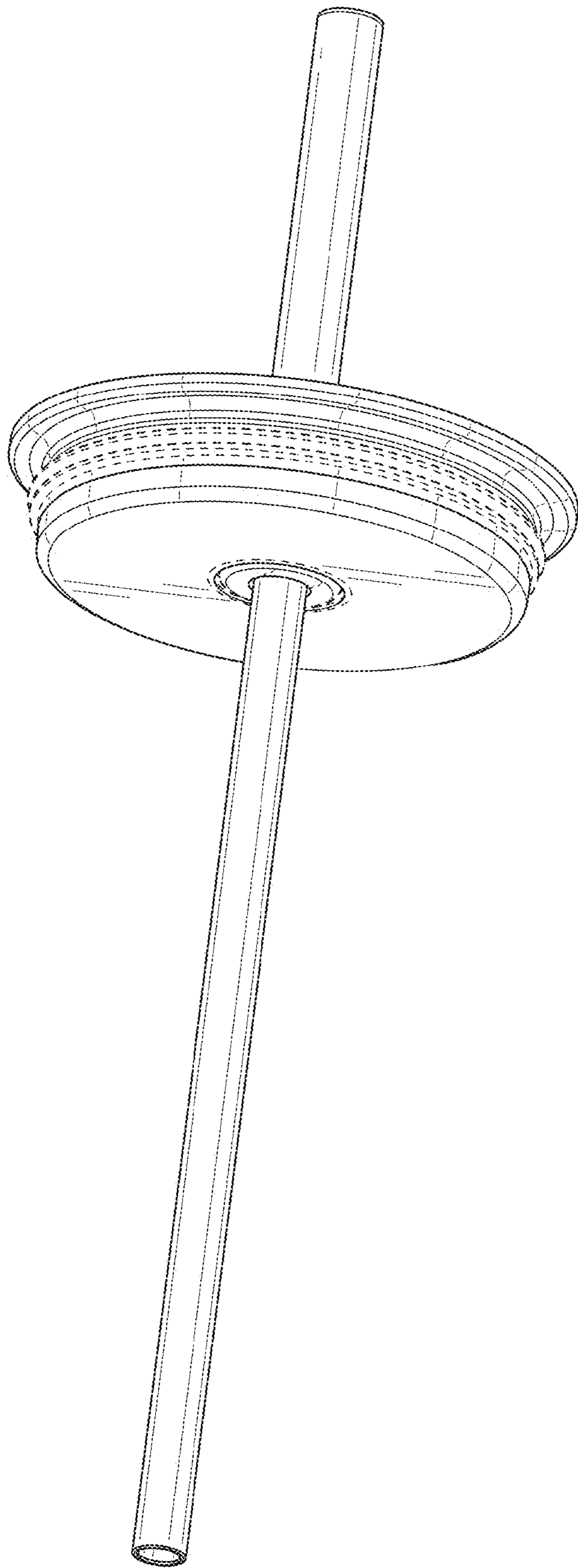


FIG. 5

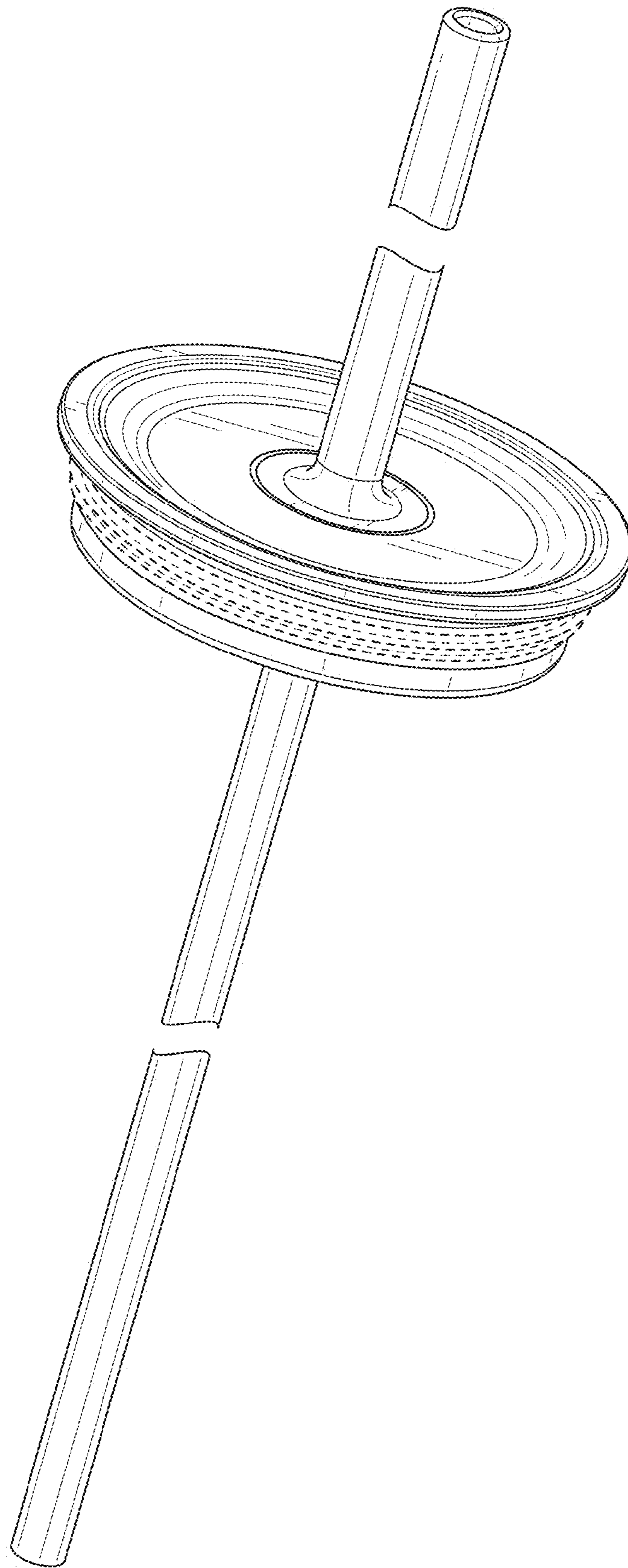


FIG. 6

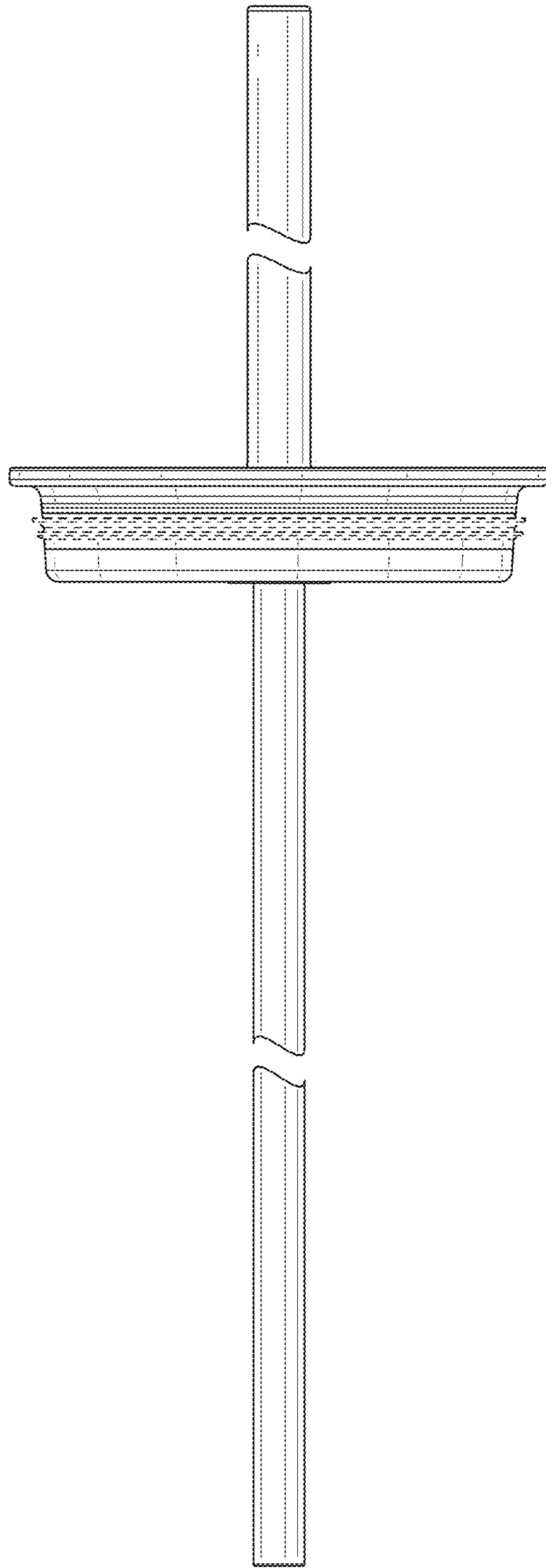


FIG. 7

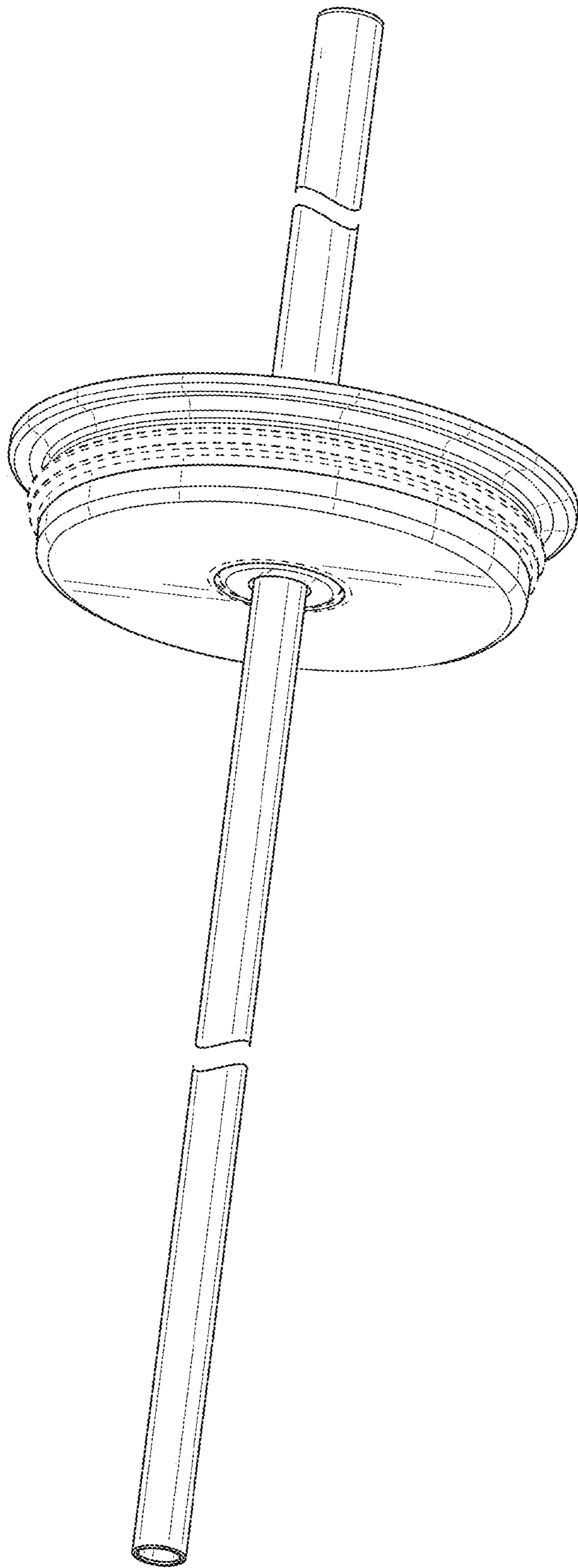


FIG. 8