



US00D873600S

(12) **United States Design Patent** (10) **Patent No.:** **US D873,600 S**
Hu (45) **Date of Patent:** **** Jan. 28, 2020**

(54) **AIR FRYER**
(71) Applicant: **SHENZHEN QIANHAI PATUOXUN NETWORK AND TECHNOLOGY CO., LTD**, Shenzhen (CN)
(72) Inventor: **Zaihui Hu**, Shenzhen (CN)
(73) Assignee: **SHENZHEN QIANHAI PATUOXUN NETWORK AND TECHNOLOGY CO., LTD**, Shenzhen (CN)

D680,800 S * 4/2013 Berge D7/354
D680,802 S * 4/2013 Seymour D7/354
D692,718 S * 11/2013 Verbrugge D7/354
D719,397 S * 12/2014 Krooshof D7/354
D746,098 S * 12/2015 Glupker D7/354
D793,797 S * 8/2017 Krooshof D7/354
D801,103 S * 10/2017 Krooshof D7/354
D816,390 S * 5/2018 Zhang D7/354
D817,698 S * 5/2018 Liu D7/361
D820,031 S * 6/2018 Zhang D7/354
D848,199 S * 5/2019 Kowalewski D7/354

(**) Term: **15 Years**
(21) Appl. No.: **29/703,493**
(22) Filed: **Aug. 28, 2019**
(51) **LOC (12) Cl.** **07-02**
(52) **U.S. Cl.**
USPC **D7/354; D7/361**
(58) **Field of Classification Search**
USPC D7/323, 354-361
CPC A23L 1/01; A23L 1/0107; A23L 1/0114;
A47J 27/00; A47J 27/08; A47J 27/09;
A47J 27/092; A47J 36/025; A47J 36/06;
A47J 36/08; A47J 36/10; A47J 36/12;
A47J 36/165; A47J 36/18; A47J 36/20;
A47J 36/22; A47J 37/00; A47J 37/12;
A47J 37/1204; A47J 37/1209; A47J
37/1214; A47J 37/1219; A47J 37/1266;
A47J 37/1285; A47J 37/129; A47J
37/1295; G07F 17/0064; G07F 17/0078;
G07F 17/0085; H05B 6/02; H05B 6/06;
H05B 6/12

See application file for complete search history.

(56) **References Cited**

U.S. PATENT DOCUMENTS

D557,552 S * 12/2007 Matras D7/354
D610,392 S * 2/2010 Fiorotto D7/354

FOREIGN PATENT DOCUMENTS

EM 005330008-0004 7/2018

* cited by examiner

Primary Examiner — Ricky Pham

(74) *Attorney, Agent, or Firm* — JCIP Global Inc.

(57) **CLAIM**

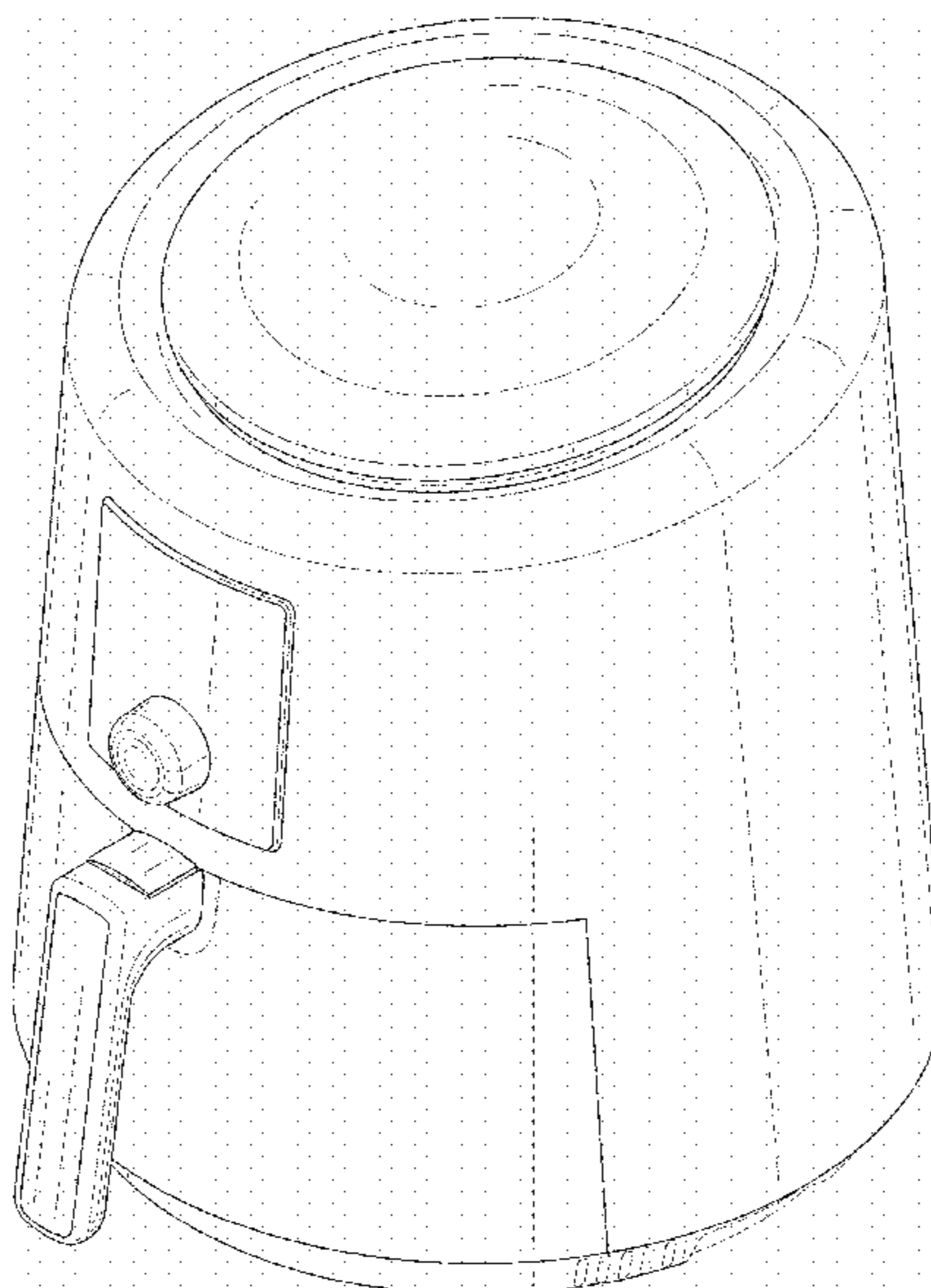
The ornamental design for an air fryer, as shown and described.

DESCRIPTION

FIG. 1 is a perspective view of an air fryer showing my new design;
FIG. 2 is another perspective view thereof;
FIG. 3 is a front view thereof;
FIG. 4 is a rear view thereof;
FIG. 5 is a left side view thereof;
FIG. 6 is a right side view thereof;
FIG. 7 is a top view thereof; and,
FIG. 8 is a bottom view thereof.

The broken lines in the drawings represent portions of the air fryer which form no part of the claimed design.

1 Claim, 8 Drawing Sheets



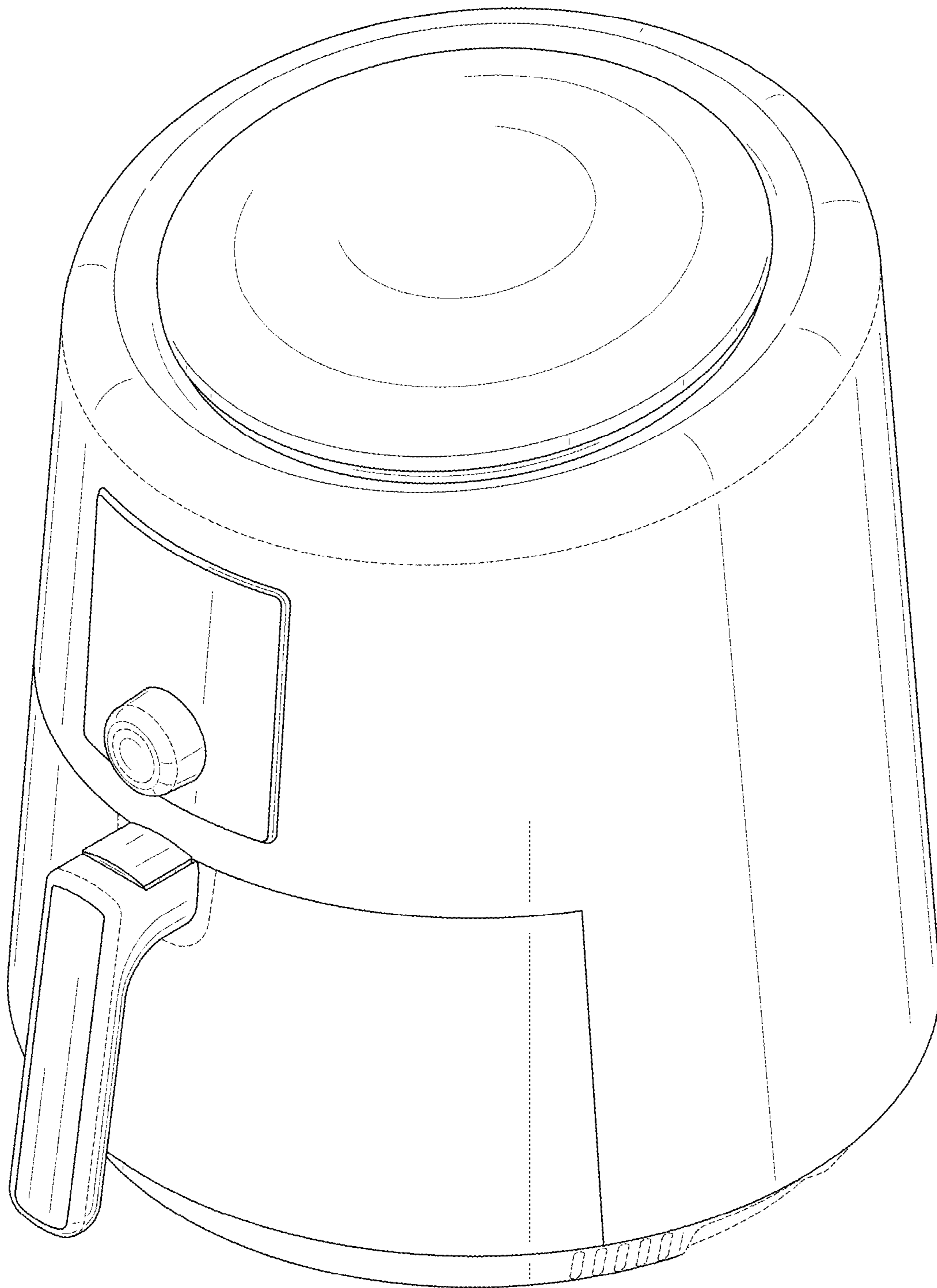


FIG. 1

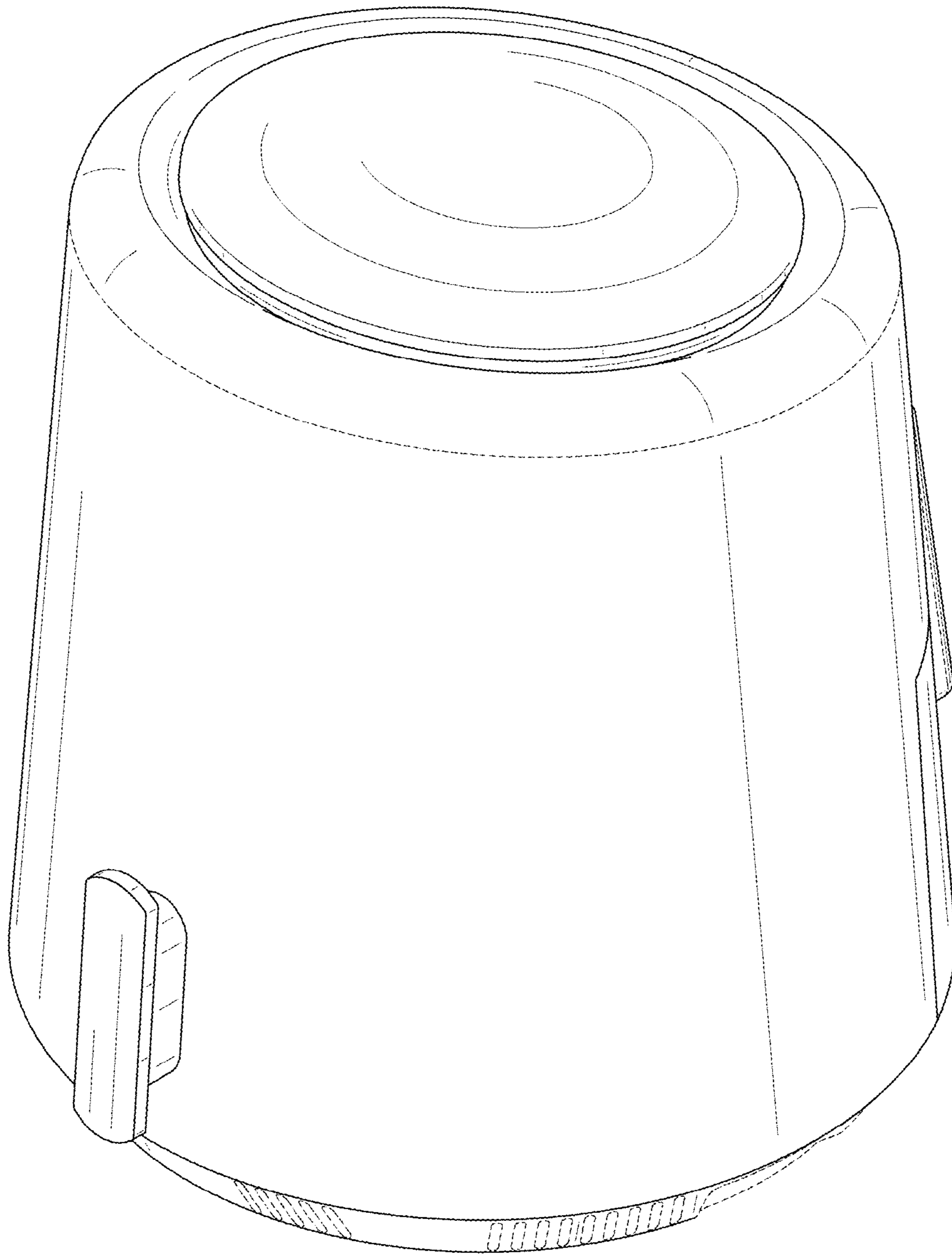


FIG. 2

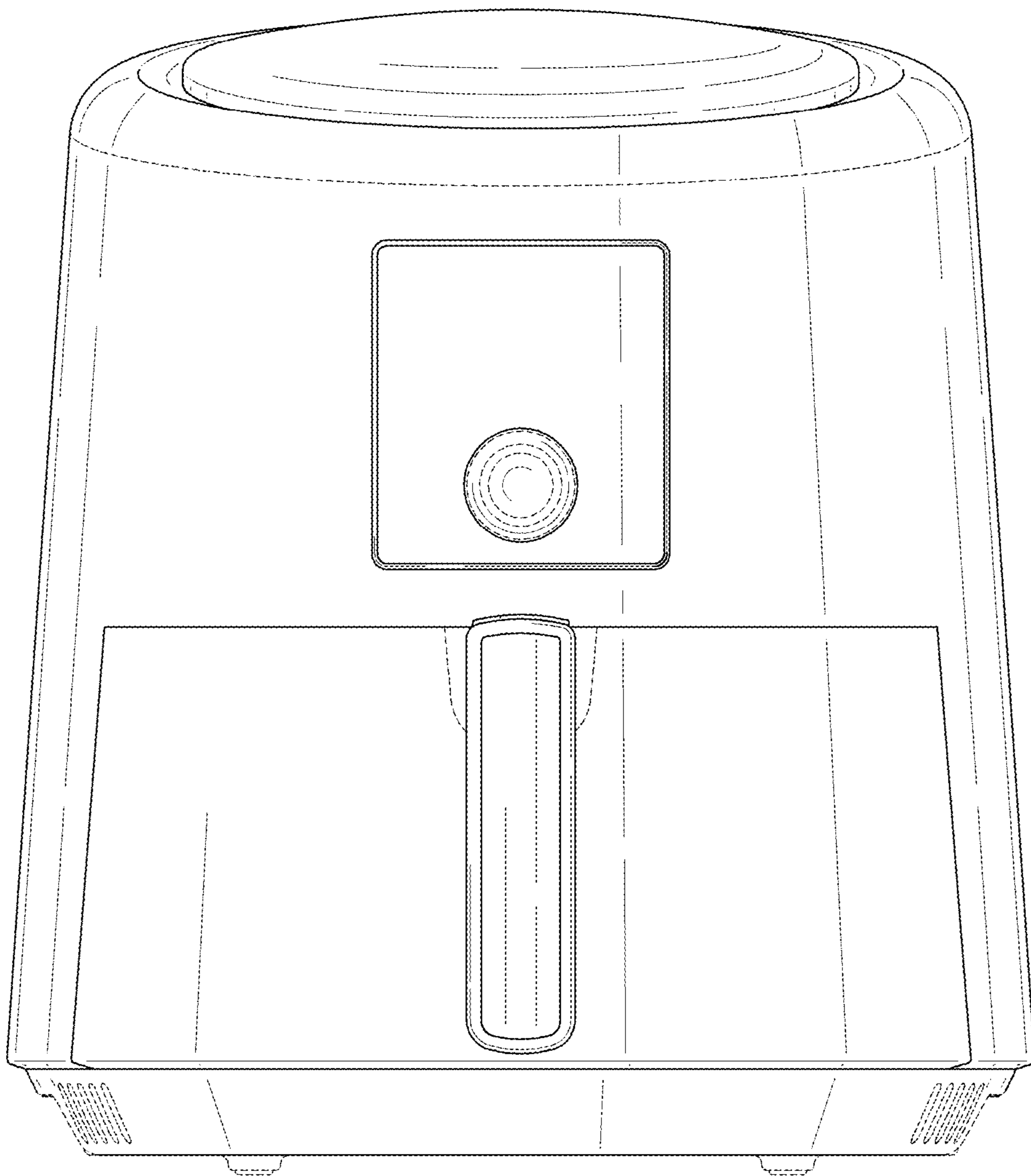


FIG. 3

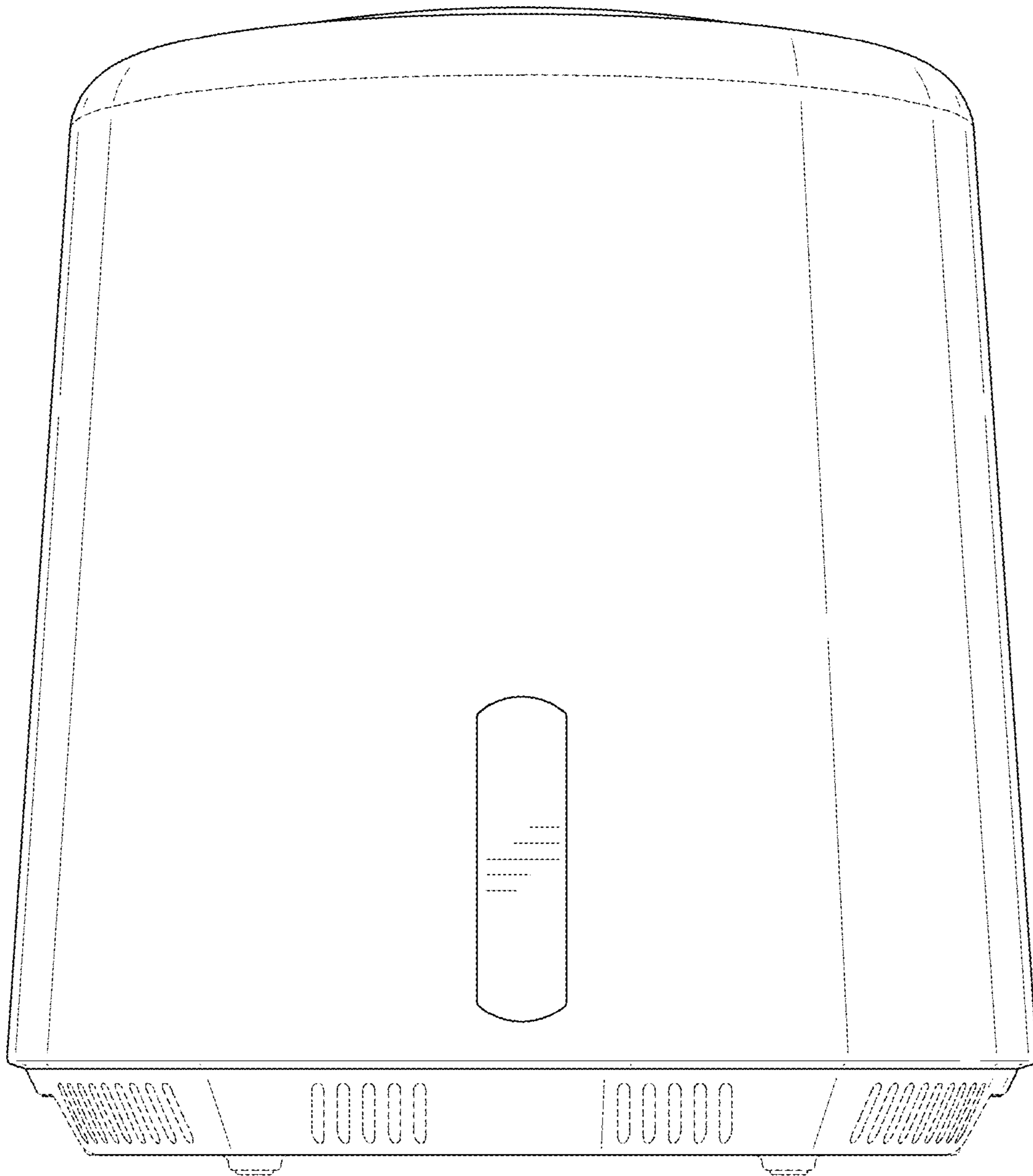


FIG. 4

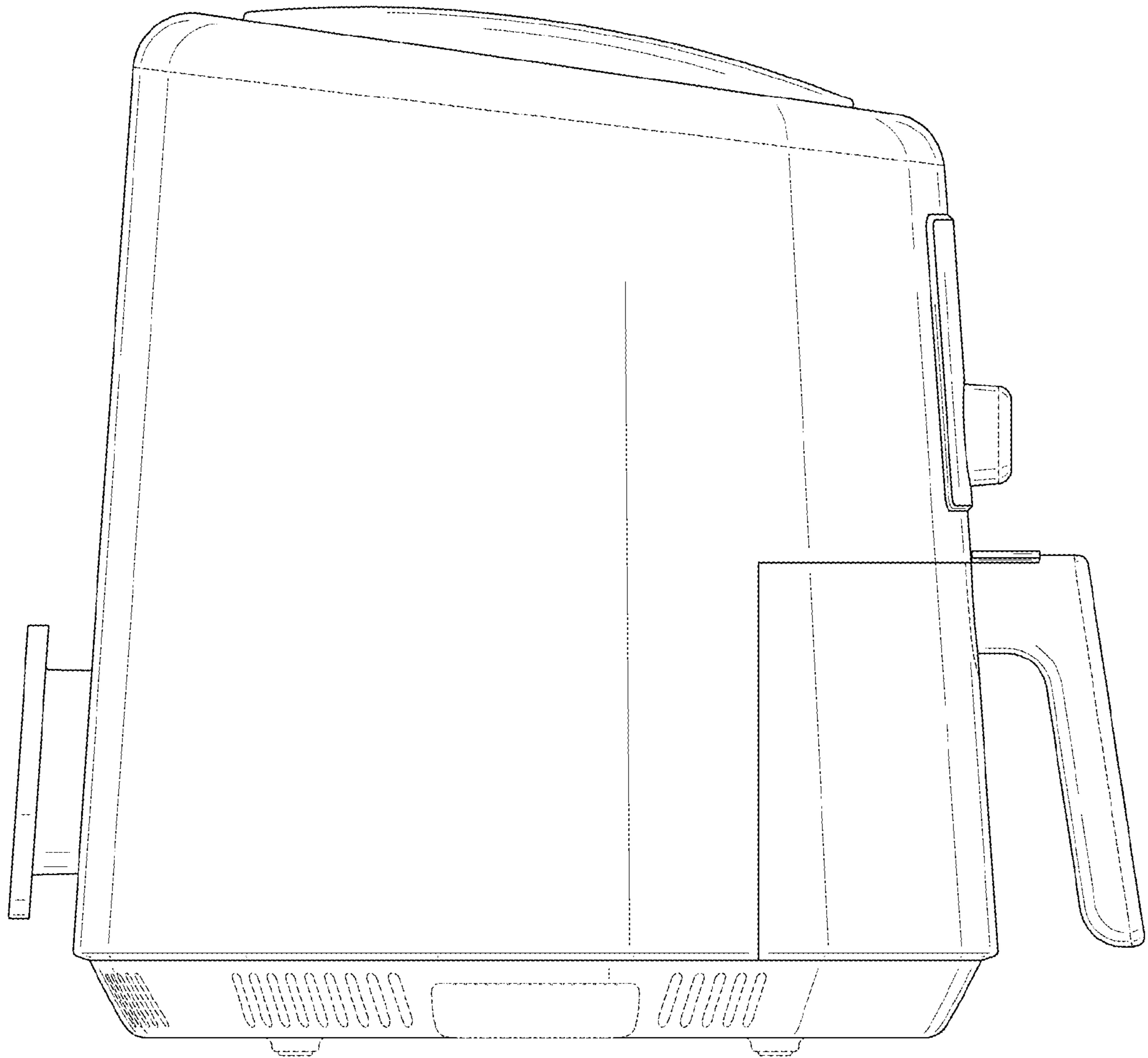


FIG. 5

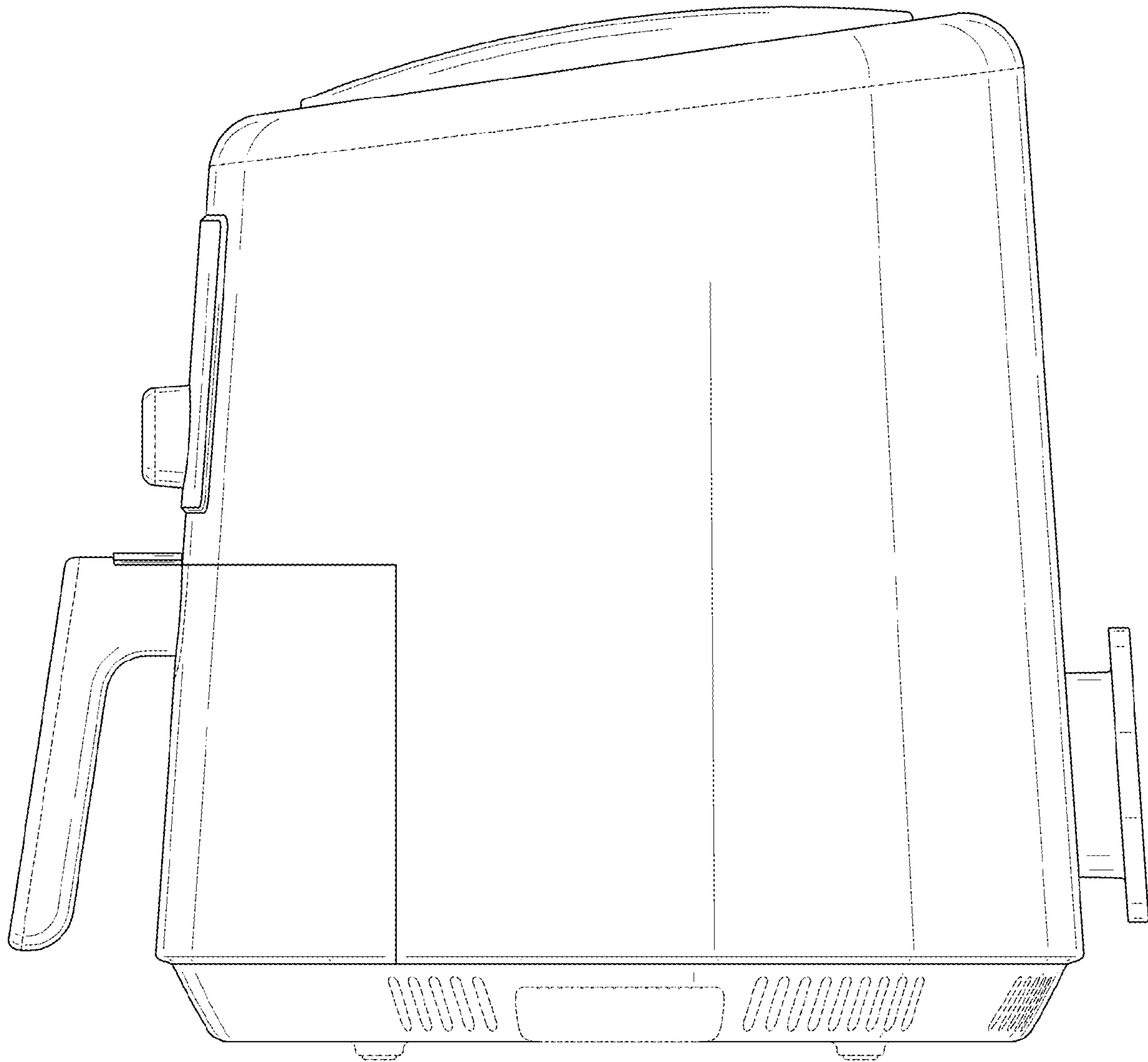


FIG. 6

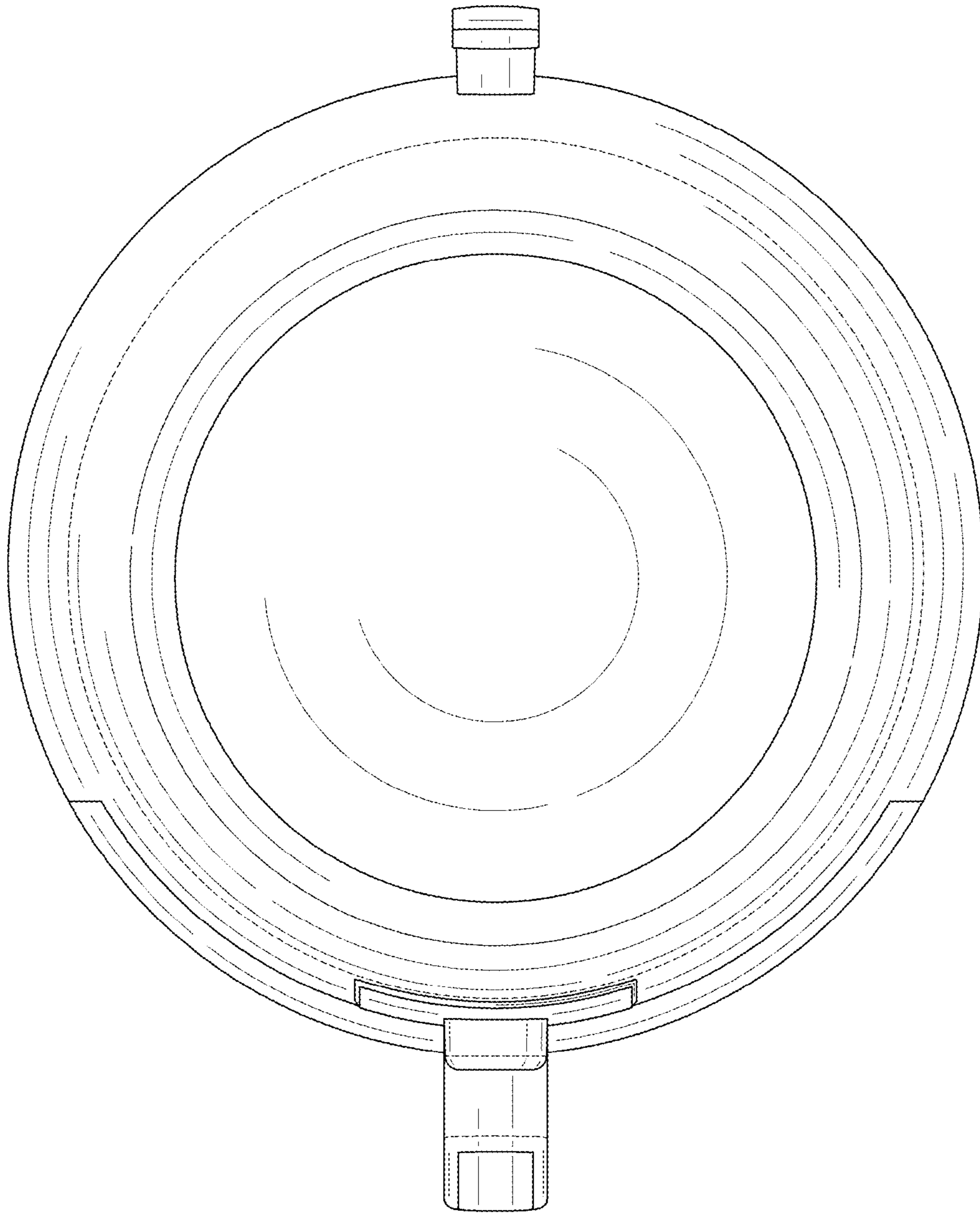


FIG. 7

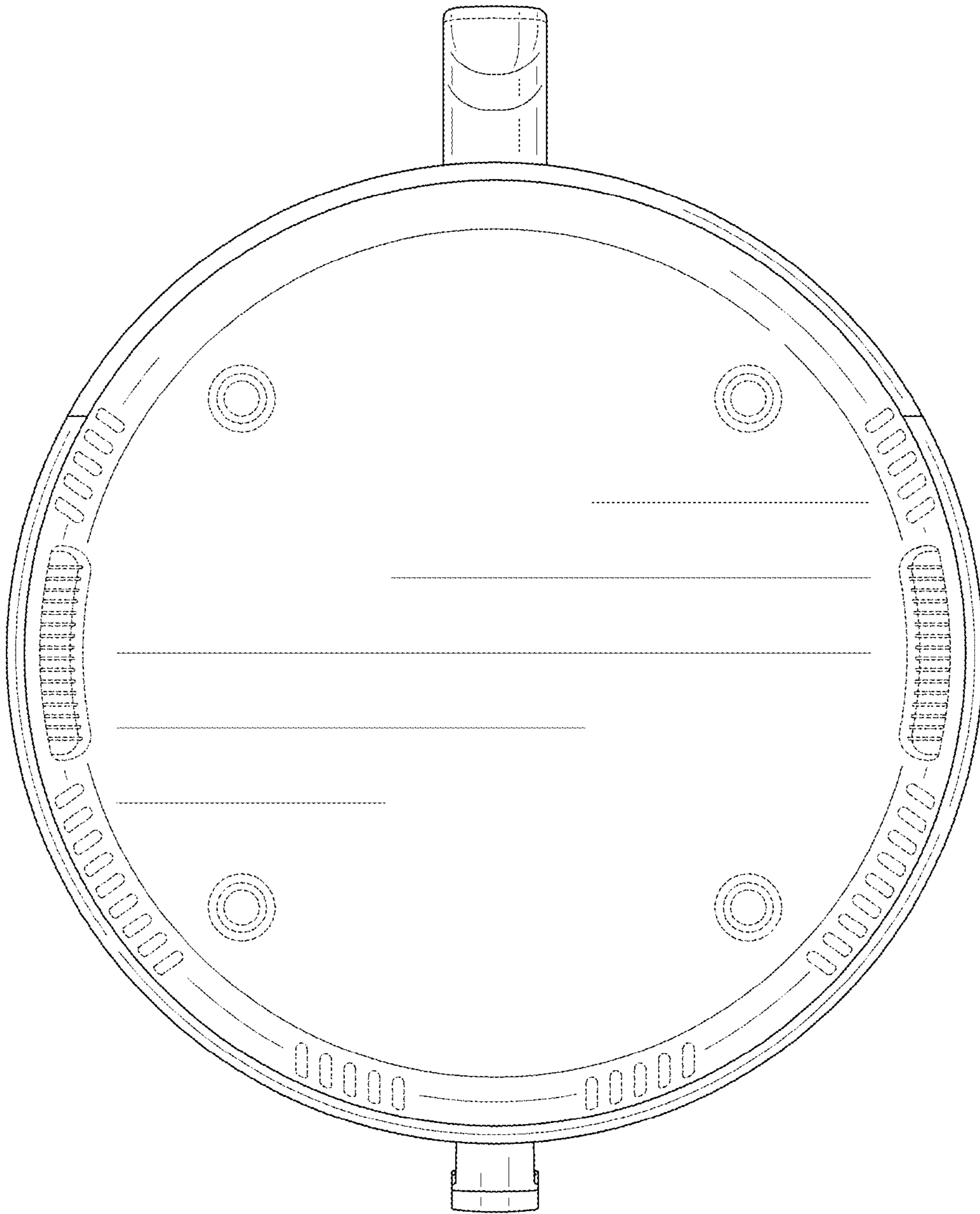


FIG. 8