



US00D873597S

(12) **United States Design Patent**
Fisher Wong et al.

(10) **Patent No.:** **US D873,597 S**
(45) **Date of Patent:** **** Jan. 28, 2020**

(54) **COFFEE MAKER**
(71) Applicant: **Sunbeam Products, Inc.**, Boca Raton, FL (US)
(72) Inventors: **Allen Dean Fisher Wong**, Portage, MI (US); **Matthew Allen Johnson**, South Haven, MI (US)

D690,992 S *	10/2013	Ball	D7/399
D728,294 S *	5/2015	Huang	D7/305
D740,064 S *	10/2015	Katz	D7/309
D740,067 S *	10/2015	Katz	D7/399
D794,375 S *	8/2017	Fukushima	D7/309
D796,886 S *	9/2017	Mangold	D7/309
D847,564 S *	5/2019	Best	D7/400
D850,850 S *	6/2019	Vargo	D7/400
2015/0075387 A1 *	3/2015	Lee	A47J 31/46 99/289 R

(73) Assignee: **Sunbeam Products, Inc.**, Boca Raton, FL (US)

* cited by examiner

(**) Term: **15 Years**

Primary Examiner — Marianne N Pandozzi

(21) Appl. No.: **29/663,521**

(74) *Attorney, Agent, or Firm* — Husch Blackwell LLP

(22) Filed: **Sep. 17, 2018**

(51) **LOC (12) Cl.** **07-01**

(52) **U.S. Cl.**
USPC **D7/309**; D7/311; D7/399

(58) **Field of Classification Search**
USPC D7/300, 372, 373, 309–311, 306, 397, D7/399, 400; D8/62
CPC A47J 42/08; A47J 42/50
See application file for complete search history.

(57) **CLAIM**

The ornamental design for the of coffee maker, as shown and described.

DESCRIPTION

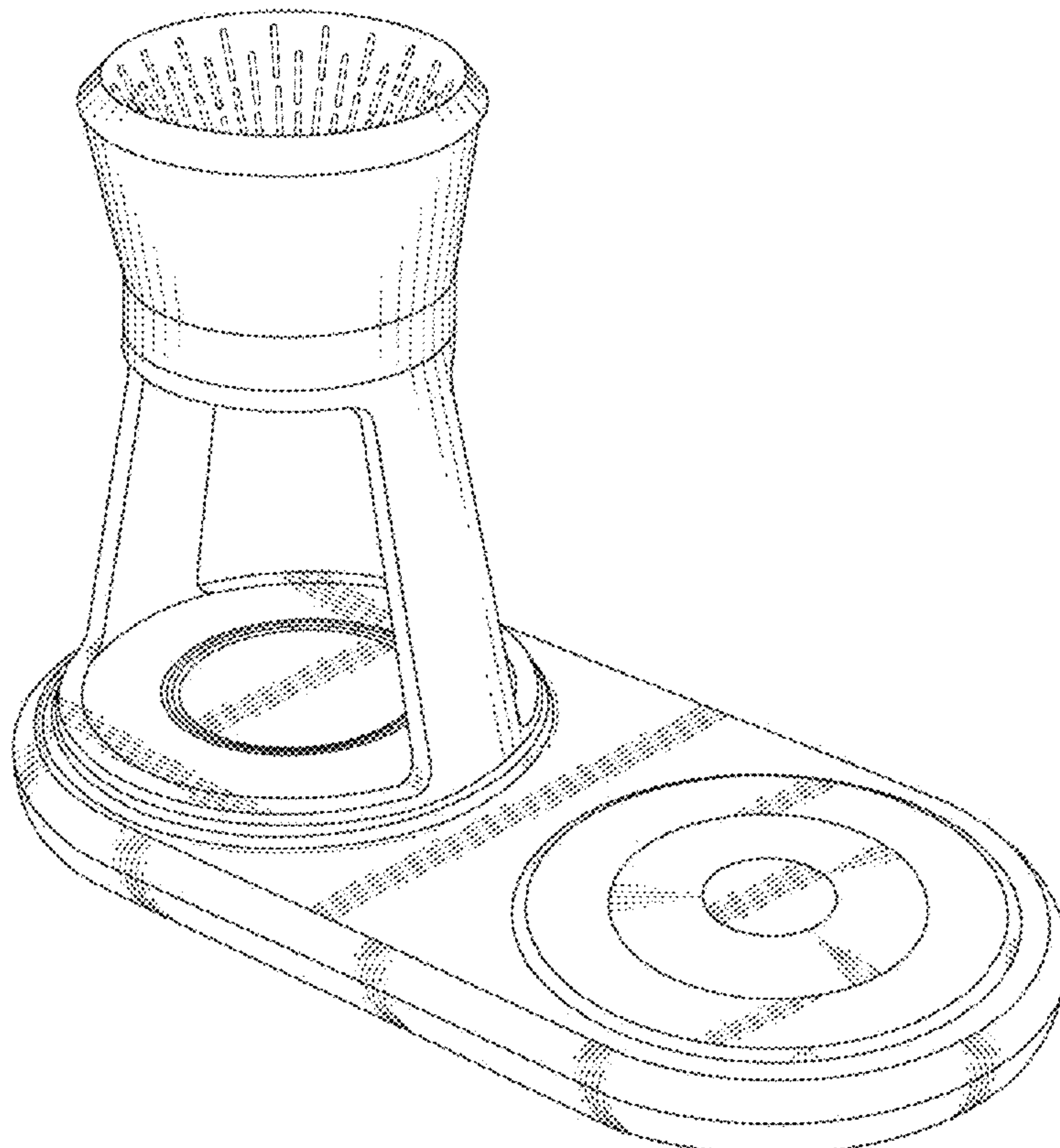
FIG. 1 is a front perspective view of a coffee maker showing our new design; FIG. 2 is a front side view of the coffee maker of FIG. 1; FIG. 3 is a rear side view of the coffee maker of FIG. 1; FIG. 4 is a right side view of the coffee maker of FIG. 1; FIG. 5 is a left side view of the coffee maker of FIG. 1; FIG. 6 is a top view of the coffee maker of FIG. 1; and, FIG. 7 is a bottom view of the coffee maker of FIG. 1. The broken lines in the drawings depict portions of the coffee maker that form no part of the claimed design.

(56) **References Cited**

U.S. PATENT DOCUMENTS

D286,848 S *	11/1986	Levin	D7/305
D289,726 S *	5/1987	Greutert	D7/310

1 Claim, 6 Drawing Sheets



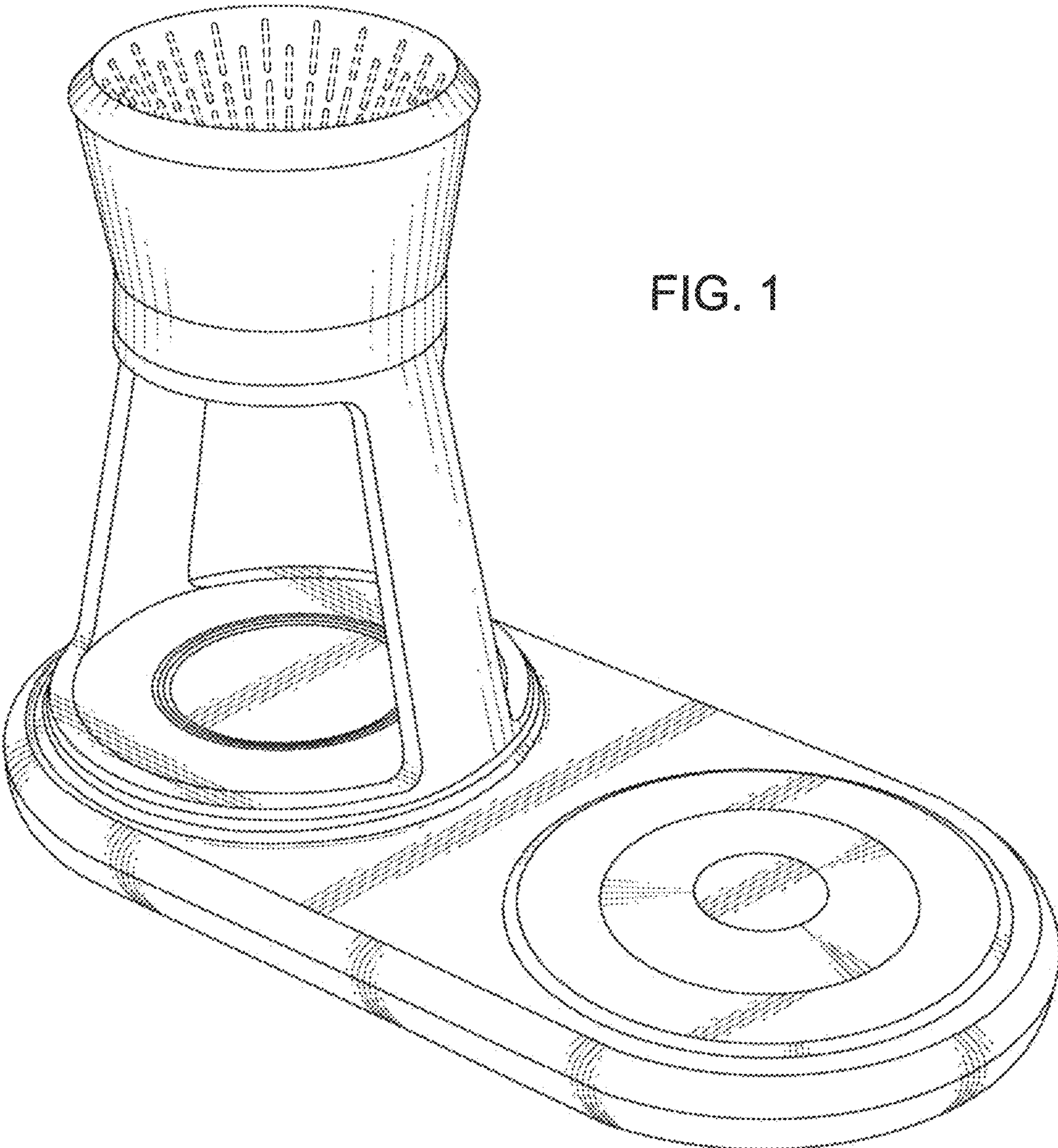


FIG. 1

FIG. 2

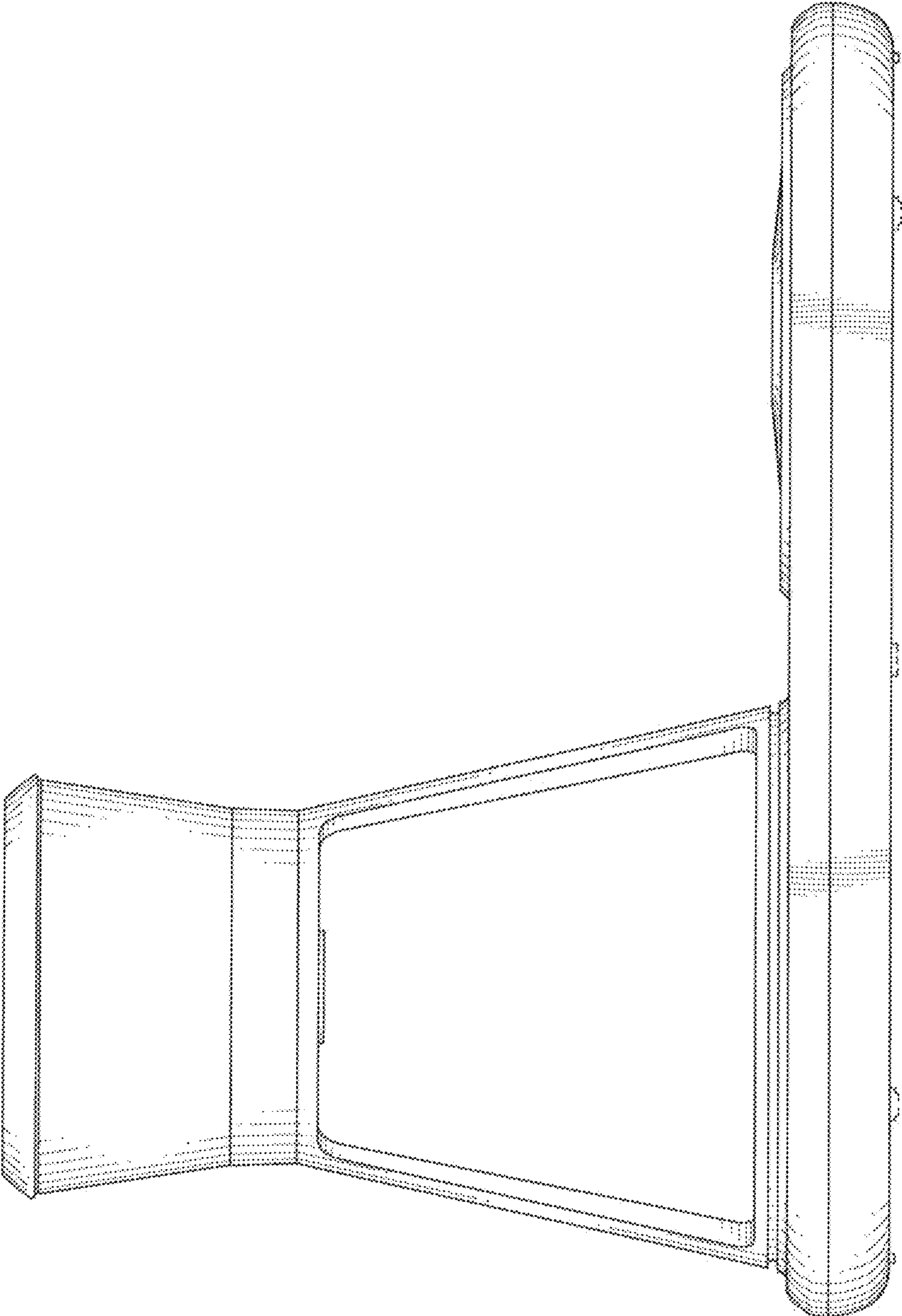


FIG. 3

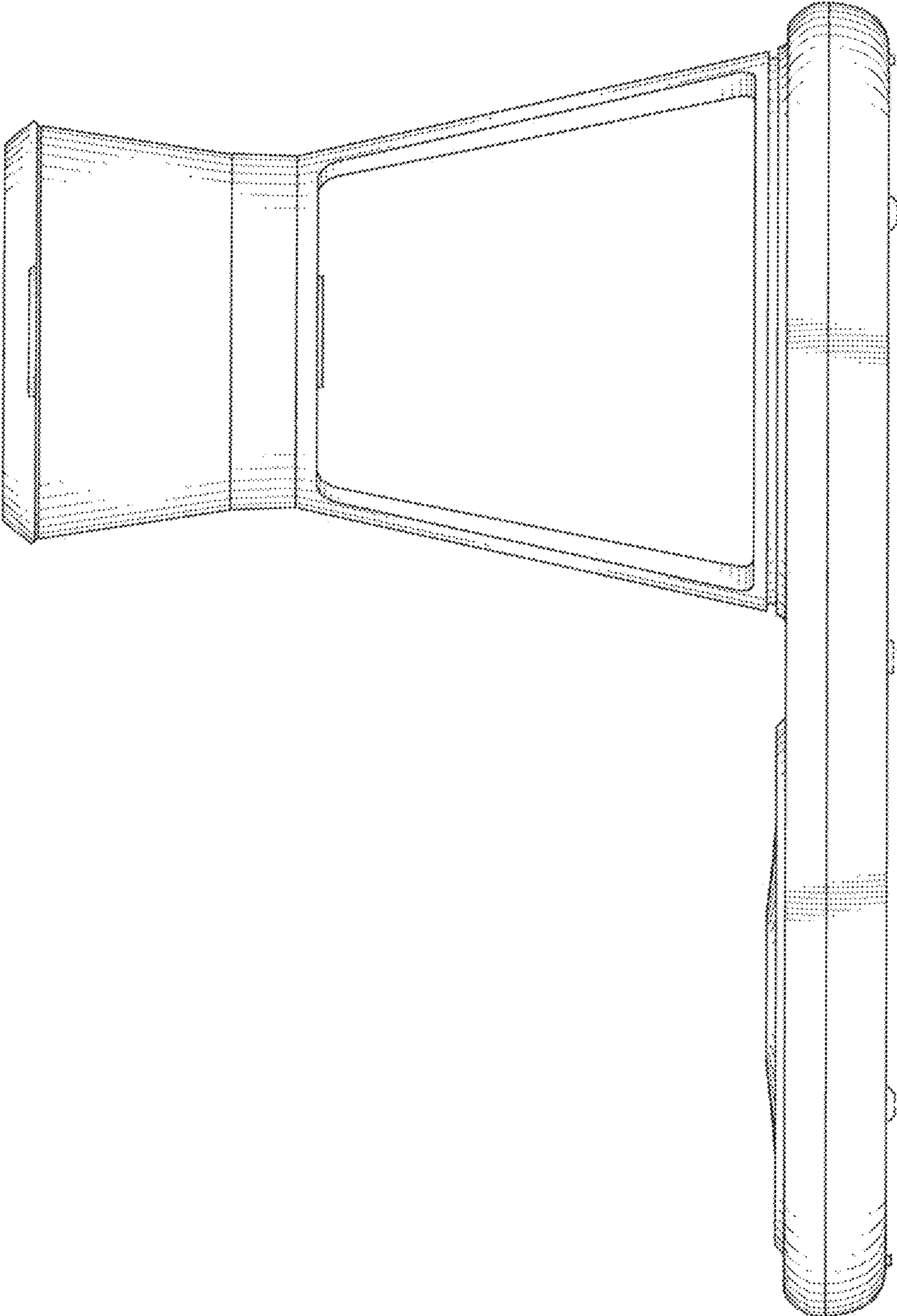


FIG. 5

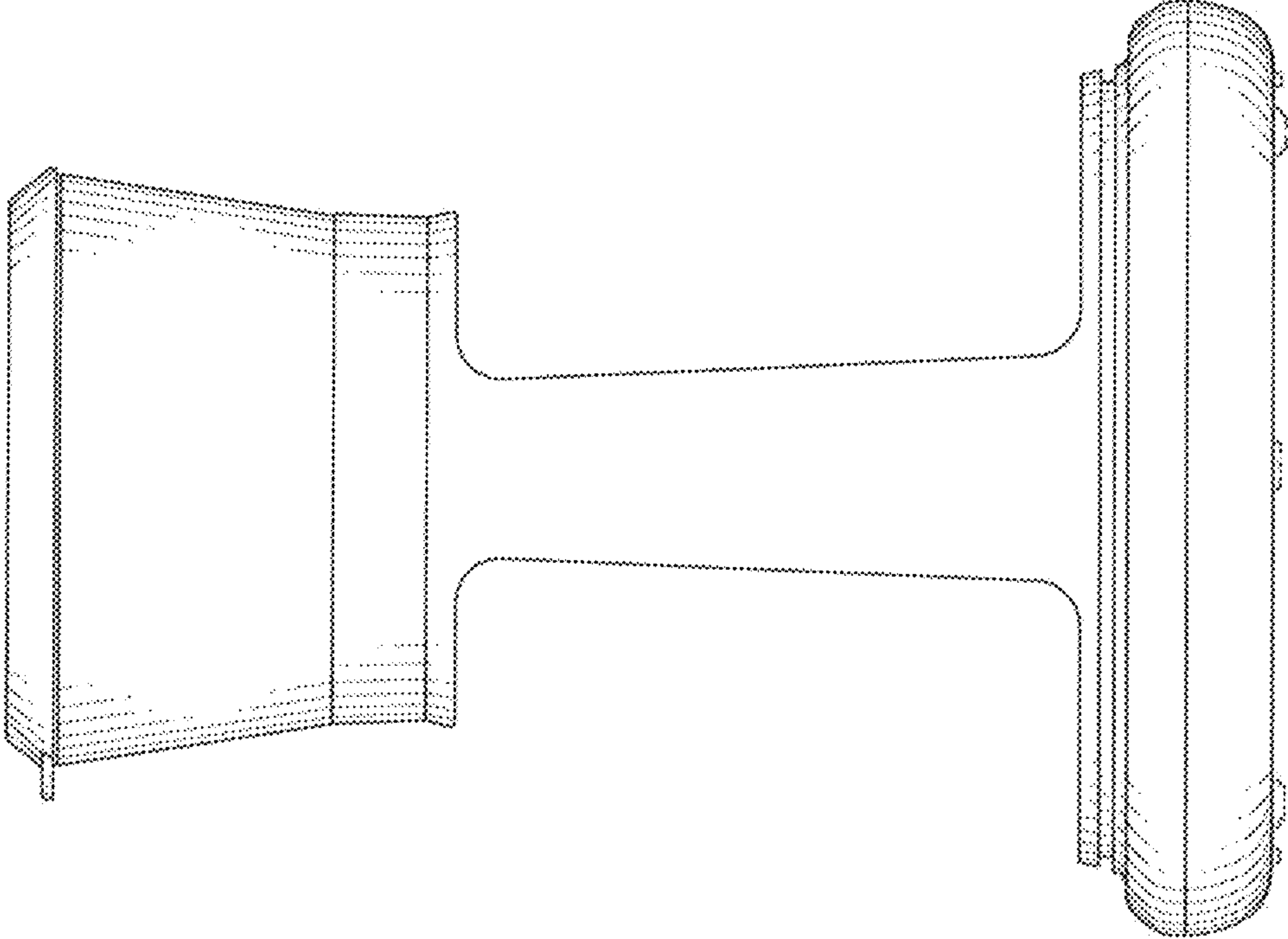


FIG. 4

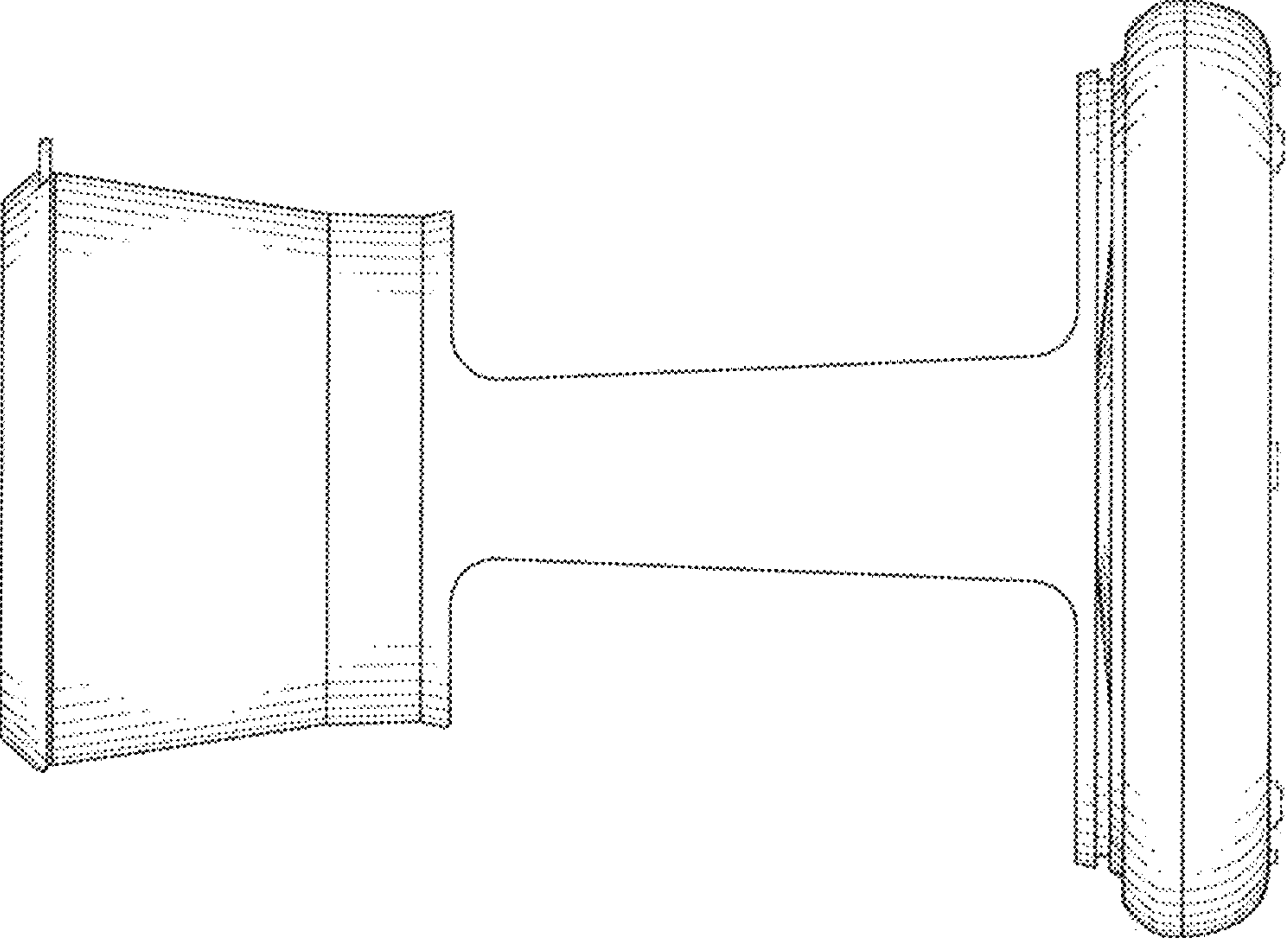


FIG. 6

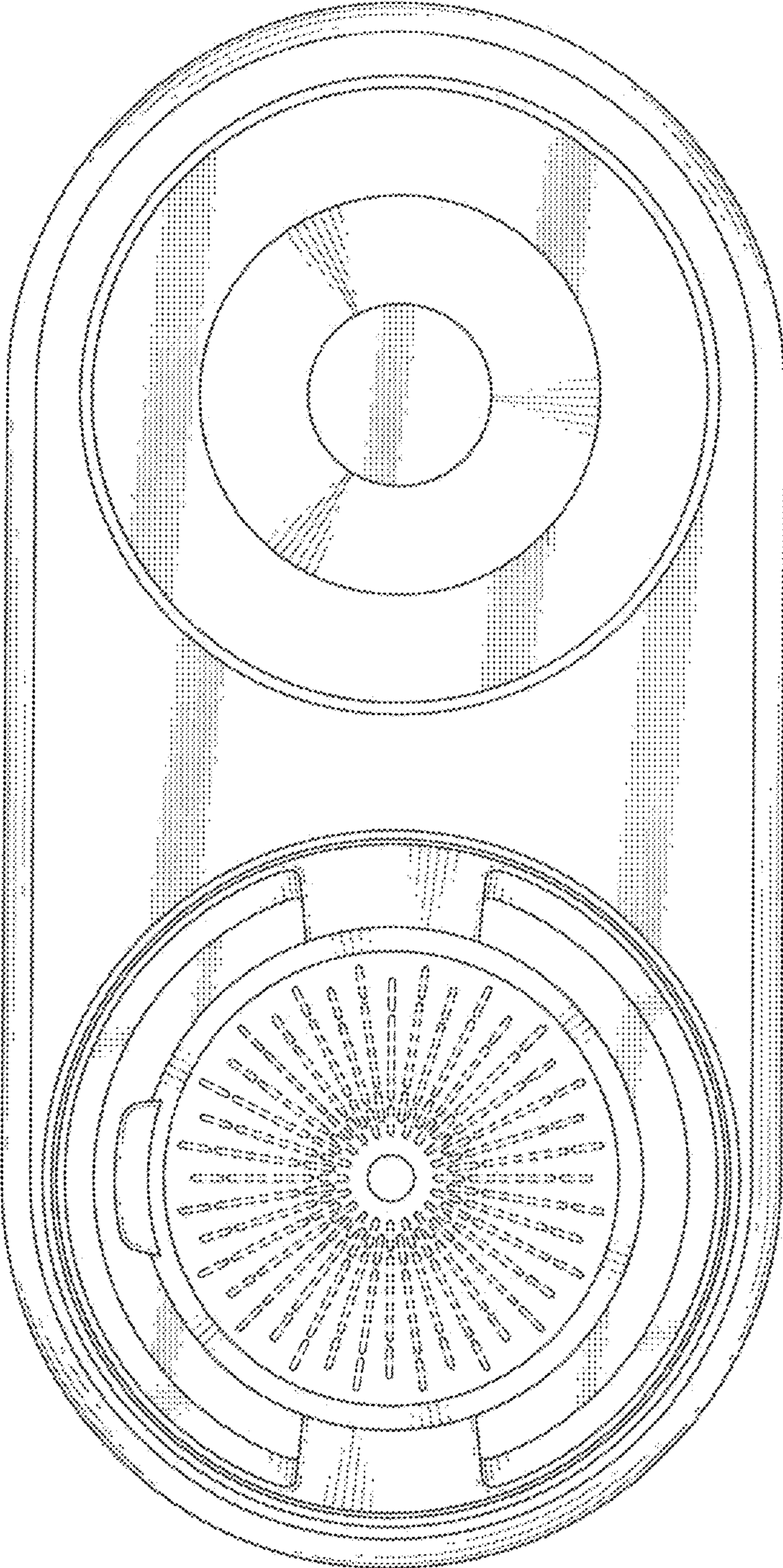


FIG. 7

