



US00D873596S

(12) **United States Design Patent** (10) **Patent No.:** **US D873,596 S**  
**Steiner** (45) **Date of Patent:** **\*\* Jan. 28, 2020**

- (54) **COFFEEMAKER**
- (71) Applicant: **Hamilton Beach Brands, Inc.**, Glen Allen, VA (US)
- (72) Inventor: **Mark C Steiner**, Midlothian, VA (US)
- (73) Assignee: **Hamilton Beach Brands, Inc.**, Glen Allen, VA (US)
- (\*\*) Term: **15 Years**
- (21) Appl. No.: **29/647,073**
- (22) Filed: **May 9, 2018**
- (51) **LOC (12) Cl.** ..... **07-01**
- (52) **U.S. Cl.**  
 USPC ..... **D7/309; D7/306; D7/311**
- (58) **Field of Classification Search**  
 USPC ..... D7/300, 309–311, 306–308, 355, 362, D7/365, 367, 379, 376; 222/146.6, 185.1, 222/135; 99/295, 273, 304, 288, 279, 99/307, 283  
 CPC ..... A47J 31/46; A47J 31/407; A47J 31/50; A47J 31/18; A47J 31/00; A47J 27/04; A47J 31/0573; A47J 31/52; A47J 31/0642; A47J 31/3628; A47J 31/4407; A47J 31/36
- See application file for complete search history.

- D690,548 S \* 10/2013 Andreesen ..... D7/309  
 D728,296 S 5/2015 Palmer  
 D734,698 S 7/2015 Hayashi  
 D737,091 S \* 8/2015 Gebhardt ..... D7/309  
 D738,149 S \* 9/2015 Ye ..... D7/306  
 D739,168 S 9/2015 Hellweg et al.  
 D742,170 S \* 11/2015 Kunz ..... D7/309  
 D742,687 S \* 11/2015 Kunz ..... D7/309  
 D769,662 S \* 10/2016 Palermo ..... D7/306  
 D771,992 S \* 11/2016 Yang ..... D7/306  
 D796,242 S \* 9/2017 Palermo ..... D7/307  
 D801,506 S \* 10/2017 Sevy ..... D23/366  
 D803,611 S \* 11/2017 Hanneson ..... D7/306  
 9,844,292 B2 \* 12/2017 Rivera ..... A47J 31/0647  
 D823,040 S \* 7/2018 Bock ..... D7/309  
 D823,628 S \* 7/2018 Steiner ..... D7/309  
 10,327,580 B2 \* 6/2019 Sato ..... A47J 31/465  
 D858,167 S \* 9/2019 Lenart ..... D7/306  
 D860,706 S \* 9/2019 Koury ..... D7/306

\* cited by examiner

*Primary Examiner* — Marianne N Pandozzi  
 (74) *Attorney, Agent, or Firm* — Alexander D. Raring

(57) **CLAIM**

The ornamental design for a coffeemaker, as shown and described.

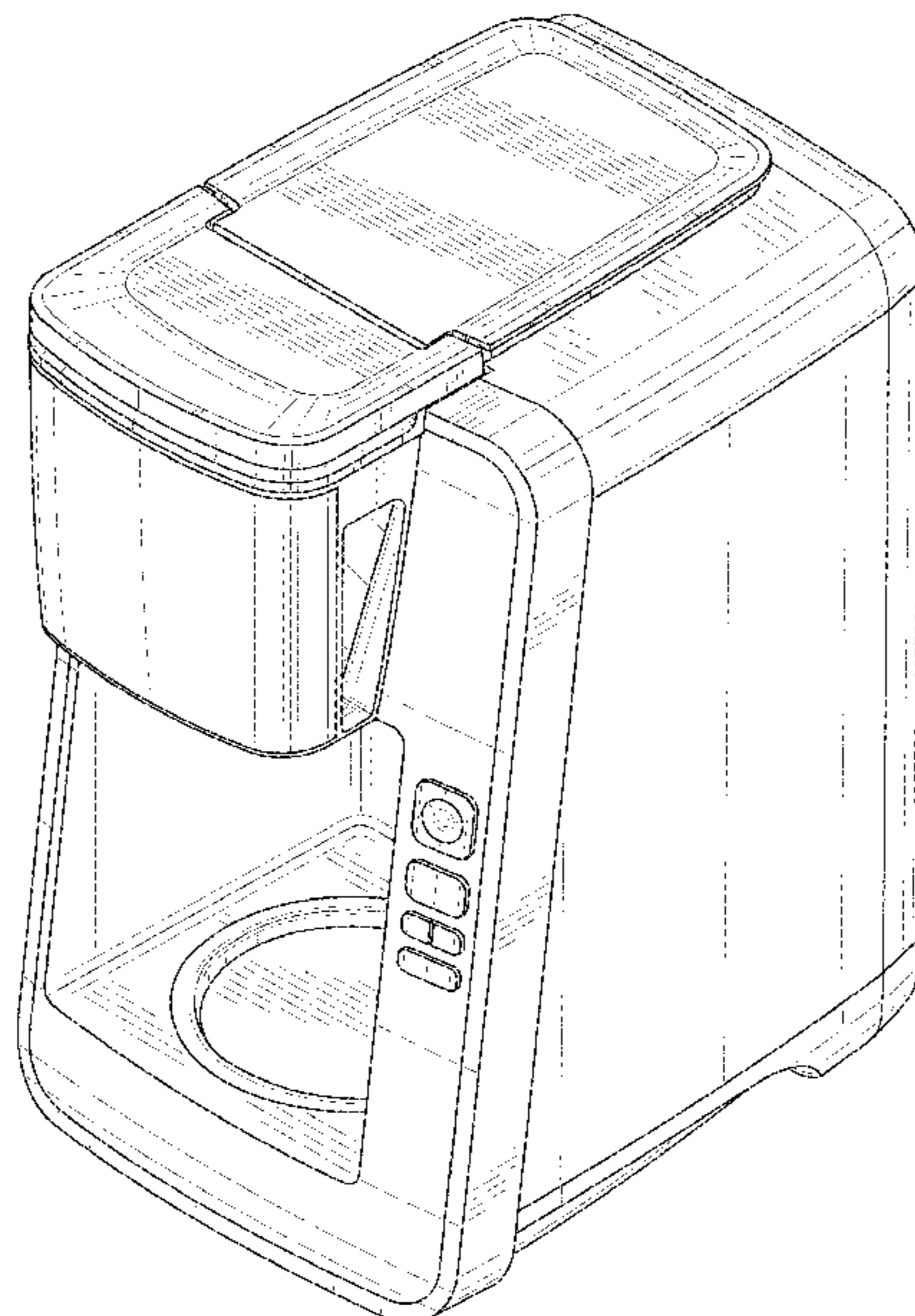
**DESCRIPTION**

FIG. 1 is a top, front and right side perspective view of a coffeemaker showing my new design;  
 FIG. 2 a front view thereof;  
 FIG. 3 is a rear view thereof;  
 FIG. 4 is a left side view thereof;  
 FIG. 5 is a right side view thereof;  
 FIG. 6 is a top plan view thereof; and,  
 FIG. 7 is a bottom plan view thereof.  
 The broken lines in the drawing depict portions of the coffeemaker that form no part of the claimed design.

**1 Claim, 7 Drawing Sheets**

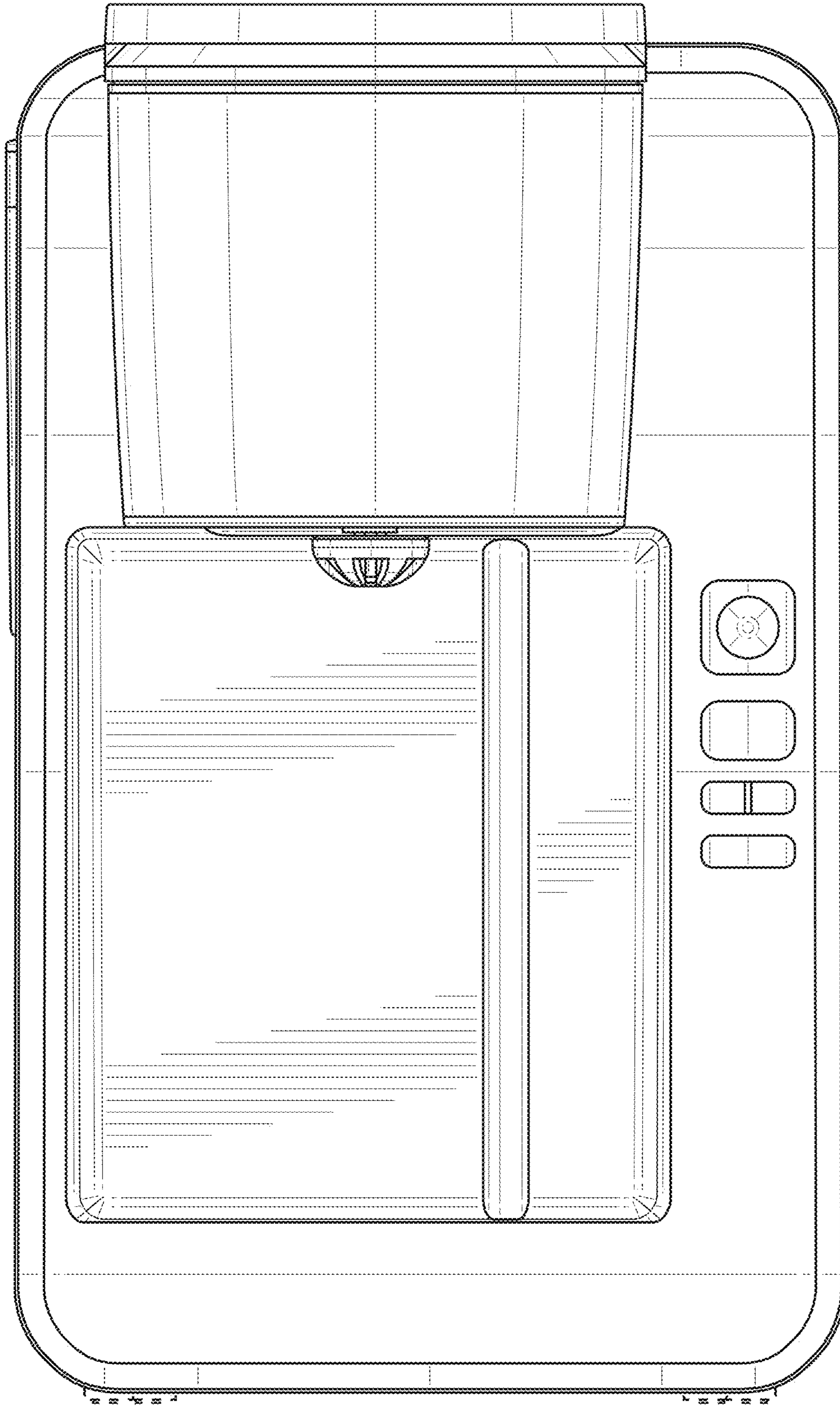
(56) **References Cited**  
 U.S. PATENT DOCUMENTS

- D486,346 S 2/2004 Jonsson  
 D515,348 S 2/2006 McWilliam  
 D571,598 S \* 6/2008 Moore ..... D7/306  
 D582,714 S \* 12/2008 Hensel ..... D7/309  
 D594,688 S \* 6/2009 Hammad ..... D7/306  
 D623,886 S \* 9/2010 Wadher ..... D7/306  
 D634,963 S \* 3/2011 Romandy ..... D7/306  
 D647,749 S \* 11/2011 De' Longhi ..... D7/309  
 D685,600 S \* 7/2013 White ..... D7/309

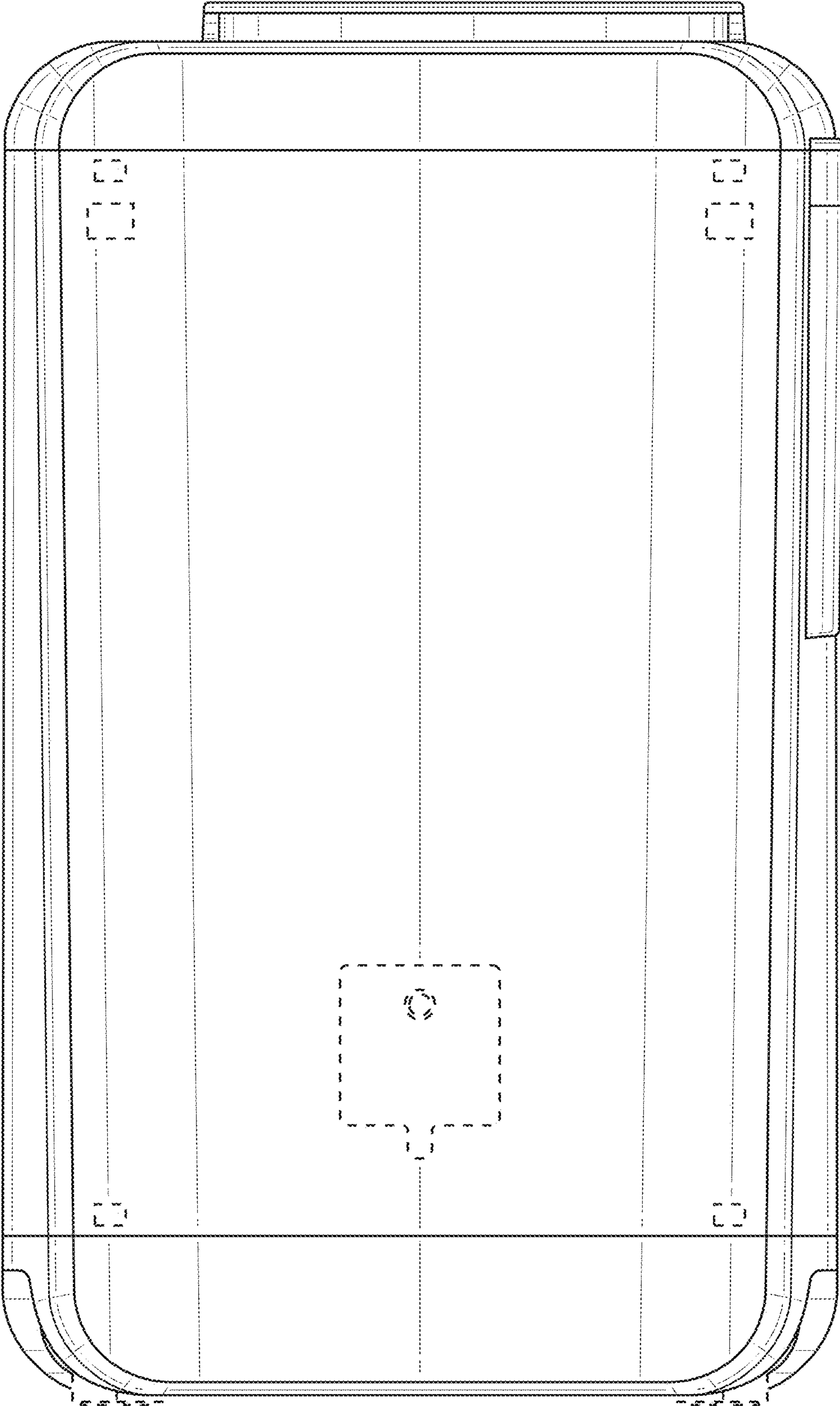




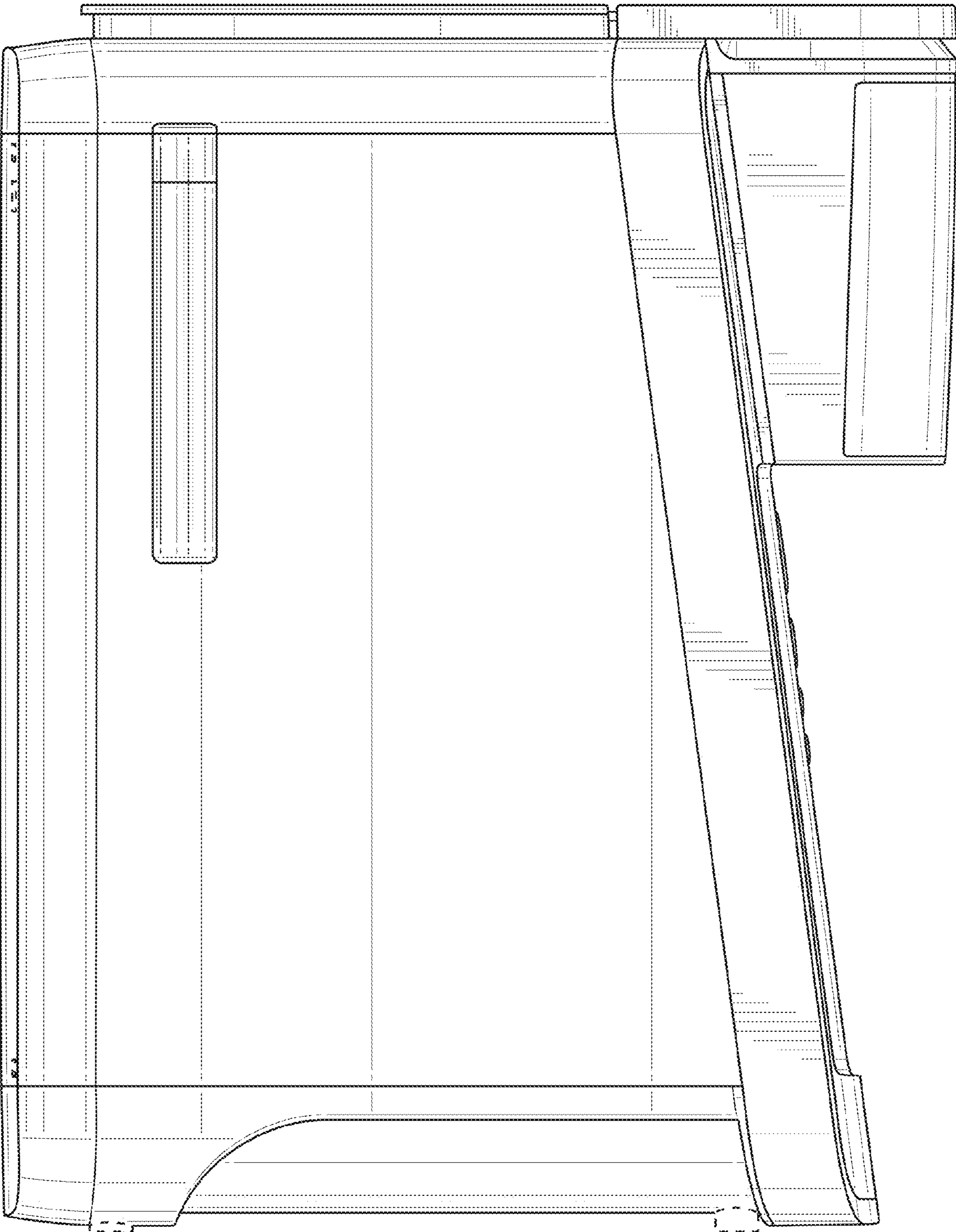
**FIG. 1**



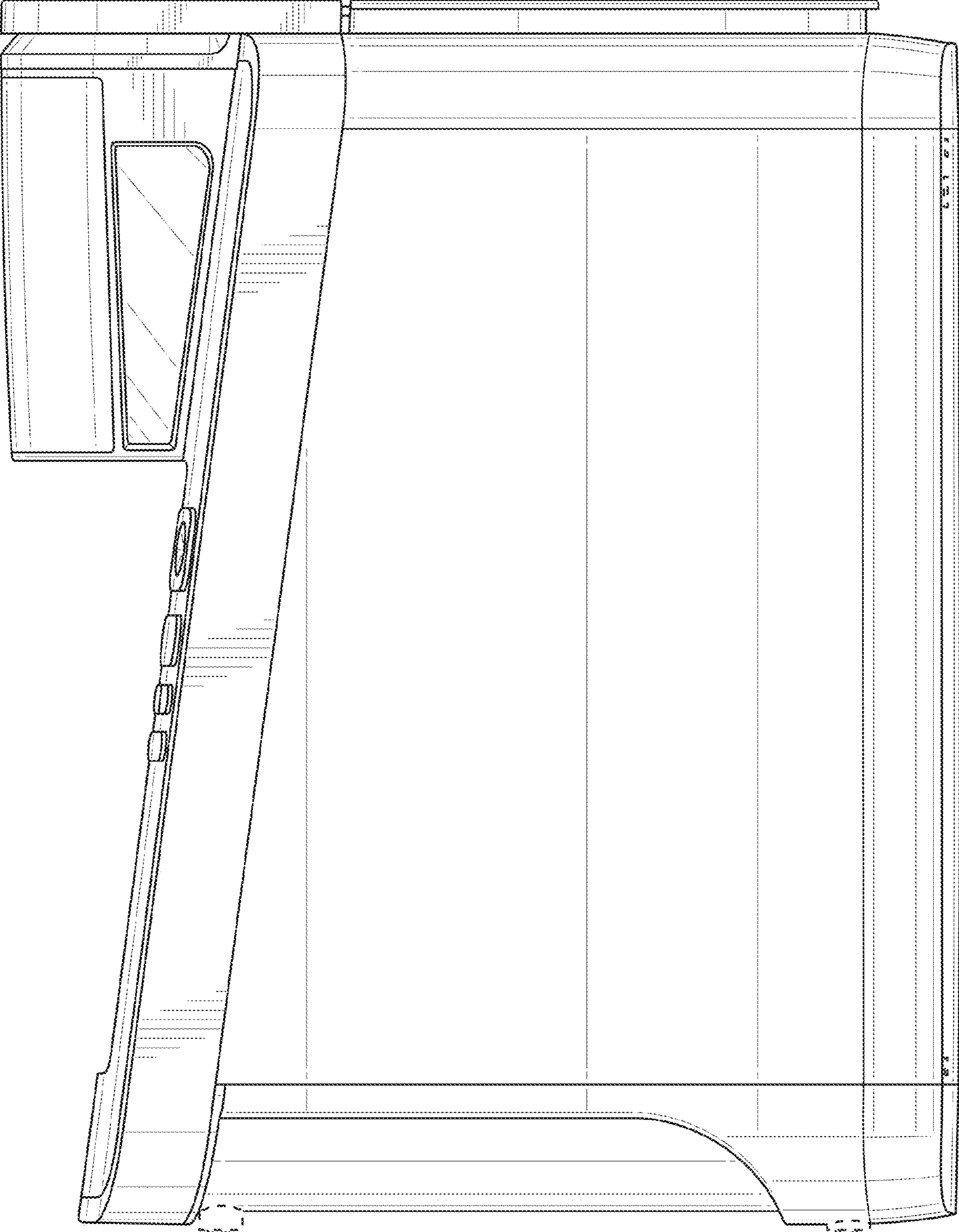
**FIG. 2**



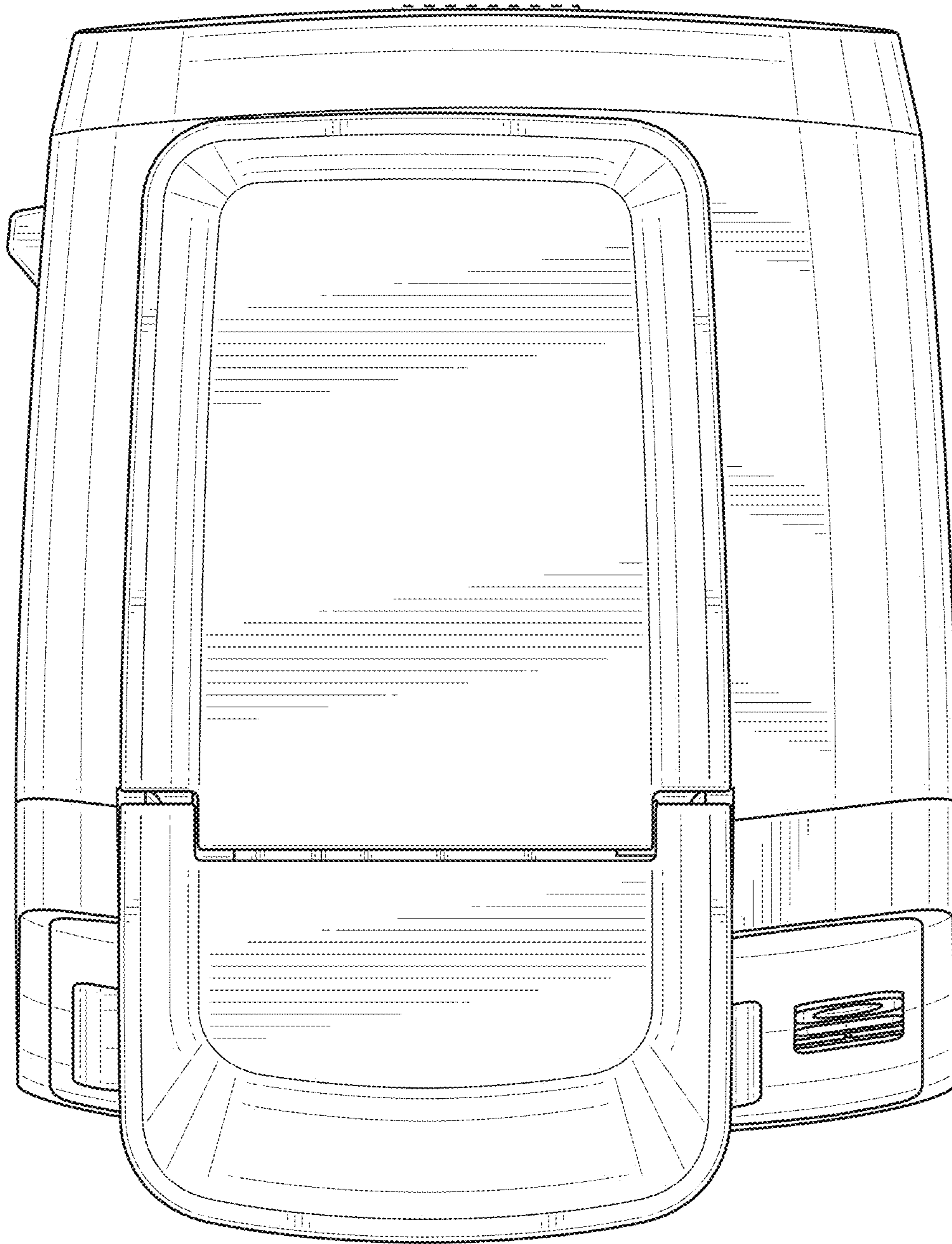
**FIG. 3**



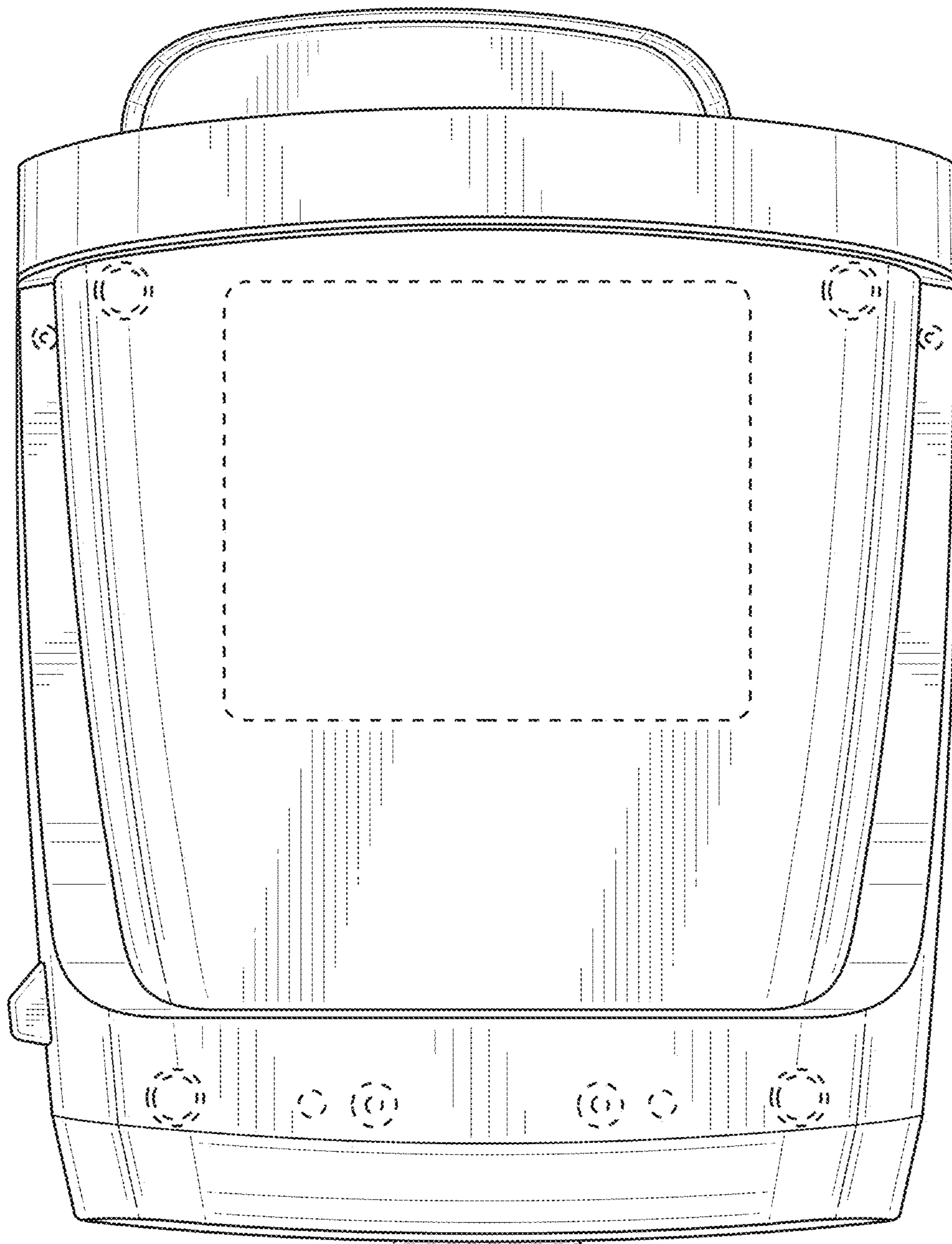
**FIG. 4**



**FIG. 5**



**FIG. 6**



**FIG. 7**