



US00D873595S

(12) **United States Design Patent**  
**Kumazawa**

(10) **Patent No.:** **US D873,595 S**

(45) **Date of Patent:** **\*\* Jan. 28, 2020**

(54) **SEATING UNIT**

(71) Applicant: **AICHI CO., LTD.**, Aichi-Ken (JP)

(72) Inventor: **Taku Kumazawa**, Nagoya (JP)

(\*\*) Term: **15 Years**

(21) Appl. No.: **35/505,814**

(22) Filed: **Mar. 29, 2018**

(80) **Hague Agreement Data**

Int. Filing Date: **Mar. 29, 2018**

Int. Reg. No.: **DM/101102**

Int. Reg. Date: **Mar. 29, 2018**

Int. Reg. Pub. Date: **Oct. 5, 2018**

(51) **LOC (12) Cl.** ..... **06-01**

(52) **U.S. Cl.**  
USPC ..... **D6/716.4**

(58) **Field of Classification Search**

USPC ..... D6/334, 335, 356, 379, 381, 369, 380,  
D6/716, 716.1, 716.4

CPC .. A47C 1/00; A47C 1/12; A47C 1/121; A47C  
1/124; A47C 1/126; A47C 3/00; A47C  
4/00; A47C 4/022; A47C 7/00; A47C  
7/02; A47C 7/16; A47C 7/36; A47C 7/40;  
A47C 7/543; A47C 11/00; A47C 11/005

See application file for complete search history.

(56) **References Cited**

**U.S. PATENT DOCUMENTS**

- 4,114,949 A \* 9/1978 Benoit ..... A47C 4/022  
297/232
- D254,106 S \* 2/1980 Benoit ..... D6/369
- 5,765,804 A \* 6/1998 Stumpf ..... A47C 1/03  
248/631
- D401,077 S \* 11/1998 Lewis ..... D6/369

- D453,637 S \* 2/2002 Kane ..... D6/375
- D482,550 S \* 11/2003 Kane ..... D6/381
- D498,077 S \* 11/2004 Tonizzo ..... A47C 4/022  
D6/381
- D513,670 S \* 1/2006 Yamagata ..... A47C 1/03  
D6/379
- D540,080 S \* 4/2007 Su ..... A47C 7/543  
D6/366
- D754,464 S \* 4/2016 Saotome ..... D6/716.4
- D762,074 S \* 7/2016 Gibilterra ..... D6/381
- 2013/0320731 A1 \* 12/2013 Liu ..... A47C 7/543  
297/338

\* cited by examiner

*Primary Examiner* — Mary Ann Calabrese

(57) **CLAIM**

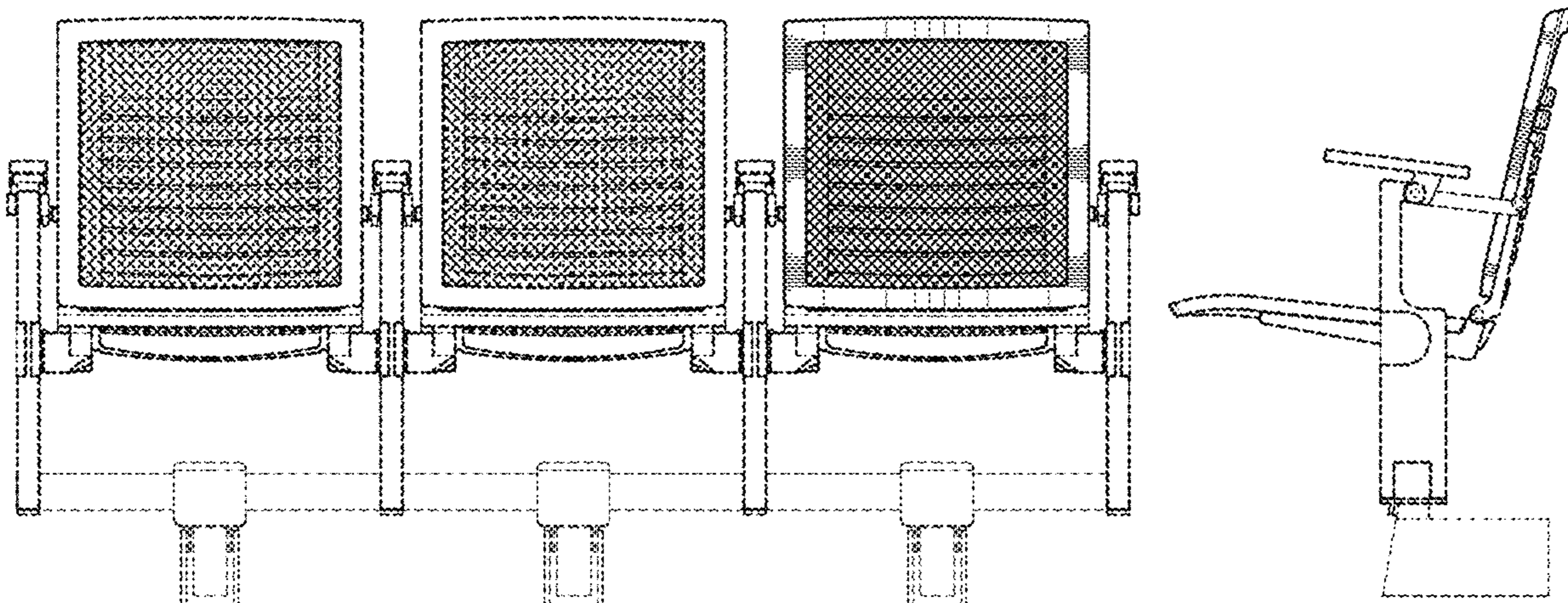
The ornamental design for seating unit, as shown and described.

**DESCRIPTION**

- 1. Seating unit
- 1.1 : Front
- 1.2 : Back
- 1.3 : Top
- 1.4 : Bottom
- 1.5 : Left
- 1.6 : Right
- 1.7 : Cross-sectional view
- 1.8 : Cross-sectional
- 1.9 : Enlarged

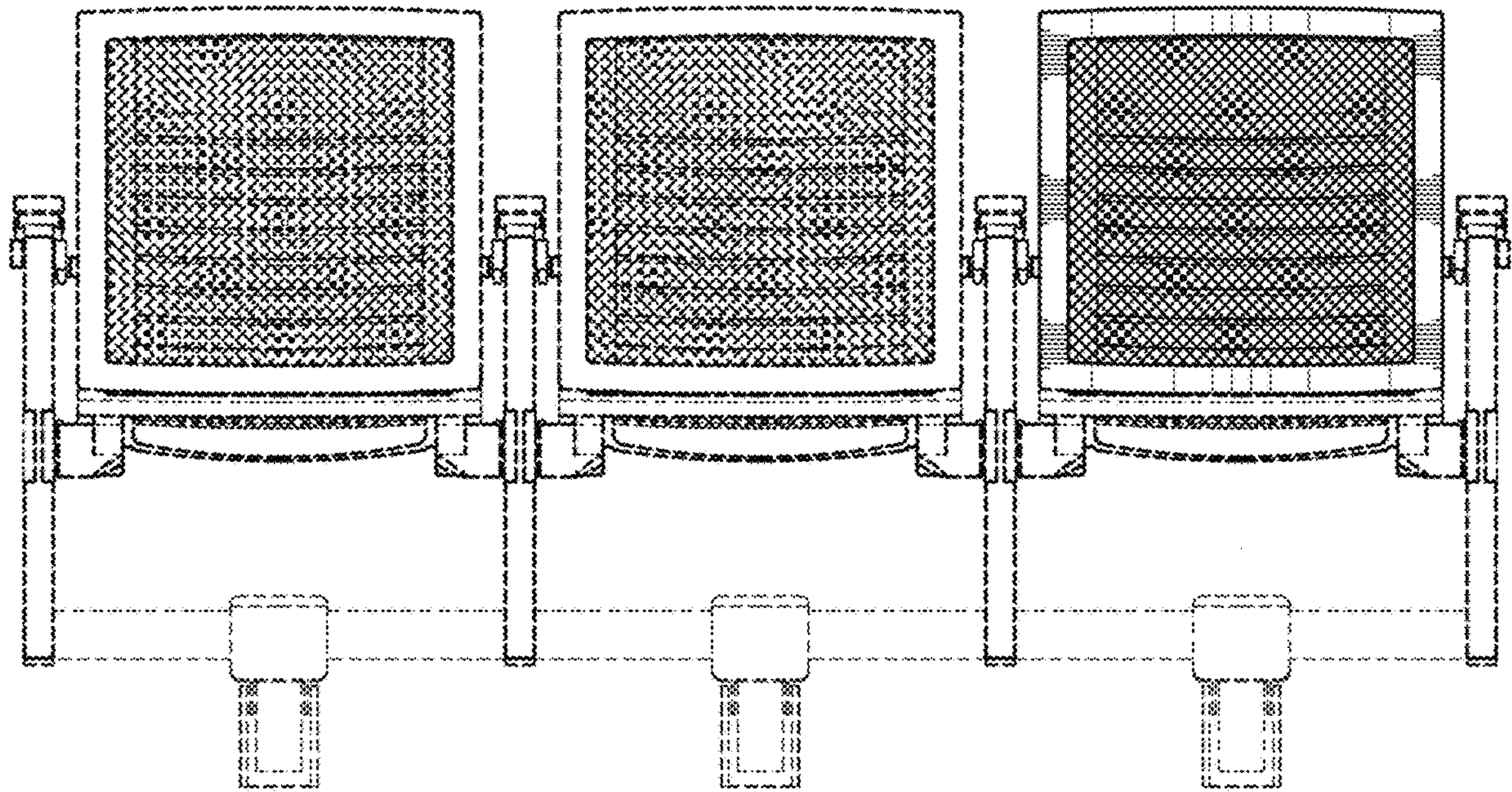
Portions of the reproductions shown in broken lines are not part of the claimed design. Reproduction 1.7 is a cross-sectional view of the backrest of the seating unit horizontally sectioned from a higher portion of the backrest. Reproduction 1.8 is a cross-sectional view vertically sectioned at the center of the seating unit. Reproduction 1.9 is an enlarged view of reproduction 1.8.

**1 Claim, 9 Drawing Sheets**

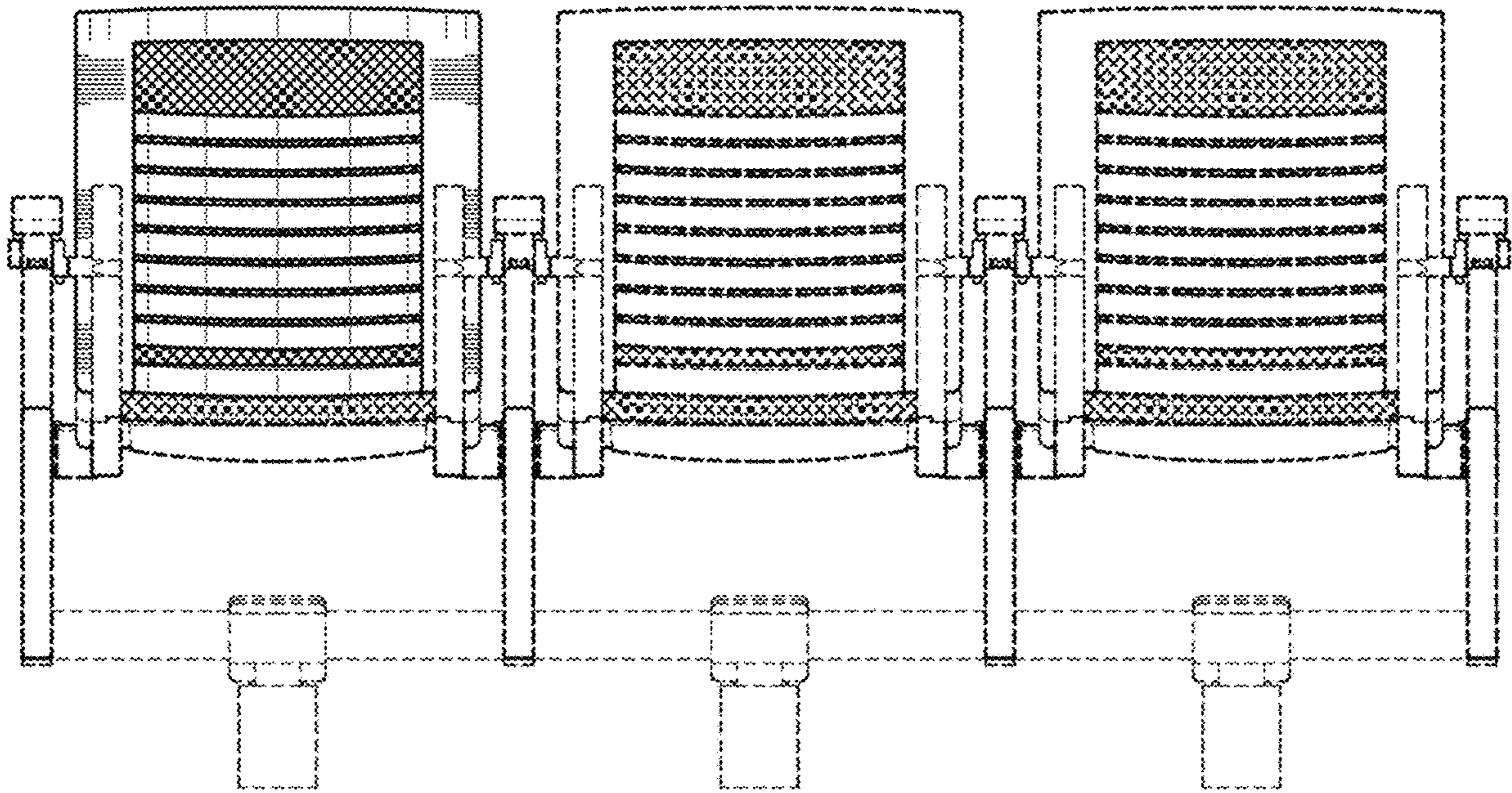




1.1

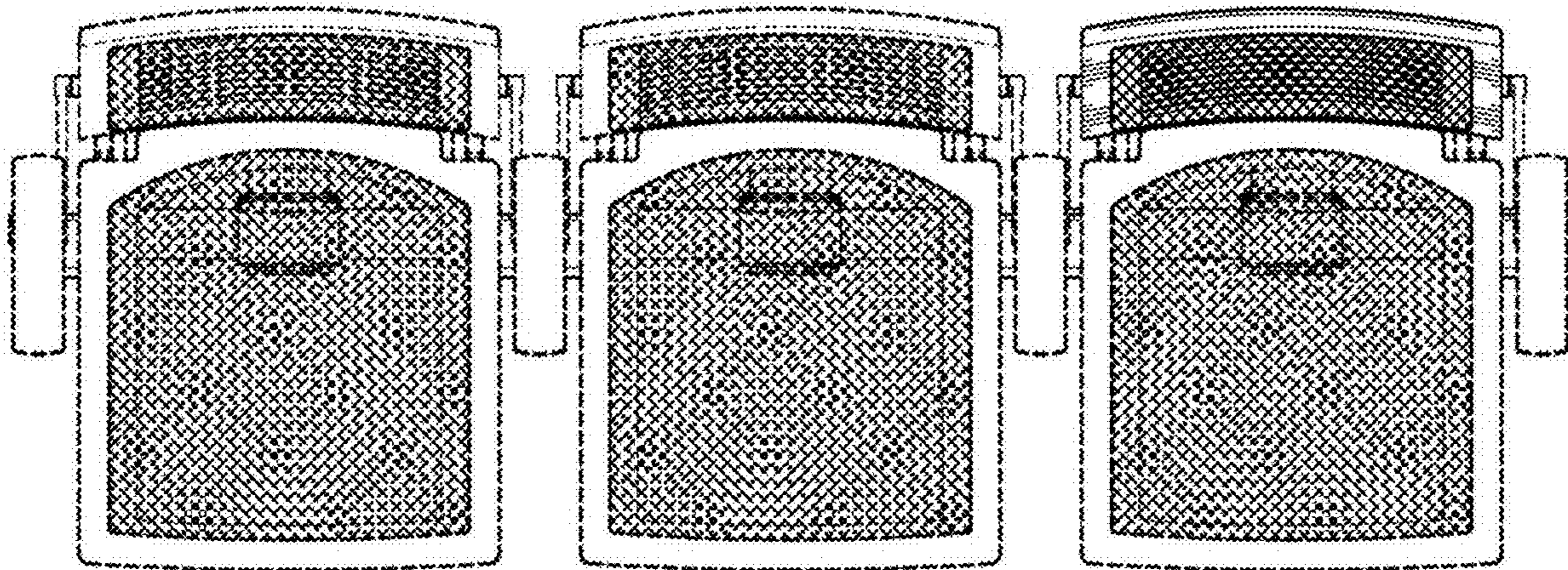


1.2



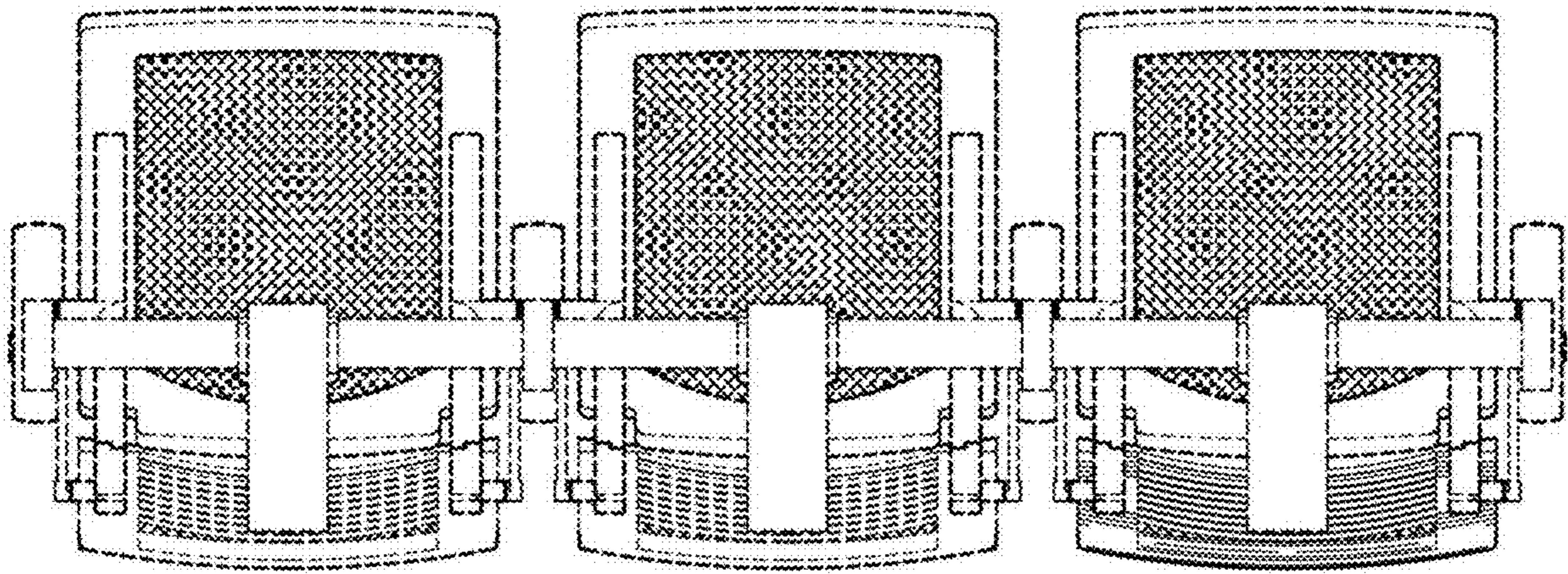


1.3

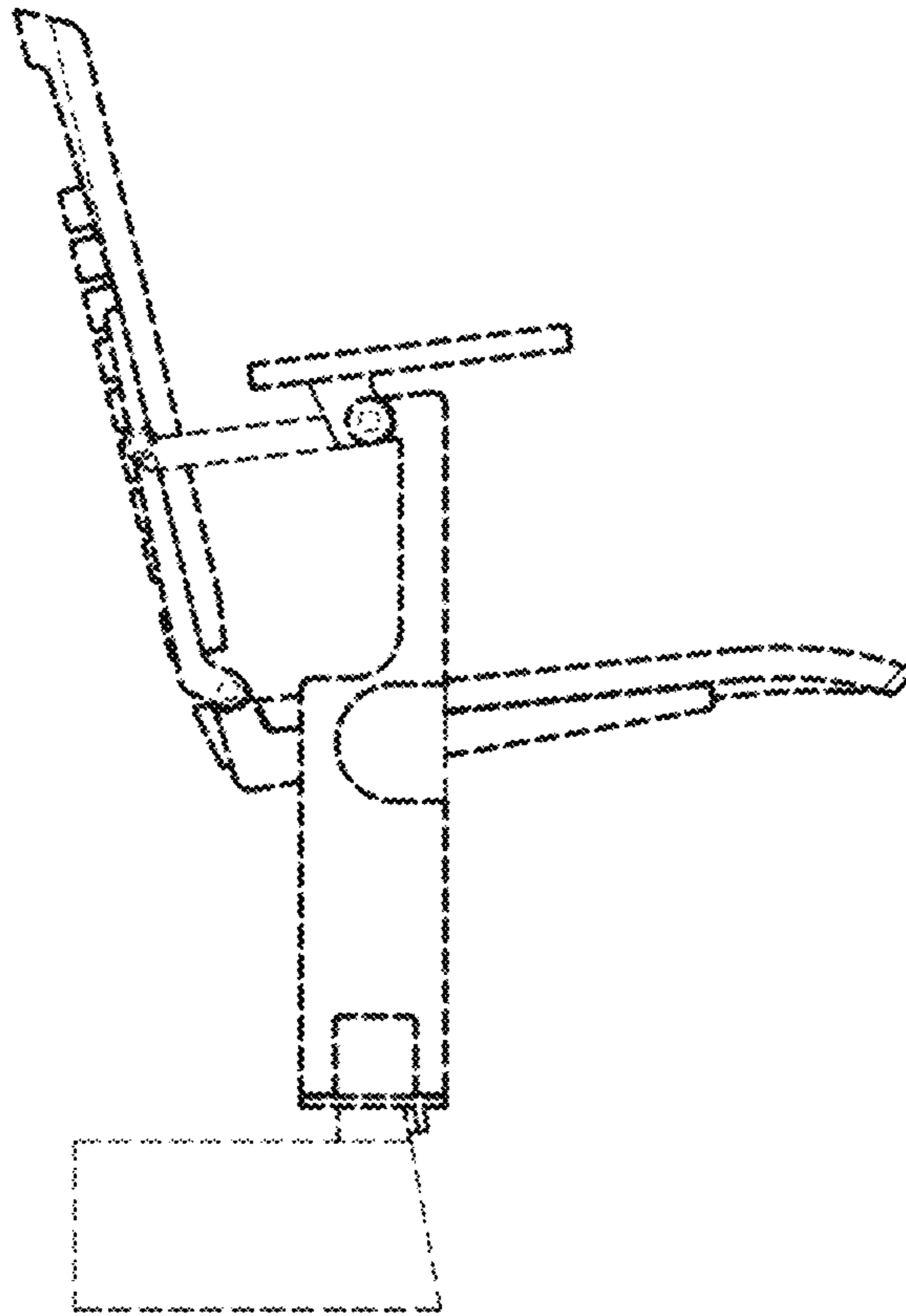




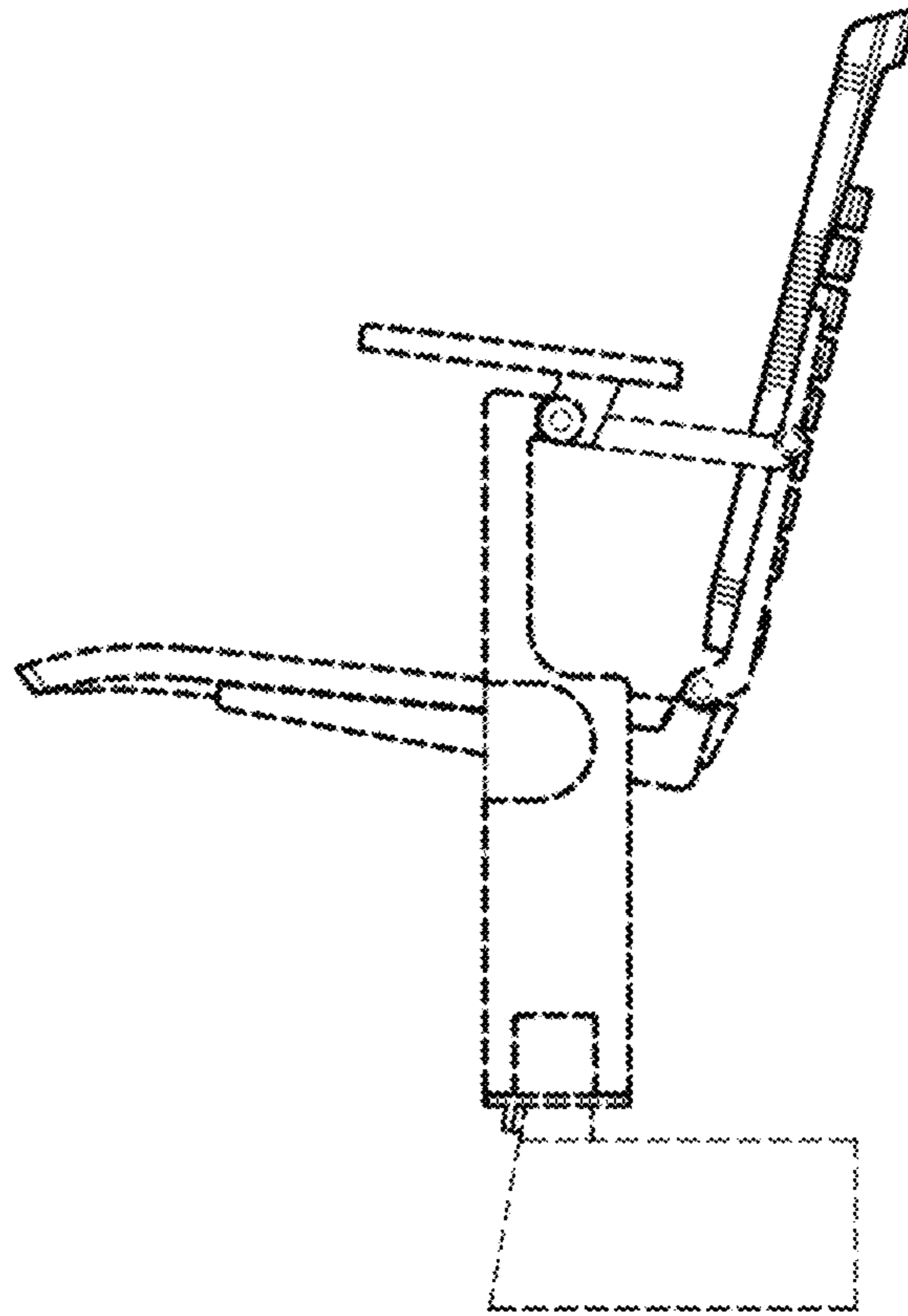
1.4



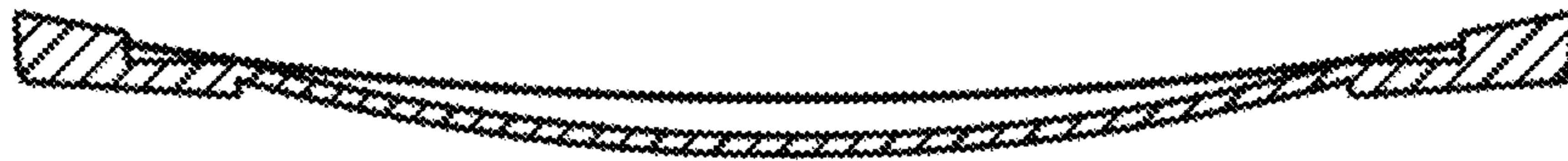
1.5



1.6

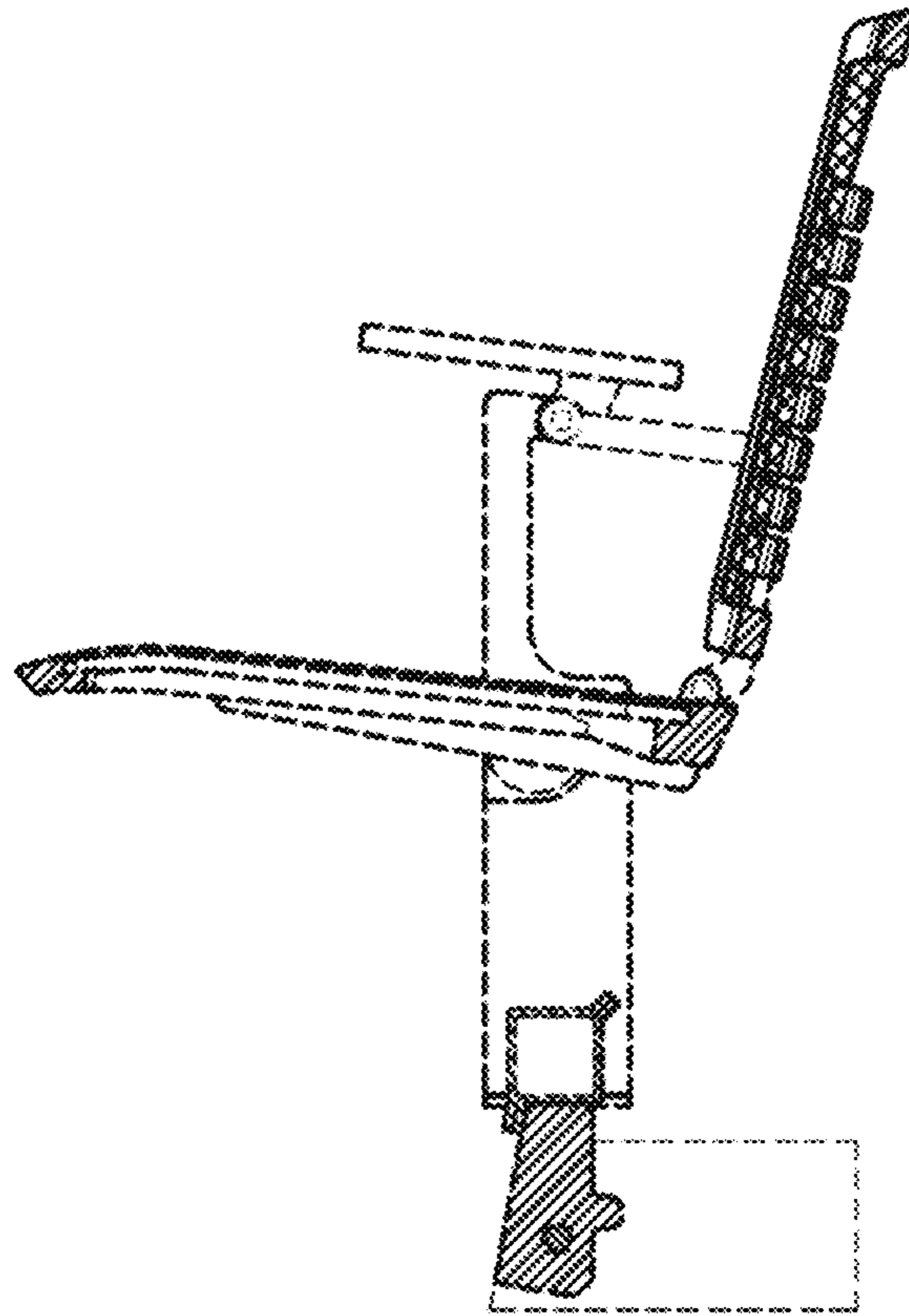


1.7





1.8



1.9

