



US00D873594S

(12) **United States Design Patent**
Powell

(10) **Patent No.:** **US D873,594 S**
(45) **Date of Patent:** **** Jan. 28, 2020**

- (54) **TABLE**
- (71) Applicant: **Assa Group, Inc.**, Lowell, MI (US)
- (72) Inventor: **David J. Powell**, Lowell, MI (US)
- (73) Assignee: **Assa Group, Inc.**, Lowell, MI (US)
- (**) Term: **15 Years**
- (21) Appl. No.: **29/650,966**
- (22) Filed: **Jun. 11, 2018**
- (51) **LOC (12) Cl.** **06-06**
- (52) **U.S. Cl.**
USPC **D6/708.17**
- (58) **Field of Classification Search**
USPC D6/685, 686, 692, 692.1–692.6, 702,
D6/708.16, 708.17, 709, 709.16
CPC A47B 7/00; A47B 13/00; A47B 13/02;
A47B 13/023; A47B 21/02; A47B 91/00;
A47B 2200/0011; A47B 2200/002; A47B
2200/0021; A47B 2200/0051; A47B
2200/0052
See application file for complete search history.

- D511,257 S * 11/2005 Chabot D6/691.4
- D750,405 S * 3/2016 Muller D6/708.17
- D855,363 S * 8/2019 Grossinger D6/691
- D858,149 S * 9/2019 Powell D6/671
- 2019/0021486 A1* 1/2019 Yu A47B 9/00

* cited by examiner

Primary Examiner — Mary Ann Calabrese
(74) *Attorney, Agent, or Firm* — Oppenhuizen Law PLC;
David L. Oppenhuizen

(57) **CLAIM**

The ornamental design for a table, as shown and described.

DESCRIPTION

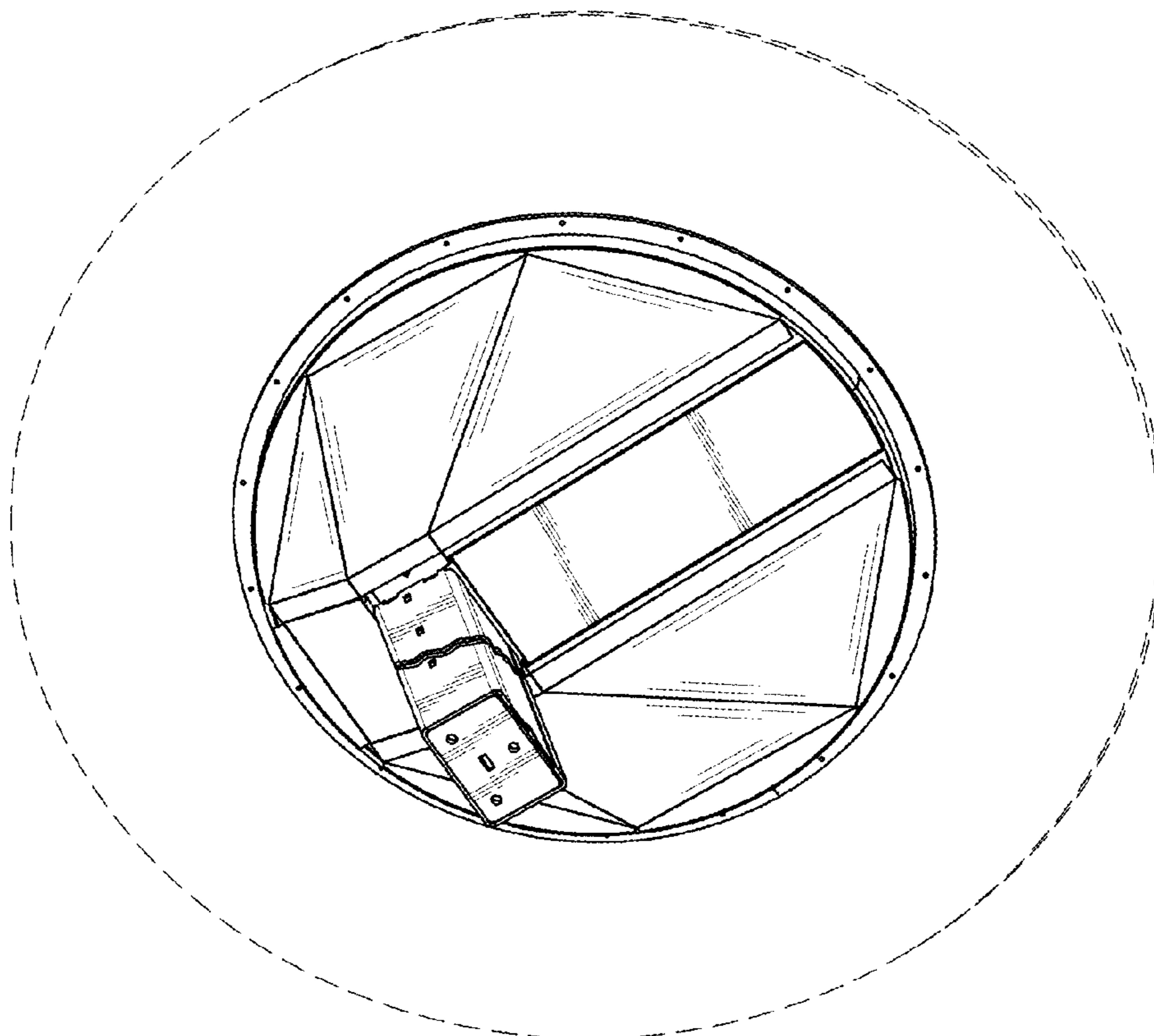
FIG. 1 is a bottom perspective view of a table showing the new design;
FIG. 2 is a rear view;
FIG. 3 is a front view;
FIG. 4 is a left view;
FIG. 5 is a right view;
FIG. 6 is a bottom view; and,
FIG. 7 is a top view.
The dashed broken lines represent structure or features that form no part of the claimed design. The table is shown with a symbolic break in its length. The appearance of any portion of the table between the break lines forms no part of the claimed design.

(56) **References Cited**

U.S. PATENT DOCUMENTS

- D459,623 S * 7/2002 Tramontina A47B 9/00
D6/515
- D476,512 S * 7/2003 Glass D6/709

1 Claim, 7 Drawing Sheets



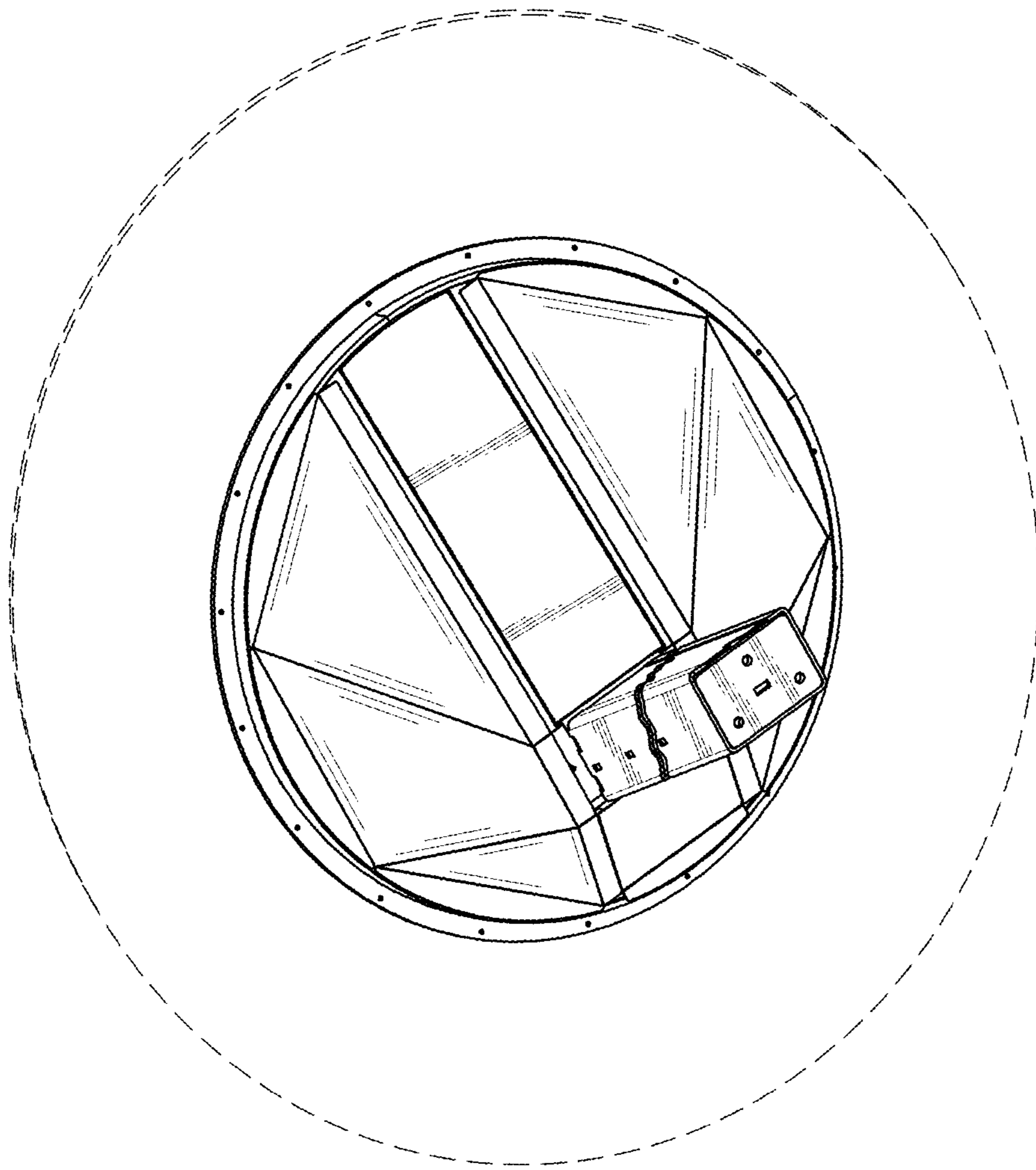


FIG. 1

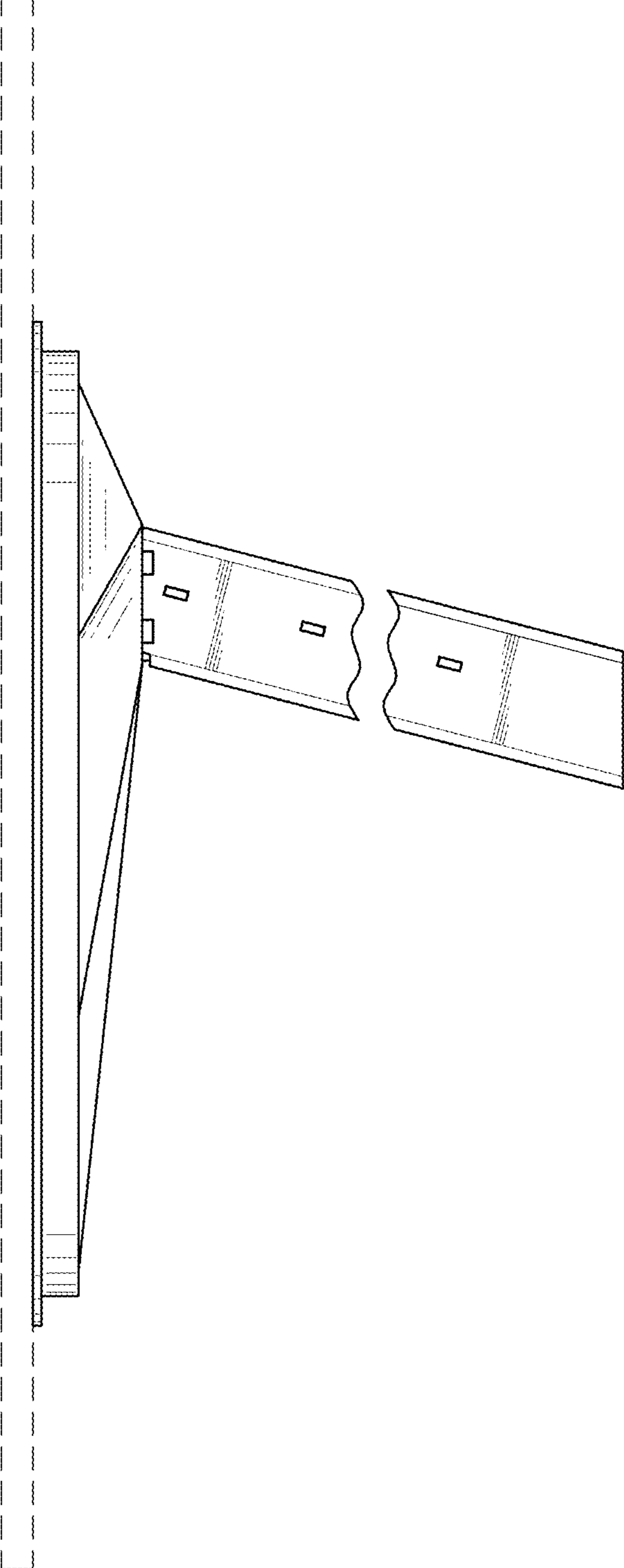


FIG. 2

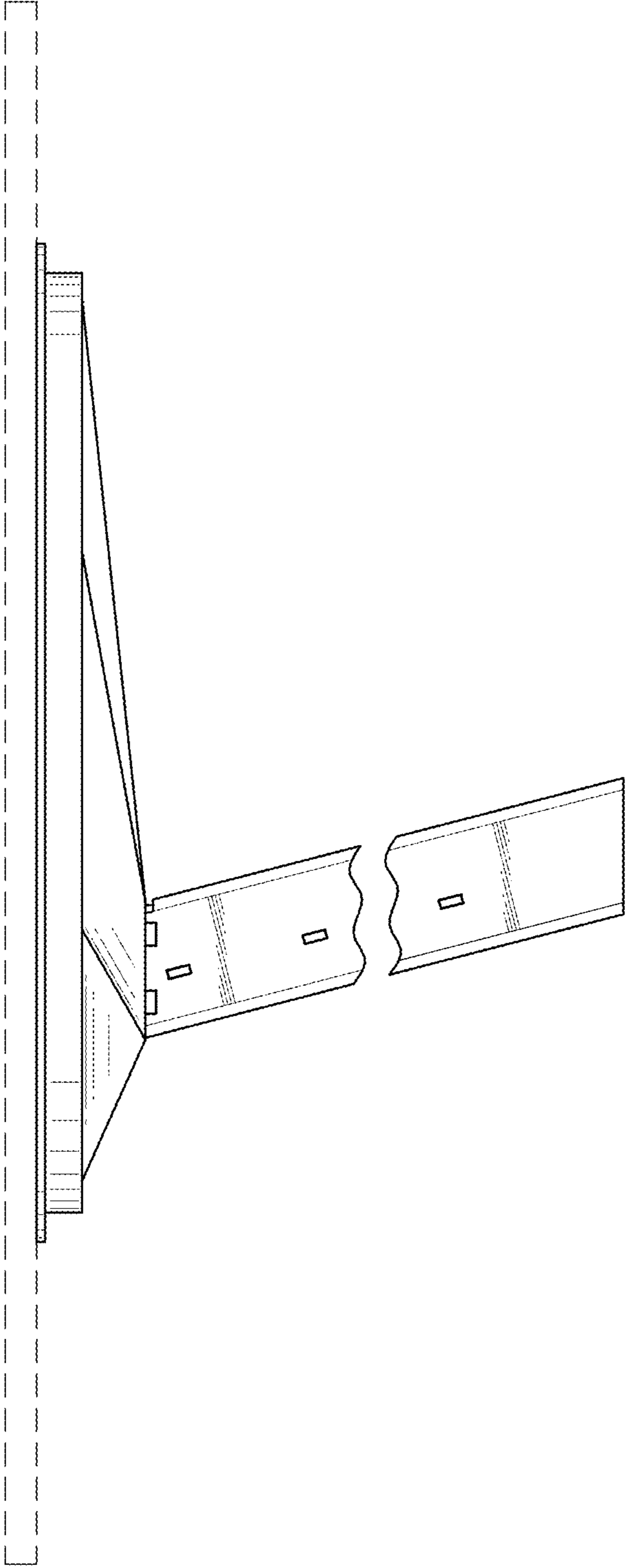


FIG. 3

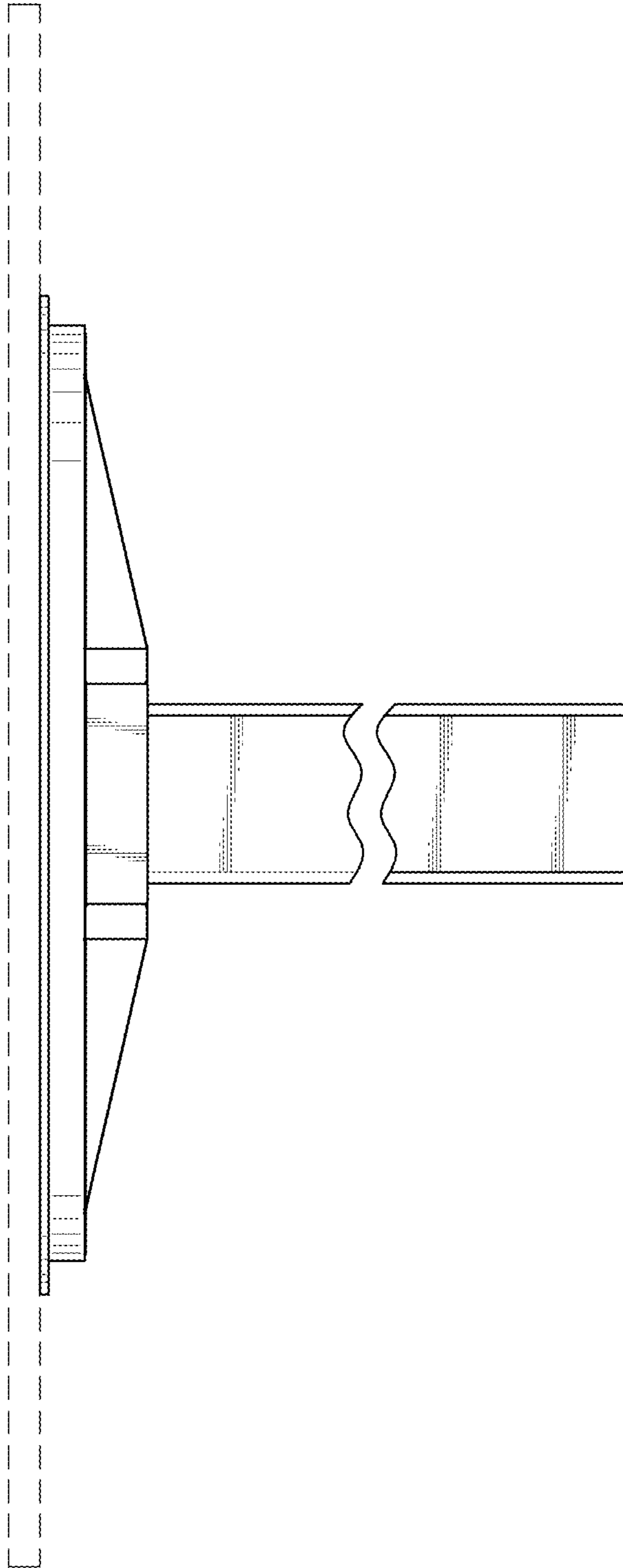


FIG. 4

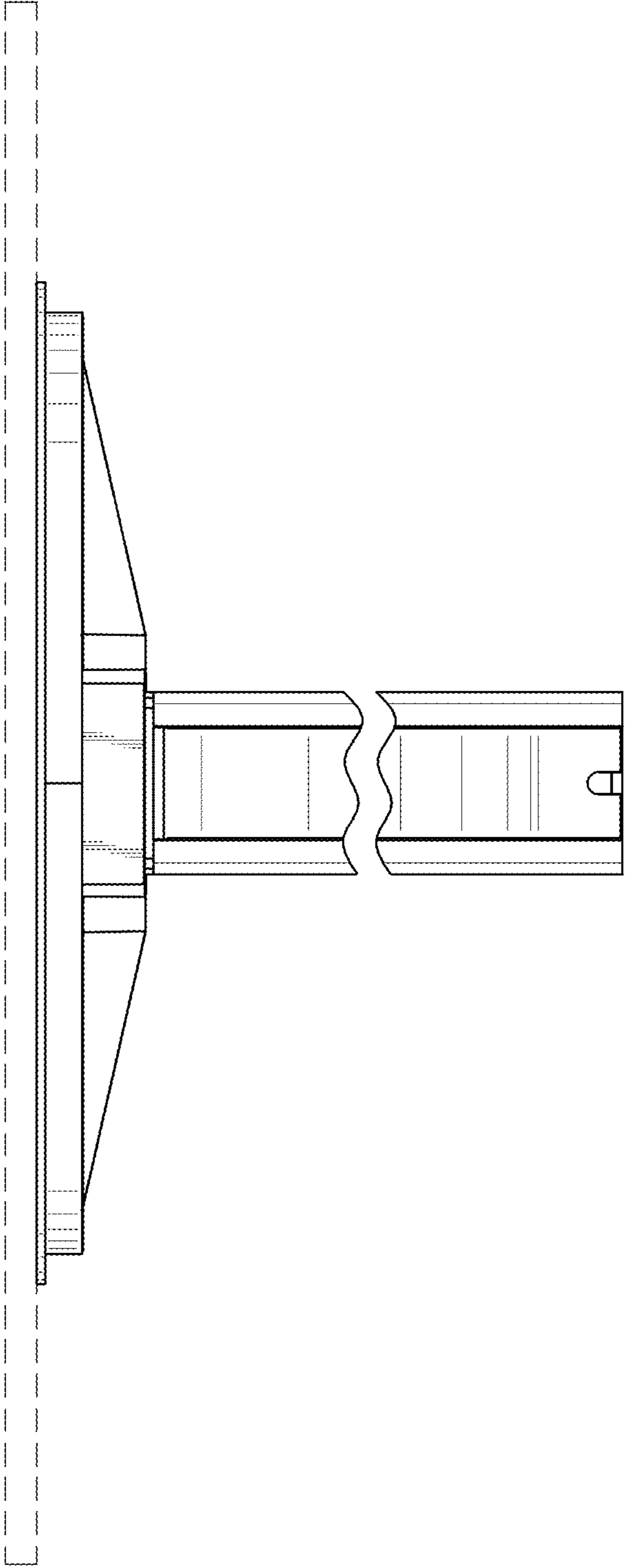


FIG. 5

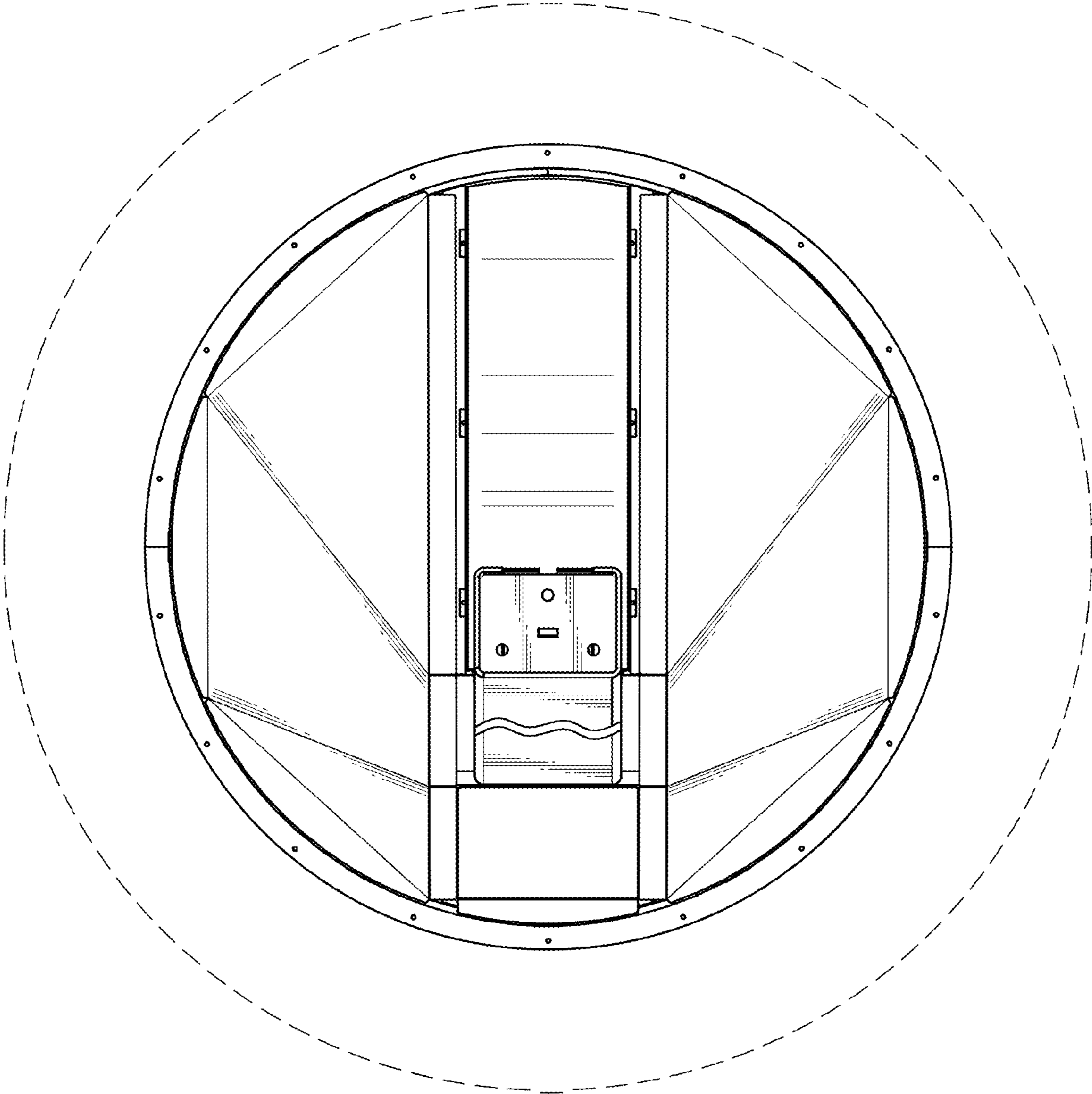


FIG. 6

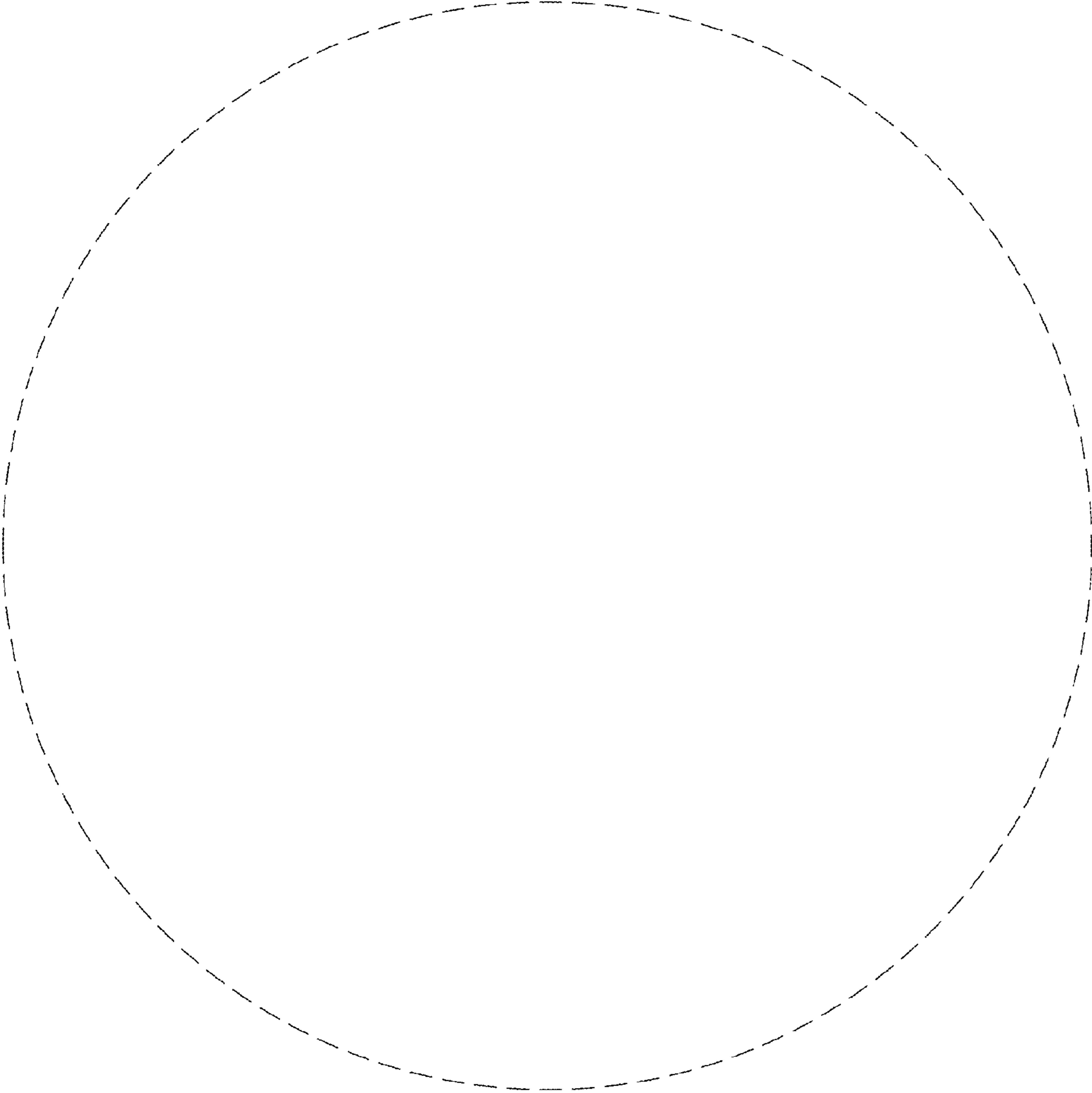


FIG. 7