



US00D873588S

(12) **United States Design Patent**
Xiaojun

(10) **Patent No.:** **US D873,588 S**

(45) **Date of Patent:** **** Jan. 28, 2020**

(54) **DISPLAY RACK**

(71) Applicant: **Shanghai Qiangsen Trading Co., Ltd.**,
Shanghai (CN)

(72) Inventor: **Chen Xiaojun**, Shanghai (CN)

(**) Term: **15 Years**

(21) Appl. No.: **29/666,874**

(22) Filed: **Oct. 16, 2018**

(51) **LOC (12) Cl.** **06-06**

(52) **U.S. Cl.**
USPC **D6/675.3**

(58) **Field of Classification Search**

USPC D6/672, 675, 675.2, 675.1, 675.3;
D7/600.1, 600.4, 601-602

CPC A47B 73/00; A47B 81/00; A47F 5/0018;
A47F 5/16; A47F 7/00; A47F 7/28; A47J
47/16

See application file for complete search history.

(56) **References Cited**

U.S. PATENT DOCUMENTS

D28,415 S *	3/1898	Warren	D6/675.3
2,321,339 A *	6/1943	Wadsworth	A47F 7/02 206/560
D181,560 S *	11/1957	Varnado	D25/65
D207,564 S *	5/1967	Hartford	D7/600.1
3,870,333 A *	3/1975	Burdick	E06C 1/397 280/47.35
D372,374 S *	8/1996	Weterrings	D6/663
5,570,540 A *	11/1996	Womack	A47G 7/041 211/186

D507,431 S *	7/2005	Goth	D6/675.3
D518,316 S *	4/2006	Gusdorf	D6/675.3
D524,577 S *	7/2006	Gusdorf	D6/675.3
D543,383 S *	5/2007	Edison	D6/675.3
D555,936 S *	11/2007	King	D6/675.3
D599,582 S *	9/2009	DeCardenas	D6/675.3
D642,582 S *	8/2011	Largy	D14/447
D680,353 S *	4/2013	Hawkins	D6/682.4
D716,590 S *	11/2014	Hsu	D6/675.3
D720,951 S *	1/2015	Hawkins	D6/682.2
D737,079 S *	8/2015	Tsai	D6/675.3
D796,874 S *	9/2017	Greenwood	D6/675.3
D801,089 S *	10/2017	Greenwood	D6/675.3
D802,370 S *	11/2017	Tsai	D7/600.4
D813,575 S *	3/2018	Kraemer	D6/675.3
D844,349 S *	4/2019	Burton	D6/672
D848,768 S *	5/2019	Johnson	D6/662.1

* cited by examiner

Primary Examiner — Kelley A Donnelly

(74) *Attorney, Agent, or Firm* — Keith Swedo

(57) **CLAIM**

I claim the ornamental design for a display rack, as shown and described.

DESCRIPTION

FIG. 1 is a perspective view of a display rack of the claimed design;

FIG. 2 is a front view thereof;

FIG. 3 is a rear view thereof;

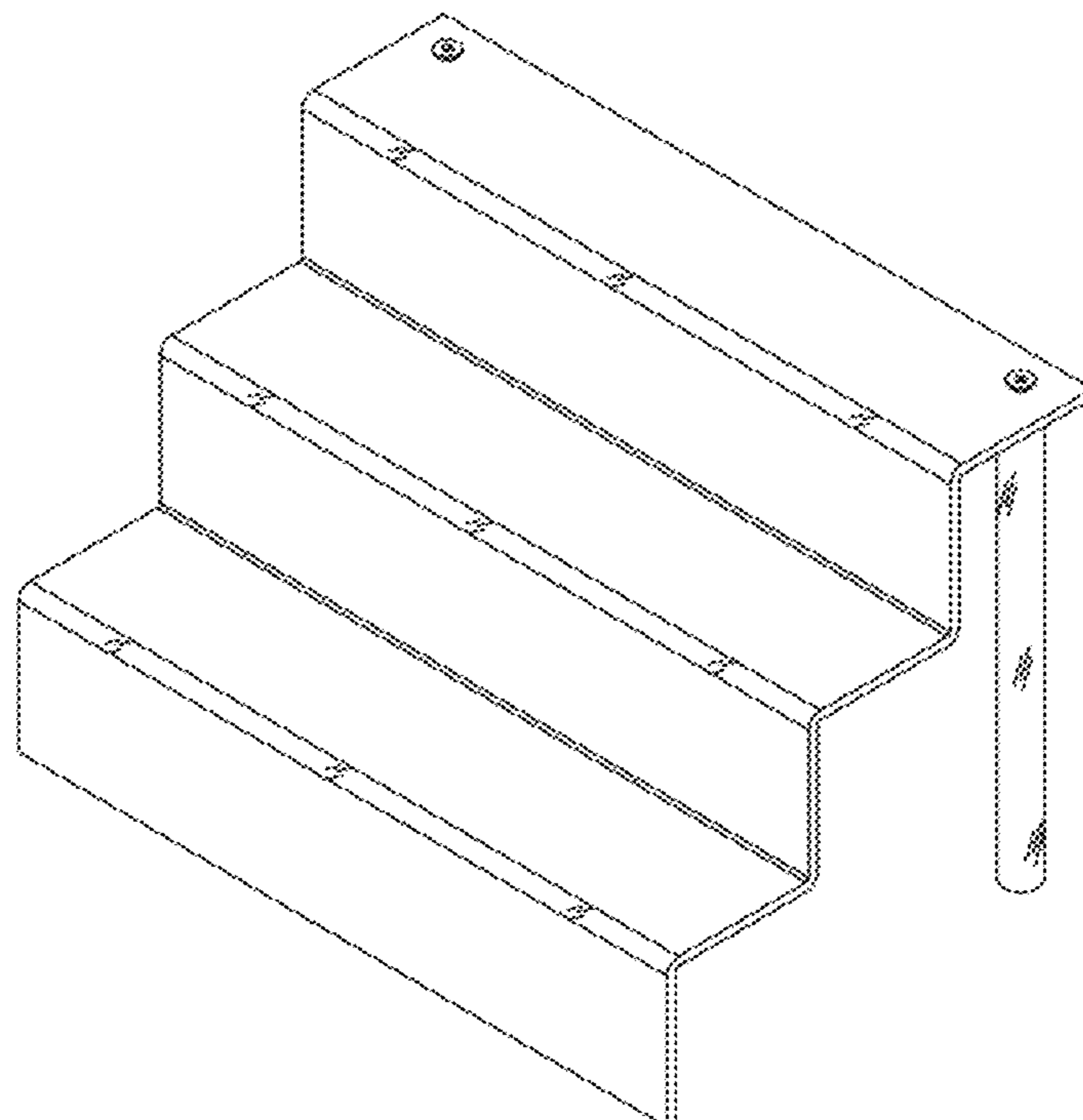
FIG. 4 is a top view thereof;

FIG. 5 is a bottom view thereof;

FIG. 6 is a left view thereof; and,

FIG. 7 is a right view thereof.

1 Claim, 4 Drawing Sheets



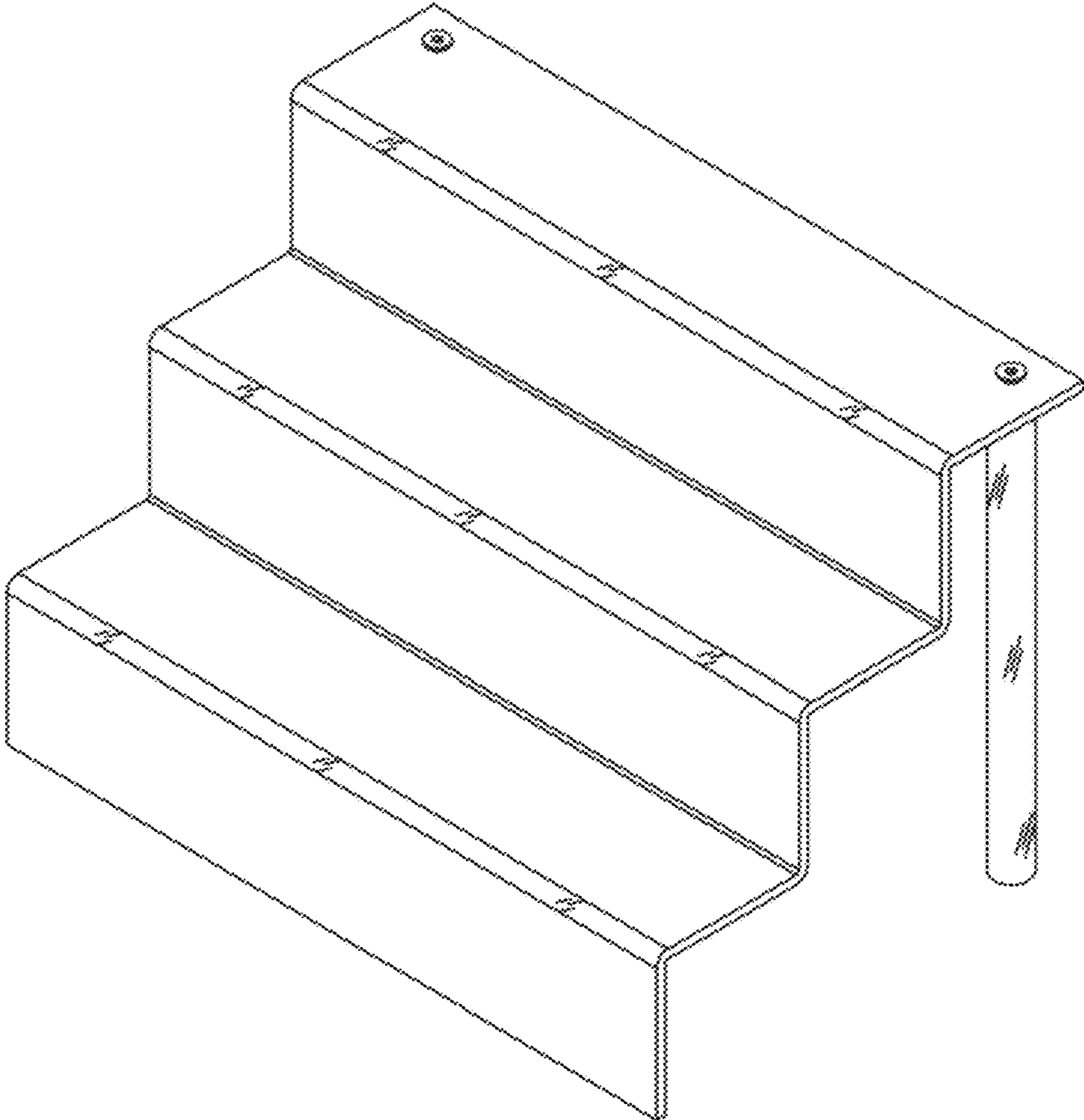


FIG. 1

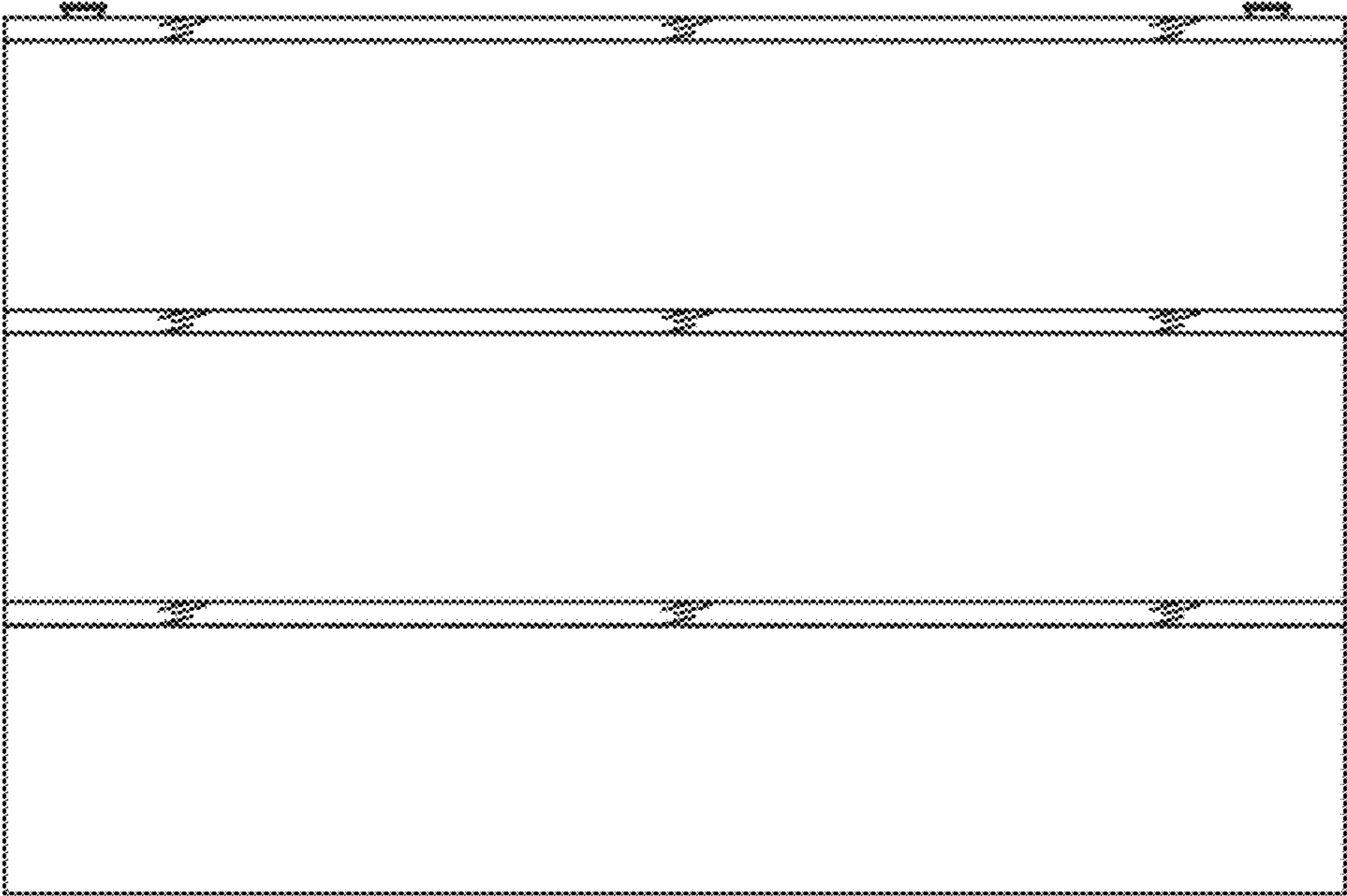


FIG. 2

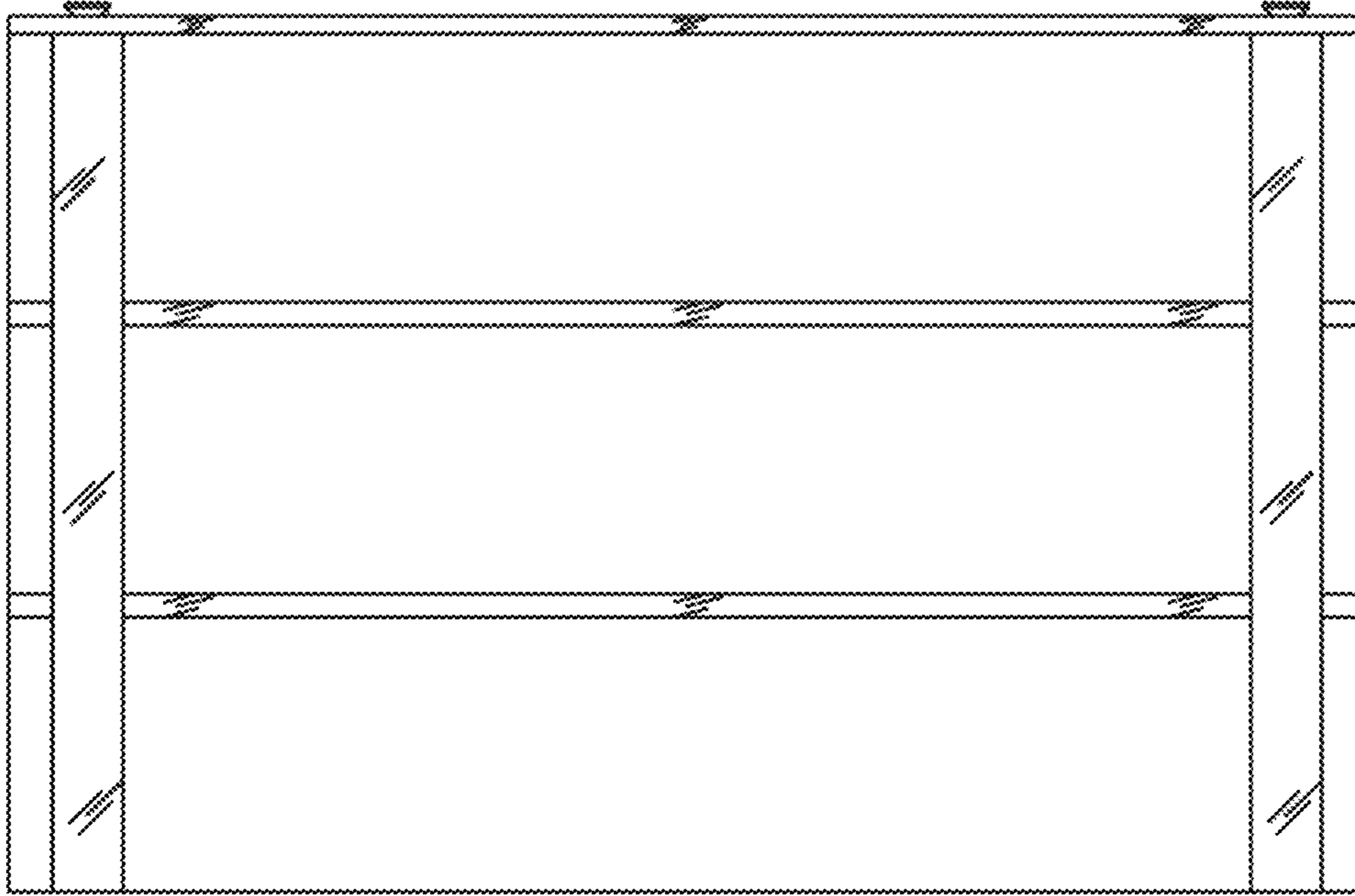


FIG. 3

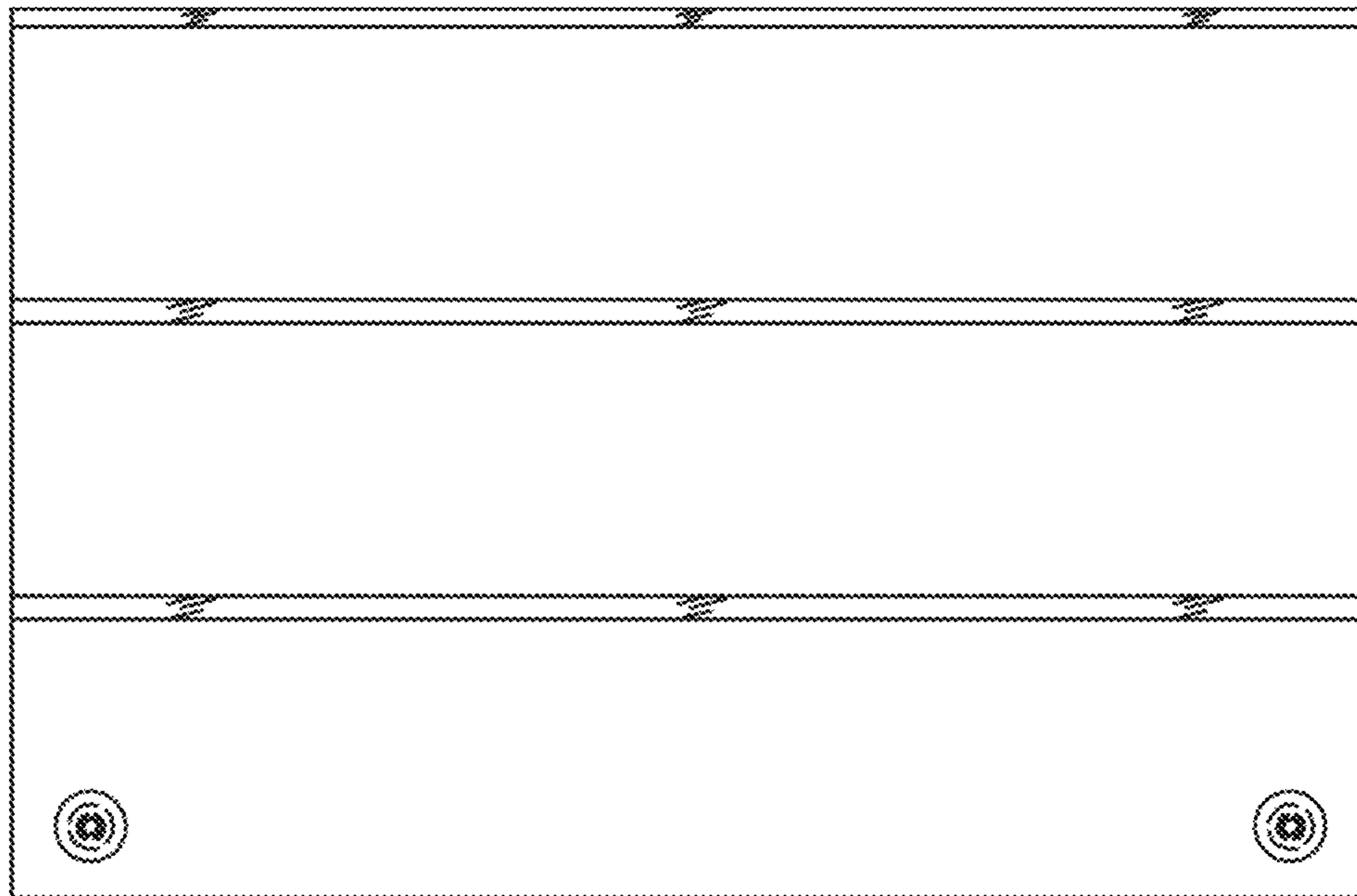


FIG. 4



FIG. 5

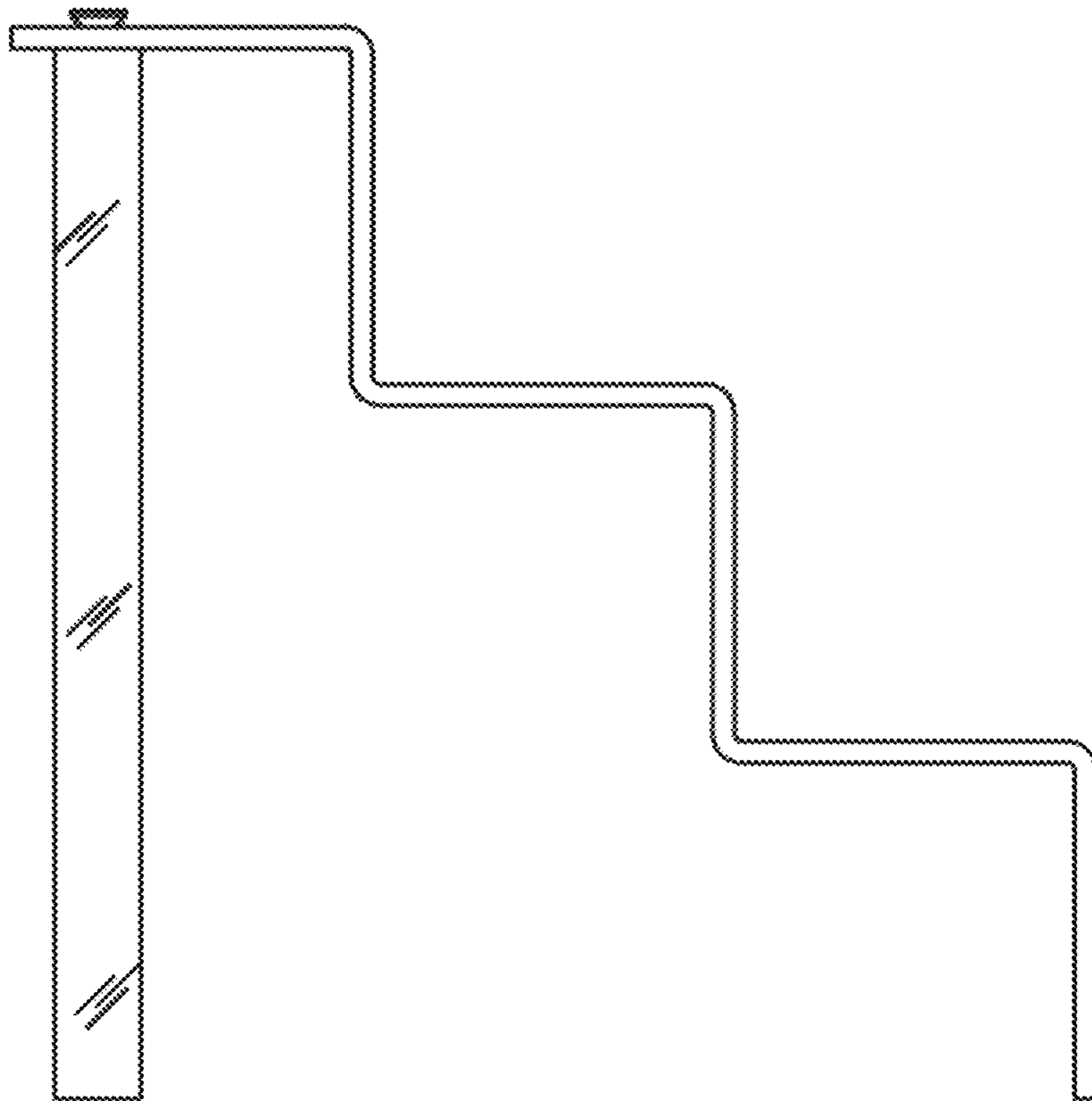


FIG. 6

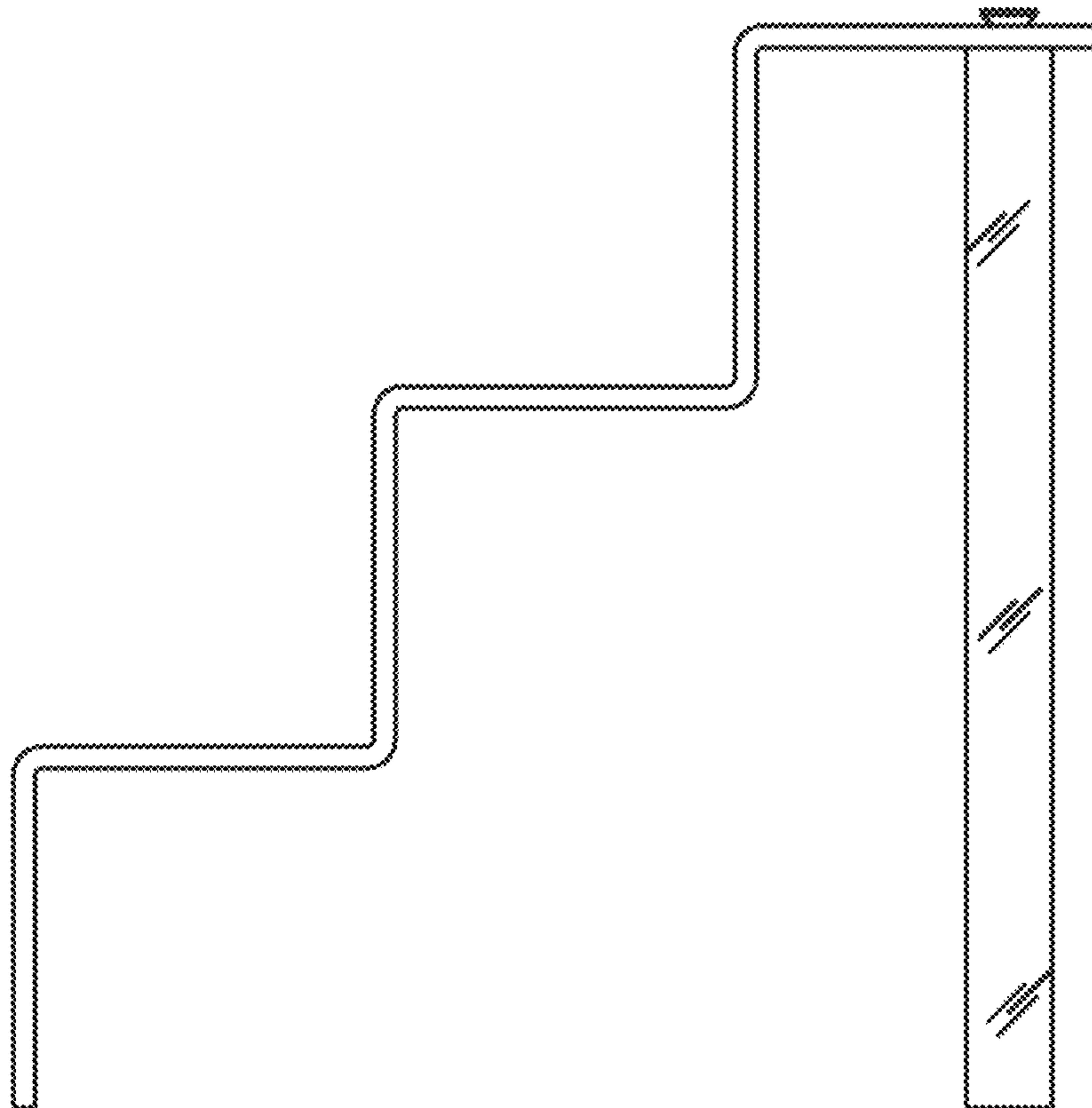


FIG.7