



US00D873587S

(12) **United States Design Patent**
Nicoll et al.

(10) **Patent No.:** **US D873,587 S**
(45) **Date of Patent:** **** Jan. 28, 2020**

(54) **CABINET**
(71) Applicant: **NewAge Products, Inc.**, Vaughan (CA)
(72) Inventors: **David Wesley Nicoll**, Mississauga (CA); **Robert Vandenharn**, North York (CA)
(73) Assignee: **NewAge Products, Inc.**, Vaughan (CA)
(**) Term: **15 Years**

RE34,171 E * 2/1993 Romick A47B 47/00
312/216
D341,737 S * 11/1993 Shepherd D6/671.1
5,564,665 A 10/1996 Resnick
5,645,332 A * 7/1997 Snoke A47B 47/0075
220/690
D412,629 S 8/1999 Zaidman
D423,817 S * 5/2000 Holcomb D34/21
D427,843 S 7/2000 Van Over
D441,221 S 5/2001 O'Hare et al.
(Continued)

(21) Appl. No.: **29/626,148**
(22) Filed: **Nov. 15, 2017**
(51) **LOC (12) Cl.** **06-04**
(52) **U.S. Cl.**
USPC **D6/671**
(58) **Field of Classification Search**
USPC D6/512, 553, 559, 657, 659, 660, 661,
D6/662, 663, 667, 669, 671, 671.1, 672,
D6/673, 675, 682, 682.3, 683.1, 694
CPC A47B 46/00; A47B 47/00; A47B 47/02;
A47B 47/021; A47B 47/022; A47B
47/04; A47B 55/00; A47B 67/00; A47B
67/02; A47B 67/04; A47B 83/04; A47B
7/00; A47B 81/00; A47B 81/007; A47B
81/02; A47F 3/00; A47F 3/005
See application file for complete search history.

FOREIGN PATENT DOCUMENTS

CA 2486932 A1 * 5/2006 B25H 3/028
WO 2008089598 A1 7/2008

OTHER PUBLICATIONS

Design U.S. Appl. No. 29/626,132, filed Nov. 15, 2017, 6 pages.
(Continued)

Primary Examiner — R. Johnson
(74) *Attorney, Agent, or Firm* — Howard & Howard
Attorneys PLLC

(57) **CLAIM**

An ornamental design for a cabinet, as shown and described.

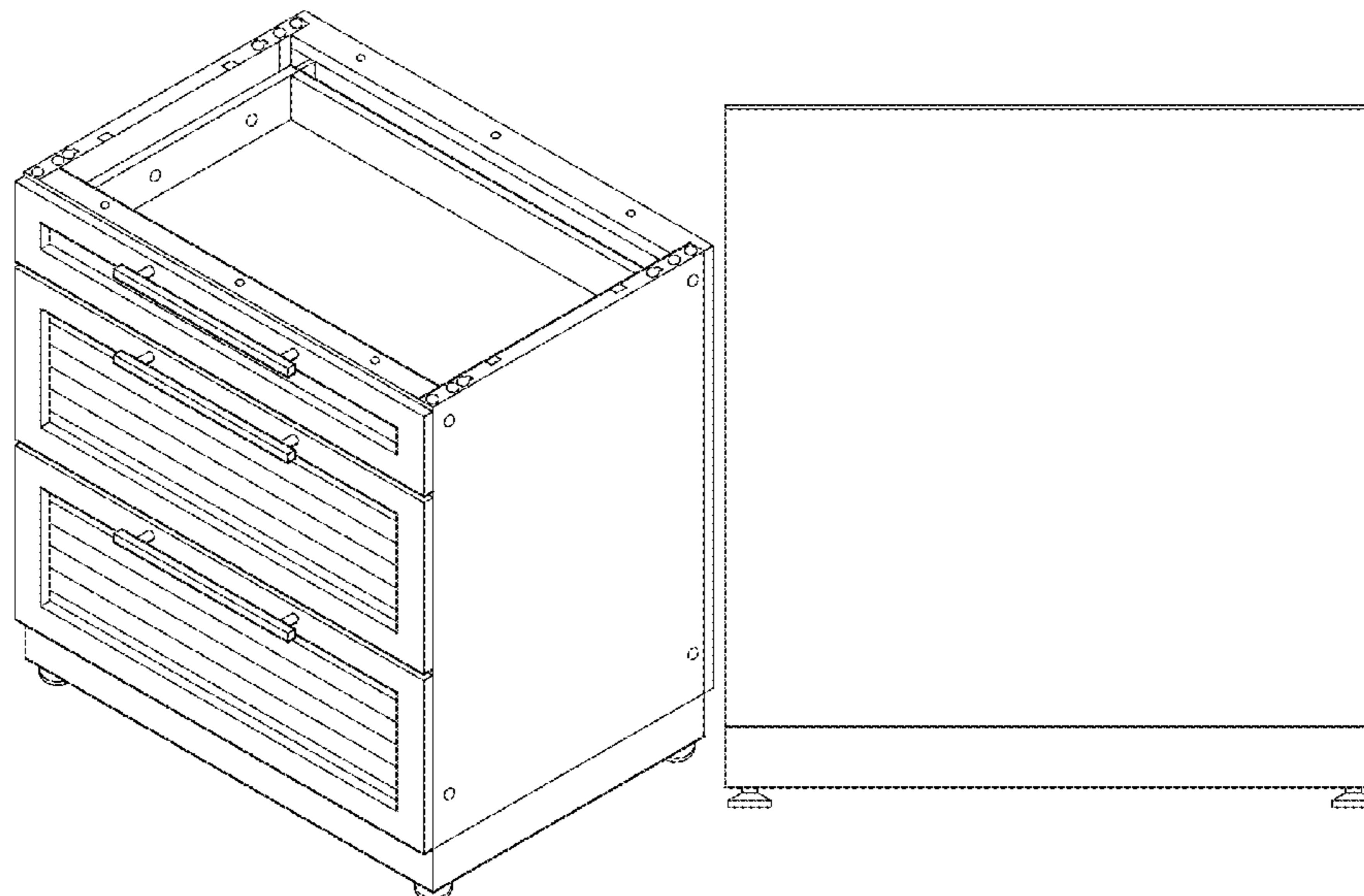
DESCRIPTION

FIG. 1 is a perspective view of a cabinet showing our new design;
FIG. 2 is a front elevational view of the cabinet of FIG. 1;
FIG. 3 is a rear elevational view of the cabinet of FIG. 1;
FIG. 4 is a left side elevational view of the cabinet of FIG. 1;
FIG. 5 is a right side elevational view of the cabinet of FIG. 1;
FIG. 6 is a top plan view of the cabinet of FIG. 1; and,
FIG. 7 is a bottom plan view of the cabinet of FIG. 1.

1 Claim, 3 Drawing Sheets

(56) **References Cited**
U.S. PATENT DOCUMENTS

1,154,906 A 9/1915 Berkley
3,110,533 A 11/1963 Le Bron
3,847,460 A * 11/1974 Weidt A47B 47/04
312/265.2
4,171,150 A * 10/1979 Soderlund A47B 47/042
312/107
D254,885 S 5/1980 Decker
D286,714 S 11/1986 Verholt
D301,527 S 6/1989 Jacobs et al.



(56)

References Cited

U.S. PATENT DOCUMENTS

D457,704 S 5/2002 Fiscus et al.
 D476,188 S 6/2003 Wood
 D501,116 S 1/2005 Zhang
 D503,065 S 3/2005 Pai
 D512,081 S 11/2005 Chang
 D513,913 S 1/2006 Harwanko
 D517,345 S 3/2006 Verbeek et al.
 D521,308 S 5/2006 Tseng
 D534,998 S 1/2007 Charnik
 D549,511 S 8/2007 Chung
 D574,629 S 8/2008 Kalkwarf
 D588,834 S 3/2009 Holt
 D592,618 S 5/2009 Lewis, II et al.
 D594,247 S 6/2009 Estephan
 D600,963 S 9/2009 Punzel et al.
 D601,137 S 9/2009 Koh
 D624,771 S 10/2010 Lim
 D632,518 S 2/2011 Schmidt et al.
 D656,338 S 3/2012 Combs et al.
 D657,160 S 4/2012 Combs et al.
 D657,161 S 4/2012 Combs et al.
 D657,162 S 4/2012 Combs et al.
 D657,163 S 4/2012 Combs et al.
 D661,141 S 6/2012 Bao
 D665,201 S 8/2012 Gaska et al.
 D665,596 S 8/2012 Shawcross et al.
 D667,652 S 9/2012 Wang
 8,312,807 B2 11/2012 Martinez et al.
 D689,720 S 9/2013 Lim
 D703,466 S 4/2014 Franck et al.
 D704,981 S 5/2014 Gates
 D712,676 S 9/2014 Flora
 D727,477 S 4/2015 Mayer et al.
 D728,282 S 5/2015 Tongue et al.
 D732,854 S 6/2015 Sin et al.
 9,068,378 B2 6/2015 Milani et al.
 D733,470 S 7/2015 Troyner et al.
 D737,603 S 9/2015 Shah et al.
 D741,624 S * 10/2015 Freimuth D6/671.1
 D742,136 S 11/2015 Flora
 D743,190 S 11/2015 Franck et al.

9,267,313 B2 2/2016 Frison et al.
 9,337,920 B2 5/2016 Chen et al.
 9,402,508 B2 8/2016 Cothorn
 9,468,305 B2 10/2016 Flora
 D770,815 S 11/2016 Jackson et al.
 9,486,075 B2 11/2016 Liu
 9,486,911 B1 11/2016 Liu
 9,532,680 B2 1/2017 Roberts
 D780,488 S 3/2017 Celano
 D788,491 S 6/2017 Lim
 9,788,689 B2 10/2017 Bizal et al.
 D805,322 S 12/2017 Johanson
 D807,084 S * 1/2018 Waldner D6/671.1
 D823,617 S 7/2018 Chiao et al.
 D824,194 S 7/2018 Kagan
 D825,230 S 8/2018 Massaud
 D826,291 S 8/2018 Lim et al.
 D828,056 S 9/2018 Chiao et al.
 D835,926 S 12/2018 Abatemarco, Jr.
 D858,119 S * 9/2019 Nicoll D6/334
 2008/0047209 A1 2/2008 Hinterholzer et al.
 2010/0258106 A1 10/2010 Simms, II
 2011/0187248 A1 * 8/2011 Kao A47B 81/00
 312/280
 2011/0192810 A1 * 8/2011 Kao B25H 3/028
 211/70.6
 2013/0312732 A1 11/2013 Brennan
 2014/0021314 A1 1/2014 Bourlier
 2014/0102925 A1 4/2014 Jacobson et al.
 2015/0114238 A1 4/2015 Palermo
 2015/0351538 A1 12/2015 Wells et al.
 2016/0208837 A1 7/2016 Chang
 2016/0220066 A1 8/2016 Roberts
 2017/0215641 A1 8/2017 DeBruler
 2017/0238762 A1 8/2017 Chinnah et al.

OTHER PUBLICATIONS

Design U.S. Appl. No. 29/626,139, filed Nov. 15, 2017, 15 pages.
 Design U.S. Appl. No. 29/626,143, filed Nov. 15, 2017, 4 pages.
 Design U.S. Appl. No. 29/626,144, filed Nov. 15, 2017, 16 pages.
 Design U.S. Appl. No. 15/813,572, filed Nov. 15, 2017, 27 pages.

* cited by examiner

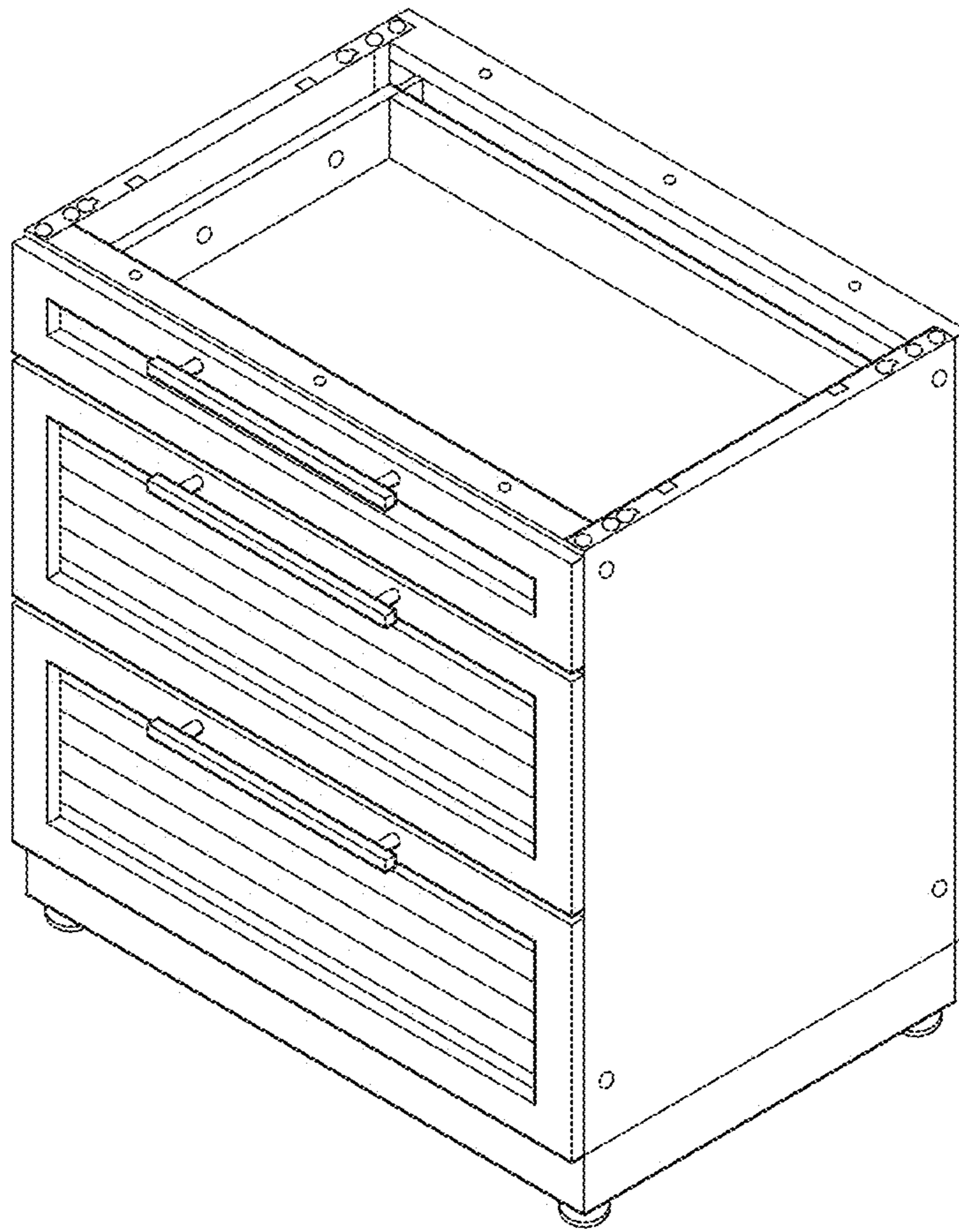


Fig-1

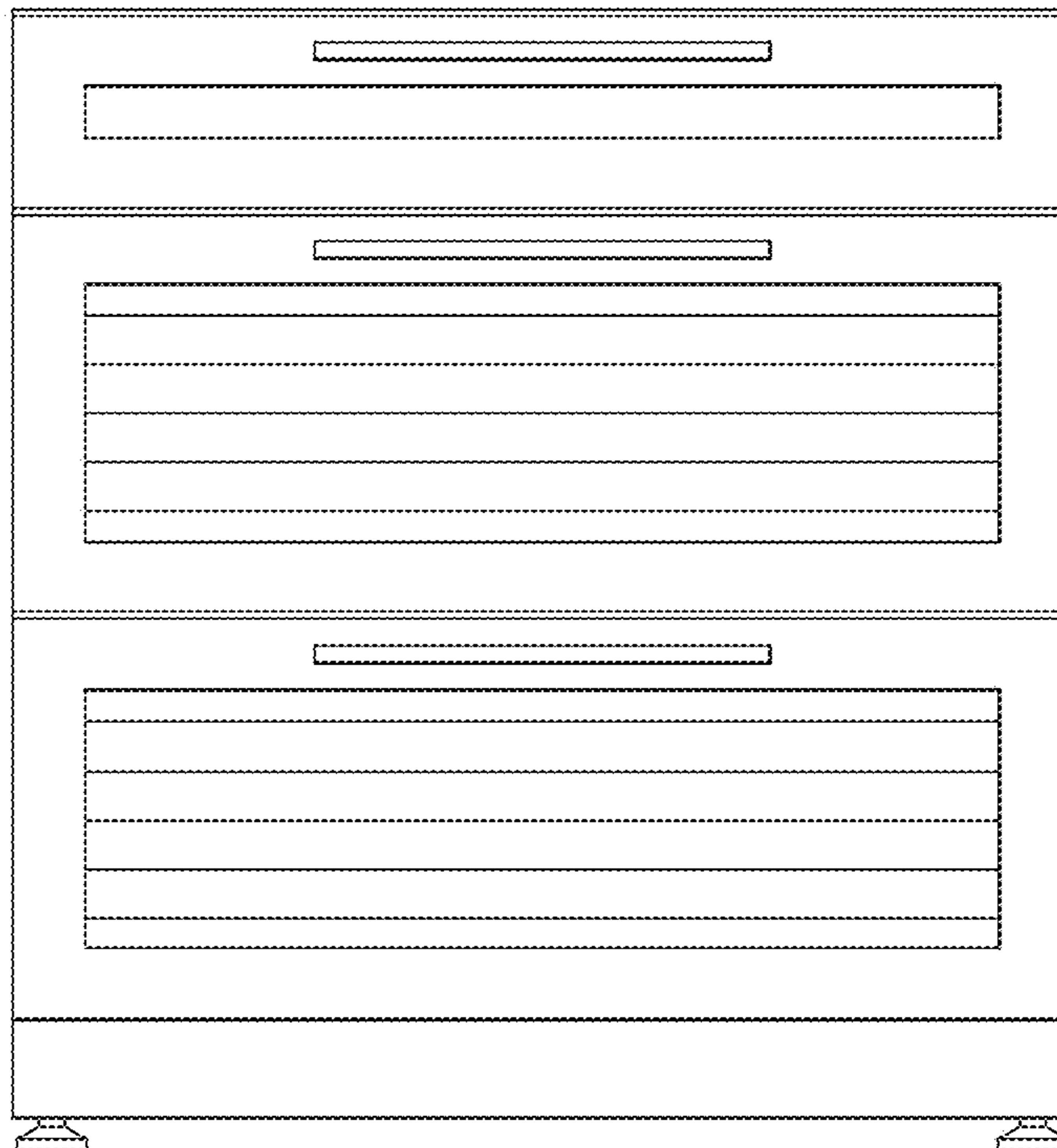


Fig-2

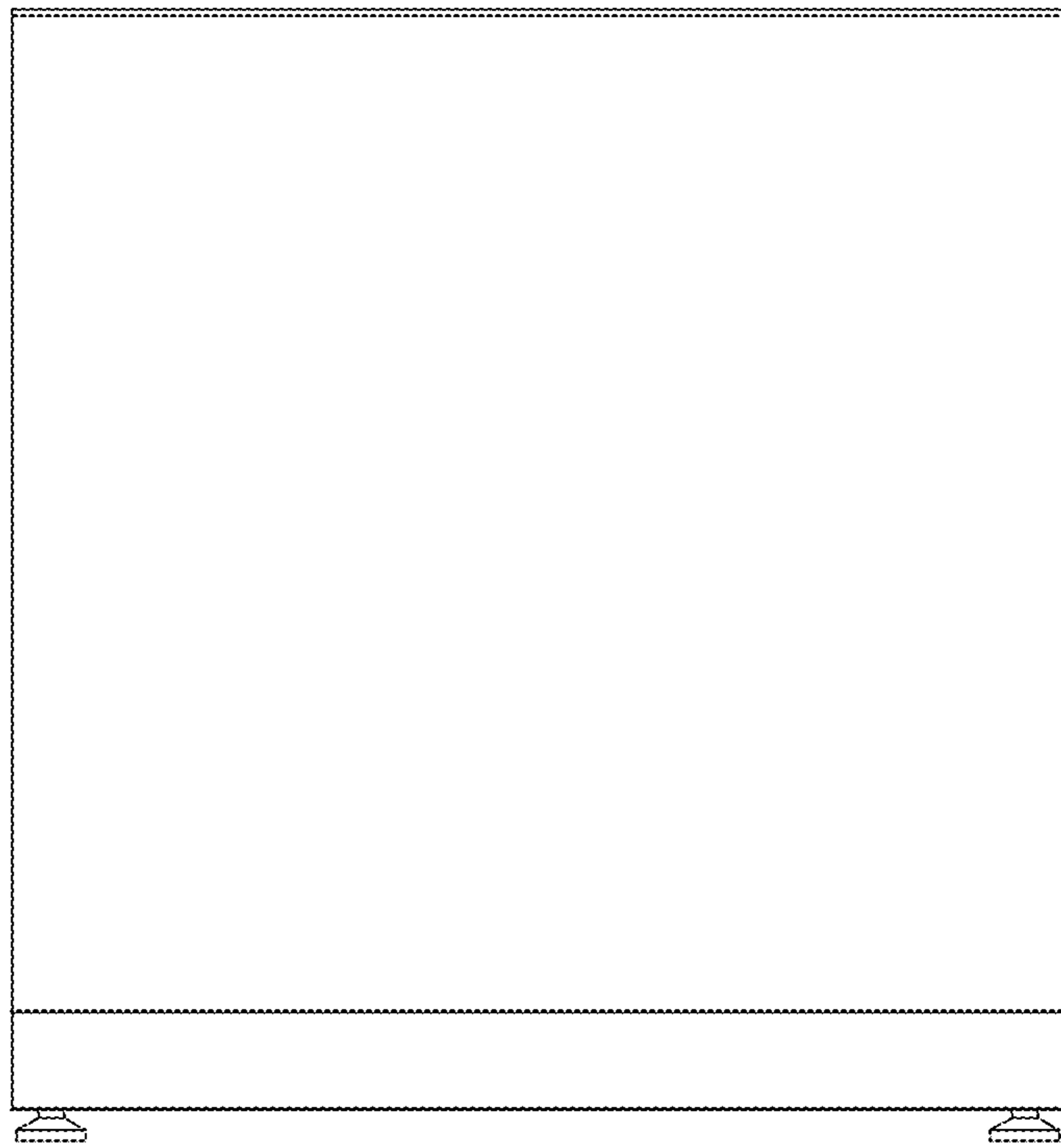


Fig-3

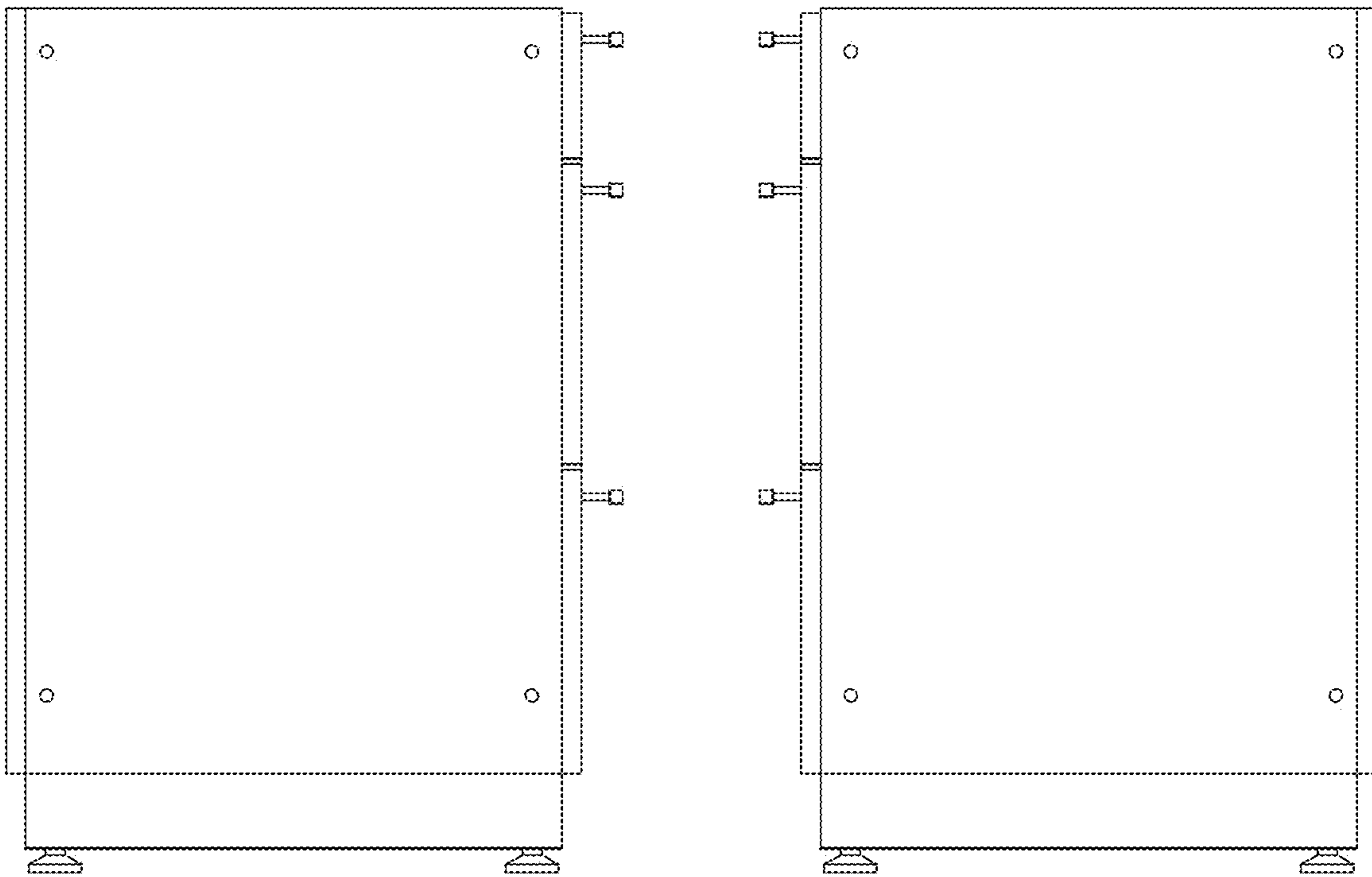


Fig-4

Fig-5

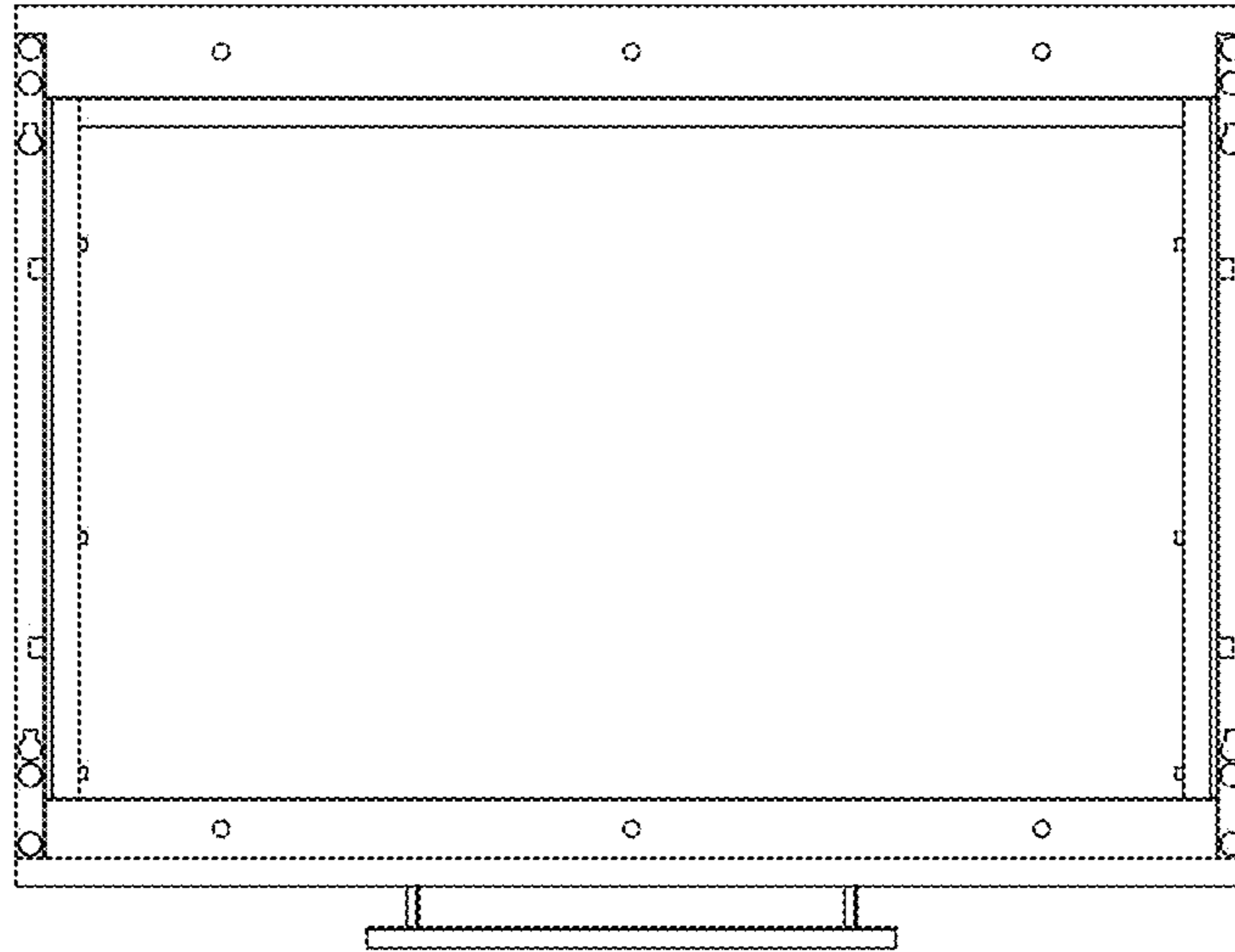


Fig-6

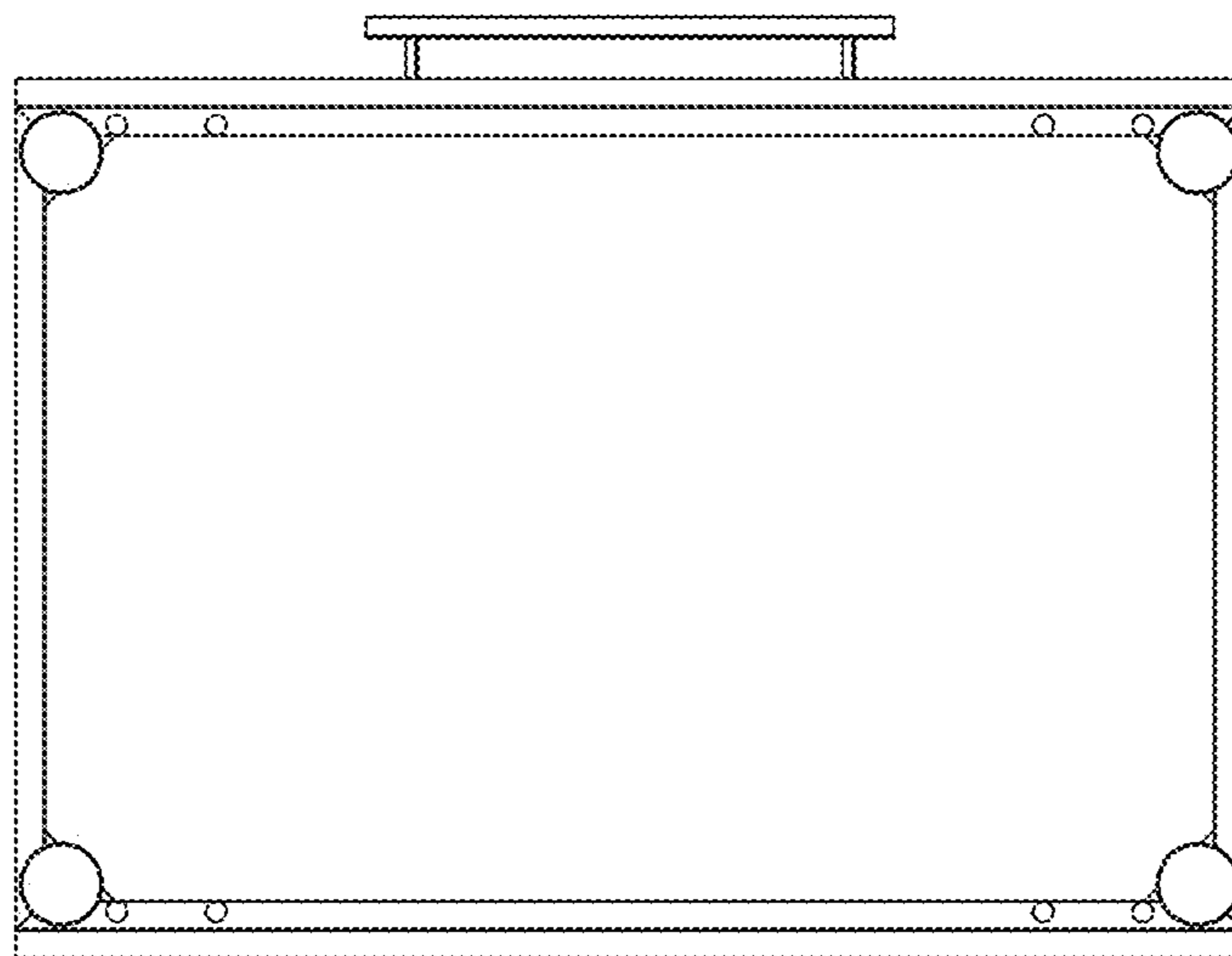


Fig-7