



US00D873586S

(12) **United States Design Patent**
Chang

(10) **Patent No.:** **US D873,586 S**
(45) **Date of Patent:** **** Jan. 28, 2020**

(54) **TABLE**
(71) Applicant: **Chien-Kuo Chang**, Taichung (TW)
(72) Inventor: **Chien-Kuo Chang**, Taichung (TW)
(**) Term: **15 Years**
(21) Appl. No.: **29/646,999**
(22) Filed: **May 9, 2018**
(51) **LOC (12) Cl.** **06-03**
(52) **U.S. Cl.**
USPC **D6/656.16**
(58) **Field of Classification Search**
USPC D6/641, 642, 656, 656.11–656.14,
D6/656.16–656.18, 685, 686, 691,
D6/691.1–691.9
CPC A47B 7/00; A47B 13/00; A47B 13/081;
A47B 13/02; A47B 13/04; A47B 13/06;
A47B 13/08; A47B 13/10; A47B 9/00;
A47B 21/00; A47B 27/00; A47B 27/02;
A47B 27/04; A47B 27/06; A47B 27/08;
A47B 27/10; A47B 27/12; A47B 27/16;
A47B 27/18; A47B 2200/0001; A47B
2200/0011; A47B 2200/002; A47B
2200/0029; A47B 2200/0035
See application file for complete search history.

6,019,050 A * 2/2000 Ranta A47B 3/0911
108/115
D449,470 S * 10/2001 Morrow D6/656.18
D501,339 S * 2/2005 Lai D6/691
D569,132 S * 5/2008 Sexton A47B 27/02
D6/656.18
9,690,396 B1 * 6/2017 Kubica G06F 3/03545
2018/0140090 A1 * 5/2018 Chang A47B 27/18
2018/0206630 A1 * 7/2018 Chang A47B 13/081

* cited by examiner

Primary Examiner — Mary Ann Calabrese
(74) *Attorney, Agent, or Firm* — WPAT, PC

(56) **References Cited**
U.S. PATENT DOCUMENTS
3,141,260 A * 7/1964 Dompieri A47B 27/02
248/455
4,726,556 A * 2/1988 Weir A47B 27/18
248/454

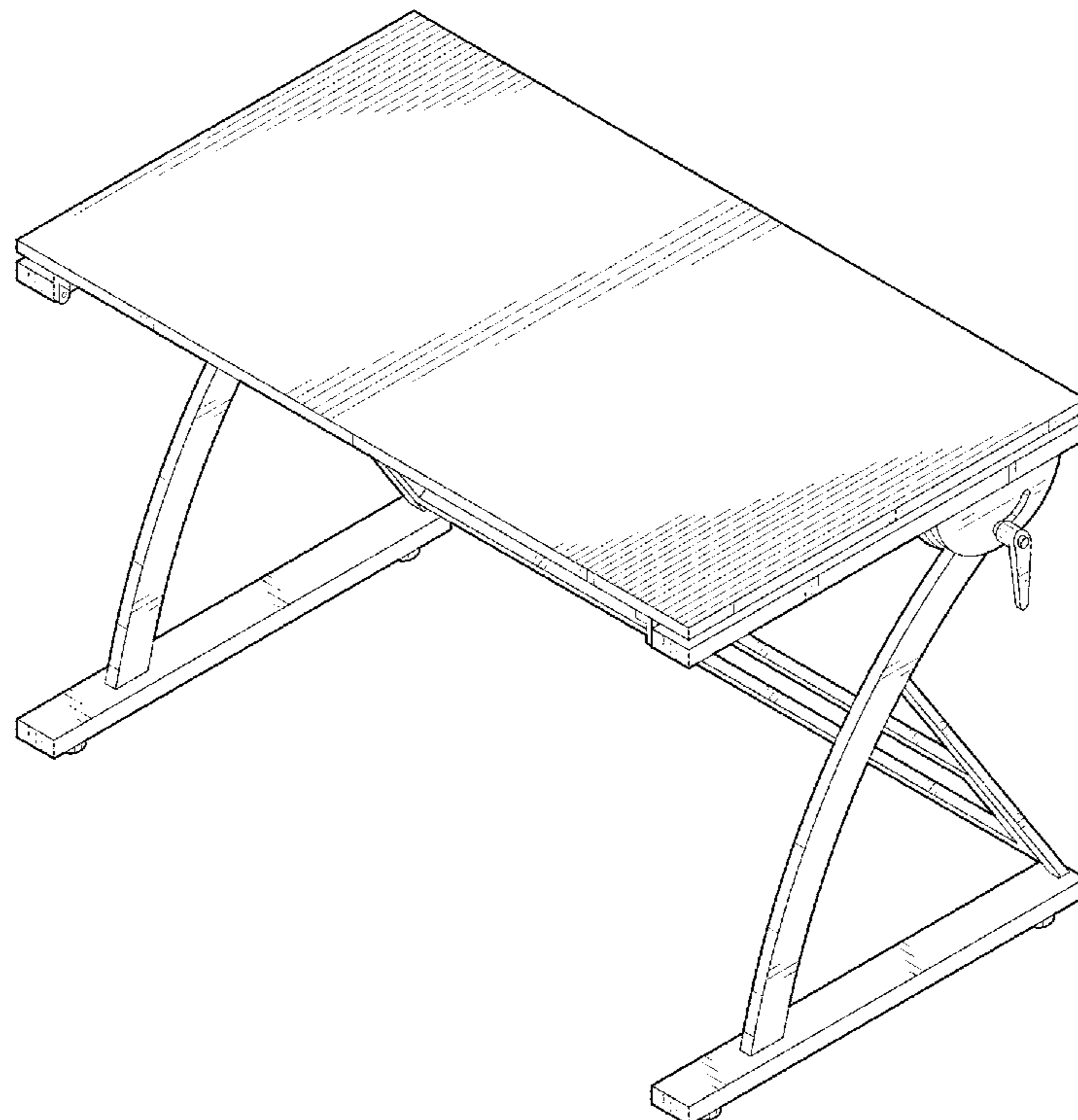
(57) **CLAIM**

The ornamental design for a table, as shown and described.

DESCRIPTION

FIG. 1 is a perspective view of a table showing our new design thereof;
FIG. 2 is a front elevational view thereof;
FIG. 3 is a rear elevational view thereof;
FIG. 4 is a left side plan view thereof;
FIG. 5 is a right side plan view thereof;
FIG. 6 is a top plan view thereof;
FIG. 7 is a bottom plan view thereof; and,
FIG. 8 is another perspective view thereof.

1 Claim, 8 Drawing Sheets



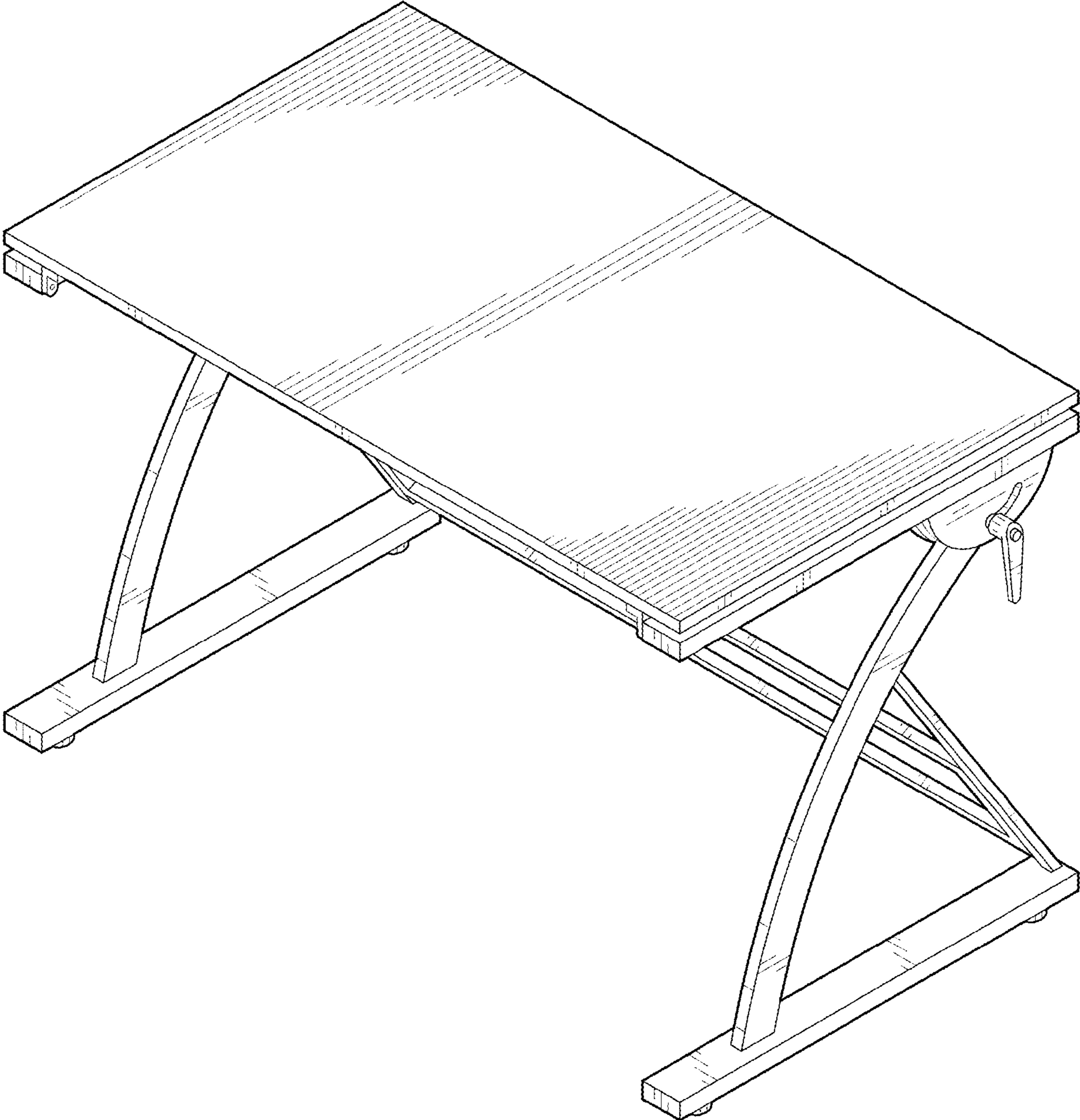


FIG. 1

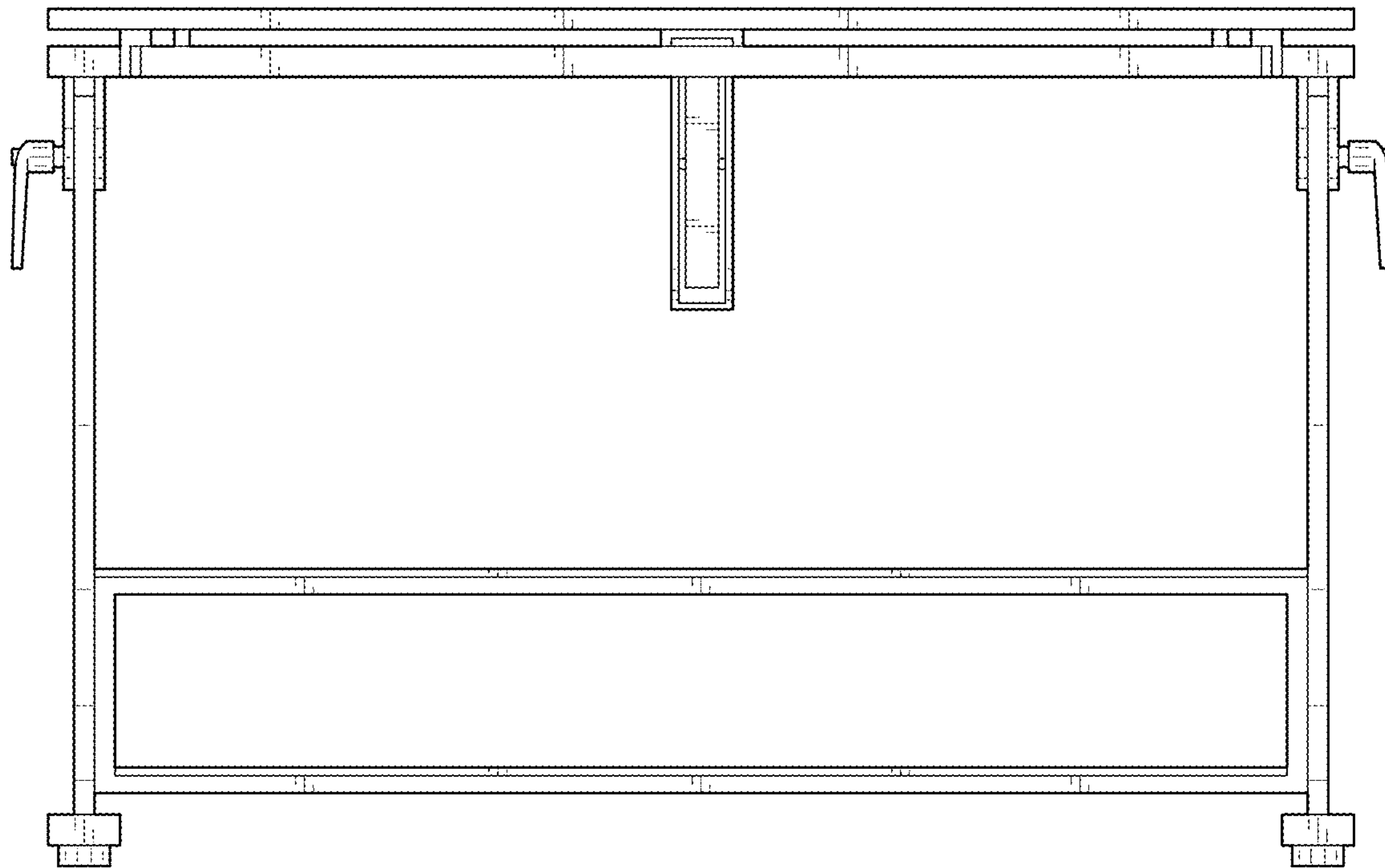


FIG. 2

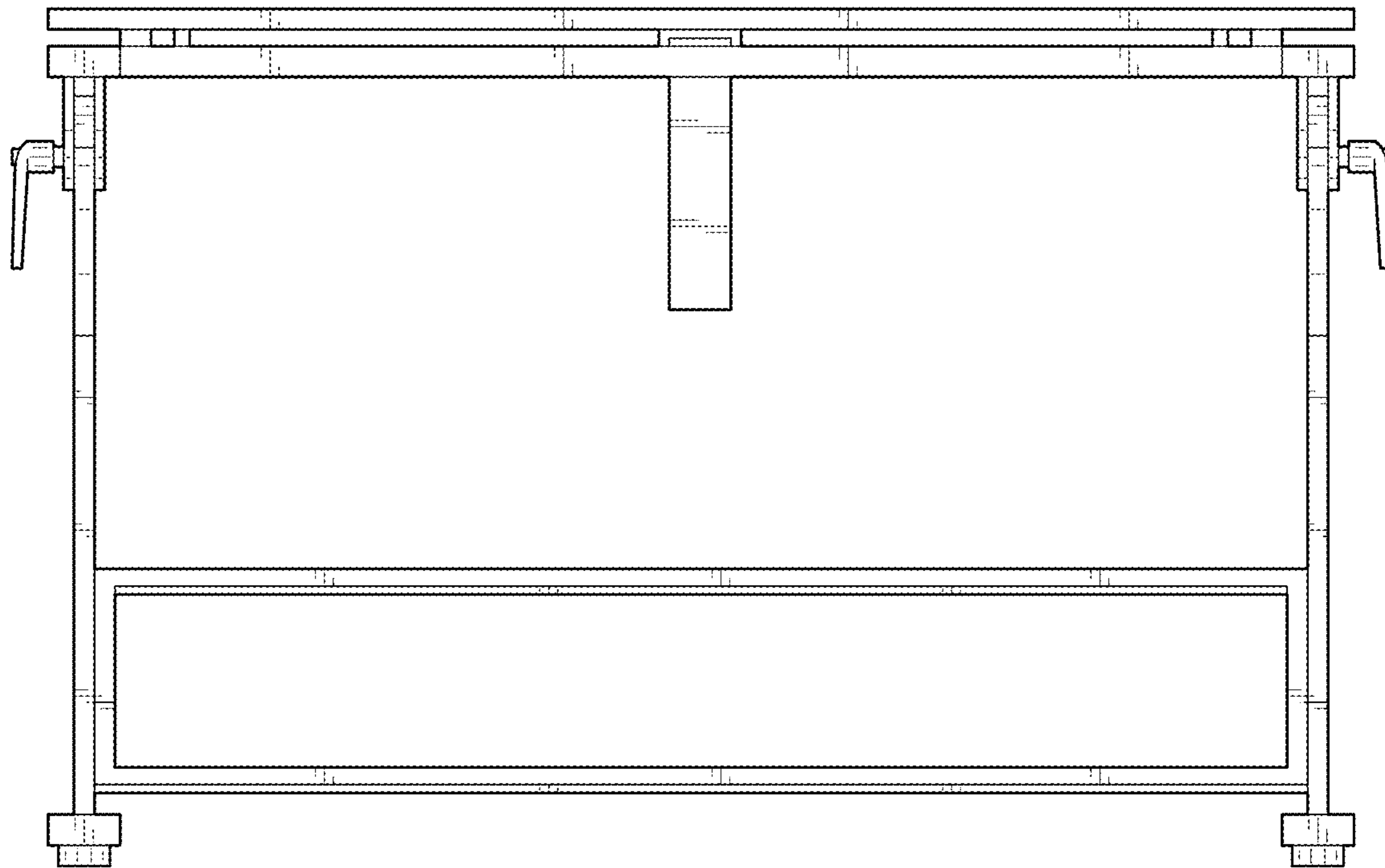


FIG. 3

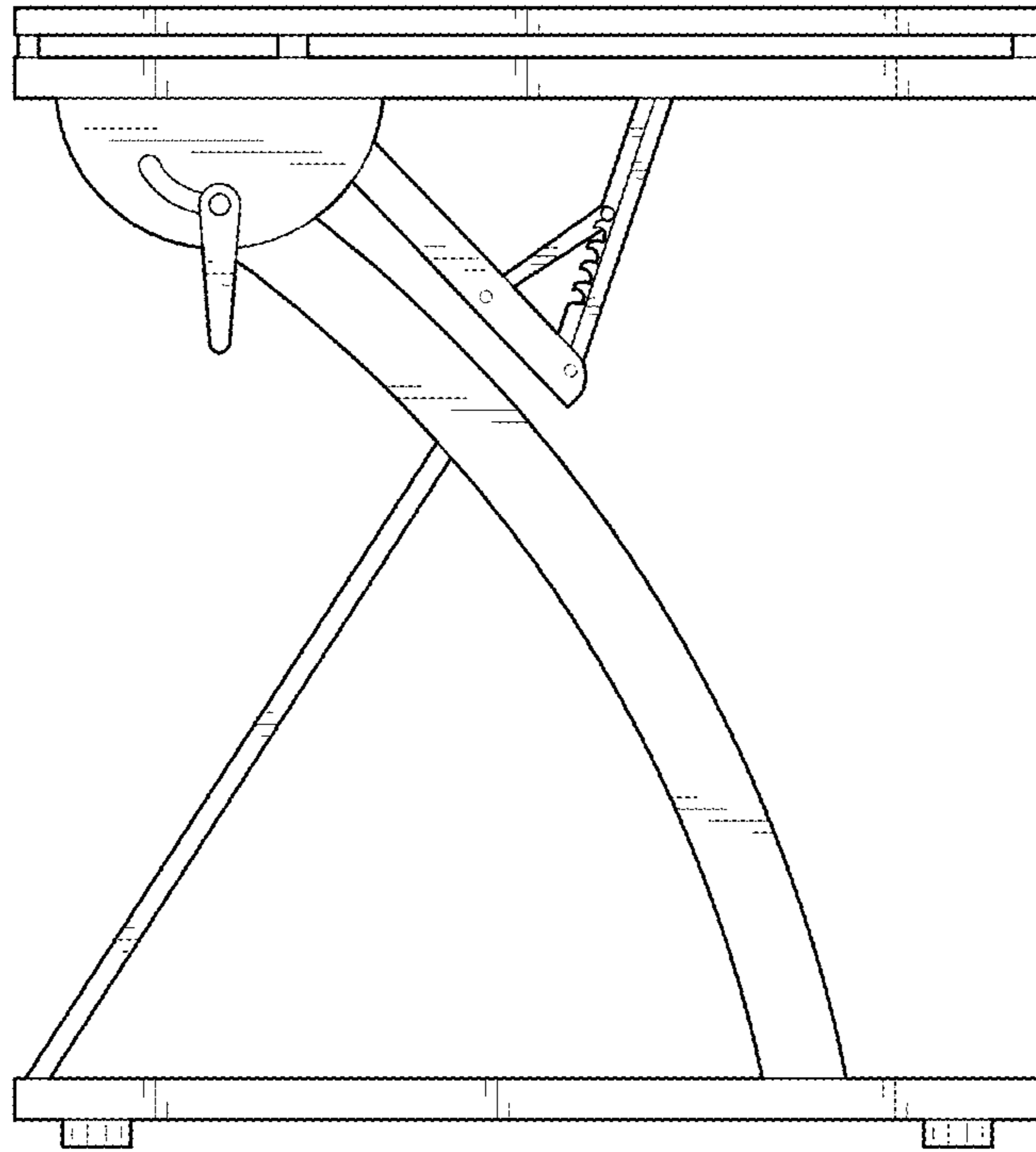


FIG. 4

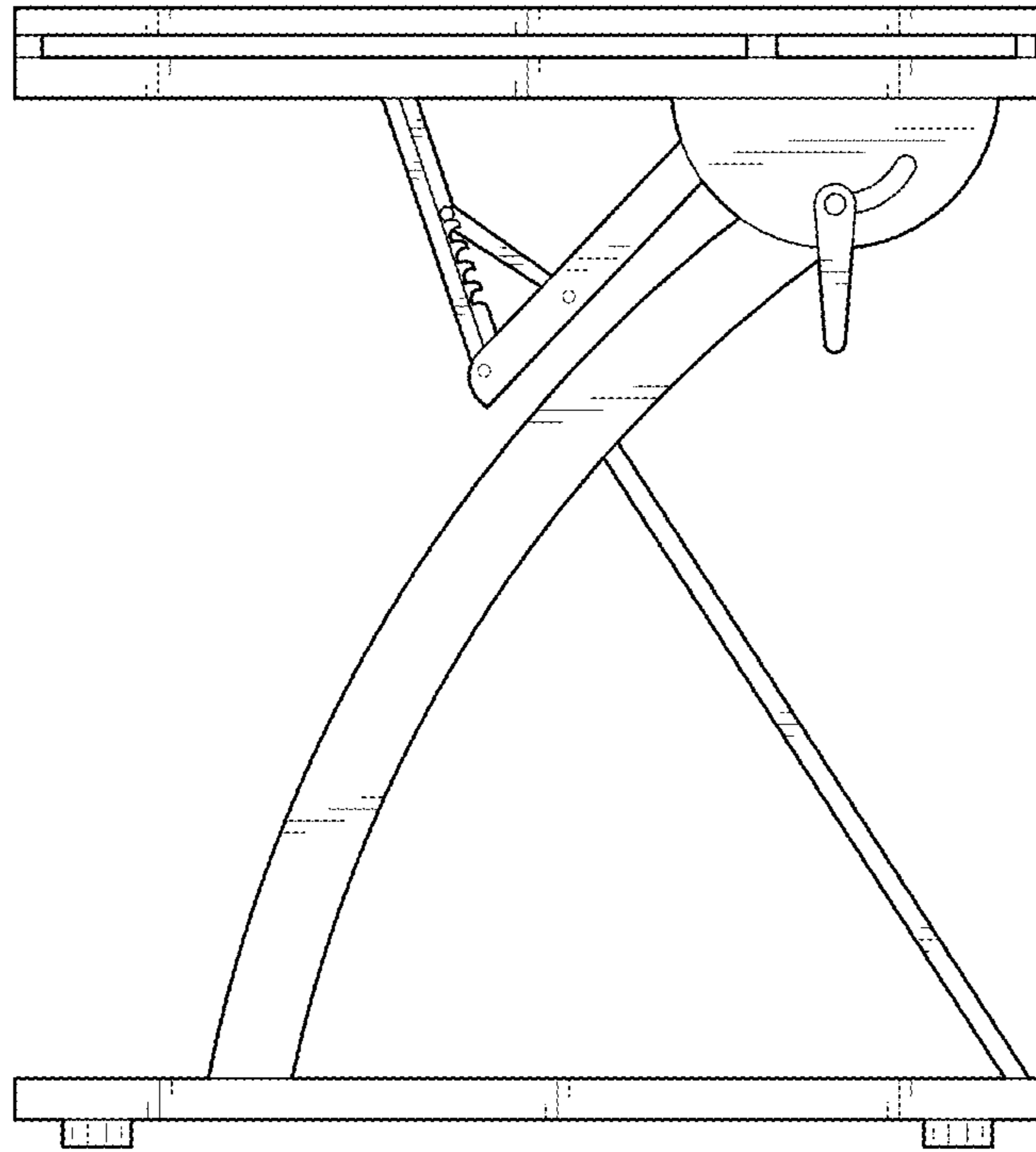


FIG. 5

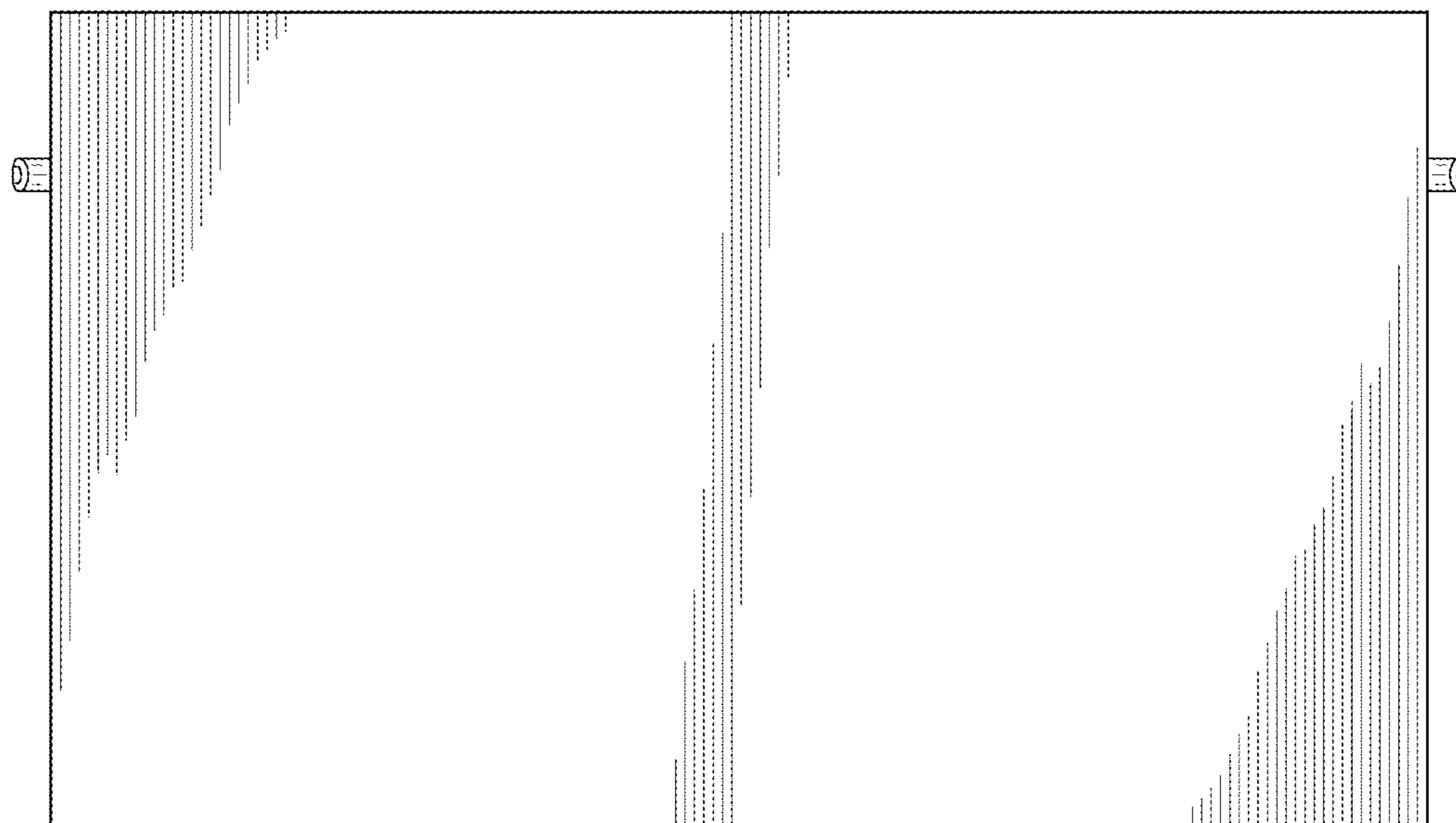


FIG. 6

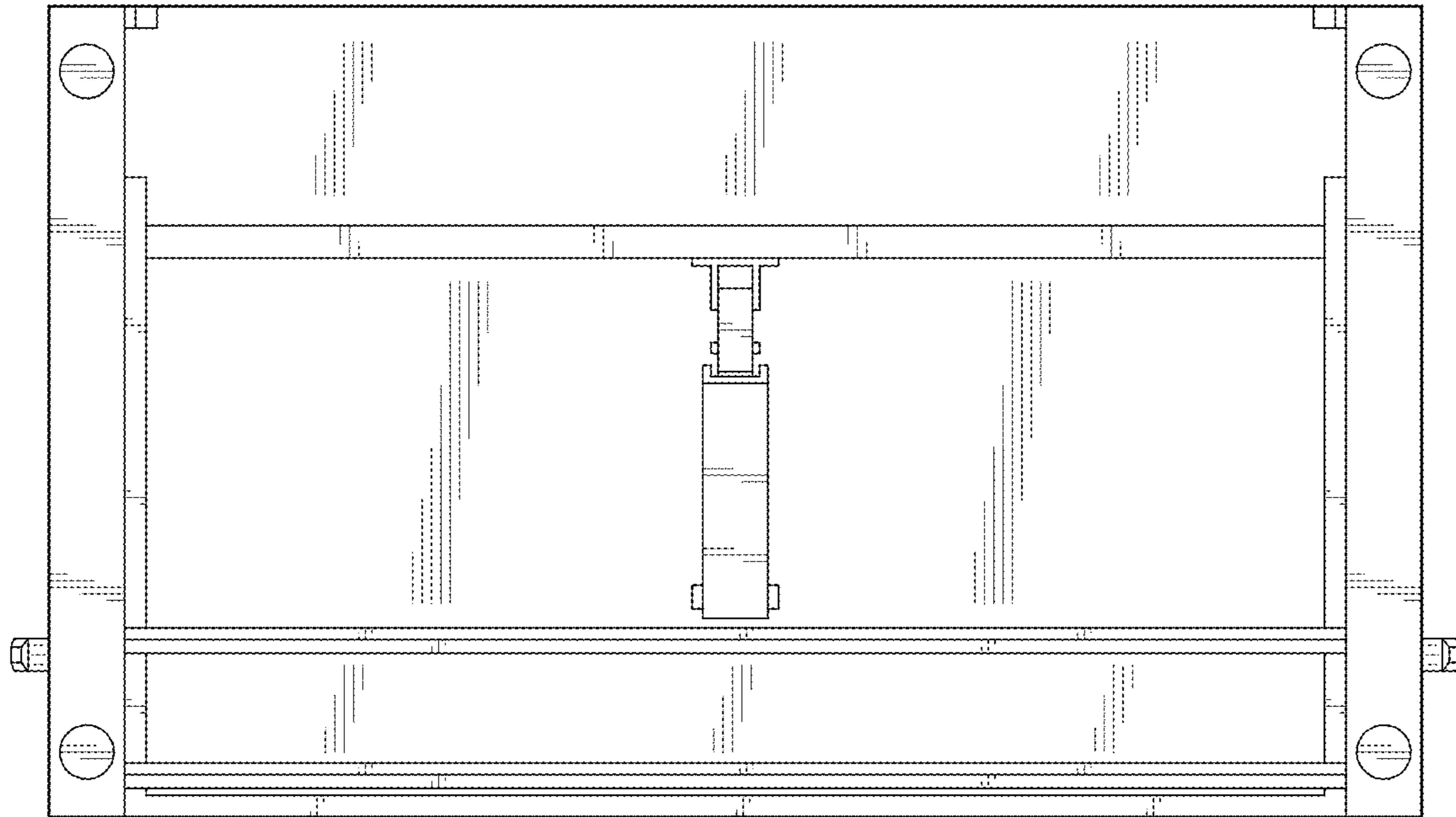


FIG. 7

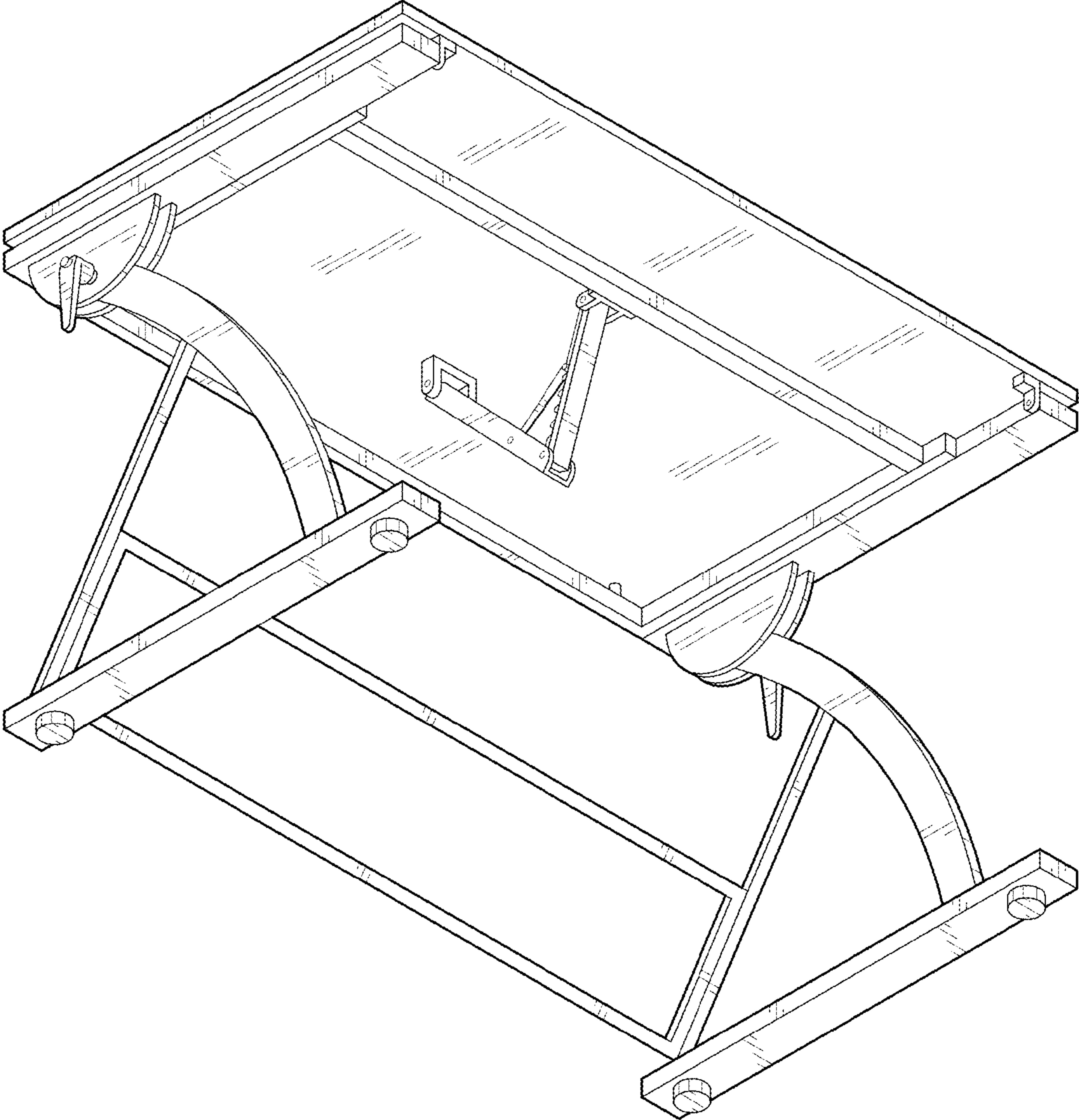


FIG. 8