



US00D873585S

(12) **United States Design Patent** (10) **Patent No.:** **US D873,585 S**
Turbeville et al. (45) **Date of Patent:** **** Jan. 28, 2020**

(54) **NECK COOLING TOWEL**

(71) Applicants: **William Turbeville**, Lenoir City, TN (US); **Evelyn Turbeville**, Lenoir City, TN (US)

(72) Inventors: **William Turbeville**, Lenoir City, TN (US); **Evelyn Turbeville**, Lenoir City, TN (US)

(**) Term: **15 Years**

(21) Appl. No.: **29/634,424**

(22) Filed: **Jan. 22, 2018**

(51) **LOC (12) Cl.** **06-13**

(52) **U.S. Cl.**
USPC **D6/608**

(58) **Field of Classification Search**
USPC D6/608
CPC A47K 10/02
See application file for complete search history.

(56) **References Cited**

U.S. PATENT DOCUMENTS

D380,119 S *	6/1997	Gonzalez	D6/608
D396,596 S *	8/1998	Simon	D20/27
6,175,964 B1 *	1/2001	Adler	A41D 15/00 2/207
D559,609 S *	1/2008	Gonzalez	D6/608
D650,148 S *	12/2011	Sanders	D2/502
D707,470 S *	6/2014	George	D6/608
D707,988 S *	7/2014	Brewington	D6/608
D770,813 S *	11/2016	Furstenburg	D6/608
D809,826 S *	2/2018	Maples	D6/608
D834,352 S *	11/2018	Oyekan	D6/608
D856,034 S *	8/2019	Beamen	D6/608
D856,714 S *	8/2019	Mitchell	D6/608

OTHER PUBLICATIONS

Ergodyne, <https://www.ergodyne.com/cooling/evaporative/chill-its-6700-evaporative-cooling-bandana-tie.html>, Downloaded Mar. 29, 2018.

Frogg Toggs, <https://www.froggtoggs.com/catalogsearch/result/?q=cooling>, downloaded Mar. 29, 2018.

Hot Headz, <http://www.hothheadz.net/3pacodonecow.html>, downloaded Mar. 29, 2018.

* cited by examiner

Primary Examiner — R. Johnson

(74) *Attorney, Agent, or Firm* — Pitts & Lake, P.C.

(57) **CLAIM**

The ornamental design for a neck cooling towel, as shown and described.

DESCRIPTION

FIG. 1 is a perspective view of a neck cooling towel, showing our new design;

FIG. 2 is a perspective view thereof, showing the neck cooling towel where one ice tube is shown closed at its end and the other ice tube is shown open at its end;

FIG. 3 is a front side elevation view thereof, of which the back-side elevation view is a mirror image;

FIG. 4 is a left side elevation view thereof, of which the right-side elevation view is a mirror image;

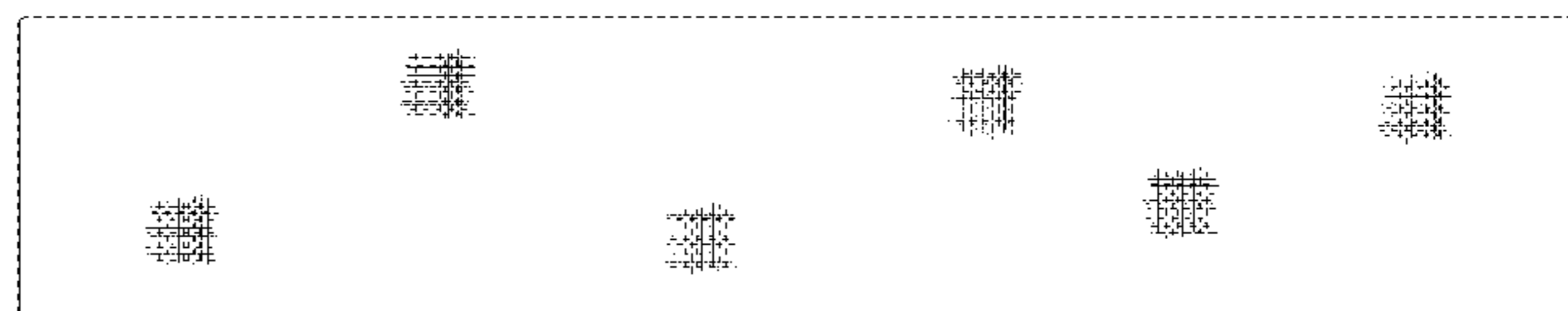
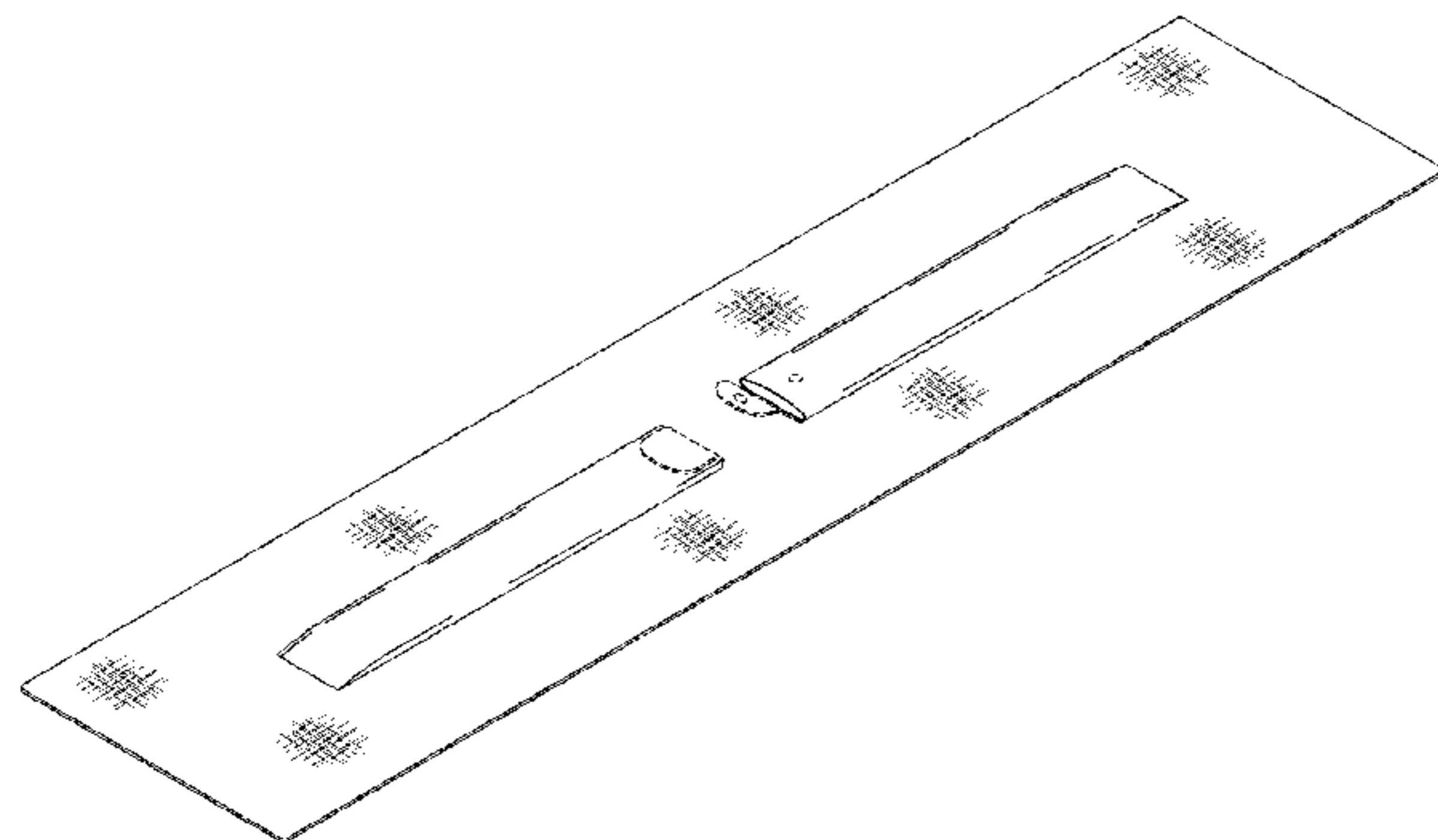
FIG. 5 is a top plan view thereof;

FIG. 6 is a bottom plan view thereof; and,

FIG. 7 is a perspective view thereof, showing the design in its normal use.

The broken line showing in the drawings illustrate portions of the neck cooling towel that form no part of the claimed design.

1 Claim, 4 Drawing Sheets



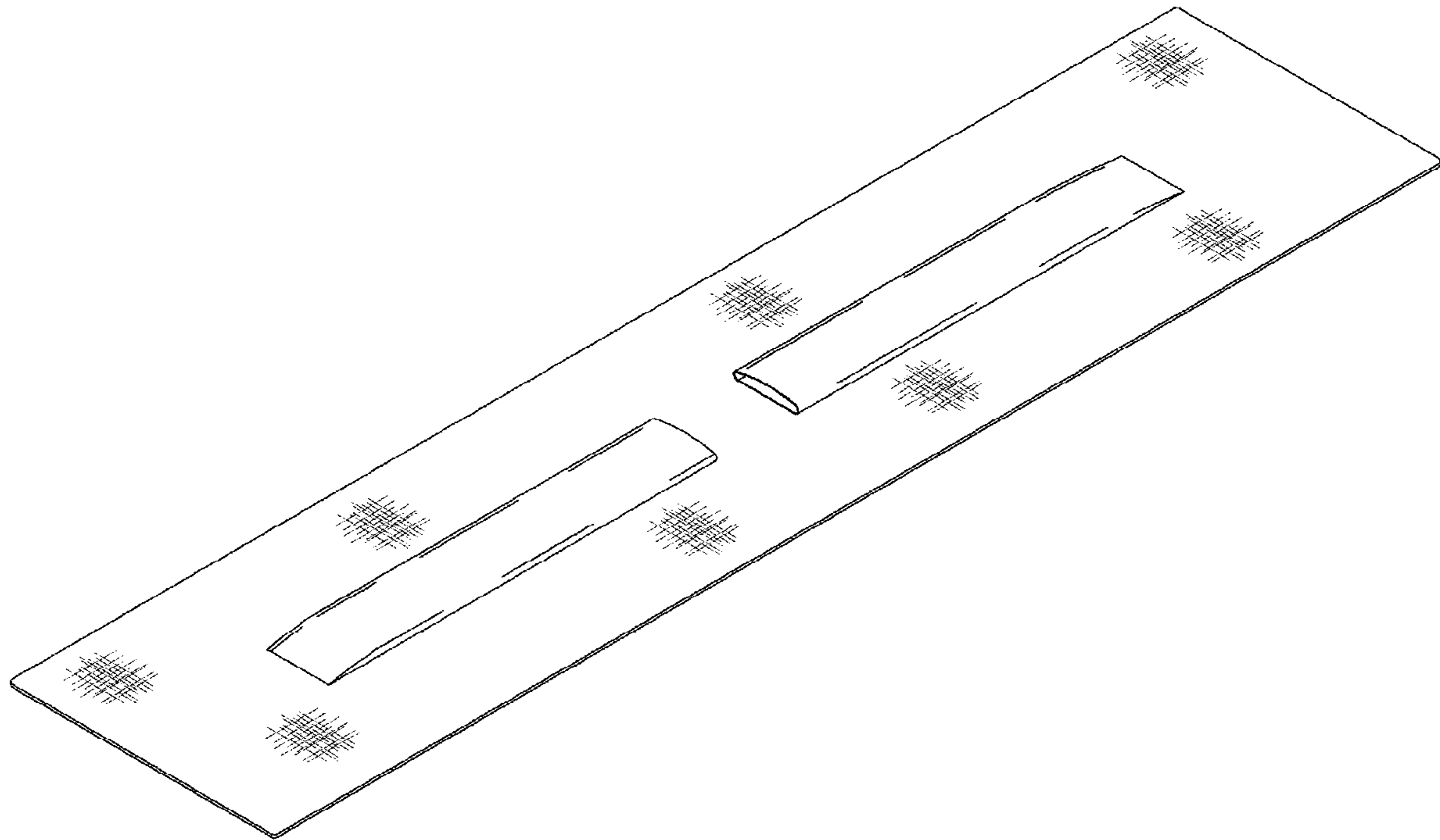


Fig. 1

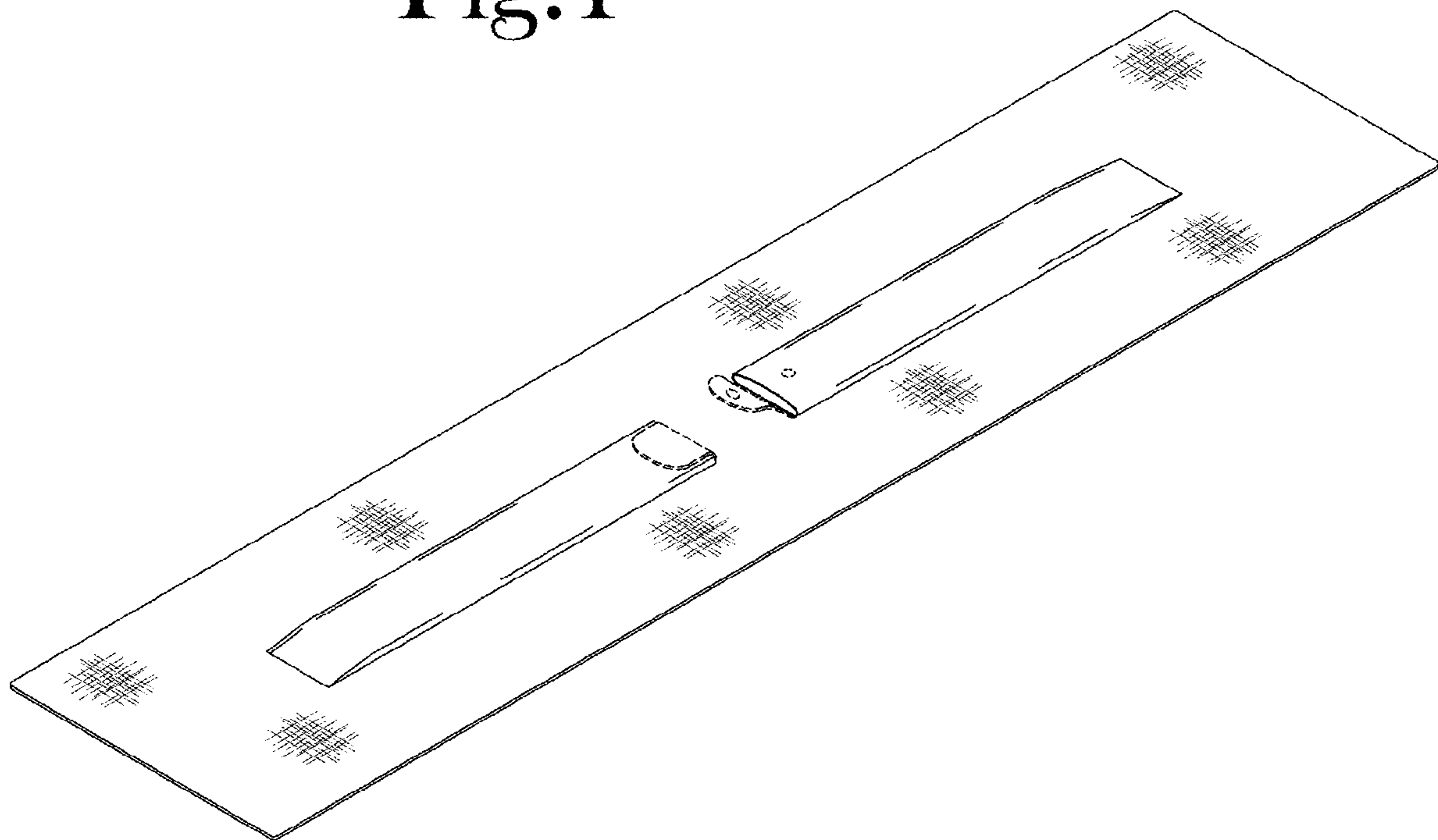


Fig. 2



Fig. 3



Fig. 4

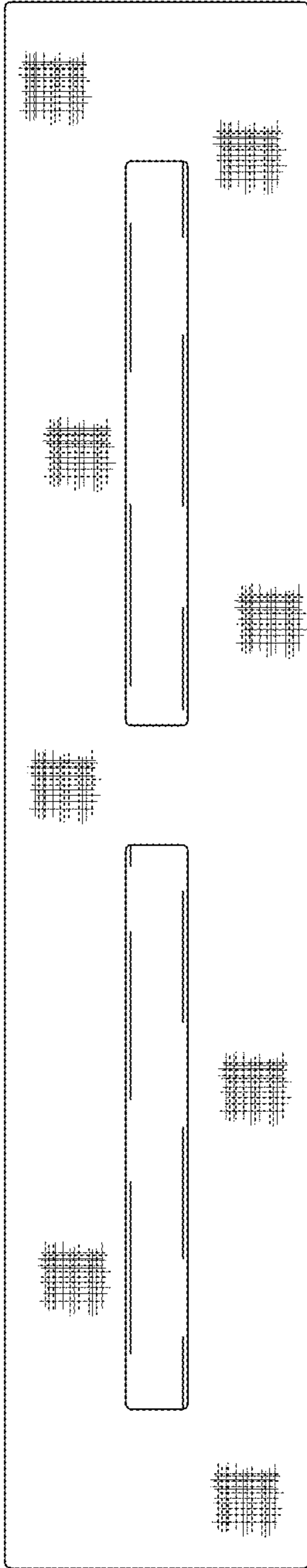


Fig. 5

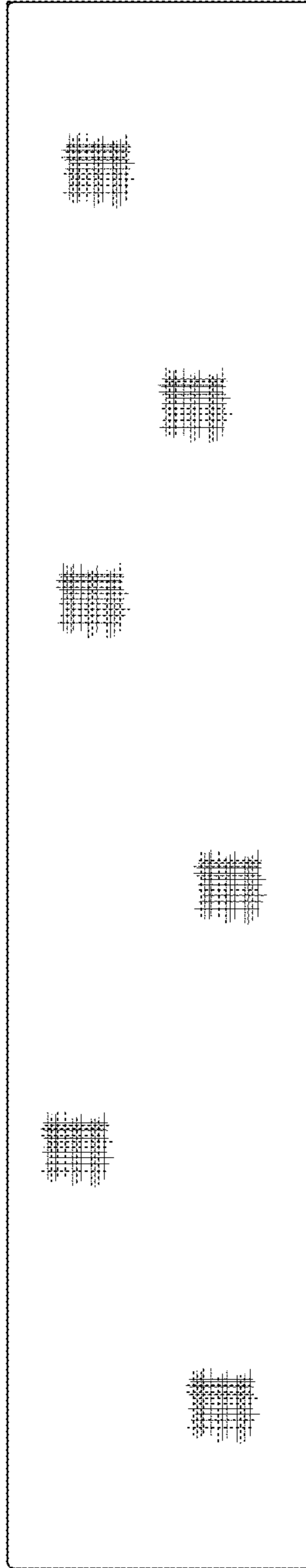


Fig. 6

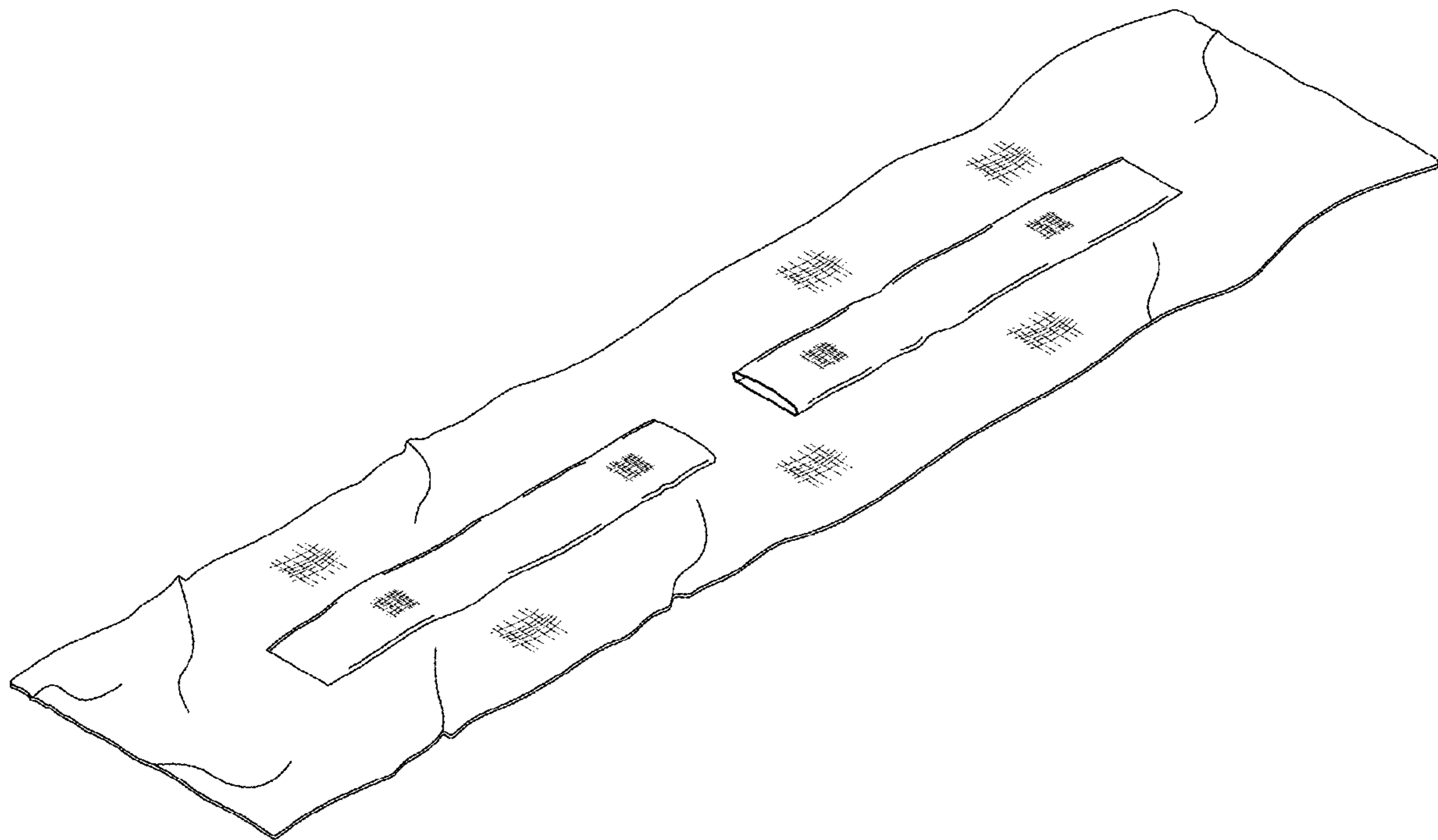


Fig.7