



US00D873584S

(12) **United States Design Patent**  
**Monfalcone, III et al.**

(10) **Patent No.:** **US D873,584 S**  
(45) **Date of Patent:** **\*\* Jan. 28, 2020**

(54) **FABRIC FOOT PROTECTOR FOR A MATTRESS**

(71) Applicant: **Dreamwell, Ltd.**, Atlanta, GA (US)

(72) Inventors: **Vincent A. Monfalcone, III**, Atlanta, GA (US); **Joseph D. Ruehlmann**, Atlanta, GA (US)

(73) Assignee: **DREAMWELL, LTD.**, Atlanta, GA (US)

(\*\*) Term: **15 Years**

(21) Appl. No.: **29/634,990**

(22) Filed: **Jan. 26, 2018**

(51) **LOC (12) Cl.** ..... **06-09**

(52) **U.S. Cl.**  
USPC ..... **D6/606**

(58) **Field of Classification Search**  
USPC ..... D6/603, 606  
CPC ..... A47G 9/02; A47G 9/0207; A47G 9/0238;  
A47G 9/0223; A47G 9/0261; A47G 9/06;  
A47G 9/066

See application file for complete search history.

(56) **References Cited**

**U.S. PATENT DOCUMENTS**

3,638,251	A *	2/1972	Weiss	.....	A47G 9/02 5/485
5,497,521	A *	3/1996	Waits	.....	A47C 21/048 2/69.5
5,946,751	A *	9/1999	DeMay	.....	A47G 9/0238 24/72.5
6,216,292	B1 *	4/2001	Oakhill	.....	A47C 27/008 5/482

6,845,532	B1 *	1/2005	Rosenblum	.....	A47C 27/008 40/661
D770,810	S *	11/2016	Grove	.....	D6/606
2013/0125435	A1 *	5/2013	Keever	.....	G09F 3/02 40/620
2018/0325290	A1 *	11/2018	Zimmerman	.....	A47G 9/0246

\* cited by examiner

*Primary Examiner* — R. Johnson

(74) *Attorney, Agent, or Firm* — Cantor Colburn LLP

(57) **CLAIM**

We claim the ornamental design for a fabric foot protector for a mattress, as shown and described.

**DESCRIPTION**

FIG. 1 is a left side perspective view of a fabric foot protector for a mattress embodying our design in its intended environment;

FIG. 2 is a right side perspective view of the fabric foot protector for a mattress embodying our design in its intended environment

FIG. 3 is a top plan view of the fabric foot protector for a mattress of FIG. 1;

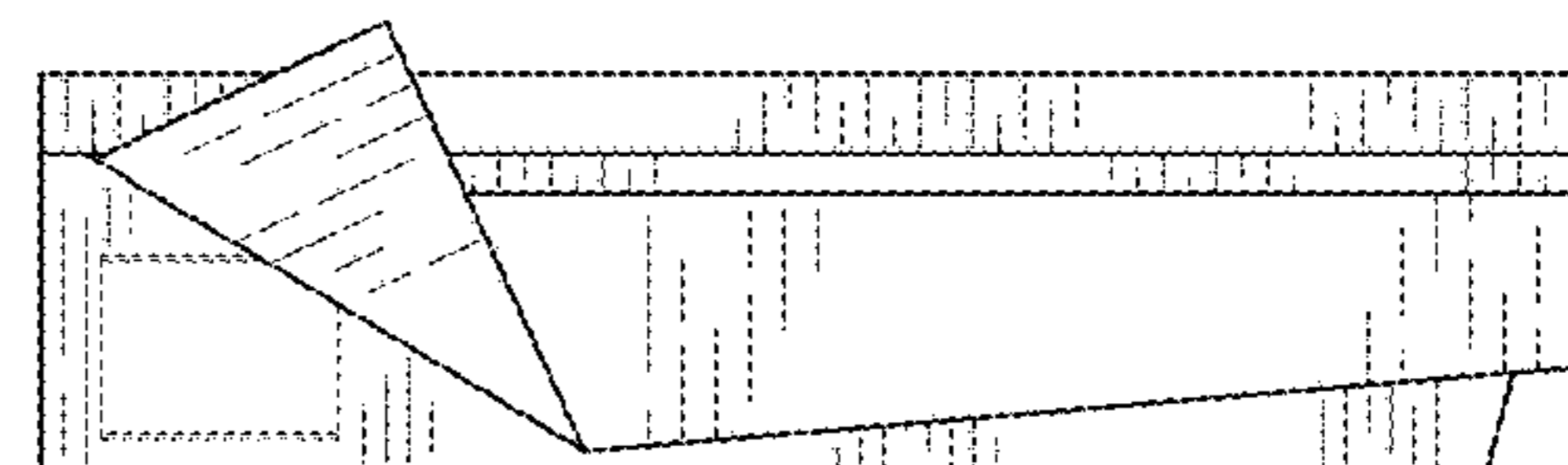
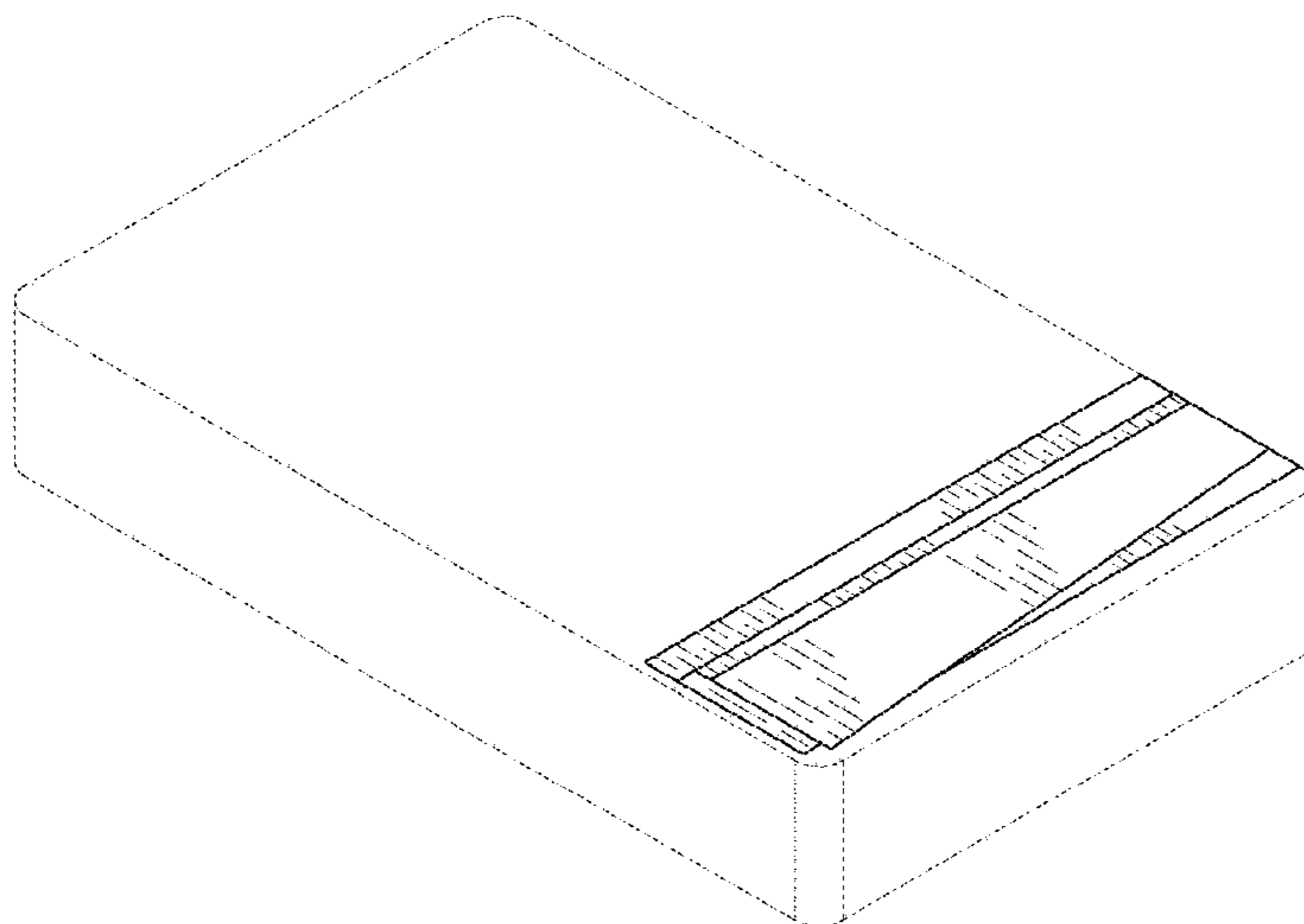
FIG. 4 is a top plan view of the fabric foot protector for a mattress of FIG. 1 including a portion of an upper fabric layer folded onto itself;

FIG. 5 is a top plan view of the fabric foot protector for a mattress embodying our design in accordance with another embodiment; and,

FIG. 6 is a top plan view of the fabric foot protector for a mattress of FIG. 4 including a portion of an upper fabric layer folded onto itself.

The broken lines in FIGS. 1 and 2 represent environmental structure, and the broken lines in FIGS. 4 and 6 represent the portions of the design, which form no part of the claim.

**1 Claim, 3 Drawing Sheets**



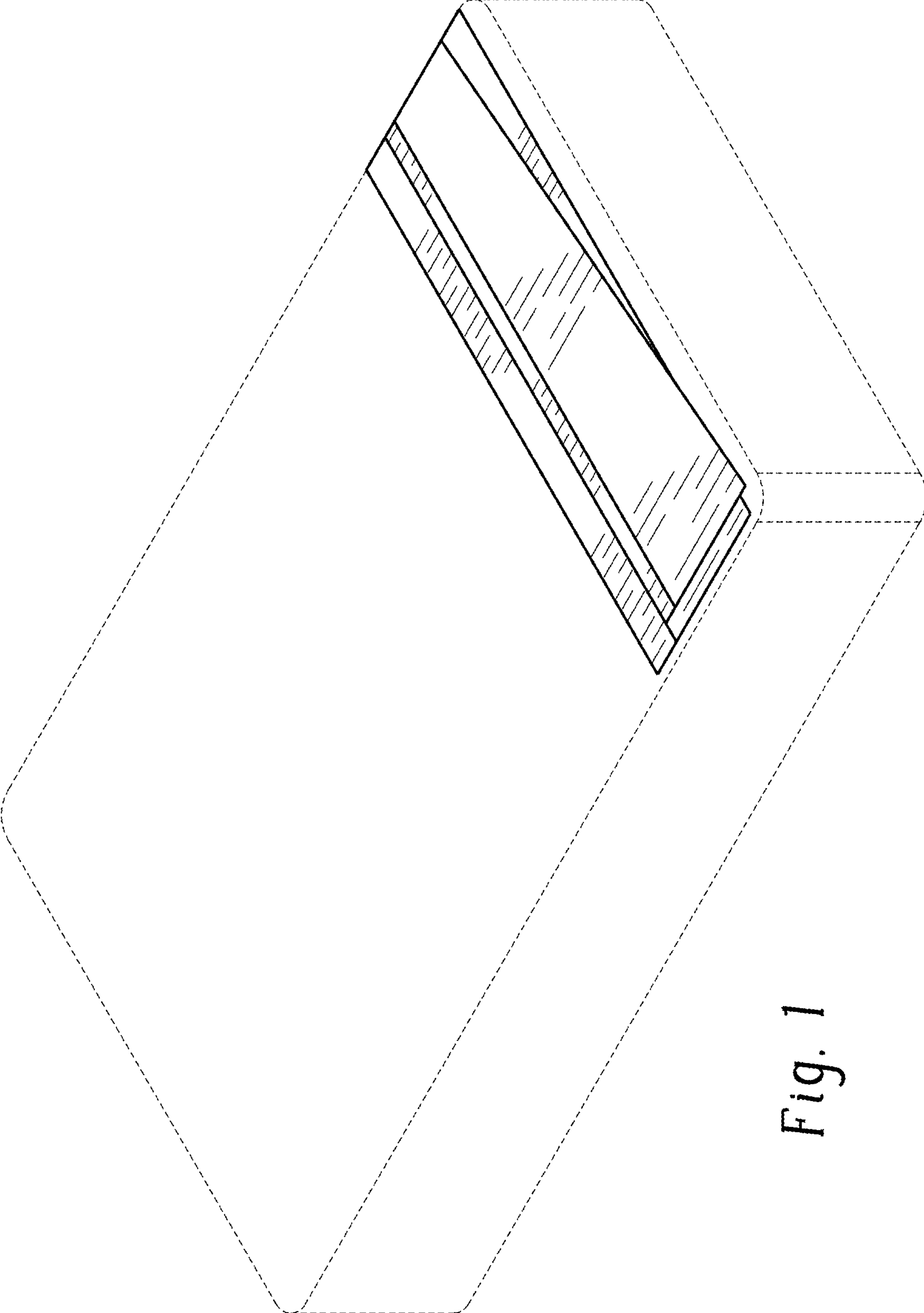


Fig. 1

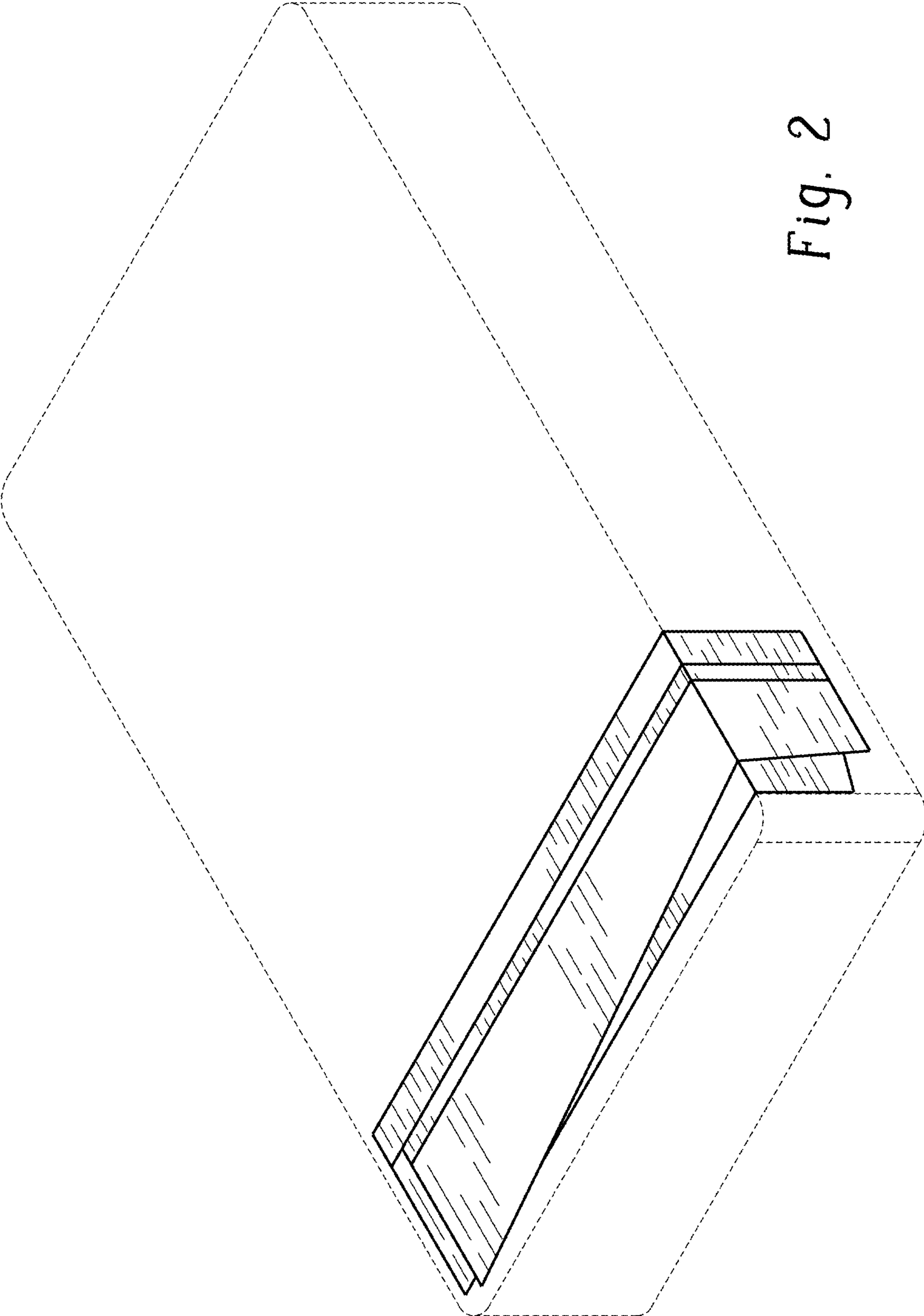
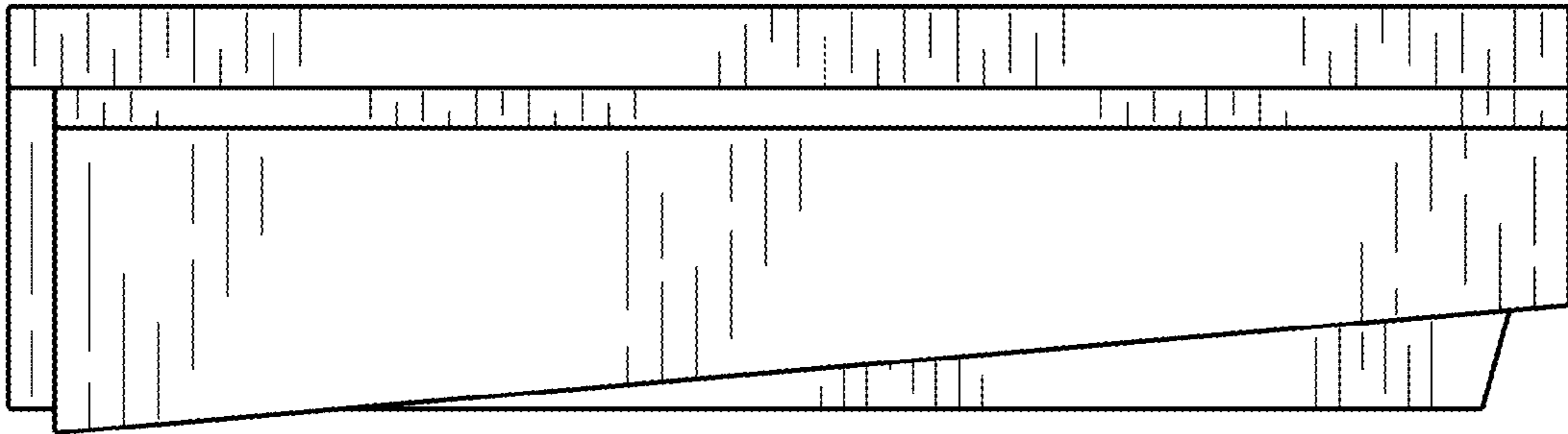
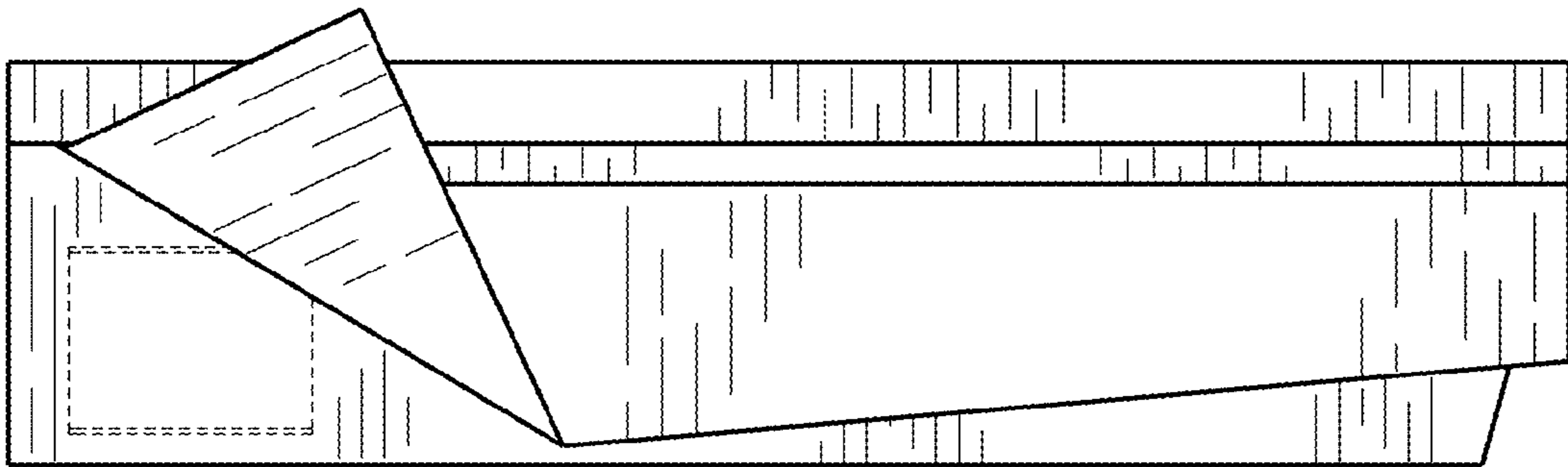


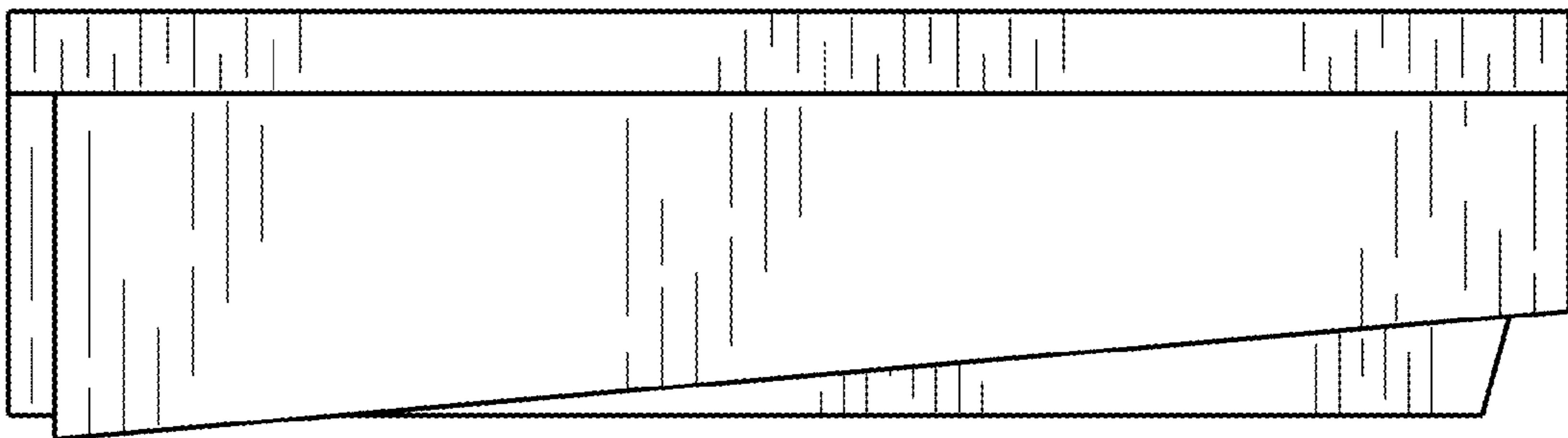
Fig. 2



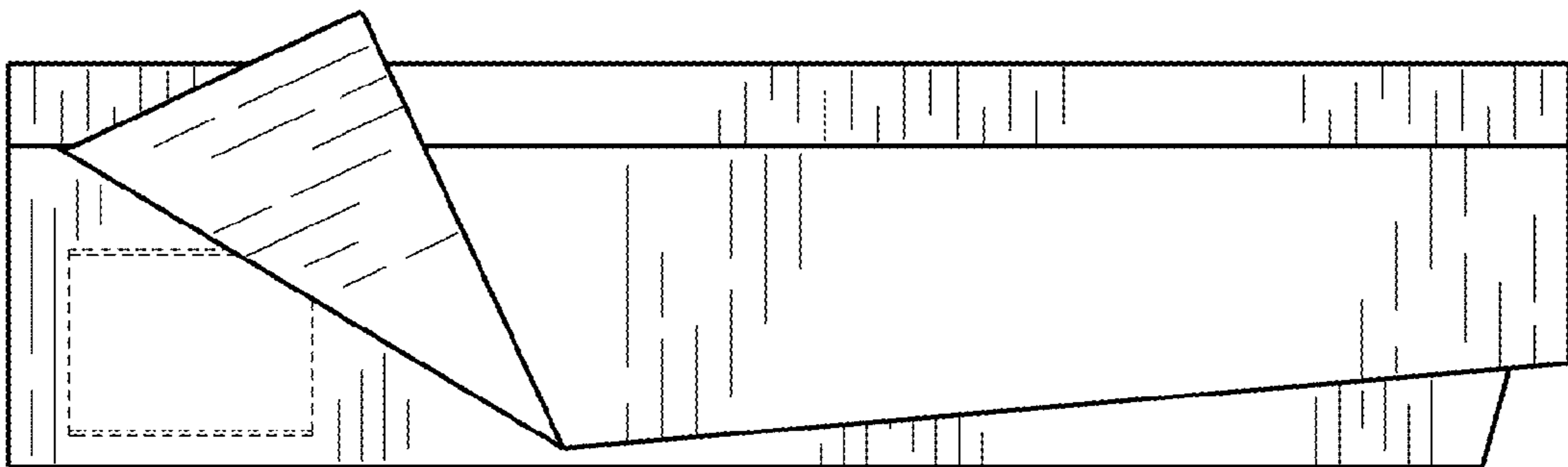
*Fig. 3*



*Fig. 4*



*Fig. 5*



*Fig. 6*