



US00D873581S

(12) **United States Design Patent** (10) **Patent No.:** **US D873,581 S**  
**Lisbona Vives** (45) **Date of Patent:** **\*\* Jan. 28, 2020**

(54) **SOAP DISPENSER COMPONENT**  
(71) Applicant: **Andrea Lisbona Vives**, Sant Cugat Del Valles (ES)  
(72) Inventor: **Andrea Lisbona Vives**, Sant Cugat Del Valles (ES)

D727,055 S \* 4/2015 Bogner ..... D6/518  
D732,309 S \* 6/2015 Lisbona Vives ..... A47K 5/1211  
D6/545  
9,357,886 B2 \* 6/2016 Duncan ..... A47K 5/1211  
D798,080 S \* 9/2017 Duncan ..... D6/542  
D840,712 S \* 2/2019 Buell ..... D6/545  
2005/0247737 A1 \* 11/2005 Armstrong ..... A47K 5/1202  
222/214

(73) Assignee: **TOUCLAND HOLDING CORP**, Miami, FL (US)

(Continued)

(\*\*) Term: **15 Years**

*Primary Examiner* — Mary Ann Calabrese  
(74) *Attorney, Agent, or Firm* — Thomas E. Lees, LLC

(21) Appl. No.: **35/504,880**

(57) **CLAIM**

(22) Filed: **Apr. 12, 2018**

The ornamental design for a soap dispenser component, as shown and described.

(80) **Hague Agreement Data**

**DESCRIPTION**

Int. Filing Date: **Apr. 12, 2018**  
Int. Reg. No.: **DM/100854**  
Int. Reg. Date: **Apr. 12, 2018**  
Int. Reg. Pub. Date: **May 11, 2018**

The patent or application file contains at least one drawing executed in color. Copies of this patent or patent application publication with color drawing(s) will be provided by the Office upon request and payment of the necessary fee.

(30) **Foreign Application Priority Data**

Nov. 7, 2017 (EM) ..... 004497303

(51) **LOC (12) Cl.** ..... **23-02**

(52) **U.S. Cl.**  
USPC ..... **D6/545**

(58) **Field of Classification Search**  
USPC ..... D6/540, 542-545, 553  
CPC ... A47K 5/00; A47K 5/06; A47K 5/12; A47K 5/1202; A47K 5/1204; A47K 5/1207; A47K 5/1211; A47K 5/1217; A47K 5/14  
See application file for complete search history.

- 1. Soap dispenser component
- 1.1 is a perspective view of a soap dispenser component showing my new design;
- 1.2 is a front side elevational view of the soap dispenser component of 1.1;
- 1.3 is a left end elevational view of the soap dispenser component of 1.1;
- 1.4 is a rear side elevational view of the soap dispenser component of 1.1;
- 1.5 is a right end elevational view of the soap dispenser component of 1.1;
- 1.6 is a top plan view of the soap dispenser component of 1.1;
- 1.7 is a bottom plan view of the soap dispenser component of 1.1.

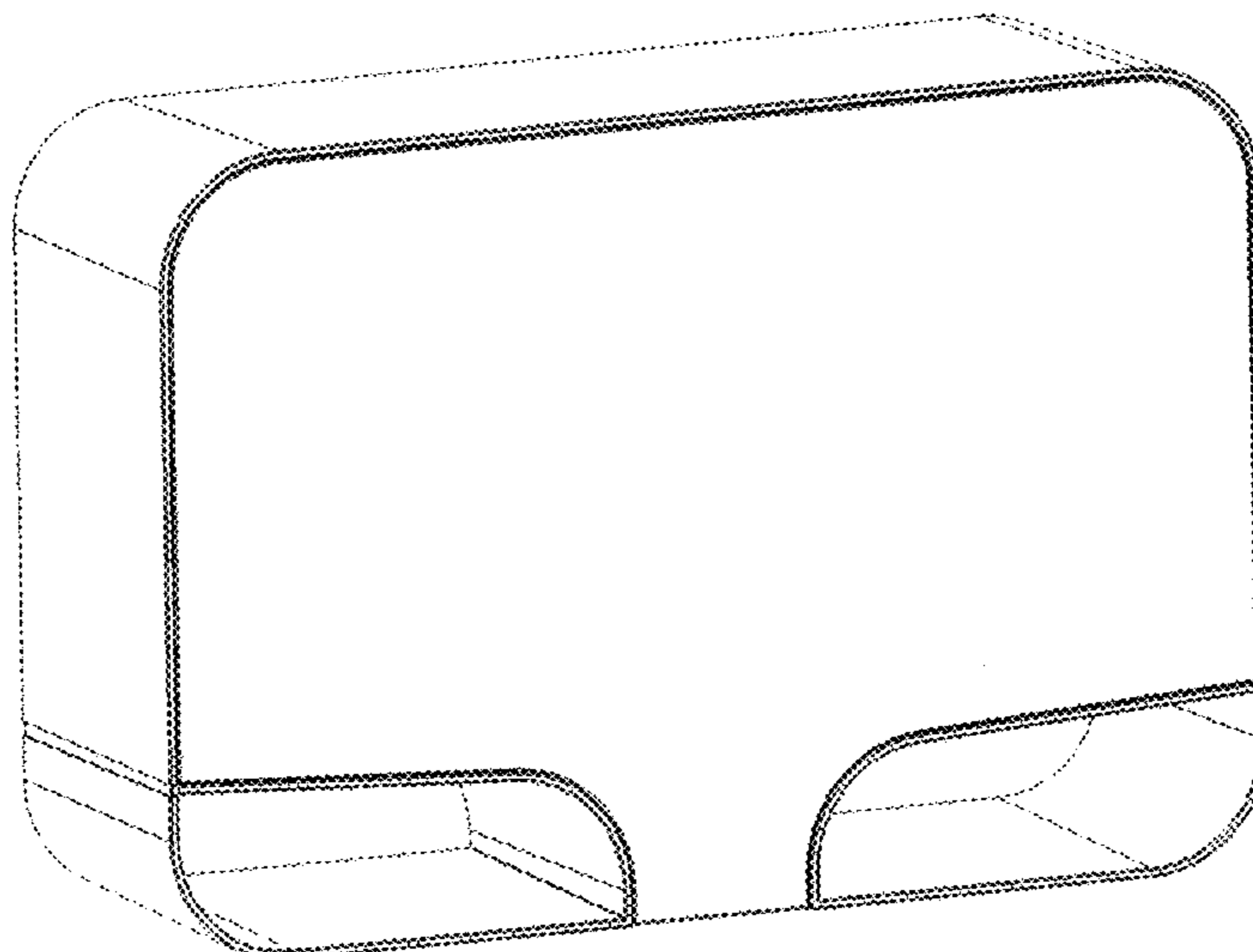
(56) **References Cited**

**U.S. PATENT DOCUMENTS**

D643,237 S \* 8/2011 Reynolds ..... A47K 5/1202  
D6/545  
8,622,242 B2 \* 1/2014 Pelfrey ..... A47K 5/1217  
222/181.3

The portions of the soap dispenser component shown in shaded blue coloring form no part of the claimed design.

**1 Claim, 7 Drawing Sheets**  
**(2 of 7 Drawing Sheet(s) Filed in Color)**



(56)

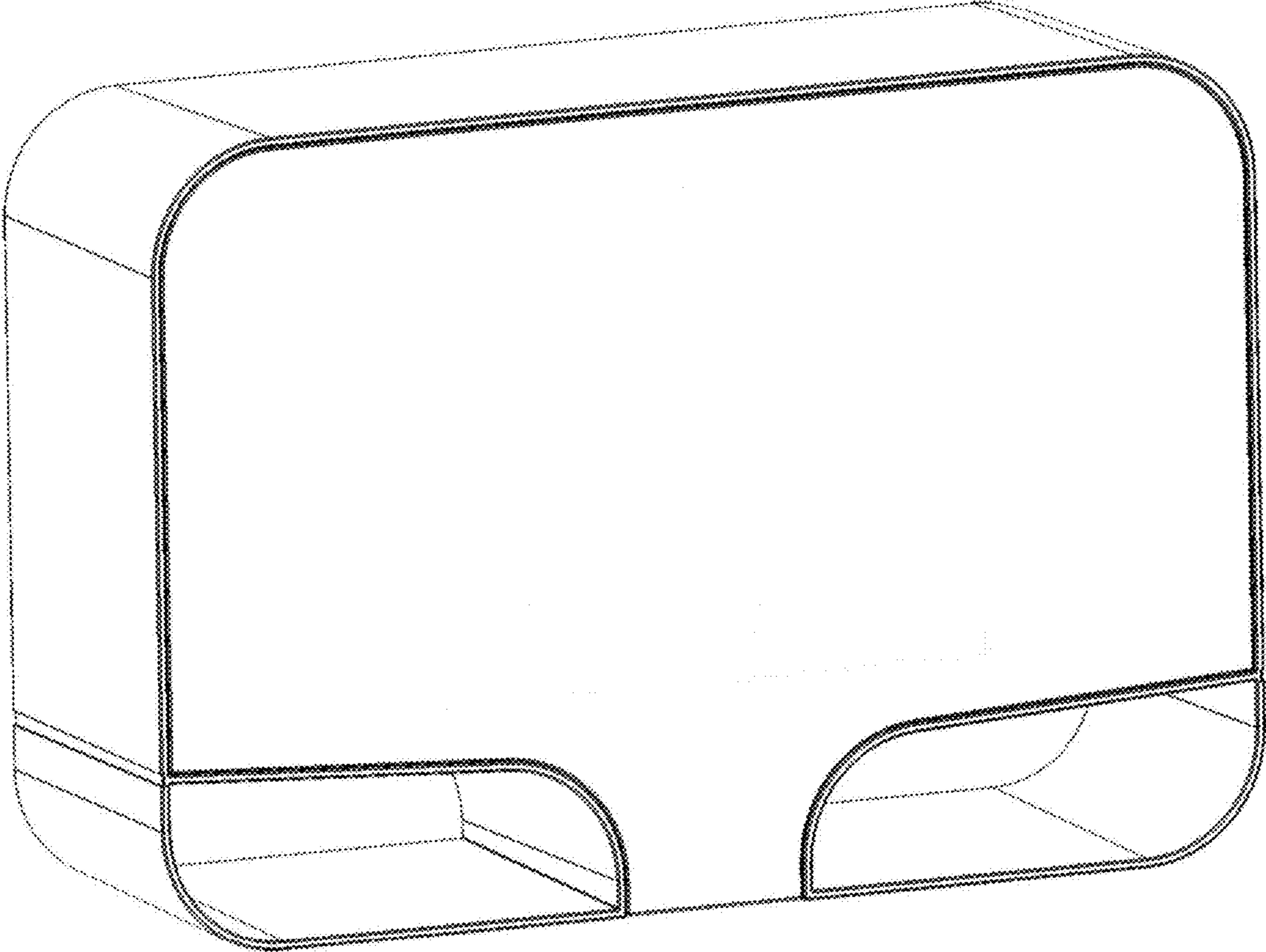
**References Cited**

U.S. PATENT DOCUMENTS

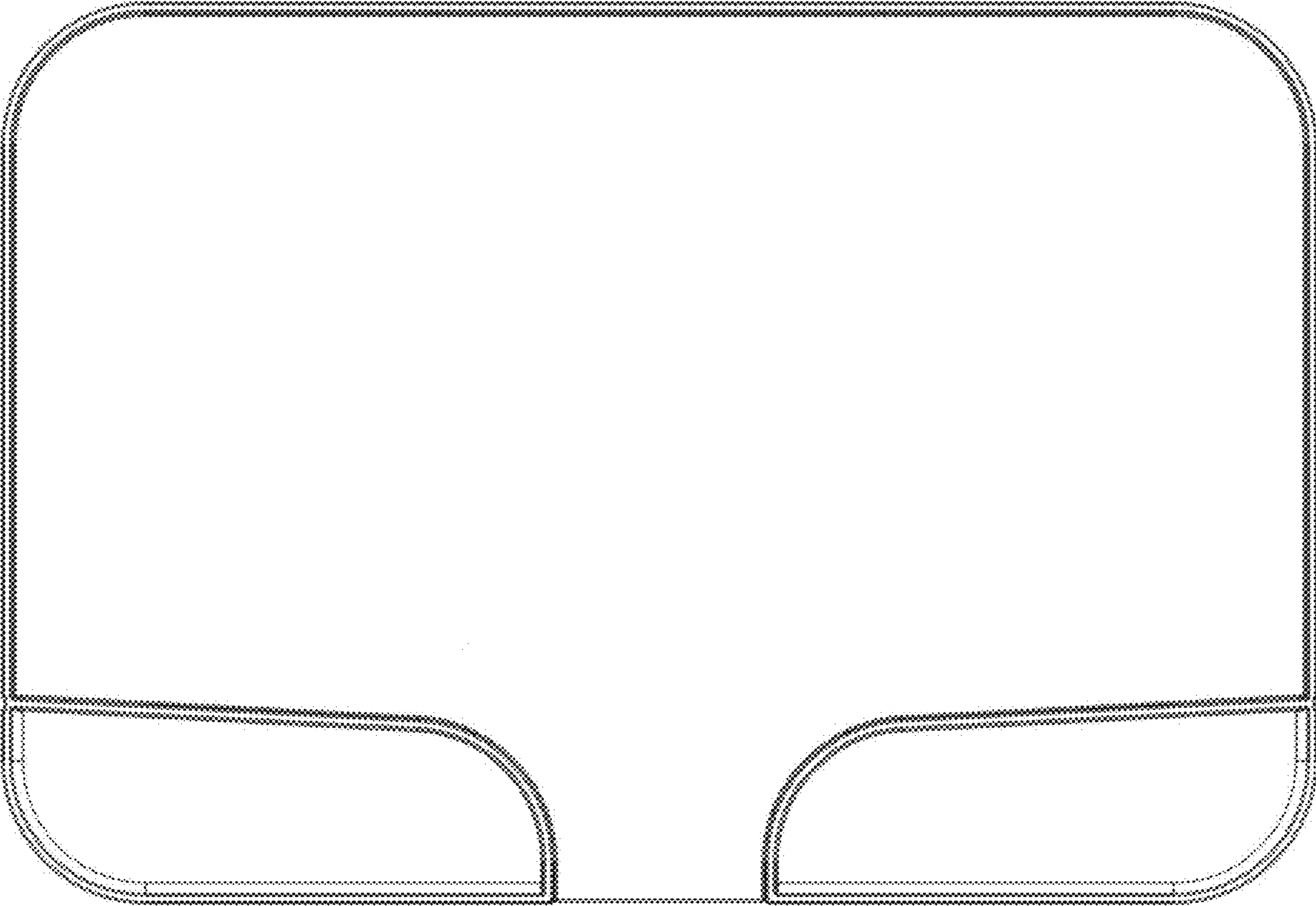
2011/0114670 A1\* 5/2011 Schmidt ..... A47K 5/12  
222/129  
2015/0320265 A1\* 11/2015 Bullock ..... A47K 5/1217  
222/1

\* cited by examiner

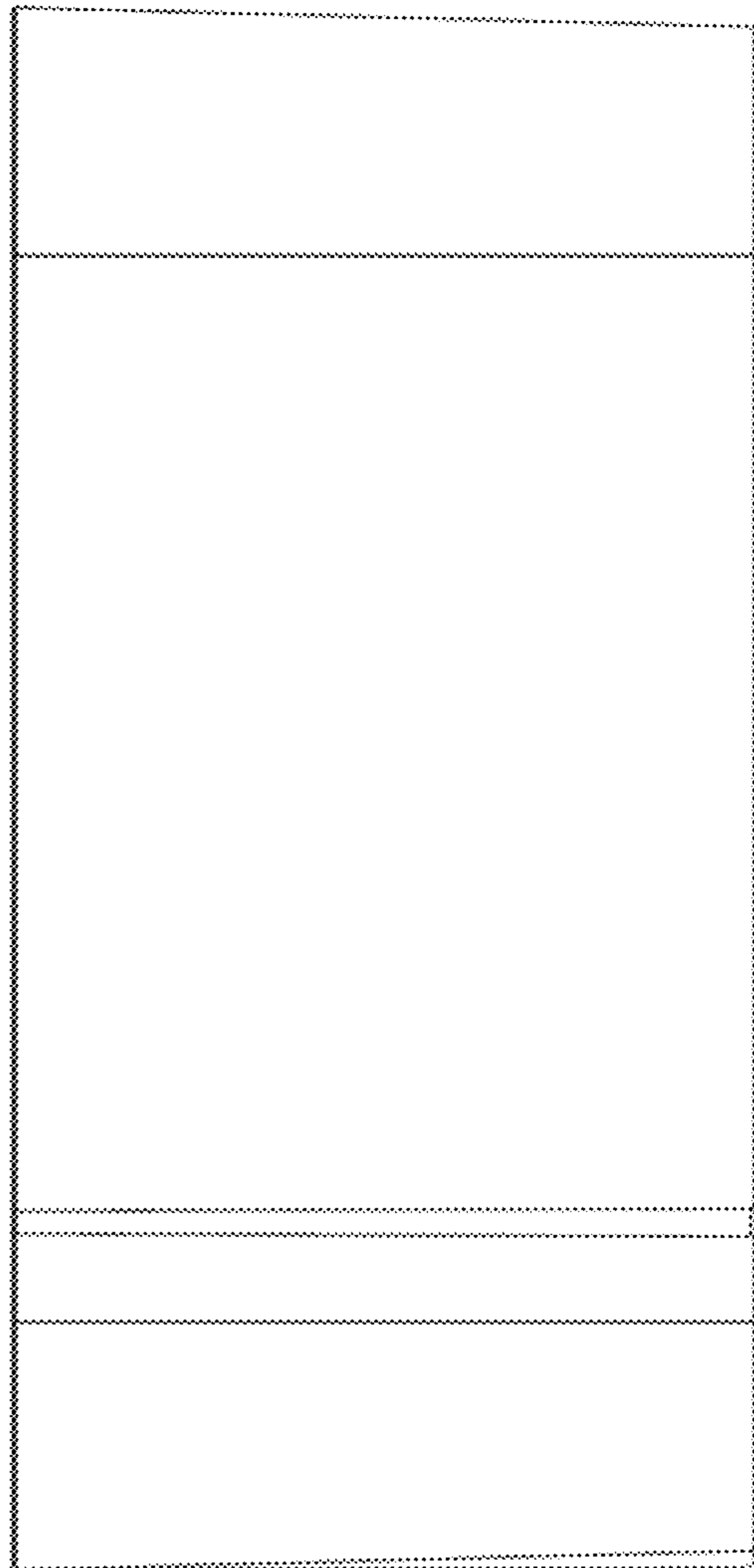
1.1



1.2

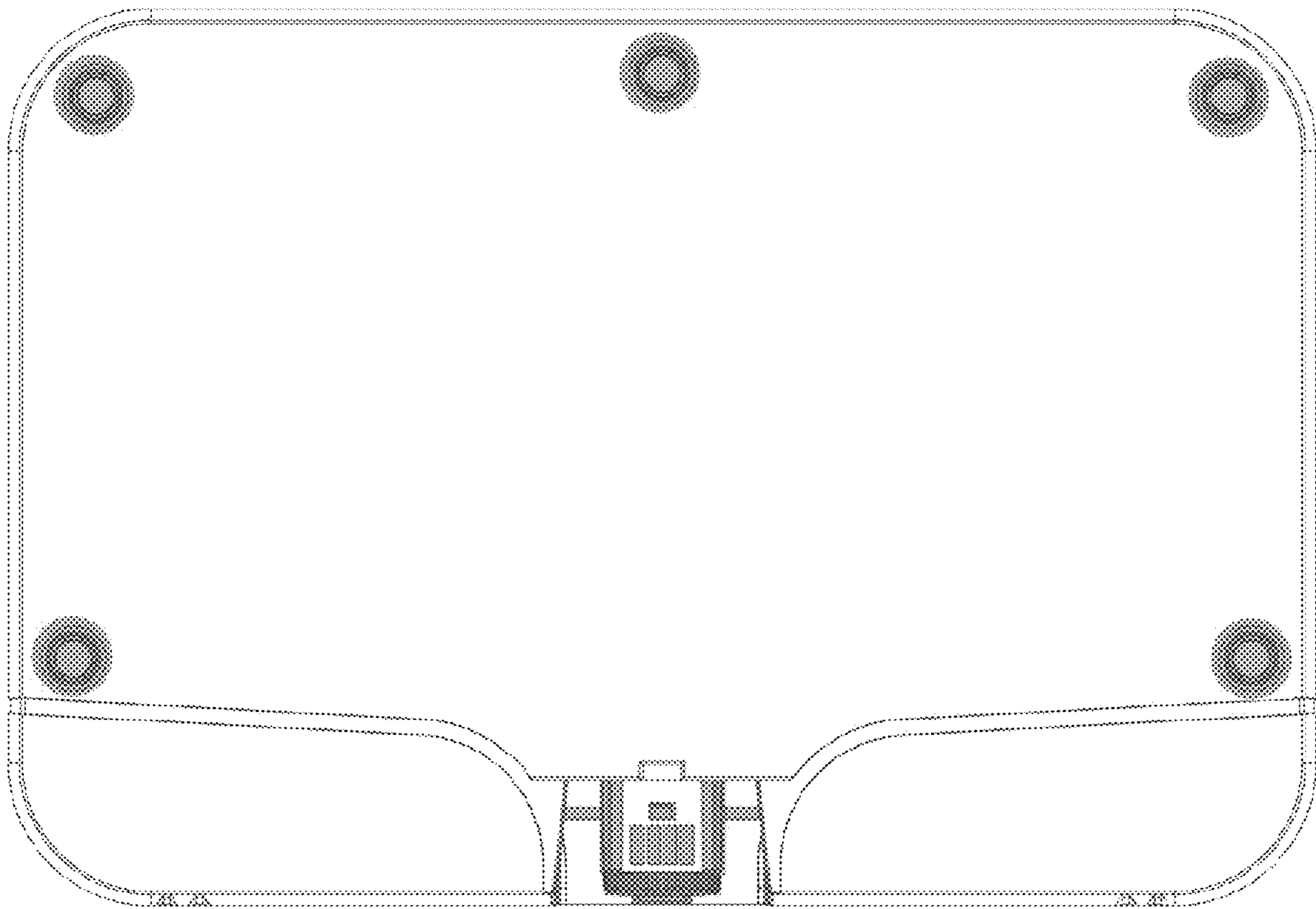


1.3

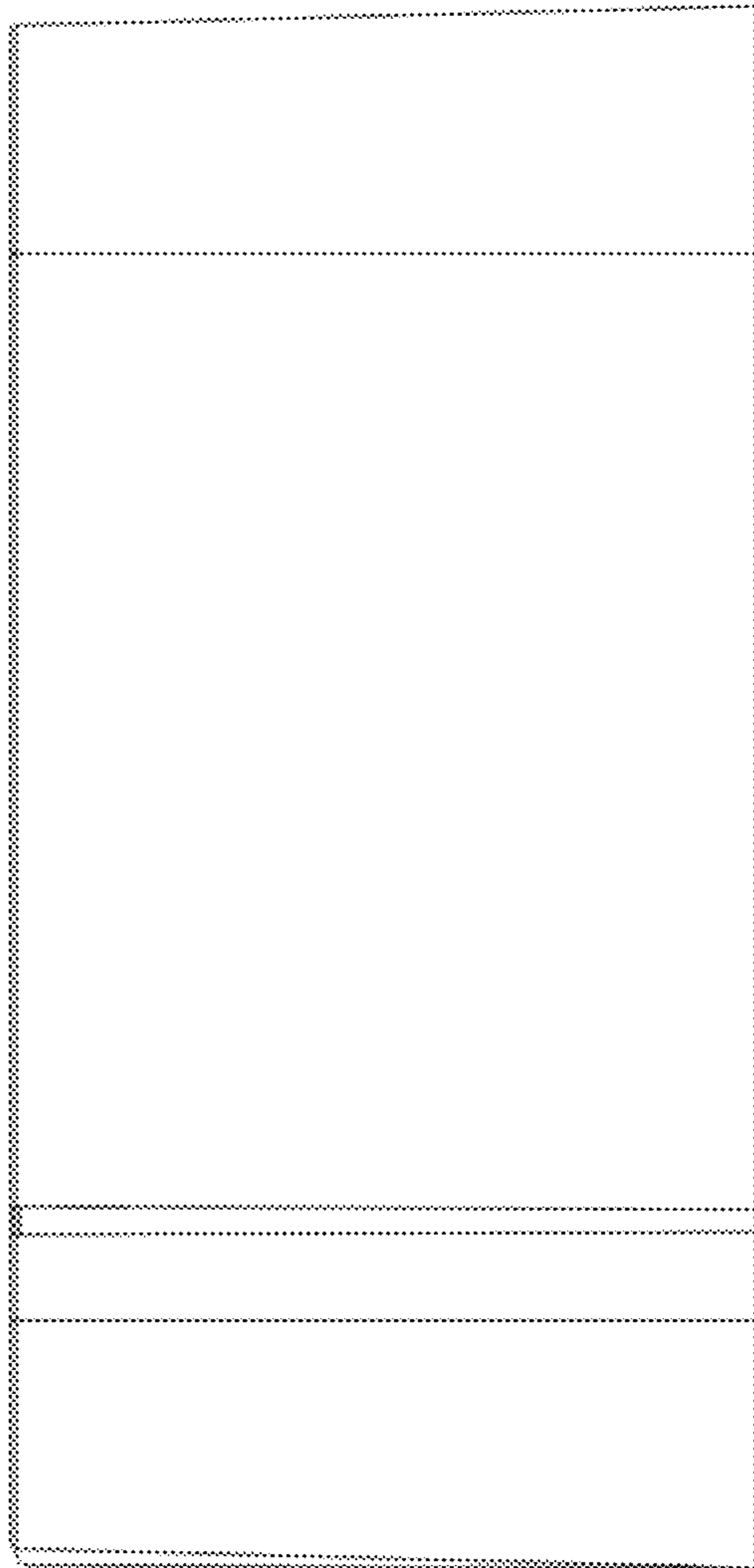




1.4



1.5



1.6





1.7

