



US00D873580S

(12) **United States Design Patent** (10) **Patent No.:** **US D873,580 S**  
**McGarry et al.** (45) **Date of Patent:** **\*\* Jan. 28, 2020**

(54) **RAZOR HANGER** 2,635,843 A 4/1953 Small  
D181,876 S 1/1958 Nolan et al.  
(71) Applicant: **The Gillette Company LLC**, Boston, MA (US) 2,845,245 A 7/1958 Gray et al.  
2,935,183 A 5/1960 Barnes, Jr.  
2,960,237 A 11/1960 McEney  
2,969,140 A 1/1961 Avetta  
(72) Inventors: **Rory Frederick Wellington McGarry**, Boston, MA (US); **Jonathon Albert Riehle**, Brighton, MA (US); **Andrew Anthony Szczepanowski**, Boston, MA (US) D197,880 S 4/1964 Rubin  
3,760,938 A 9/1973 Ferrier  
3,772,742 A 11/1973 Gigante  
3,945,499 A 3/1976 Brownson  
4,000,832 A 1/1977 Pentney  
D254,881 S 5/1980 Pyskaty  
D258,474 S 3/1981 Edstrom  
D258,475 S 3/1981 Edstrom  
4,275,862 A 6/1981 Takagi et al.  
D267,453 S 1/1983 Kipperman  
(\*\*) Term: **15 Years** (Continued)

(21) Appl. No.: **29/665,714**  
(22) Filed: **Oct. 5, 2018**  
(51) **LOC (12) Cl.** ..... **28-03**  
(52) **U.S. Cl.**  
USPC ..... **D6/526**  
(58) **Field of Classification Search**  
USPC ..... D6/526, 524, 540, 534, 528; D9/748, D9/749; 206/208, 209, 228, 361, 362.1, 206/362.2, 362.3; 211/13.1, 66, 70.6, 211/86.01, 87.01, 89.01; 248/127, 176.1, 248/200, 205.5, 309.1, 314  
CPC . B26B 19/3806; B26B 19/3853; B26B 21/52; B26B 21/10; B26B 21/4006; B26B 21/522  
See application file for complete search history.

(56) **References Cited**  
U.S. PATENT DOCUMENTS  
1,614,011 A 1/1927 Martins  
1,974,776 A 9/1934 Hagel  
1,981,674 A 11/1934 Solomon  
2,052,021 A 8/1936 Drachman  
2,523,921 A 9/1950 Daggett  
2,616,647 A 11/1952 Murchison

**FOREIGN PATENT DOCUMENTS**

EP 0854020 A1 7/1998  
WO WO9821998 A1 5/1998  
WO WO2015192963 A1 12/2015

*Primary Examiner* — Wan Laymon  
*Assistant Examiner* — Mark Booker  
(74) *Attorney, Agent, or Firm* — John M. Lipchitz

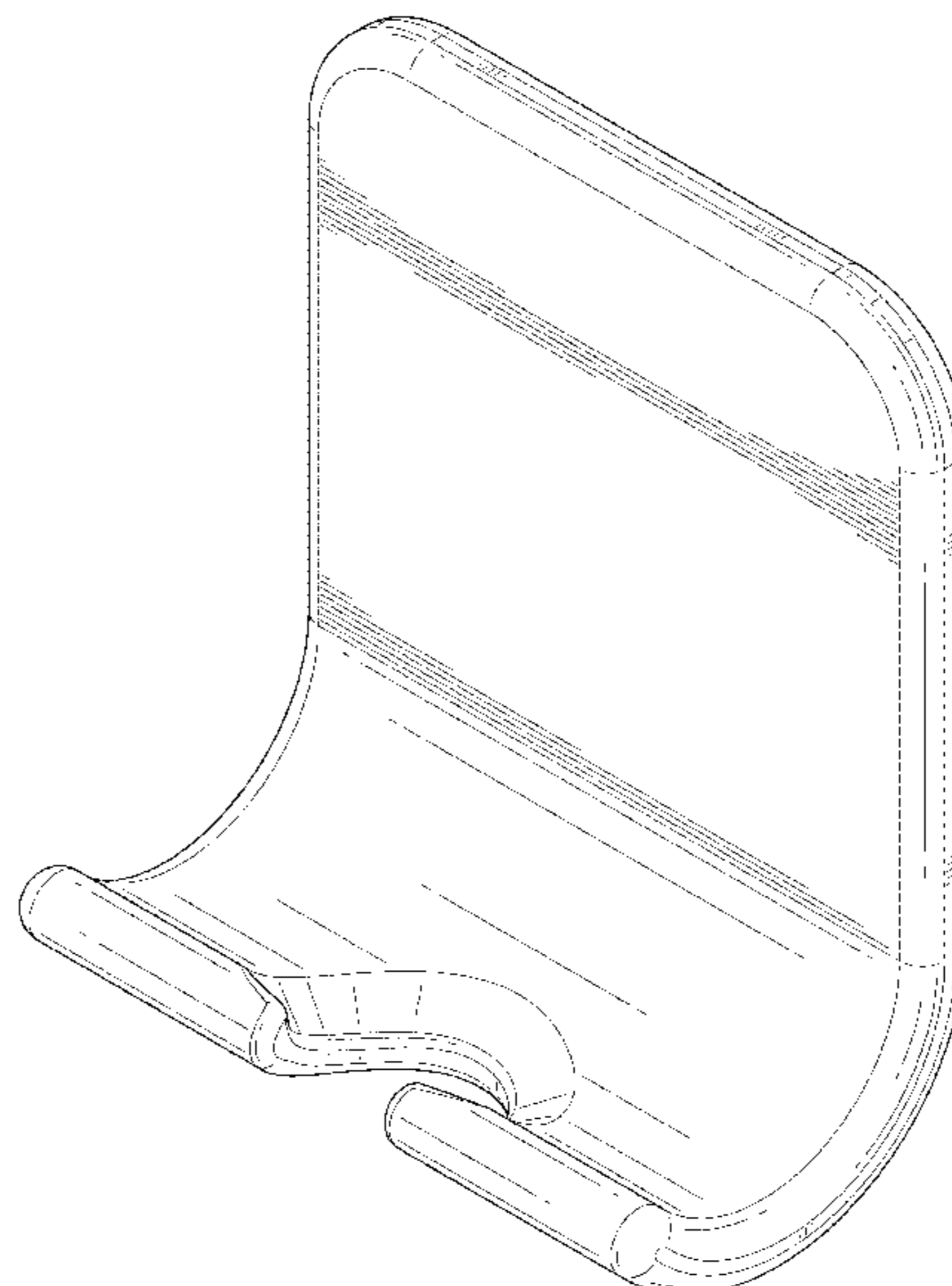
(57) **CLAIM**

The ornamental design for a razor hanger, as shown and described.

**DESCRIPTION**

FIG. 1 is a first perspective view of a razor hanger of the present invention;  
FIG. 2 is a front view thereof;  
FIG. 3 is a rear view thereof;  
FIG. 4 is a right side view thereof;  
FIG. 5 is a left side view thereof;  
FIG. 6 is a top view thereof;  
FIG. 7 is a bottom view thereof; and,  
FIG. 8 is a second perspective view thereof.

**1 Claim, 8 Drawing Sheets**



(56)

References Cited

U.S. PATENT DOCUMENTS

D282,993	S	3/1986	Sanford	
D294,903	S	3/1988	Pokorny	
4,773,158	A	9/1988	Kertzman	
5,240,107	A	8/1993	Casale	
D369,049	S	4/1996	Scaglione	
5,615,858	A	4/1997	Sferruzza, Jr.	
D404,526	S	1/1999	Motta et al.	
5,862,816	A	1/1999	Lowe	
D425,255	S *	5/2000	Chen .....	D28/73
7,040,024	B2	5/2006	Lukan et al.	
D533,740	S	12/2006	Dombrowski et al.	
D544,264	S *	6/2007	Gallagher .....	D6/524
D544,737	S	6/2007	Nagoya	
D547,582	S	7/2007	Lukan	
D574,651	S	8/2008	Wonderley et al.	
D576,436	S *	9/2008	Provost .....	D6/526
7,506,854	B2	3/2009	Lukan	
D621,637	S	8/2010	Meech et al.	
D621,638	S	8/2010	Meech et al.	
D625,130	S	10/2010	Szczepanowski et al.	
D632,516	S	2/2011	Schulz et al.	
D647,341	S	10/2011	Micinilio	
D677,090	S *	3/2013	Floyd .....	D6/526
D677,503	S *	3/2013	Floyd .....	D6/526
D699,473	S *	2/2014	Szczepanowski .....	D6/526
8,662,463	B2	3/2014	Chen et al.	
2008/0296244	A1	12/2008	Tomassetti	
2009/0067075	A1	3/2009	Porter, III	

\* cited by examiner

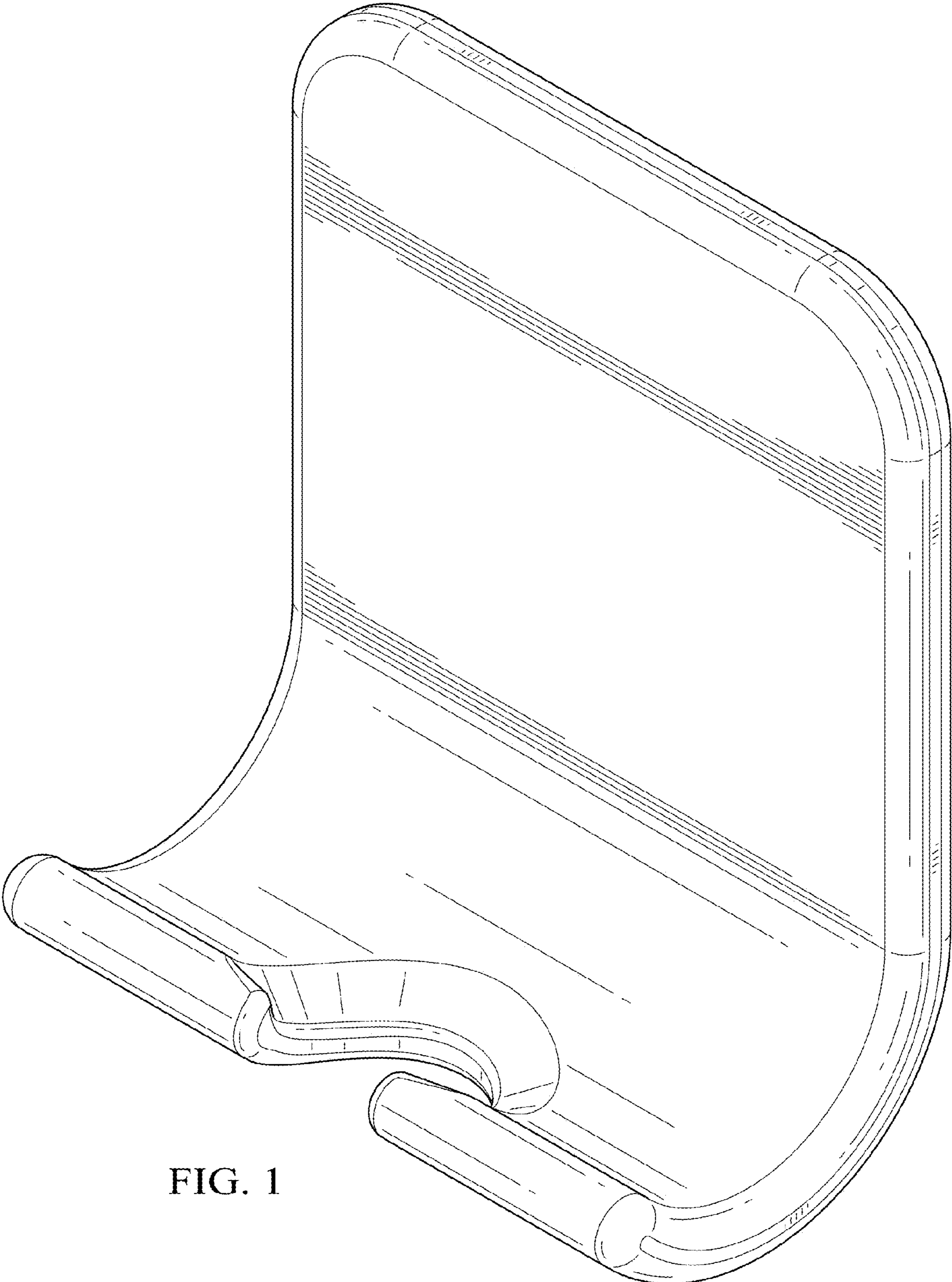


FIG. 1

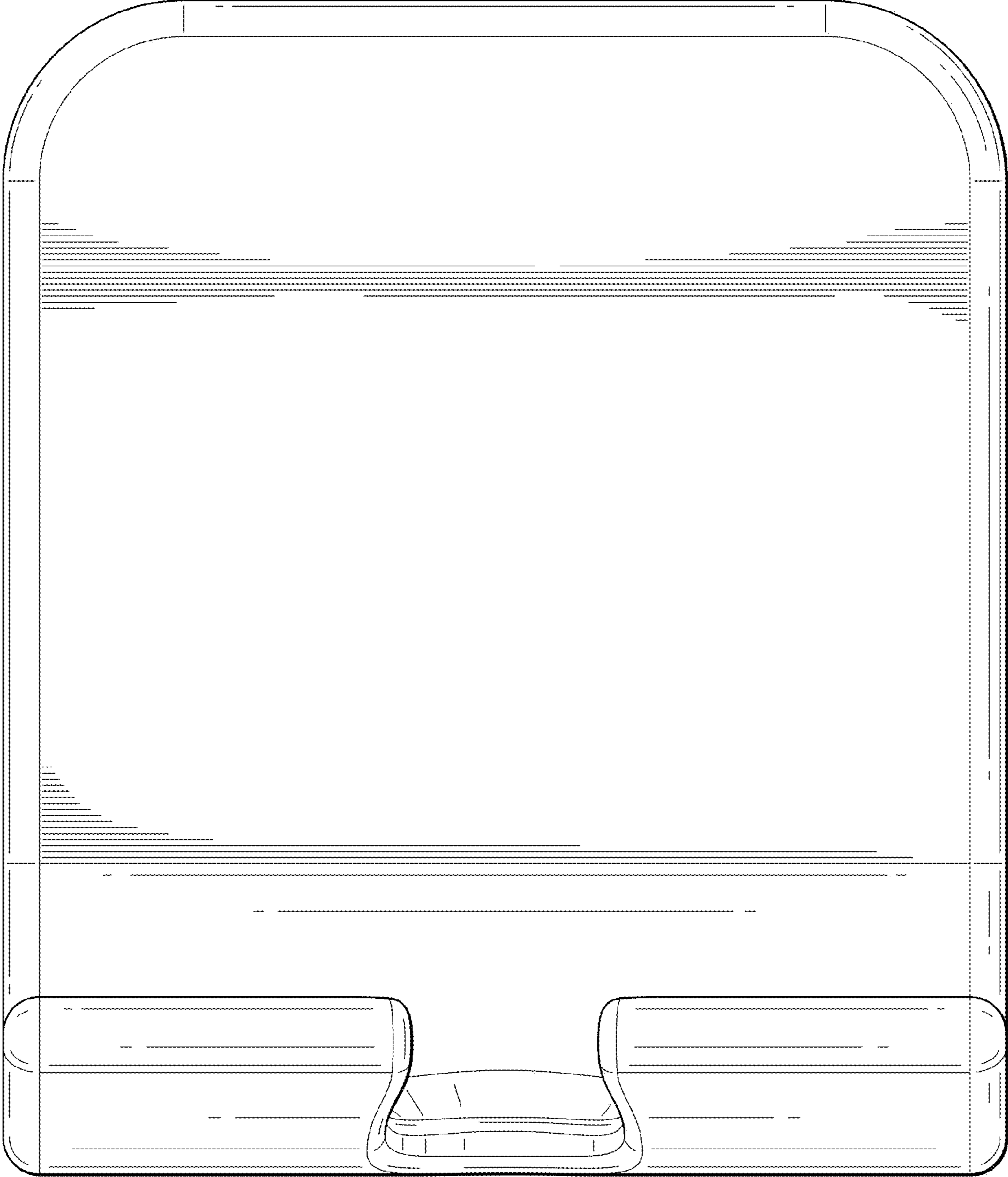


FIG. 2

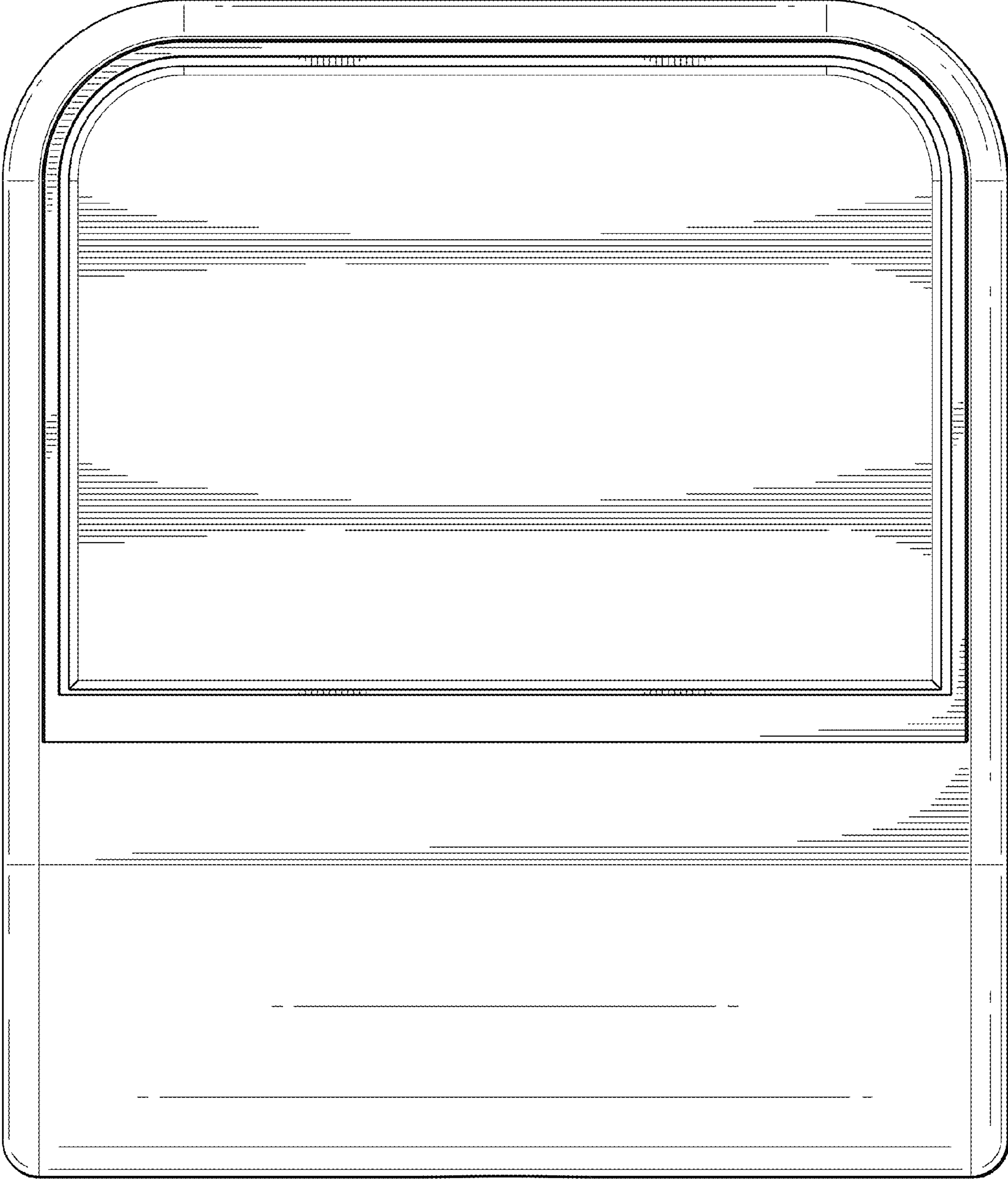


FIG. 3

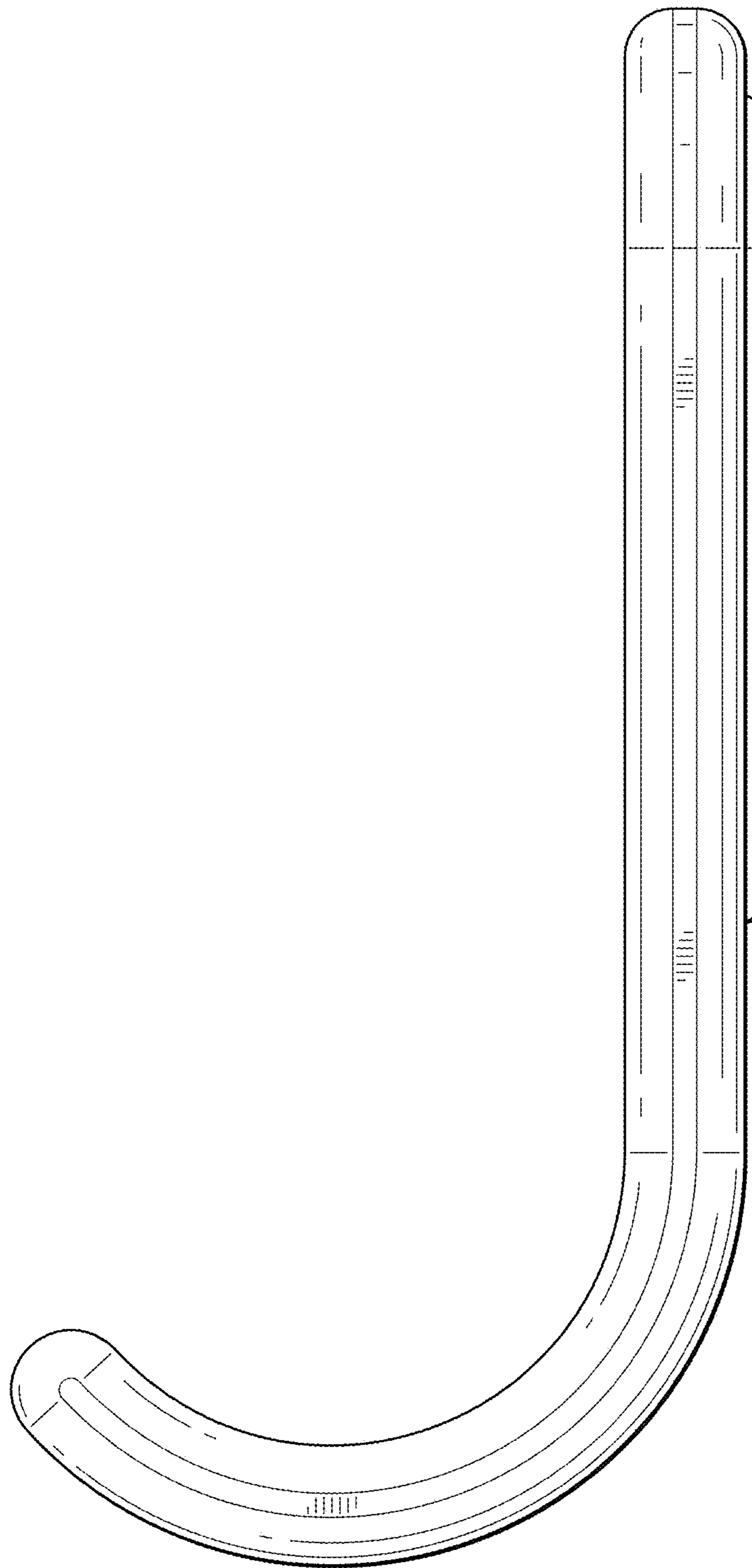


FIG. 4

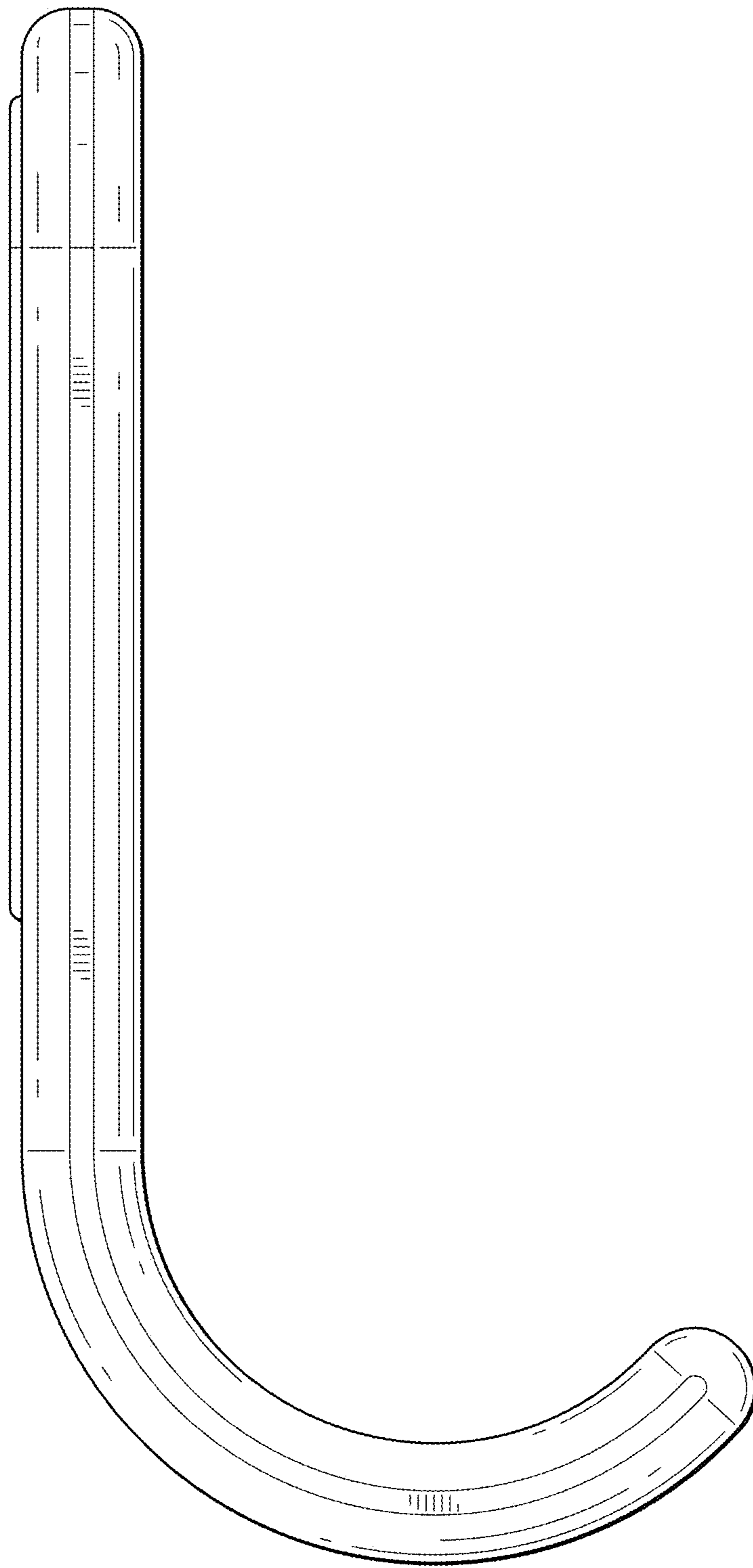


FIG. 5

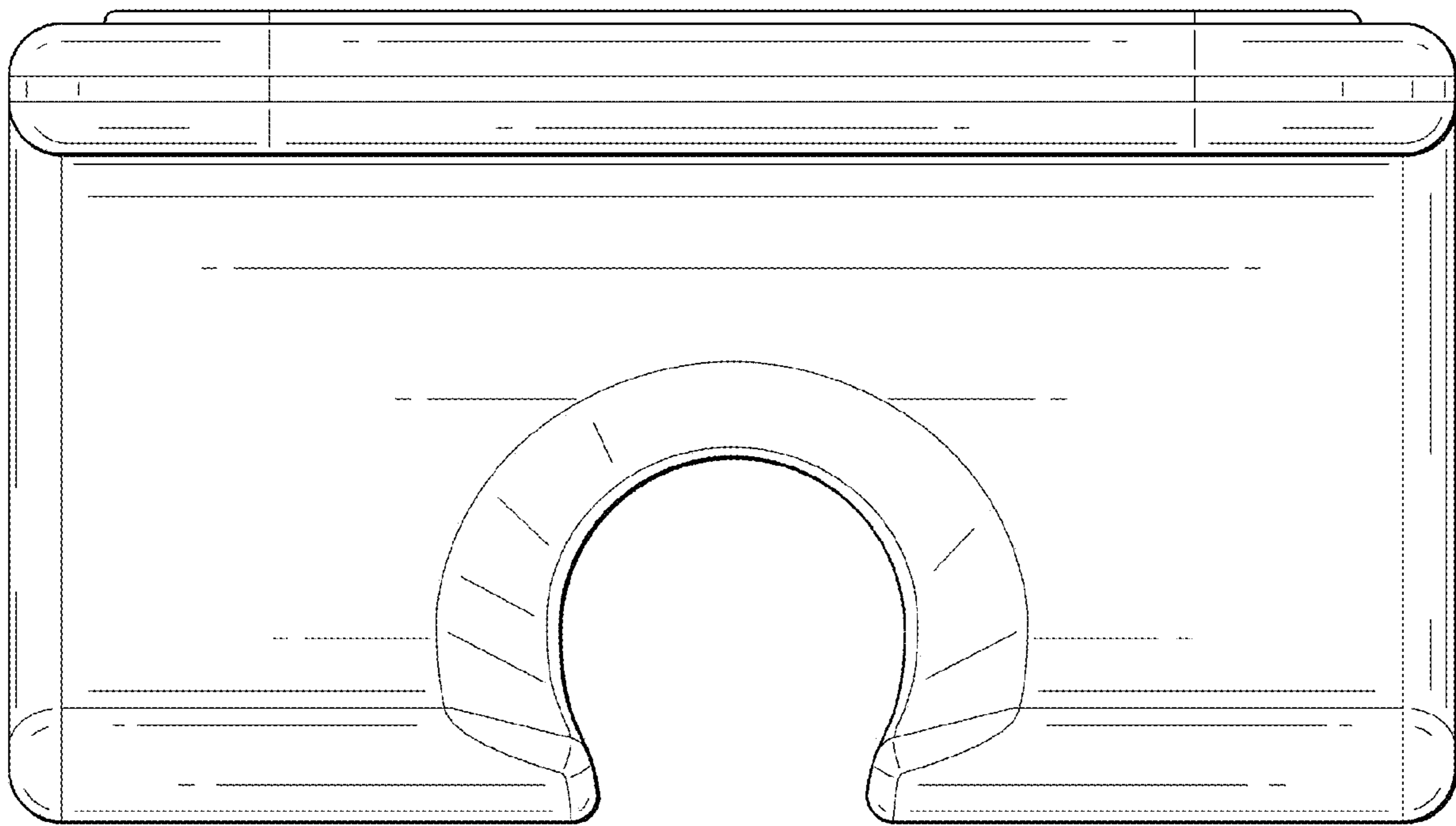


FIG. 6



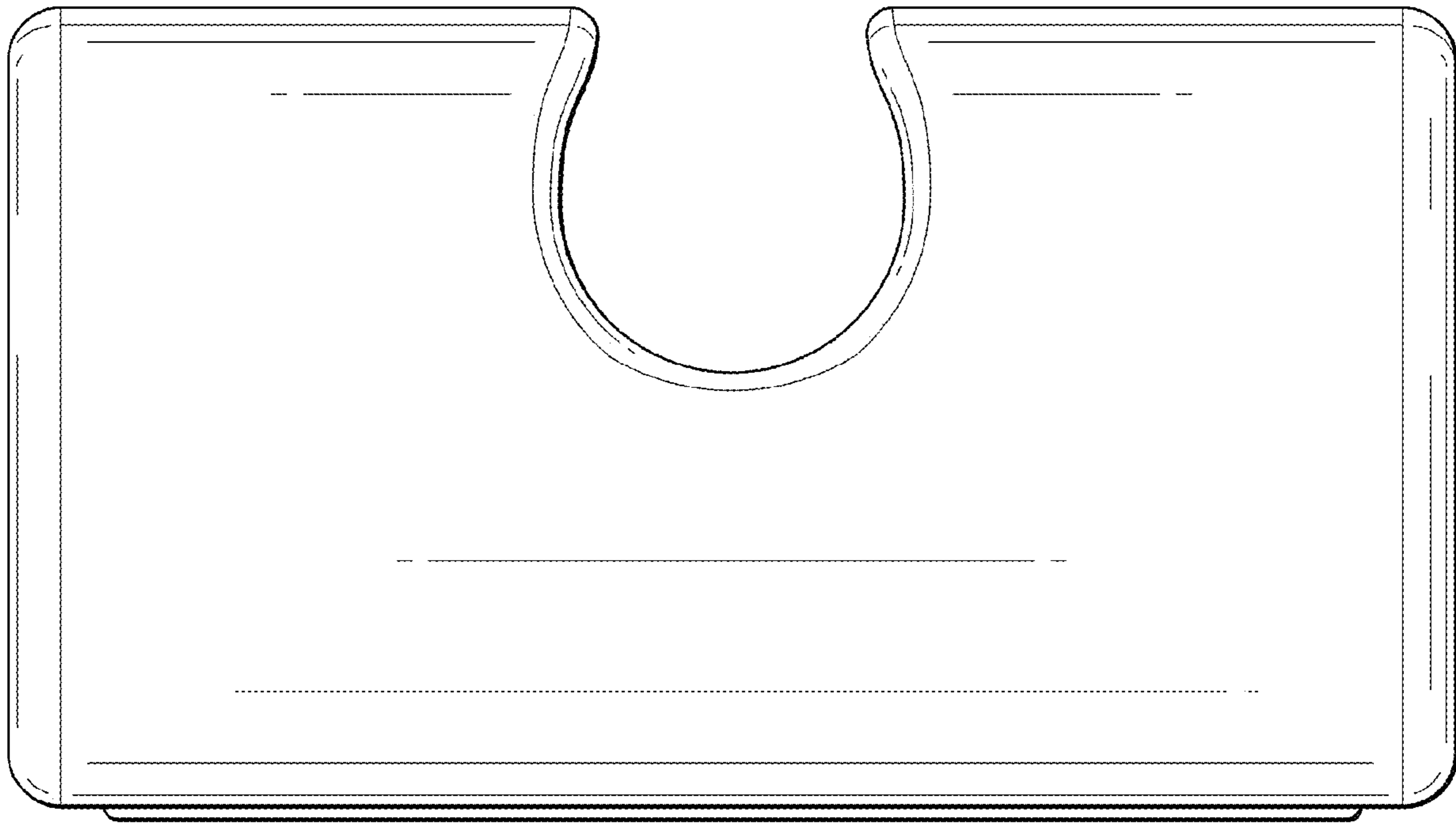


FIG. 7

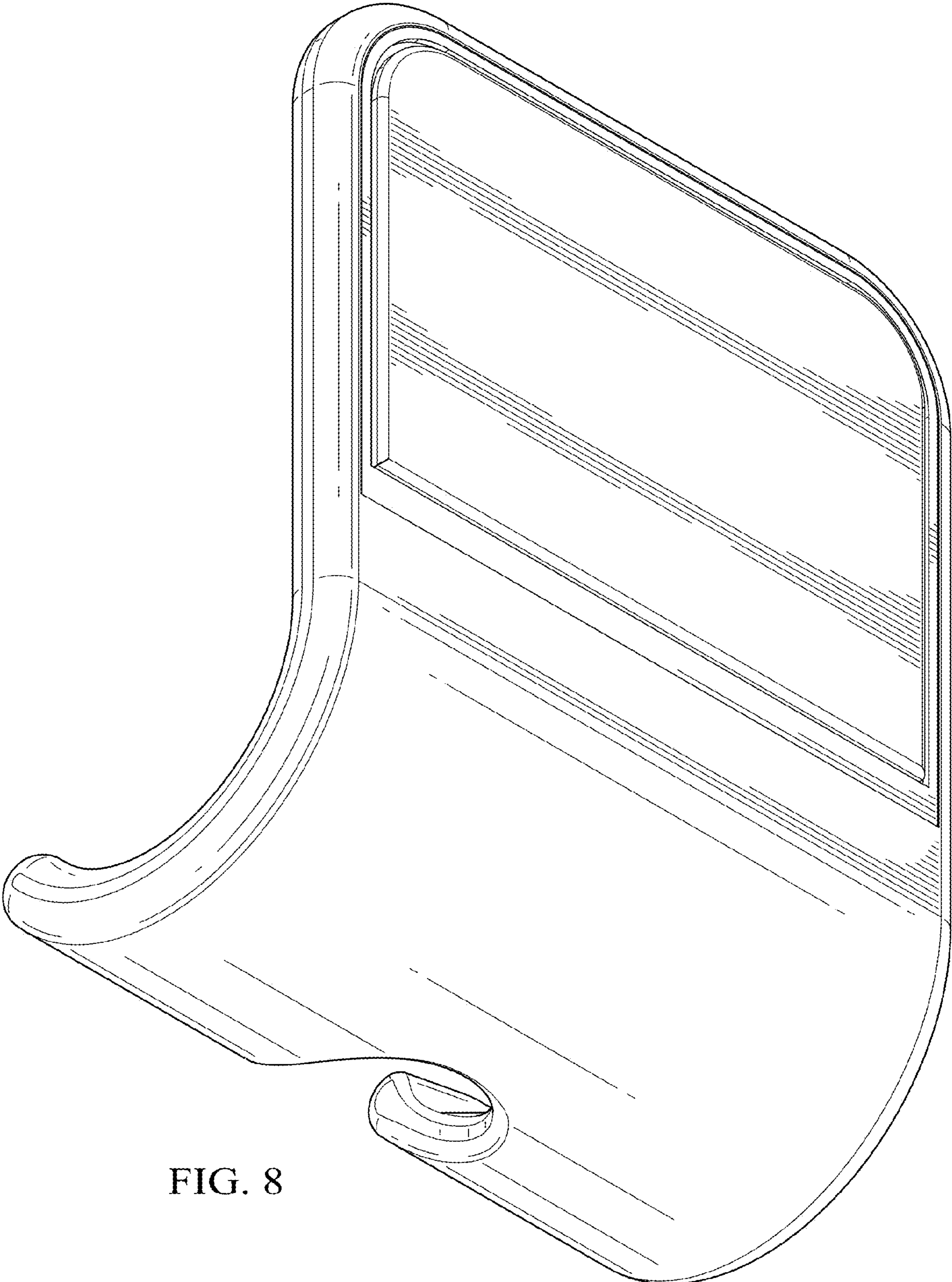


FIG. 8