



US00D873579S

(12) **United States Design Patent** (10) **Patent No.:** **US D873,579 S**
Kumazawa (45) **Date of Patent:** **** Jan. 28, 2020**

(54) **CHAIR**
(71) Applicant: **AICHI CO., LTD.**, Aichi (JP)
(72) Inventor: **Taku Kumazawa**, Nagoya (JP)
(**) Term: **15 Years**

(21) Appl. No.: **35/505,452**
(22) Filed: **Feb. 9, 2018**

(80) **Hague Agreement Data**
Int. Filing Date: **Feb. 9, 2018**
Int. Reg. No.: **DM/100401**
Int. Reg. Date: **Feb. 9, 2018**
Int. Reg. Pub. Date: **Aug. 10, 2018**

(30) **Foreign Application Priority Data**

Aug. 10, 2017 (JP) 2017-017335
Aug. 18, 2017 (JP) 2017-017716
Aug. 18, 2017 (JP) 2017-017717

(51) **LOC (12) Cl.** **06-01**
(52) **U.S. Cl.**
USPC **D6/380**

(58) **Field of Classification Search**
USPC D6/334, 379, 380
CPC A47C 1/00; A47C 3/00; A47C 7/00; A47C 7/02; A47C 7/022; A47C 7/024
See application file for complete search history.

(56) **References Cited**

U.S. PATENT DOCUMENTS

D184,855 S * 4/1959 Cramer D6/380
3,111,344 A * 11/1963 Hoven A47C 1/124
297/239
D250,374 S * 11/1978 Prizlow D6/366
D292,149 S * 10/1987 Monesi D6/380
D298,492 S * 11/1988 Ochsner A47C 1/124
D6/379

D299,192 S * 1/1989 Chadwick D6/380
D309,222 S * 7/1990 Lubke D6/366
D710,638 S * 8/2014 Bellini D6/716
D756,140 S 5/2016 Kumazawa
D770,823 S 11/2016 Kumazawa
D805,338 S * 12/2017 Nakamura D6/716.4

FOREIGN PATENT DOCUMENTS

AU 356697 7/2014
AU 357131 8/2014
CN 302978486 S 10/2014
EM 002478891-0001 6/2014
EM 002478891-0002 6/2014
EM 002478891-0003 6/2014
JP 1513193 S 11/2017
JP 1513196 S 11/2017
JP 1513458 S 11/2017

* cited by examiner

Primary Examiner — Mary Ann Calabrese

(57) **CLAIM**

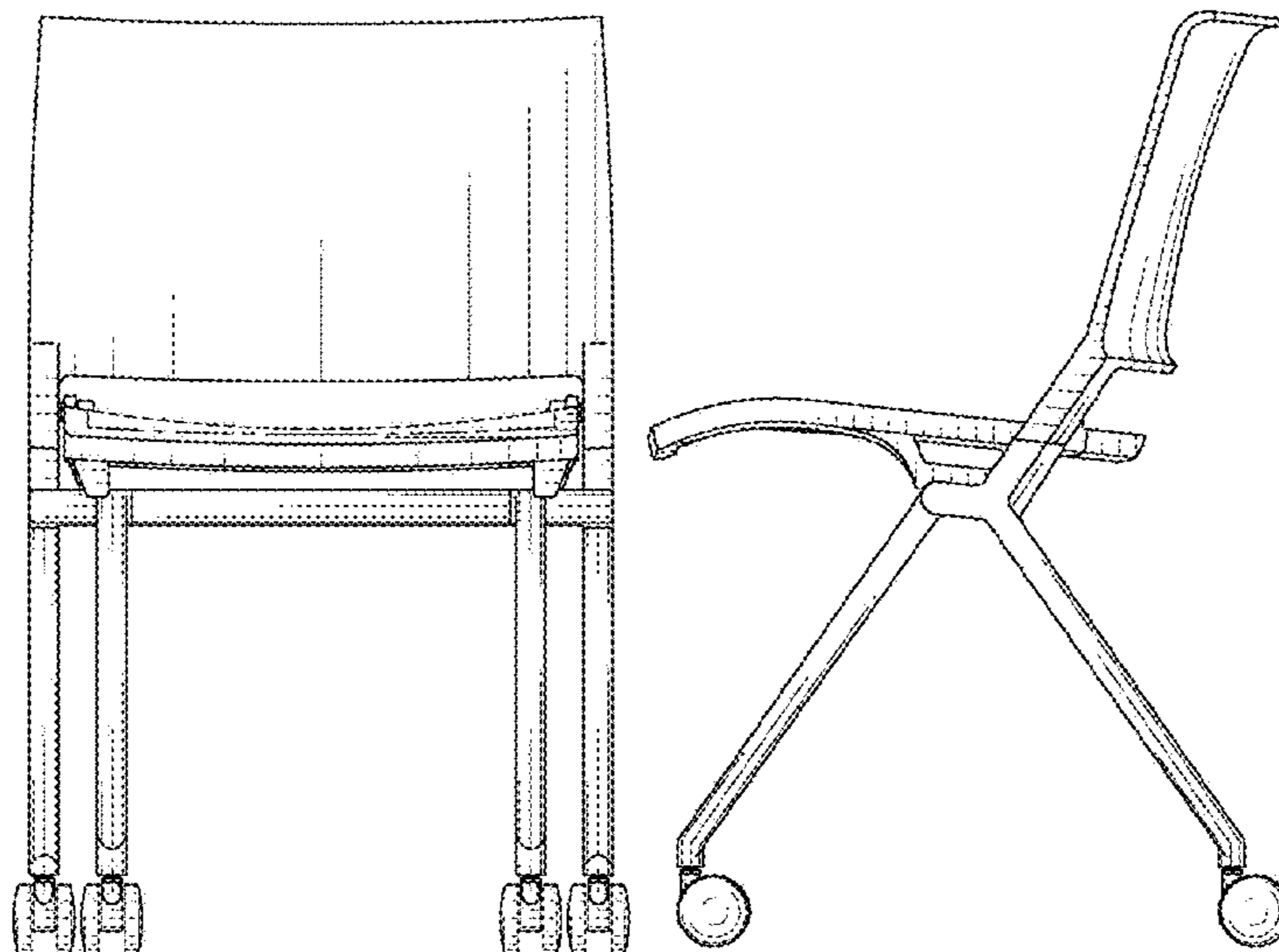
The ornamental design for chair, as shown and described.

DESCRIPTION

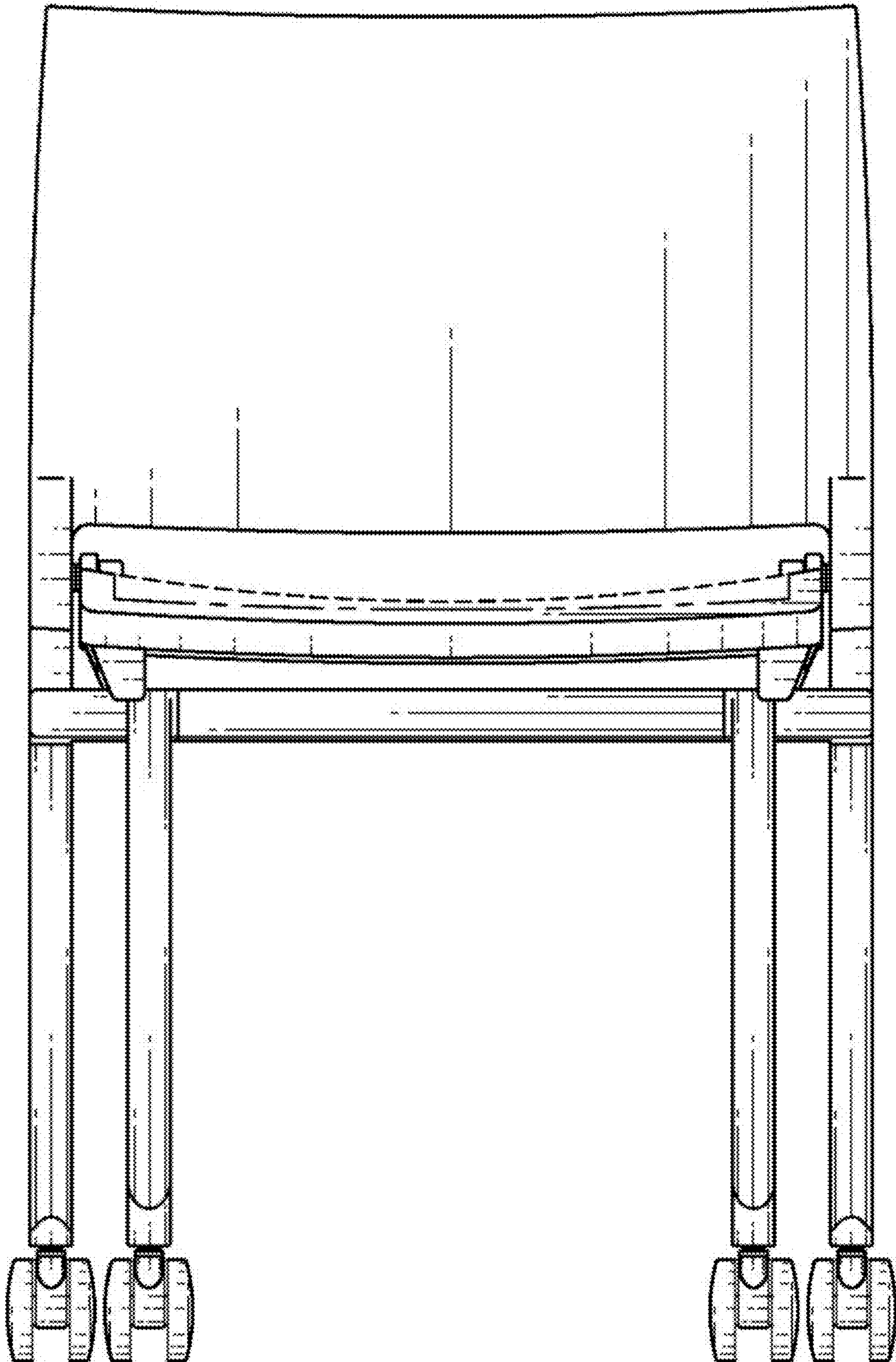
- 1. Chair
- 1.1 : Front
- 1.2 : Back
- 1.3 : Right
- 1.4 : Top
- 1.5 : Bottom
- 1.6 : Cross-sectional
- 1.7 : Right view with seat raised
- 1.8 : Right view of stacked chairs

The portions of the reproductions shown in dash-dash broken lines are not part of the claimed design. The dot-dash-dot broken lines represent the boundaries of the claim and form no part thereof. The left side view is a mirror image of the right side view of 1.3 and therefore not shown. 1.6 is a cross-sectional view, vertically sectioned at the center of the chair.

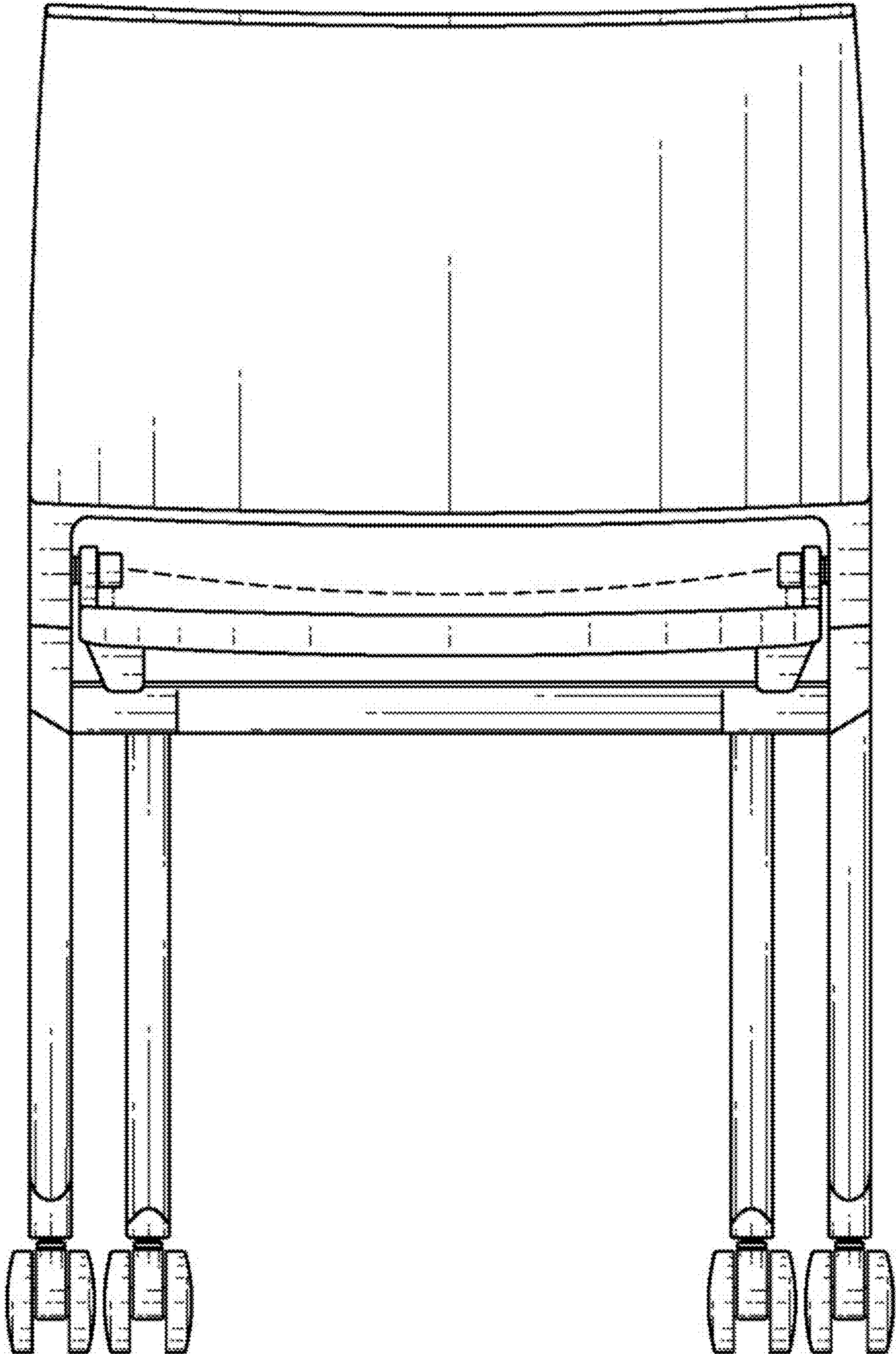
1 Claim, 8 Drawing Sheets



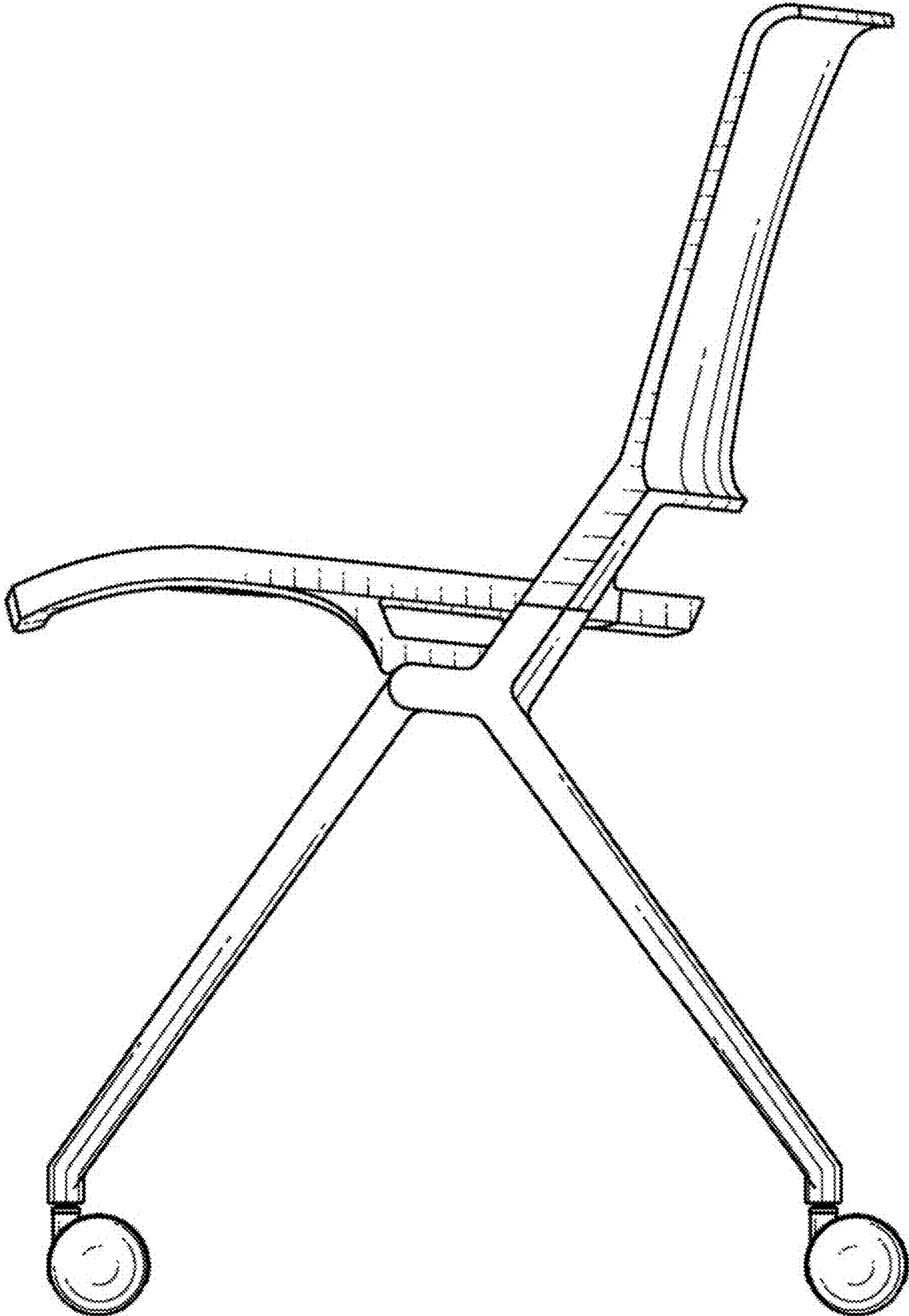
1.1



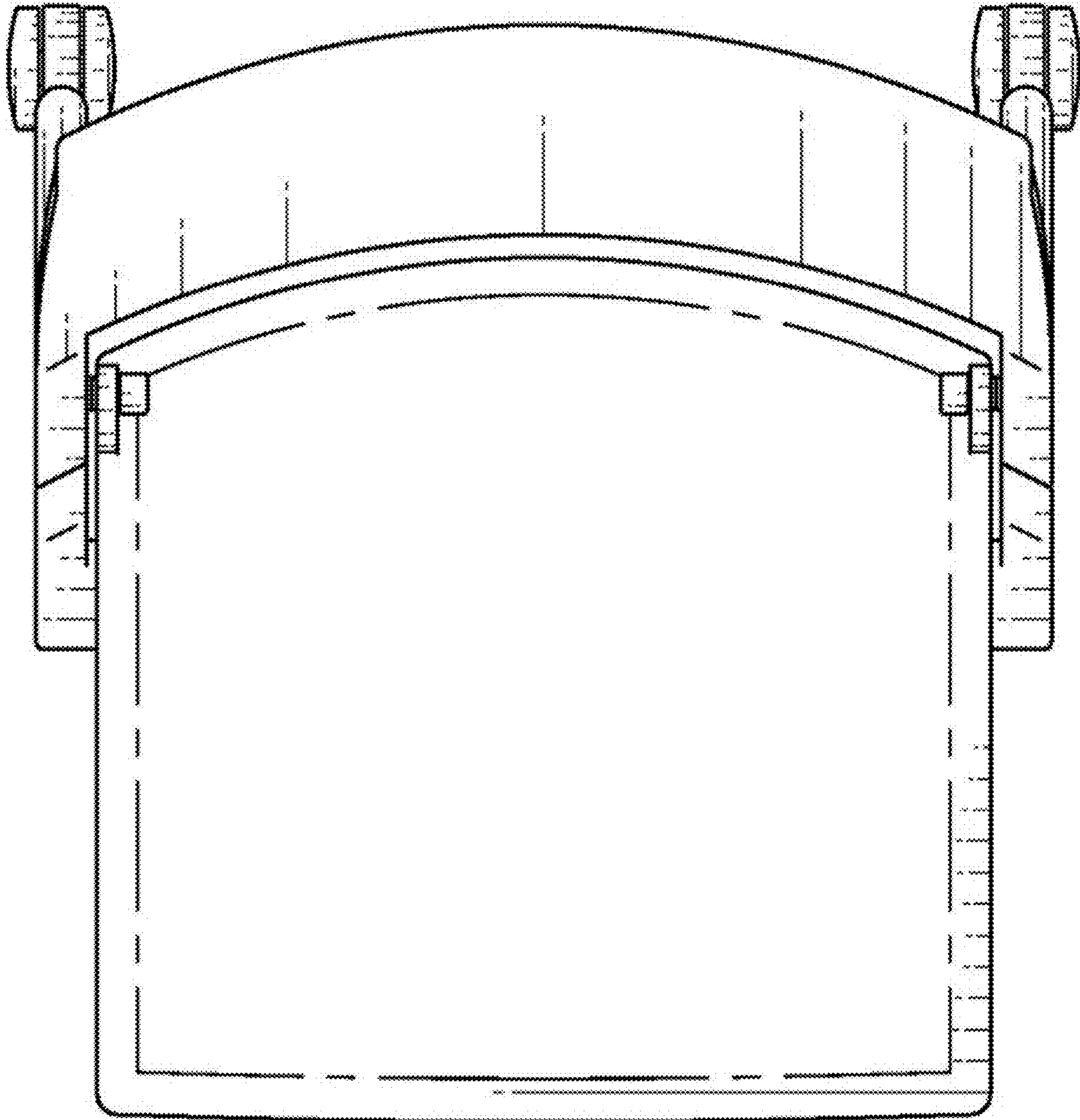
1.2



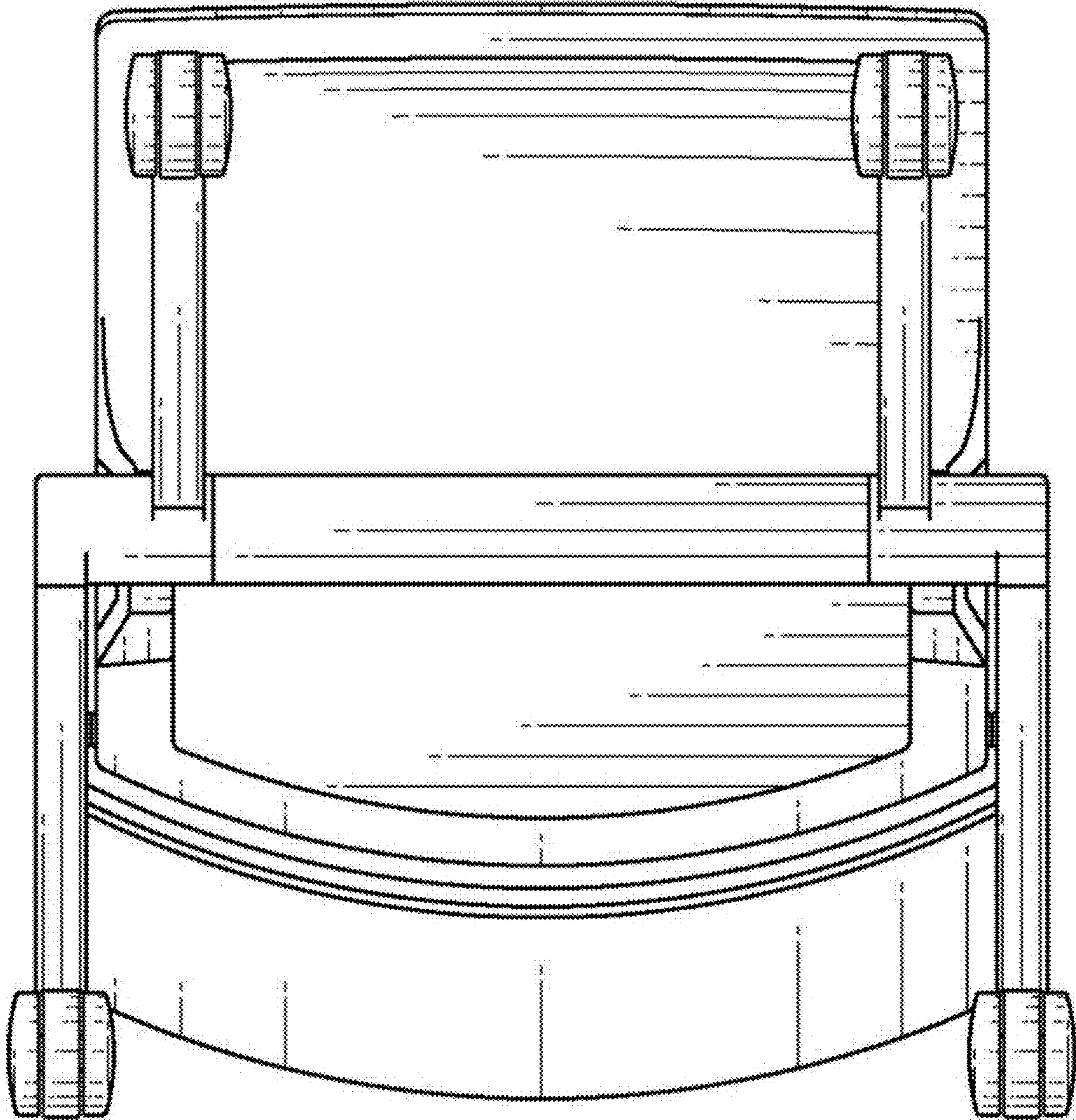
1.3



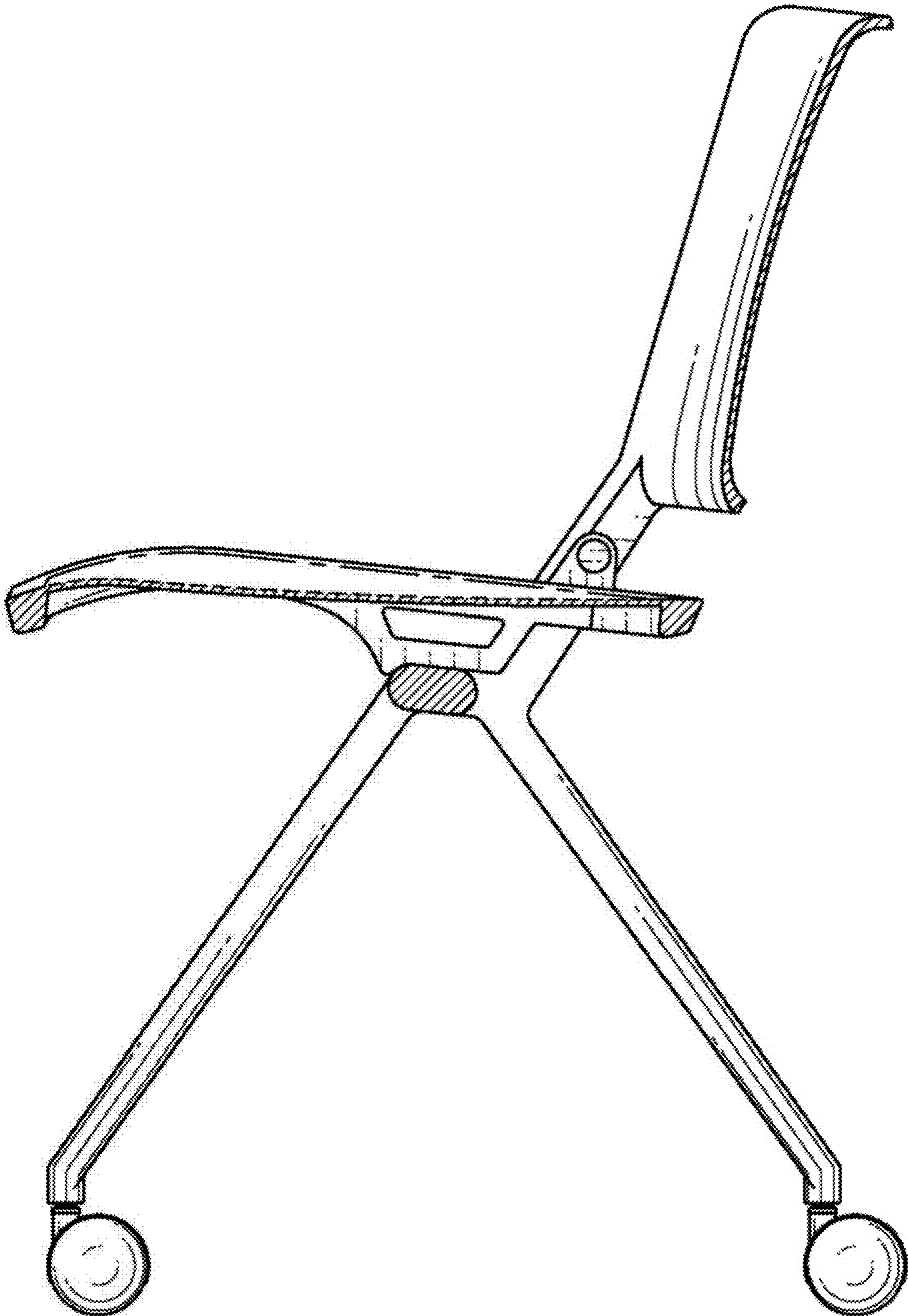
1.4



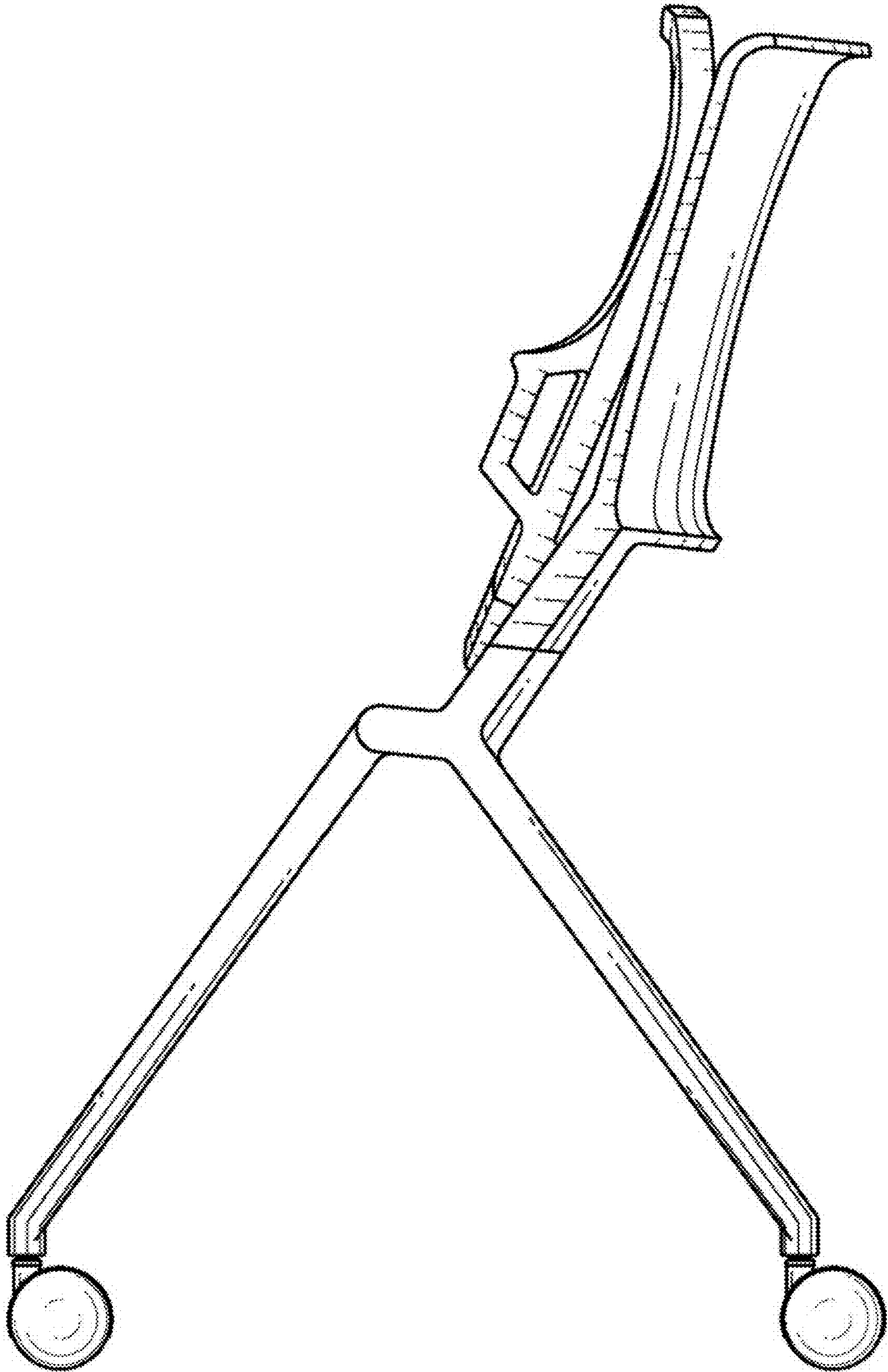
1.5



1.6



1.7



1.8

