



US00D873577S

(12) **United States Design Patent**
Chen et al.

(10) **Patent No.:** **US D873,577 S**
(45) **Date of Patent:** **** Jan. 28, 2020**

- (54) **TATTOO CHAIR**
- (71) Applicant: **ImportLA, LLC**, Baldwin Park, CA (US)
- (72) Inventors: **Billy Chen**, Baldwin Park, CA (US);
Adam Miller, Los Angeles, CA (US)
- (73) Assignee: **ImportLA, LLC**, Orange, CA (US)
- (**) Term: **15 Years**
- (21) Appl. No.: **29/638,093**
- (22) Filed: **Feb. 23, 2018**

- 3,140,892 A * 7/1964 Shubart A47C 1/06
297/80
- 3,934,928 A * 1/1976 Johnson A61G 15/02
297/71
- D379,409 S * 5/1997 Schwaegerle D6/360
- D565,315 S * 4/2008 Nielsen D6/367

(Continued)

Primary Examiner — Michael C Stout
Assistant Examiner — Paul D Bohannon
 (74) *Attorney, Agent, or Firm* — Hankin Patent Law,
 APC; Marc E. Hankin; Kevin Schraven

(57) **CLAIM**

The ornamental design for the tattoo chair, as shown and described.

Related U.S. Application Data

- (63) Continuation-in-part of application No. 29/569,864, filed on Jun. 30, 2016, now abandoned.
 - (51) **LOC (12) Cl.** **06-01**
 - (52) **U.S. Cl.**
USPC **D6/367**
 - (58) **Field of Classification Search**
USPC D6/335, 360, 364, 367, 716.4
CPC A45D 44/02; A47C 1/0242; A47C 1/029;
A47C 1/04; A47C 1/06; A47C 1/11;
A47C 13/00; A47C 17/04; A47C 7/004;
A47C 7/40; A47C 7/506; A61G 13/12;
A61G 13/1225; A61G 15/02; A61G
15/12; A61G 2200/34; B64D 11/0647;
B64D 11/064; B64D 11/06
- See application file for complete search history.

DESCRIPTION

FIG. 1 is a front perspective exploded view of a tattoo chair showing our new design in an upright configuration.
 FIG. 2 is a rear perspective view thereof without the front head rest attachment shown.
 FIG. 3 is a rear elevational view thereof.
 FIG. 4 is a front elevational view thereof.
 FIG. 5 is a right side elevational view thereof.
 FIG. 6 is a left side elevational view thereof.
 FIG. 7 is a top plan view thereof.
 FIG. 8 is a bottom plan view thereof.
 FIG. 9 is a front perspective view of a tattoo chair showing our new design in reclined configuration.
 FIG. 10 is a rear perspective view of FIG. 9.
 FIG. 11 is a rear elevational view of FIG. 9.
 FIG. 12 is a front elevational view of FIG. 9.
 FIG. 13 is a right side elevational view of FIG. 9.
 FIG. 14 is a left side elevational view of FIG. 9.
 FIG. 15 is a top plan view of FIG. 9; and,
 FIG. 16 is a bottom plan view of FIG. 9.

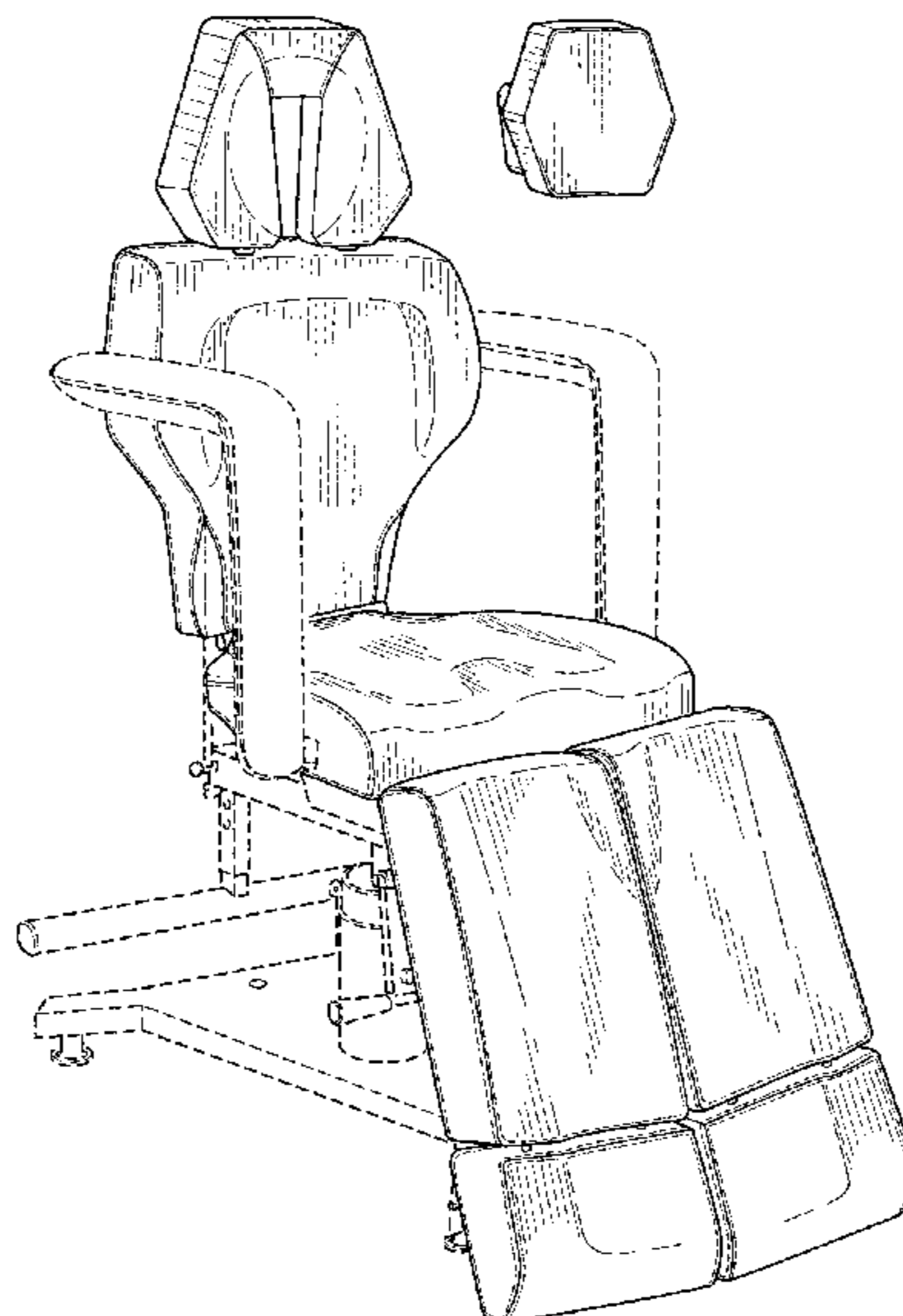
The broken lines showing structural support and removable armrests are for the purpose of illustrating environmental structure and form no part of the claimed design.

1 Claim, 13 Drawing Sheets

(56) **References Cited**

U.S. PATENT DOCUMENTS

- 1,168,071 A * 1/1916 Holzbaaur A47C 1/06
297/80
- D179,969 S * 4/1957 Fidel D6/360
- 3,131,967 A * 5/1964 Spaulding A47C 7/74
297/180.14



(56)

References Cited

U.S. PATENT DOCUMENTS

D609,483 S * 2/2010 Chen D6/367
D613,534 S * 4/2010 Nordstrom A61G 13/12
D6/367
7,735,922 B2 * 6/2010 Frey B64D 11/06
297/284.11
D650,603 S * 12/2011 Petruccelli D6/364
D651,423 S * 1/2012 Petruccelli D6/364
D678,686 S * 3/2013 Mizuno D6/335
8,465,091 B2 * 6/2013 Su A47C 17/04
297/108
9,597,243 B1 * 3/2017 Helmick A61G 15/02
9,649,239 B2 * 5/2017 Reyes A61G 13/06
10,292,501 B1 * 5/2019 Brown A47C 1/04
D852,531 S * 7/2019 Morgan D6/367

* cited by examiner

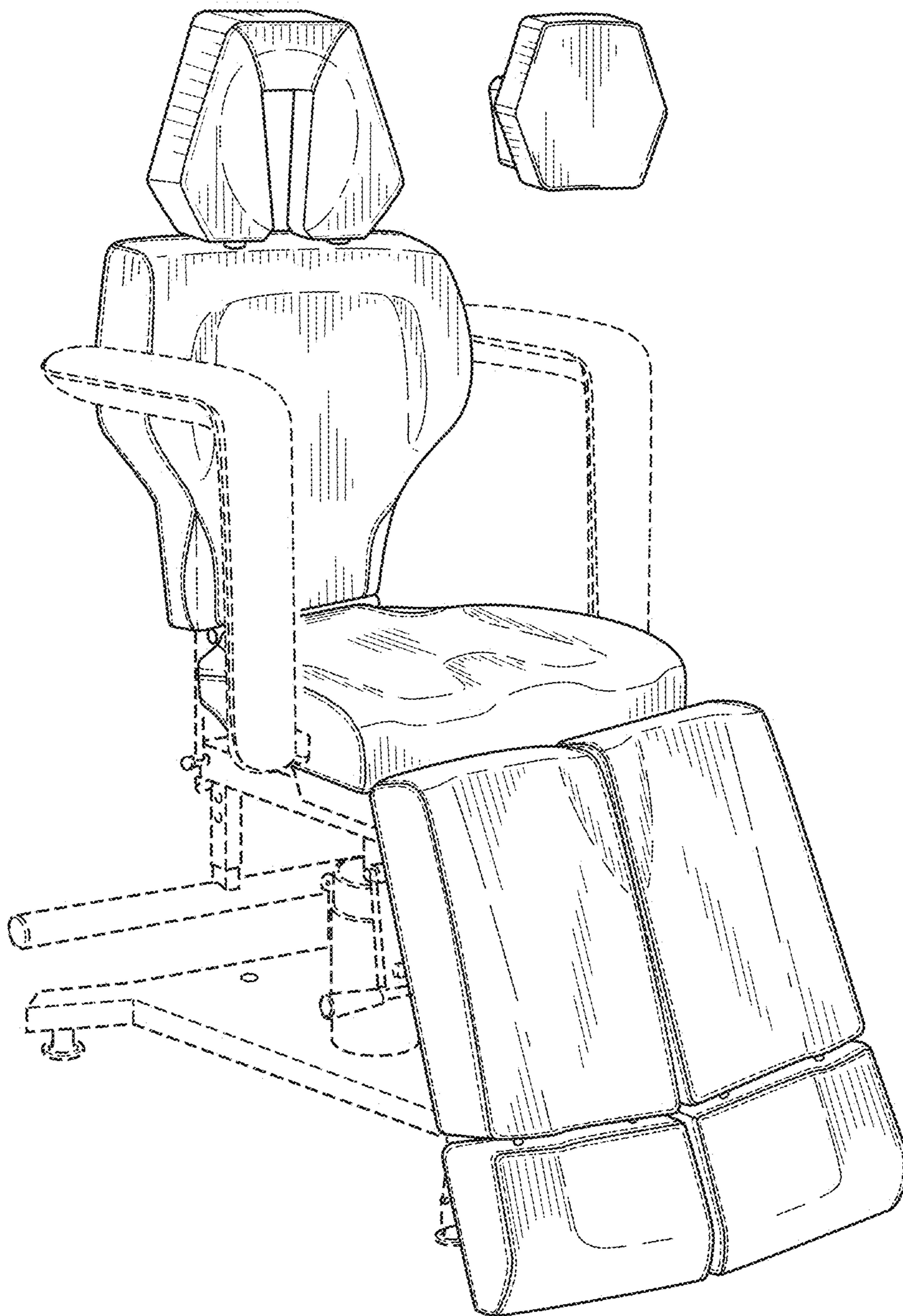


Fig. 1

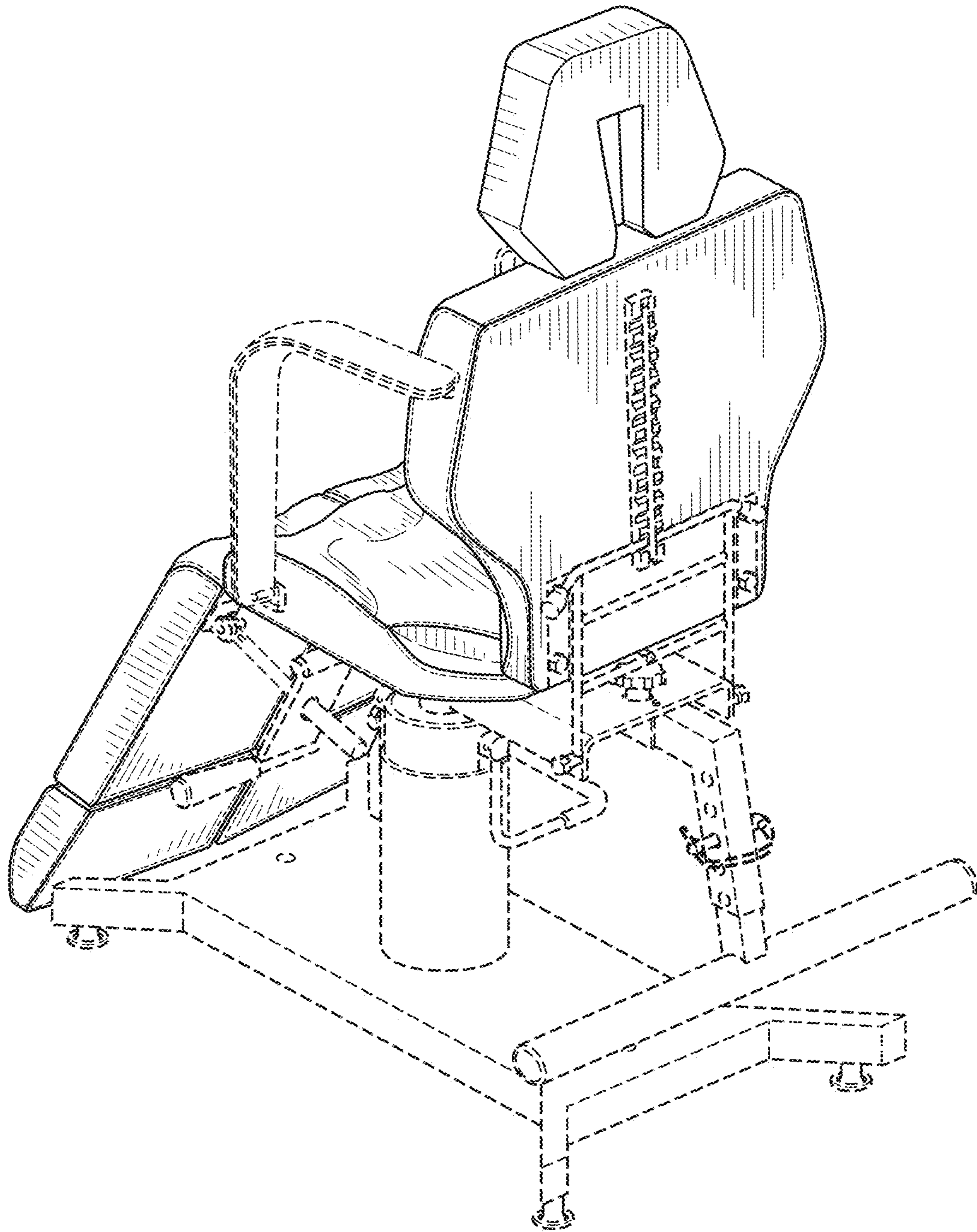


Fig.2

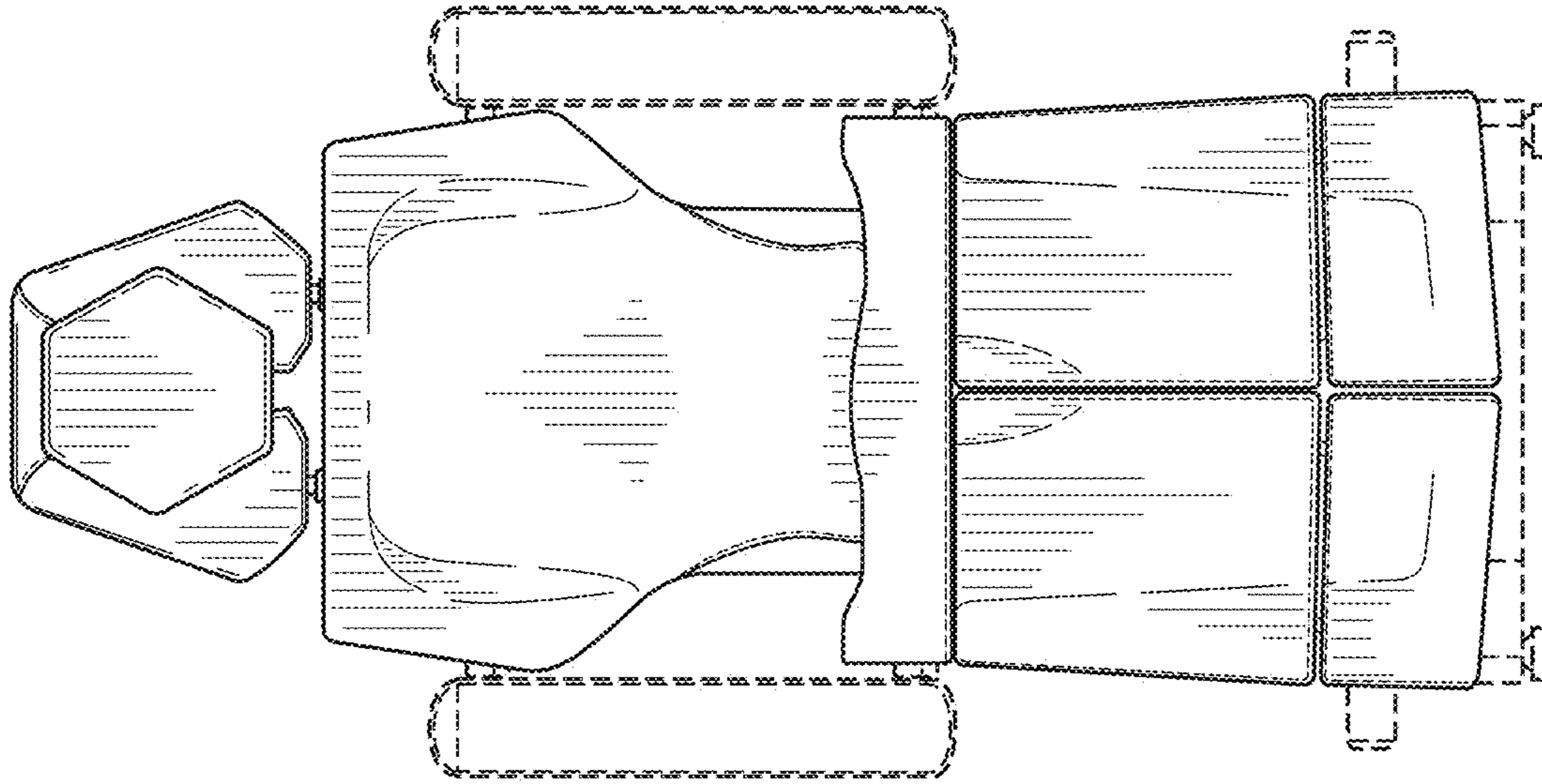


Fig. 4

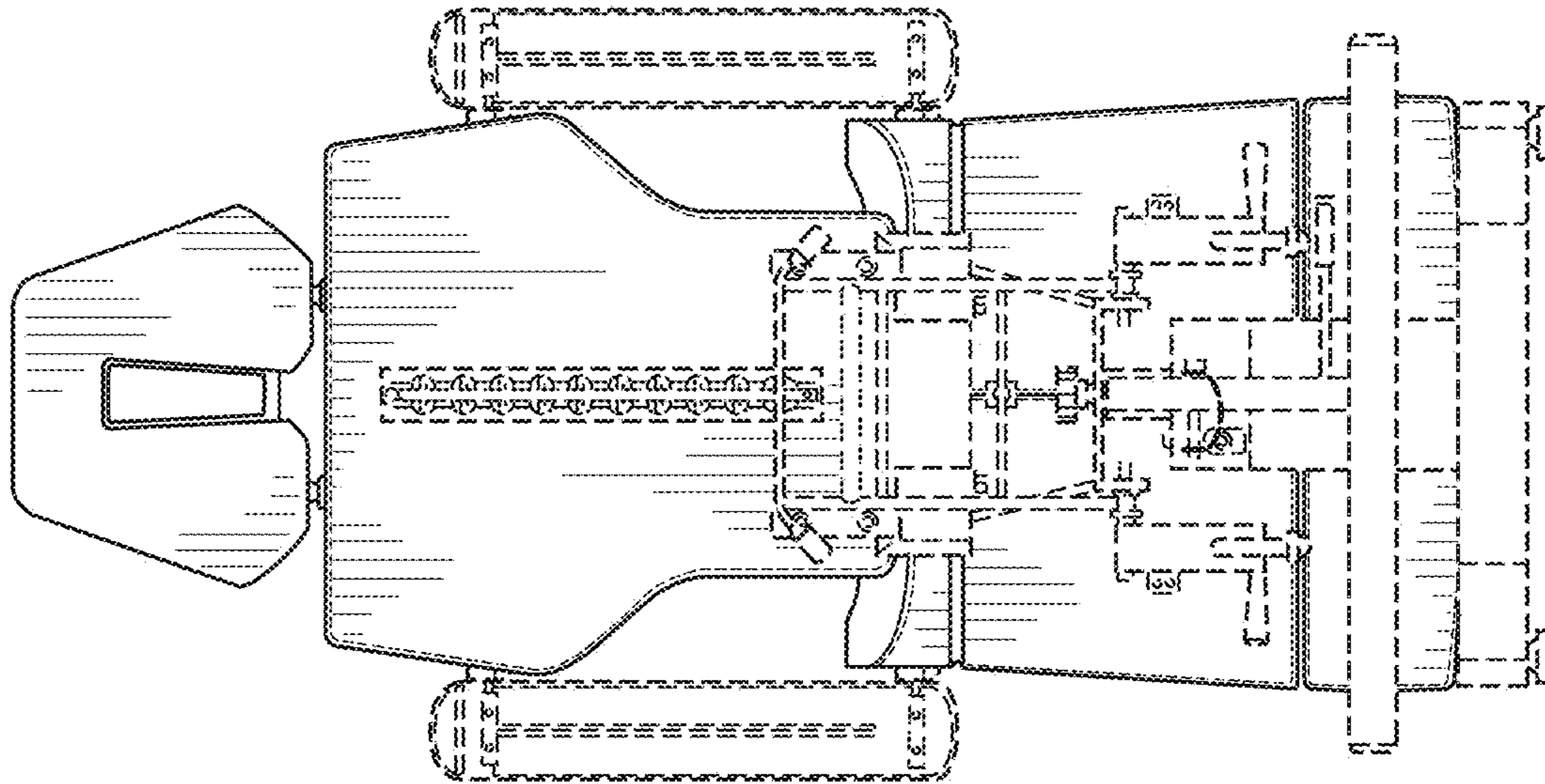


Fig. 3

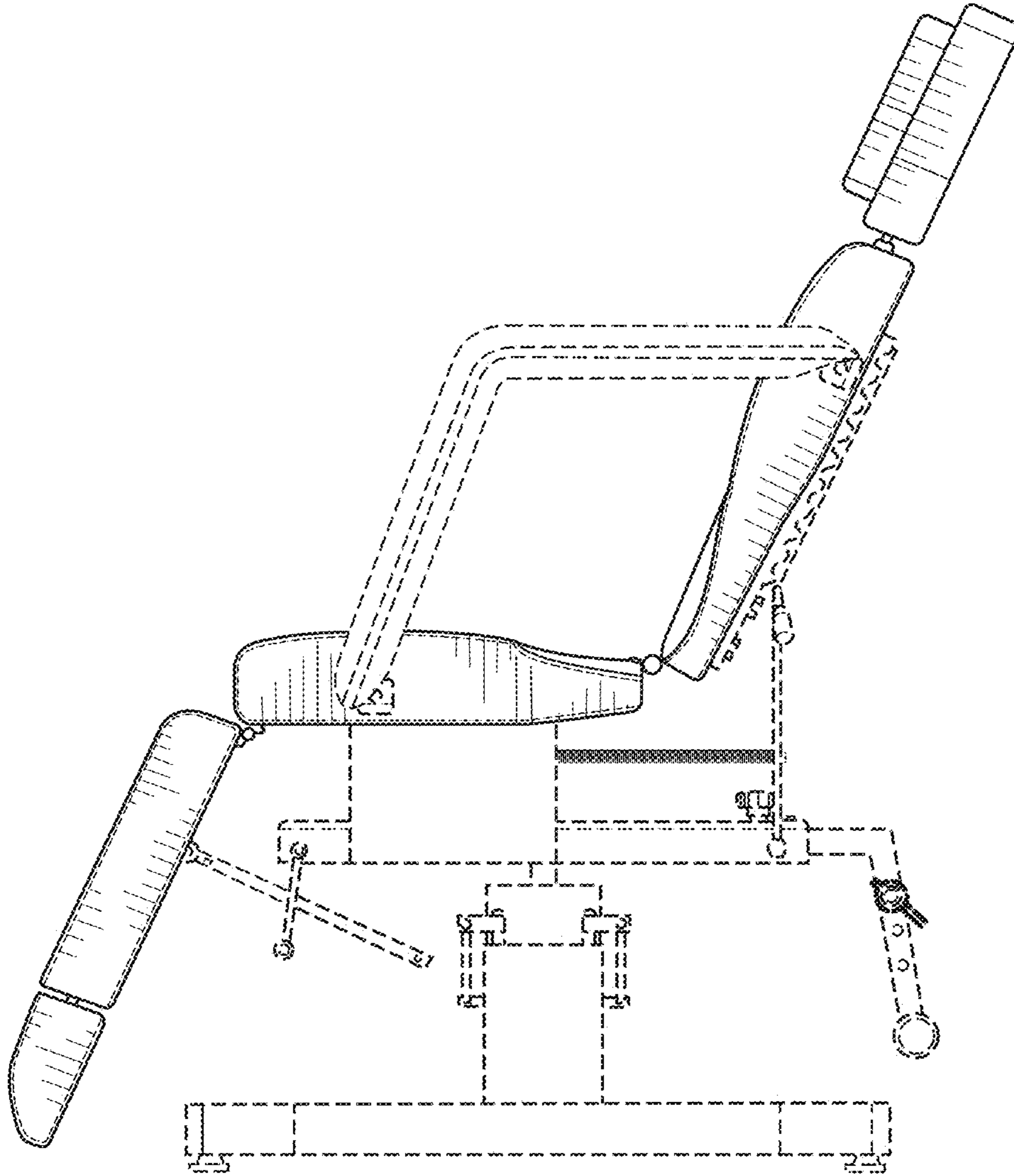


Fig.5

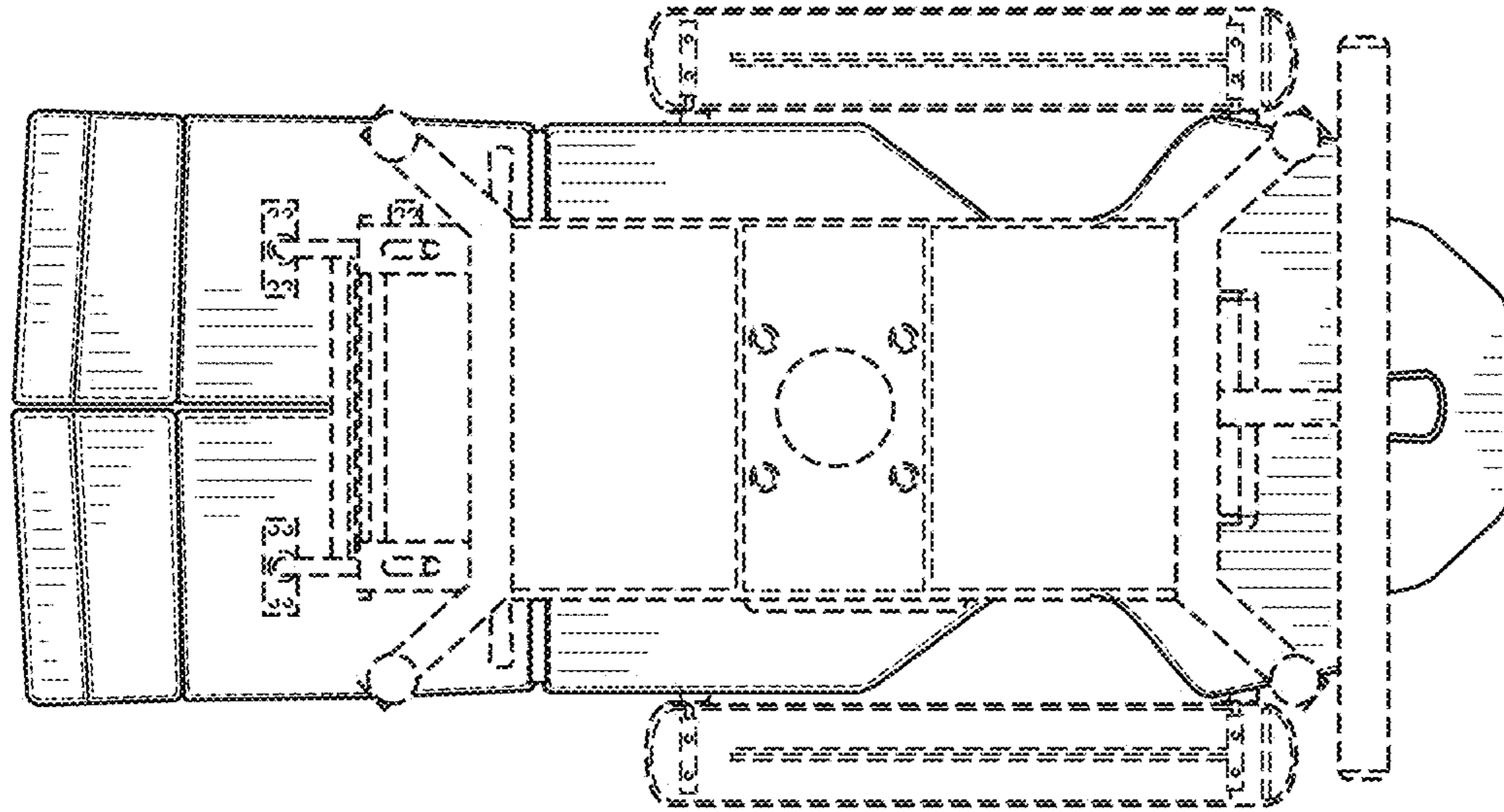


Fig. 7

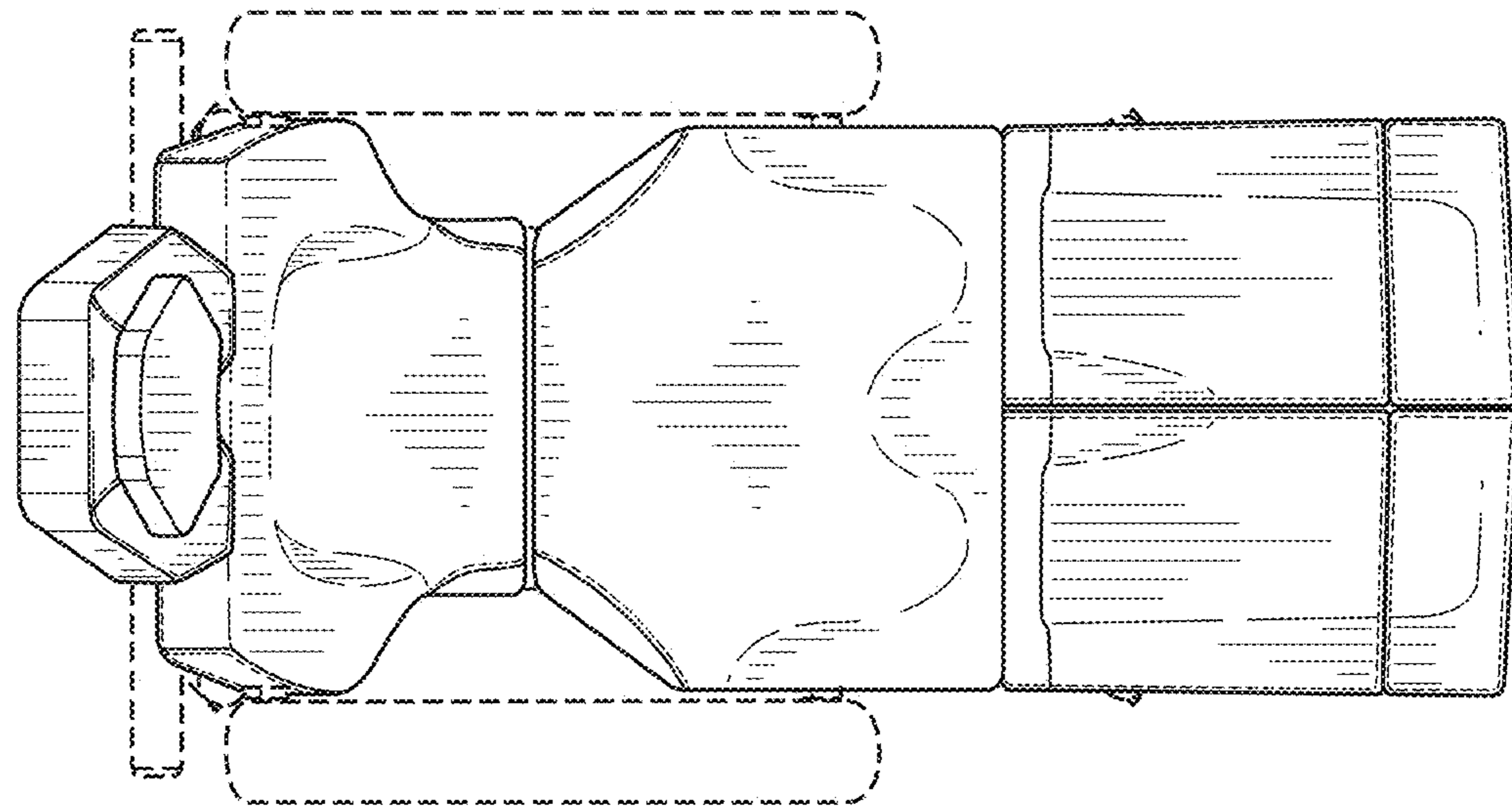


Fig. 8

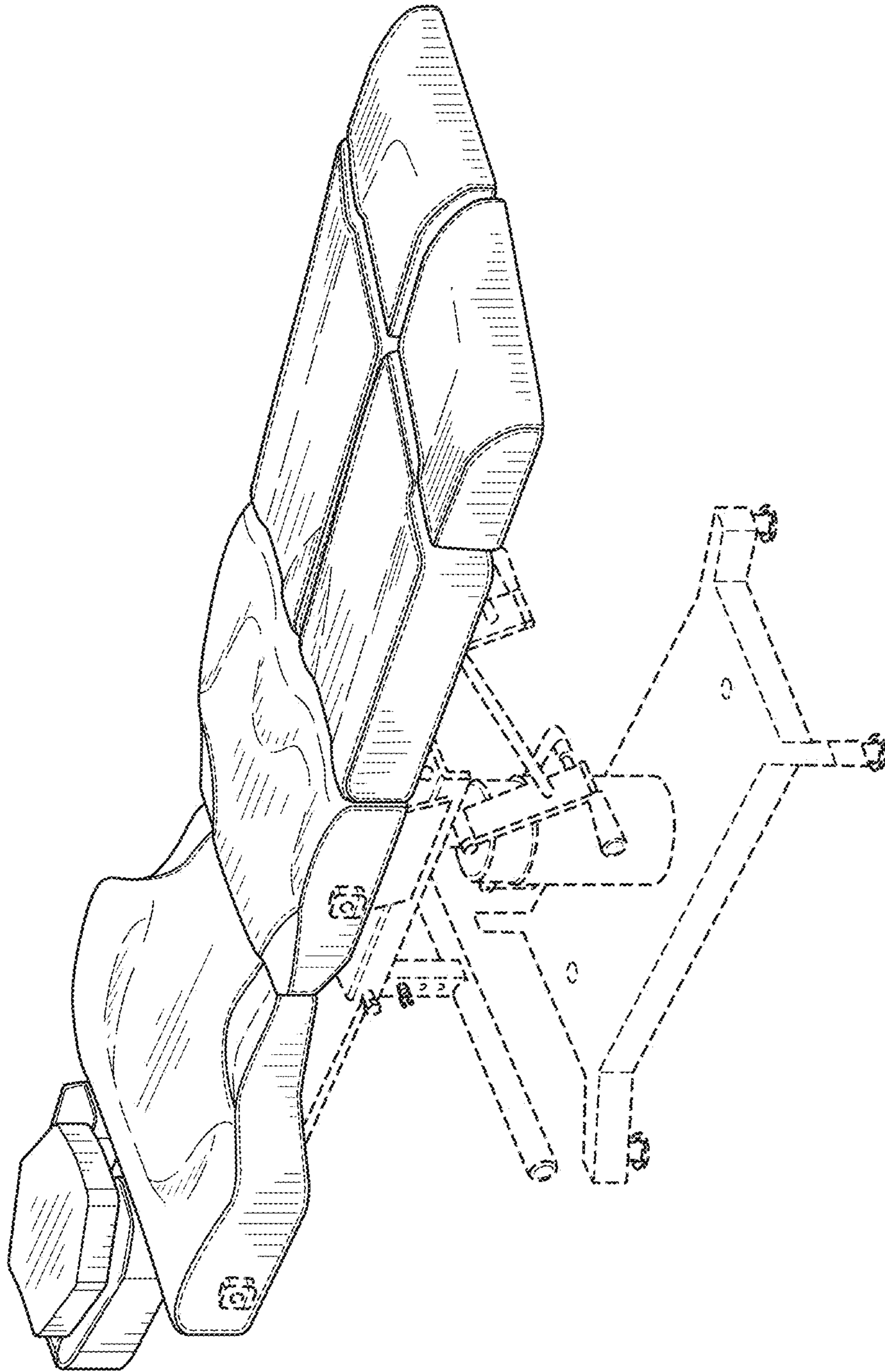


Fig.9

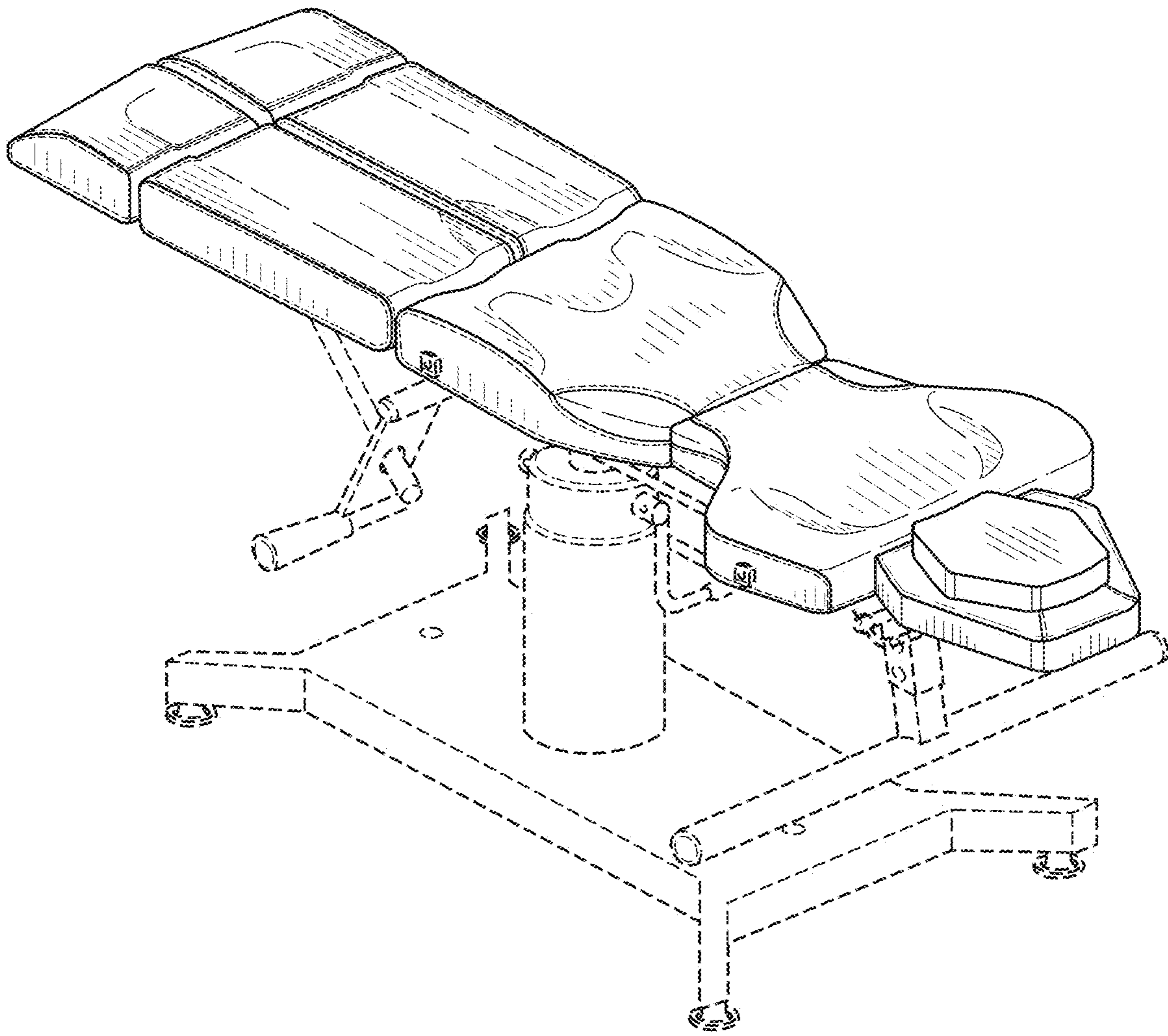


Fig. 10

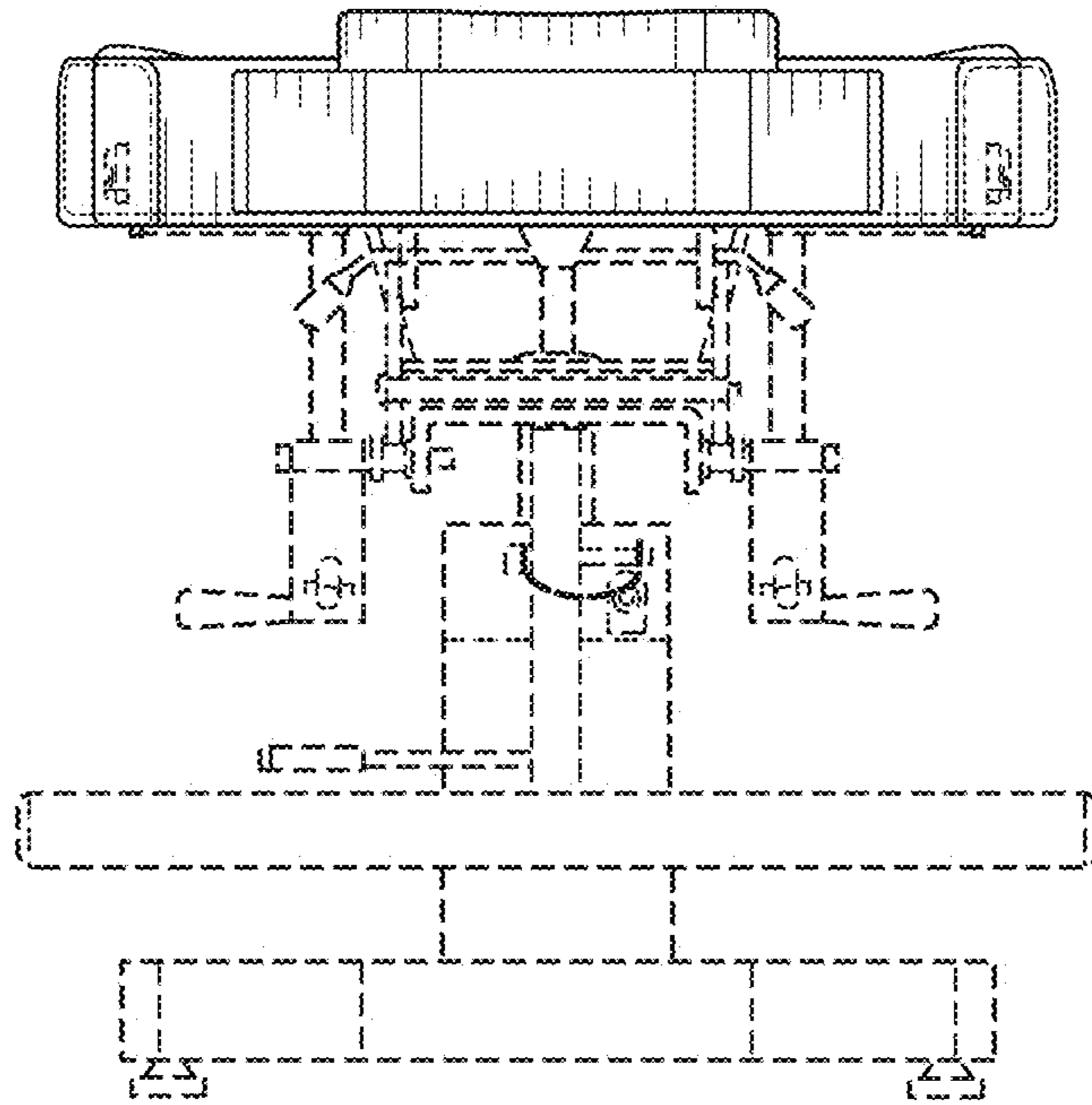


Fig. 11

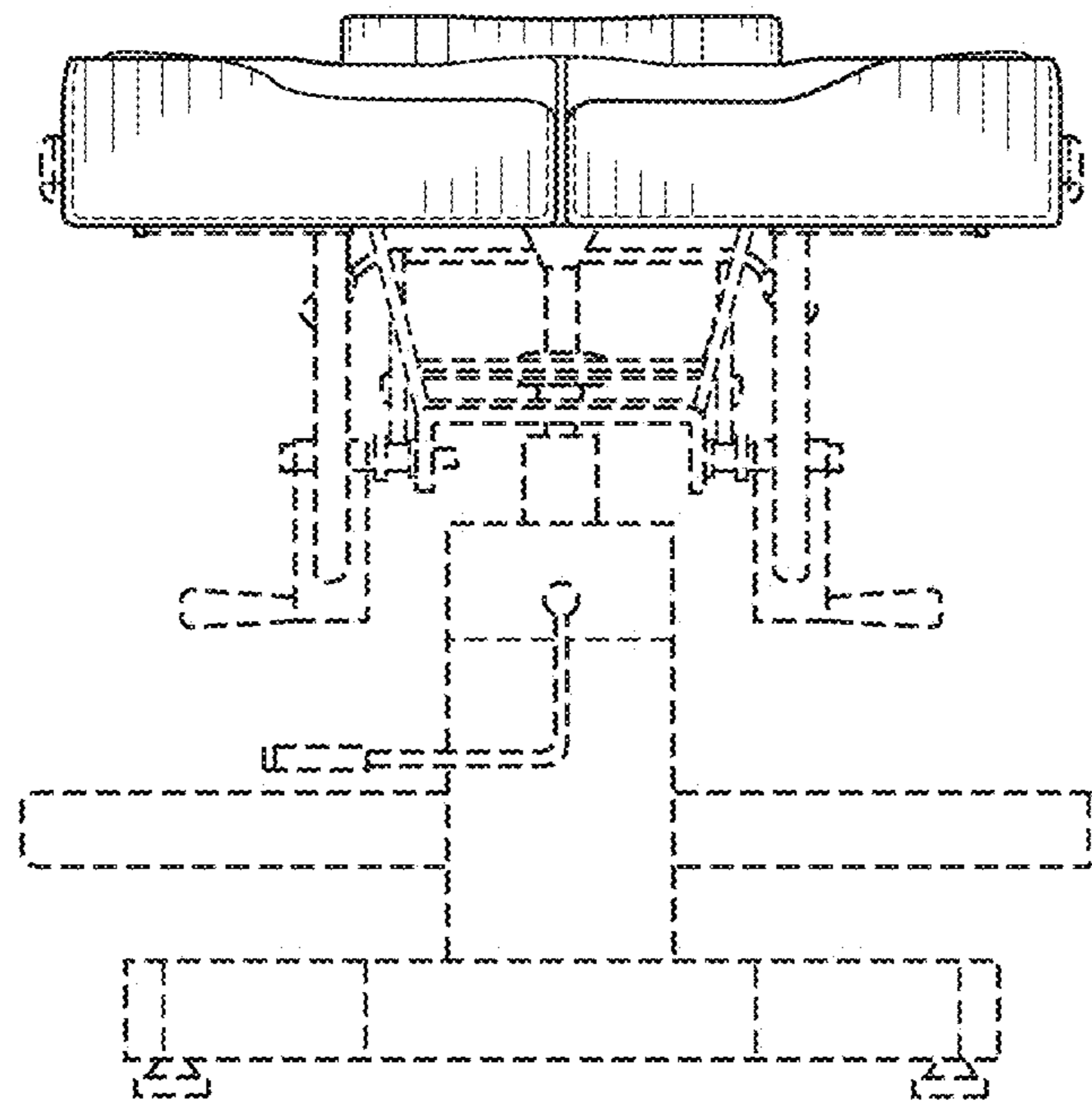


Fig. 12

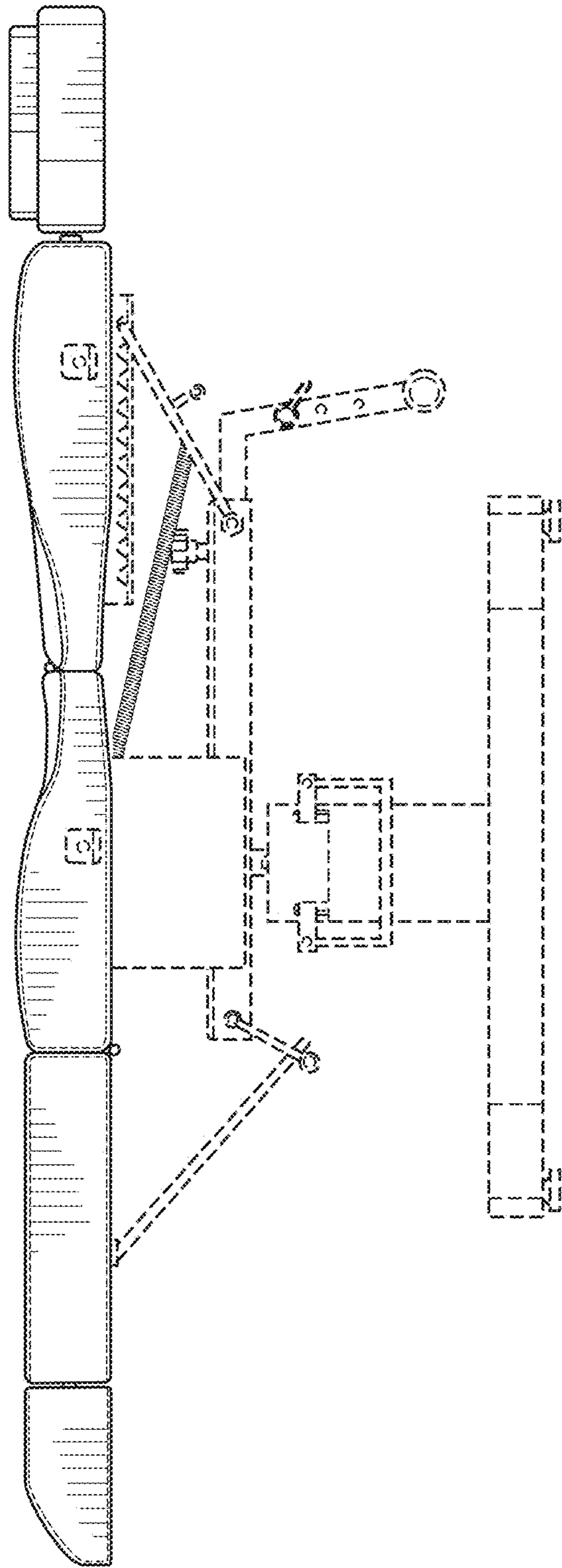


Fig. 13

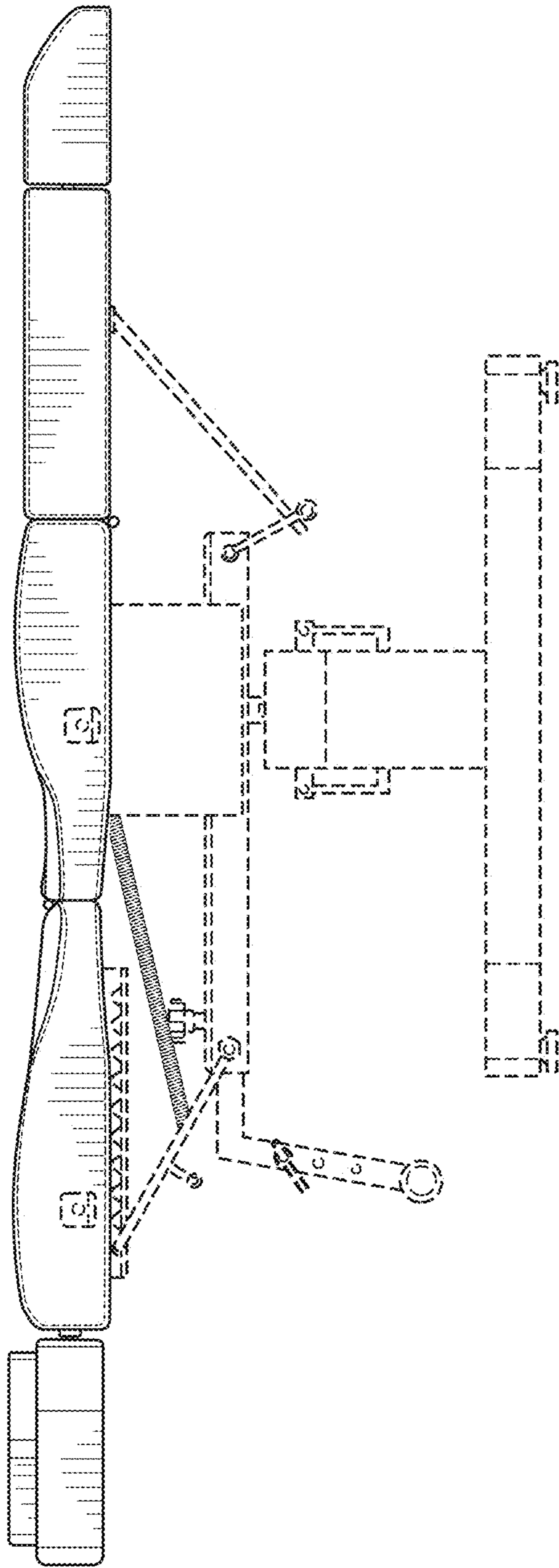


Fig.14

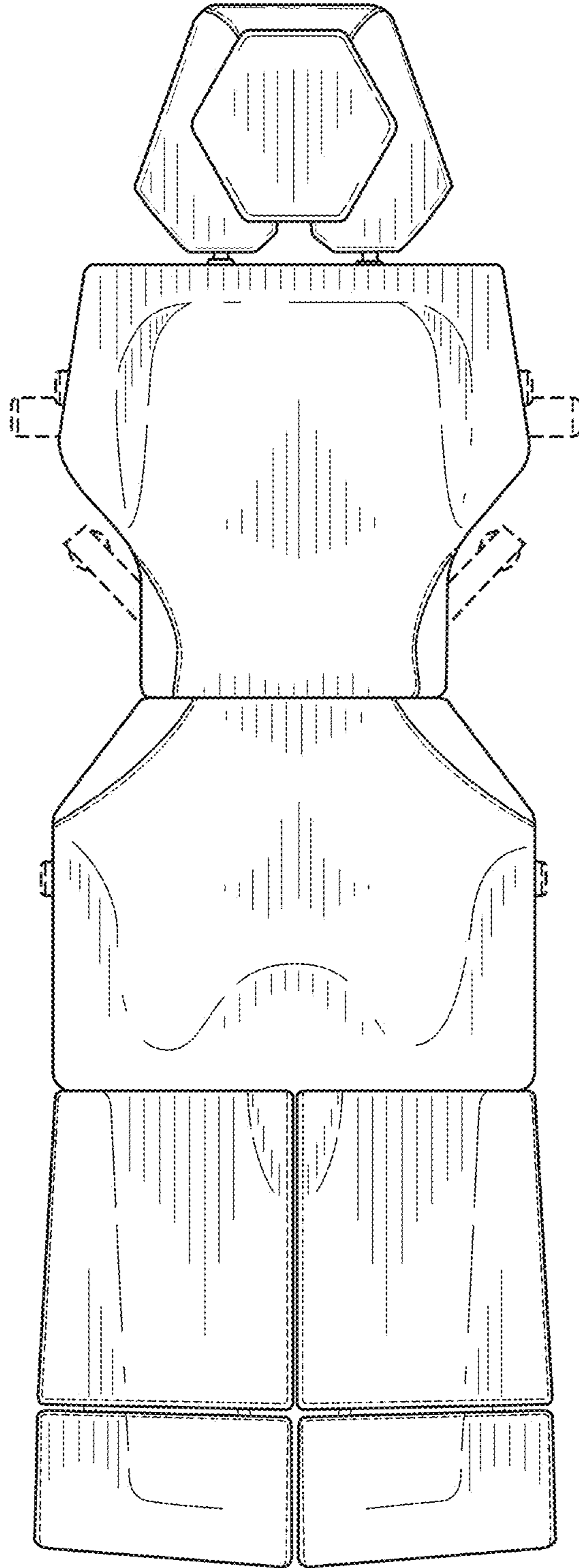


Fig.15

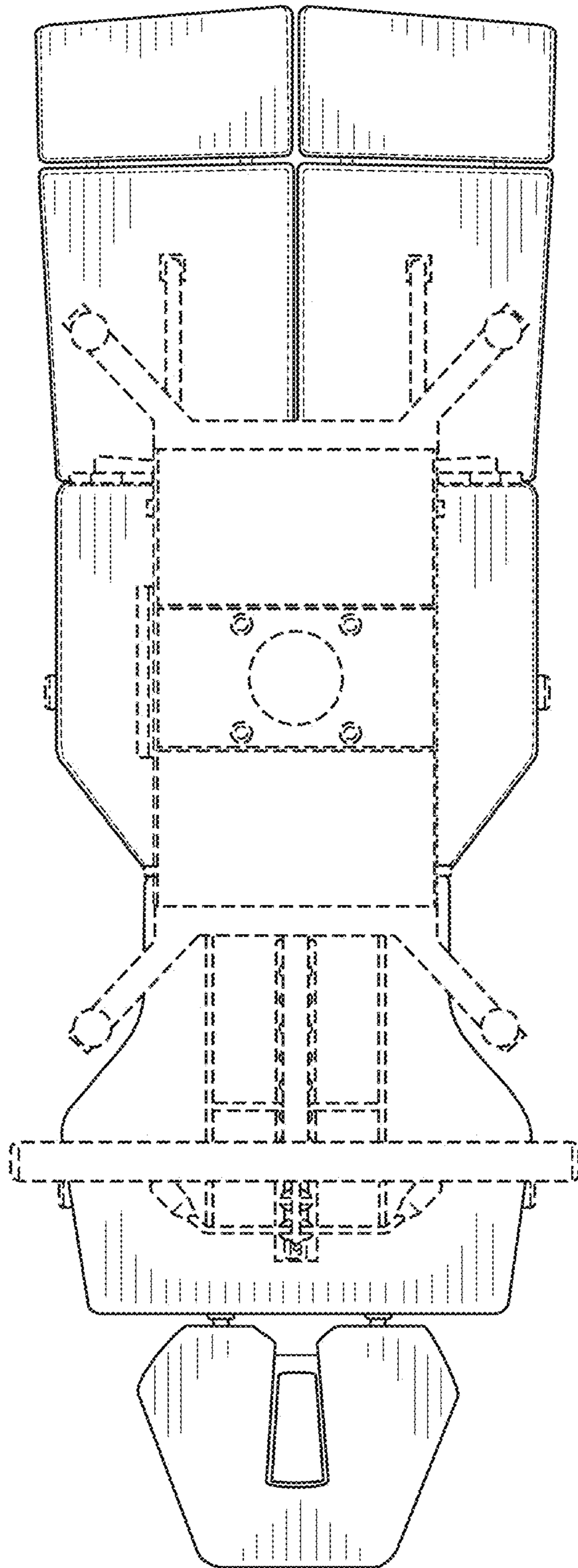


Fig. 16