



US00D873576S

(12) **United States Design Patent**
Engelhardt

(10) **Patent No.:** **US D873,576 S**

(45) **Date of Patent:** **** Jan. 28, 2020**

(54) **OFFICE CHAIR**

(71) Applicant: **Dauphin Entwicklungs- u. Beteiligungs-GmbH**, Hersbruck (DE)

(72) Inventor: **Jessica Engelhardt**, Nürnberg (DE)

(73) Assignee: **Dauphin Entwicklungs- u. Beteiligungs-GmbH**, Hersbruck (DE)

(**) Term: **15 Years**

(21) Appl. No.: **29/601,236**

(22) Filed: **Apr. 20, 2017**

(30) **Foreign Application Priority Data**

Oct. 21, 2016 (DE) 40 2016 101 301

(51) **LOC (12) Cl.** **06-01**

(52) **U.S. Cl.**
USPC **D6/366**

(58) **Field of Classification Search**
USPC D6/334-336, 364, 365, 366, 374, 379,
D6/716, 716.1, 716.2, 716.4
CPC A47C 4/028; A47C 7/004; A47C 7/18;
A47C 7/38; A47C 7/40; A47C 7/46;
A47C 7/54; B60N 2/66
See application file for complete search history.

(56) **References Cited**

U.S. PATENT DOCUMENTS

D301,662 S * 6/1989 Vonhausen D6/366
D312,176 S * 11/1990 Heidmann D6/366

D445,580 S * 7/2001 Pennington D6/366
D597,330 S * 8/2009 Neil D6/366
D665,592 S * 8/2012 Citterio D6/366
D704,487 S * 5/2014 Smith D6/366
D763,587 S * 8/2016 Neil D6/366
D792,120 S * 7/2017 Webb D6/366
D801,718 S * 11/2017 Barber D6/366
D801,741 S * 11/2017 Zhu D6/716
D802,314 S * 11/2017 Barber D6/366
D816,363 S * 5/2018 Su D6/366

* cited by examiner

Primary Examiner — Mimoso De

(74) *Attorney, Agent, or Firm* — McGlew and Tuttle, P.C.

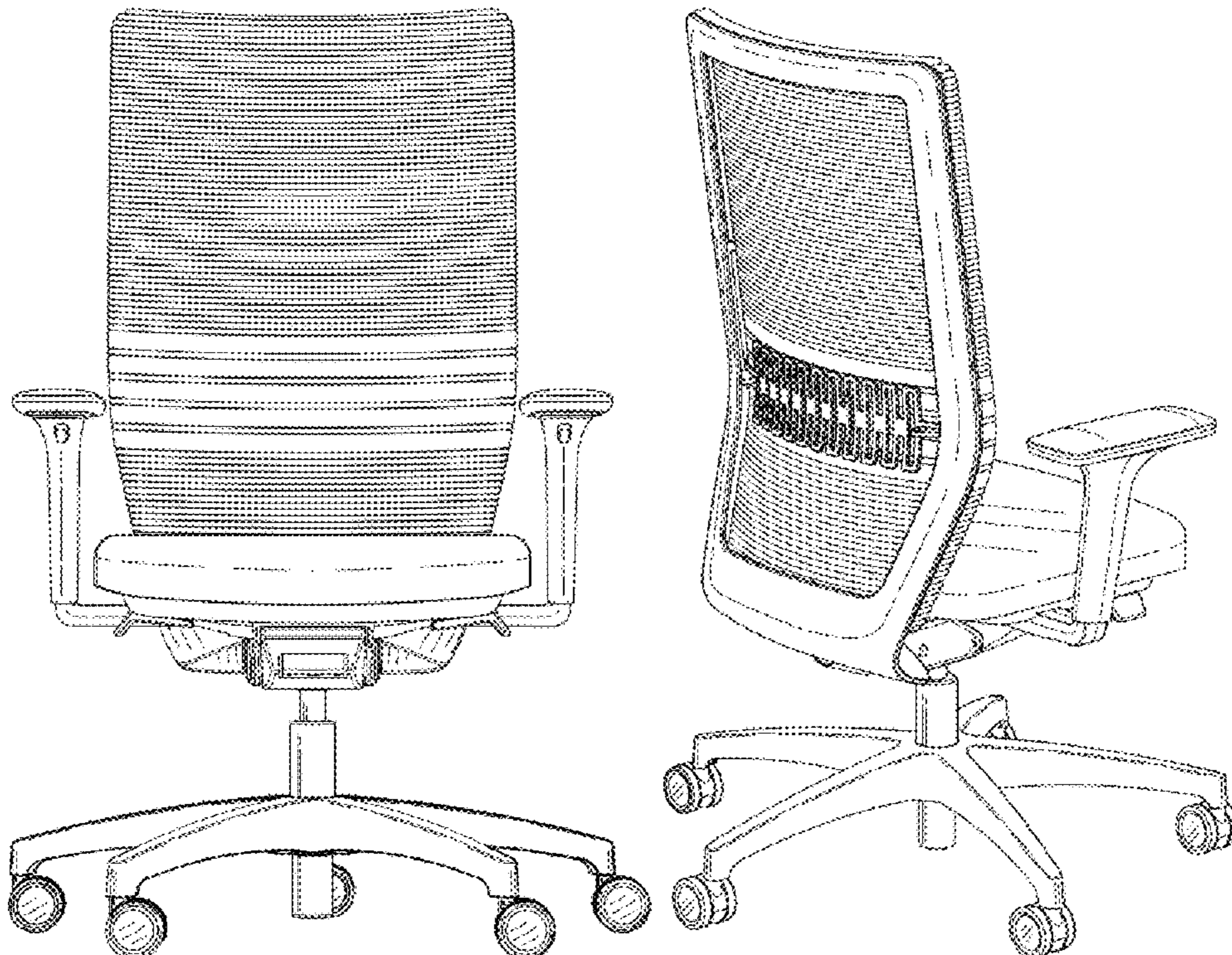
(57) **CLAIM**

The ornamental design for an office chair, as shown and described.

DESCRIPTION

FIG. 1 is a front view of an office chair, showing my new design;
FIG. 2 is a rear view thereof;
FIG. 3 is a top view thereof;
FIG. 4 is a bottom view thereof;
FIG. 5 is a lateral view (right side) thereof;
FIG. 6 is a lateral view (left side) thereof; and,
FIG. 7 is a perspective view thereof.
The broken lines shown in the figures form no part of the claimed design.

1 Claim, 7 Drawing Sheets



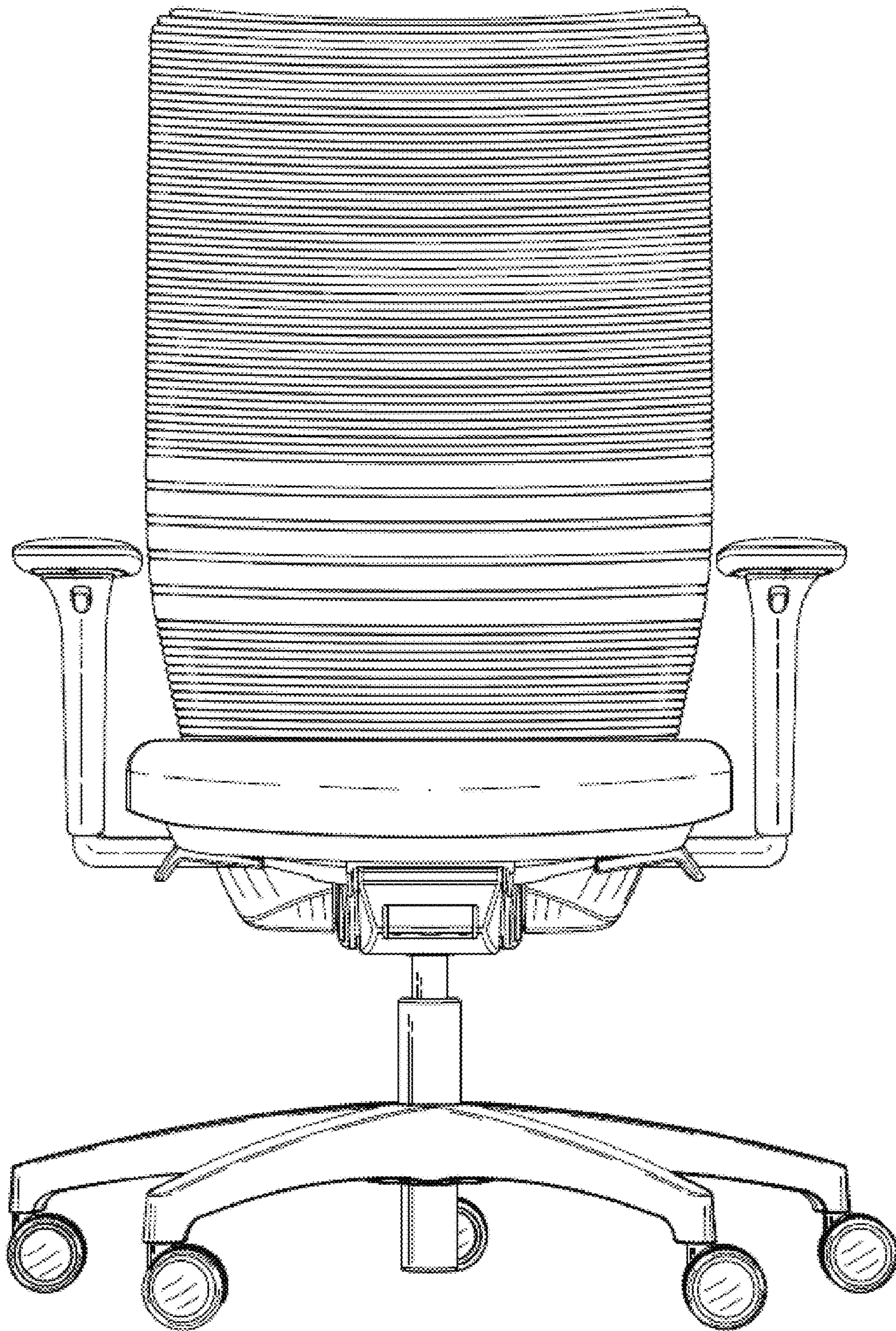


Fig. 1

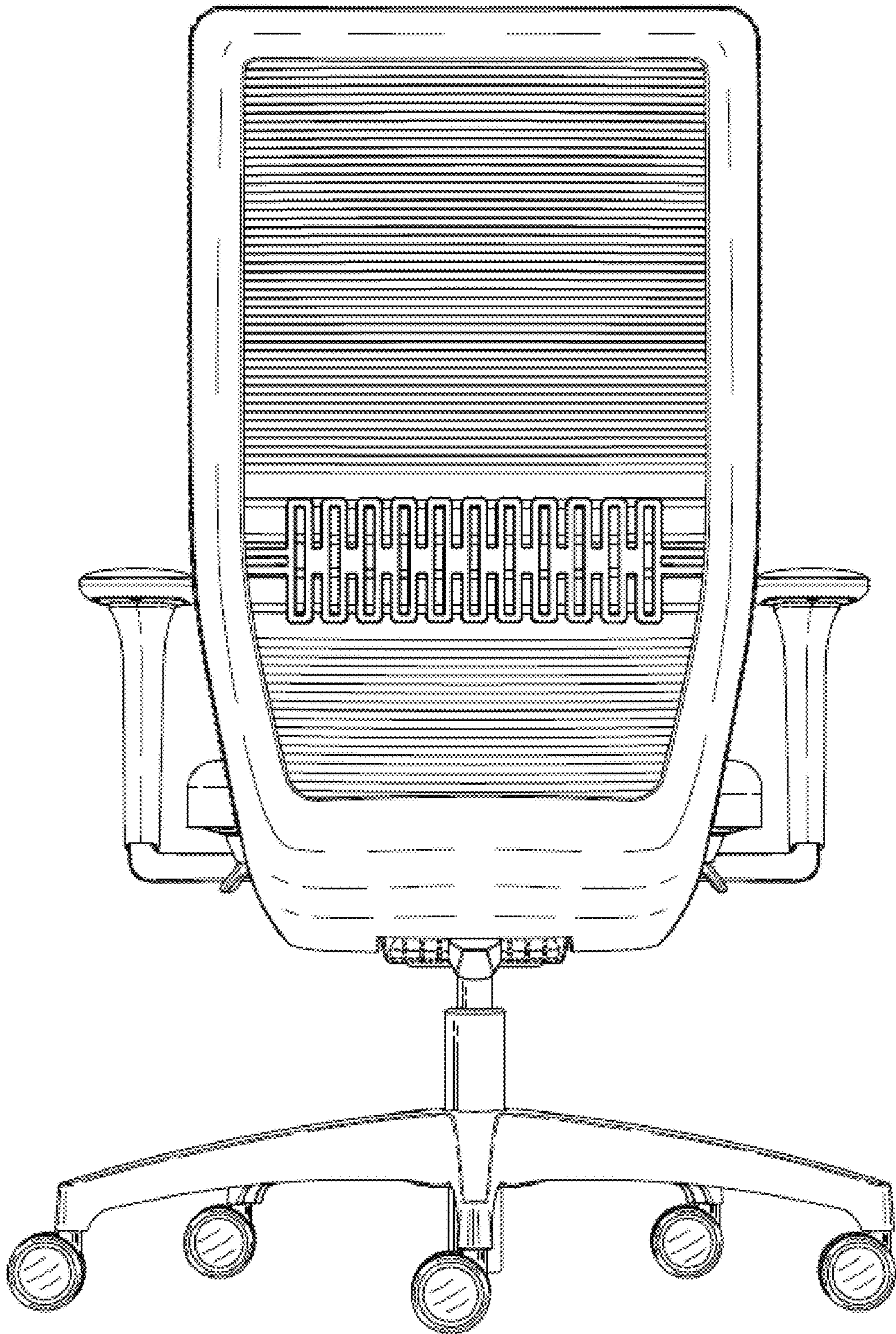


Fig. 2

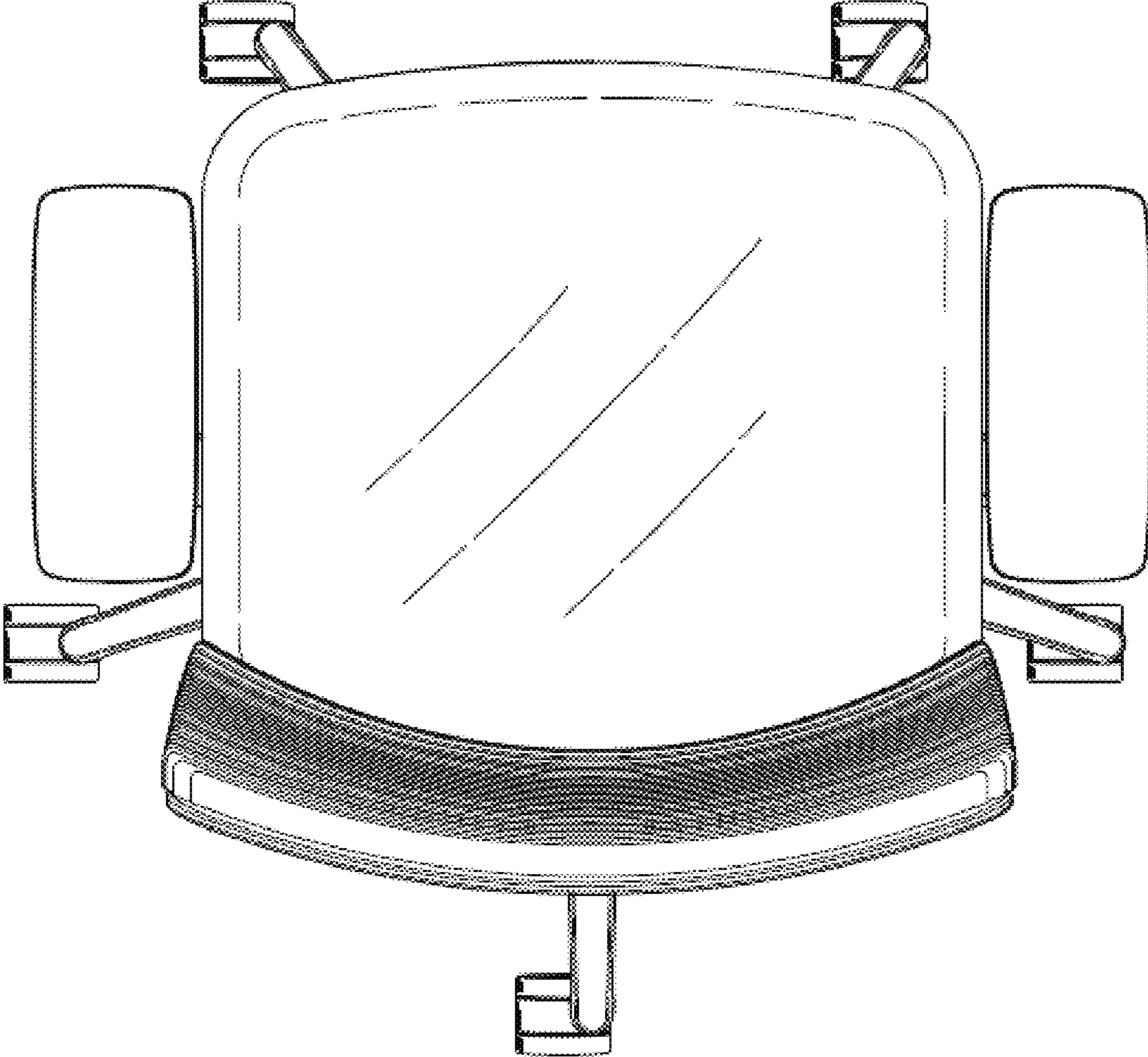


Fig. 3

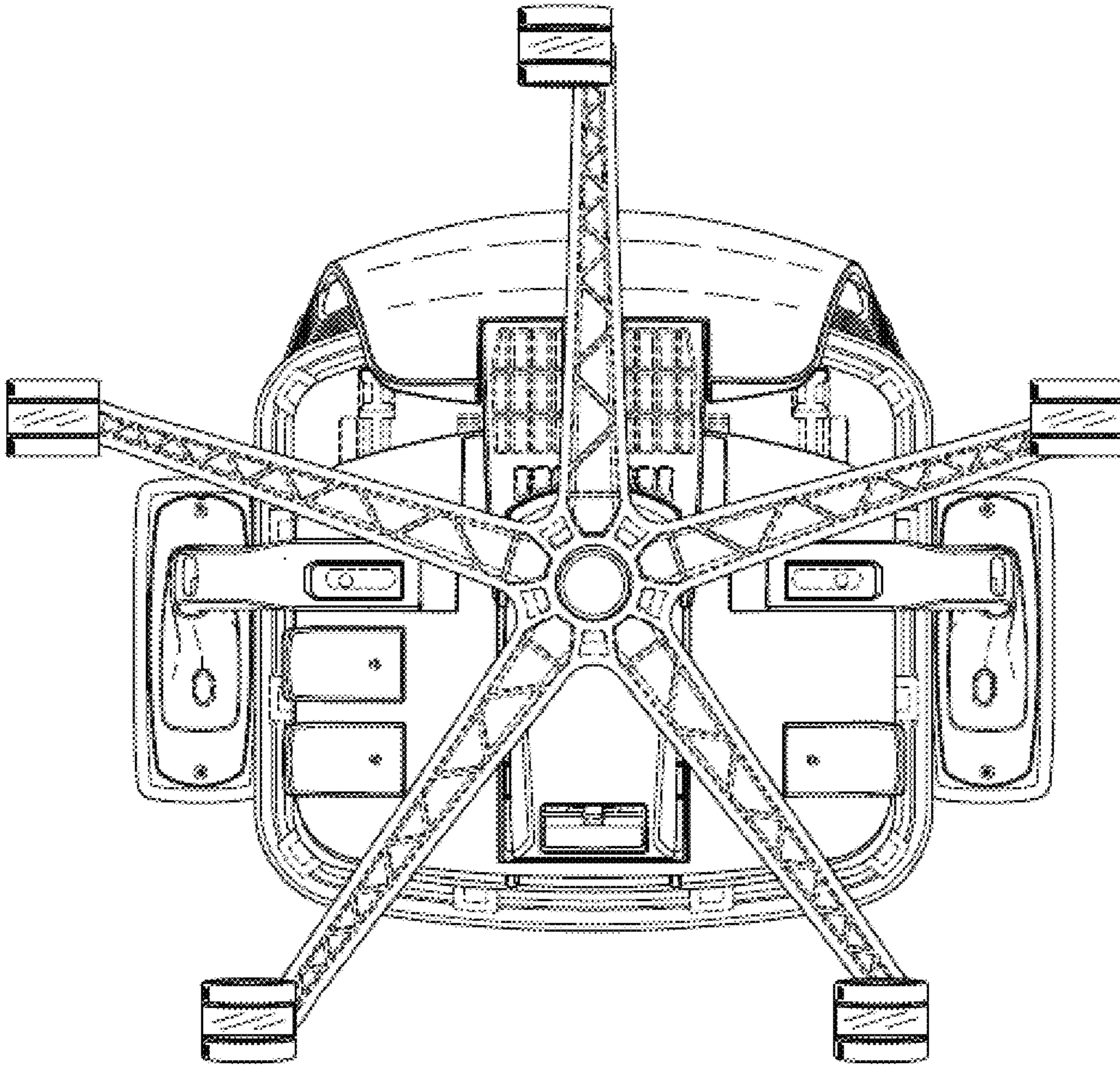


Fig. 4

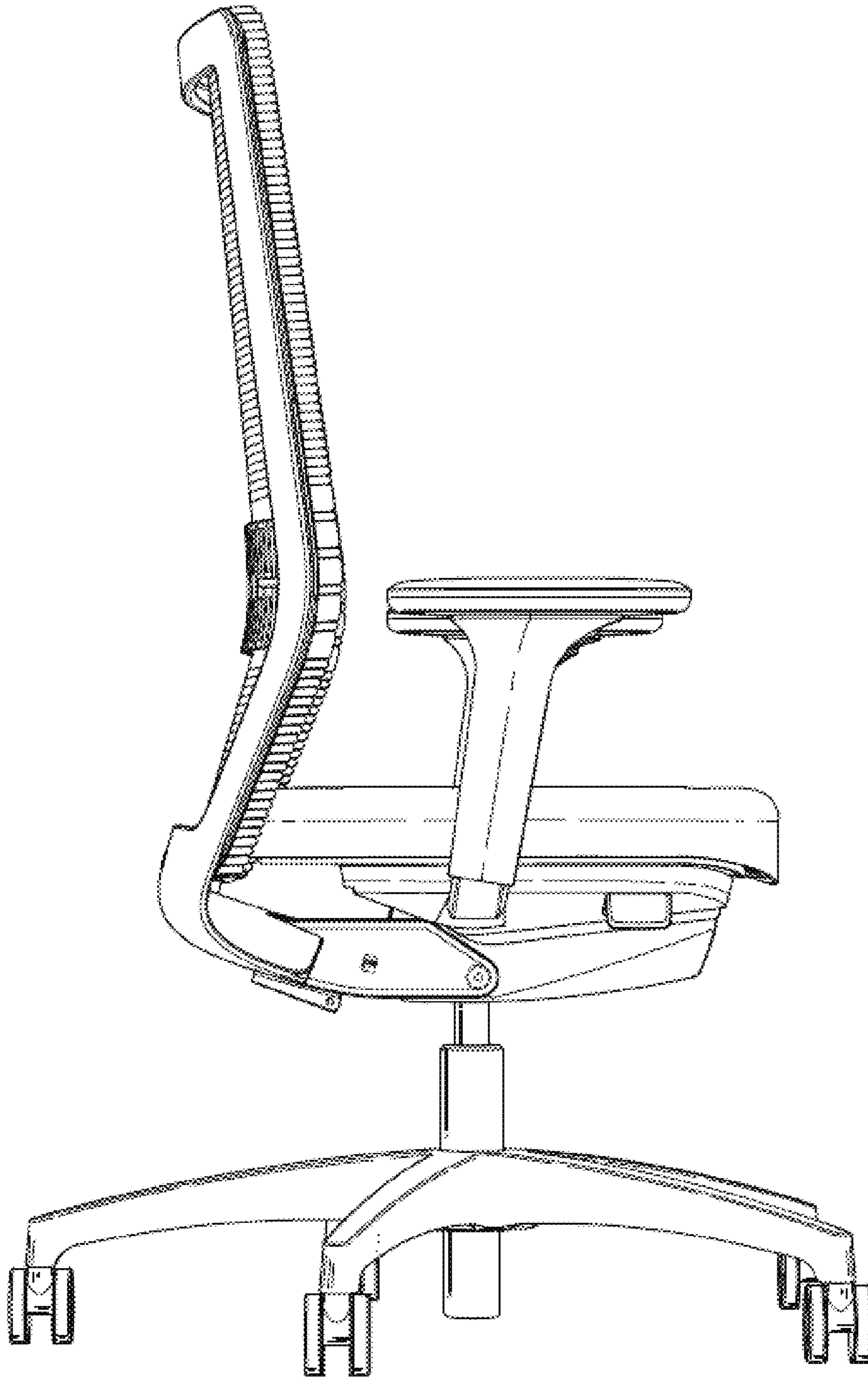


Fig. 5

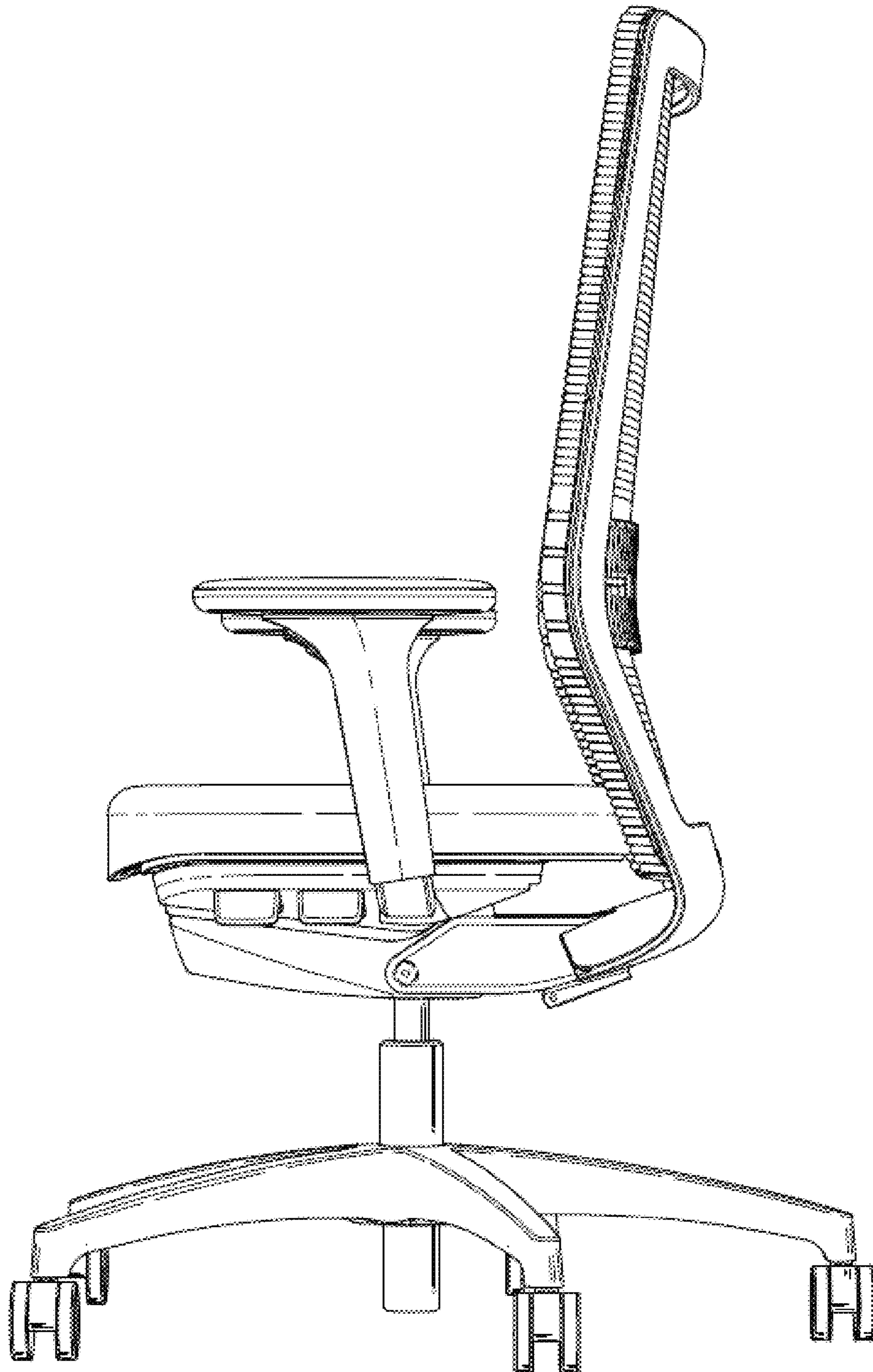


Fig. 6

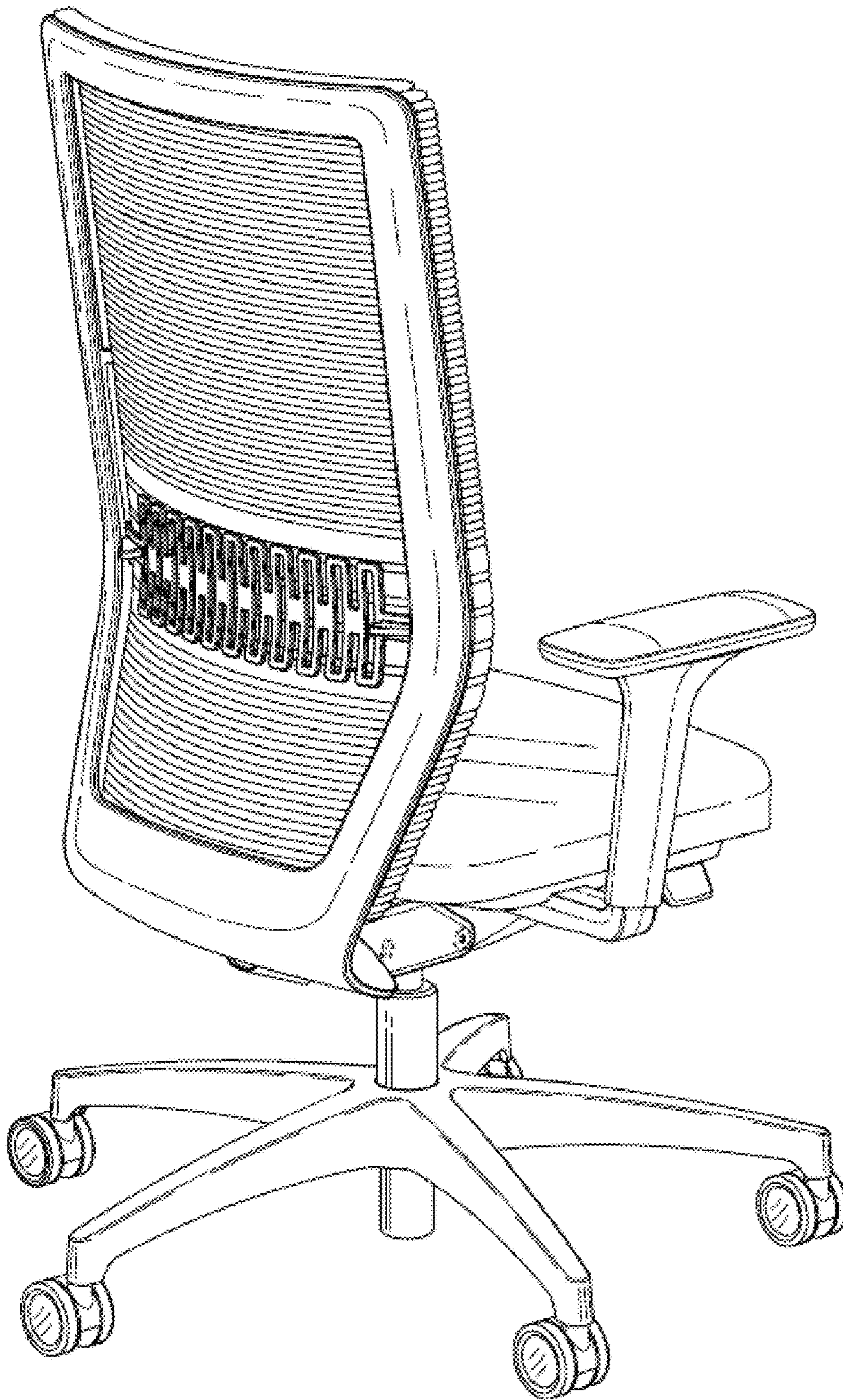


Fig. 7

UNITED STATES PATENT AND TRADEMARK OFFICE
CERTIFICATE OF CORRECTION

PATENT NO. : D873,576 S
APPLICATION NO. : 29/601236
DATED : January 28, 2020
INVENTOR(S) : Jessica Engelhardt

Page 1 of 1

It is certified that error appears in the above-identified patent and that said Letters Patent is hereby corrected as shown below:

On the Title Page

Item (73), should read:

(73) Assignee: Dauphin Entwicklungs- u.
Beteiligungs-GmbH, Hersbruck (DE)

Signed and Sealed this
First Day of June, 2021



Drew Hirshfeld
*Performing the Functions and Duties of the
Under Secretary of Commerce for Intellectual Property and
Director of the United States Patent and Trademark Office*