



US00D873575S

(12) **United States Design Patent**  
**Oakley**

(10) **Patent No.:** **US D873,575 S**  
(45) **Date of Patent:** **\*\* Jan. 28, 2020**

(54) **CLOTHES HANGER**  
(71) Applicant: **Gary Oakley**, Denver, CO (US)  
(72) Inventor: **Gary Oakley**, Denver, CO (US)  
(\*\*) Term: **15 Years**  
(21) Appl. No.: **29/649,334**  
(22) Filed: **May 29, 2018**  
(51) **LOC (12) Cl.** ..... **06-08**  
(52) **U.S. Cl.**  
USPC ..... **D6/327**  
(58) **Field of Classification Search**  
USPC ..... D6/315–328  
CPC ..... A47G 25/26; A47G 25/28; A47G 25/30;  
A47G 25/32; A47G 25/34; A47G 25/36;  
A47G 25/38; A47G 25/442; A47G  
25/625; A47G 25/743; A47G 25/1407;  
A47G 25/1457; A47G 2025/1492; A47F  
7/18; A47F 7/19; A47F 7/22  
See application file for complete search history.

(56) **References Cited**  
U.S. PATENT DOCUMENTS  
2,096,717 A \* 10/1937 Frederick ..... A47G 25/66  
223/95  
D126,753 S \* 4/1941 Xiques ..... D6/317  
2,288,551 A \* 6/1942 James ..... A47G 25/24  
223/95  
D183,640 S \* 9/1958 Van Dusen ..... 211/113  
3,013,706 A \* 12/1961 George ..... A47G 25/52  
223/96  
D193,746 S \* 10/1962 Cohen ..... 223/95  
3,061,155 A \* 10/1962 Dusen ..... A47G 25/26  
223/96  
3,209,967 A \* 10/1965 Hasselback ..... A47G 25/52  
223/96  
D205,567 S \* 8/1966 Chambers ..... D6/317  
3,276,645 A \* 10/1966 Buzzelli ..... A47G 25/24  
223/95

3,343,734 A \* 9/1967 Merriman ..... A47G 25/487  
223/96  
3,485,423 A \* 12/1969 Rolfe ..... A47G 25/24  
223/85  
D220,891 S \* 6/1971 Charak ..... D6/327  
D238,539 S \* 1/1976 Rhyne ..... D6/315  
4,177,841 A \* 12/1979 Meckstroth ..... A47G 25/30  
140/81.5  
D278,867 S \* 5/1985 Tendrup ..... 16/87.2  
4,565,309 A \* 1/1986 Batts ..... A47G 25/487  
223/96  
D283,273 S \* 4/1986 Rhyne ..... D6/327  
4,579,262 A \* 4/1986 Keenan ..... A47G 25/14  
211/94.02

(Continued)

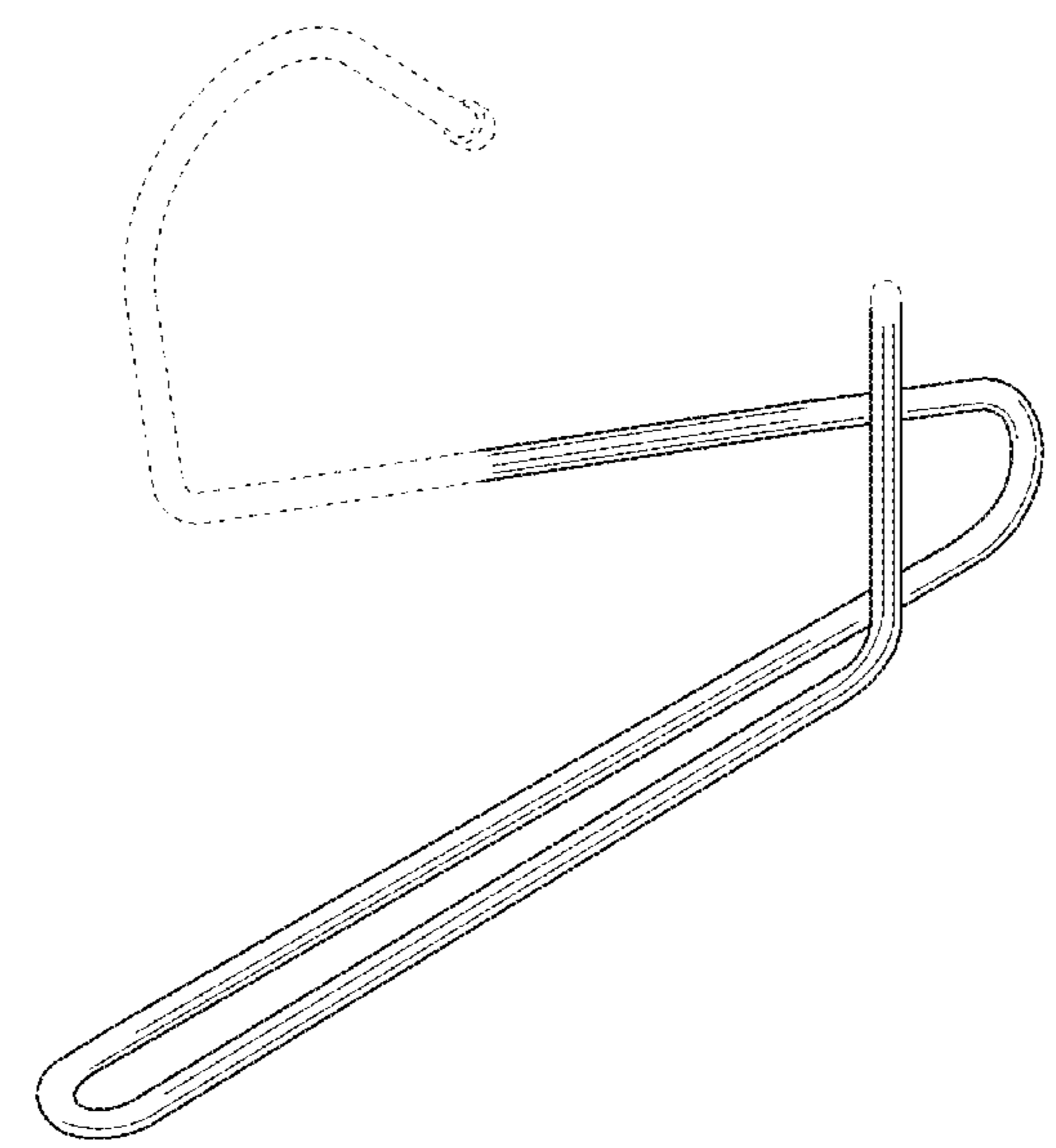
*Primary Examiner* — Lauren R Calve  
(74) *Attorney, Agent, or Firm* — Sheridan Ross PC

(57) **CLAIM**  
The ornamental design for a clothes hanger, as shown and described.

**DESCRIPTION**

FIG. 1 is a front perspective view showing the new design for a clothes hanger;  
FIG. 2 is a front elevation view of the clothes hanger of FIG. 1;  
FIG. 3 is a rear elevation view of the clothes hanger of FIG. 1;  
FIG. 4 is a right elevation view of the clothes hanger of FIG. 1;  
FIG. 5 is a left elevation view of the clothes hanger of FIG. 1;  
FIG. 6 is a top plan view of the clothes hanger of FIG. 1; and, FIG. 7 is a bottom plan view of the clothes hanger of FIG. 1.  
The broken lines in the drawings illustrate the portions of the clothes hanger that form no part of the claim.

**1 Claim, 5 Drawing Sheets**



(56)

**References Cited**

U.S. PATENT DOCUMENTS

|           |   |   |         |                                 |                         |
|-----------|---|---|---------|---------------------------------|-------------------------|
| D285,264  | S | * | 8/1986  | Miale .....                     | D6/317                  |
| D309,220  | S | * | 7/1990  | Welch .....                     | D6/317                  |
| D320,700  | S | * | 10/1991 | Testa .....                     | D6/317                  |
| 5,056,670 | A | * | 10/1991 | Fine .....                      | A47B 61/003<br>211/85.3 |
| D334,480  | S | * | 4/1993  | Dongas .....                    | D6/318                  |
| D337,209  | S | * | 7/1993  | Cardinal .....                  | D6/317                  |
| D362,553  | S | * | 9/1995  | Hoepfner .....                  | D6/327                  |
| D381,815  | S | * | 8/1997  | Louw .....                      | D6/317                  |
| D386,009  | S | * | 11/1997 | von Fabris auf Mayerhofen ..... | D6/327                  |
| 6,006,964 | A | * | 12/1999 | White .....                     | A47G 25/24<br>223/85    |
| D435,174  | S | * | 12/2000 | Grisdale .....                  | D6/317                  |
| D435,354  | S | * | 12/2000 | Skeens .....                    | D6/317                  |
| D498,934  | S | * | 11/2004 | Saito .....                     | D6/317                  |
| D515,827  | S | * | 2/2006  | Steendyk .....                  | D6/317                  |
| D679,912  | S | * | 4/2013  | Cohen .....                     | D6/319                  |
| D818,278  | S | * | 5/2018  | Kershaw .....                   | D6/317                  |

\* cited by examiner

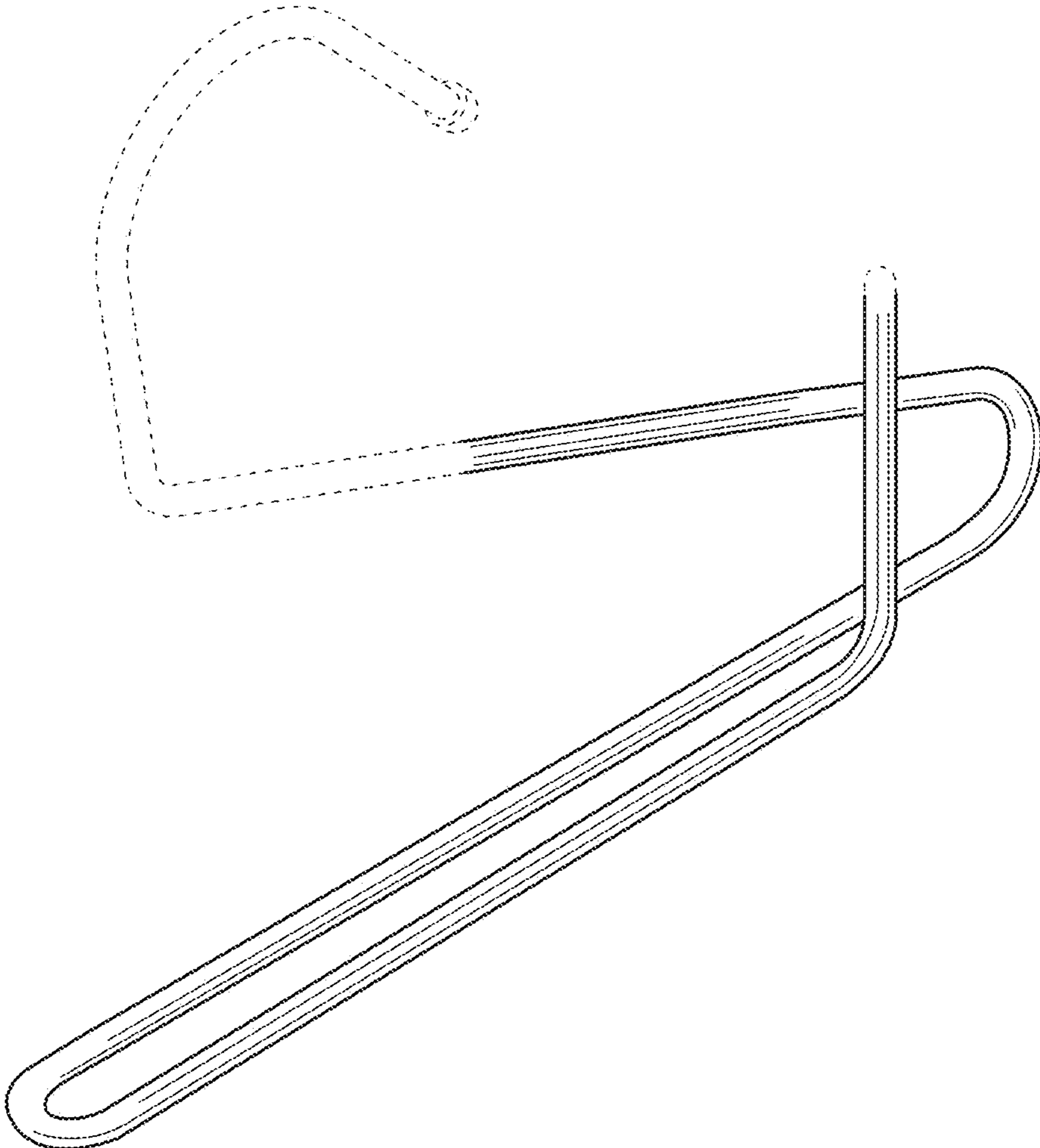


FIG.1

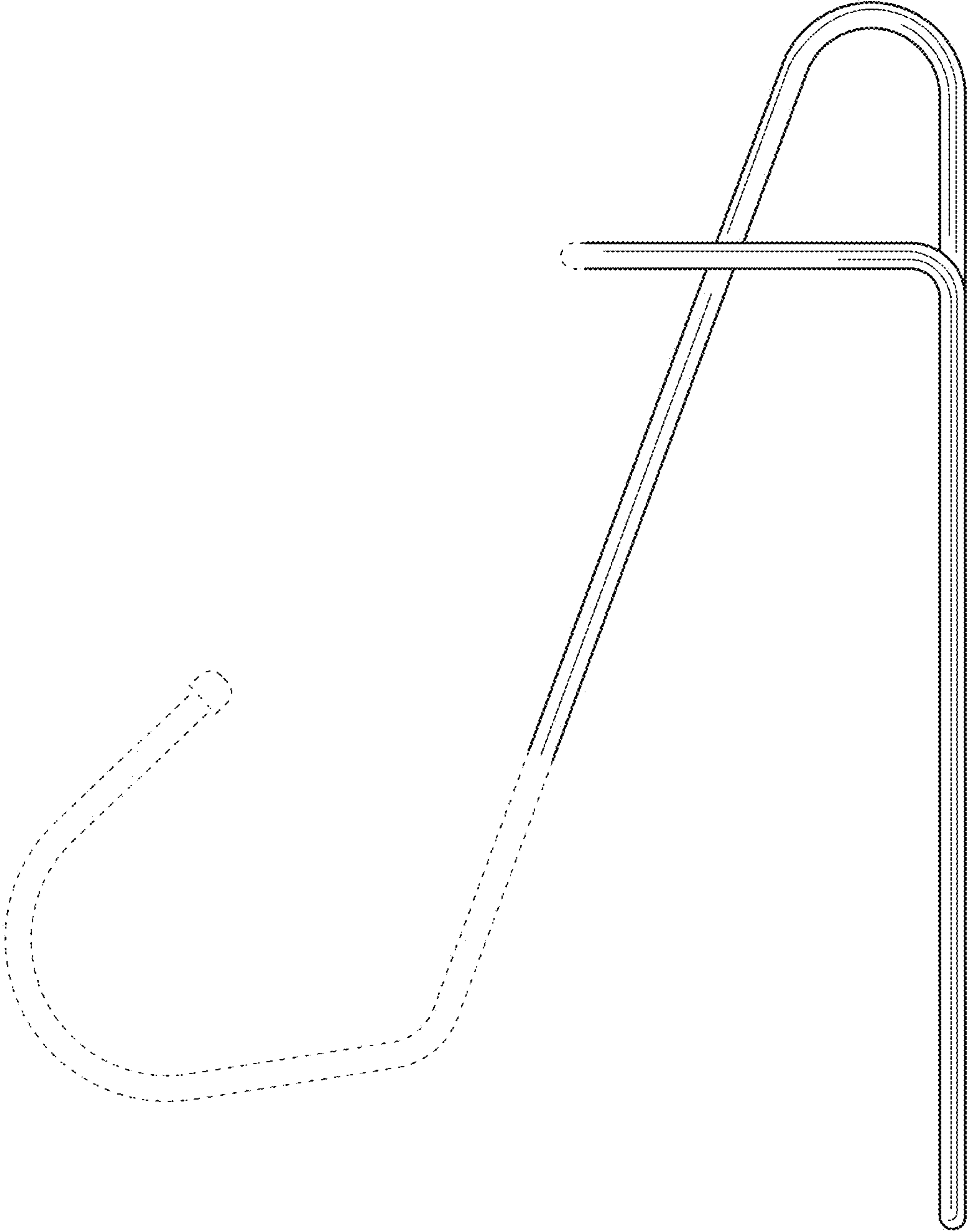


FIG.2

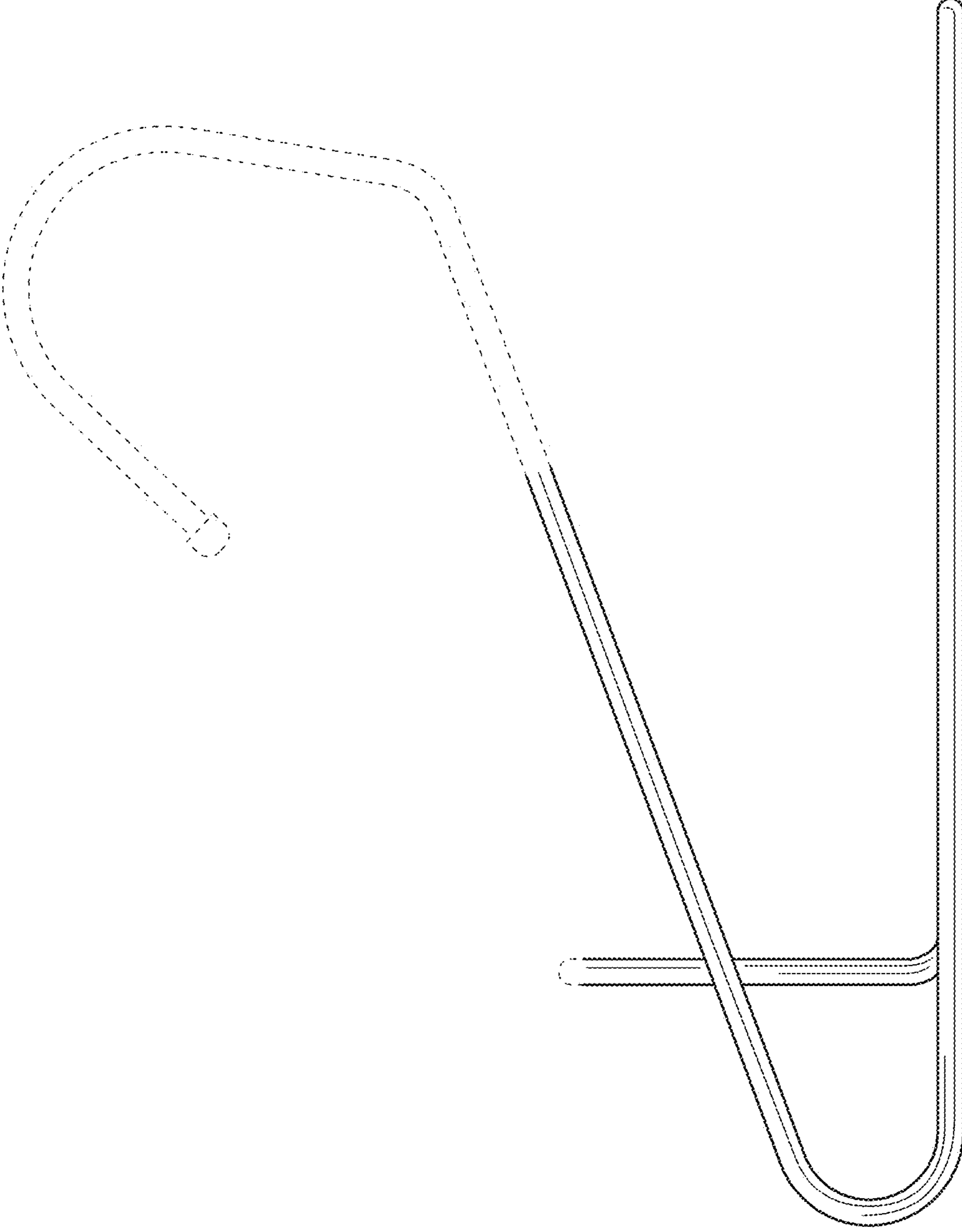


FIG. 3

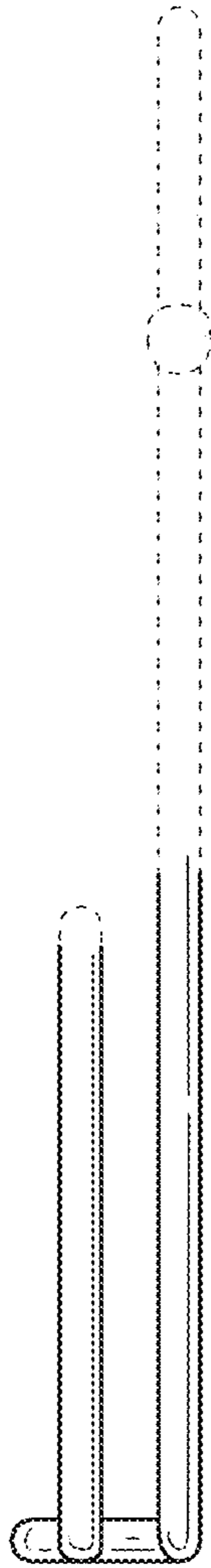


FIG.4

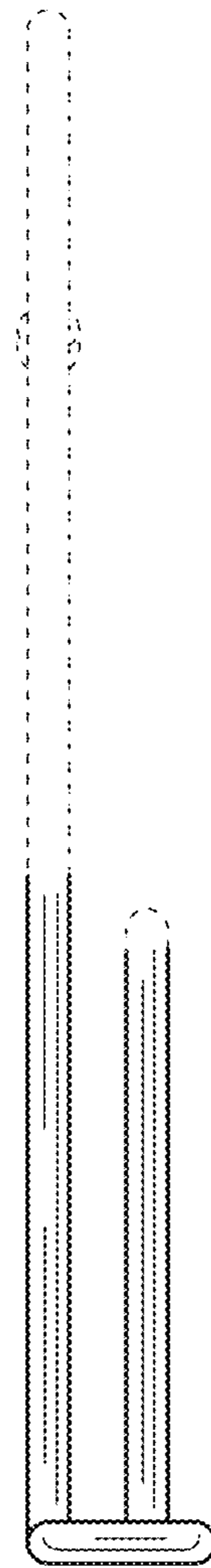


FIG.5

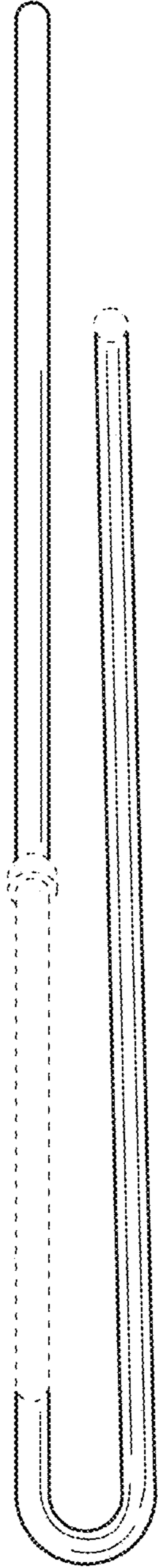


FIG. 6

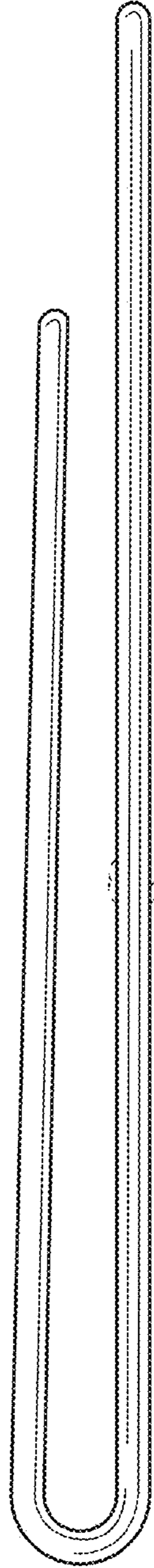


FIG. 7