

US00D873574S

(12) **United States Design Patent**  
**Wei**

(10) **Patent No.:** **US D873,574 S**  
(45) **Date of Patent:** **\*\* Jan. 28, 2020**

- (54) **MIRROR WITH ARM**
- (71) Applicant: **E. MISHAN & SONS, INC.**, New York, NY (US)
- (72) Inventor: **Zhang Wei**, Yuyao (CN)
- (73) Assignee: **E. Mishan & Sons, Inc.**, New York, NY (US)
- (\*\*) Term: **15 Years**
- (21) Appl. No.: **29/672,789**
- (22) Filed: **Dec. 10, 2018**
- (51) **LOC (12) Cl.** ..... **06-06**
- (52) **U.S. Cl.**  
USPC ..... **D6/309**
- (58) **Field of Classification Search**  
USPC ..... D6/300–314  
CPC .... A47G 1/00; A47G 2001/002; A45D 42/10;  
F21V 33/004  
See application file for complete search history.

|              |         |                |        |
|--------------|---------|----------------|--------|
| D524,469 S   | 7/2006  | Pitot et al.   |        |
| D547,555 S * | 7/2007  | Lo .....       | D6/312 |
| D549,968 S   | 9/2007  | Pitot et al.   |        |
| D589,267 S   | 3/2009  | Pitot          |        |
| D649,790 S   | 12/2011 | Pitot          |        |
| D652,220 S   | 1/2012  | Pitot          |        |
| D657,576 S   | 4/2012  | Pitot          |        |
| D679,101 S   | 4/2013  | Pitot          |        |
| D736,001 S * | 8/2015  | Yang .....     | D6/309 |
| D748,936 S * | 2/2016  | Kanrilak ..... | D6/681 |
| D751,829 S * | 3/2016  | Yang .....     | D6/309 |
| D824,681 S * | 8/2018  | Vaughn .....   | D6/309 |
| D841,342 S * | 2/2019  | Melocchi ..... | D6/309 |
| D865,375 S * | 11/2019 | Yang .....     | D6/310 |

\* cited by examiner

*Primary Examiner* — Deanna L Pratt  
(74) *Attorney, Agent, or Firm* — Notaro, Michalos & Zaccaria P.C.

(57) **CLAIM**

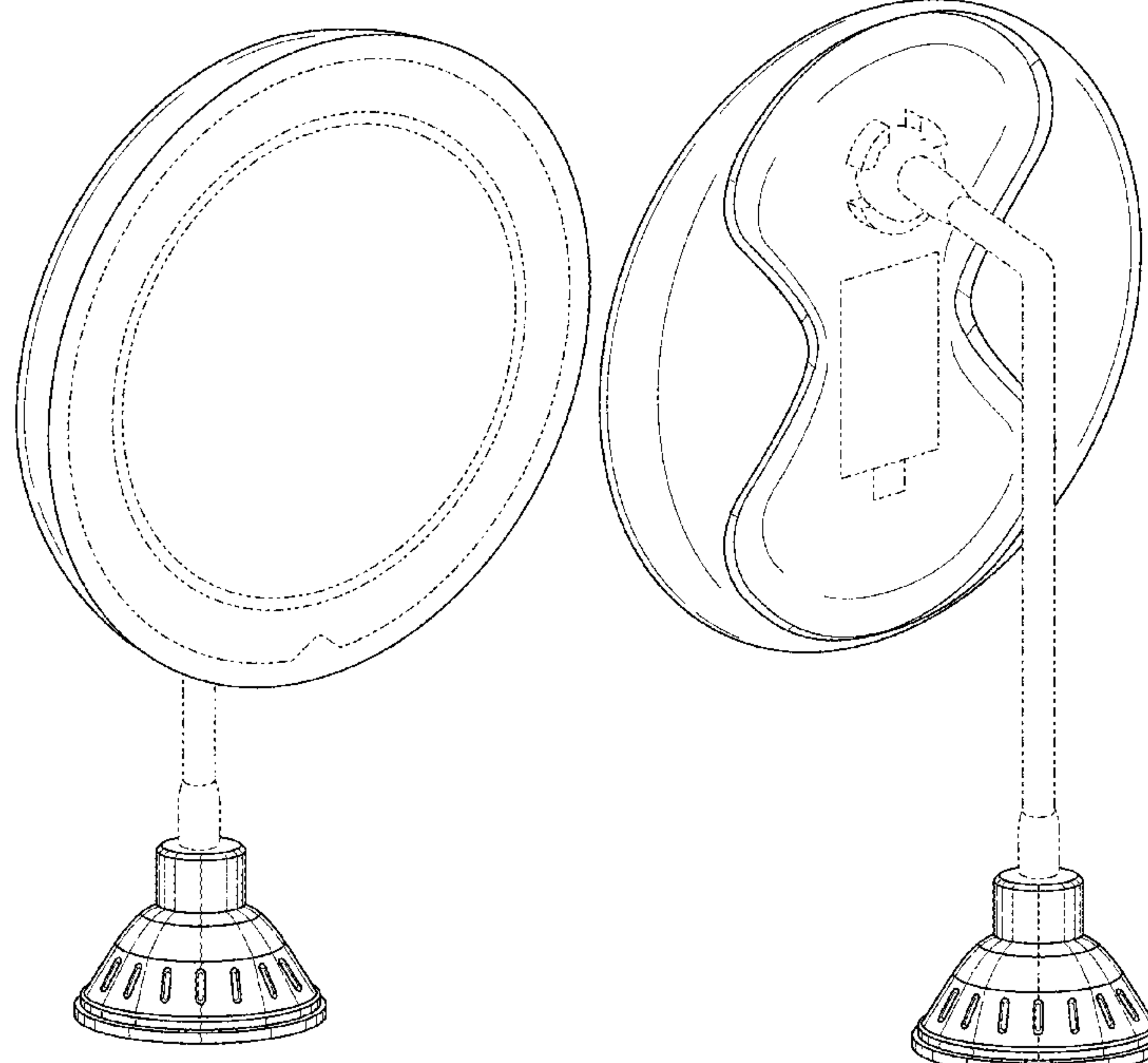
The ornamental design for a mirror with arm, as shown and described.

**DESCRIPTION**

FIG. 1 is a front, right, top perspective view of a mirror with arm showing my design therefor;  
FIG. 2 is a rear top left perspective view thereof;  
FIG. 3 is a front elevational view thereof;  
FIG. 4 is a rear elevational view thereof;  
FIG. 5 is a right side elevational view thereof;  
FIG. 6 is a left side elevational view thereof;  
FIG. 7 is a top plan view thereof; and,  
FIG. 8 is a bottom plan view thereof.  
Throughout the drawings, the broken lines indicate environment only and form no part of the design.

**1 Claim, 7 Drawing Sheets**

- (56) **References Cited**  
U.S. PATENT DOCUMENTS
- 1,220,069 A \* 3/1917 Capdevila ..... A47G 1/16  
248/474
- 3,392,950 A \* 7/1968 Pierce ..... A47G 1/24  
248/279.1
- D254,208 S \* 2/1980 Breslow ..... D12/189
- D309,833 S \* 8/1990 Wahl ..... D6/300
- D409,003 S 5/1999 Scavini
- D425,313 S 5/2000 Zadro
- 6,206,530 B1 3/2001 Eberts
- D442,371 S 5/2001 Eberts
- D454,701 S 3/2002 Eric
- D508,883 S \* 8/2005 Falconer ..... D12/189



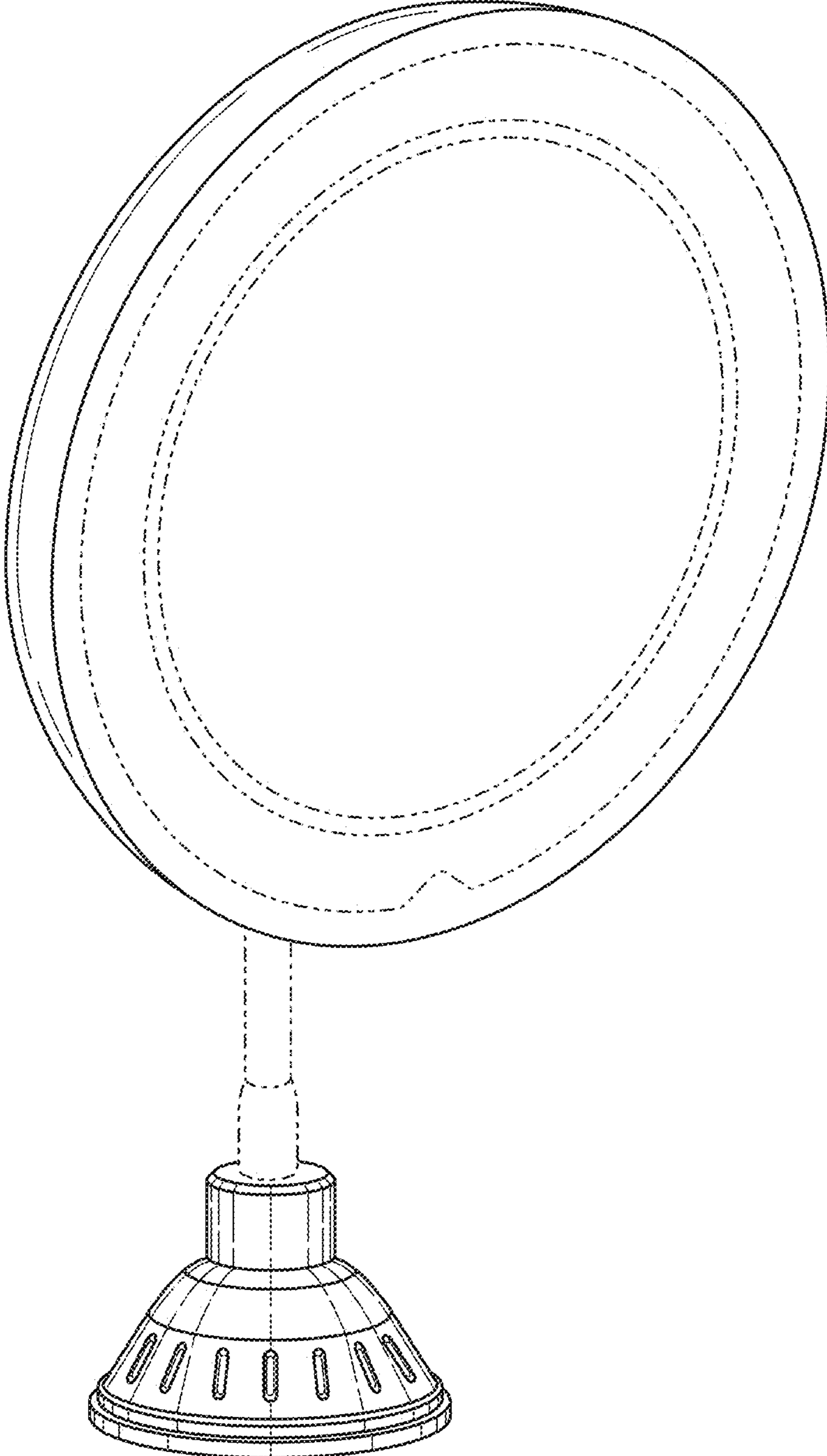


FIG. 1

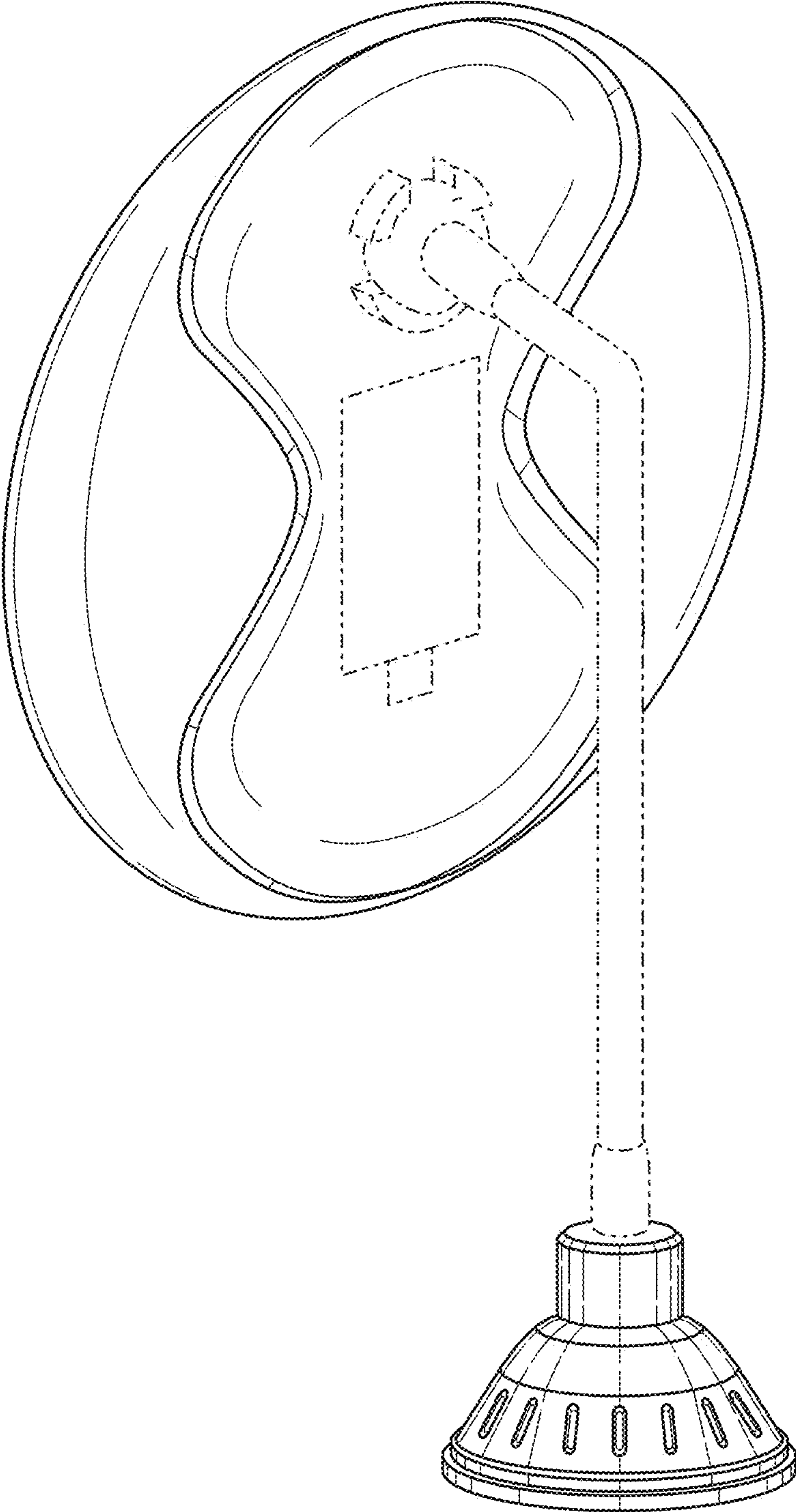


FIG. 2

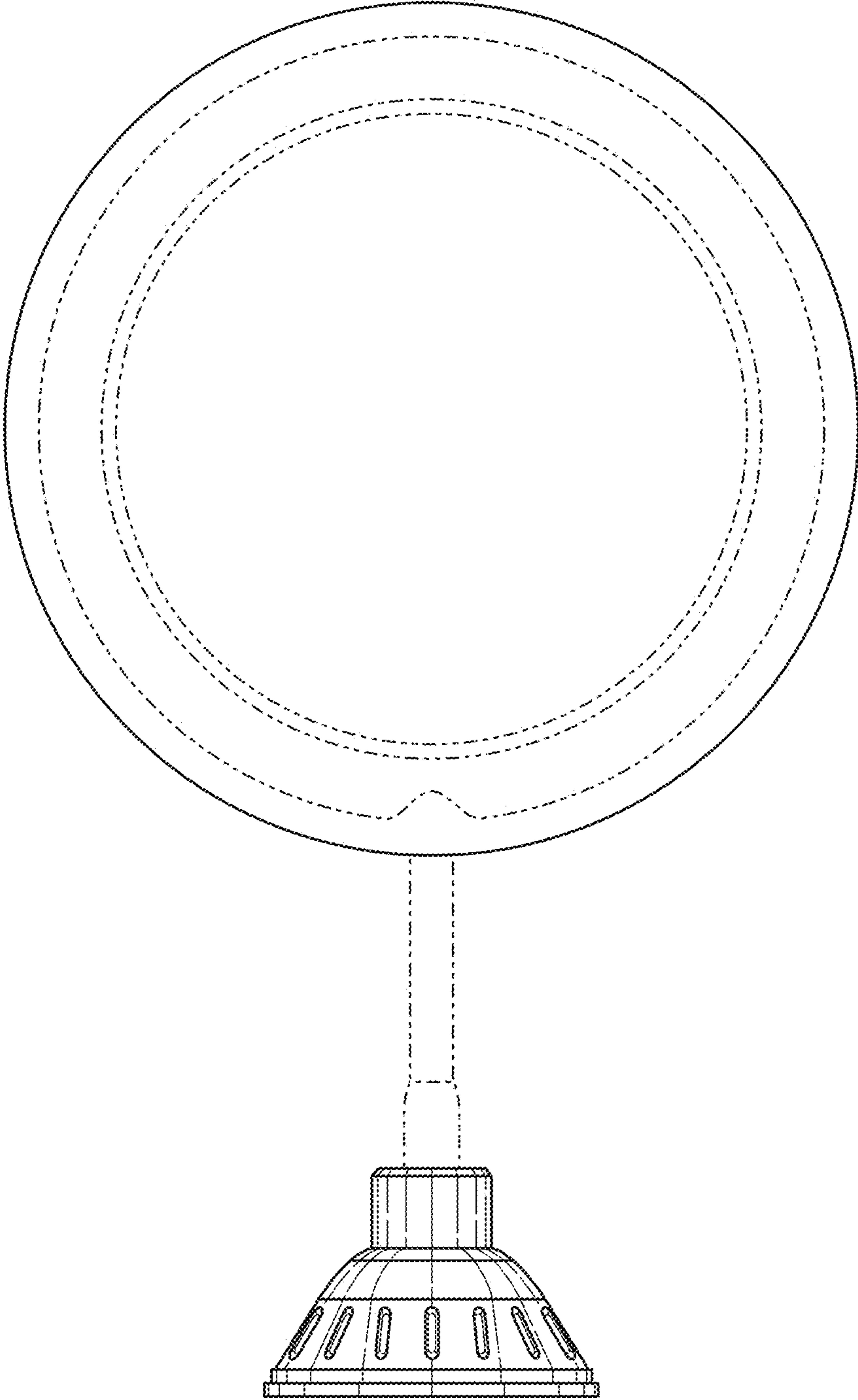


FIG. 3



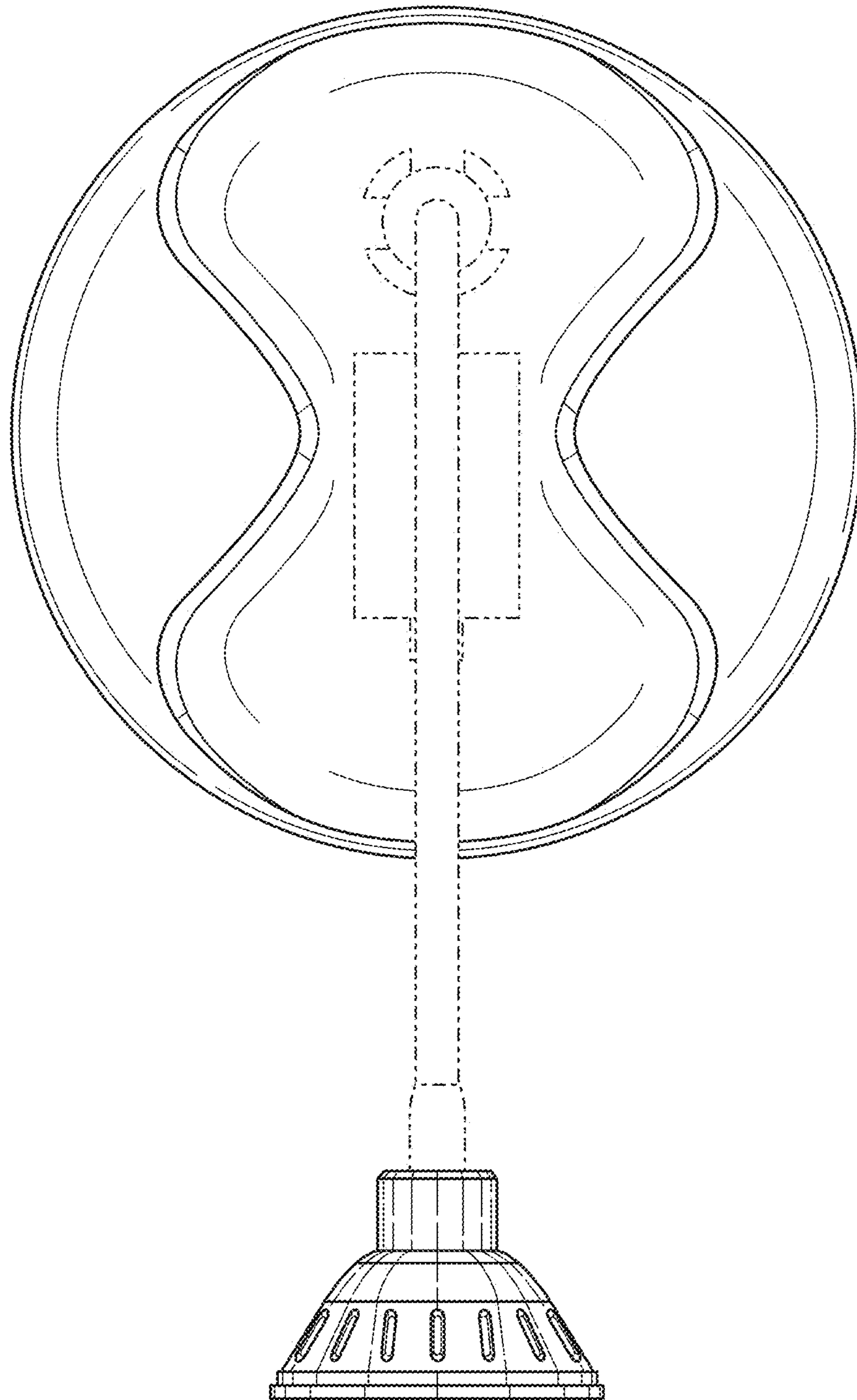


FIG. 4

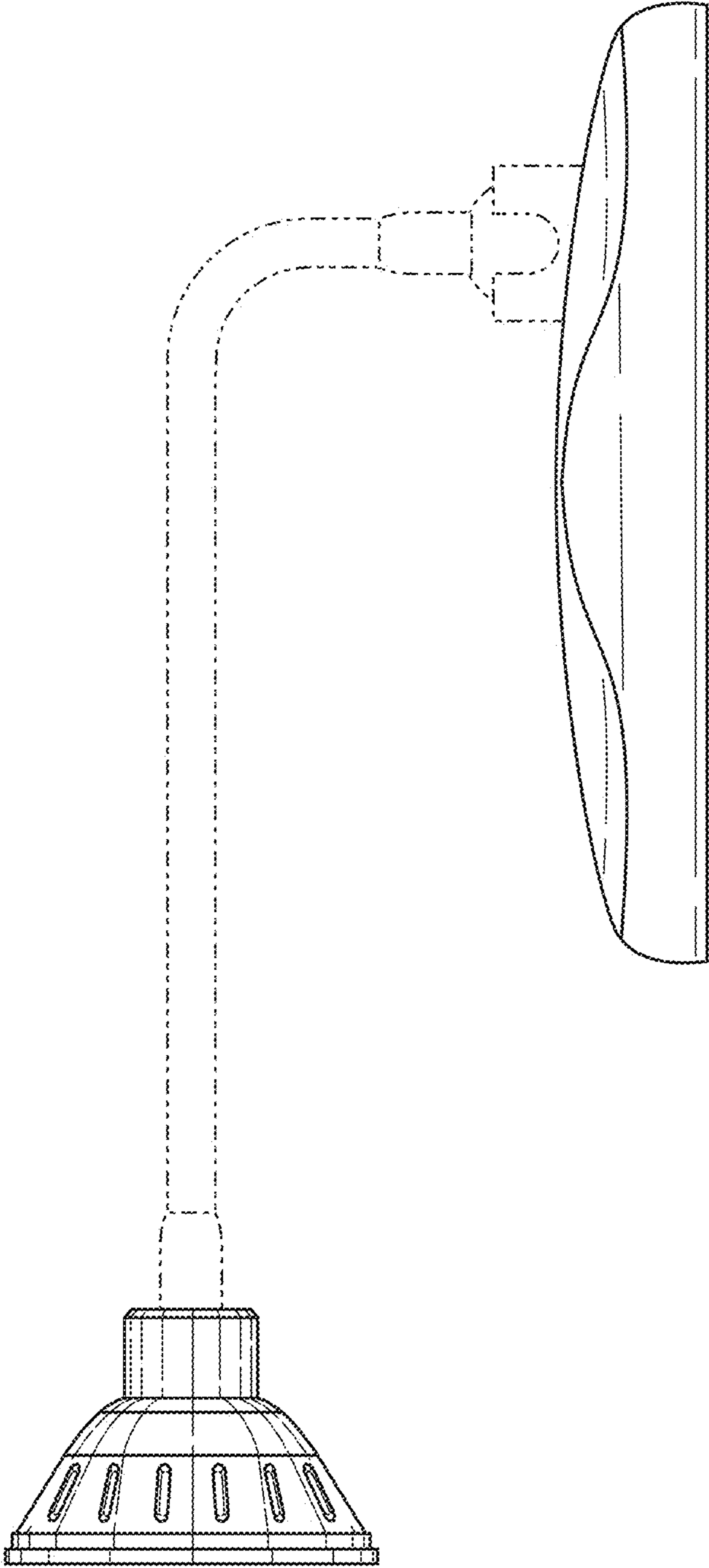


FIG. 5

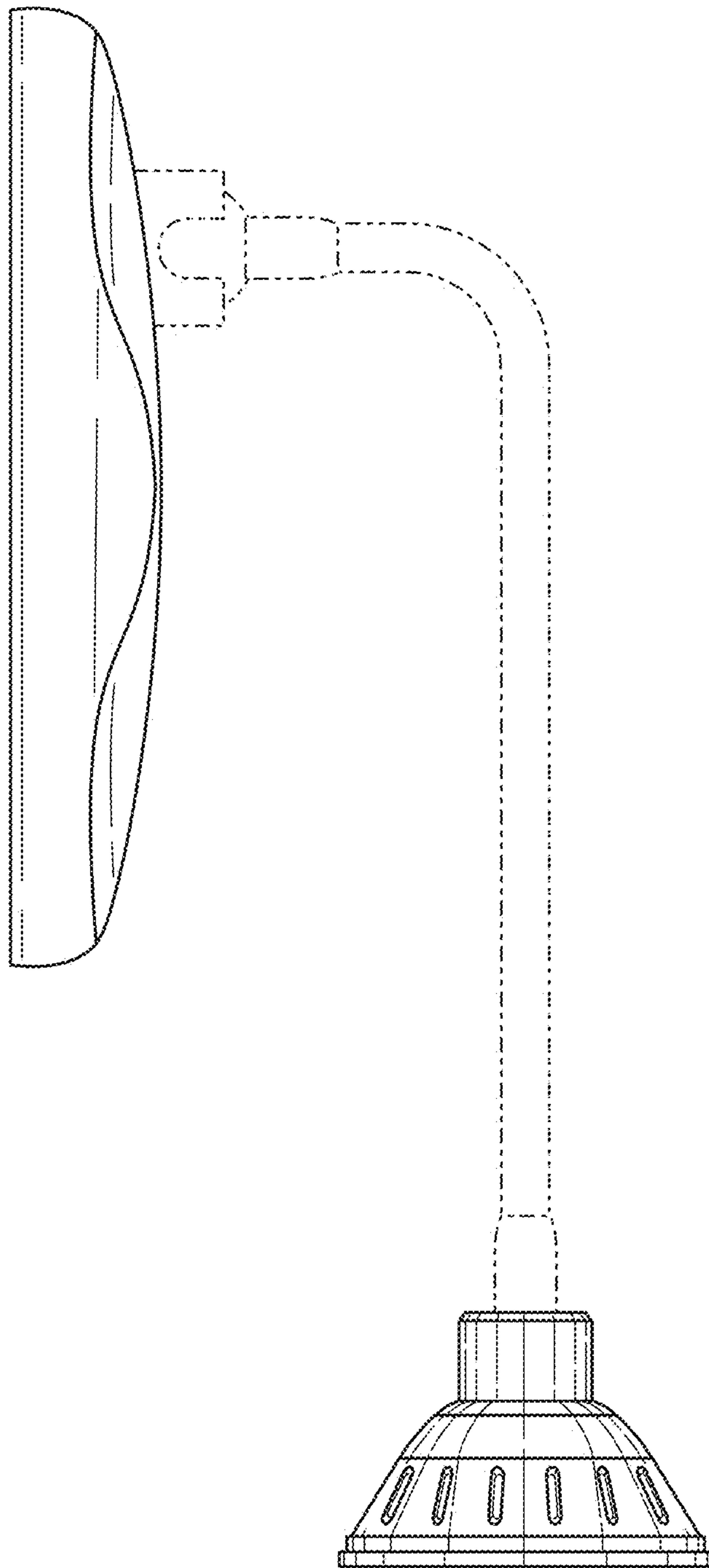


FIG. 6

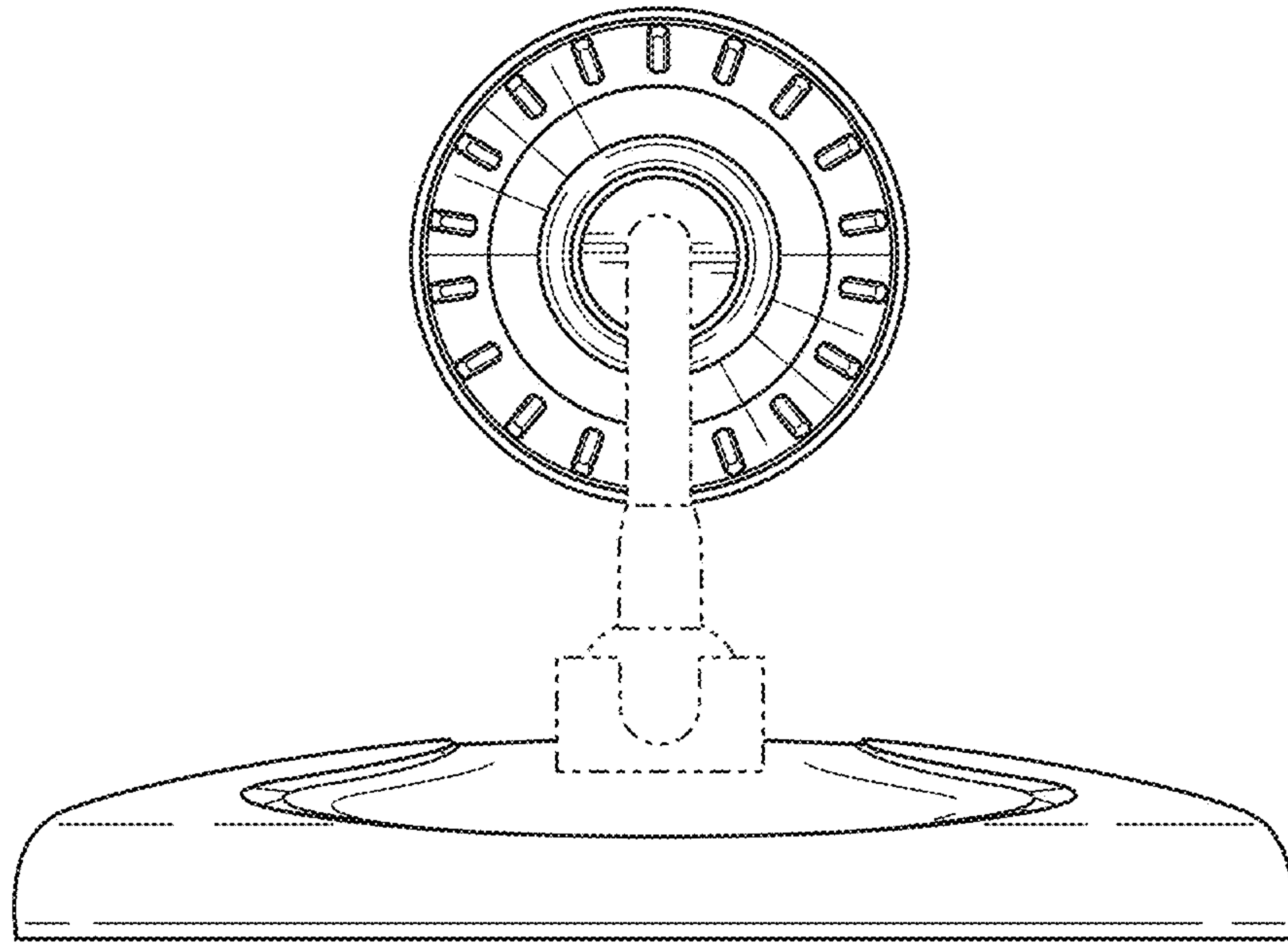


FIG. 7

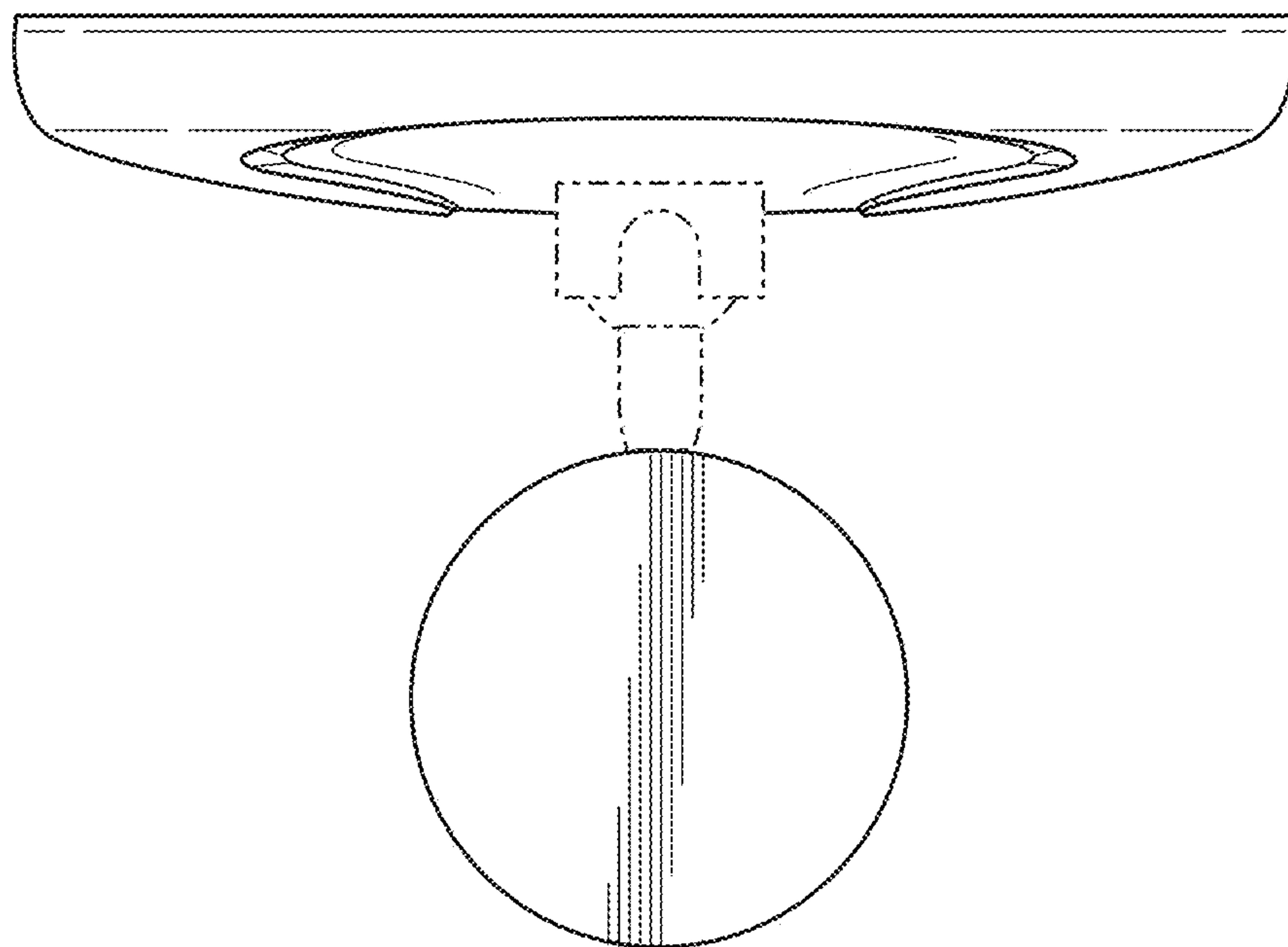


FIG. 8