



US00D873569S

(12) **United States Design Patent**
Nichols

(10) **Patent No.:** **US D873,569 S**
(45) **Date of Patent:** **** Jan. 28, 2020**

(54) **PERSONAL CARE DEVICE WITH CAMERA**

(71) Applicant: **Thomas Nichols**, Laguna Niguel, CA
(US)

(72) Inventor: **Thomas Nichols**, Laguna Niguel, CA
(US)

(**) Term: **15 Years**

(21) Appl. No.: **29/647,106**

(22) Filed: **May 9, 2018**

(51) **LOC (12) Cl.** **28-03**

(52) **U.S. Cl.**
USPC **D4/102**

(58) **Field of Classification Search**
USPC D4/100, 102; D28/7, 63; D24/211, 214,
D24/215; D32/35, 40
CPC . A47K 7/00; A47K 7/02; A47K 7/002; A47K
7/04; A47K 7/043; A61H 7/002; A61H
7/003; A61H 7/005; A61H 2205/022;
A61H 2201/1692; A46B 2200/102; A46B
5/0095; A46B 7/08
See application file for complete search history.

(56) **References Cited**

U.S. PATENT DOCUMENTS

- D552,809 S * 10/2007 Linsbichler D32/14.1
- D693,932 S 11/2013 Nichols
- 8,620,421 B2* 12/2013 Yeo A61H 7/005
604/20
- 9,138,257 B2* 9/2015 Revivo A61B 17/54
- 9,272,141 B2 3/2016 Nichols
- D753,400 S * 4/2016 Khoun D4/102
- D764,173 S 8/2016 Nichols
- 9,730,758 B2* 8/2017 Carlucci A46B 13/008
- D799,711 S * 10/2017 Sedic D24/200

- D803,572 S * 11/2017 Nichols D4/102
- D813,203 S * 3/2018 Hardi D14/218
- D822,843 S * 7/2018 Lenke D24/215
- D825,188 S * 8/2018 Luo D4/101
- D830,700 S * 10/2018 Xue D4/102
- 10,252,051 B2* 4/2019 Nichols A61N 1/36014
- 2017/0202732 A1 7/2017 Nichols
- 2018/0125201 A1* 5/2018 Nichols A46B 5/0095
- 2018/0279762 A1* 10/2018 Park A46B 13/008

FOREIGN PATENT DOCUMENTS

JP 2017-99428 A * 6/2017

* cited by examiner

Primary Examiner — Karen E Eldridge Powers

(74) *Attorney, Agent, or Firm* — Knobbe Martens Olson
& Bear LLP

(57) **CLAIM**

The ornamental design for a personal care device with camera, as shown and described.

DESCRIPTION

FIG. 1 is a bottom, front perspective view of an embodiment of a personal care device with camera embodying my design;

FIG. 2 is a top, rear perspective view of the embodiment;

FIG. 3 is a front view of the embodiment;

FIG. 4 is a rear view of the embodiment;

FIG. 5 is a left side view of the embodiment;

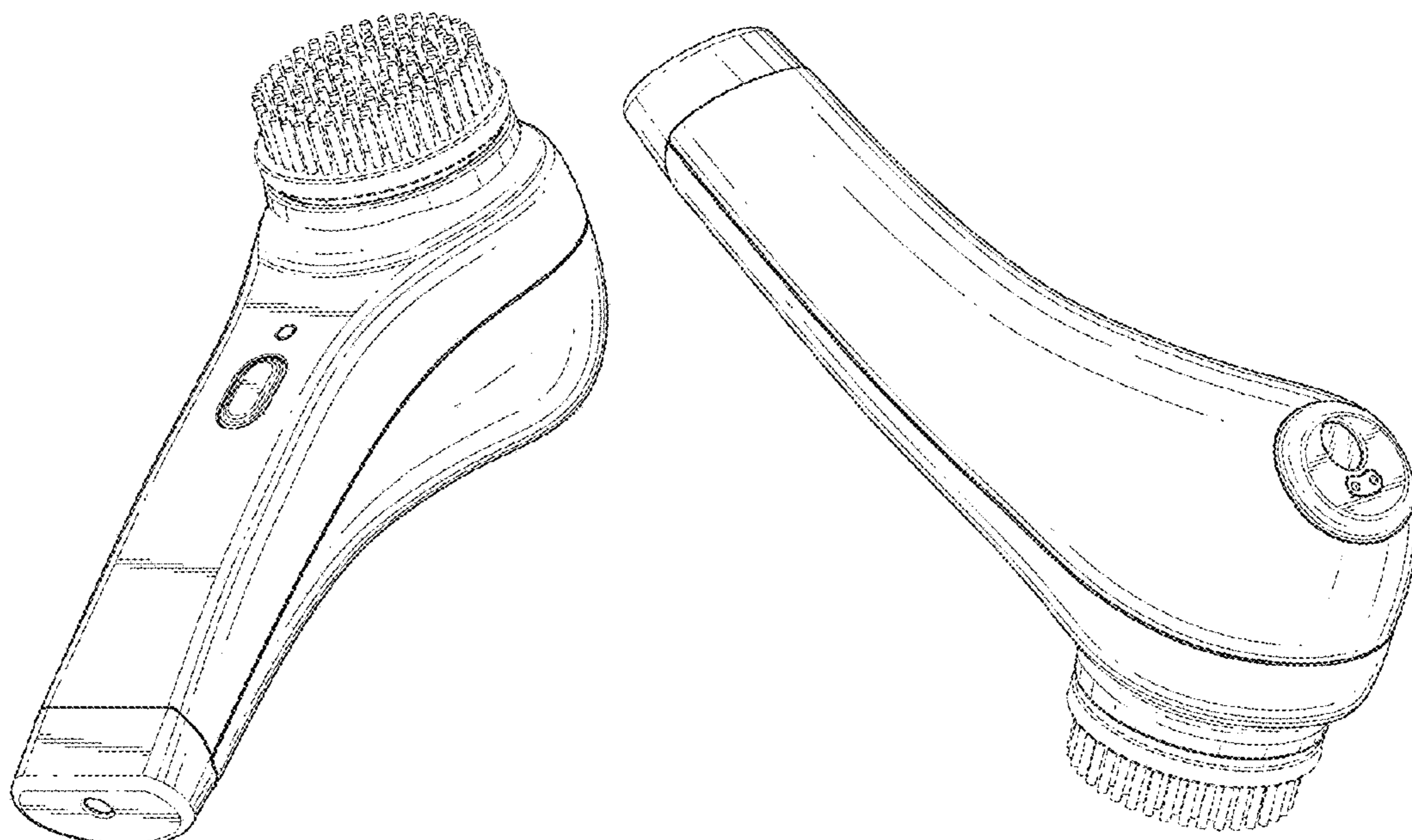
FIG. 6 is a right side view of the embodiment;

FIG. 7 is a top view of the embodiment; and,

FIG. 8 is a bottom view of the embodiment.

The broken lines shown in the figures represent portions of the personal care device with camera that form no part of the claimed design.

1 Claim, 7 Drawing Sheets



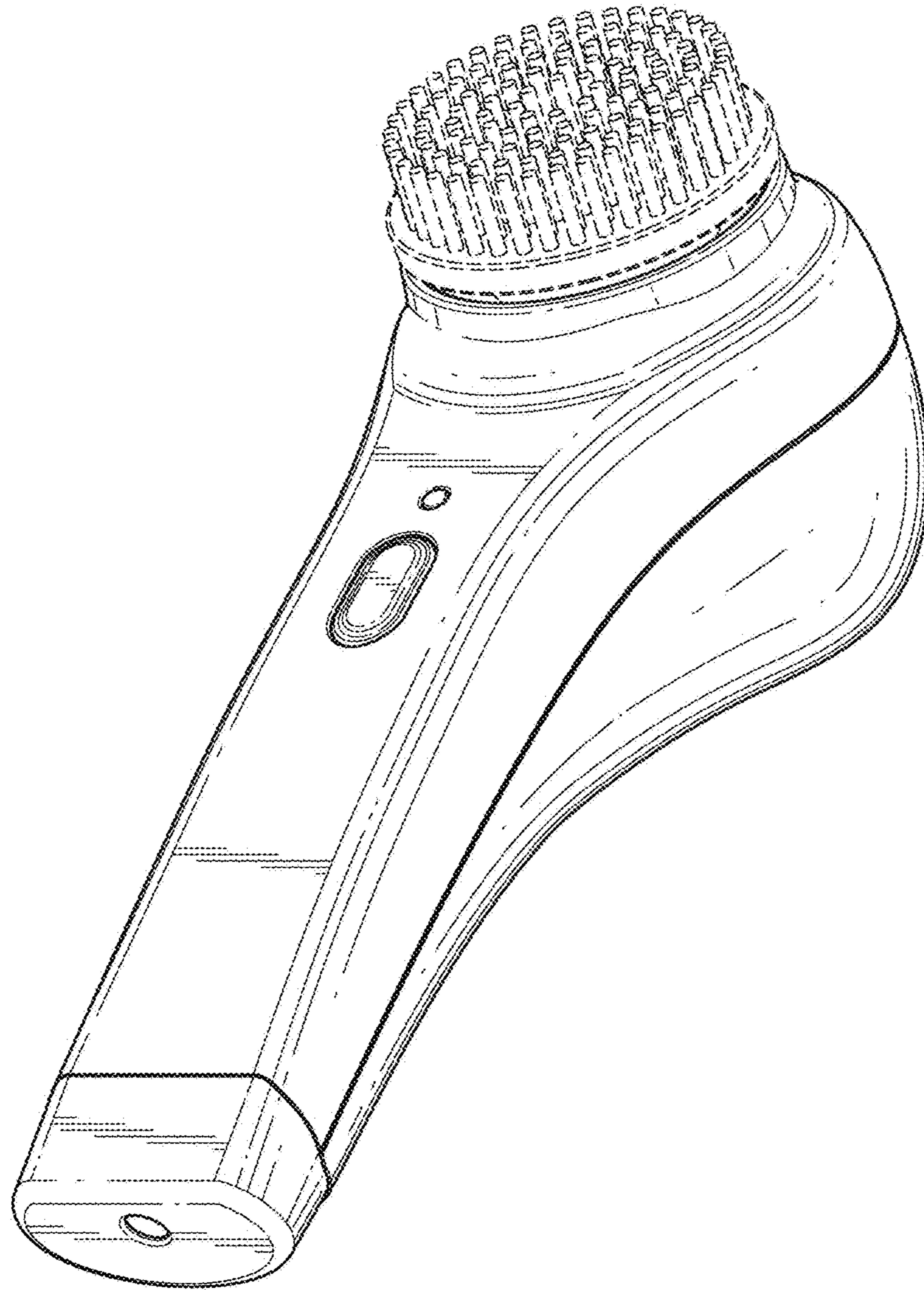


FIG. 1

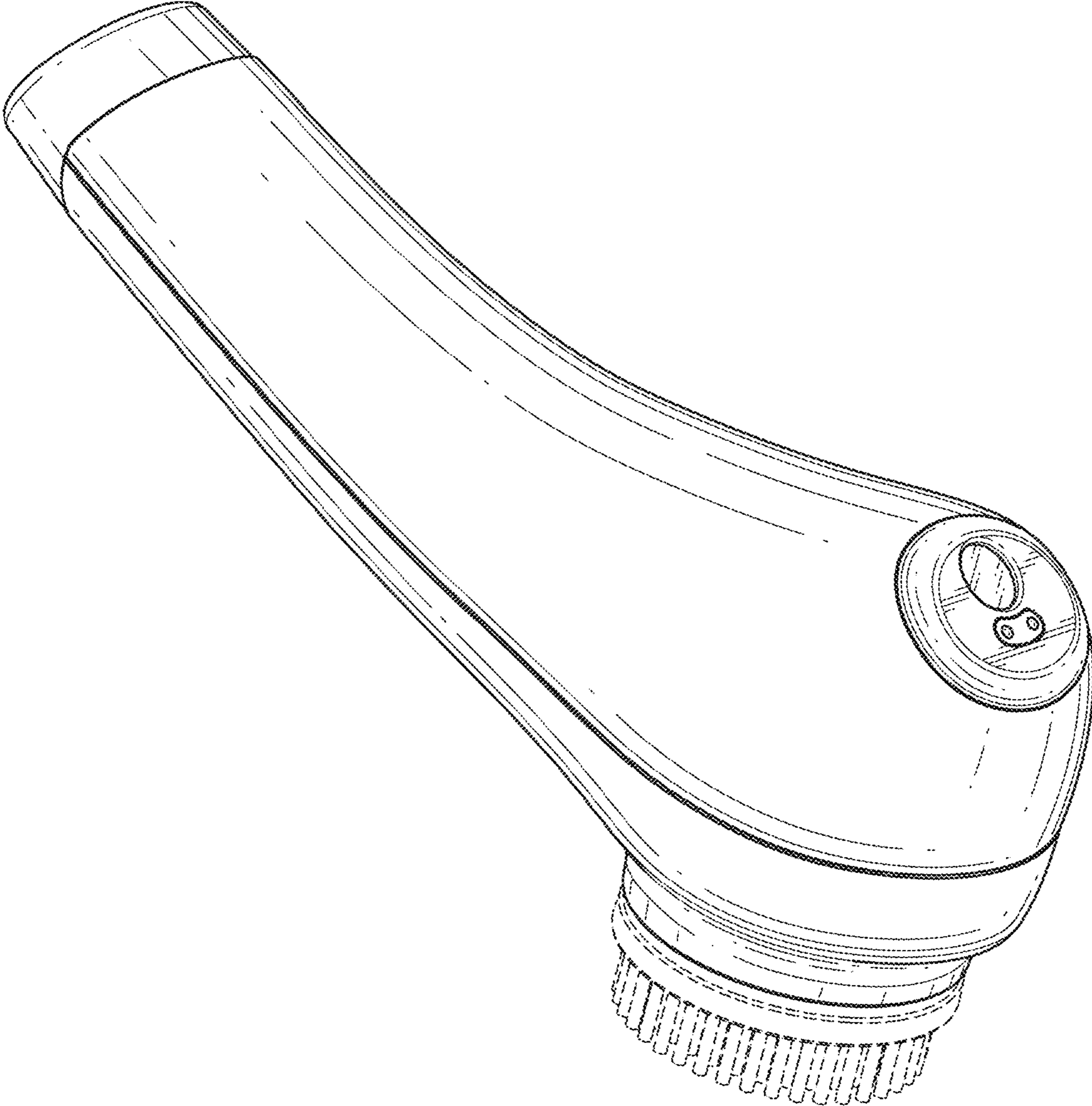


FIG. 2

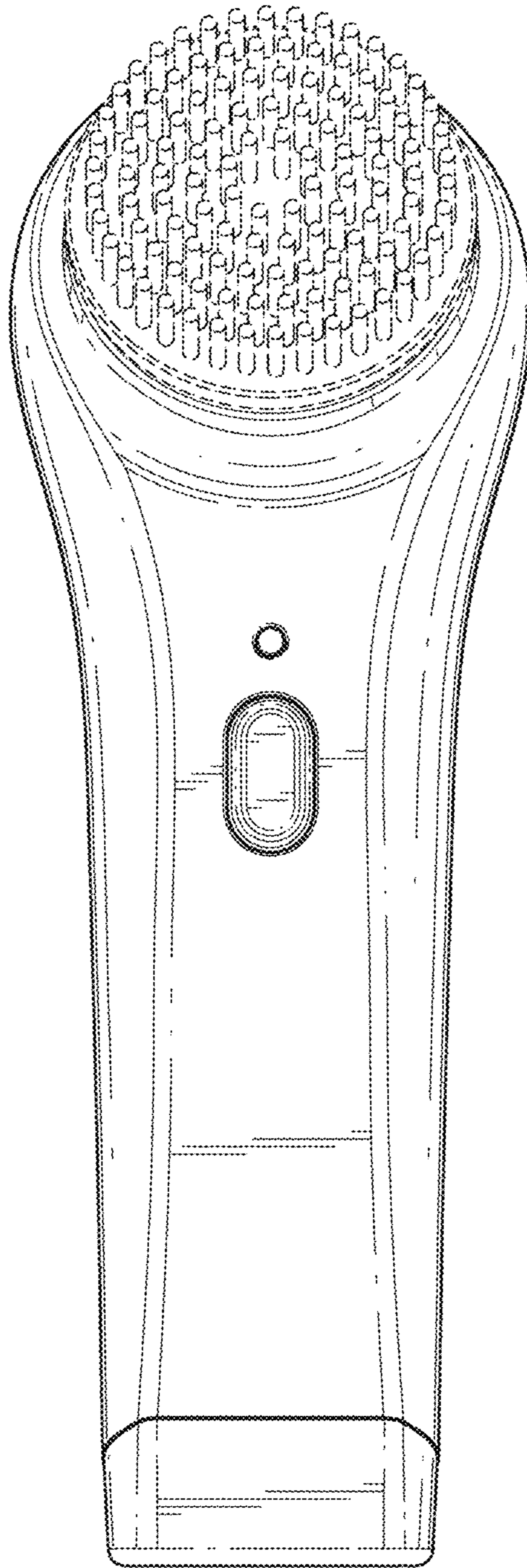


FIG. 3

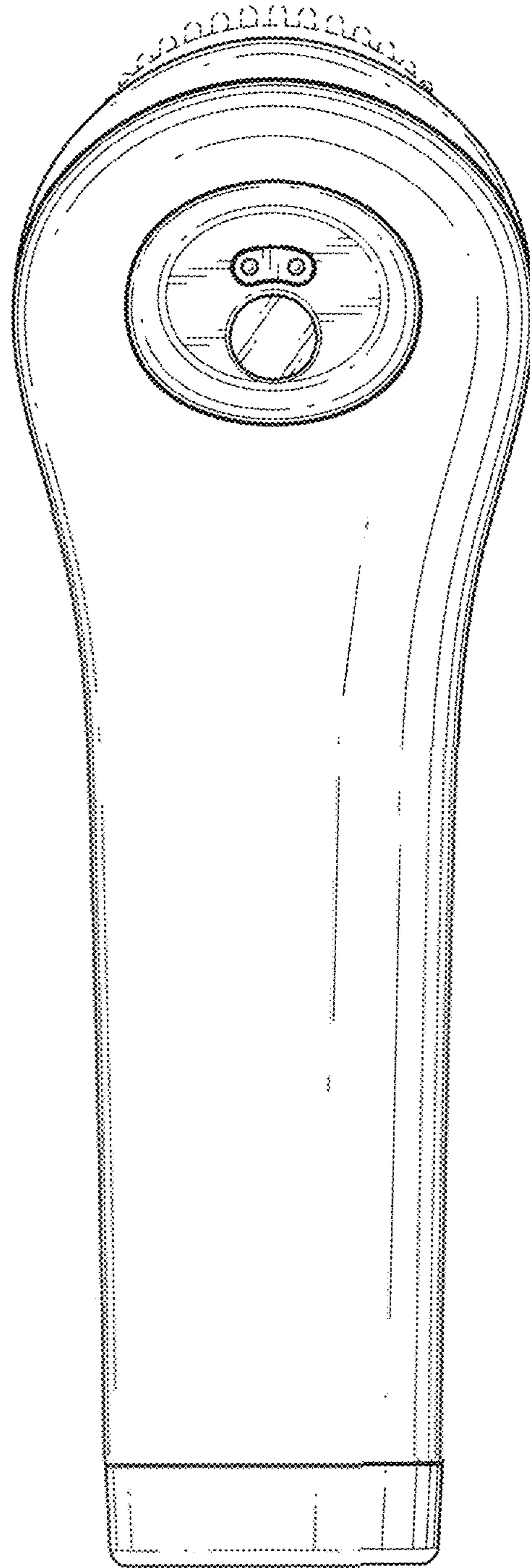


FIG 4.

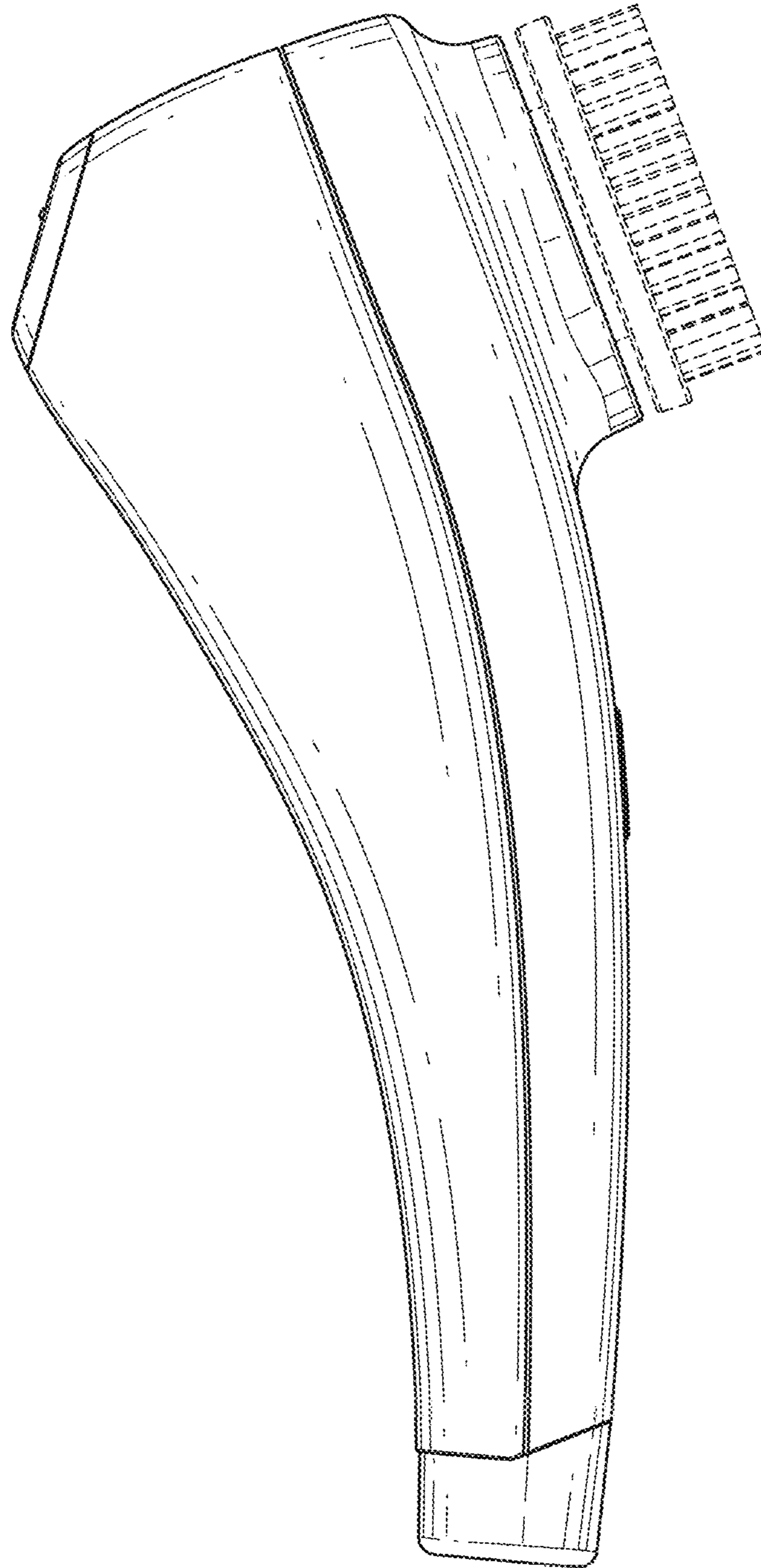


FIG. 5

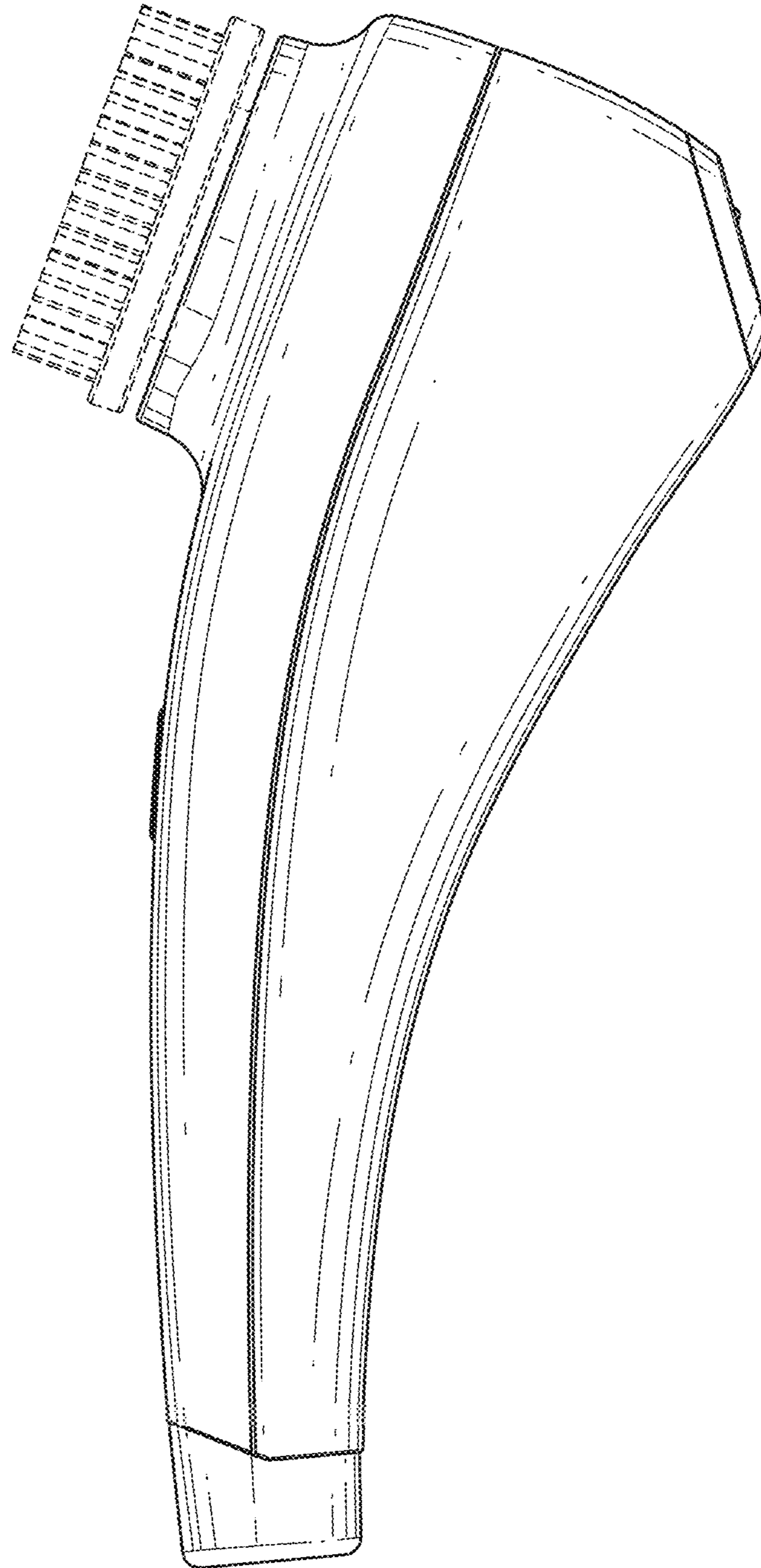


FIG. 6

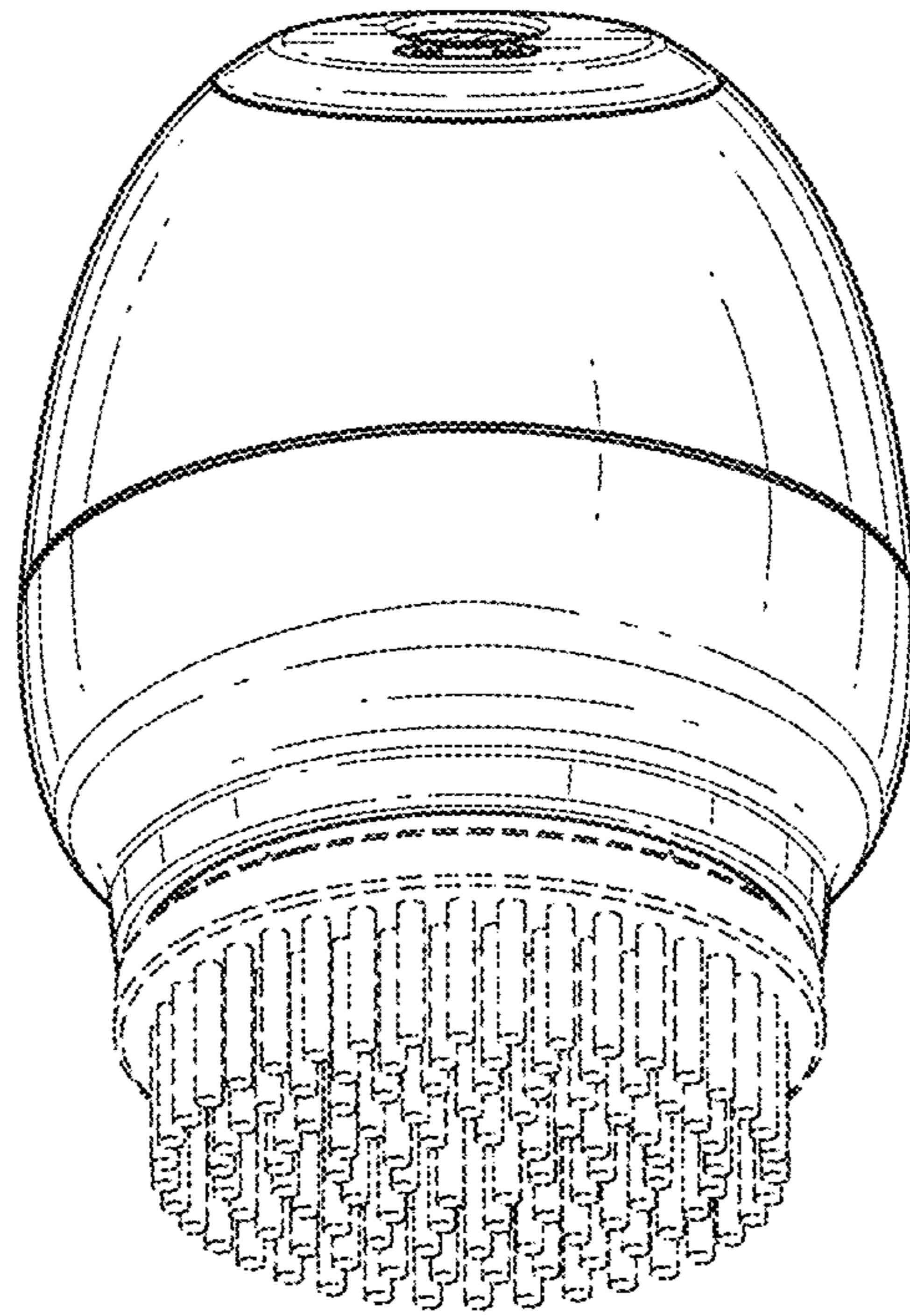


FIG. 7

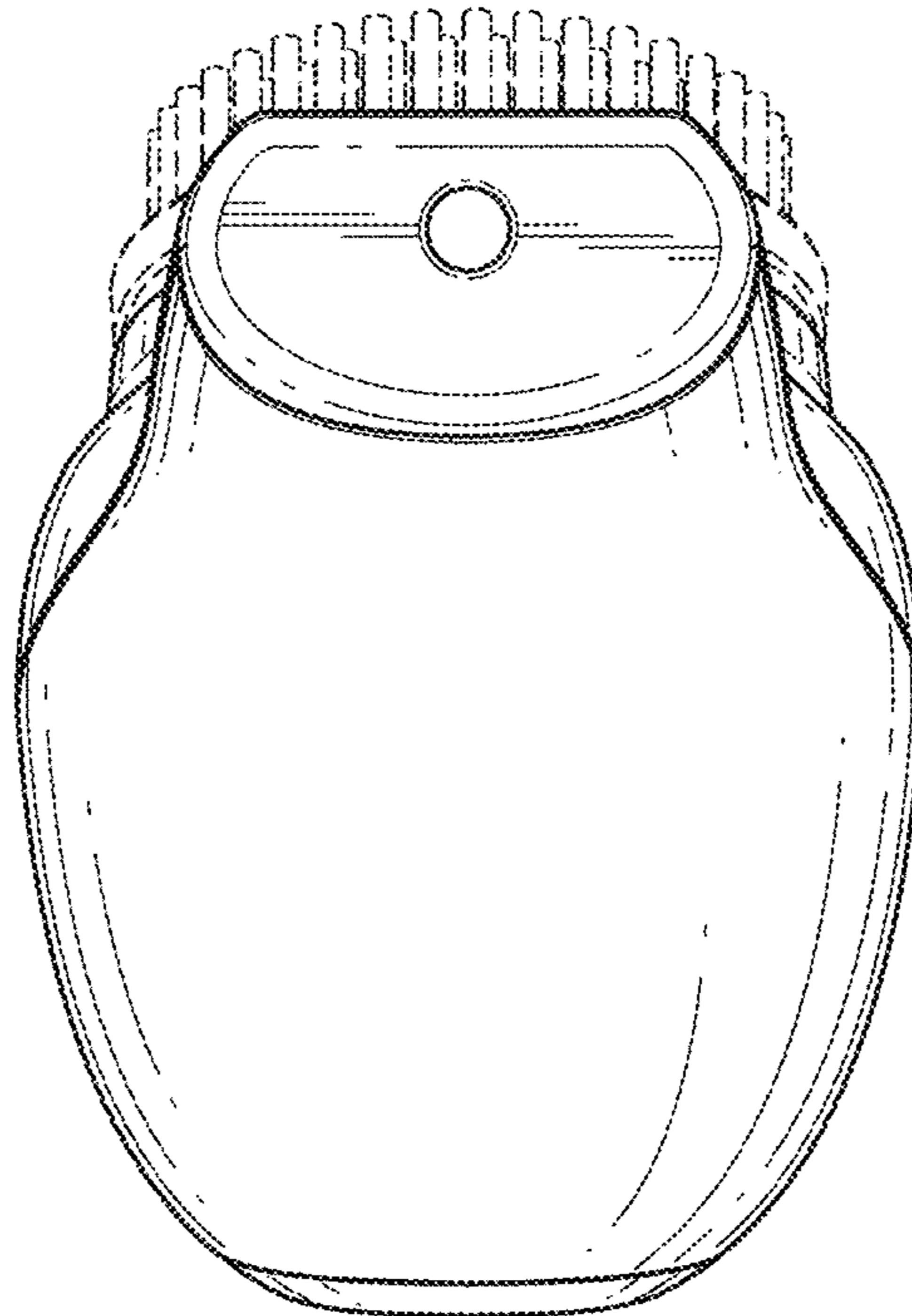


FIG. 8