



US00D873565S

(12) **United States Design Patent** (10) **Patent No.:** **US D873,565 S**
Long (45) **Date of Patent:** **** Jan. 28, 2020**

(54) **BAG** D422,410 S * 4/2000 Bischoff D3/276
D522,749 S * 6/2006 Tortorella D3/299
(71) Applicant: **Weihan Long**, Hunan (CN) D548,967 S * 8/2007 Bell D3/287
7,680,401 B1 * 3/2010 Adelstein A45C 9/00
(72) Inventor: **Weihan Long**, Hunan (CN) 396/1
D678,677 S * 3/2013 Ren'kang D3/290
(73) Assignee: **SHENZHEN JUXING SHIDAI** 2003/0021501 A1 * 1/2003 Blau A45C 3/02
TECHNOLOGY Co., Ltd., Shenzhen, 383/40
Guangdong (CN) 2008/0173507 A1 * 7/2008 Janssen A45C 9/00
190/102

(**) Term: **15 Years**

OTHER PUBLICATIONS

(21) Appl. No.: **29/618,383**
(22) Filed: **Sep. 21, 2017**
(51) **LOC (12) Cl.** **03-01**
(52) **U.S. Cl.**
USPC **D3/290; D3/291**
(58) **Field of Classification Search**
USPC D3/201, 215, 216, 217, 218, 222, 273,
D3/276, 283, 284, 285, 289, 290, 291,
D3/900, 301
CPC A45C 3/02; A45C 2003/008; A45C 5/03;
A45C 2011/003; A45C 2200/05; A45C
2001/006; A45C 1/04; A45C 13/185;
A45C 2200/10; A45C 15/00; A45C 5/06;
A45F 2200/0525; E05G 1/005; E05G
1/00; A62C 3/00
See application file for complete search history.

Amazon, "JUNDUN Fireproof Document Bag . . .", First on sale Aug. 23, 2017. (<https://www.amazon.com/Fireproof-Documents-Resistant-Shoulder-Fiberglass/dp/B0752D49QP>) (Year: 2017).
Amazon, "Spardis XXL (16"x12"x3.5") Fireproof Document Bag with Locking Zipper . . .", First on sale Sep. 11, 2017. (<https://www.amazon.com/dp/B075K2L79T/>) (Year: 2017).*

* cited by examiner

Primary Examiner — April Rivas
(74) *Attorney, Agent, or Firm* — Justin Lampel

(57) **CLAIM**

The ornamental design for bag, as shown and described.

DESCRIPTION

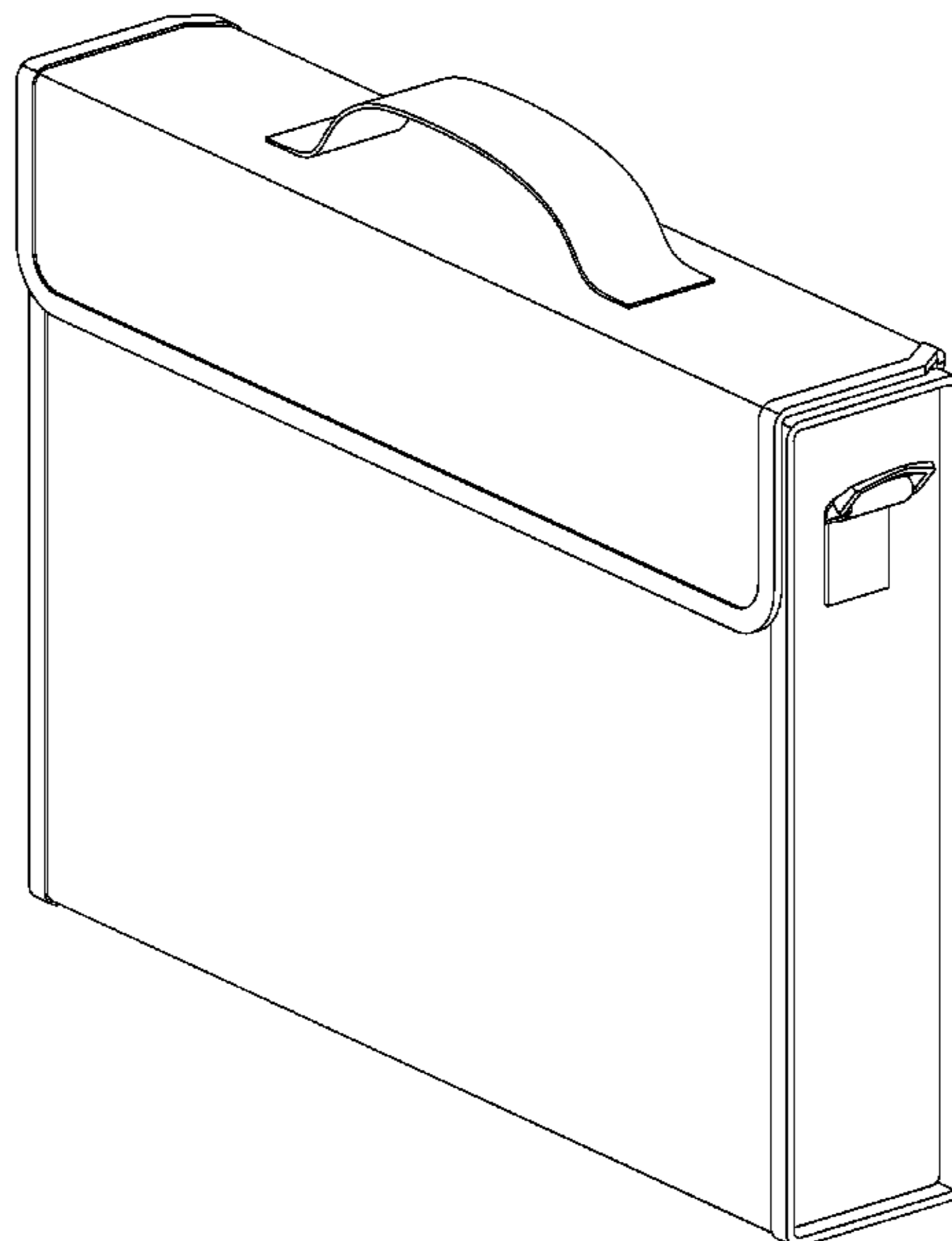
FIG. 1 is a perspective view of a bag showing my new design;
FIG. 2 is a front elevational view thereof;
FIG. 3 is a rear elevational view thereof;
FIG. 4 is a right side view thereof;
FIG. 5 is a left side view thereof;
FIG. 6 is a bottom plan view thereof; and,
FIG. 7 is a top plan view thereof.

1 Claim, 7 Drawing Sheets

(56) **References Cited**

U.S. PATENT DOCUMENTS

4,515,493 A * 5/1985 Radovich A45C 3/02
150/110
5,127,500 A * 7/1992 Mitchell A45C 3/02
16/111.1
D338,104 S * 8/1993 Lee D3/287
5,286,112 A * 2/1994 Bible A45C 13/10
24/306
D360,075 S * 7/1995 Cross D3/276



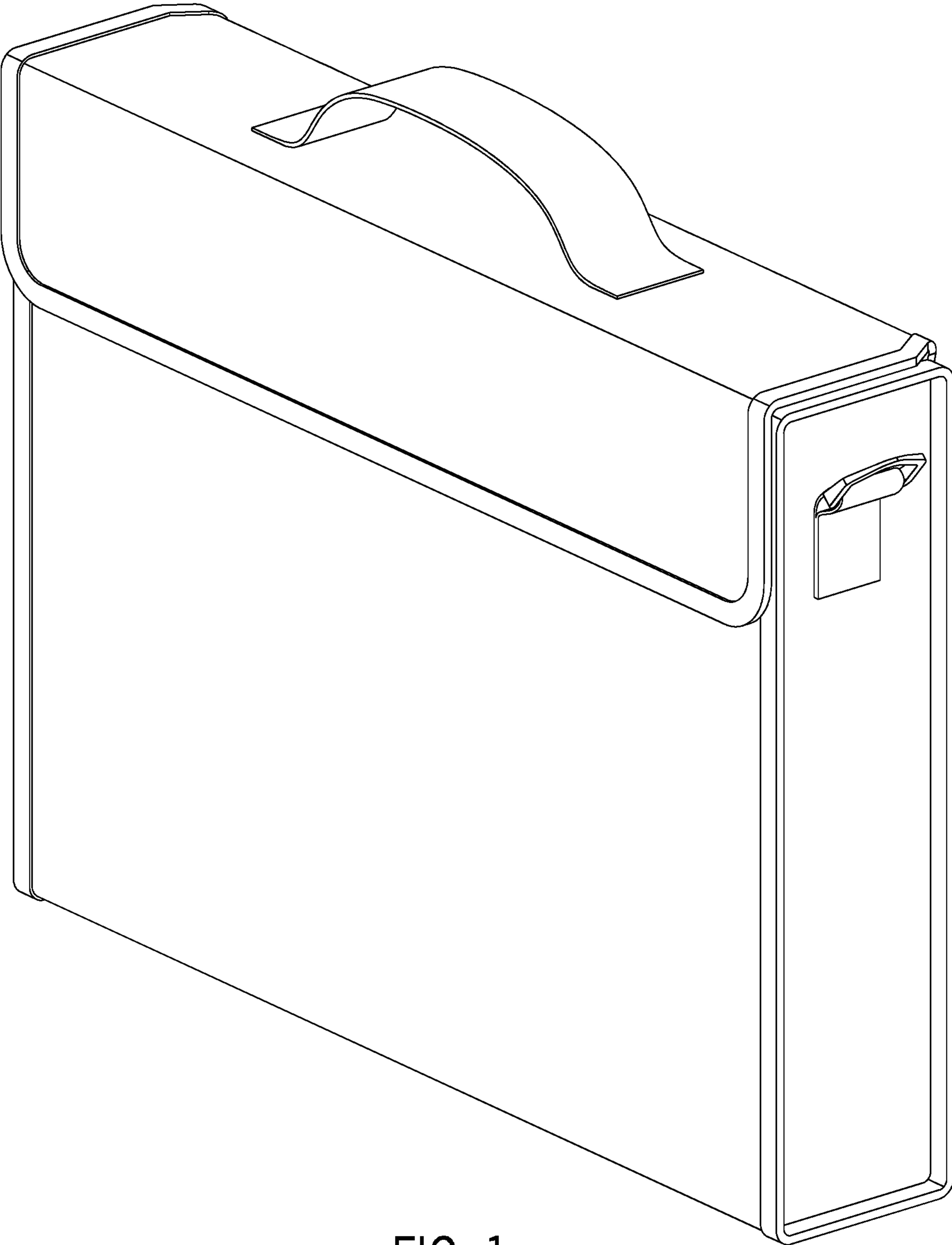


FIG. 1

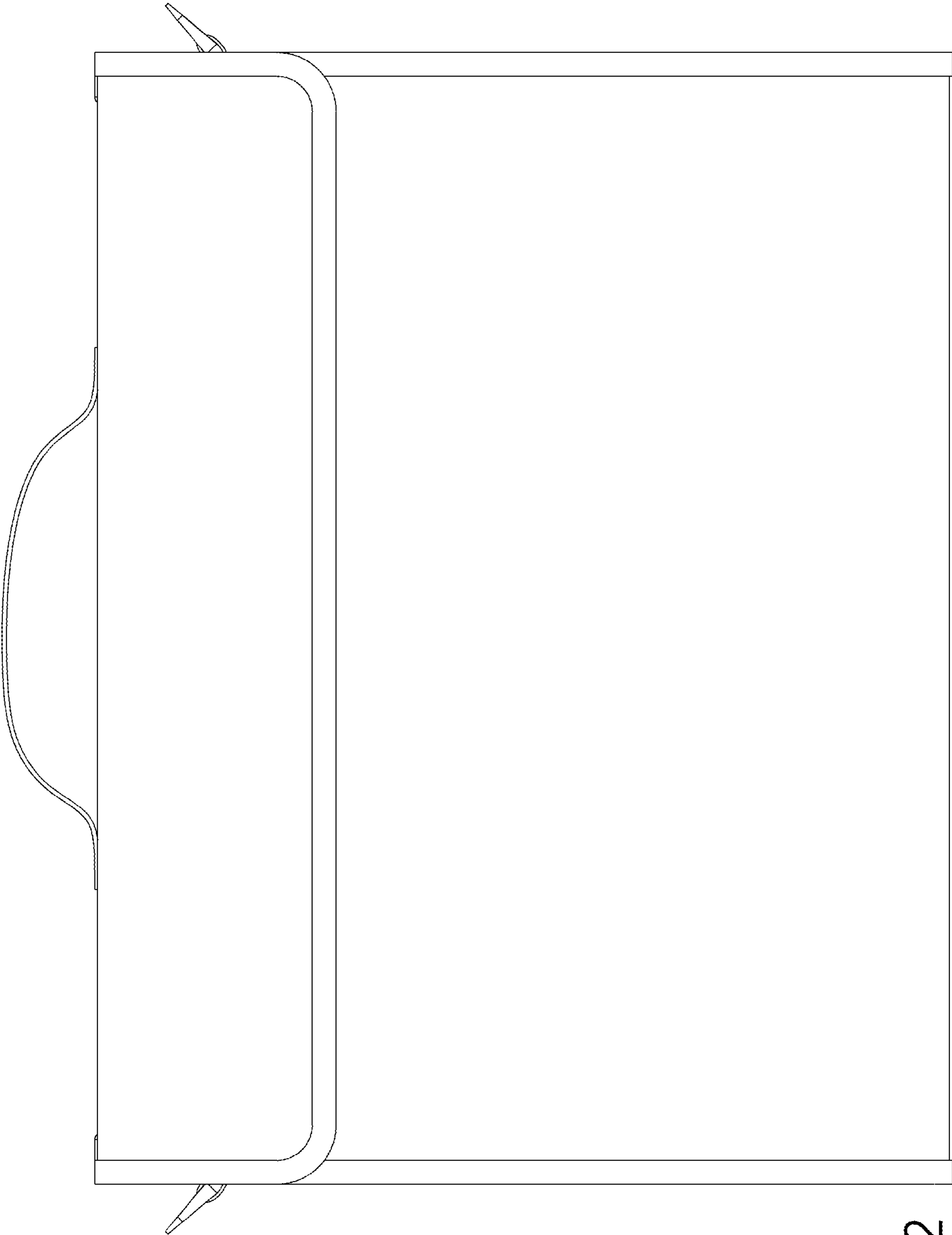


FIG. 2

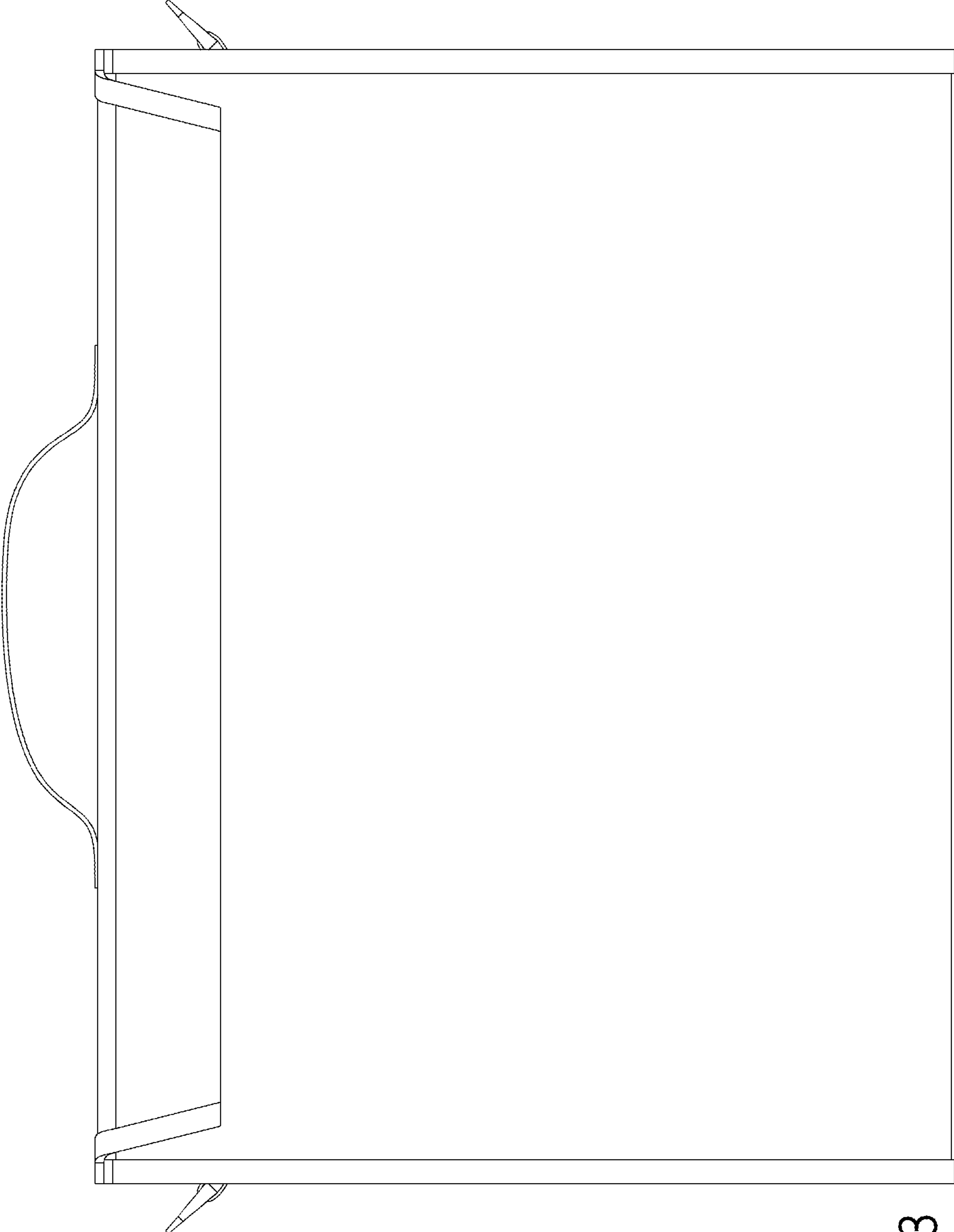


FIG. 3

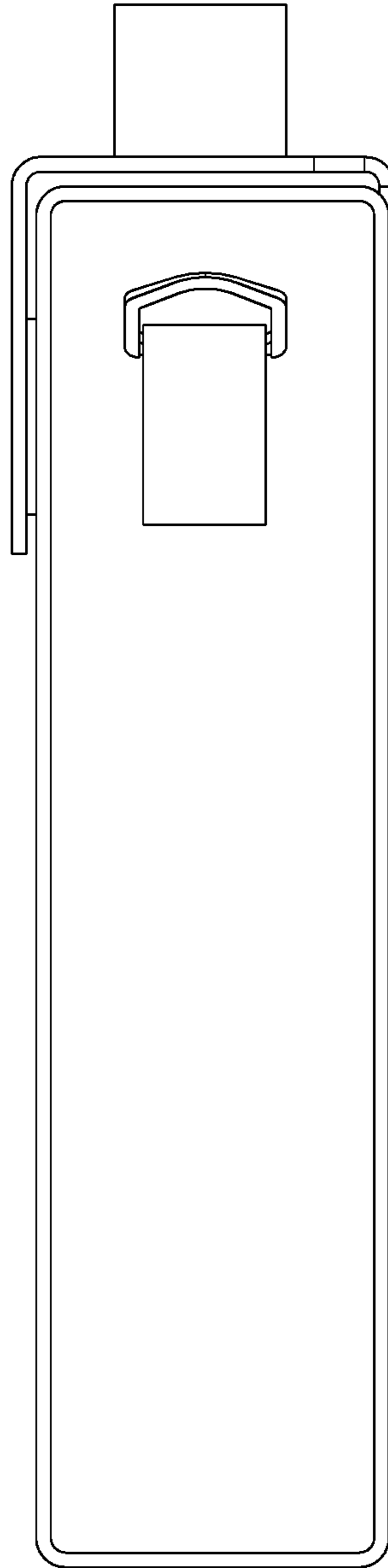


FIG. 4

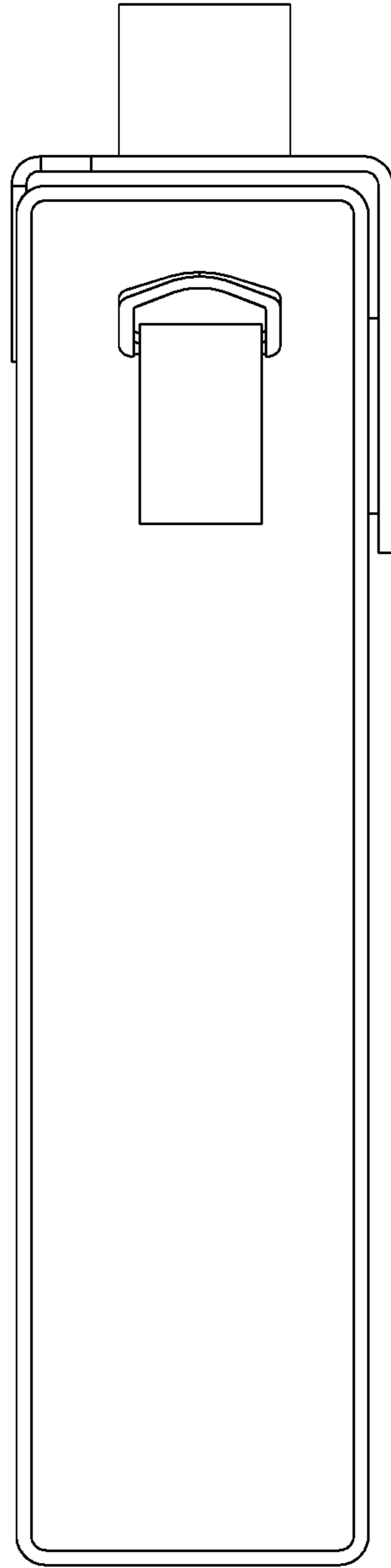


FIG. 5

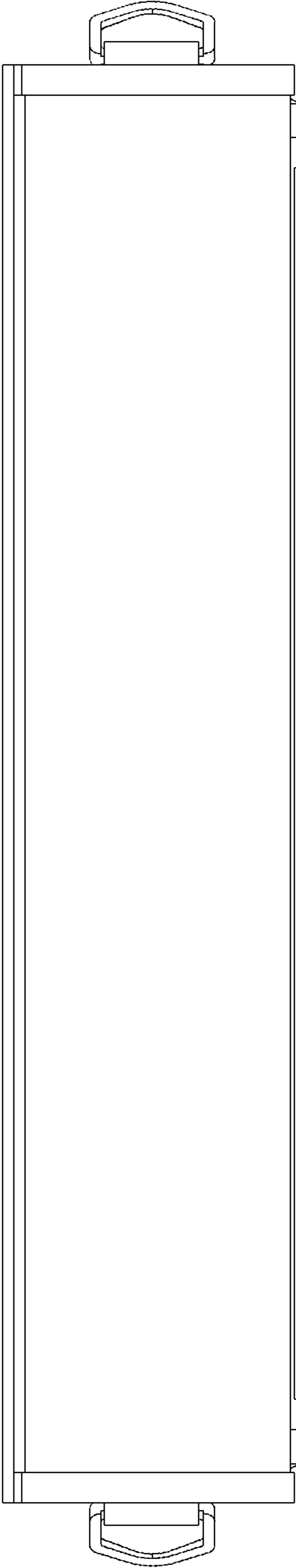


FIG. 6

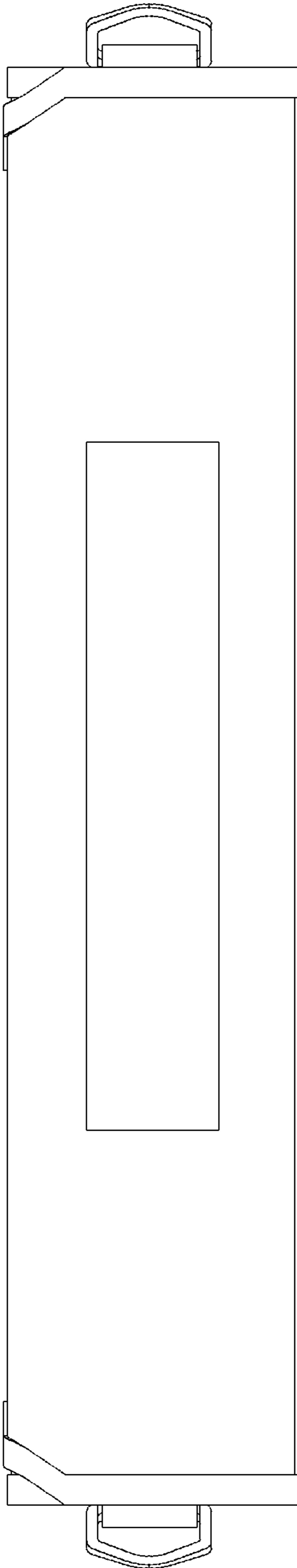


FIG. 7