



US00D873563S

(12) **United States Design Patent**  
**Chen**

(10) **Patent No.:** **US D873,563 S**

(45) **Date of Patent:** **\*\* Jan. 28, 2020**

(54) **HANDBAG**

D368,370 S \* 4/1996 Tawil ..... D3/276  
D534,348 S \* 1/2007 Guyon ..... D3/243  
D770,175 S \* 11/2016 Michele ..... D3/243

(71) Applicant: **Bihua Chen**, Putian (CN)

\* cited by examiner

(72) Inventor: **Bihua Chen**, Putian (CN)

*Primary Examiner* — Holly H Baynham

(\*\*) Term: **15 Years**

(57) **CLAIM**

(21) Appl. No.: **29/660,580**

The ornamental design for a handbag, as shown and described.

(22) Filed: **Aug. 21, 2018**

**DESCRIPTION**

(51) **LOC (12) Cl.** ..... **03-01**

(52) **U.S. Cl.**  
USPC ..... **D3/243**

(58) **Field of Classification Search**  
USPC ..... D3/232–233, 240–243, 245–246  
CPC ..... A45C 1/024; A45C 3/06  
See application file for complete search history.

FIG. 1 is a front elevational view of a handbag showing my new design;

FIG. 2 is a rear elevational view thereof;

FIG. 3 is a left side elevational view thereof;

FIG. 4 is a right side elevational view thereof; and,

FIG. 5 is a bottom plan view thereof.

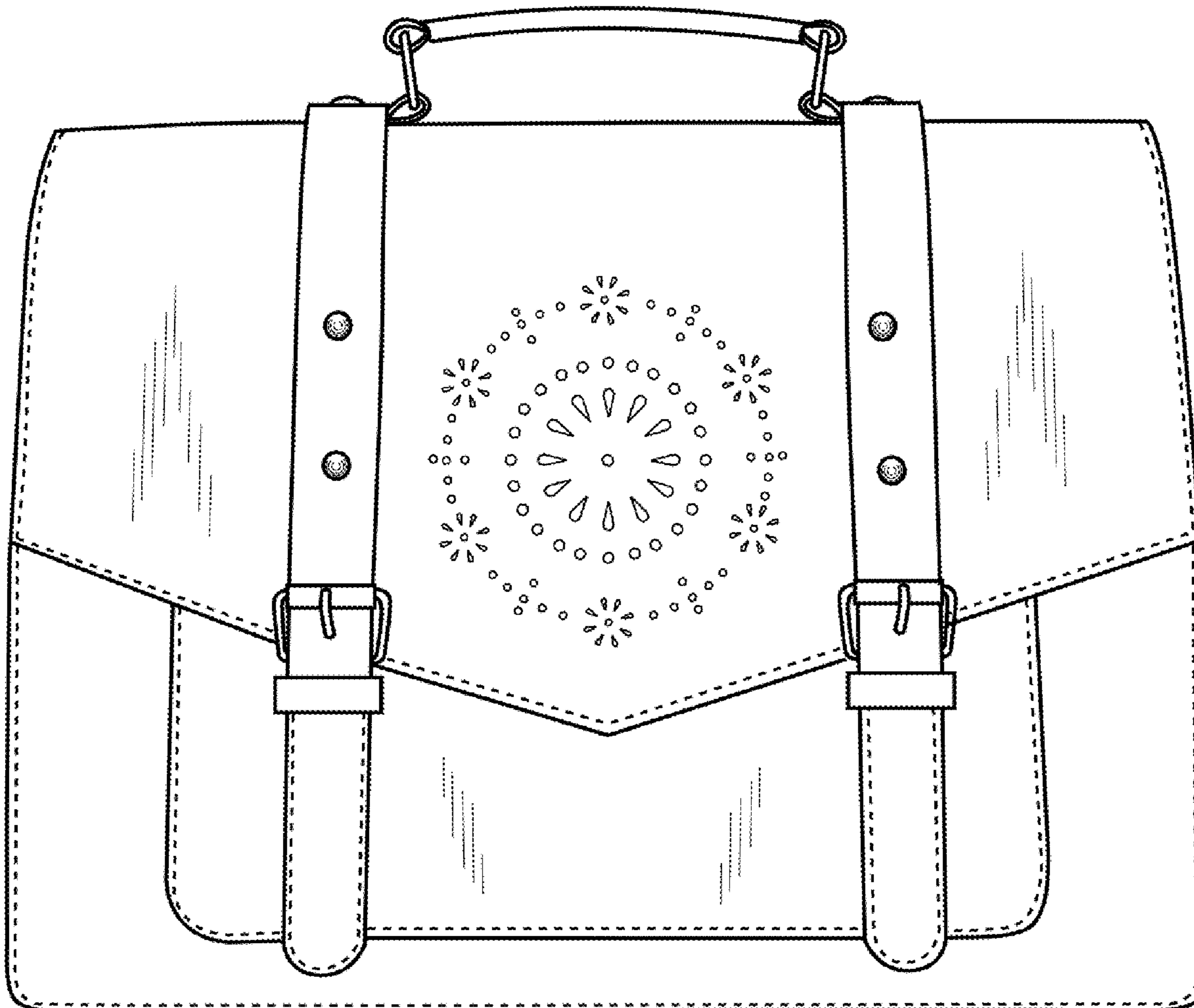
The claimed design is shown in the figures by solid lines as well as by dashed lines that represent stitching. The dotted lines shown in the FIG. 2 are for illustrative purposes only and form no part of the claimed design.

(56) **References Cited**

**U.S. PATENT DOCUMENTS**

D260,200 S \* 8/1981 Siegel ..... D3/243  
D356,678 S \* 3/1995 Tawil ..... D3/276

**1 Claim, 5 Drawing Sheets**



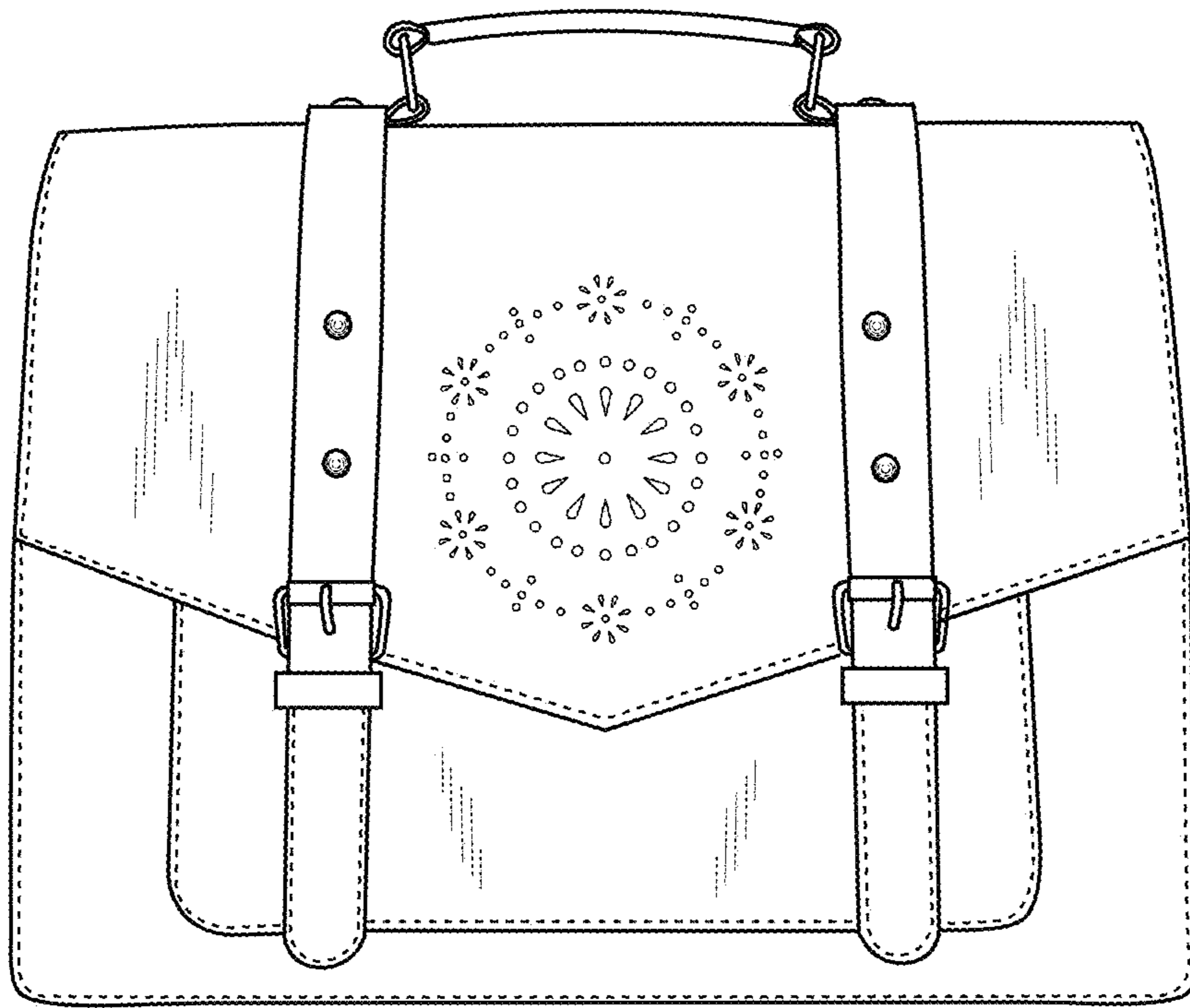


FIG. 1

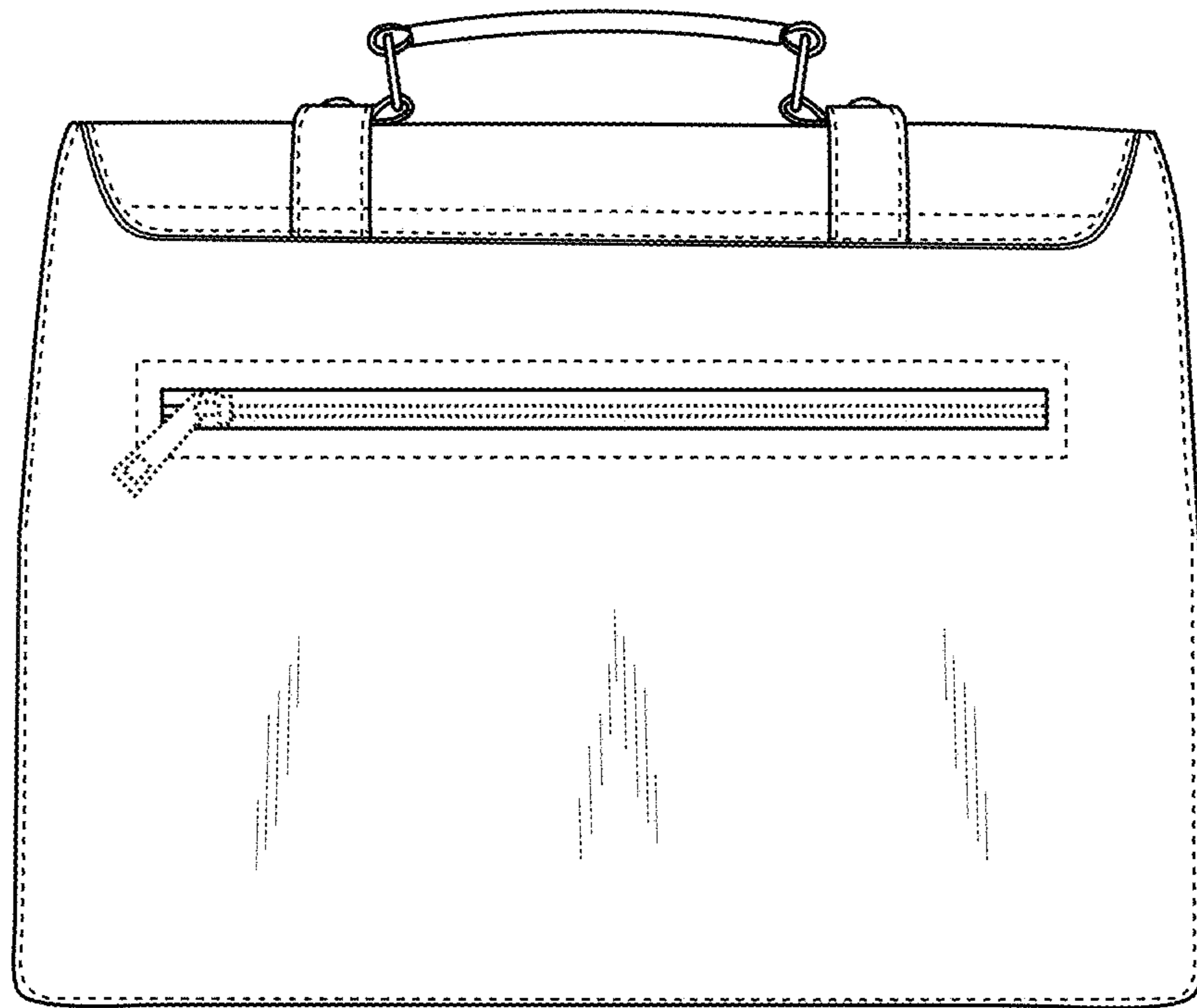


FIG.2

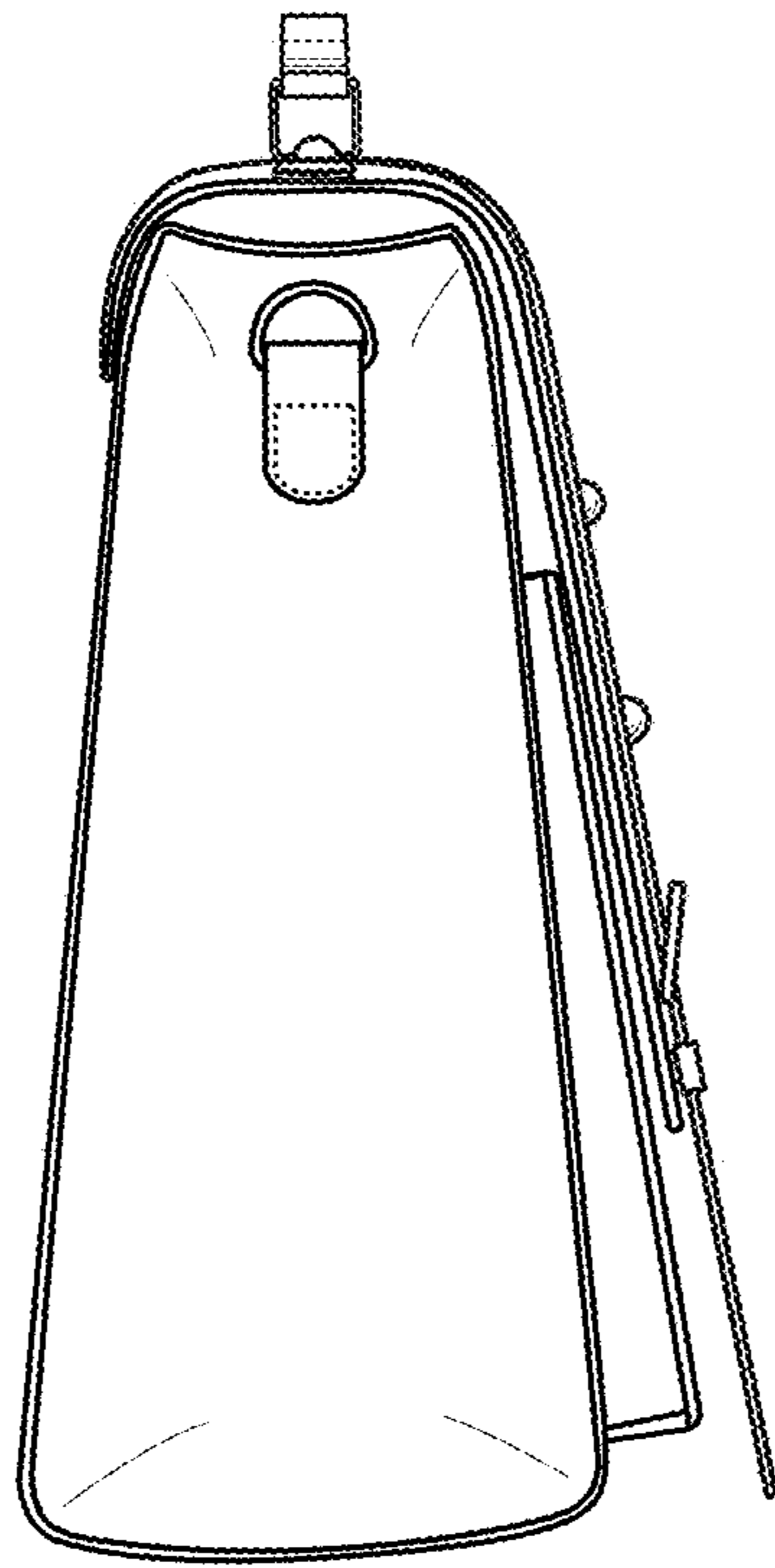


FIG.3

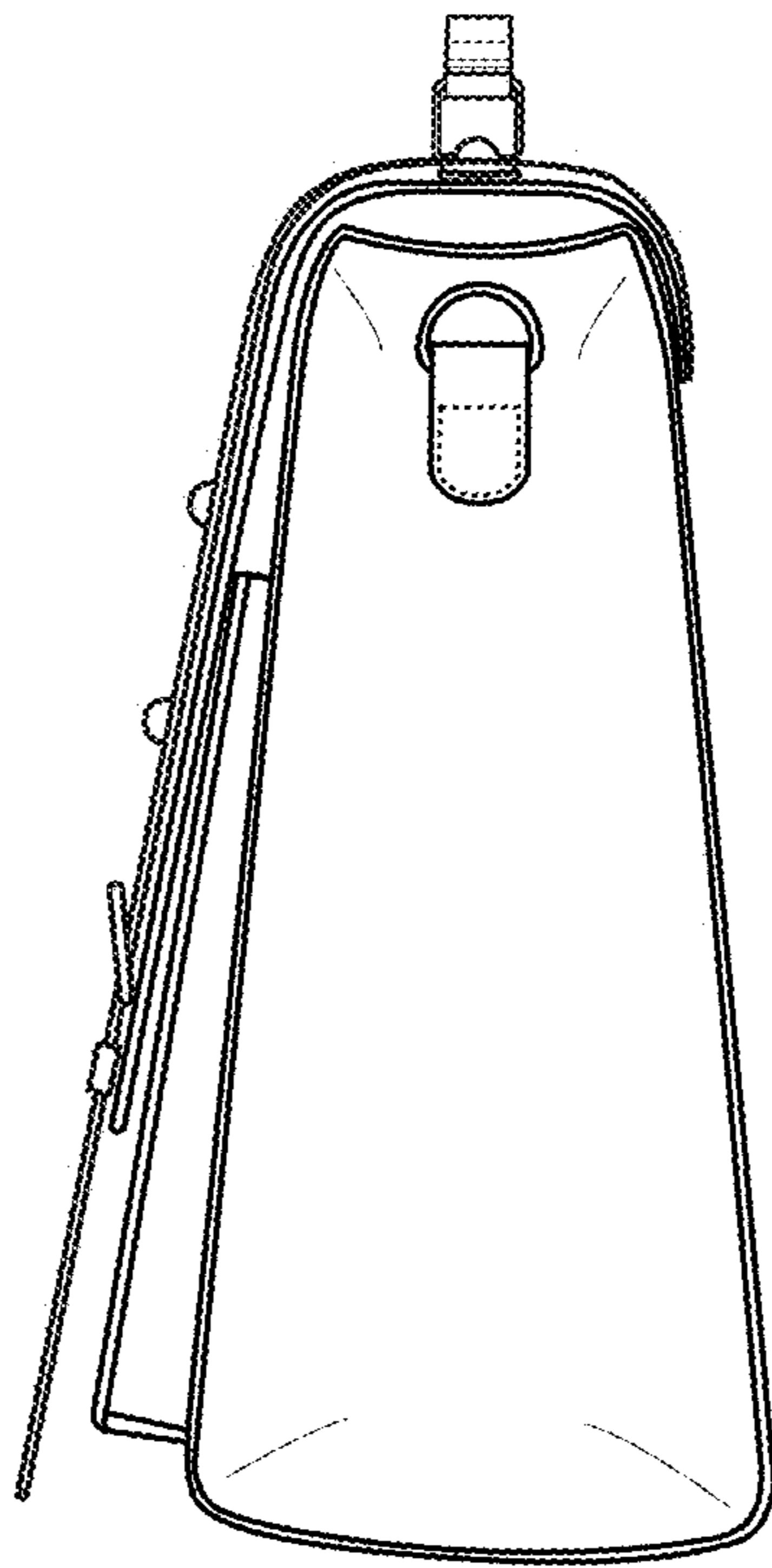


FIG.4

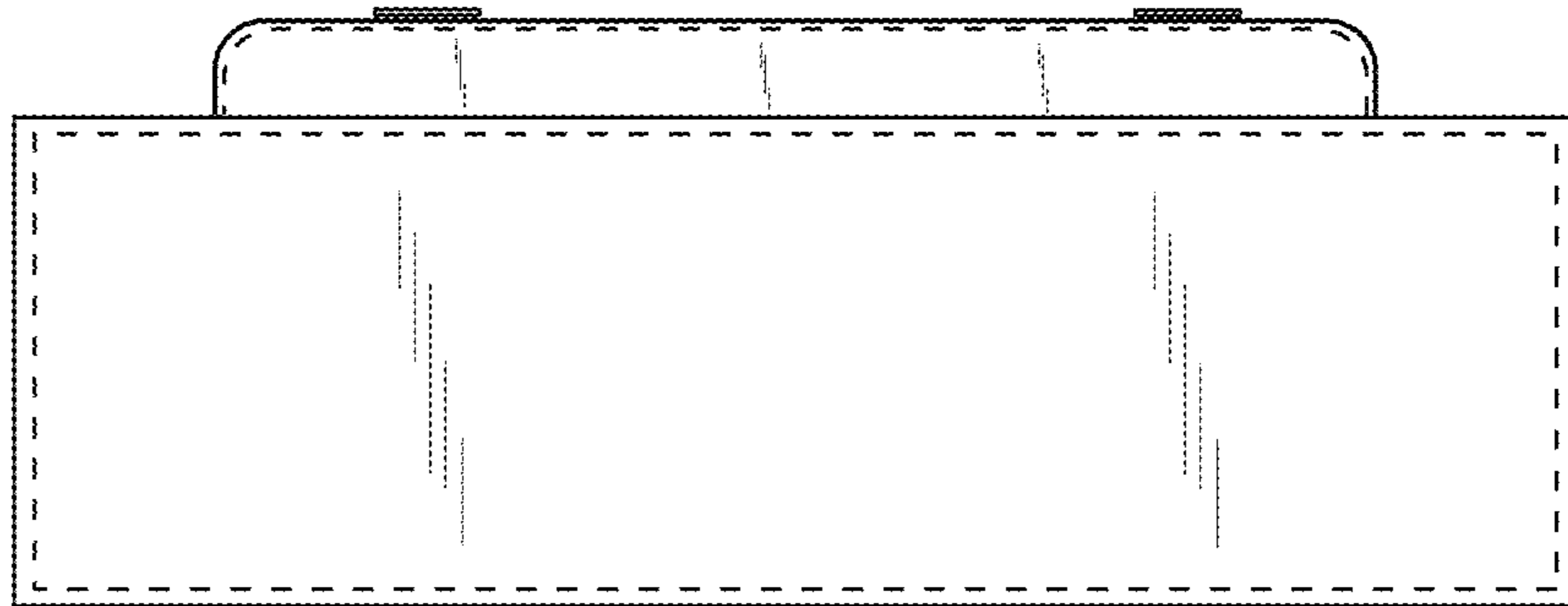


FIG. 5