



US00D873562S

(12) **United States Design Patent**  
**Chiuri**

(10) **Patent No.:** **US D873,562 S**  
(45) **Date of Patent:** **\*\* Jan. 28, 2020**

(54) **HANDBAG**

(71) Applicant: **CHRISTIAN DIOR COUTURE**, Paris (FR)

(72) Inventor: **Maria Grazia Chiuri**, Paris (FR)

(\*\*) Term: **15 Years**

(21) Appl. No.: **35/503,463**

(22) Filed: **Apr. 20, 2017**

(80) **Hague Agreement Data**

Int. Filing Date: **Apr. 20, 2017**

Int. Reg. No.: **DM/096982**

Int. Reg. Date: **Apr. 20, 2017**

Int. Reg. Pub. Date: **Aug. 4, 2017**

(51) **LOC (12) Cl.** ..... **03-01**

(52) **U.S. Cl.**  
USPC ..... **D3/232**

(58) **Field of Classification Search**  
USPC ..... D2/232, 233, 239, 240, 241, 242, 243,  
D2/245, 246; D3/232, 233, 239, 240,  
D3/241, 242, 243, 245, 246  
CPC ..... A45C 3/04; A45C 2200/10; A45C 3/001;  
A45C 7/0086; A45C 13/02; A45C 13/10;  
A45C 13/103; A45C 13/18; A45C  
2003/007; A45C 3/06; A45C 5/02  
See application file for complete search history.

(56) **References Cited**

**U.S. PATENT DOCUMENTS**

- 4,153,092 A \* 5/1979 Haslam ..... A45C 3/00  
150/108
- 4,856,570 A \* 8/1989 Rushing ..... A45C 3/00  
150/103
- 5,046,860 A \* 9/1991 Brennan ..... A45C 3/04  
150/111
- 6,283,183 B1 \* 9/2001 Cooper ..... A45C 3/06  
150/112
- D504,227 S \* 4/2005 Delafontaine ..... D3/233
- D513,867 S \* 1/2006 Stulman ..... D3/243

- D530,508 S \* 10/2006 Delafontaine ..... D3/243
- D543,355 S \* 5/2007 Gonzalez ..... D3/243
- D583,148 S \* 12/2008 Stulman ..... D3/232
- D600,909 S \* 9/2009 Crook ..... D3/232
- D654,267 S \* 2/2012 Littleton ..... D3/243
- D729,514 S \* 5/2015 Della Valle ..... D3/232
- D765,394 S \* 9/2016 Moore ..... D3/233
- D765,969 S \* 9/2016 Bonesi ..... D3/243
- D770,176 S \* 11/2016 Guyon ..... D3/243
- D781,054 S \* 3/2017 Quenson Maniez De La  
Hennerie ..... D3/243
- D787,181 S \* 5/2017 Gale ..... D3/245
- D787,818 S \* 5/2017 Gerbelle ..... D3/243
- D792,091 S \* 7/2017 Sassi ..... D3/232
- D795,573 S \* 8/2017 Bonesi ..... D3/245
- D799,818 S \* 10/2017 Nair ..... D3/243
- 9,902,548 B2 \* 2/2018 Seiders ..... B65D 81/389
- D818,706 S \* 5/2018 Maier ..... D3/232

(Continued)

*Primary Examiner* — Jennifer L Watkins

(57) **CLAIM**

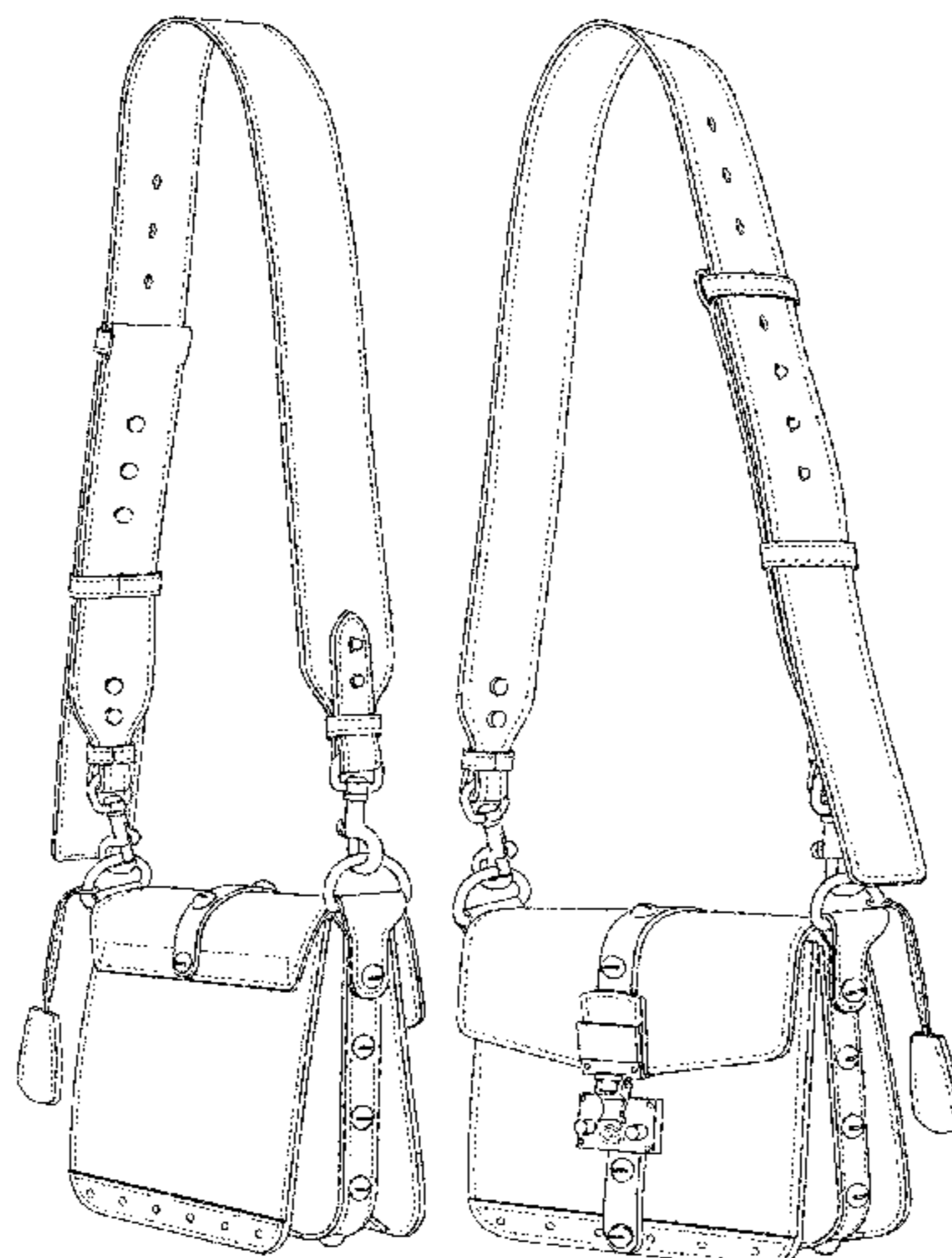
The ornamental design for a handbag, as shown and described.

**DESCRIPTION**

- 2.1** is a front view of a handbag showing my new design;
- 2.2** is a rear view thereof;
- 2.3** is a left, front perspective view thereof;
- 2.4** is a right, rear perspective view thereof;
- 2.5** is a right side view thereof;
- 2.6** is a left view thereof;
- 2.7** is a top view thereof; and
- 2.8** is a bottom view thereof.

The broken line showing a central circular portion on the rear of the handbag in figures **2.2** and **2.4-2.6** is for the purpose of depicting a portion of the handbag and forms no part of the claim. The evenly dashed broken lines on the edges of claimed surfaces in figures **2.1-2.8** are for the purpose of depicting claimed stitching.

**1 Claim, 6 Drawing Sheets**



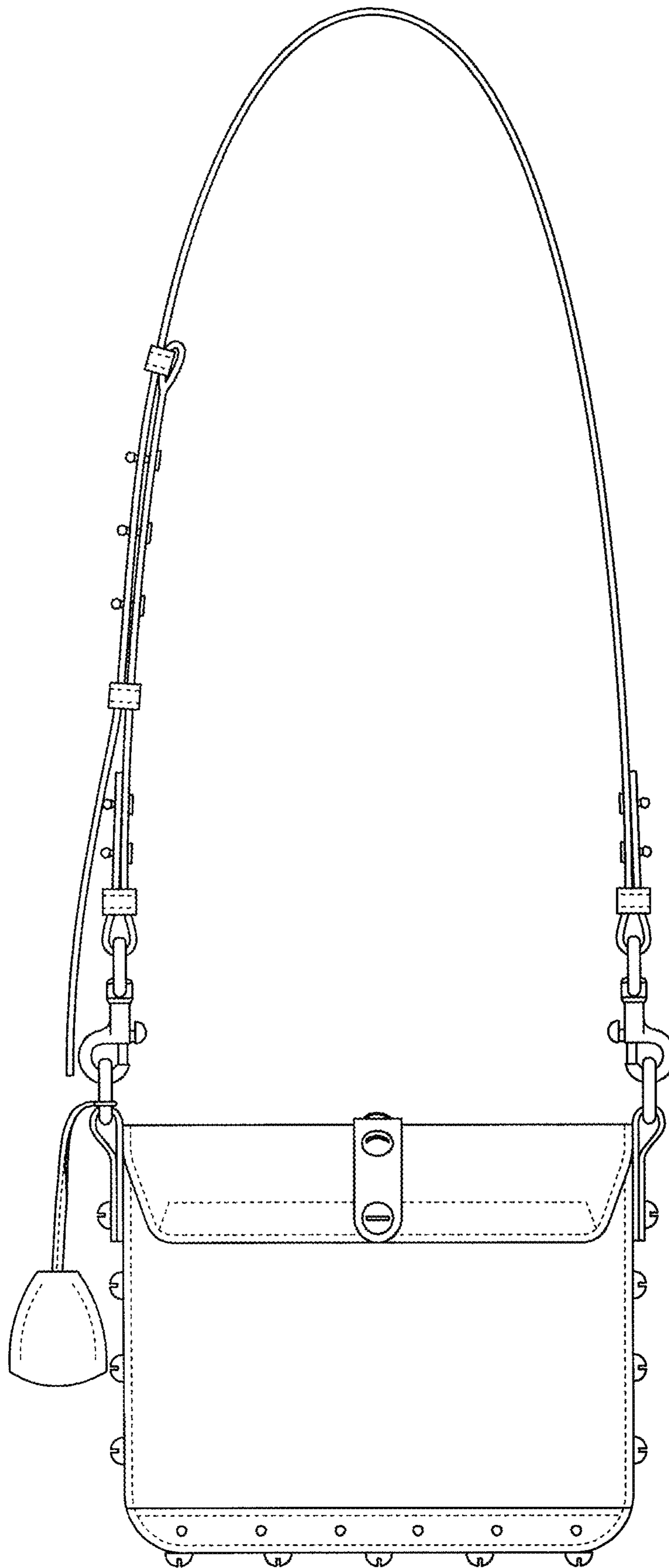
(56)

**References Cited**

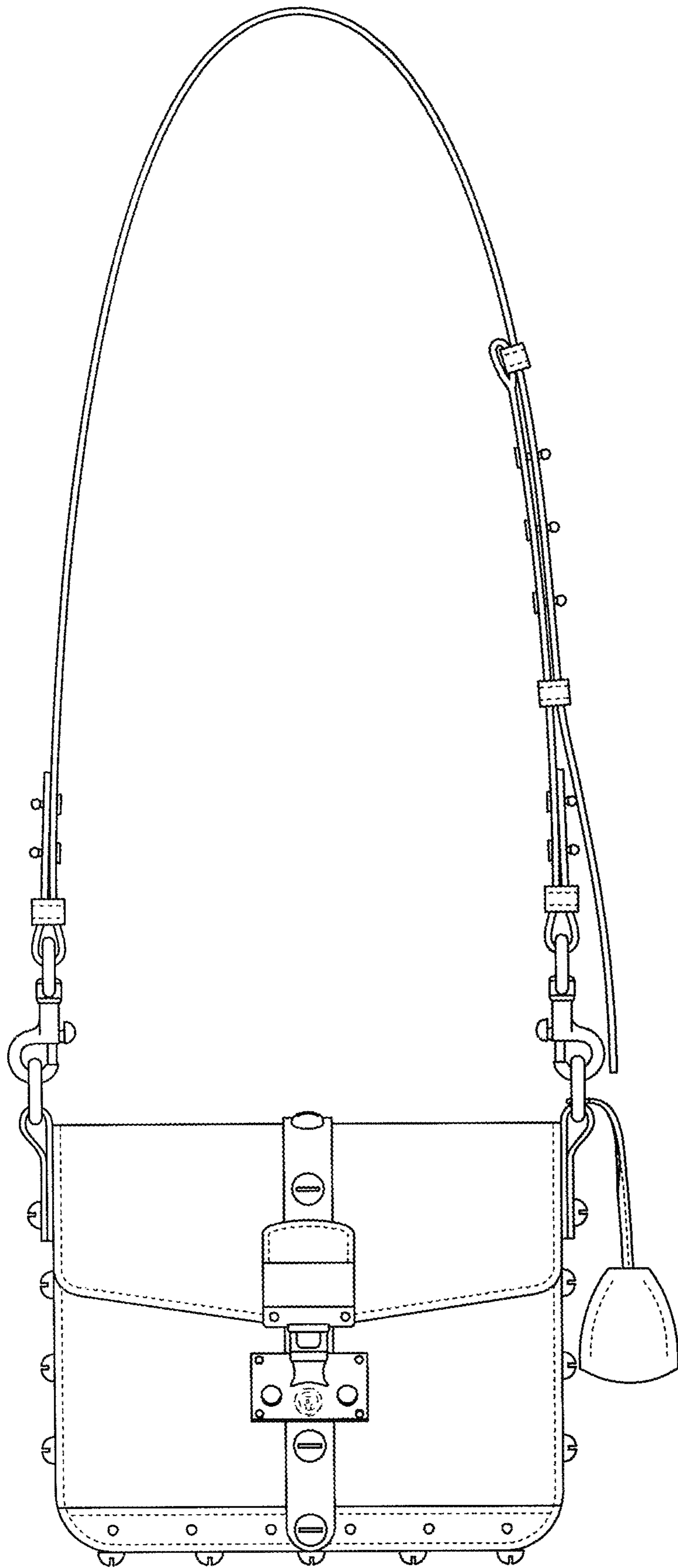
U.S. PATENT DOCUMENTS

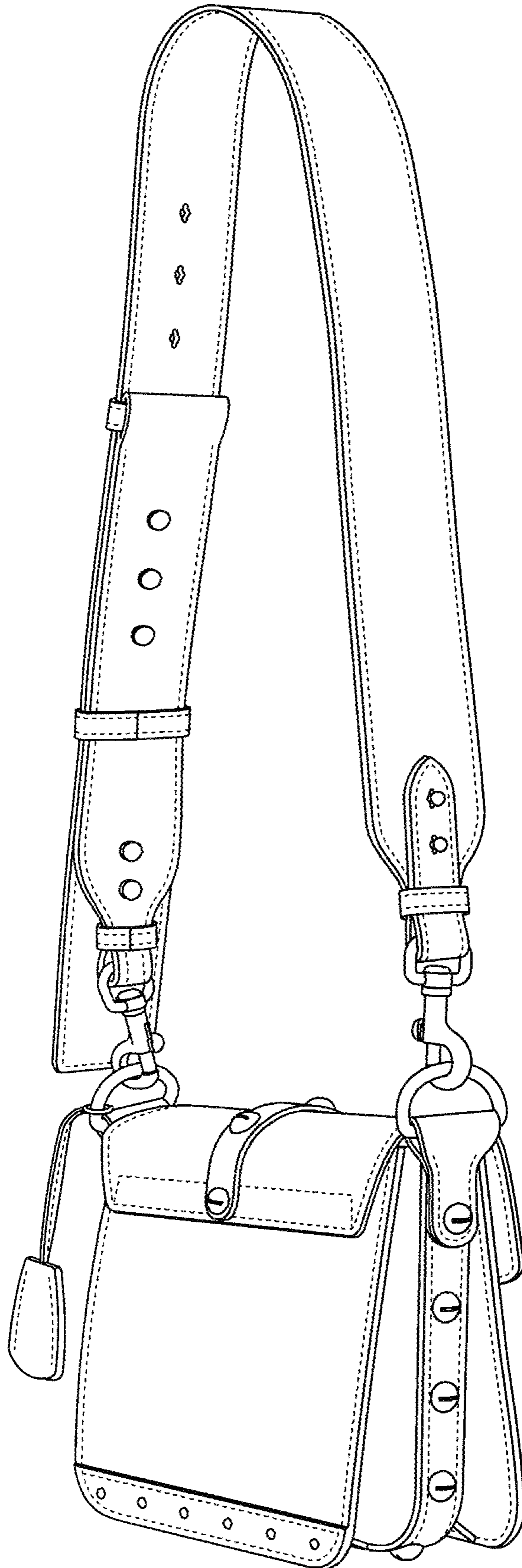
2008/0230158 A1\* 9/2008 Romero ..... A45C 3/08  
150/105

\* cited by examiner

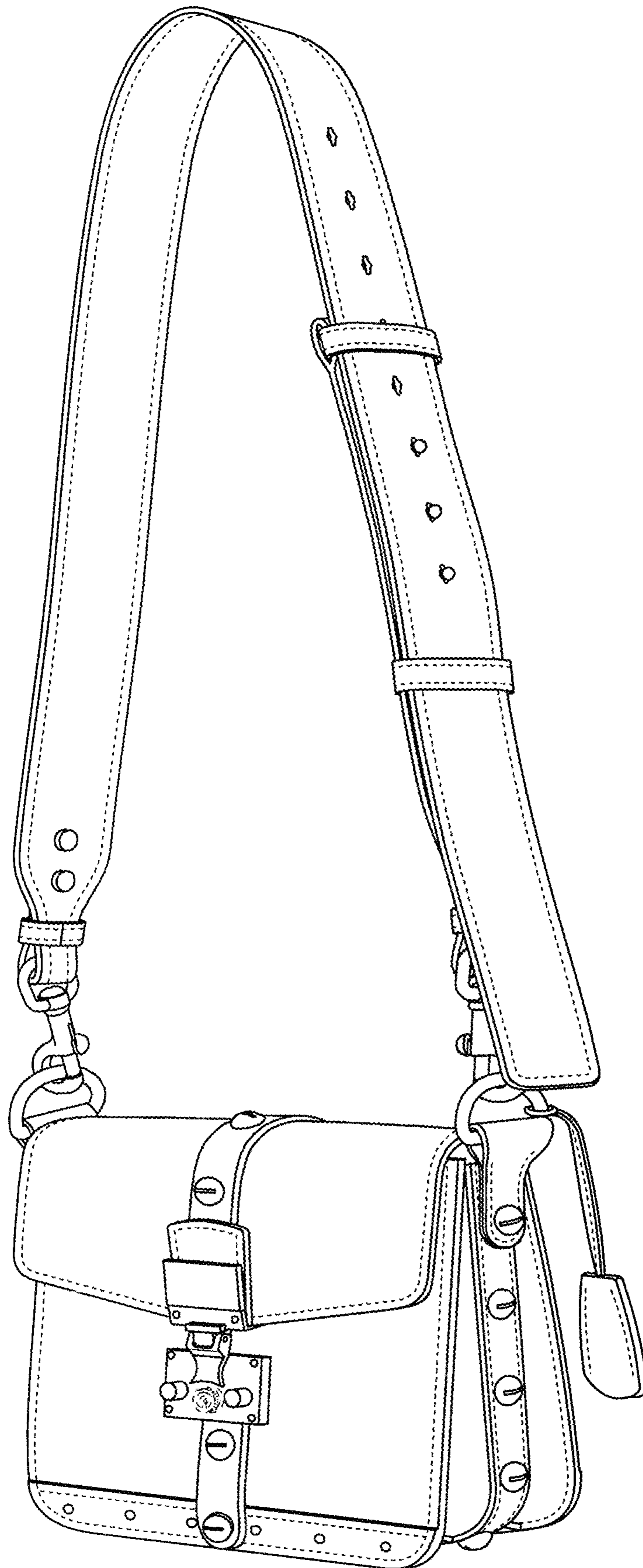


2.1

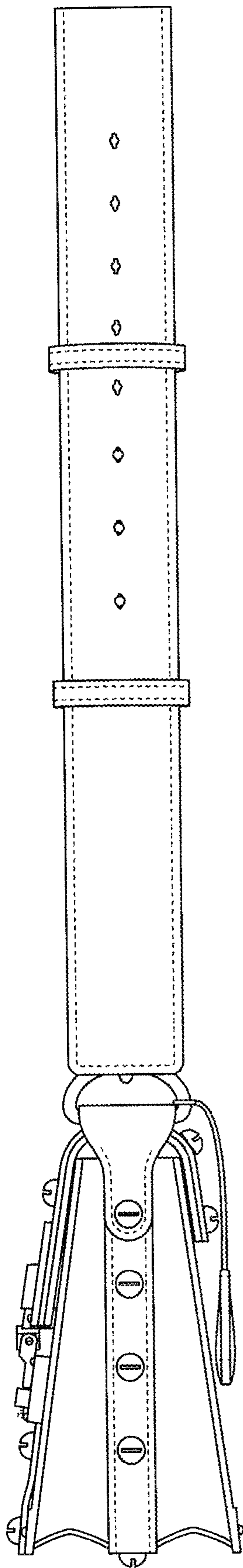




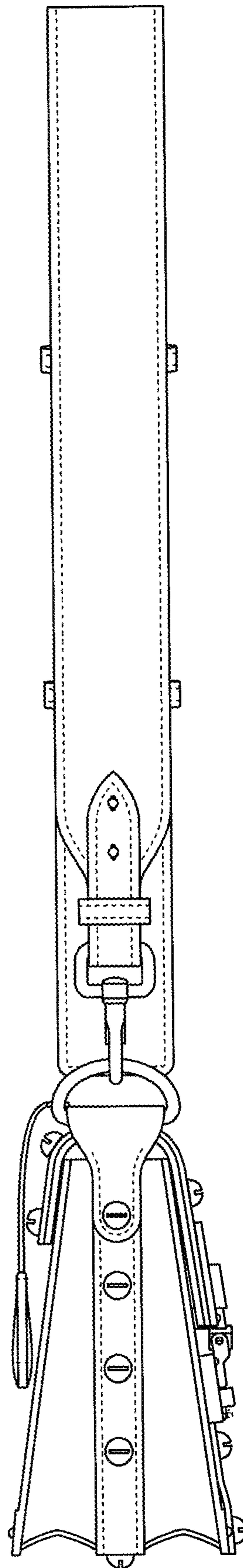
2.3



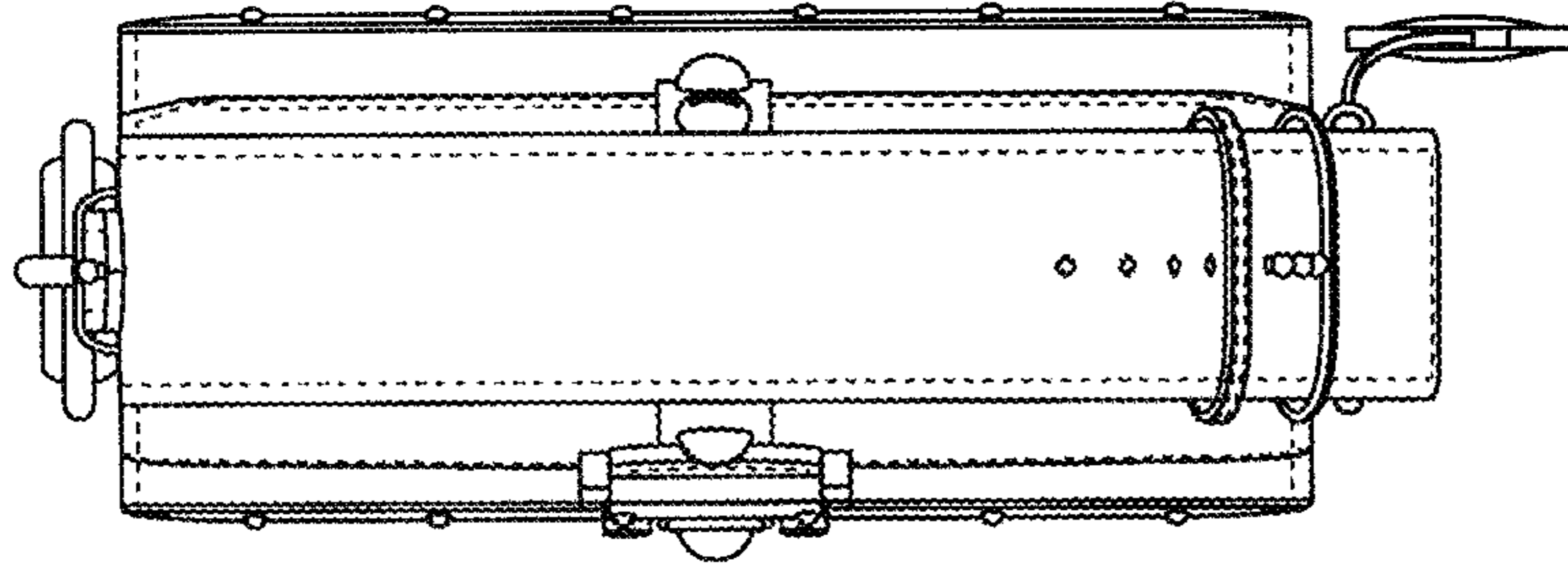
2.4



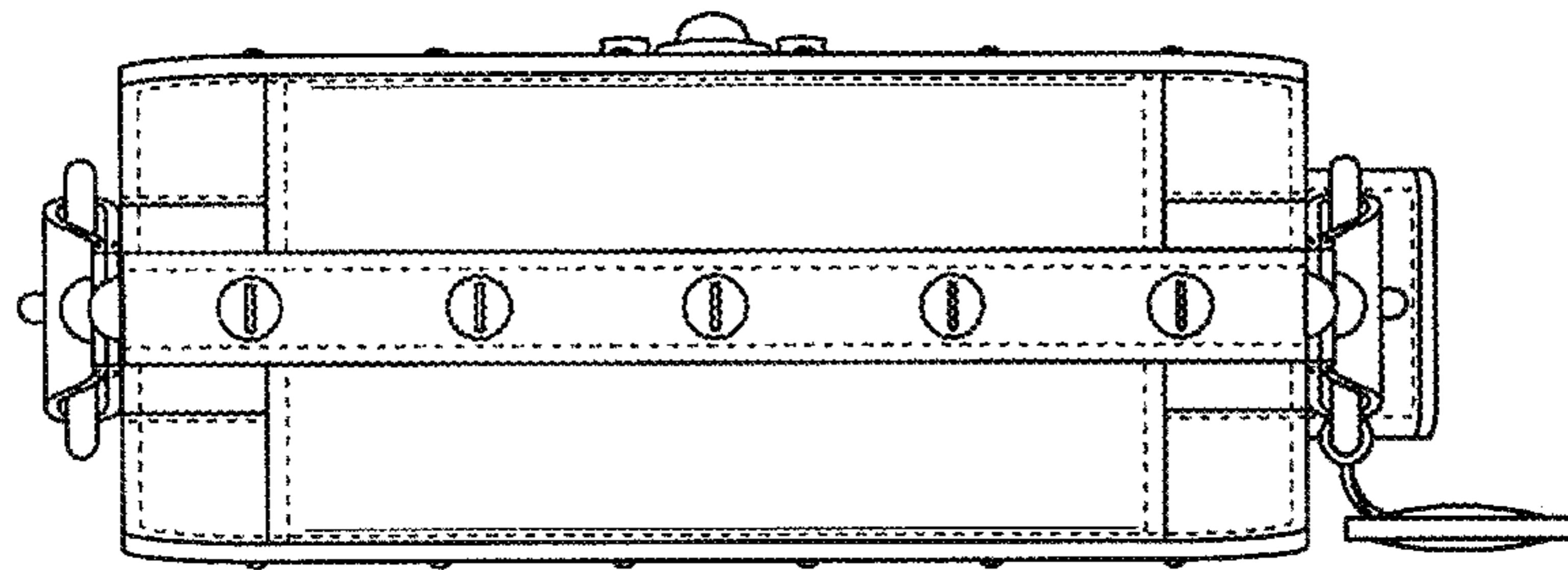
2.5



2.6



2.7



2.8