



US00D873561S

(12) **United States Design Patent**  
**Hubbell**

(10) **Patent No.:** **US D873,561 S**  
(45) **Date of Patent:** **\*\* Jan. 28, 2020**

(54) **CLUTCH PURSE**

(71) Applicant: **Carrie Elizabeth Hubbell**,  
Montoloking, NJ (US)

(72) Inventor: **Carrie Elizabeth Hubbell**,  
Montoloking, NJ (US)

(73) Assignee: **Carrie Dunham, LLC**, New York, NY  
(US)

(\*\*) Term: **15 Years**

(21) Appl. No.: **29/661,358**

(22) Filed: **Aug. 27, 2018**

(51) **LOC (12) Cl.** ..... **03-01**

(52) **U.S. Cl.**  
USPC ..... **D3/232**

(58) **Field of Classification Search**  
USPC ..... D3/232-233, 240-243, 245-246

CPC ..... A45C 1/024; A45C 3/06  
See application file for complete search history.

(56) **References Cited**

U.S. PATENT DOCUMENTS

D162,490 S \* 3/1951 Sundberg et al. .... D3/242  
D836,341 S \* 12/2018 Kite ..... D3/318

\* cited by examiner

*Primary Examiner* — Holly H Baynham

(74) *Attorney, Agent, or Firm* — Boag | Law, PLLC

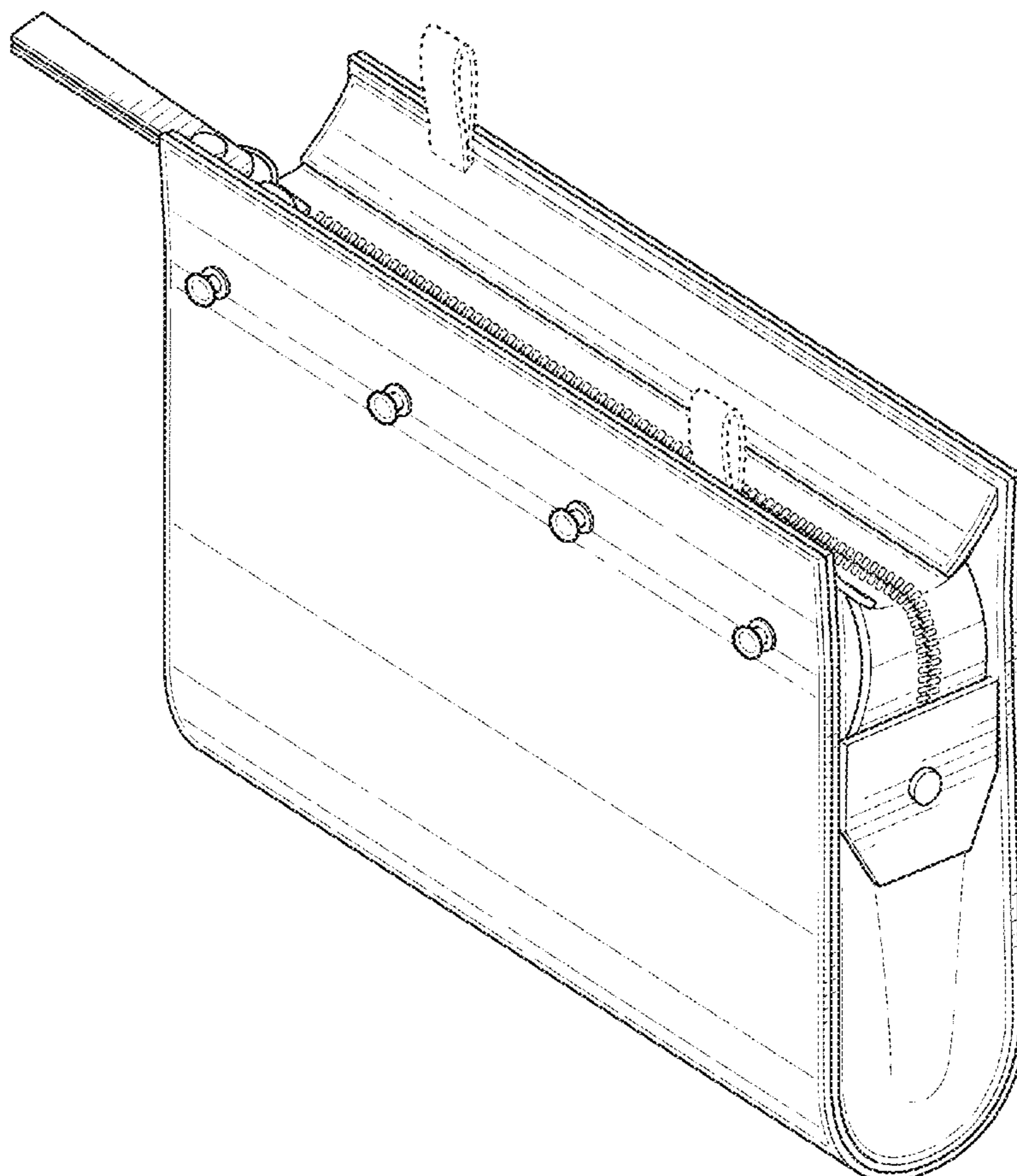
(57) **CLAIM**

The ornamental design for a clutch purse, as shown and described.

**DESCRIPTION**

FIG. 1 is a perspective view of a handbag showing my new design;  
FIG. 2 is a front elevation view thereof;  
FIG. 3 is a rear elevation view thereof;  
FIG. 4 is a left side elevation view thereof;  
FIG. 5 is a right side elevation view thereof;  
FIG. 6 is a top planar view thereof;  
FIG. 7 is a bottom planar view thereof; and,  
FIG. 8 is a perspective view thereof with a cover attached thereto, in an alternate configuration of use.  
The broken lines showing elements of the purse and a cover are for the purposes of illustrating environment and form no part of the claimed design.

**1 Claim, 6 Drawing Sheets**



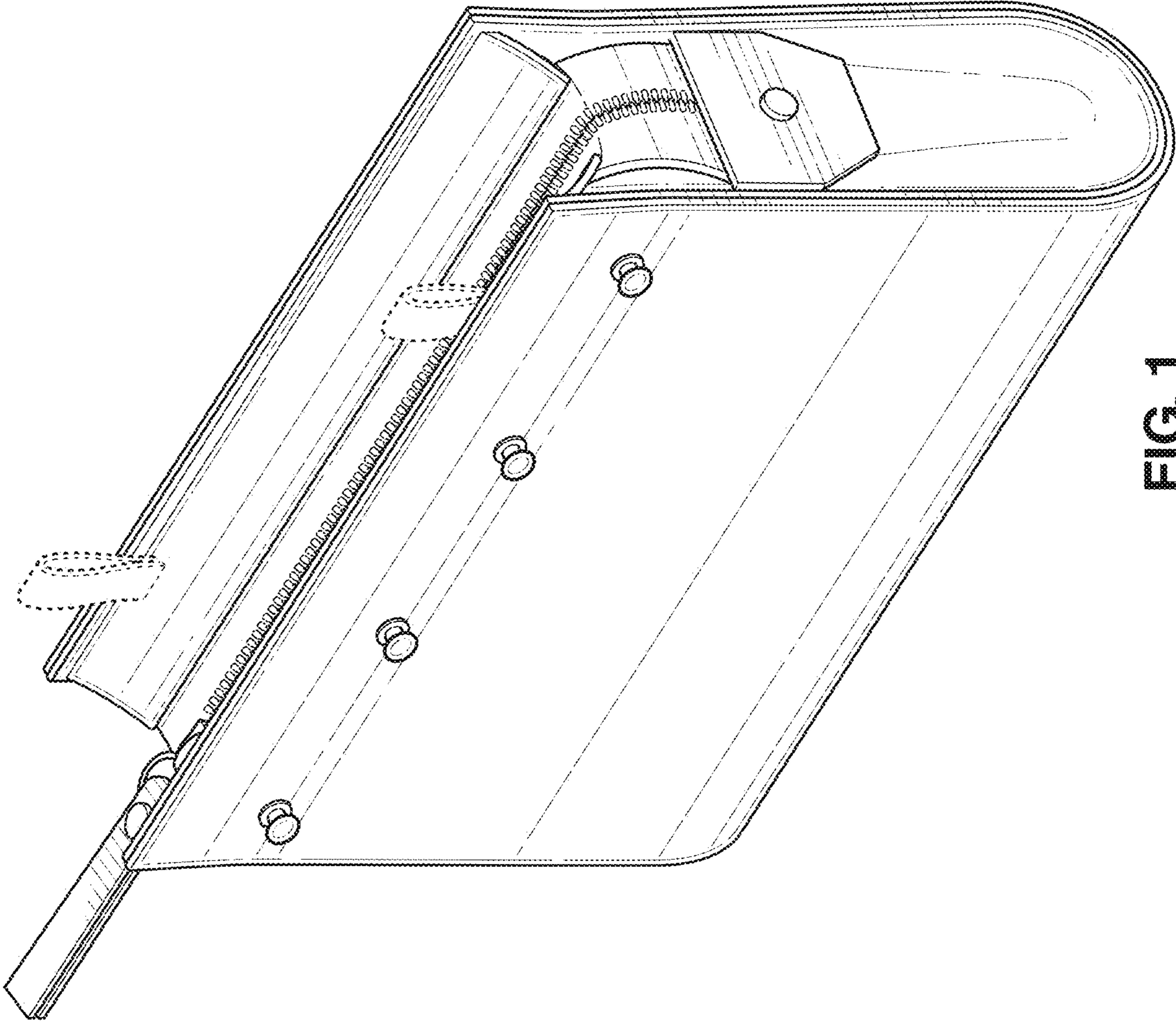


FIG. 1

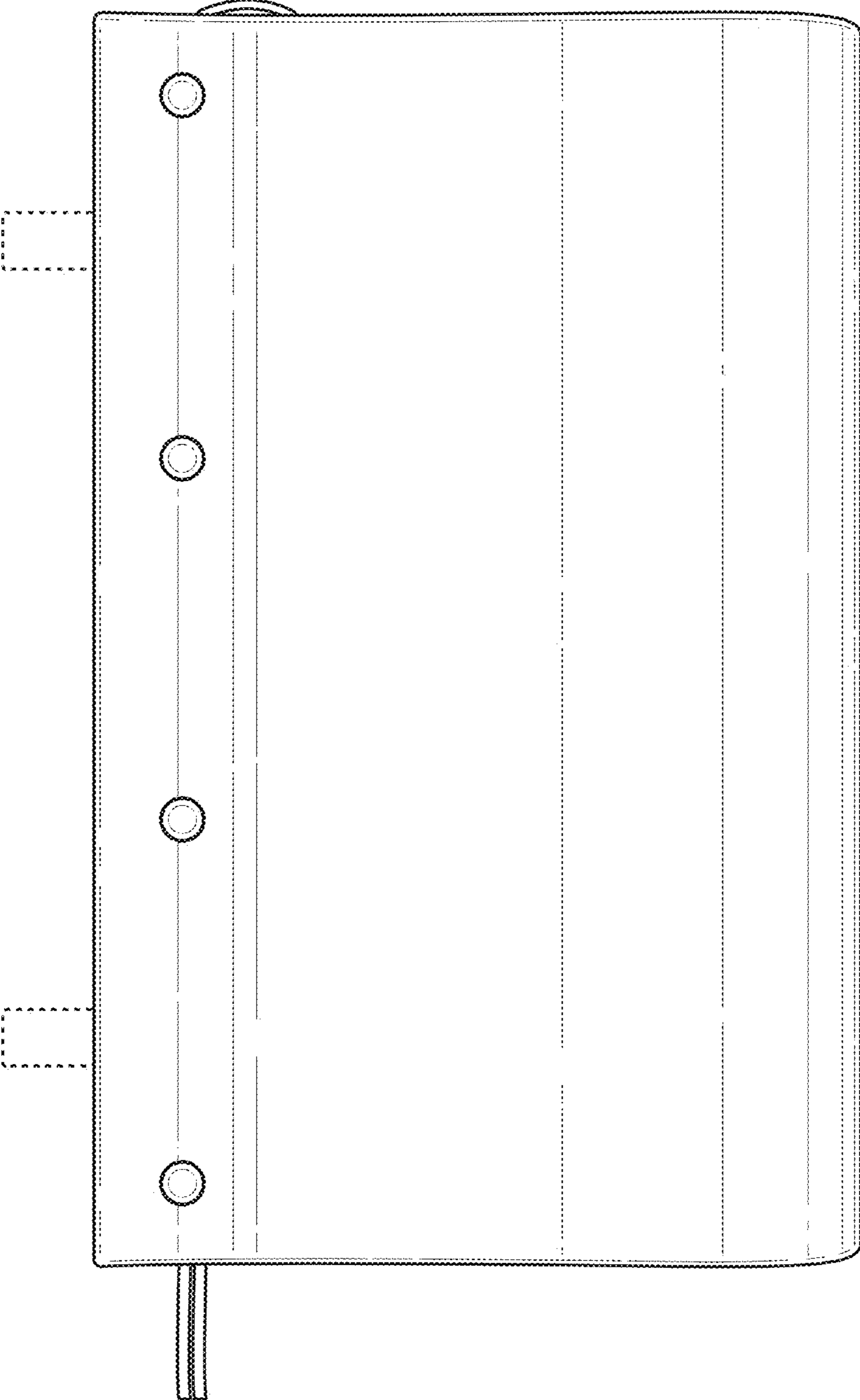


FIG. 2

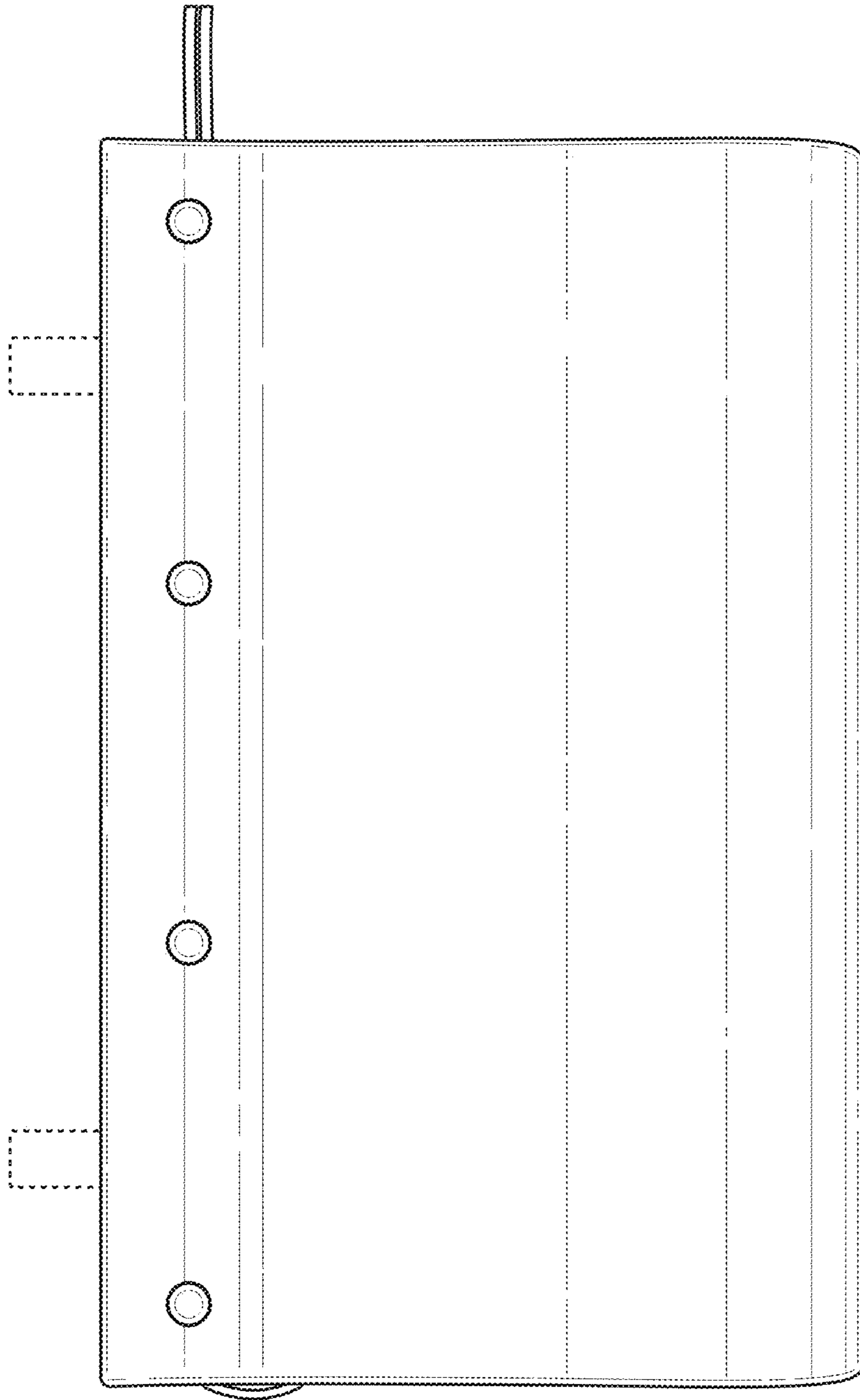


FIG. 3

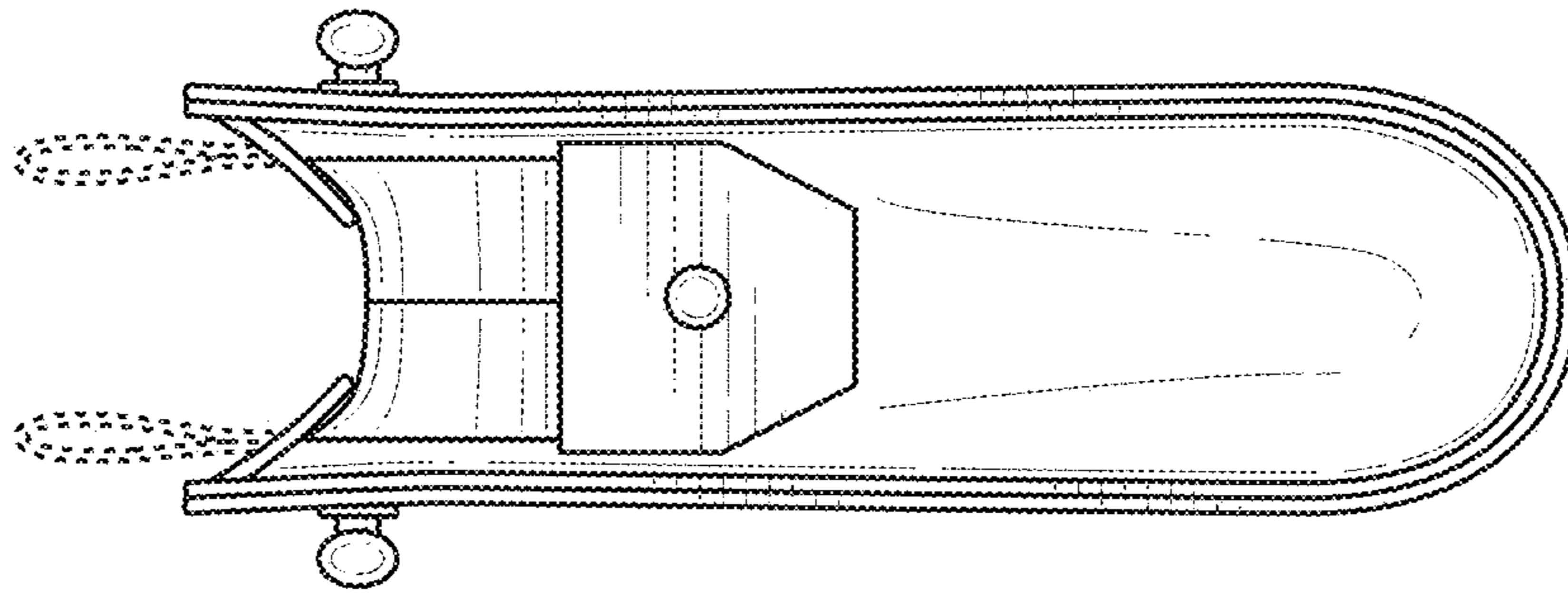


FIG. 5

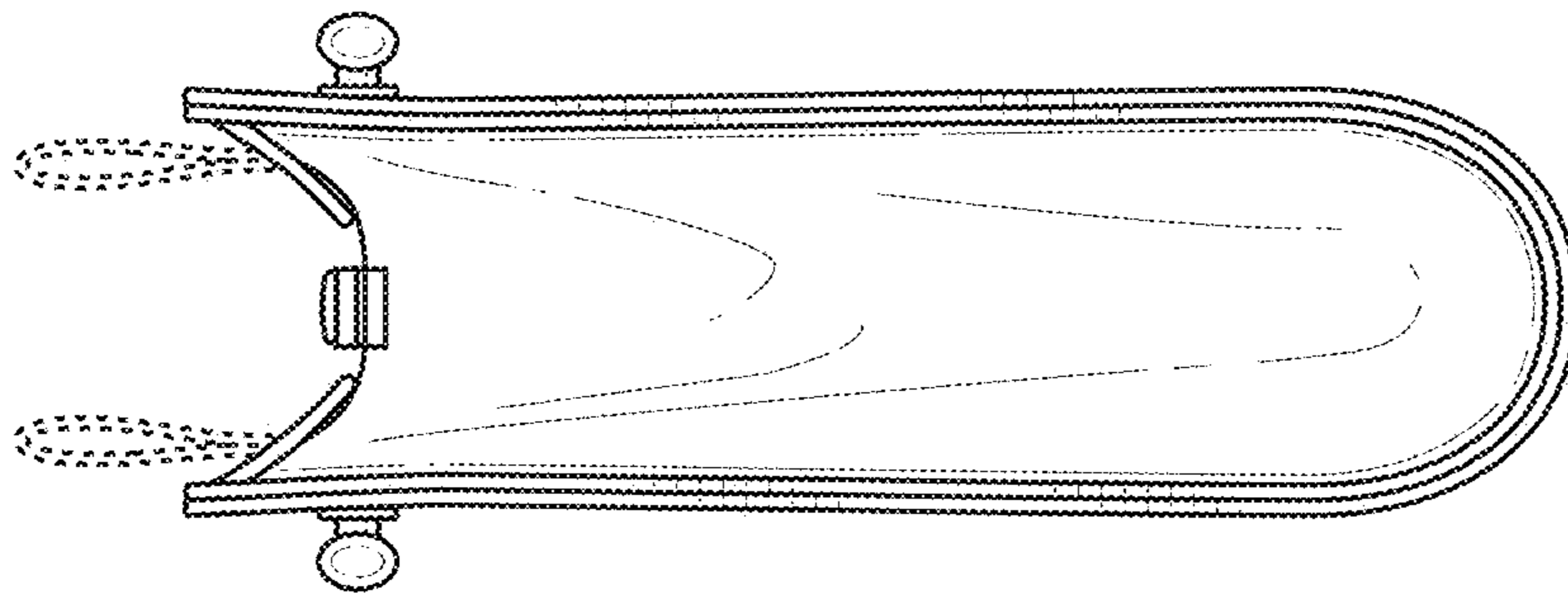


FIG. 4

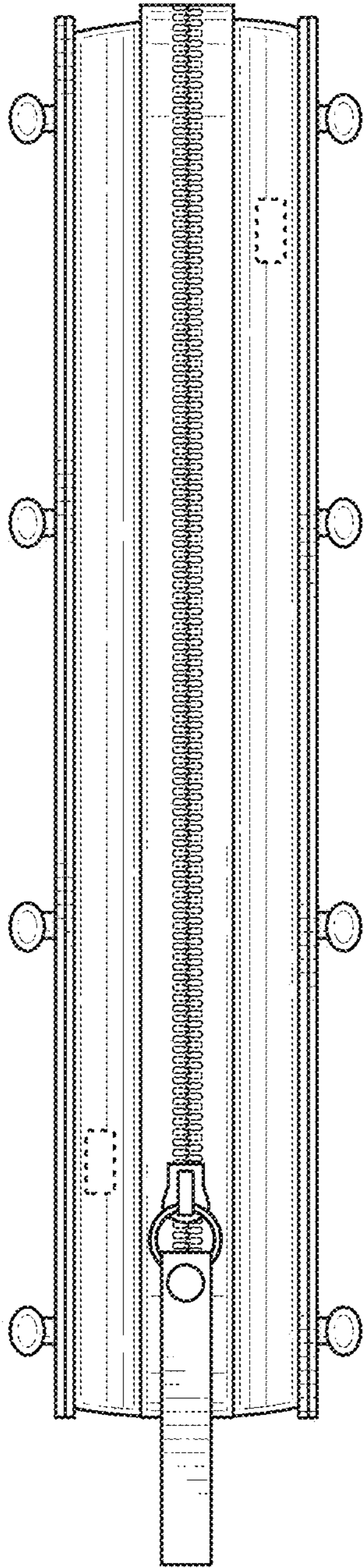


FIG. 6

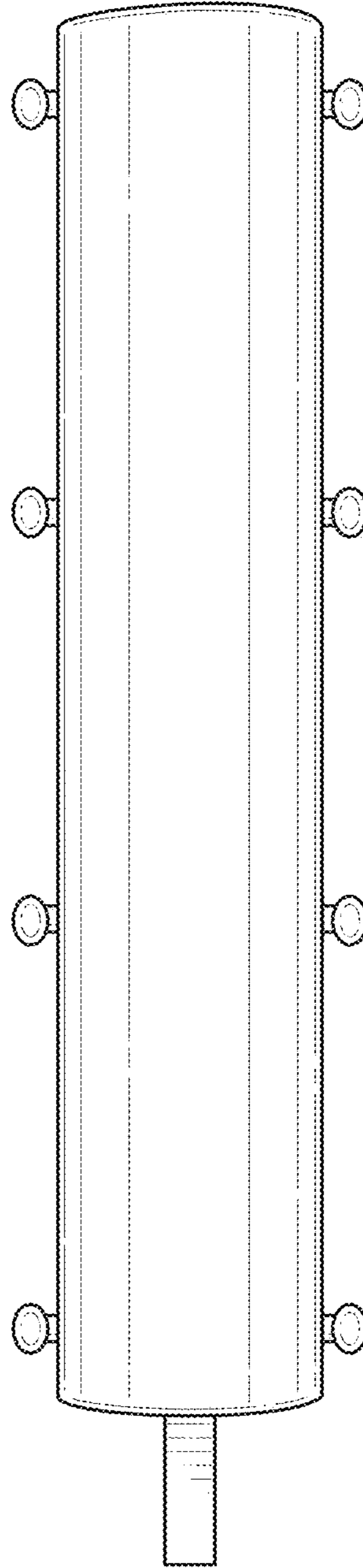


FIG. 7

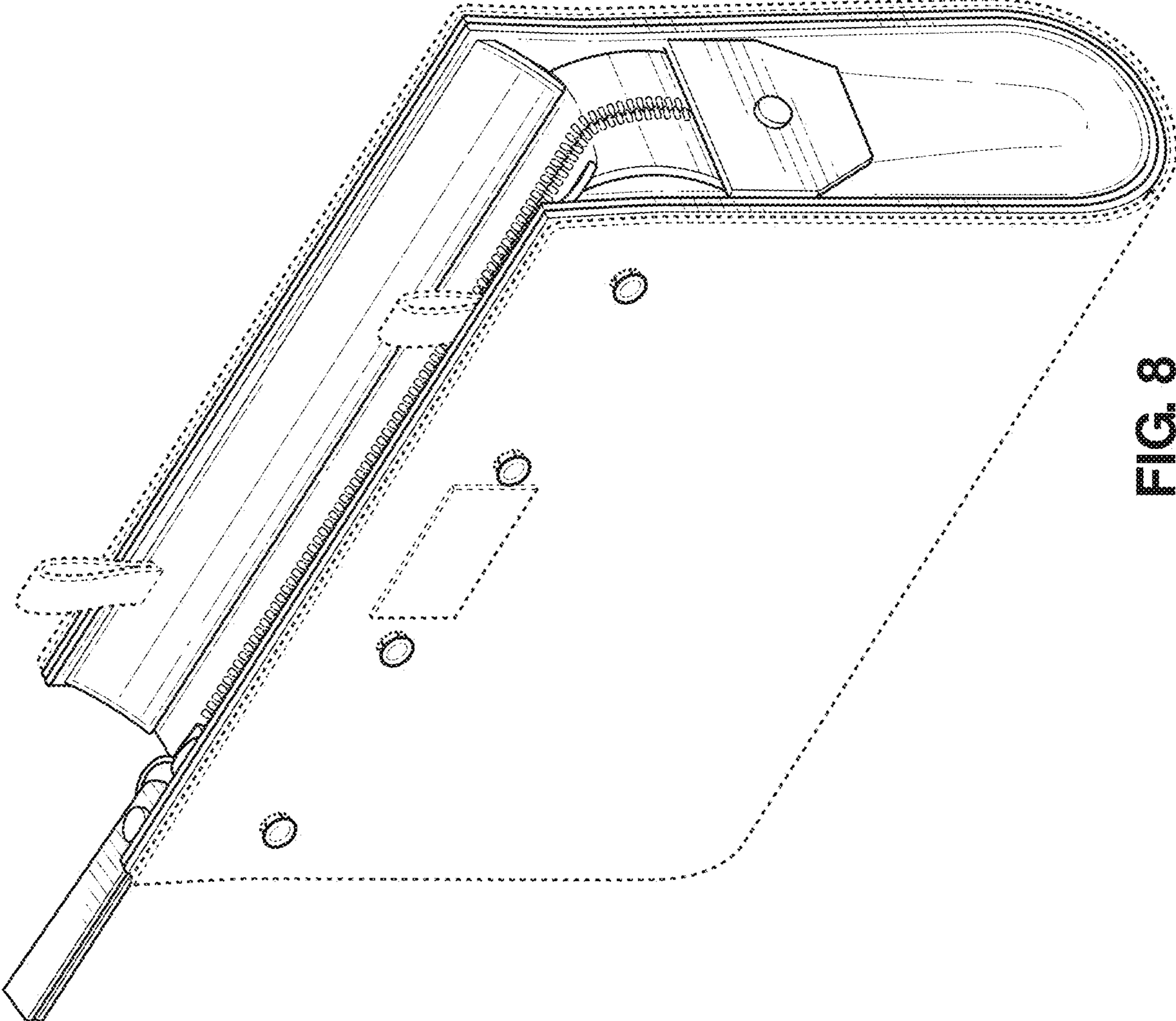


FIG. 8