



US00D873560S

(12) **United States Design Patent**
Buschbom

(10) **Patent No.:** **US D873,560 S**
(45) **Date of Patent:** **** Jan. 28, 2020**

(54) **BELT CLIP BATTERY HOLDER**

(71) Applicant: **Billy Dean Buschbom**, Meriden, KS
(US)

(72) Inventor: **Billy Dean Buschbom**, Meriden, KS
(US)

(**) Term: **15 Years**

(21) Appl. No.: **29/666,238**

(22) Filed: **Oct. 11, 2018**

(51) **LOC (12) Cl.** **03-01**

(52) **U.S. Cl.**
USPC **D3/228**

(58) **Field of Classification Search**
USPC D3/215, 228; 320/112; 224/237, 624,
224/260, 256, 676, 665, 637, 682, 664,
224/604-605, 930, 902; 219/211, 528;
2/94, 102
CPC F21L 4/10; F21L 14/00; H01M 2/1005;
A45F 5/00; F21V 21/00
See application file for complete search history.

2,190,601 A * 2/1940 La Van H01M 2/1005
224/256

2,304,367 A * 12/1942 Meyer F21L 4/00
224/676

2,625,192 A * 1/1953 Kinskie A45F 5/02
224/665

3,274,476 A * 9/1966 Wildum H01M 2/10
320/112

D279,424 S * 7/1985 Leiserson 224/902

5,211,321 A * 5/1993 Rodriguez A41D 13/0012
2/102

5,680,026 A * 10/1997 Lueschen A45F 5/00
224/674

D387,898 S * 12/1997 Ronzani D3/215

D514,806 S * 2/2006 McCambridge D3/228

* cited by examiner

Primary Examiner — Catherine R Oliver-Garcia
(74) *Attorney, Agent, or Firm* — Dale J. Ream

(57) **CLAIM**

The ornamental design for a belt clip battery holder, as shown and described.

DESCRIPTION

FIG. 1 is a perspective view of a belt clip battery holder showing my new design;
FIG. 2 is a front view thereof;
FIG. 3 is a back view thereof;
FIG. 4 is a left side view thereof;
FIG. 5 is a right side view thereof;
FIG. 6 is a top plan view thereof; and,
FIG. 7 is a bottom plan view thereof.

1 Claim, 7 Drawing Sheets

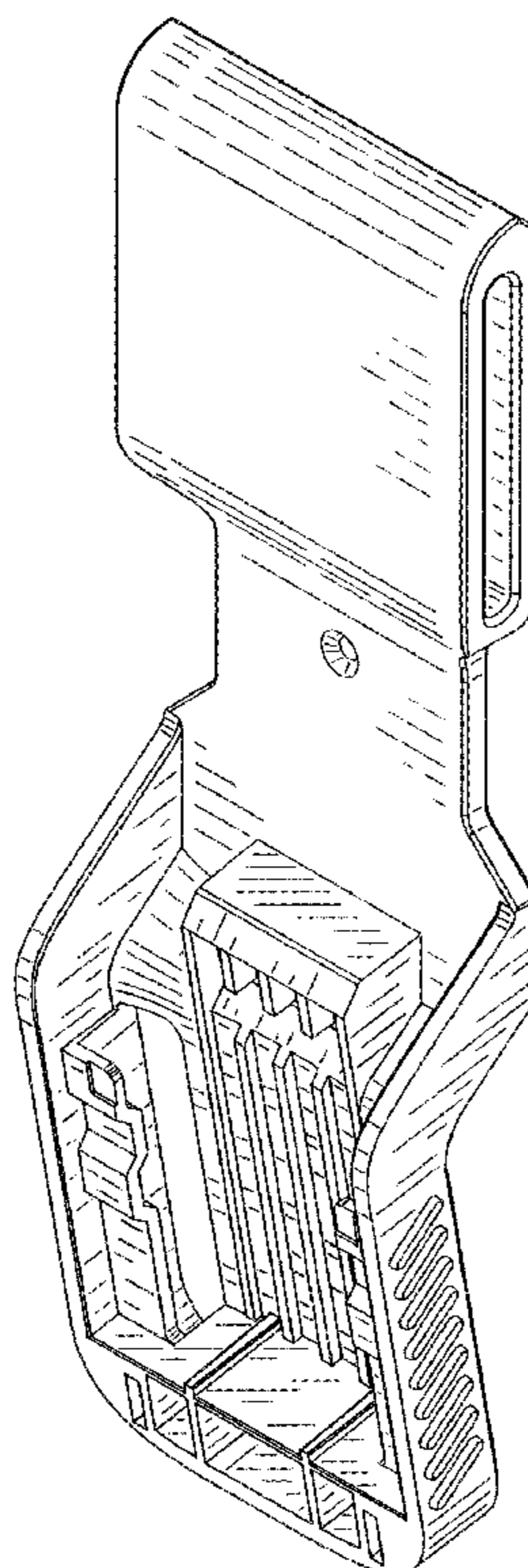
(56) **References Cited**

U.S. PATENT DOCUMENTS

1,779,207 A * 10/1930 Candar H01M 2/1005
224/237

2,089,402 A * 8/1937 Murray H01M 2/1005
224/624

2,096,376 A * 10/1937 Lauppe A45F 5/00
224/240



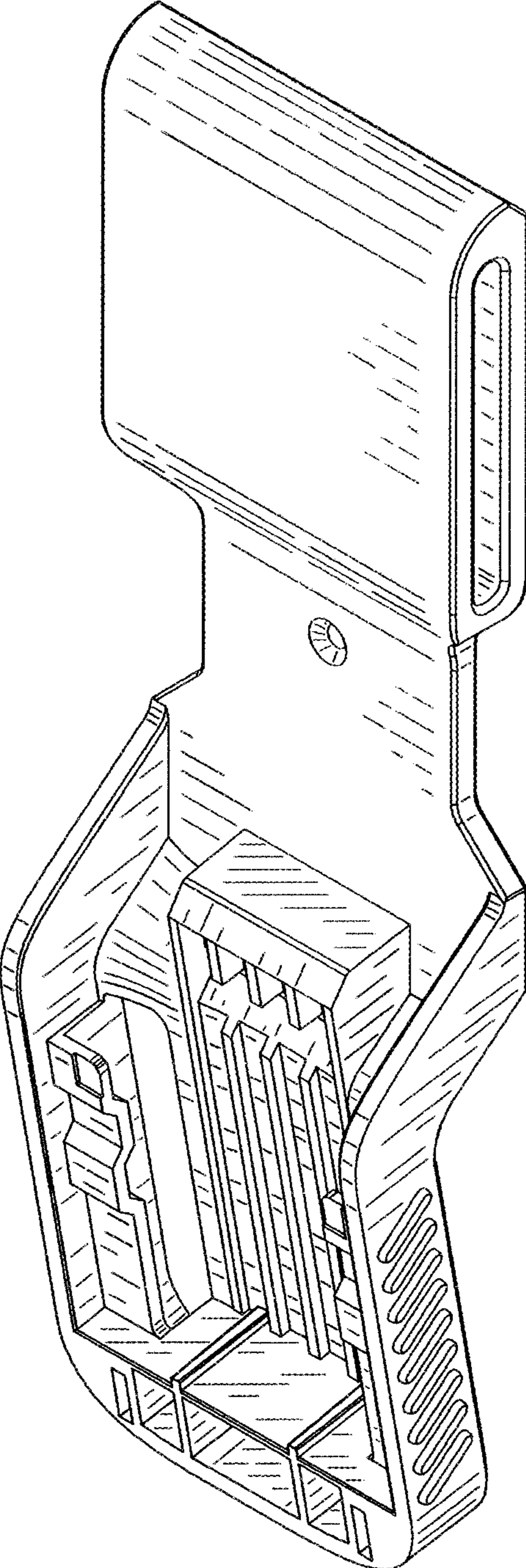


Fig. 1

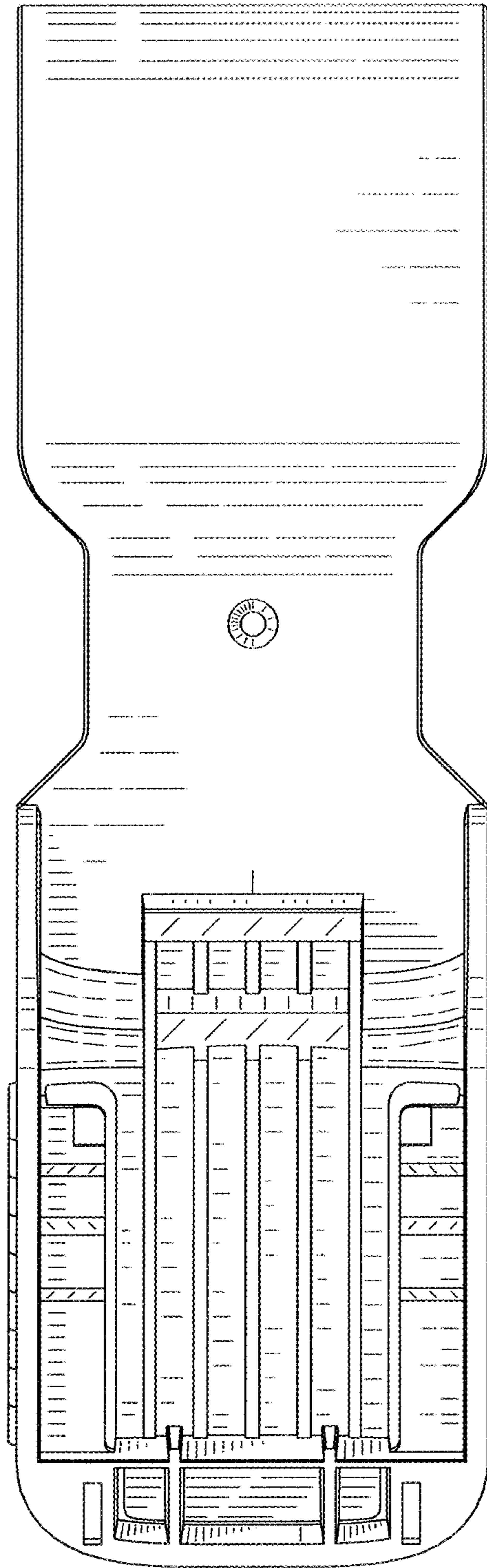


Fig. 2

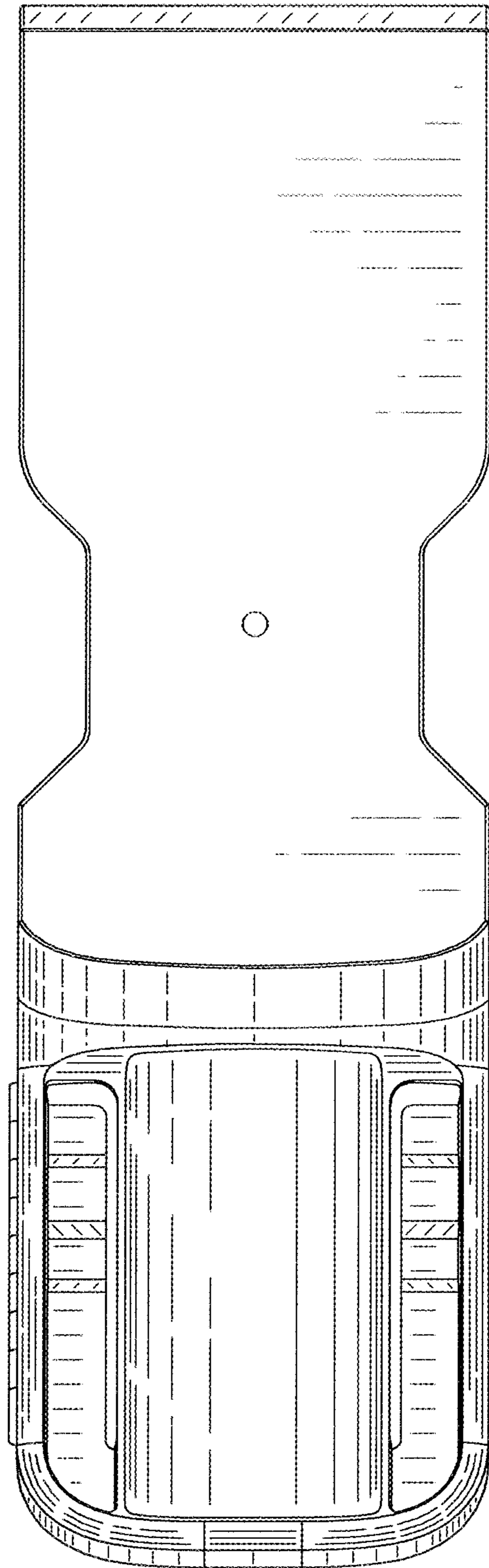


Fig. 3

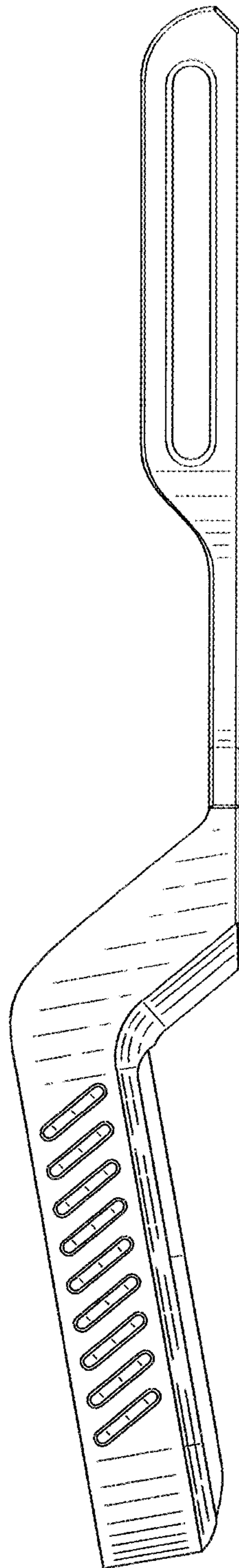


Fig. 4

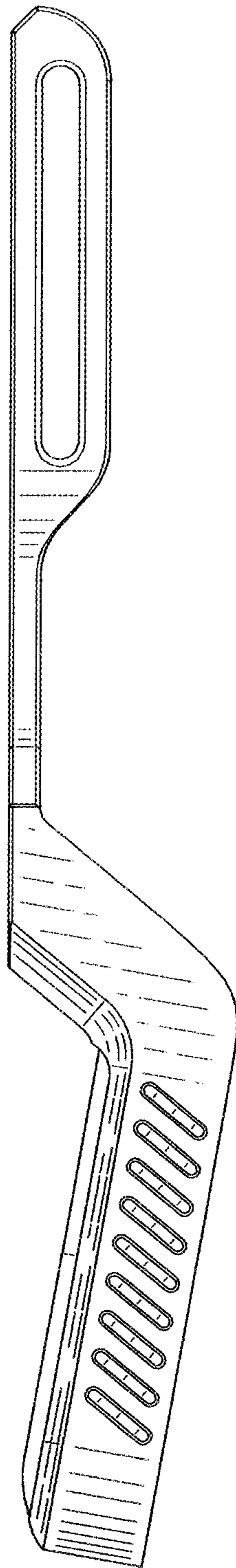


Fig. 5

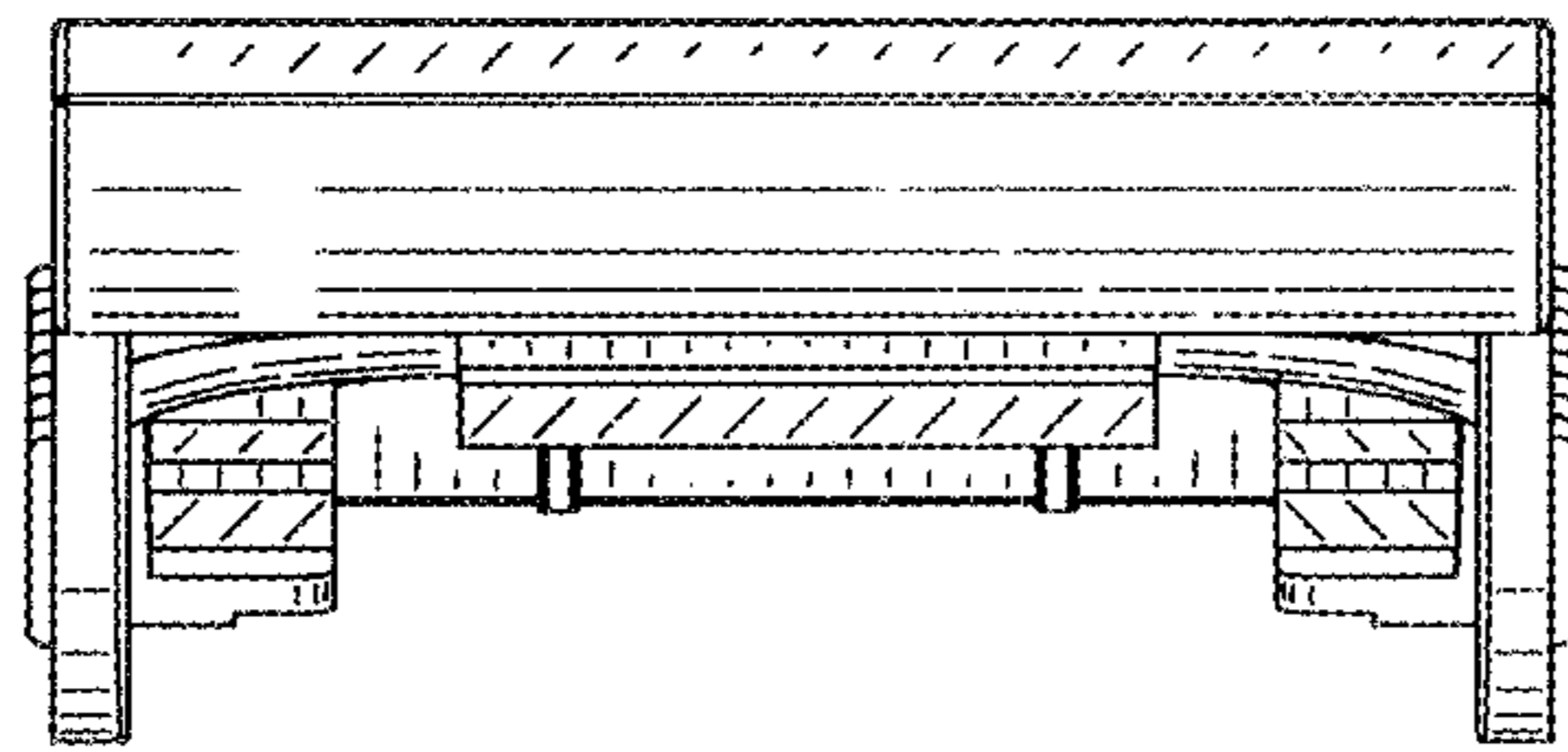


Fig. 6

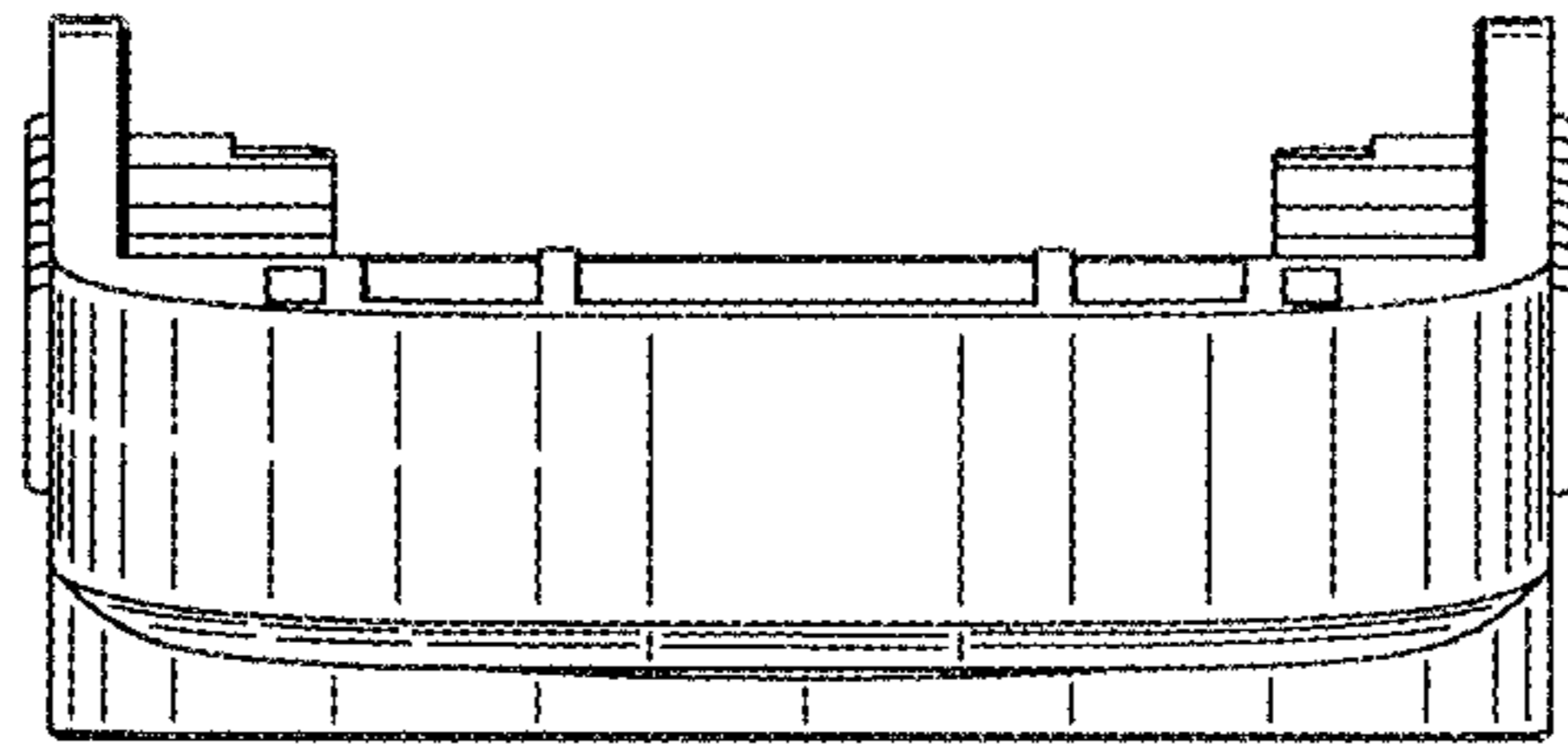


Fig. 7