



US00D873558S

(12) **United States Design Patent** (10) **Patent No.:** **US D873,558 S**
Jamieson et al. (45) **Date of Patent:** **** Jan. 28, 2020**

(54) **FOLDING BACKPACK**

(71) Applicants: **Tom Alexander Jamieson**, Burliegh Heads (AU); **Steven Alfredo Palomo**, West Hempstead, NY (US)

(72) Inventors: **Tom Alexander Jamieson**, Burliegh Heads (AU); **Steven Alfredo Palomo**, West Hempstead, NY (US)

(**) Term: **15 Years**

(21) Appl. No.: **29/633,610**

(22) Filed: **Jan. 15, 2018**

(51) **LOC (12) Cl.** **03-01**

(52) **U.S. Cl.**
USPC **D3/217**

(58) **Field of Classification Search**
USPC D3/215–217, 273, 289, 290, 318, 321, D3/322, 323
CPC .. A45F 3/04; A45F 3/042; A45F 3/047; A45F 3/08; A45F 3/10; A45F 3/14; A45F 4/02; A45F 4/08; A45F 2200/05; A45F 2200/0525; A45C 13/08; A45C 13/083
See application file for complete search history.

(56) **References Cited**

U.S. PATENT DOCUMENTS

2,105,319 A 1/1938 Hedden et al.
5,187,823 A 2/1993 Ferguson et al.
5,447,215 A 9/1995 Volkmar et al.
5,797,529 A 8/1998 Lavine
6,135,635 A 10/2000 Miller et al.
6,193,118 B1 2/2001 Kearl

(Continued)

FOREIGN PATENT DOCUMENTS

CN 2327228 7/1999
CN 302868229 7/2014

(Continued)

OTHER PUBLICATIONS

Anonymous, Lay-n-Go Cosmo (20") Cosmetic Bag URL: <https://www.amazon.com/Lay-n-Go-Cosmo-20-Cosmetic-Bag/dp/B00CMFEGBK?th=1Published/Accessed: Oct. 5, 2017.>

(Continued)

Primary Examiner — Barbara Fox

Assistant Examiner — Mary Shannon Malley

(74) *Attorney, Agent, or Firm* — Lippincott IP, LLC; Patricia P. Werschulz, Esq.

(57) **CLAIM**

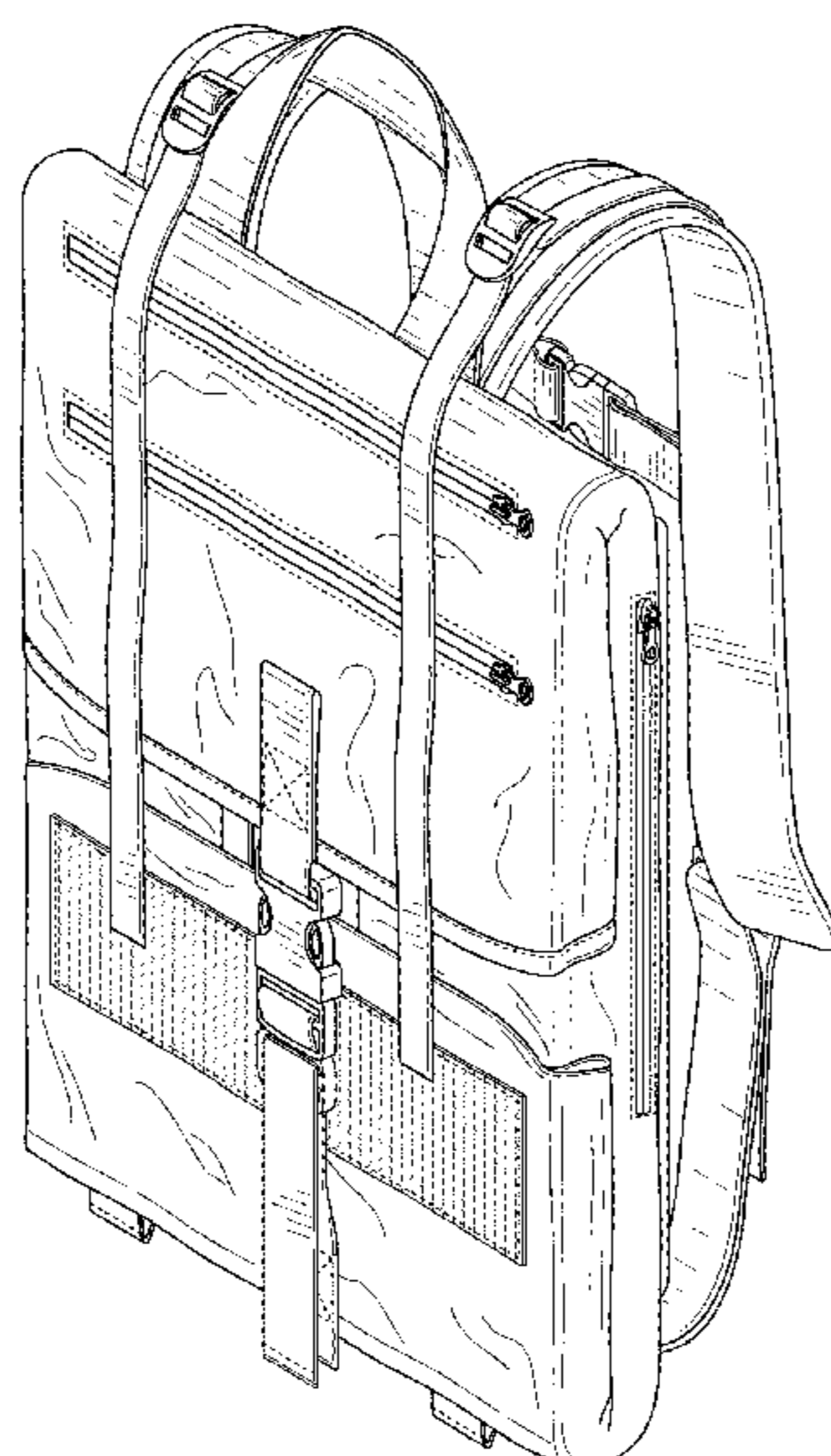
The ornamental design for a folding backpack, as shown and described.

DESCRIPTION

FIG. 1 is a perspective view from the front of a folding backpack folded close, showing our new design; FIG. 2 is a front elevational view thereof; FIG. 3 is a rear elevational view thereof; FIG. 4 is a right side elevational view thereof; FIG. 5 is a left side elevational view thereof; FIG. 6 is a top plan view thereof; FIG. 7 is a bottom plan view thereof; FIG. 8 is a perspective view from the rear of the folding backpack unfolded open, showing our new design; FIG. 9 is a front elevational view thereof; FIG. 10 is a rear elevational view thereof; FIG. 11 is a right side elevational view thereof; FIG. 12 is a left side elevational view thereof; FIG. 13 is a top plan view thereof; FIG. 14 is a bottom plan view thereof; and, FIG. 15 is a perspective view from the rear of the folding backpack unfolded open.

The broken lines in the drawings form no part of the claimed design. The broken line utensils seen in FIG. 15 are environmental subject matter that form no part of the claimed design.

1 Claim, 12 Drawing Sheets



(56)

References Cited

U.S. PATENT DOCUMENTS

7,171,707	B2	2/2007	Landay	
D553,356	S	10/2007	Frago	
D596,842	S	7/2009	Cooper	
7,604,102	B2	10/2009	Albritton	
8,157,068	B2	4/2012	Sapyta	
D693,570	S *	11/2013	Rathbun	D3/216
8,668,127	B2	3/2014	Baron	
D720,537	S *	1/2015	Taller	D3/285
D746,050	S	12/2015	Ford	
D765,405	S	9/2016	DeSerio	
D812,898	S *	3/2018	Lai	D3/217
D819,959	S *	6/2018	Choi	D3/217
D822,994	S *	7/2018	Currier	D3/283
D829,002	S *	9/2018	Chalk	D3/278
D833,140	S *	11/2018	Oliver	D3/217
D833,141	S *	11/2018	Carter	D3/217
D836,334	S *	12/2018	Chung	A45C 3/06 D3/243
2005/0005668	A1	1/2005	Duggan et al.	
2005/0016808	A1 *	1/2005	Sapyta	A45C 7/0054 190/107
2006/0102667	A1	5/2006	Padilla	
2006/0105137	A1	5/2006	Kouts	
2006/0169729	A1 *	8/2006	Reis	A45F 4/04 224/154

2008/0029562	A1	2/2008	Hawkins et al.	
2008/0289925	A1 *	11/2008	Sapyta	A45C 7/0054 190/109
2009/0114690	A1	5/2009	Landay	
2014/0023295	A1	1/2014	Wagner	
2014/0144953	A1	5/2014	Meier	

FOREIGN PATENT DOCUMENTS

CN	105942689	A	9/2016
EM	0000671940001		12/2003
EP	1560507	A2	8/2005
GB	4019701		5/2011
JP	D1620207	*	12/2018
KR	3004755360000		1/2008
KR	3006086300000		8/2011
WO	D083191002		7/2009

OTHER PUBLICATIONS

Anonymous, Ultralight waterproof nylon travel outdoor climbing hiking foldable backpack, eBay, <http://www.ebay.com/itm/15L-Ultralight-Waterproof-Nylon-Travel-Outdoor-Climbing-Hiking-Foldable-Backpack-/401294592080>; Accessed: Oct. 4, 2017.

* cited by examiner

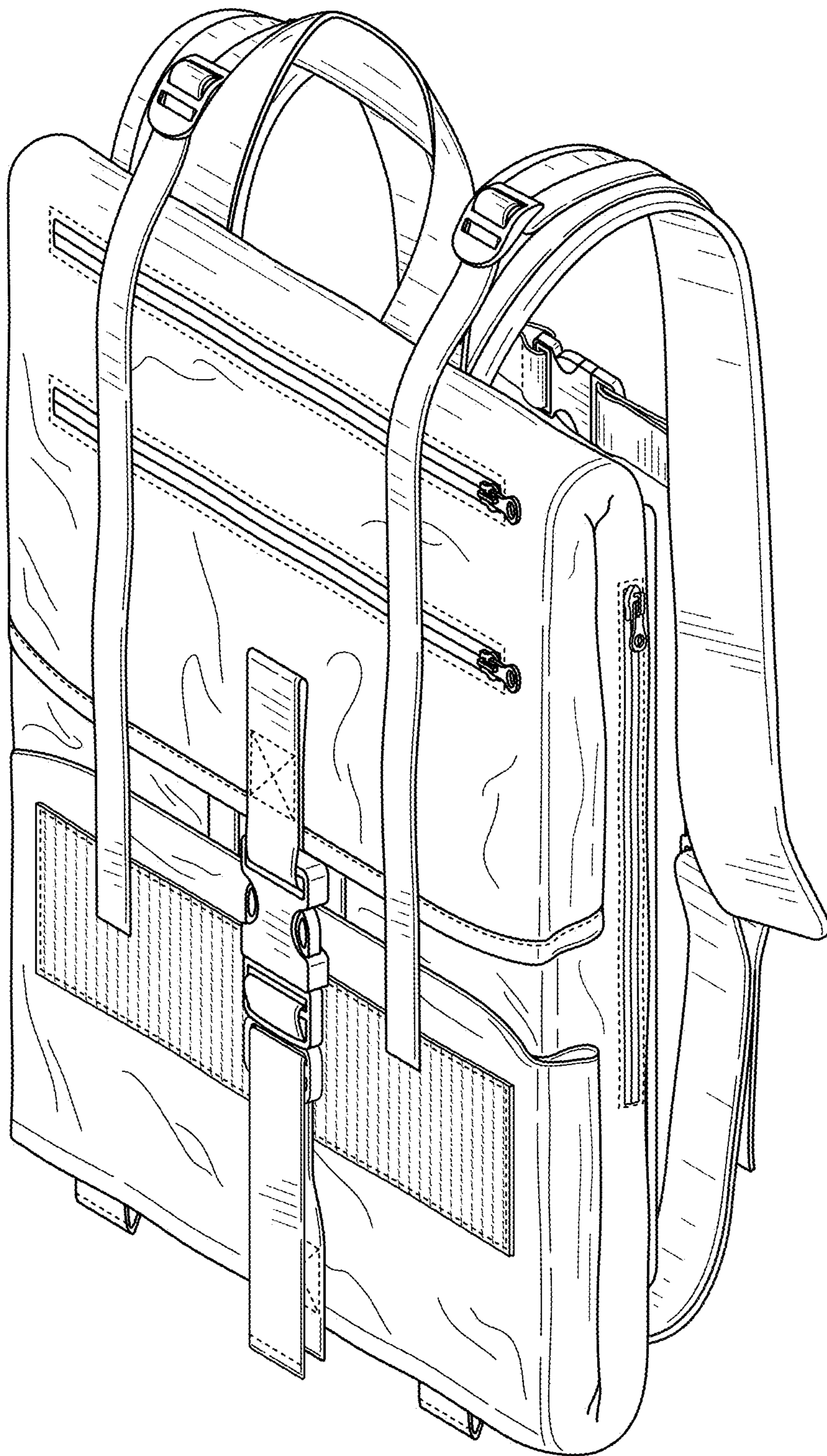


FIG. 1

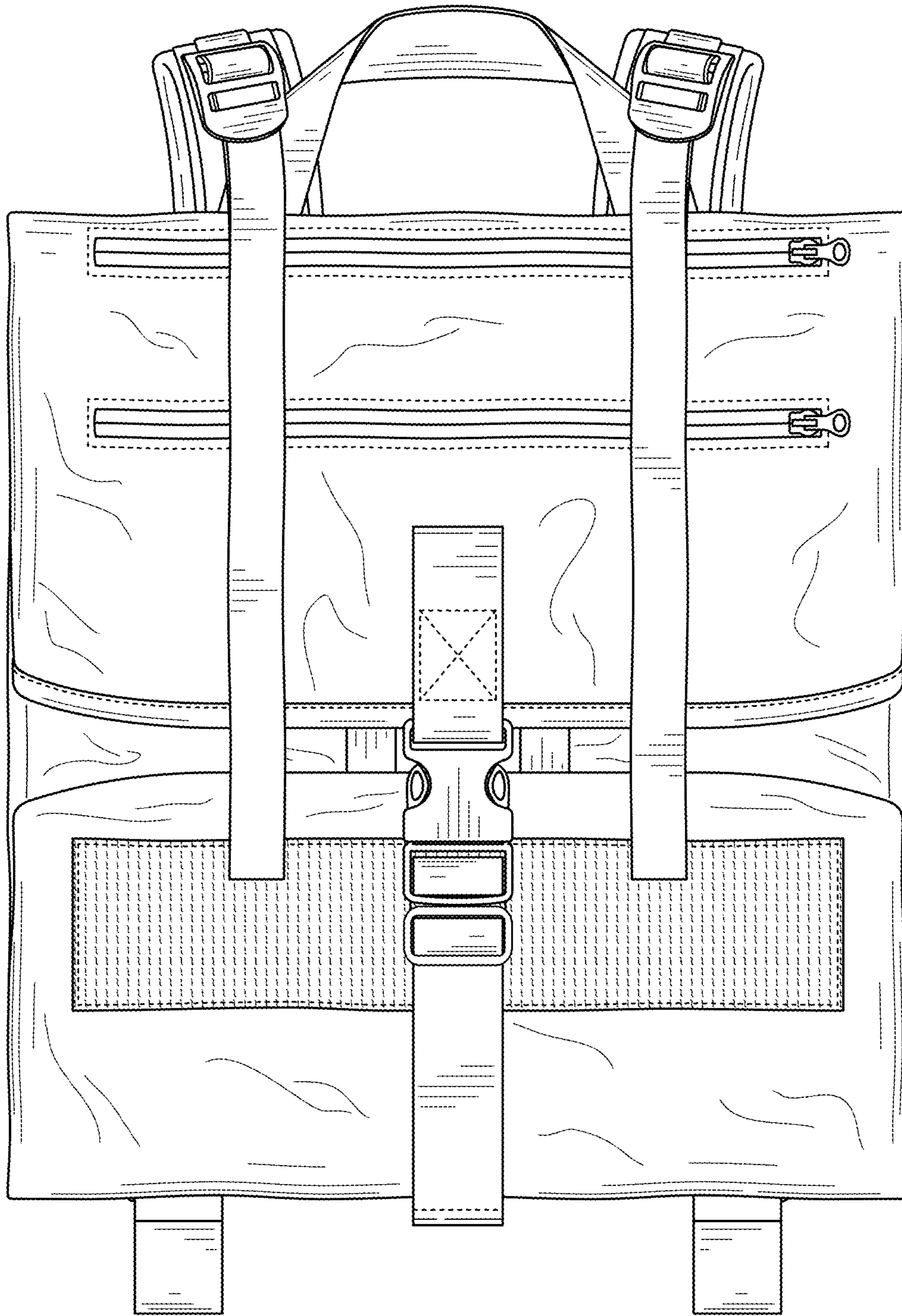


FIG. 2

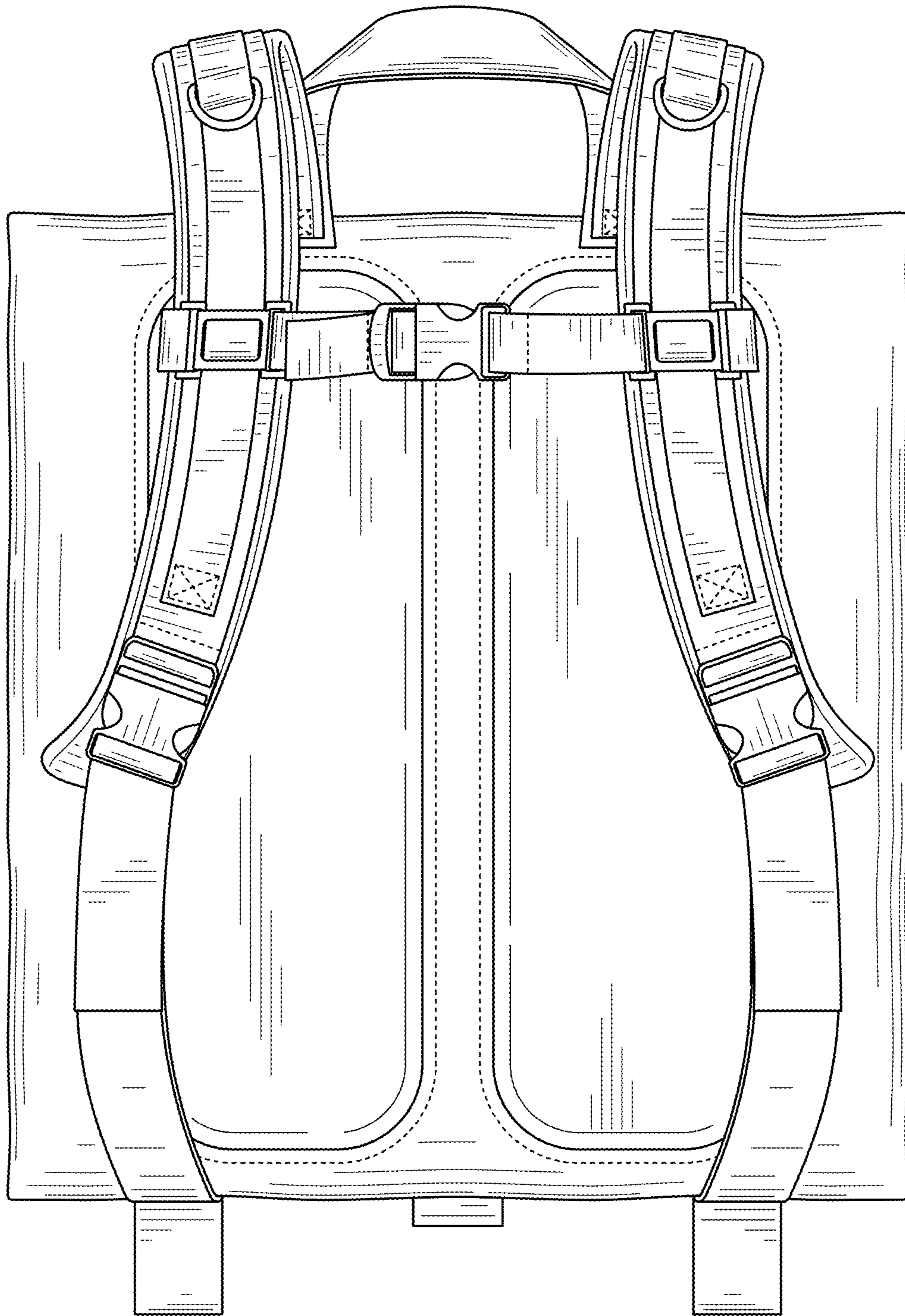


FIG. 3

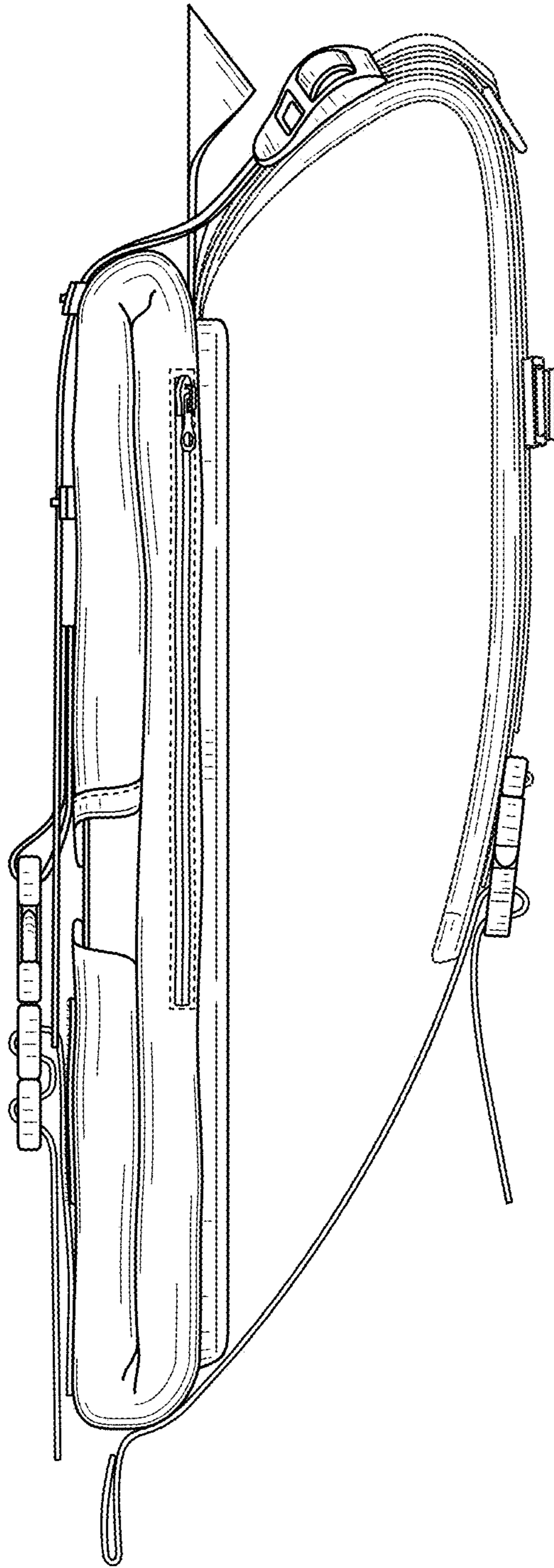


FIG. 4

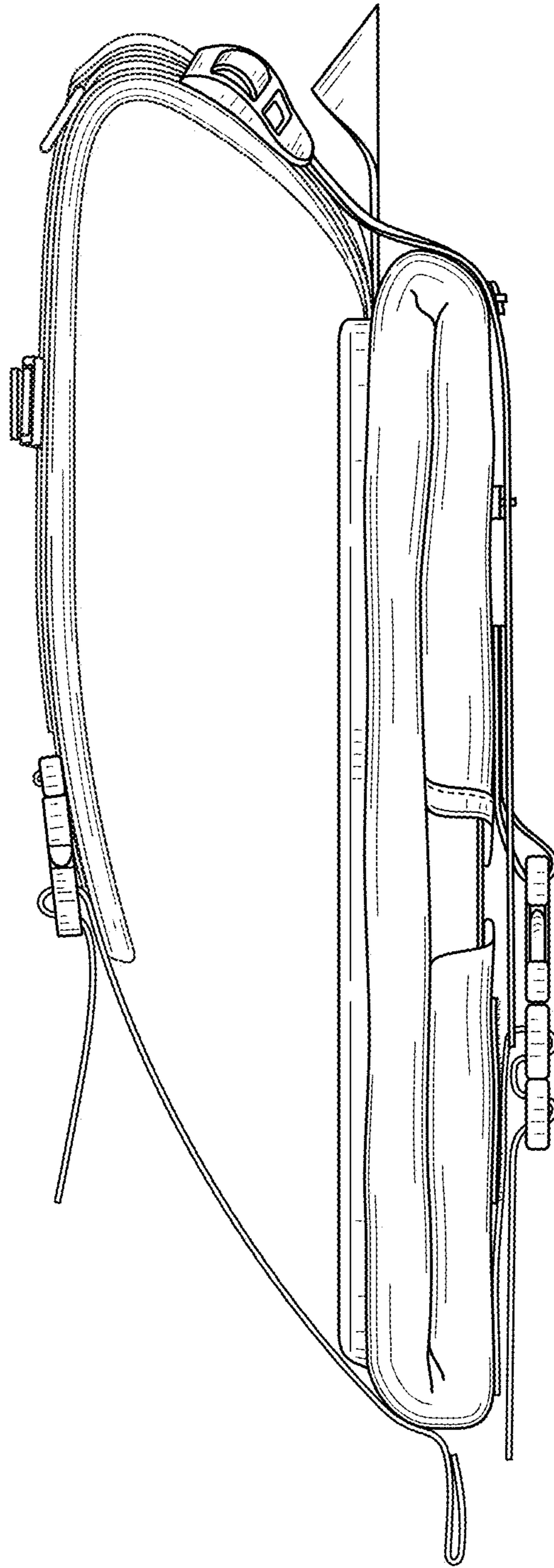


FIG. 5

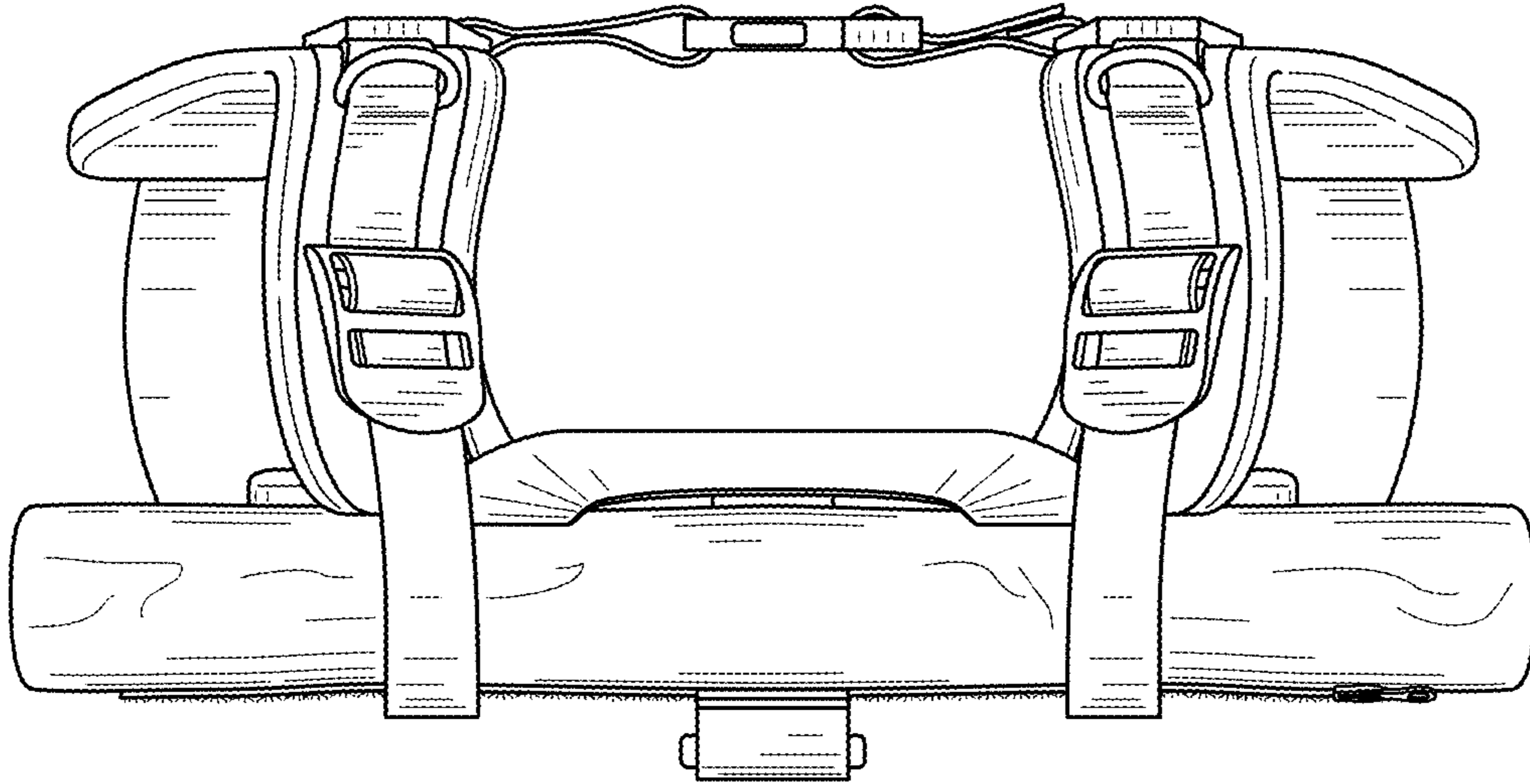


FIG. 6

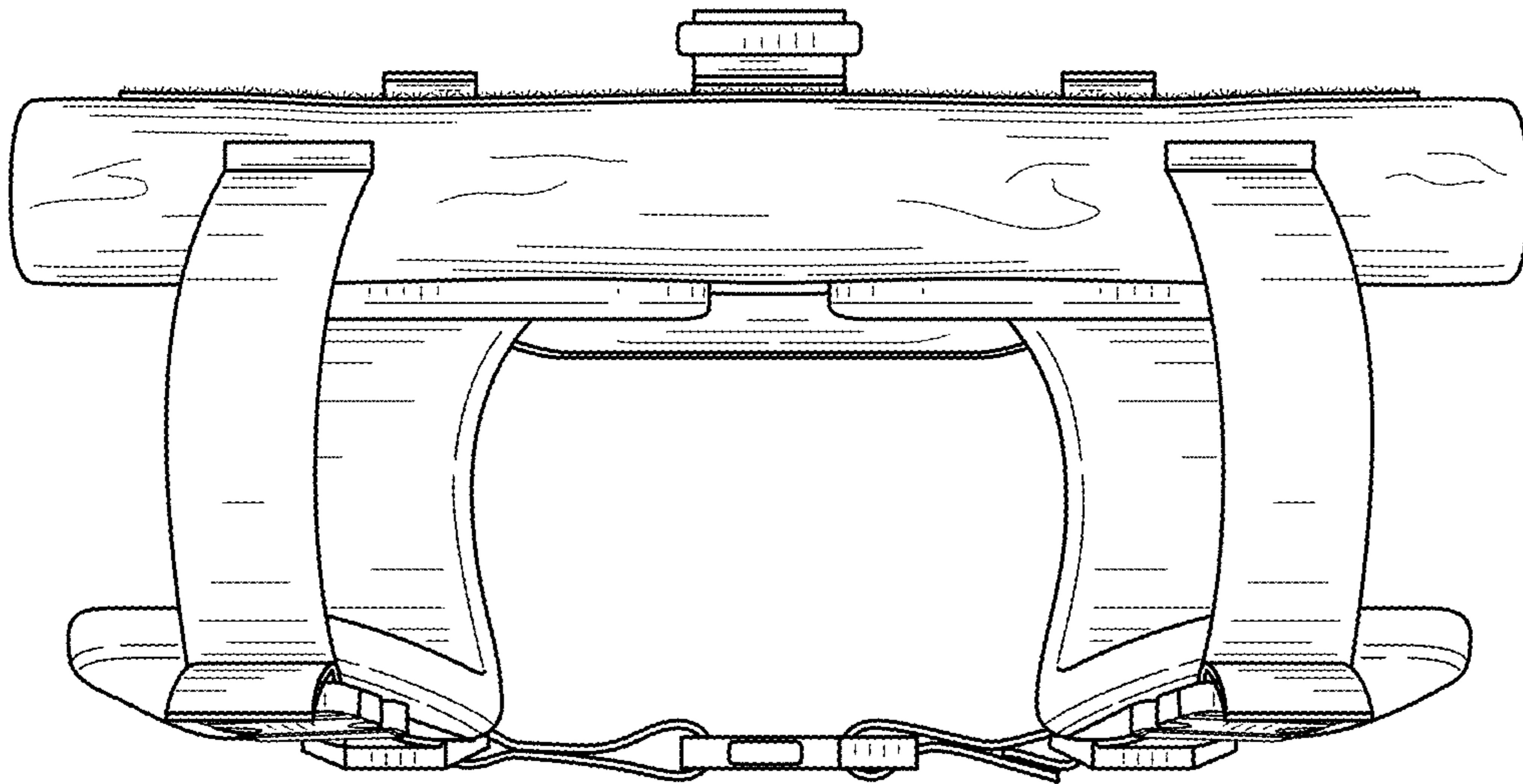


FIG. 7

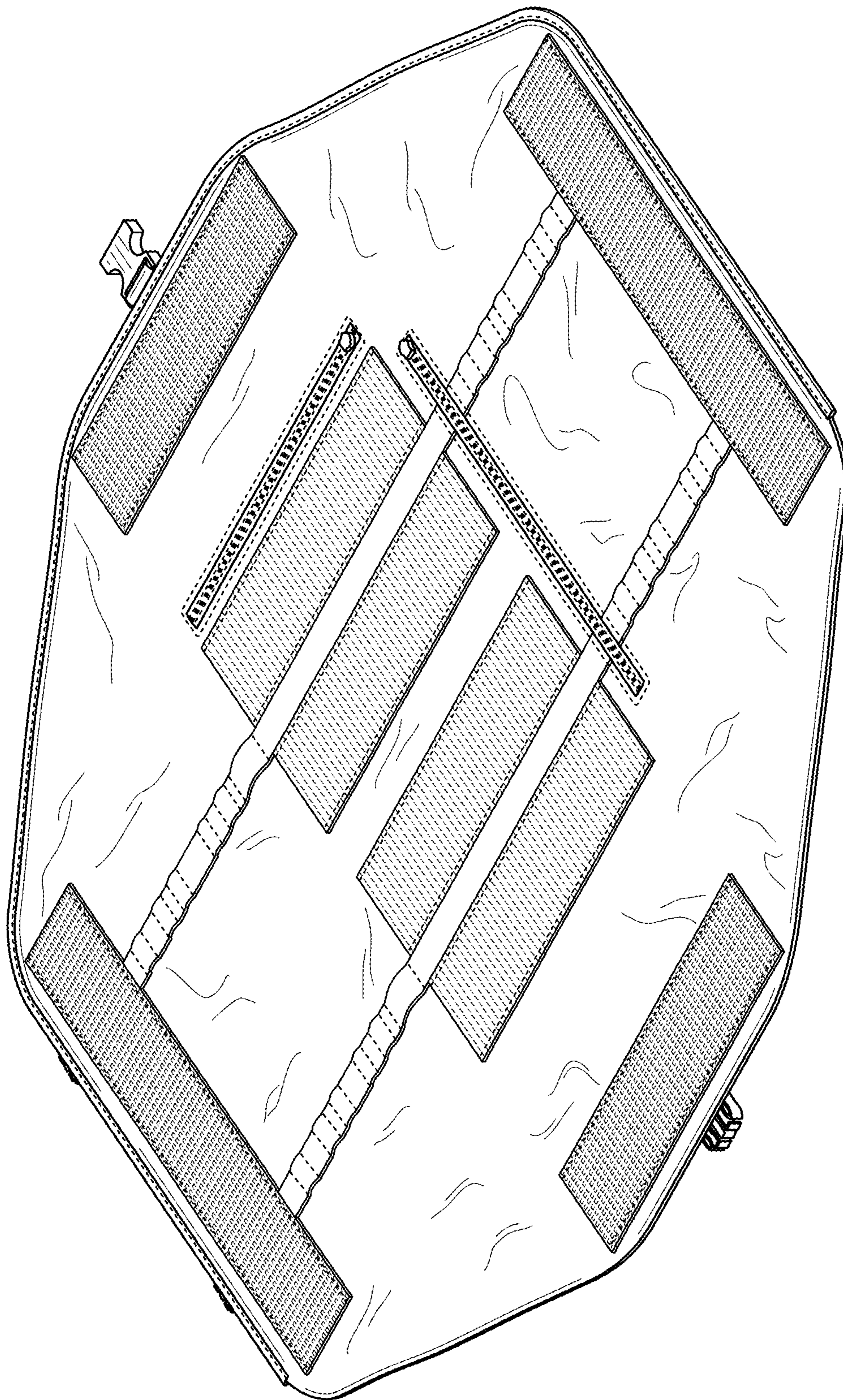


FIG. 8

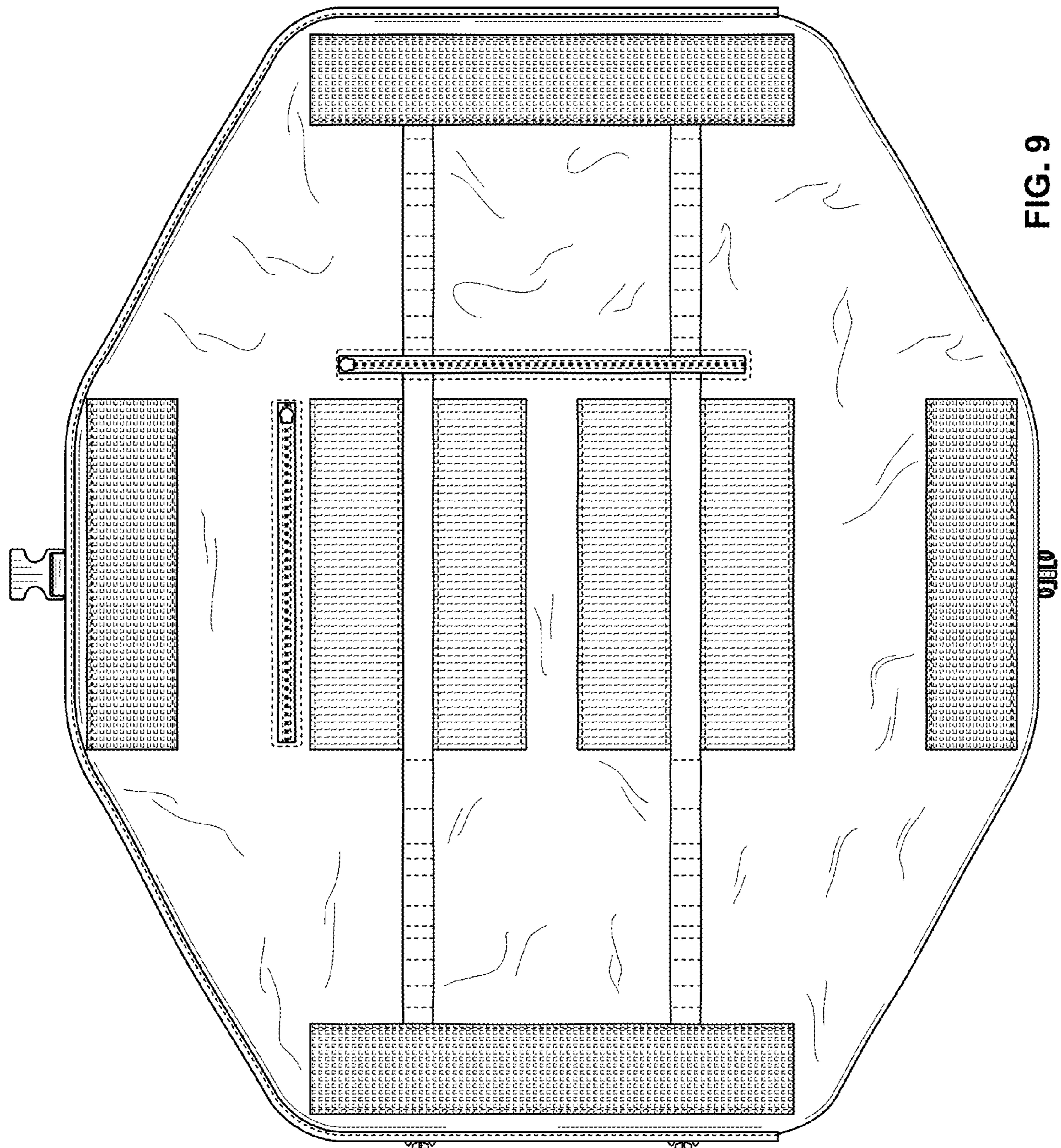


FIG. 9

FIG. 9

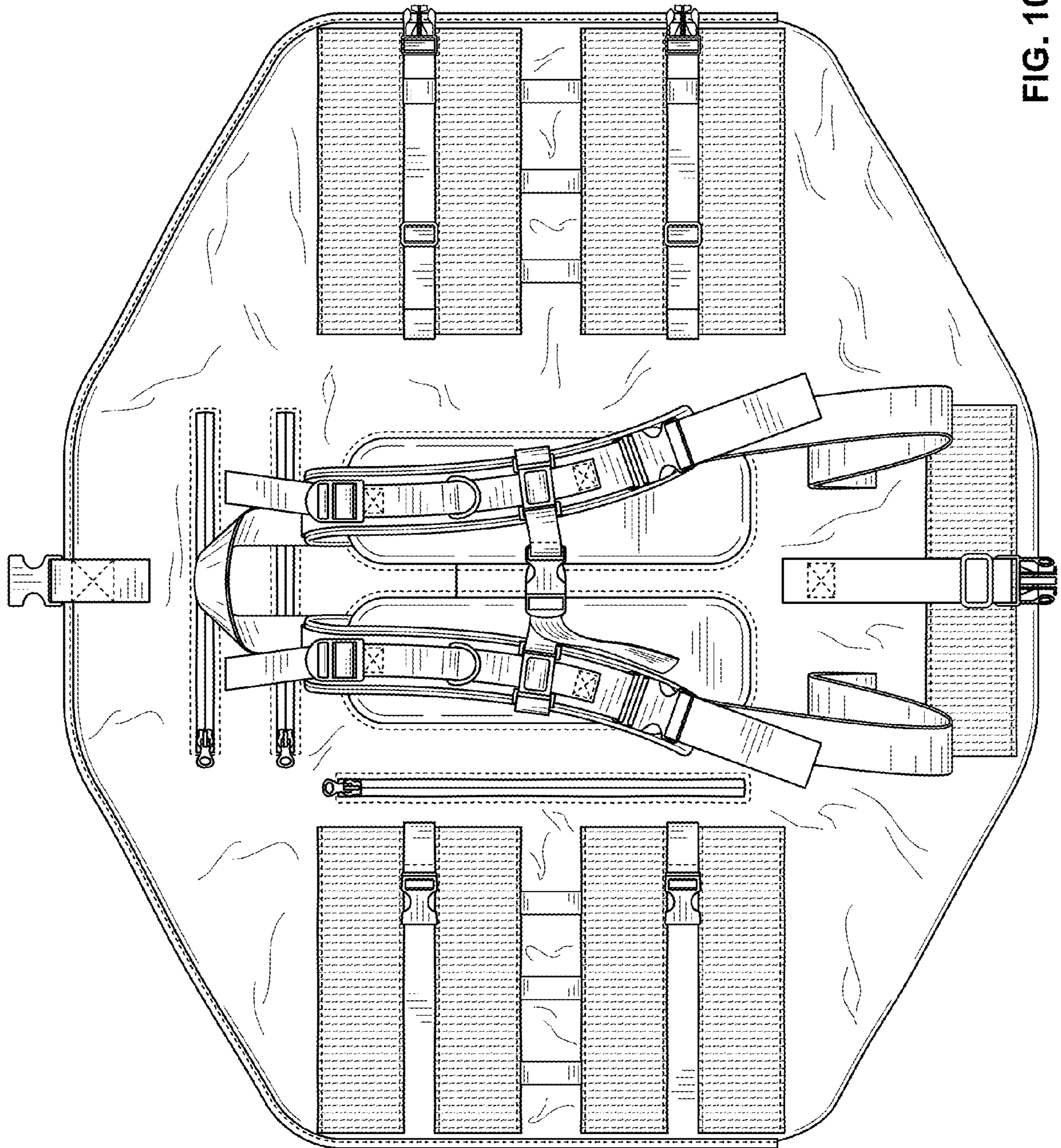


FIG. 10

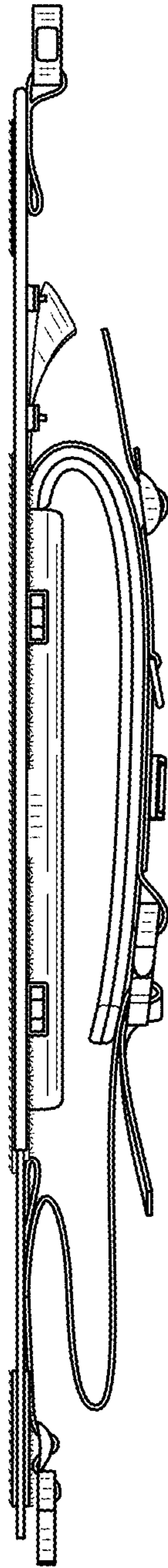


FIG. 11

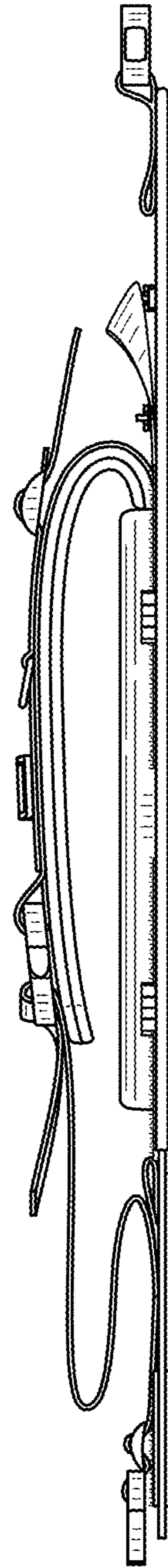


FIG. 12

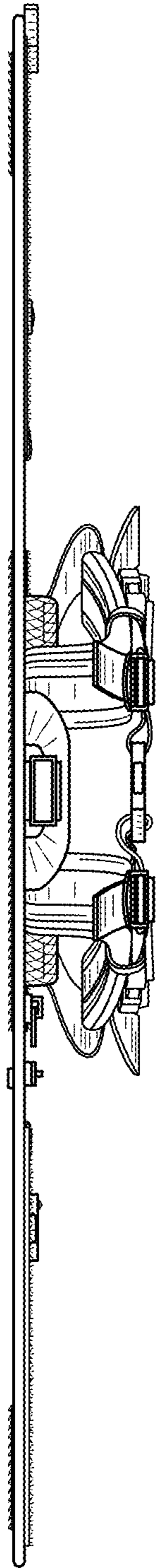


FIG. 13

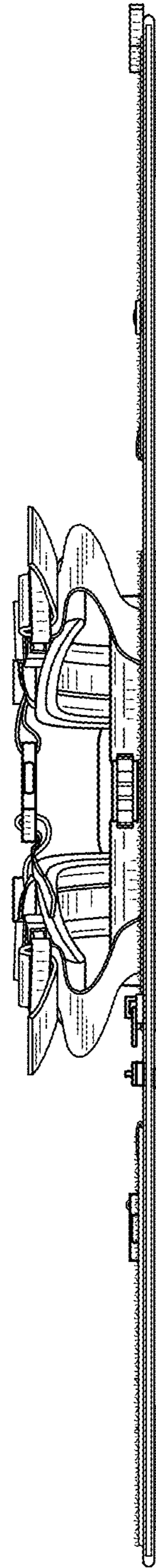


FIG. 14

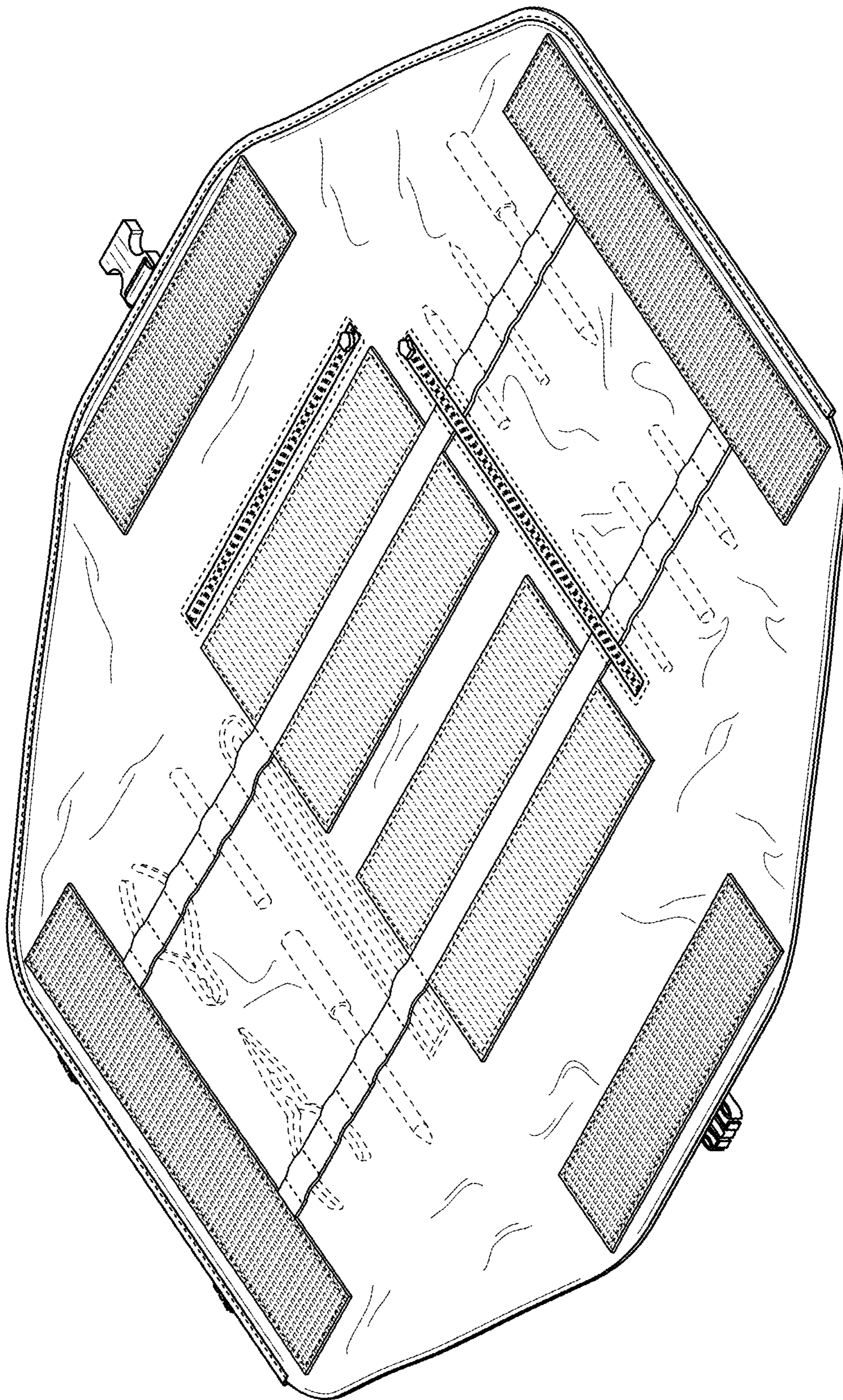


FIG. 15