



US00D873556S

(12) **United States Design Patent**  
**McGarry et al.**

(10) **Patent No.:** **US D873,556 S**  
(45) **Date of Patent:** **\*\* Jan. 28, 2020**

- (54) **RAZOR CASE**
- (71) Applicant: **The Gillette Company LLC**, Boston, MA (US)
- (72) Inventors: **Rory Frederick Wellington McGarry**, Boston, MS (US); **Andrew Anthony Szczepanowski**, North Attleboro, MA (US)
- (73) Assignee: **The Gillette Company LLC**, Boston, MA (US)
- (\*\*) Term: **15 Years**
- (21) Appl. No.: **29/665,719**
- (22) Filed: **Oct. 5, 2018**
- (51) **LOC (12) Cl.** ..... **03-02**
- (52) **U.S. Cl.**  
USPC ..... **D3/205**
- (58) **Field of Classification Search**  
USPC ..... D3/205, 206, 265  
See application file for complete search history.

- D625,611 S 10/2010 Higuchi et al.
  - D636,598 S 4/2011 Tseng et al.
  - D641,971 S \* 7/2011 Shibata ..... D3/206
  - D643,294 S 8/2011 Thorpe et al.
  - D673,430 S 1/2013 Glassman
  - 8,342,322 B2 1/2013 De'Rennaux
- (Continued)

**FOREIGN PATENT DOCUMENTS**

WO WO2013106634 A1 7/2013

*Primary Examiner* — Charles D Hanson

(74) *Attorney, Agent, or Firm* — John M. Lipchitz

(57) **CLAIM**

The ornamental design for a razor case, as shown and described.

**DESCRIPTION**

FIG. 1 is a first perspective view of a first embodiment of a razor case of the present invention in a closed position; FIG. 2 is a front view thereof; FIG. 3 is a rear view thereof; FIG. 4 is a right side view thereof; FIG. 5 is a left side view thereof; FIG. 6 is a top view thereof; FIG. 7 is a bottom view thereof; FIG. 8 is a second perspective view thereof; FIG. 9 is a first perspective view of a second embodiment of a razor case of the present invention in an open position; FIG. 10 is a front view thereof; FIG. 11 is a rear view thereof; FIG. 12 is a right side view thereof; FIG. 13 is a left side view thereof; FIG. 14 is a top view thereof; FIG. 15 is a bottom view thereof; and, FIG. 16 is a second perspective view thereof.

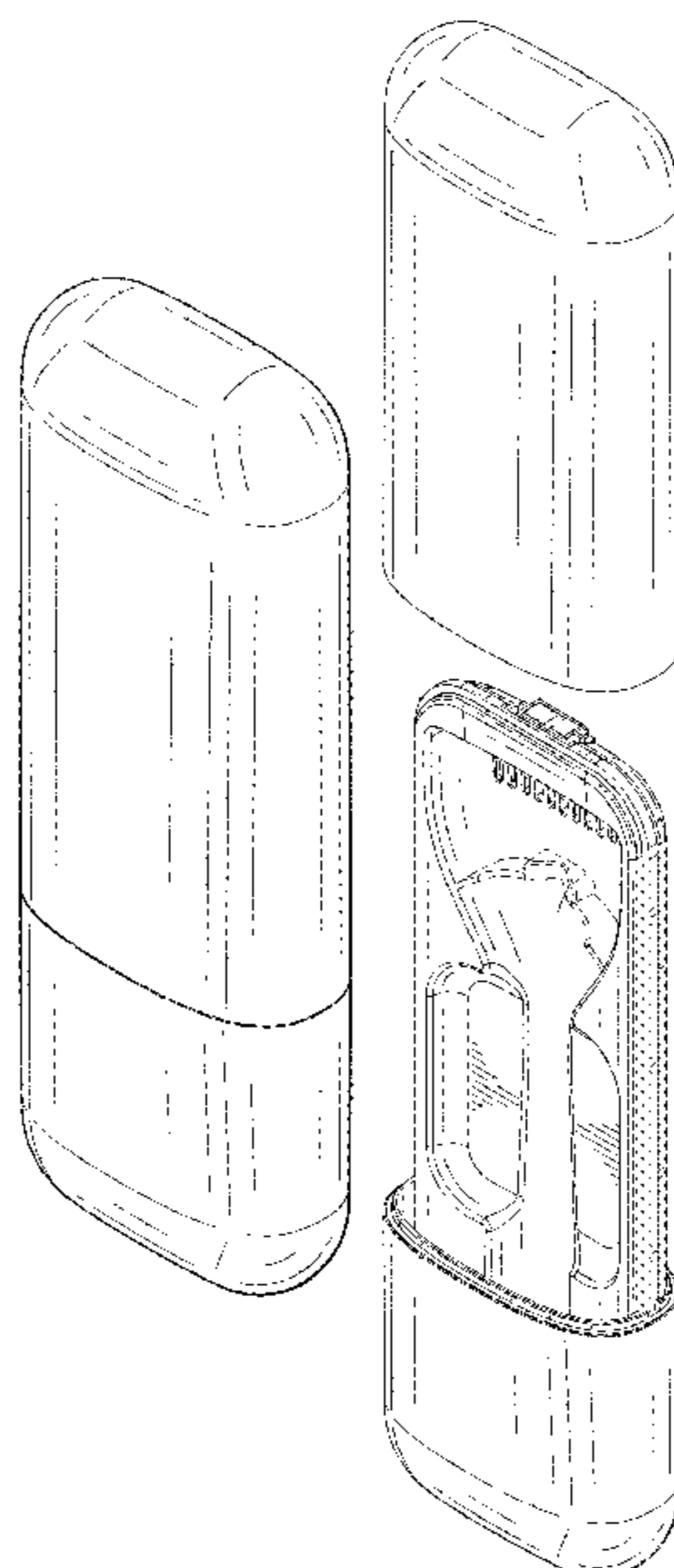
The broken lines are shown for illustrative purposes only and form no part of the claimed design.

(56) **References Cited**

**U.S. PATENT DOCUMENTS**

- D370,338 S 6/1996 Quist
- D484,684 S 1/2004 Eldon, III et al.
- D485,680 S \* 1/2004 Hasenfrantz ..... D3/215
- D534,423 S 1/2007 Tanner
- D571,556 S \* 6/2008 Raile ..... D3/265
- D572,476 S \* 7/2008 Raile ..... D3/265
- 7,412,995 B2 \* 8/2008 Arcese ..... A45C 3/06  
150/103
- D575,956 S \* 9/2008 Reardon ..... D3/295
- D577,193 S \* 9/2008 Raile ..... D3/265
- D584,964 S 1/2009 Schulz et al.
- D596,953 S 7/2009 Wonderley et al.
- D617,097 S \* 6/2010 Raile ..... D3/263

**1 Claim, 11 Drawing Sheets**



(56)

**References Cited**

U.S. PATENT DOCUMENTS

D681,938 S	5/2013	Pan	
D695,825 S *	12/2013	Jiang .....	D19/163
D702,942 S *	4/2014	Redman .....	D3/254
D723,912 S	3/2015	Shigeno et al.	
D731,784 S *	6/2015	McGarry .....	D3/205
D764,239 S	8/2016	Glassman et al.	
D817,781 S	5/2018	Way et al.	
D829,168 S	9/2018	Massee et al.	

\* cited by examiner

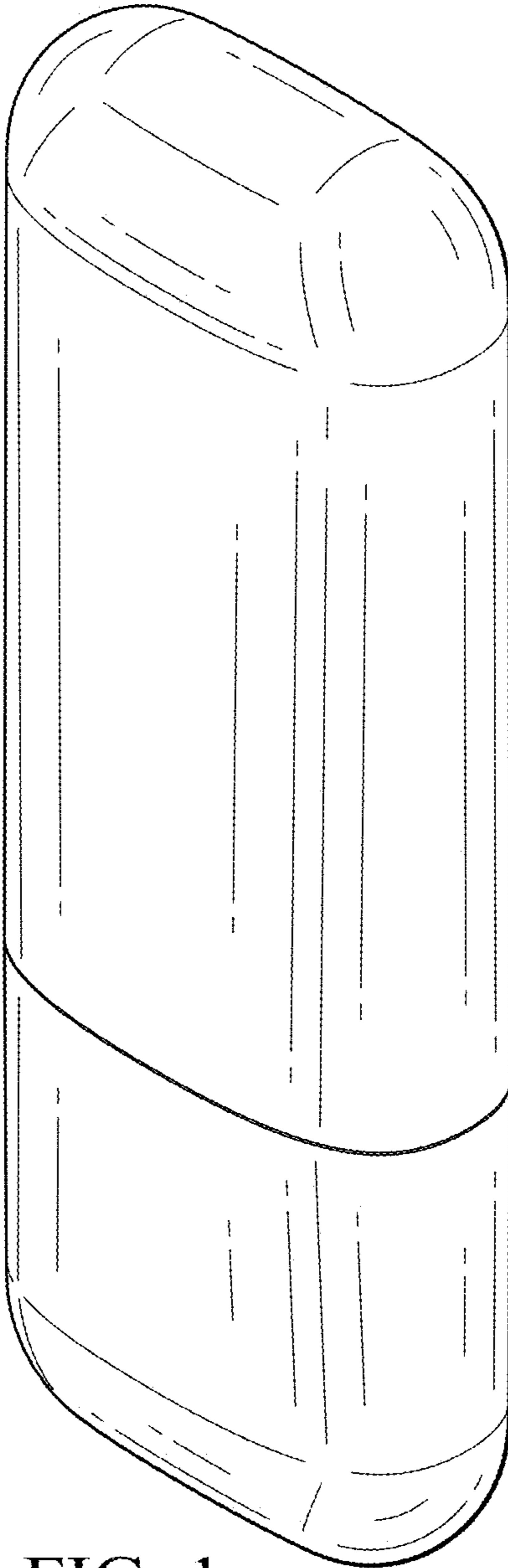


FIG. 1

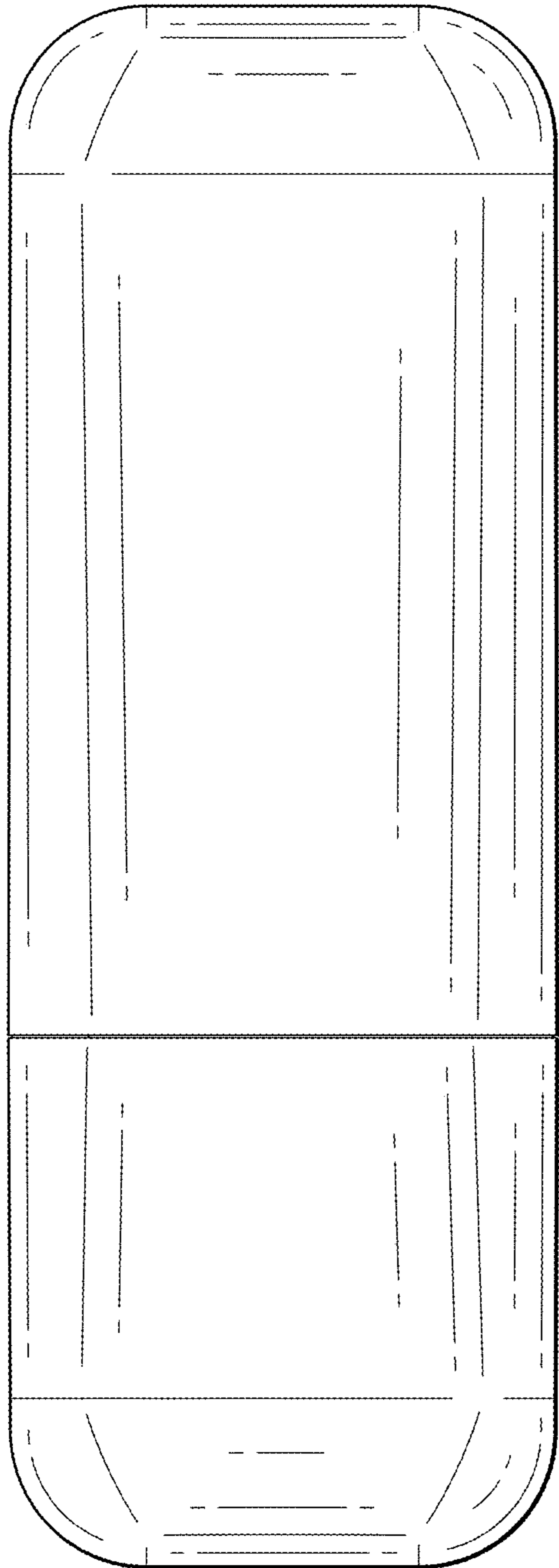


FIG. 2

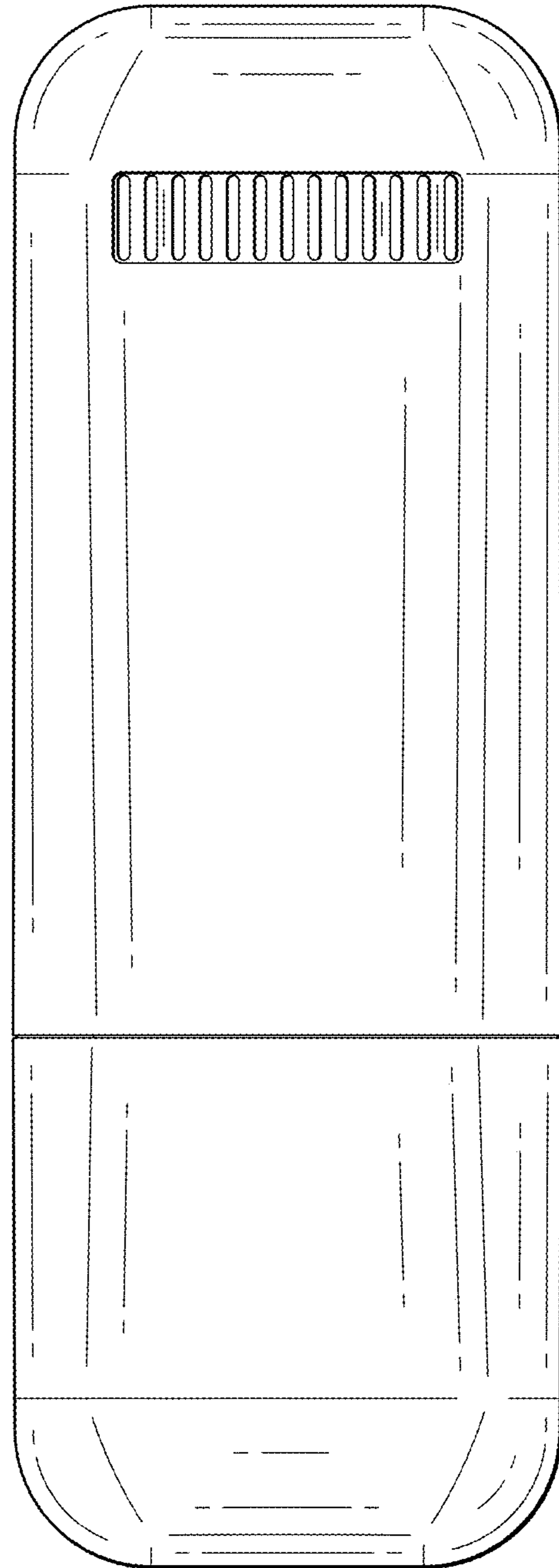


FIG. 3

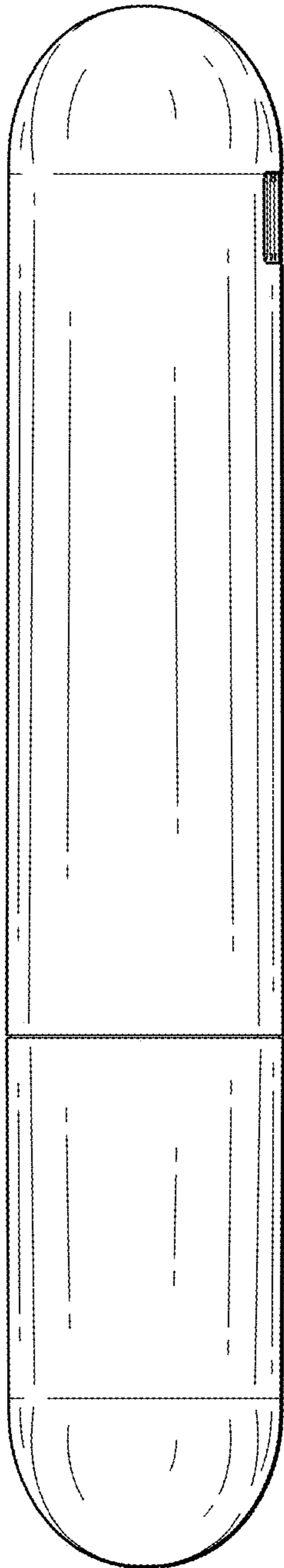


FIG. 4

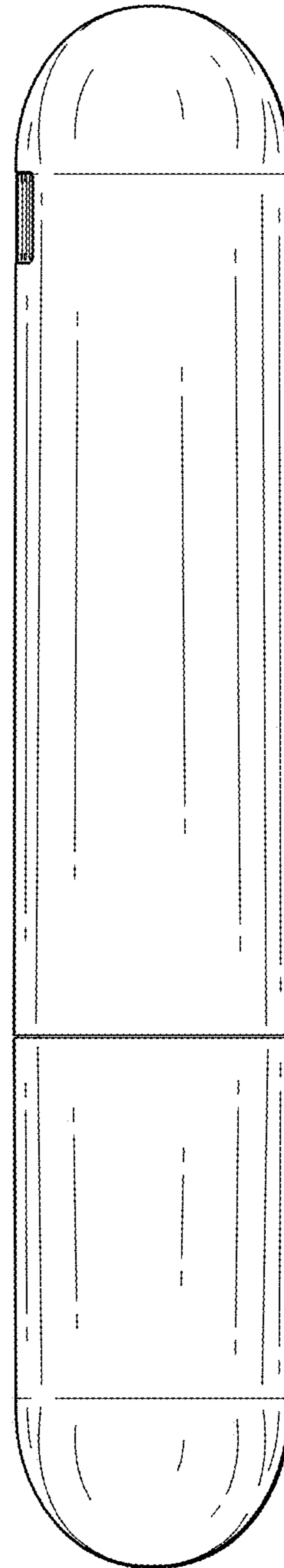


FIG. 5

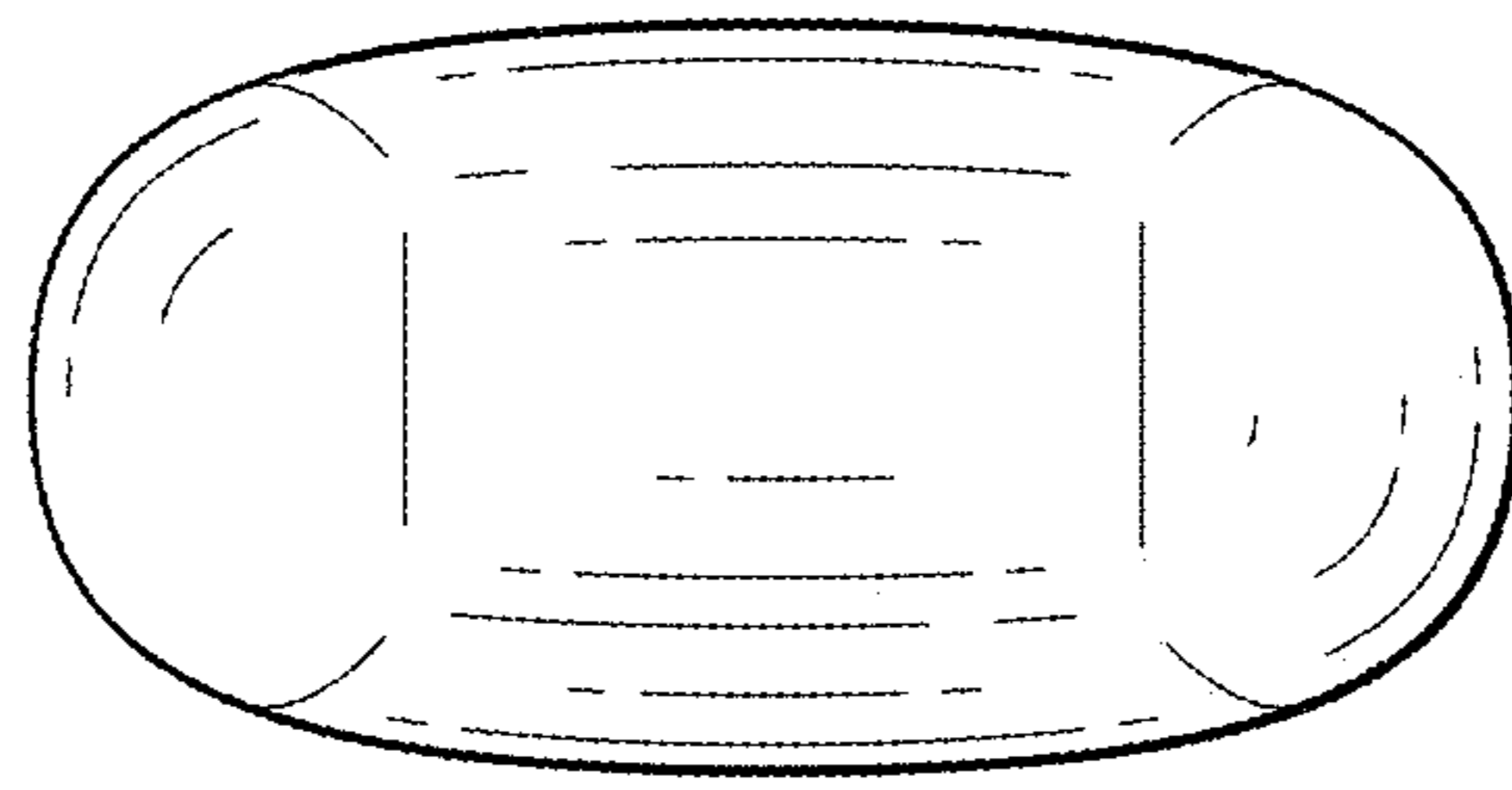


FIG. 6

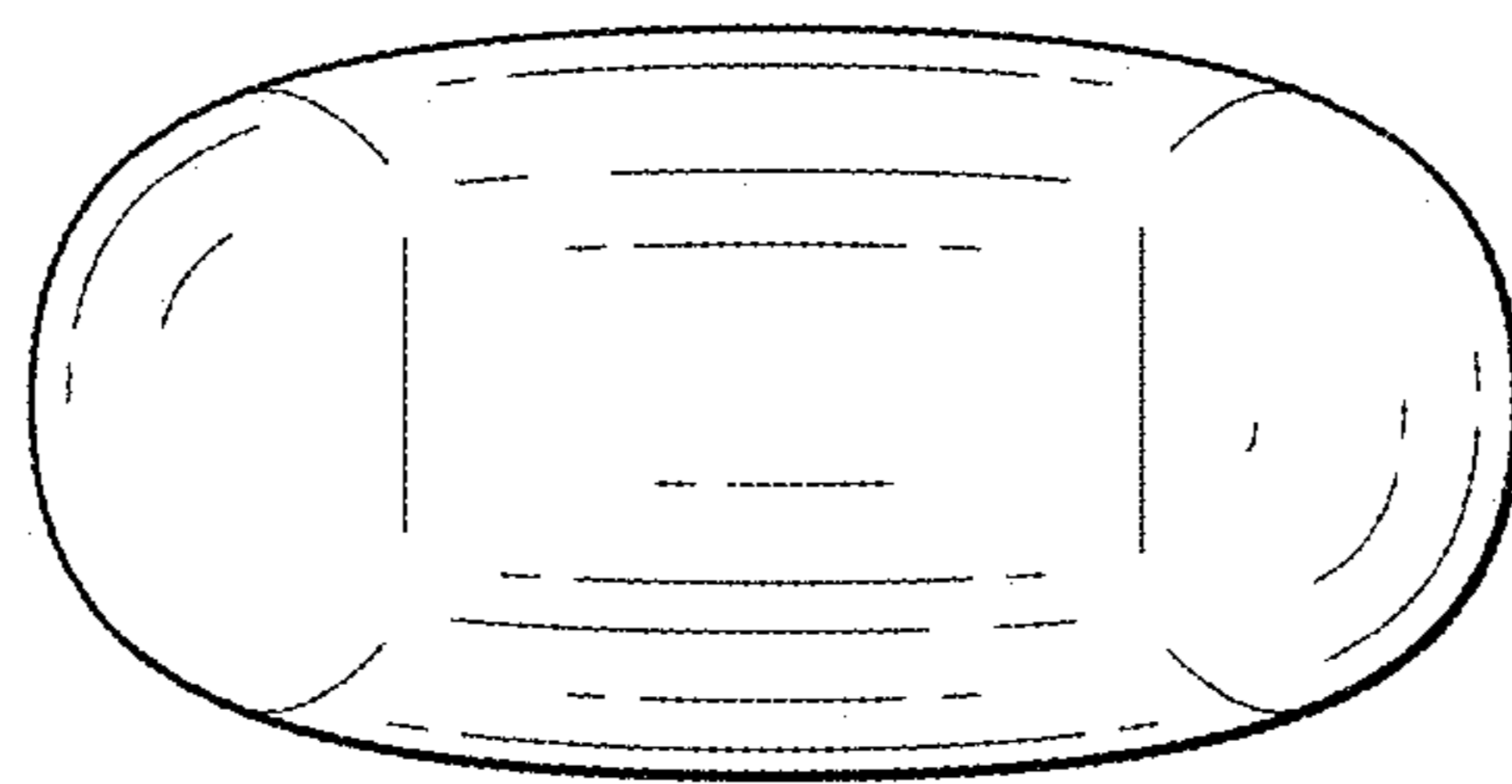


FIG. 7

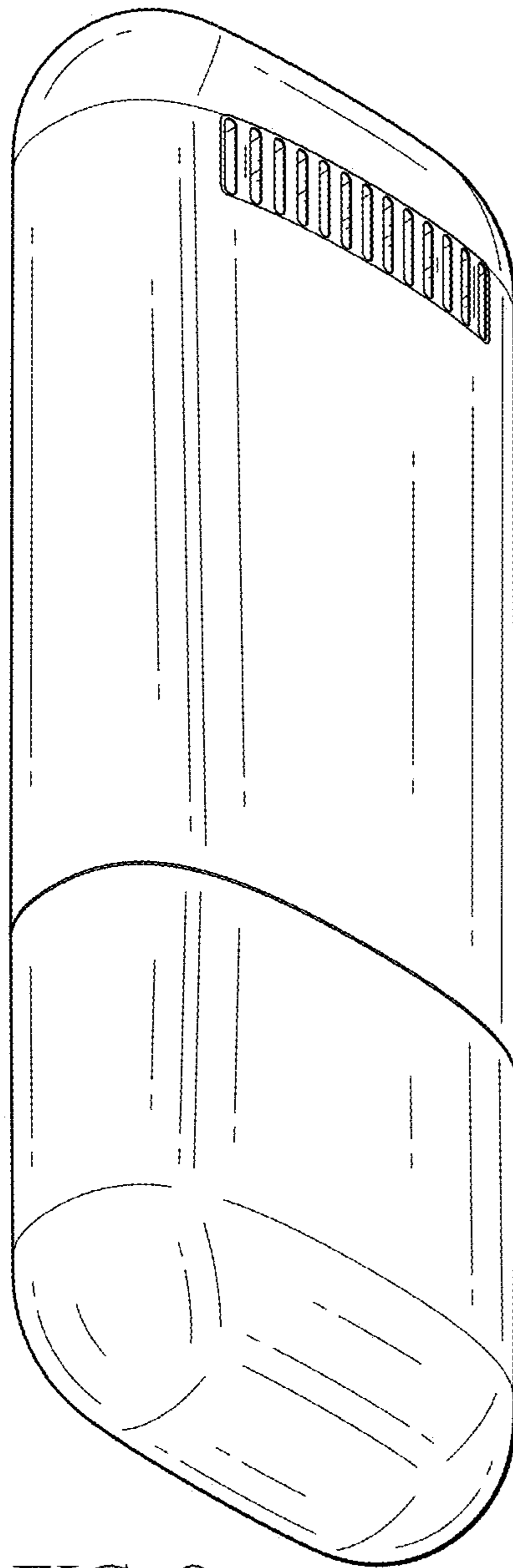


FIG. 8

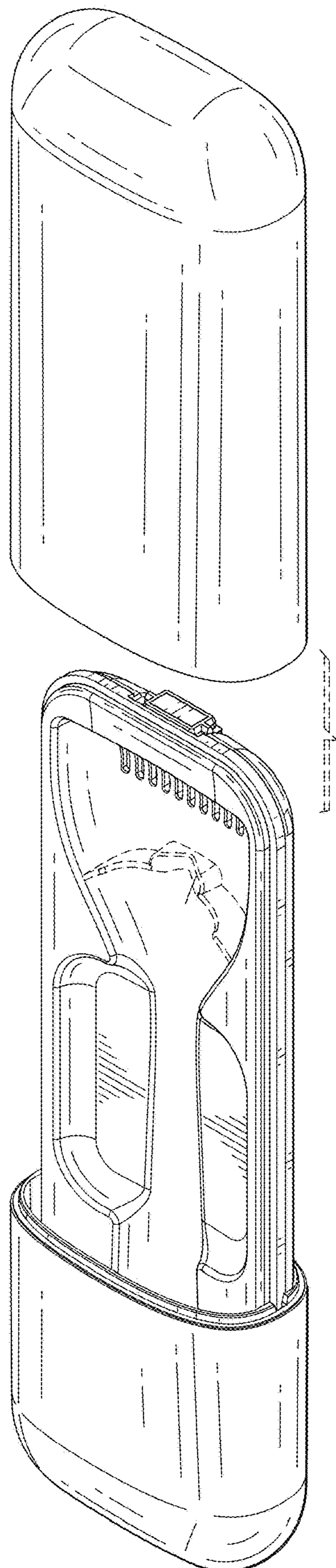


FIG. 9



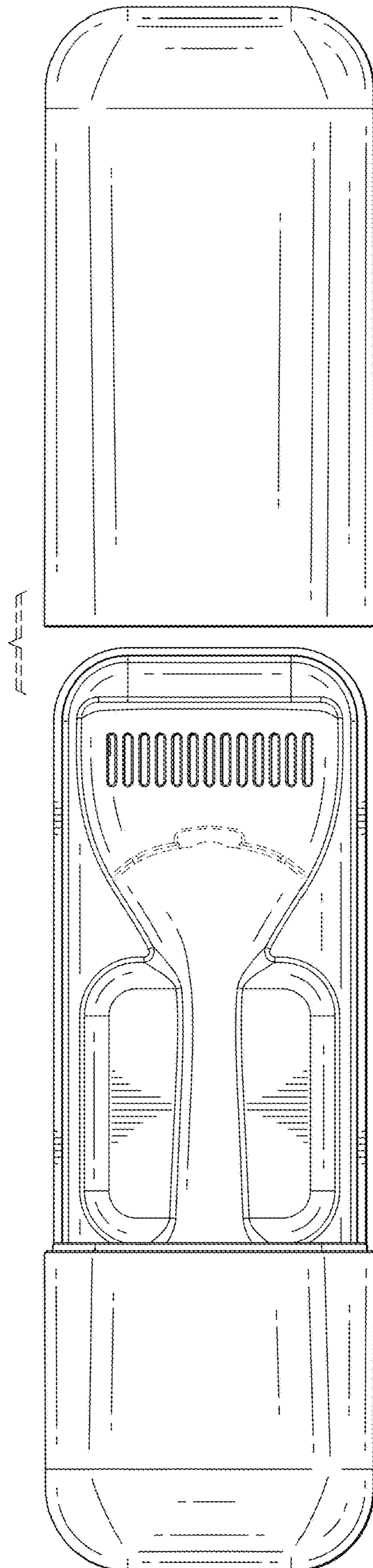


FIG. 10

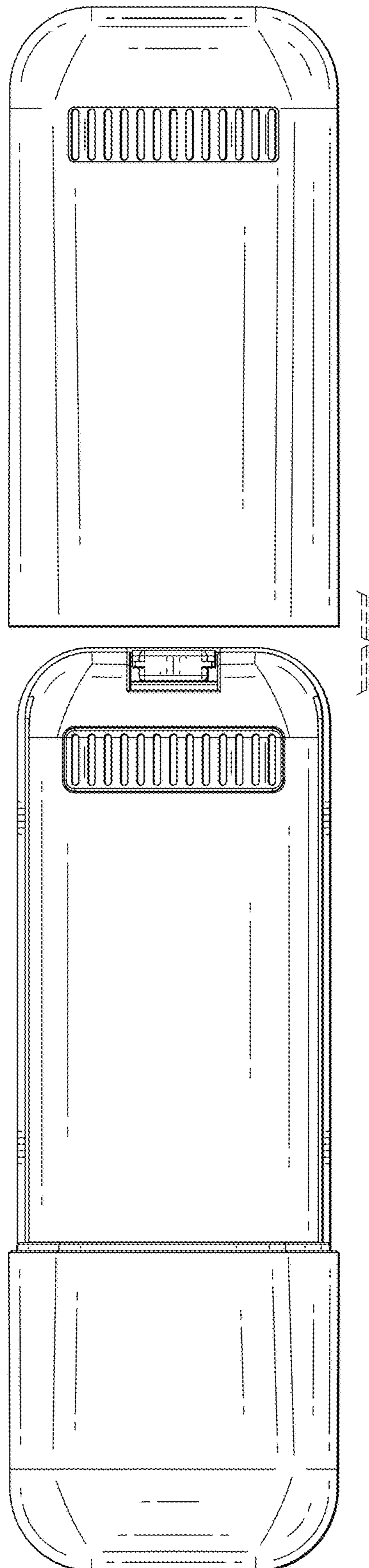


FIG. 11

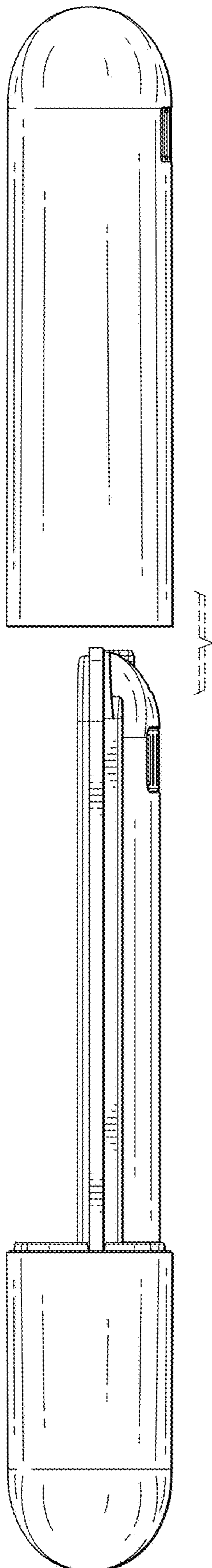


FIG. 12

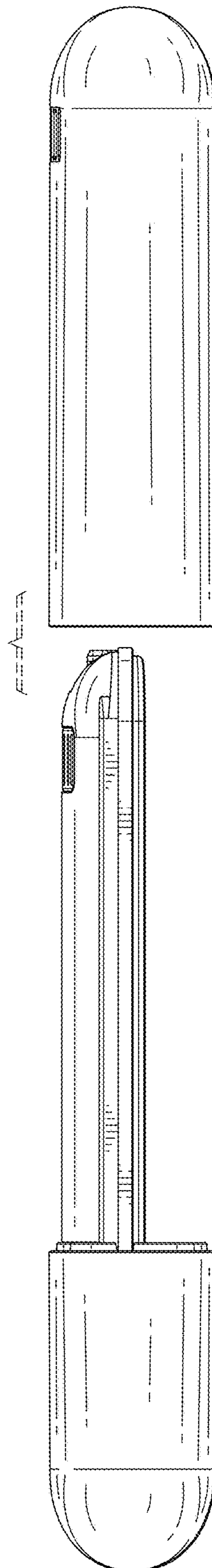


FIG. 13

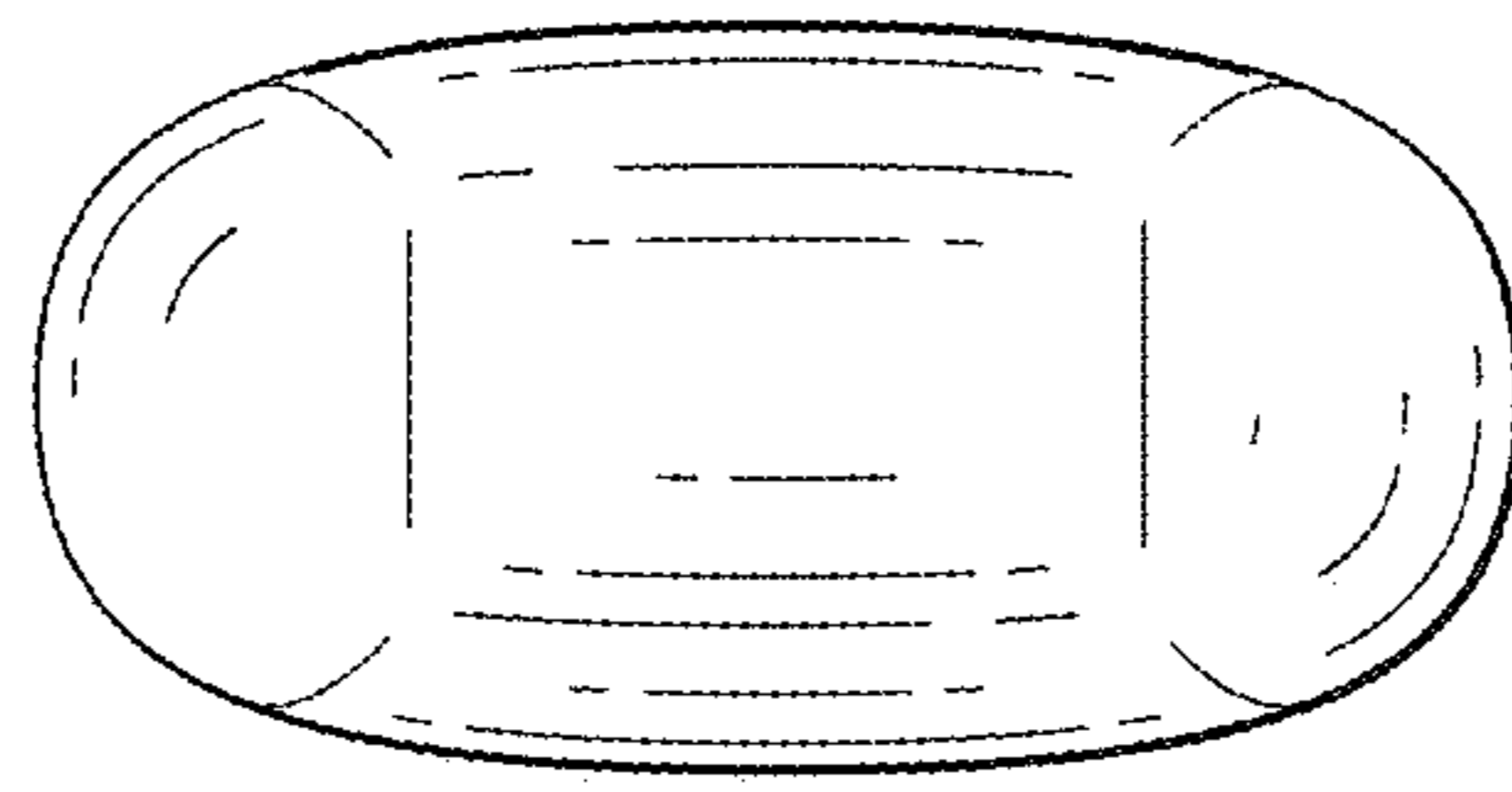


FIG. 14

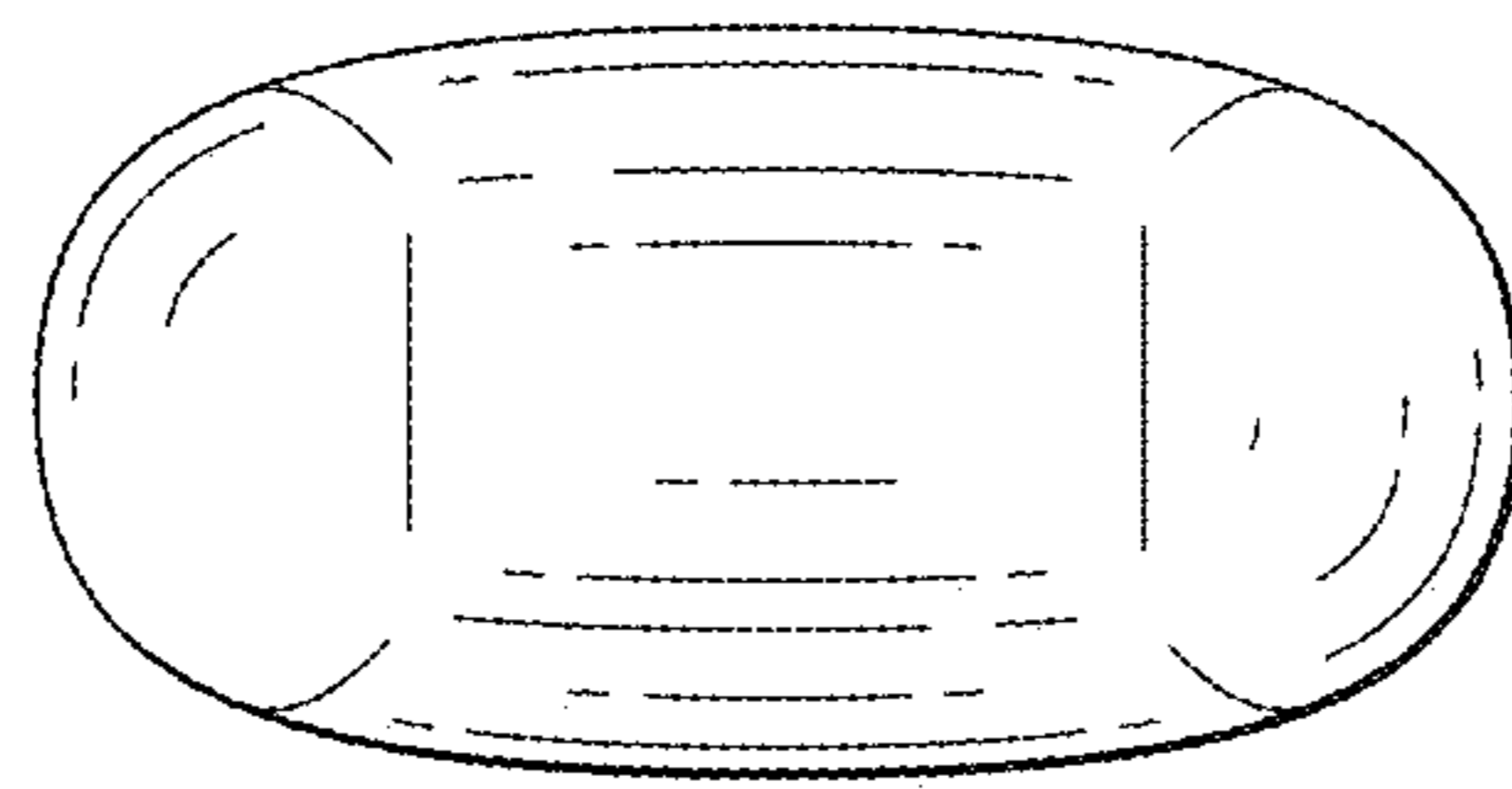


FIG. 15

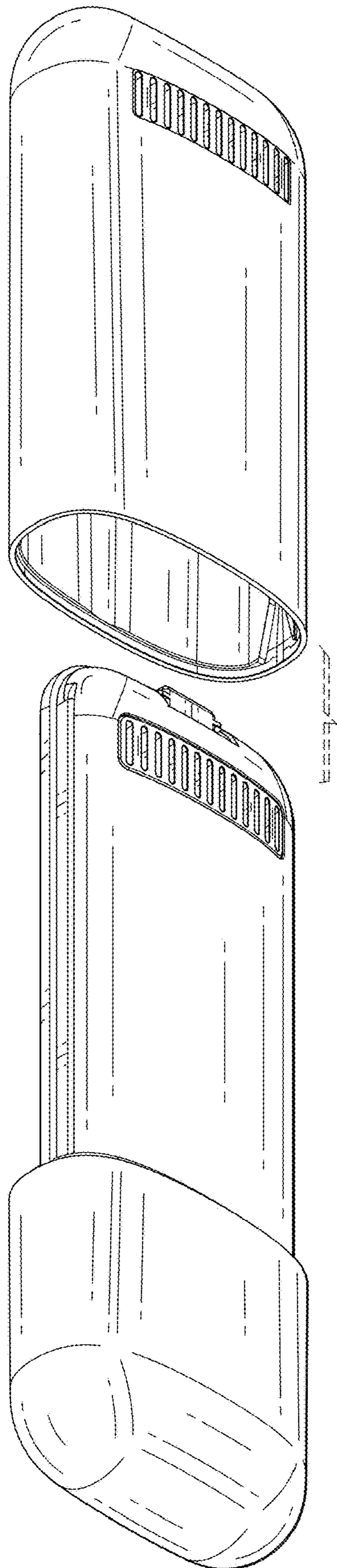


FIG. 16