



US00D873555S

(12) **United States Design Patent**
Wurm

(10) **Patent No.:** **US D873,555 S**
(45) **Date of Patent:** **** Jan. 28, 2020**

(54) **STORAGE CONTAINER FOR MEDICAL INSTRUMENTS OR MEDICAL BAGS**

(71) Applicant: **SINGLE USE SUPPORT GMBH, Kufstein (AT)**

(72) Inventor: **Thomas Wurm, Stumm (AT)**

(73) Assignee: **SINGLE USE SUPPORT GMBH, Kufstein (AT)**

(**) Term: **15 Years**

(21) Appl. No.: **35/505,091**

(22) Filed: **Mar. 29, 2018**

(80) **Hague Agreement Data**

Int. Filing Date: **Mar. 29, 2018**

Int. Reg. No.: **DM/101311**

Int. Reg. Date: **Mar. 29, 2018**

Int. Reg. Pub. Date: **Jun. 8, 2018**

(30) **Foreign Application Priority Data**

Oct. 3, 2017 (EM) 4383057

(51) **LOC (12) Cl.** **03-01**

(52) **U.S. Cl.**
USPC **D3/203.1; D9/432**

(58) **Field of Classification Search**
USPC D3/20, 201-203.8; D7/554.3; D9/414, D9/420, 423, 432, 433; D24/121, 227
CPC . B65D 5/22; B65D 5/68; B65D 5/504; B65D 5/4608; B65D 5/4295; B65D 5/2057; B65D 5/0227; B65D 5/4204; B65D 2571/0016; A61M 1/0088
See application file for complete search history.

(56) **References Cited**

U.S. PATENT DOCUMENTS

2,889,978 A * 6/1959 Linville B65D 5/22
229/117.16
4,285,150 A * 8/1981 Richardson B65D 5/4266
229/150

D292,357 S * 10/1987 Narain D7/388
D319,785 S * 9/1991 Kilmartin, III D9/423
D342,379 S * 12/1993 Taniyama D6/634
D352,116 S * 11/1994 Kienholz D24/227
D365,023 S * 12/1995 Abrams D9/423
D375,620 S * 11/1996 Chan D3/20
D585,737 S * 2/2009 Double D9/432
D642,456 S * 8/2011 Mittelstaedt D9/432
D674,691 S * 1/2013 Martineck D9/432
D685,634 S * 7/2013 Scott D9/432
D744,829 S * 12/2015 Deering D9/432
9,352,888 B2 * 5/2016 Scott B65D 55/02
D758,851 S * 6/2016 Binder D9/432
D833,734 S * 11/2018 Binder D3/203.6
D841,311 S * 2/2019 Young D3/203.1

(Continued)

Primary Examiner — Jennifer L Watkins

(74) *Attorney, Agent, or Firm* — Wenderoth, Lind & Ponack, L.L.P.

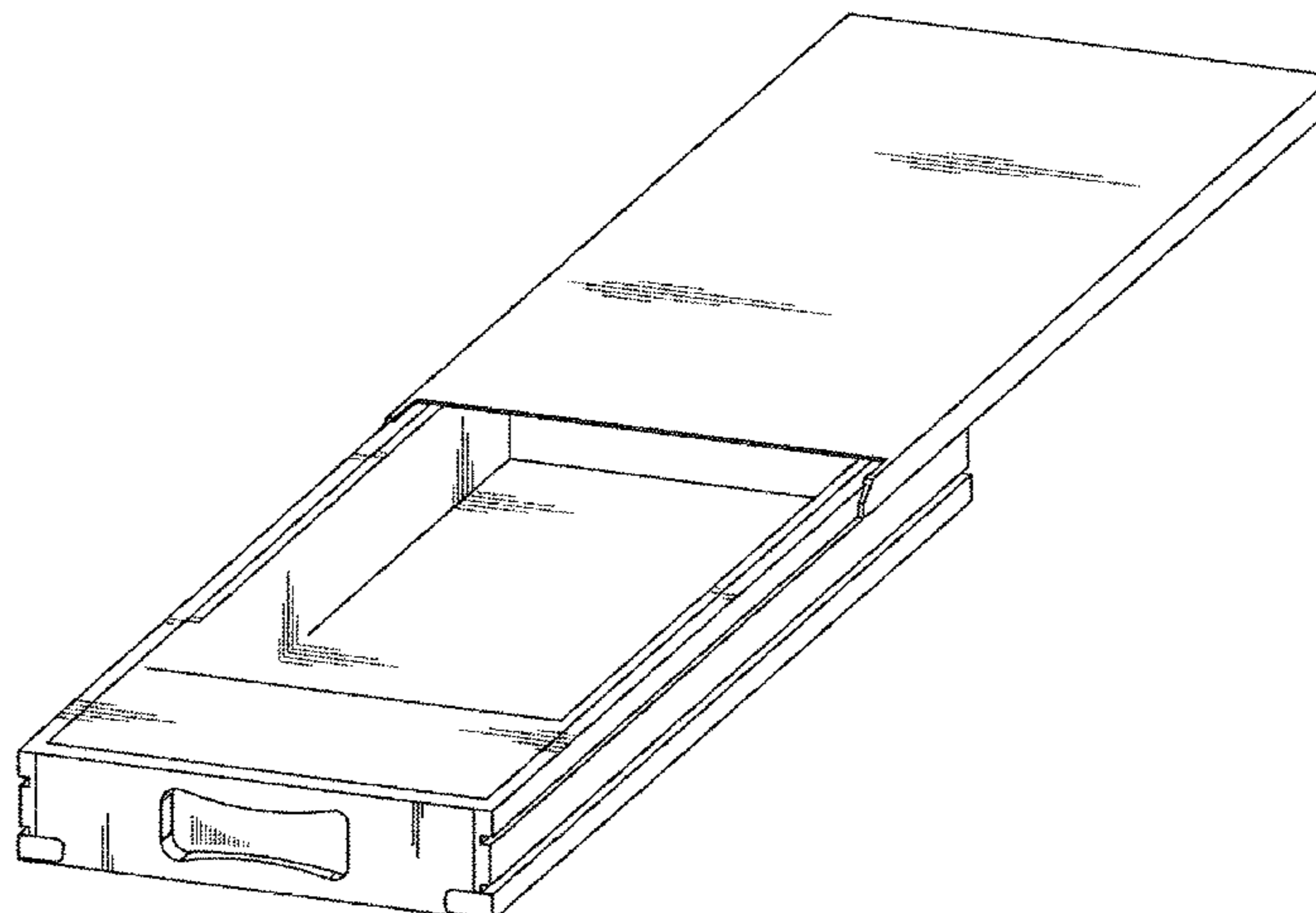
(57) **CLAIM**

The ornamental design for a storage container for medical instruments or medical bags, as shown and described.

DESCRIPTION

FIG. 1.1 is a front elevation view of a storage container for medical instruments or medical bags;
FIG. 1.2 is a back elevation view thereof;
FIG. 1.3 is a top elevation view thereof;
FIG. 1.4 is a bottom elevation view thereof;
FIG. 1.5 is a left elevation view thereof;
FIG. 1.6 is a right elevation view thereof;
FIG. 1.7 is a front perspective view thereof;
FIG. 1.8 is a front perspective view thereof with an opened cover; and
FIG. 1.9 is a front perspective view thereof without a cover.

1 Claim, 9 Drawing Sheets



(56)

References Cited

U.S. PATENT DOCUMENTS

2005/0067477 A1* 3/2005 McClure B65D 5/0015
229/143
2008/0237323 A1* 10/2008 Mittelstaedt B65D 5/22
229/117.16

* cited by examiner

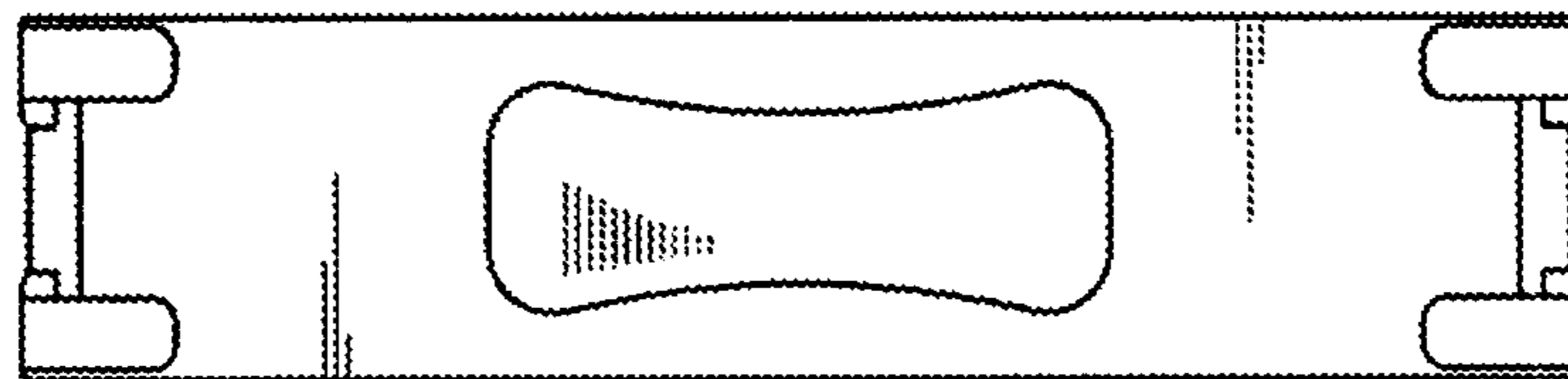


FIG. 1.1

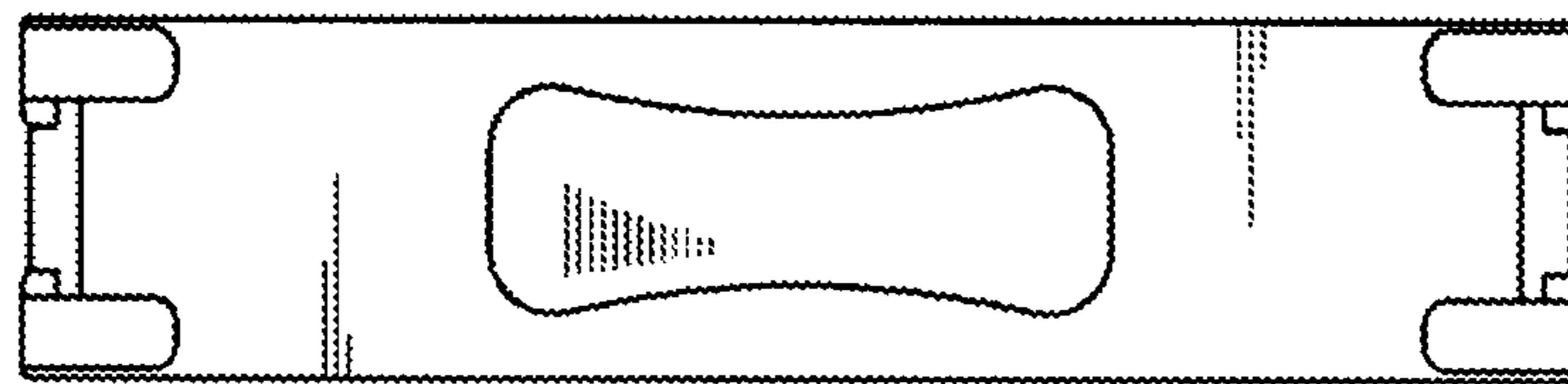


FIG. 1.2

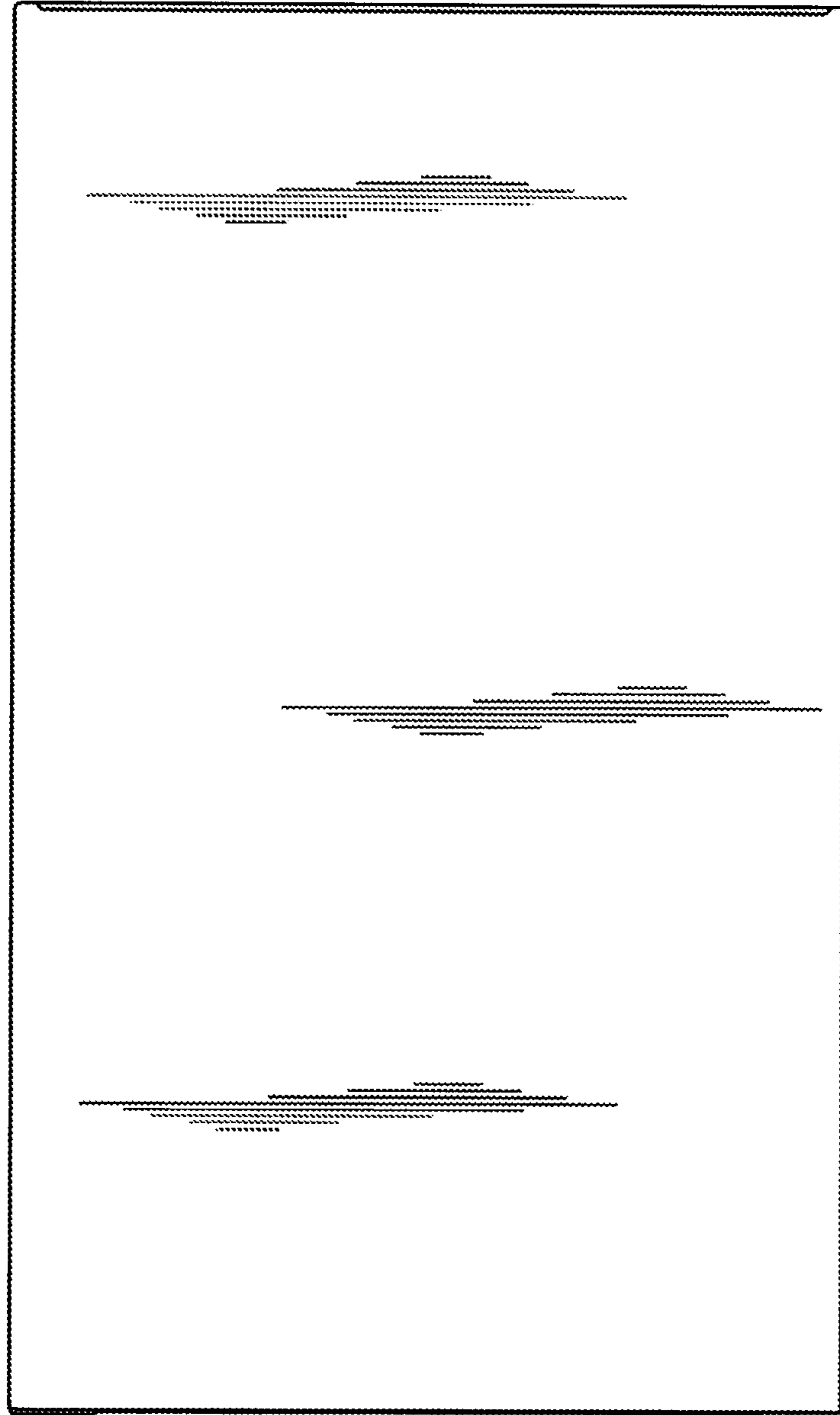


FIG. 1.3



FIG. 1.4

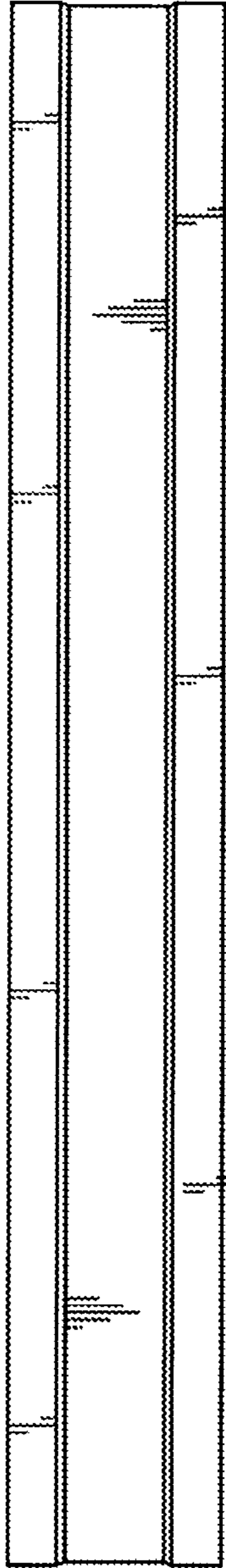


FIG. 1.5

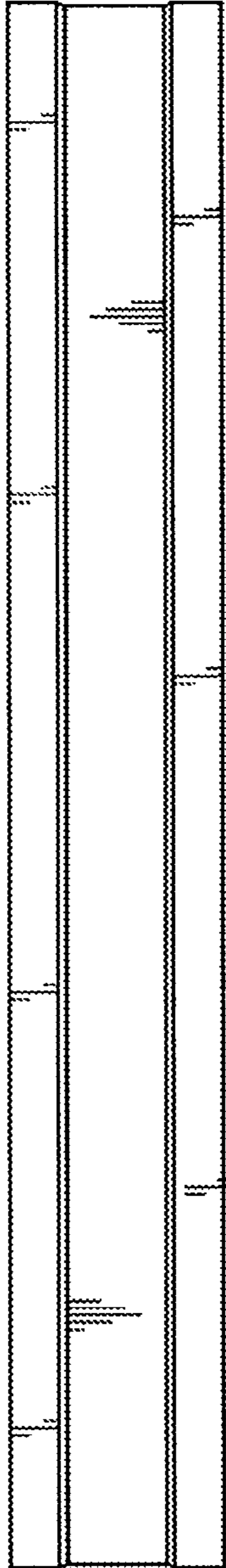


FIG. 1.6

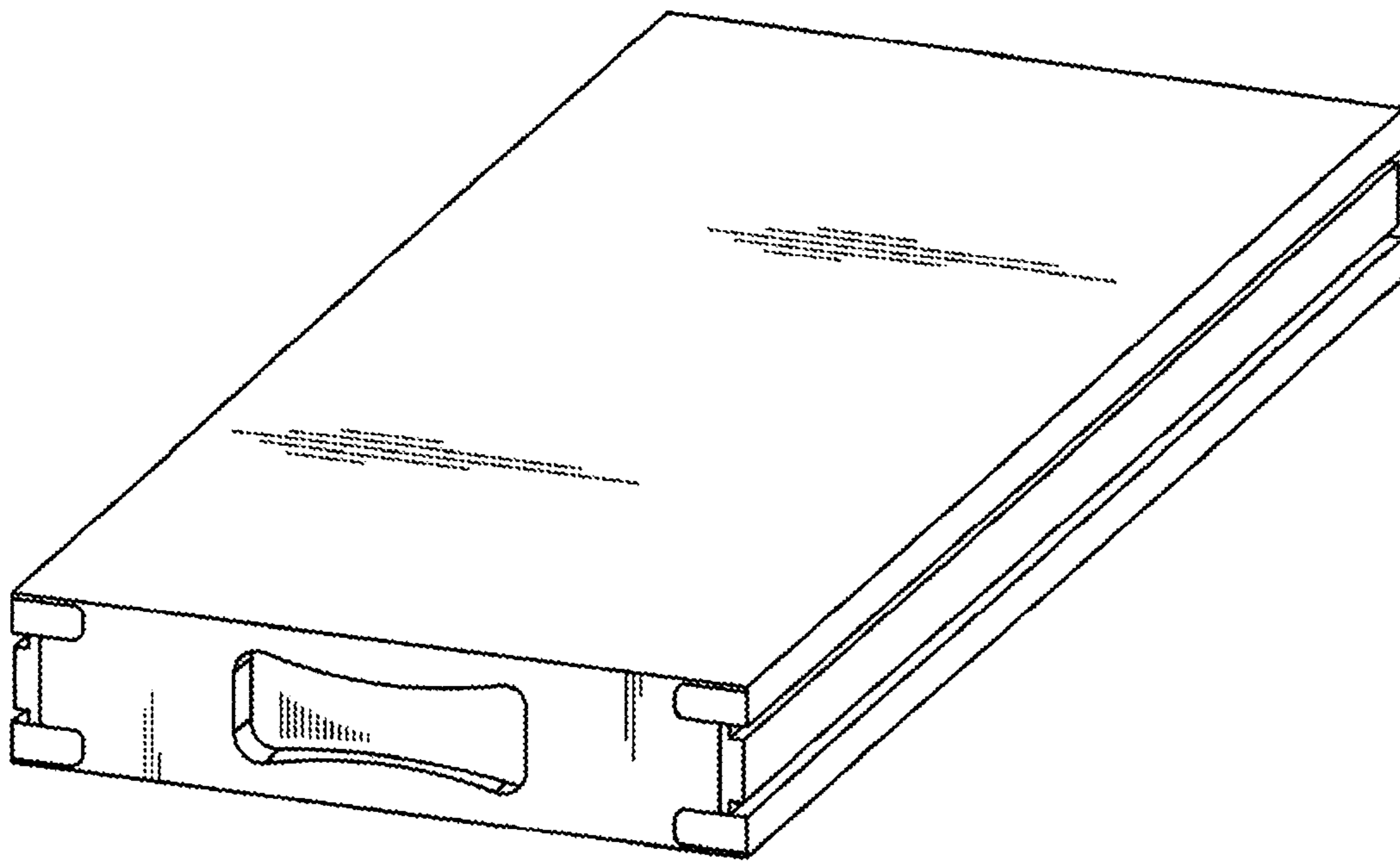


FIG. 1.7

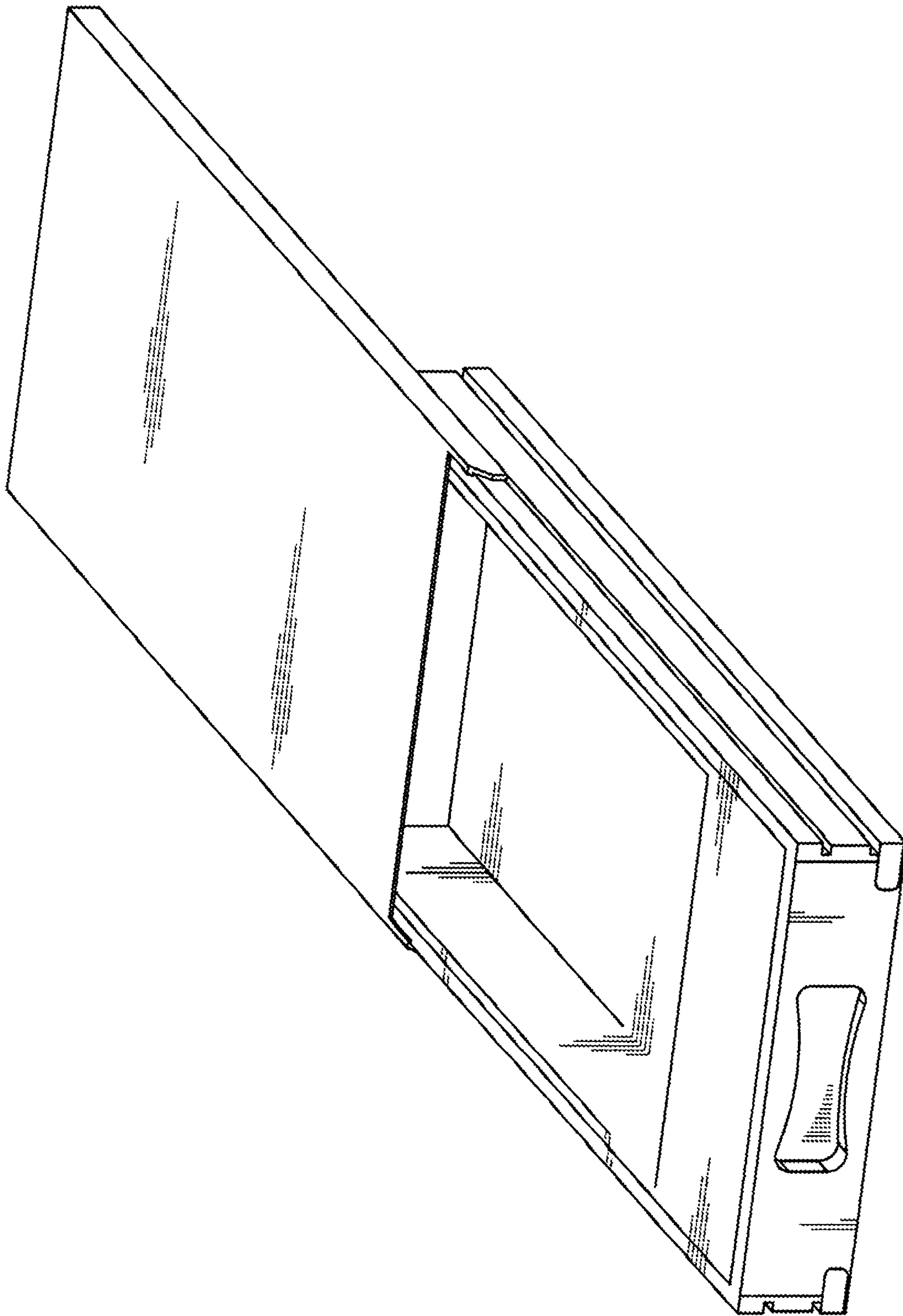


FIG. 1.8

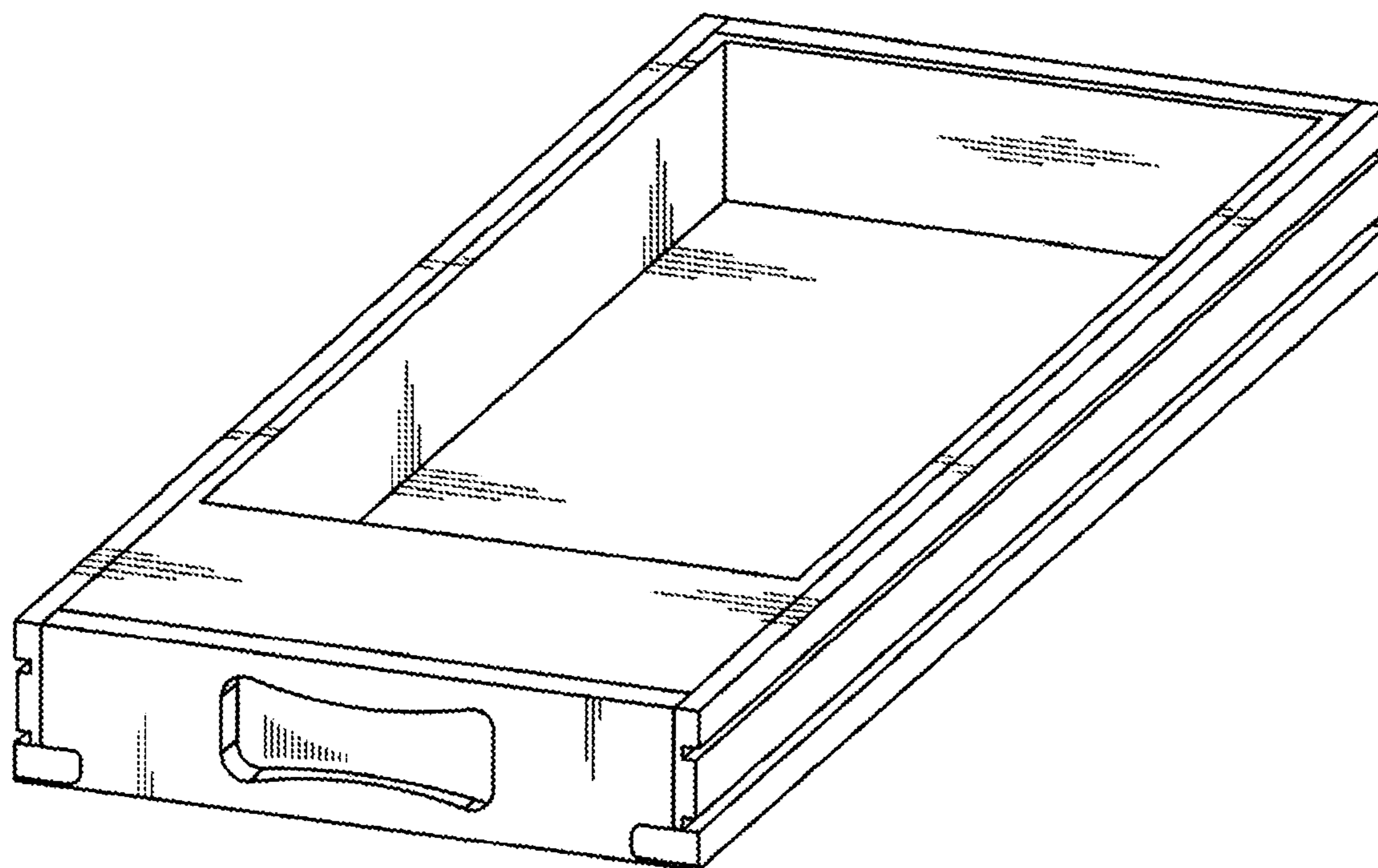


FIG. 1.9