



US00D873554S

(12) **United States Design Patent** (10) **Patent No.:** **US D873,554 S**
Montague et al. (45) **Date of Patent:** **** Jan. 28, 2020**

(54) **AUTOMATED EXTERNAL DEFIBRILLATOR CASE**

D811,722 S * 3/2018 Padden D3/203.1
D813,540 S * 3/2018 Copek D3/301
2003/0120311 A1* 6/2003 Hansen A61N 1/39
607/5

(71) Applicant: **EIR, Inc.**, Denver, CO (US)

(Continued)

(72) Inventors: **Gary Montague**, Denver, CO (US);
Bartosz Korec, Palm Harbor, FL (US);
Philip D'Almada Remedios, Palm Harbor, FL (US)

OTHER PUBLICATIONS

PCT Patent Application PCT/US2017/067442 International Search Report and Written Opinion dated Apr. 19, 2018.

(Continued)

(73) Assignee: **EIR, Inc.**, Denver, CO (US)

(**) Term: **15 Years**

Primary Examiner — Mark A Goodwin

Assistant Examiner — Benjamin M Weeks

(21) Appl. No.: **29/661,184**

(74) *Attorney, Agent, or Firm* — Erise IP, P.A.

(22) Filed: **Aug. 24, 2018**

(57) **CLAIM**

The ornamental design for an automated external defibrillator case, as shown and described.

(51) **LOC (12) Cl.** **03-01**

(52) **U.S. Cl.**
USPC **D3/203.1**

DESCRIPTION

(58) **Field of Classification Search**
USPC D3/201, 203.1, 203.3, 203.6, 203.7, 216,
D3/217, 267, 285, 287, 289, 301
CPC .. A45C 3/08; A45C 3/06; A45C 13/08; A45C
13/02; A45C 7/0086; A45C 3/00; A45C
13/26; A45F 3/04; A45F 3/02
See application file for complete search history.

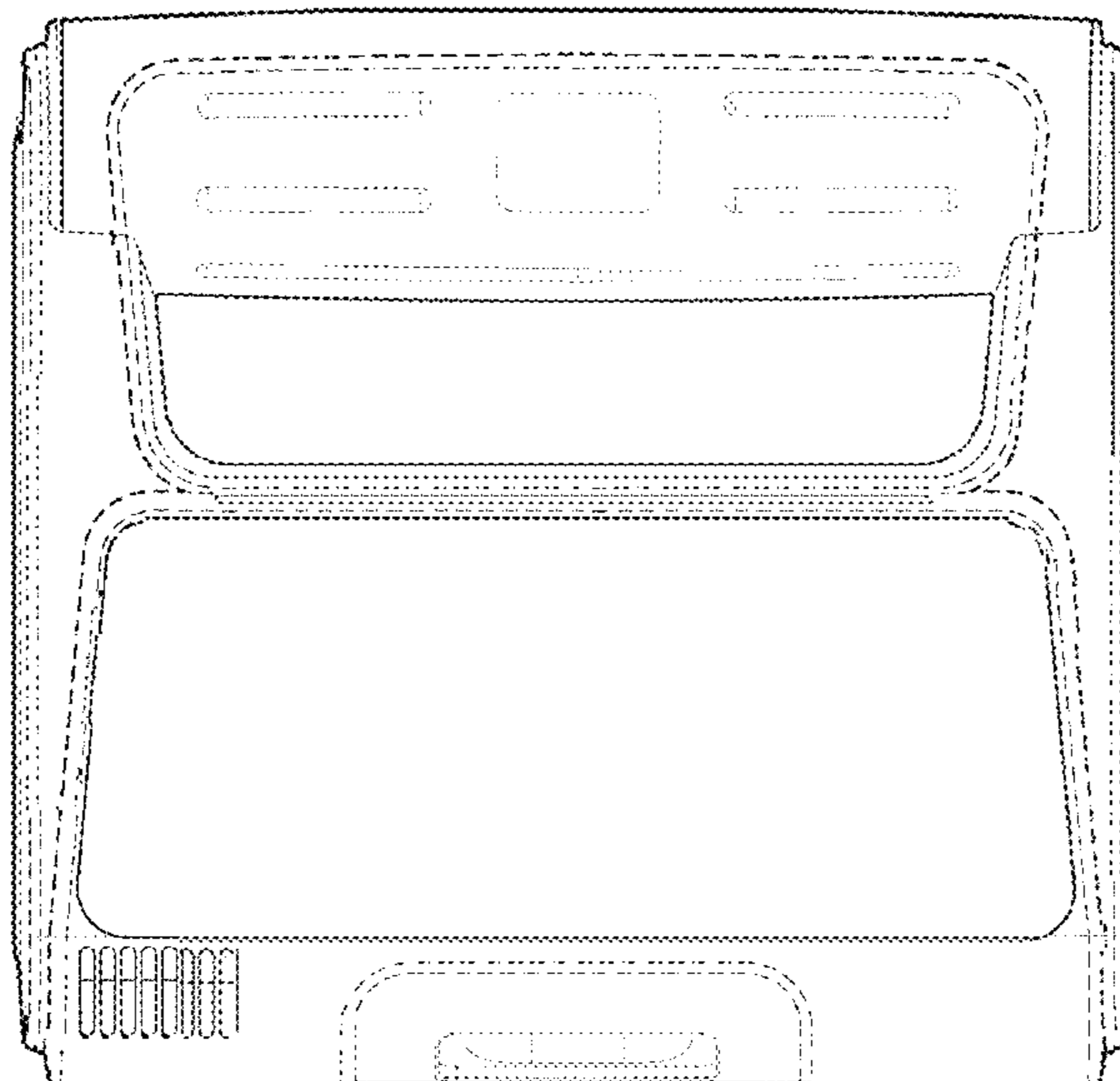
FIG. 1 is a top view of an automated external defibrillator case from above;
FIG. 2 is a side view of the automated external defibrillator case from a first side;
FIG. 3 is a side view of the automated external defibrillator case from a second side, opposite the first side;
FIG. 4 is a front view of the automated external defibrillator case;
FIG. 5 is a bottom view of the automated external defibrillator case from below;
FIG. 6 is a rear view of the automated external defibrillator case;
FIG. 7 is a front perspective view of the automated external defibrillator case from above; and,
FIG. 8 is a rear perspective view of the automated external defibrillator case from above.
In FIGS. 1-8, the broken lines represent portions of the automated external defibrillator case that form no part of the claimed design.

(56) **References Cited**

U.S. PATENT DOCUMENTS

6,173,203 B1 * 1/2001 Barkley A61N 1/3931
607/36
6,366,809 B1 * 4/2002 Olson A61N 1/3975
607/29
D525,790 S * 8/2006 Heroux D3/301
D544,703 S * 6/2007 Hadjis D3/203.1
D632,079 S * 2/2011 Spencer D3/301
8,888,309 B1 * 11/2014 Foo A45C 15/06
362/154
D729,521 S * 5/2015 Ashry D3/299
D754,969 S * 5/2016 Godshaw D3/299

1 Claim, 8 Drawing Sheets



(56)

References Cited

U.S. PATENT DOCUMENTS

2005/0053312 A1* 3/2005 Hankins A45C 3/00
383/4
2007/0032830 A1 2/2007 Bowers
2011/0190839 A1 8/2011 Vaisnys et al.
2011/0224745 A1 9/2011 Magruder
2013/0012151 A1 1/2013 Hankins
2013/0132465 A1 5/2013 Brown
2014/0004814 A1 1/2014 Elghazzawi
2014/0277227 A1 9/2014 Petersen et al.
2016/0220833 A1 8/2016 Qing et al.
2019/0255341 A1* 8/2019 Buchanan A61N 1/3904

OTHER PUBLICATIONS

Automated External Defibrillators-New AEDs-AED.com, www.aed.com/new-aeds.html. Retrieved Sep. 14, 2018.

How Corpuls Works, Always Very Close to the User, <https://corpuls.world/>, Copyright 2017, Retrieved Sep. 14, 2018.
Heartsmart.com, Defibtech Lifeline AED, www.heartsmart.com/defibtech-lifeline-aed-defibrillator-p/dcf-100.htm, Copyright 2015, Retrieved Sep. 14, 2018.
Schiller the Art of Diagnostics, The World's First Pocket Defibrillator Fred Easyport, www.schiller.ch/ca/us/product/fred-easyport, Retrieved Sep. 14, 2018.
Phillips, HeartStart FRx Automated External Defibrillator, www.usa.philips.com/healthcare/product/HC861304/heartstart-frx-automated-external-defibrillator, Copyright 2004-2018, Retrieved Sep. 14, 2018.
Phillips, HeartStart OnSite AED, Product No. M5066A, www.usa.philips.com/healthcare/product/HCM5066A/heartstart-onsite-aed, Copyright 2004-2018, Retrieved Sep. 14, 2018.
Physio Control, Product Overview, www.physio-control.com/ProductsPrehospital.aspx, Copyright 2018, Retrieved Sep. 14, 2018.

* cited by examiner

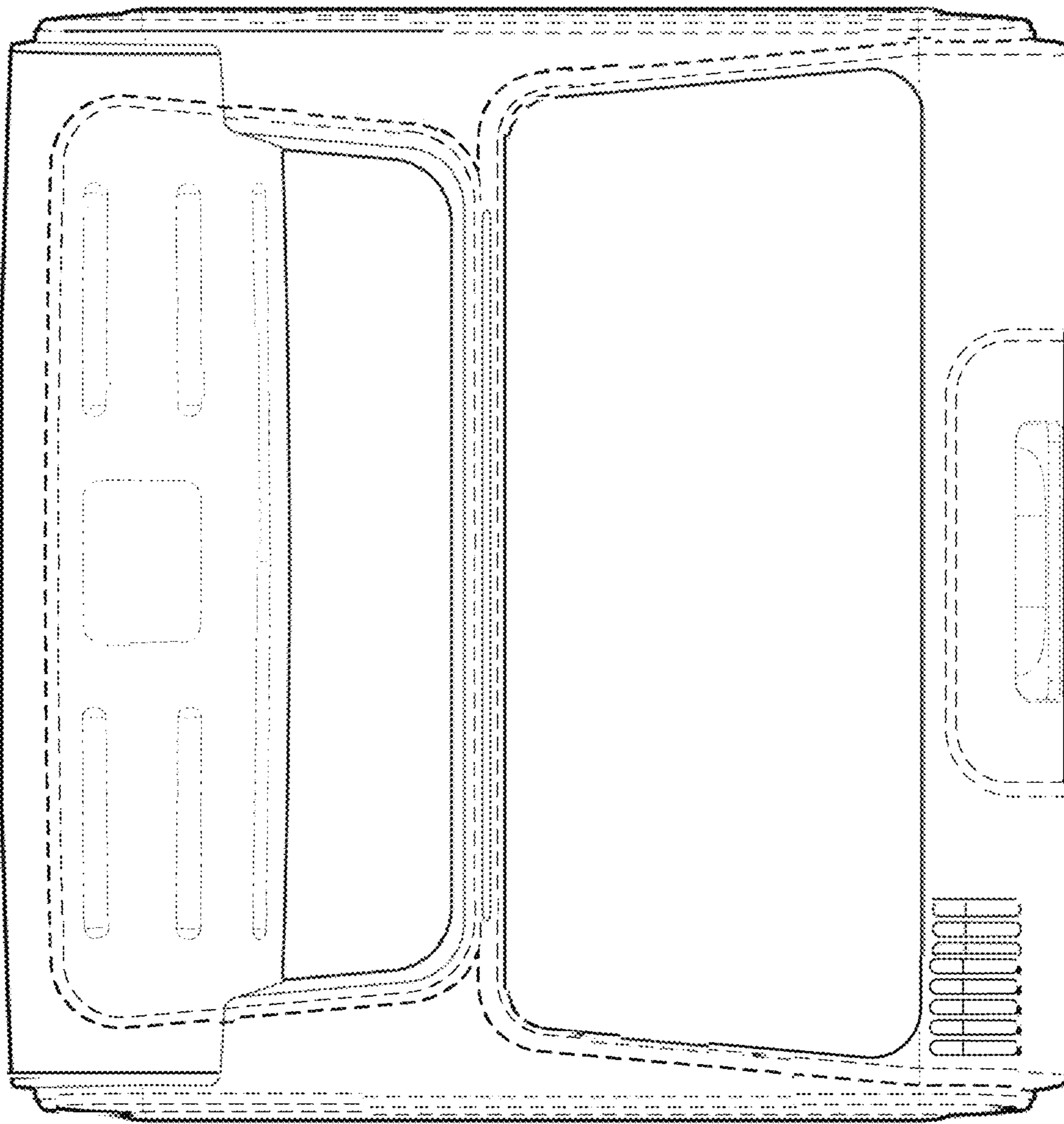


FIG. 1

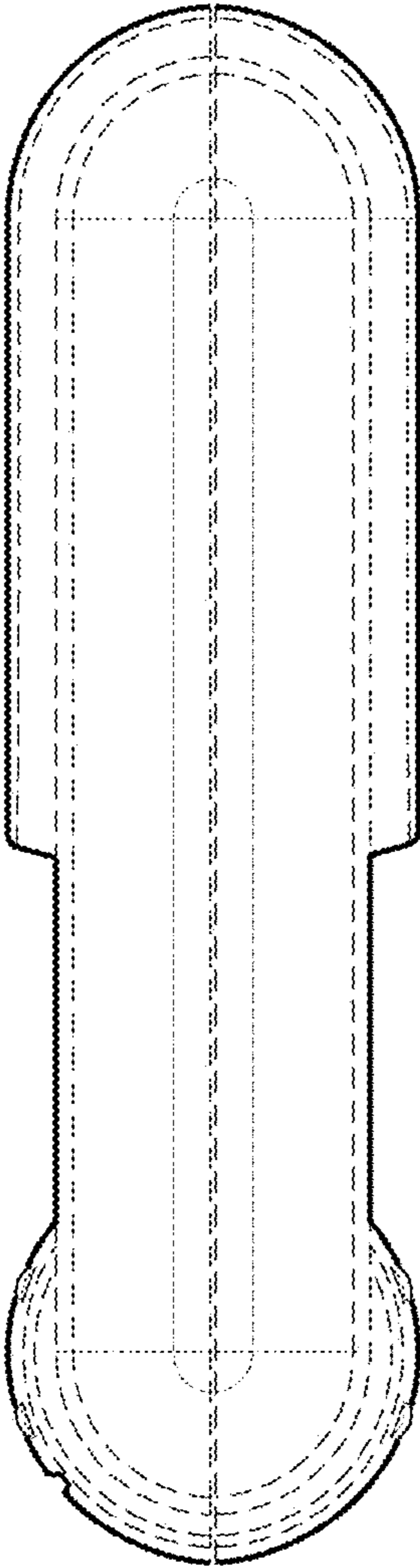


FIG. 2

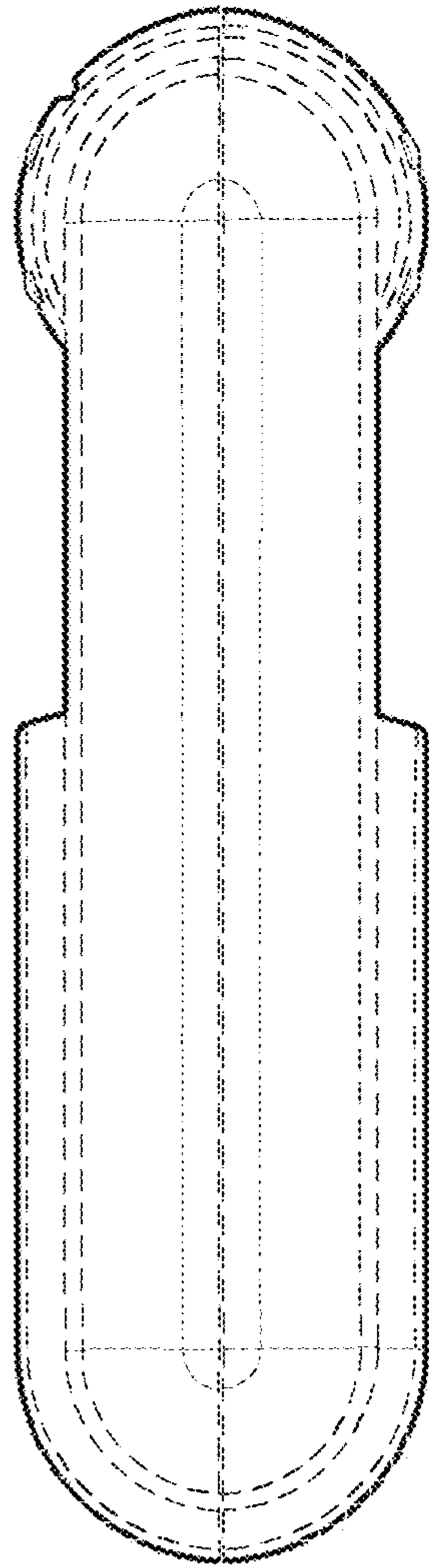


FIG. 3

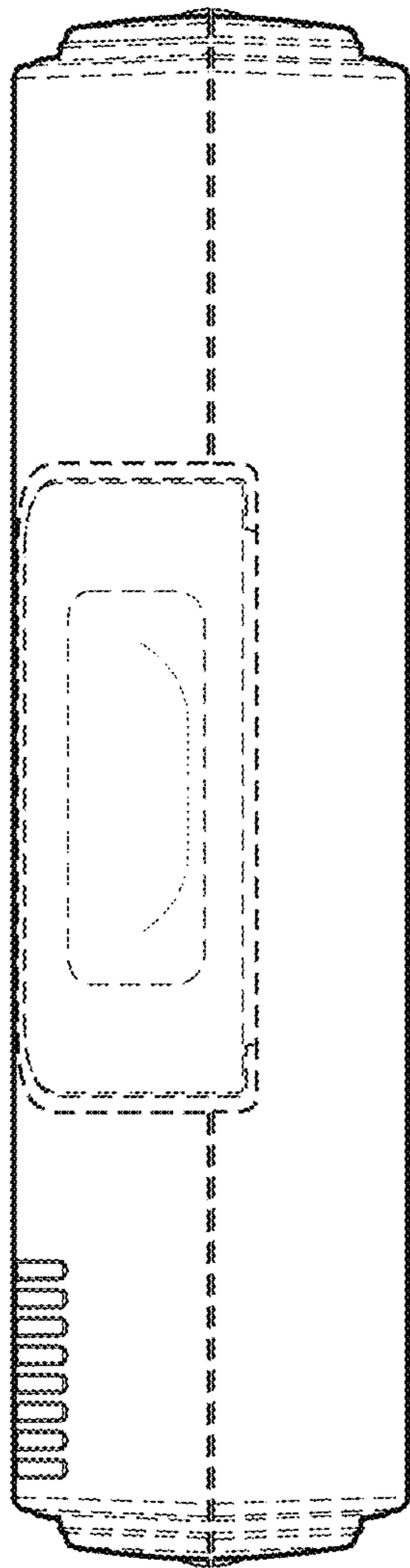


FIG. 4

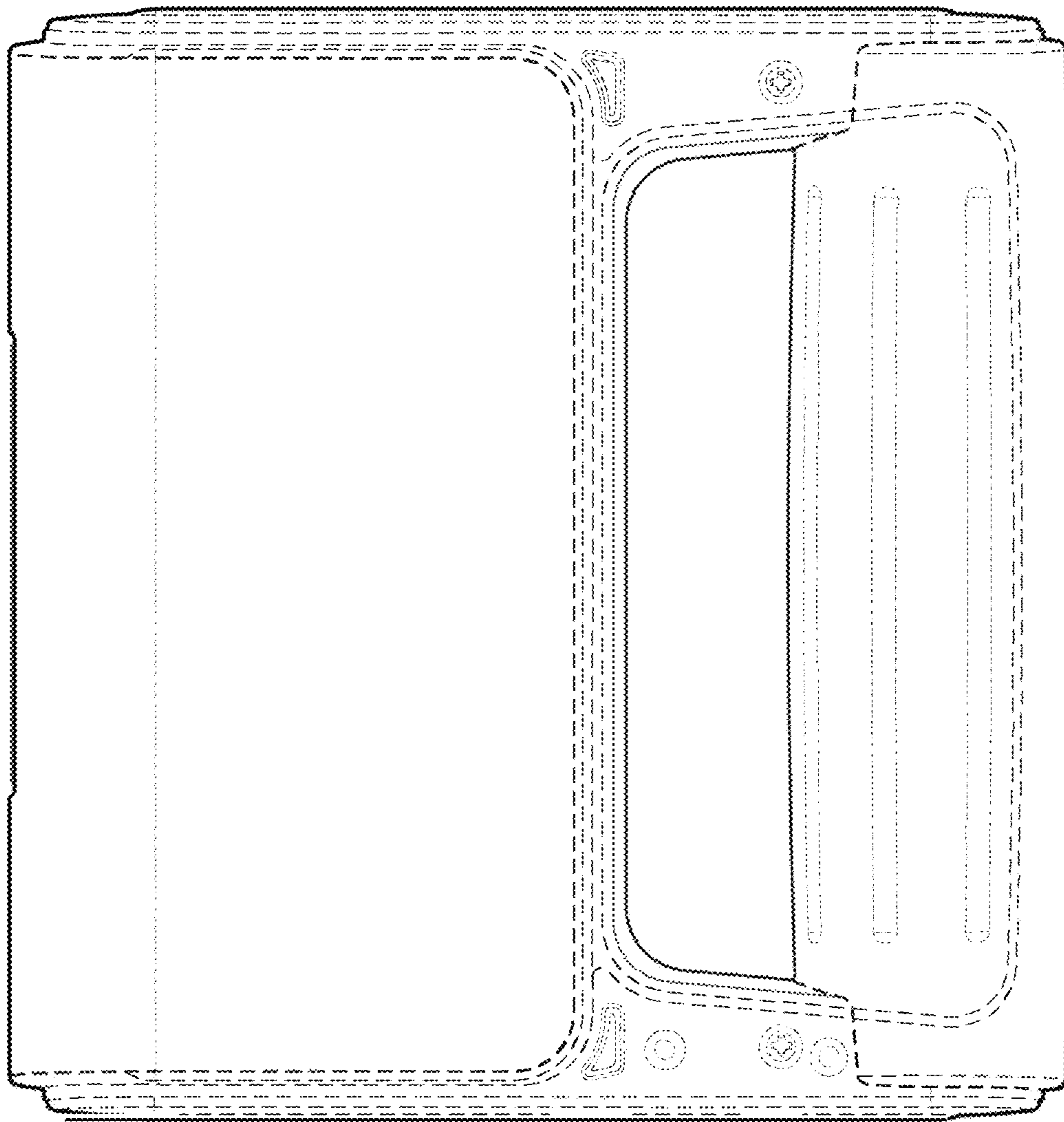


FIG. 5

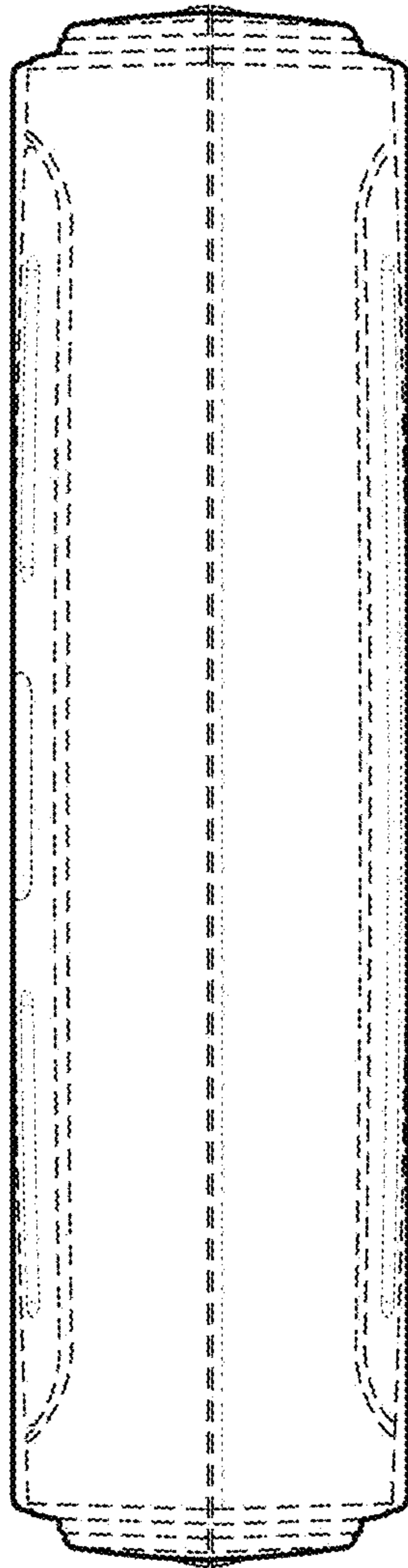


FIG. 6

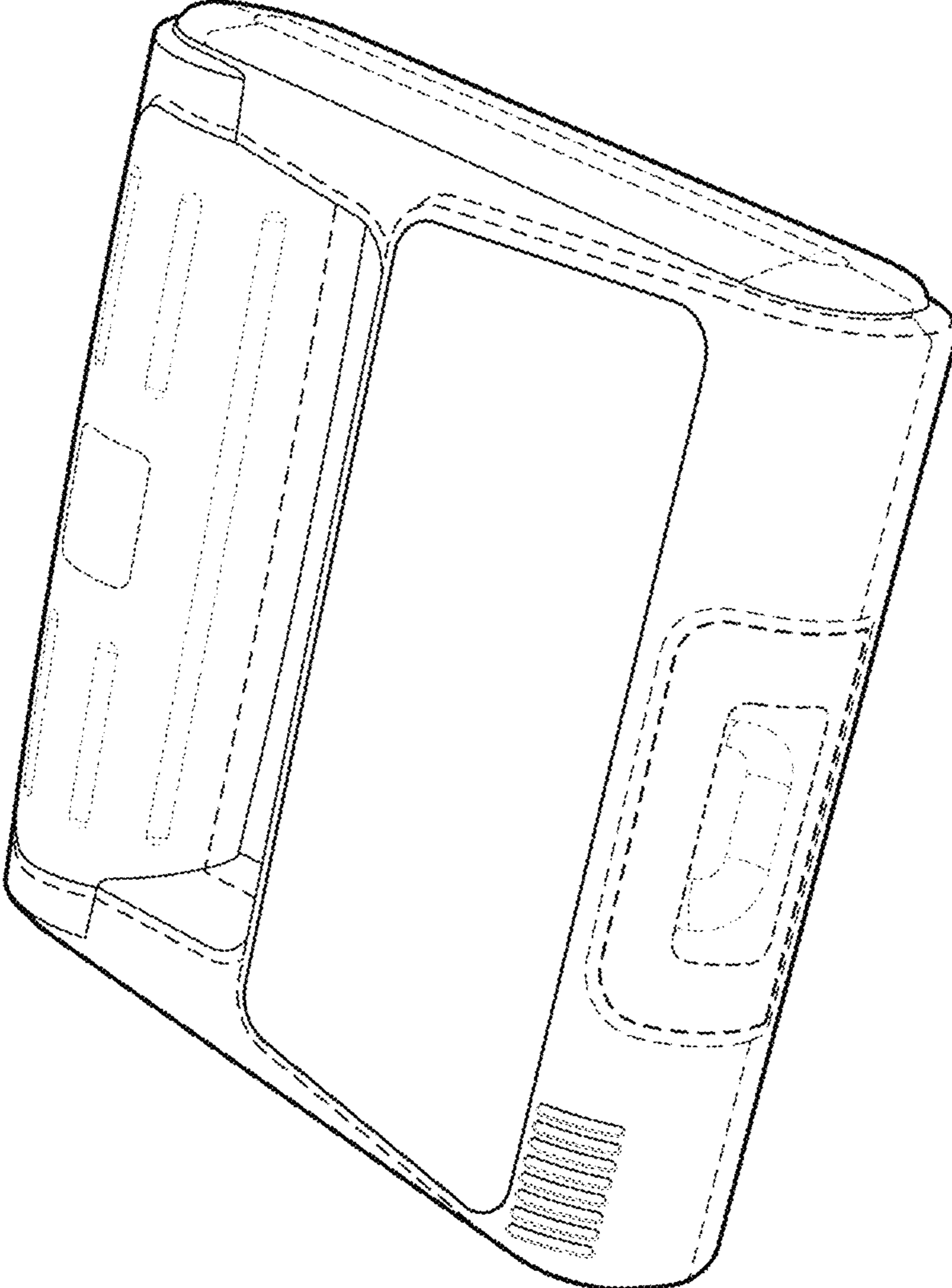


FIG. 7

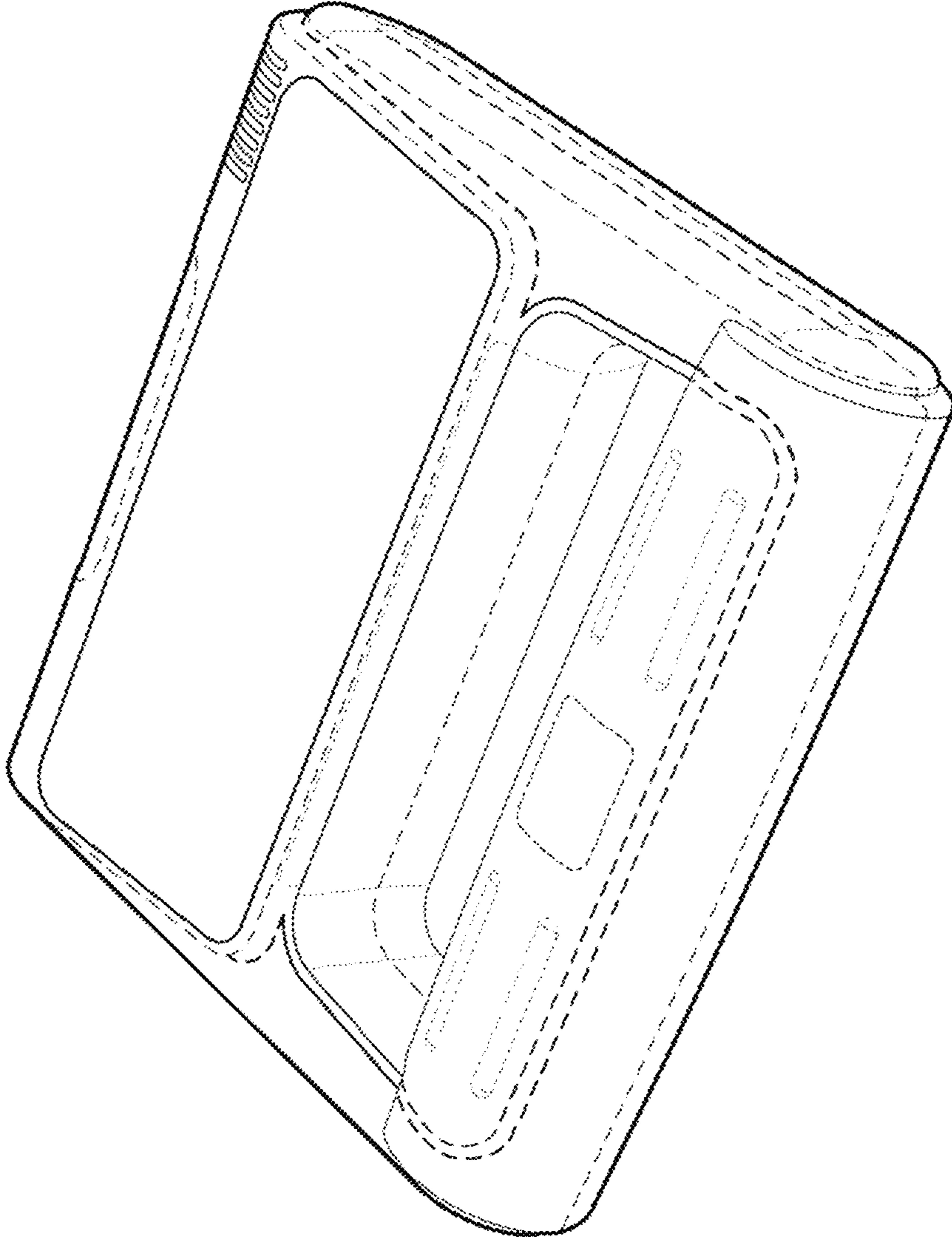


FIG. 8