

US00D873551S

(12) **United States Design Patent** (10) **Patent No.:** **US D873,551 S**
Ausura (45) **Date of Patent:** **** Jan. 28, 2020**

(54) **RETENTION ELEMENT FOR SKI BOOT LINER**

4,121,359 A 10/1978 Bertetto
4,258,482 A 3/1981 Salomon
4,317,296 A 3/1982 Hanson

(Continued)

(71) Applicant: **ProAdvent LLC**, Proctorsville, VT (US)

FOREIGN PATENT DOCUMENTS

(72) Inventor: **Adam V. Ausura**, Proctorsville, VT (US)

CN 204032526 12/2014
EP 2929794 A1 10/2015

(Continued)

(73) Assignee: **ProAdvent LLC**, Proctorsville, VT (US)

OTHER PUBLICATIONS

(**) Term: **15 Years**

U.S. Appl. No. 15/688,490, filed Aug. 28, 2017, Adam V. Ausura.

(21) Appl. No.: **29/690,349**

(Continued)

(22) Filed: **May 7, 2019**

Primary Examiner — Rashida C. Walshon

(74) *Attorney, Agent, or Firm* — Workman Nydegger

Related U.S. Application Data

(57) **CLAIM**

(63) Continuation of application No. 29/615,319, filed on Aug. 28, 2017, now Pat. No. Des. 848,137.

The ornamental design for a retention element for ski boot liner, as shown and described.

(51) **LOC (12) Cl.** **02-04**

DESCRIPTION

(52) **U.S. Cl.**

USPC **D2/976**; D2/978

(58) **Field of Classification Search**

USPC D2/896, 916–918, 946, 968, 969, 976, D2/977, 978

CPC A43B 3/105; A43B 3/122; A43B 3/12; A43B 9/00; A43B 23/28; A43B 5/0433; A43B 5/0409; A43B 5/1633; A43C 11/08

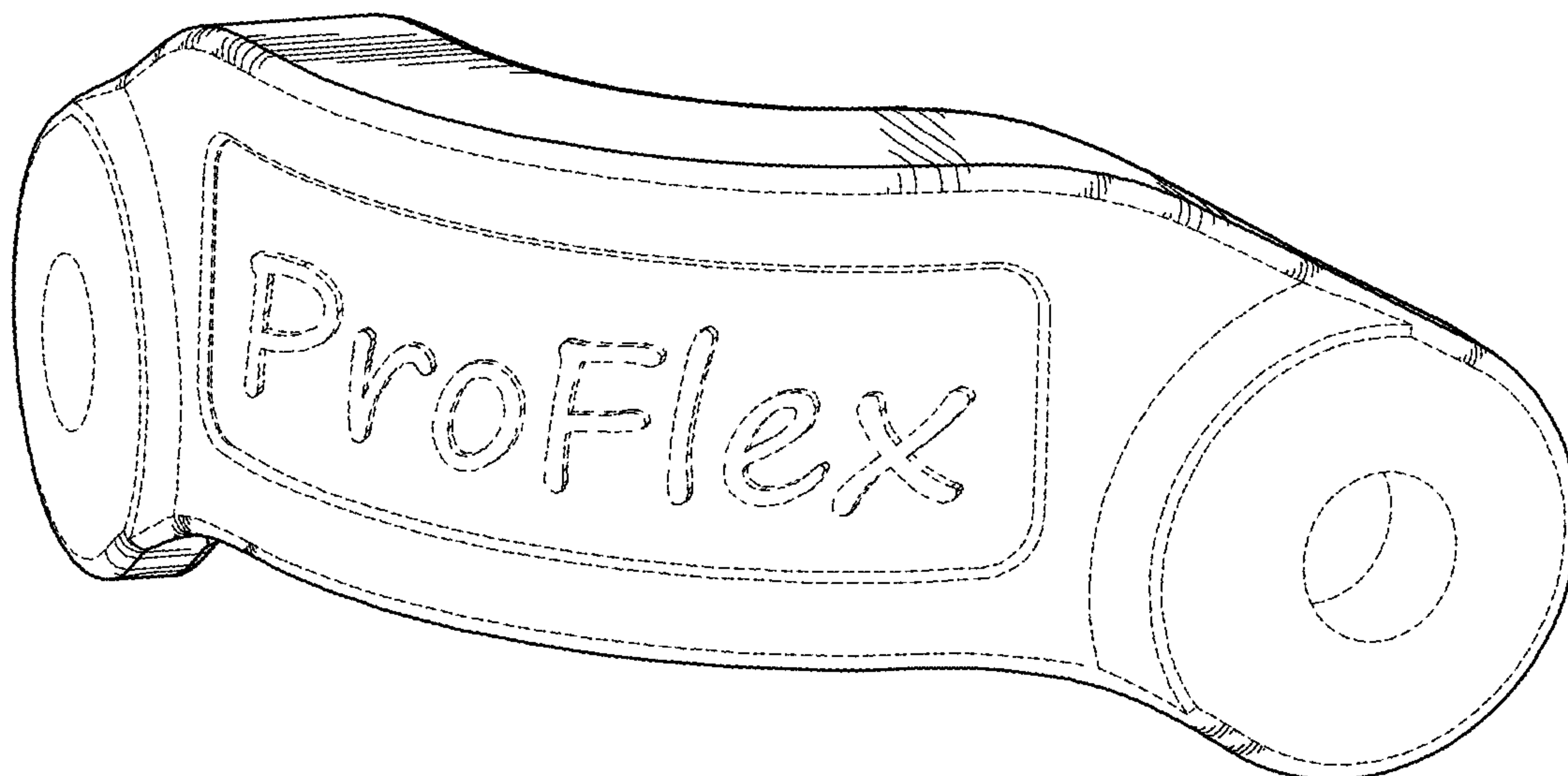
See application file for complete search history.

(56) **References Cited**

U.S. PATENT DOCUMENTS

3,224,118 A 12/1965 Tenfel
3,239,953 A 3/1966 Norton
3,475,835 A 11/1969 Kovar
3,722,112 A 3/1973 Morgan
3,848,347 A 11/1974 Hanson
D242,938 S * 1/1977 Famolare, Jr. D21/772
4,107,856 A 8/1978 Bourque

1 Claim, 4 Drawing Sheets



(56)

References Cited

U.S. PATENT DOCUMENTS

4,624,063 A 11/1986 Delery
 4,662,082 A 5/1987 Shabazz
 4,696,117 A 9/1987 Ottieri
 4,756,099 A 7/1988 Walkhoff
 4,776,111 A 10/1988 Crowley
 4,914,839 A 4/1990 Paris
 5,007,186 A 4/1991 Bischof
 5,152,084 A 10/1992 Bonnaventure
 D336,558 S 6/1993 Escoffier
 D342,593 S 12/1993 Balbinot
 D346,063 S 4/1994 Clark
 D347,558 S 6/1994 Alonzo
 5,357,695 A 10/1994 Lu
 D357,795 S * 5/1995 Crowley D2/972
 D365,437 S 12/1995 Schaper
 5,491,911 A 2/1996 Chen
 5,553,402 A 9/1996 Marega
 5,590,481 A 1/1997 Vaccari
 D377,958 S 2/1997 Chen
 D380,287 S * 7/1997 Chen D2/901
 5,651,197 A 7/1997 James
 D390,296 S * 2/1998 Lee D2/901
 5,718,067 A 2/1998 Ostinet
 D401,934 S * 12/1998 Wicks D14/191
 D404,895 S * 2/1999 Rosato D2/946
 5,921,006 A 7/1999 Vargas
 D413,197 S 8/1999 Faye
 6,026,594 A 2/2000 Fougere
 D453,413 S * 2/2002 Tsujino D2/978
 6,467,193 B1 10/2002 Okajima
 6,557,865 B1 * 5/2003 Reuss A43B 5/0401
 280/14.21
 6,655,052 B2 * 12/2003 Bruce A43B 5/0415
 206/701
 6,820,354 B1 11/2004 Zanatta
 7,503,131 B2 3/2009 Nadel
 D603,155 S 11/2009 Della Valle
 D615,285 S * 5/2010 Martin D2/946
 D634,523 S 3/2011 Hirschfeld
 7,946,061 B2 * 5/2011 Holzer A43B 5/0433
 36/117.1
 D661,471 S 6/2012 Parisotto
 8,359,771 B2 1/2013 Holzer
 8,418,381 B2 4/2013 Reagan
 9,408,435 B2 * 8/2016 Labonte A43B 5/1691
 9,538,805 B2 1/2017 Tronchin
 9,549,592 B2 * 1/2017 Quagliotto A43B 5/0401

9,668,907 B2 * 6/2017 Romo A61F 5/34
 9,839,549 B2 * 12/2017 Walborn A61F 5/0102
 10,327,500 B2 * 6/2019 Ausura A43B 5/0429
 2007/0266595 A1 * 11/2007 Bird A43B 5/14
 36/50.1
 2007/0271824 A1 11/2007 Holzer et al.
 2012/0117820 A1 5/2012 Atamian
 2014/0338223 A1 11/2014 Adams
 2015/0313318 A1 11/2015 Gibb
 2016/0262487 A1 9/2016 Marechal

FOREIGN PATENT DOCUMENTS

FR 2876883 B1 3/2007
 WO WO 2016/164102 A1 10/2016

OTHER PUBLICATIONS

U.S. Appl. No. 29/615,319, filed Aug. 28, 2017, Adam V. Ausura.
<http://www.nordicausa.com/products/gpx-130/>, All Mountain / High Performance GPX 130, Nordica is a Division of Tecnica Group S.p.a. Piva 00195810262, Capitale Sociale Eur. 25.000.000,00—l.v. Rea di Treviso N. 78175 Società Unipersonale.
<http://www.nordicausa.com/products/speedmachine-130/>, All Mountain / High Performance Speedmachine 130, Nordica is a Division of Tecnica Group S.p.a. Piva 00195810262, Capitale Sociale Eur. 25.000.000,00—l.v. Rea di Treviso N. 78175 Società Unipersonale.
 Salomon X3 130 CS Ski Boots 2012, EVO, evo.com, sku# 51334, accessed: Apr. 2017.
 Nordica Hell and Back H3 Ski Boot—Women’s—Sale 2013/2014, Christy Sports, christysports.com, SKU: #0930367, accessed: Apr. 2017.
 Salomon X-Pro 90 W Women’s Boots 2016/2017, Golf & Ski Warehouse, golfskiwarehouse.com, accessed Apr. 2017.
 Lange World Cup 130 (HP Fit) Ski Boots 2007, U.S. Outdoor, usoutdoor.com, accessed: Apr. 2017.
 European Search Report for European Patent Application 18191017.5 dated Jan. 17, 2019.
 U.S. Appl. No. 15/688,490, dated Nov. 1, 2018, Restriction Requirement.
 U.S. Appl. No. 29/615,319, dated Jan. 17, 2019, Notice of Allowance.
 U.S. Appl. No. 15/688,490, dated Jan. 29, 2019, Office Action.
 U.S. Appl. No. 15/688,490, dated Mar. 19, 2019, Notice of Allowance.
 Chinese Office Action for CN 201810932697.4 dated Sep. 17, 2019.

* cited by examiner

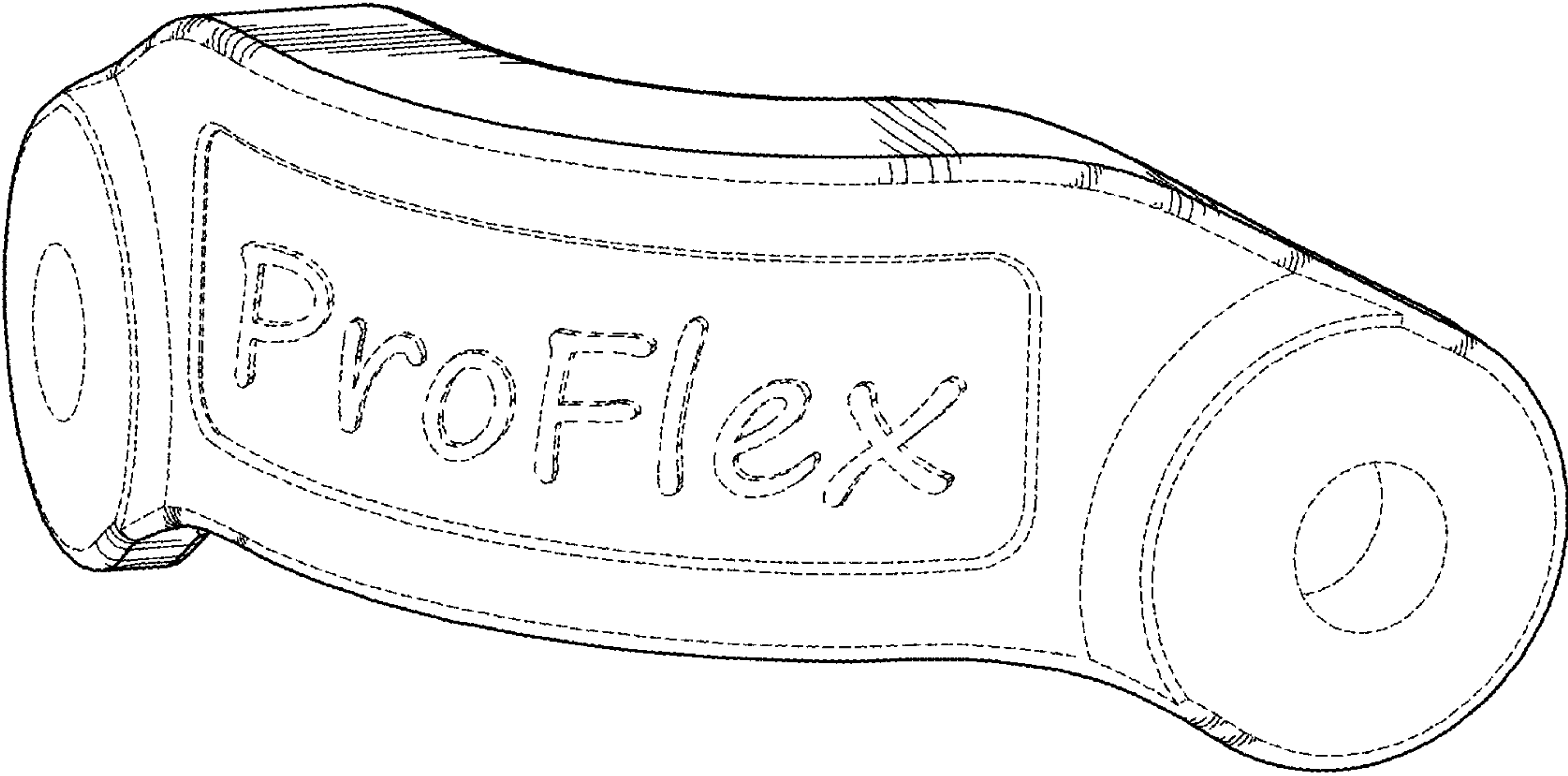


FIG. 1

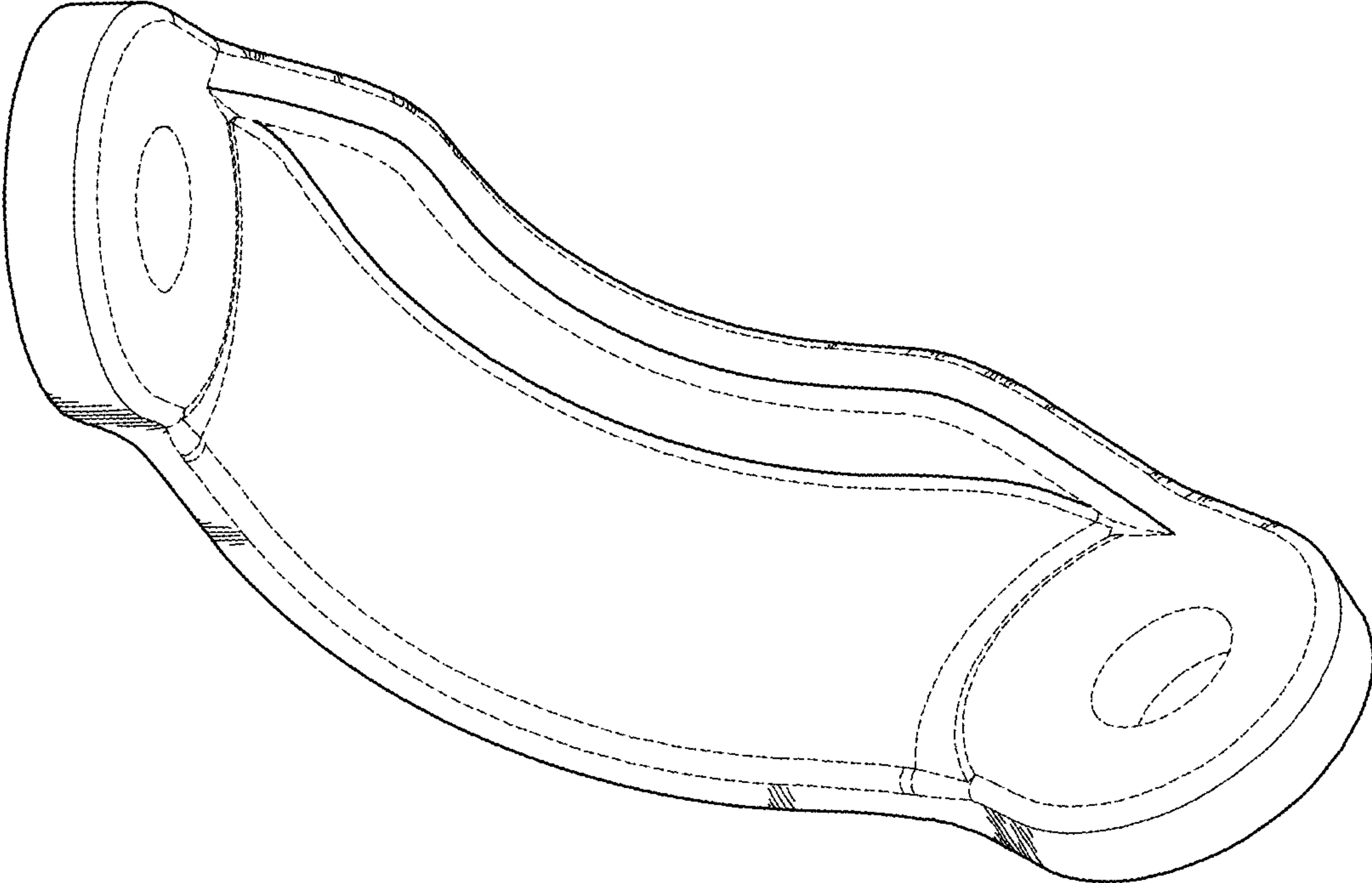


FIG. 2

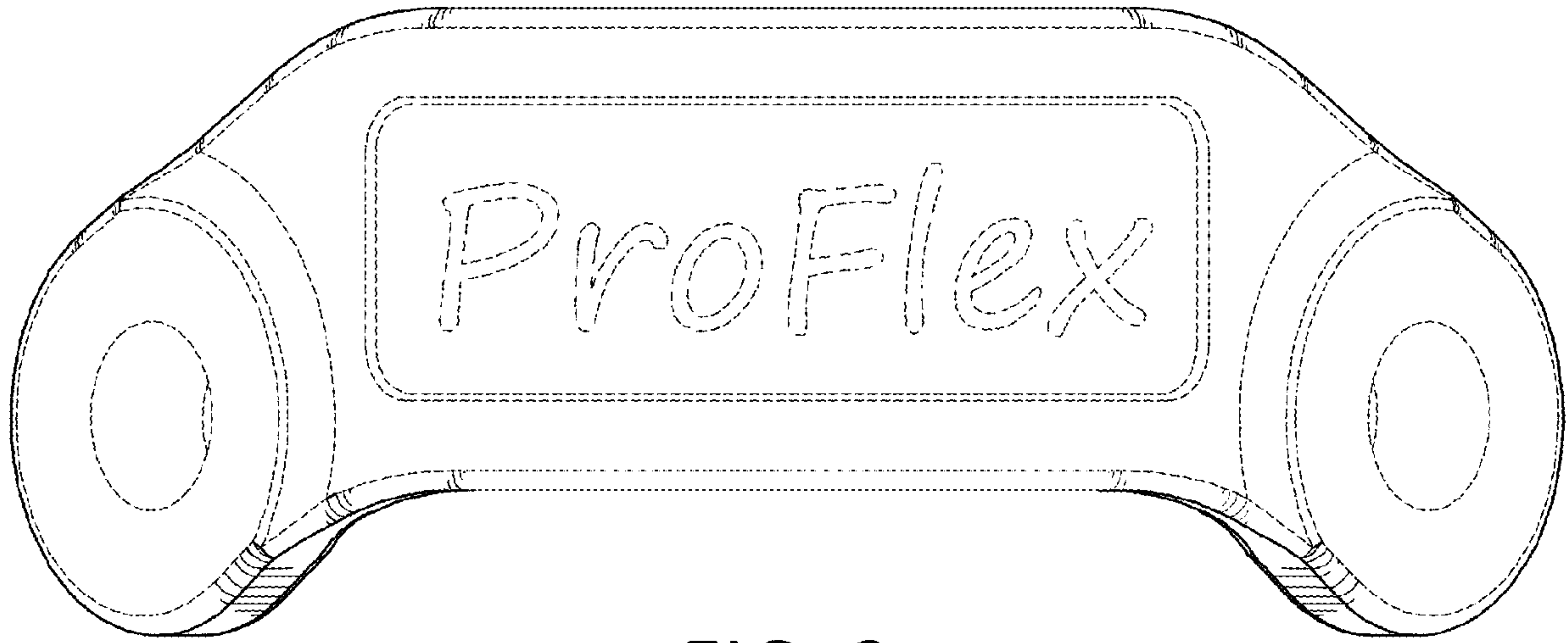


FIG. 3

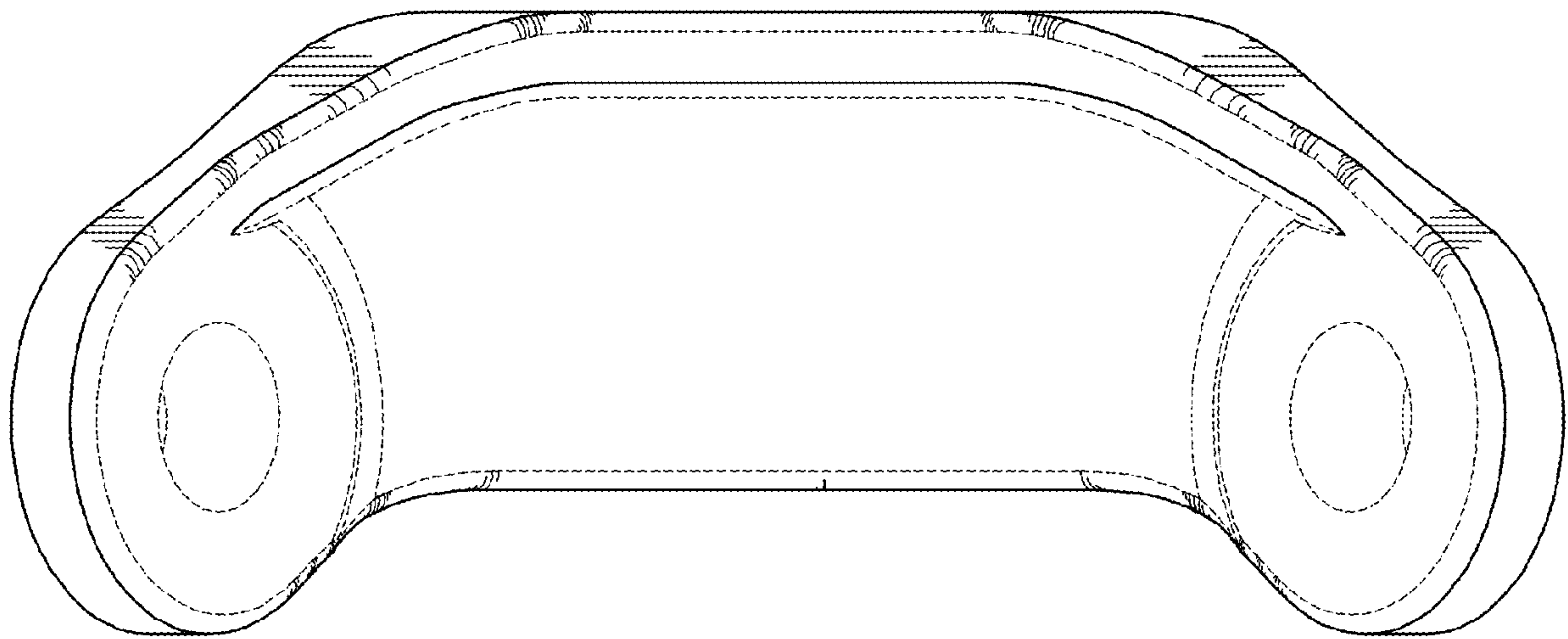


FIG. 4

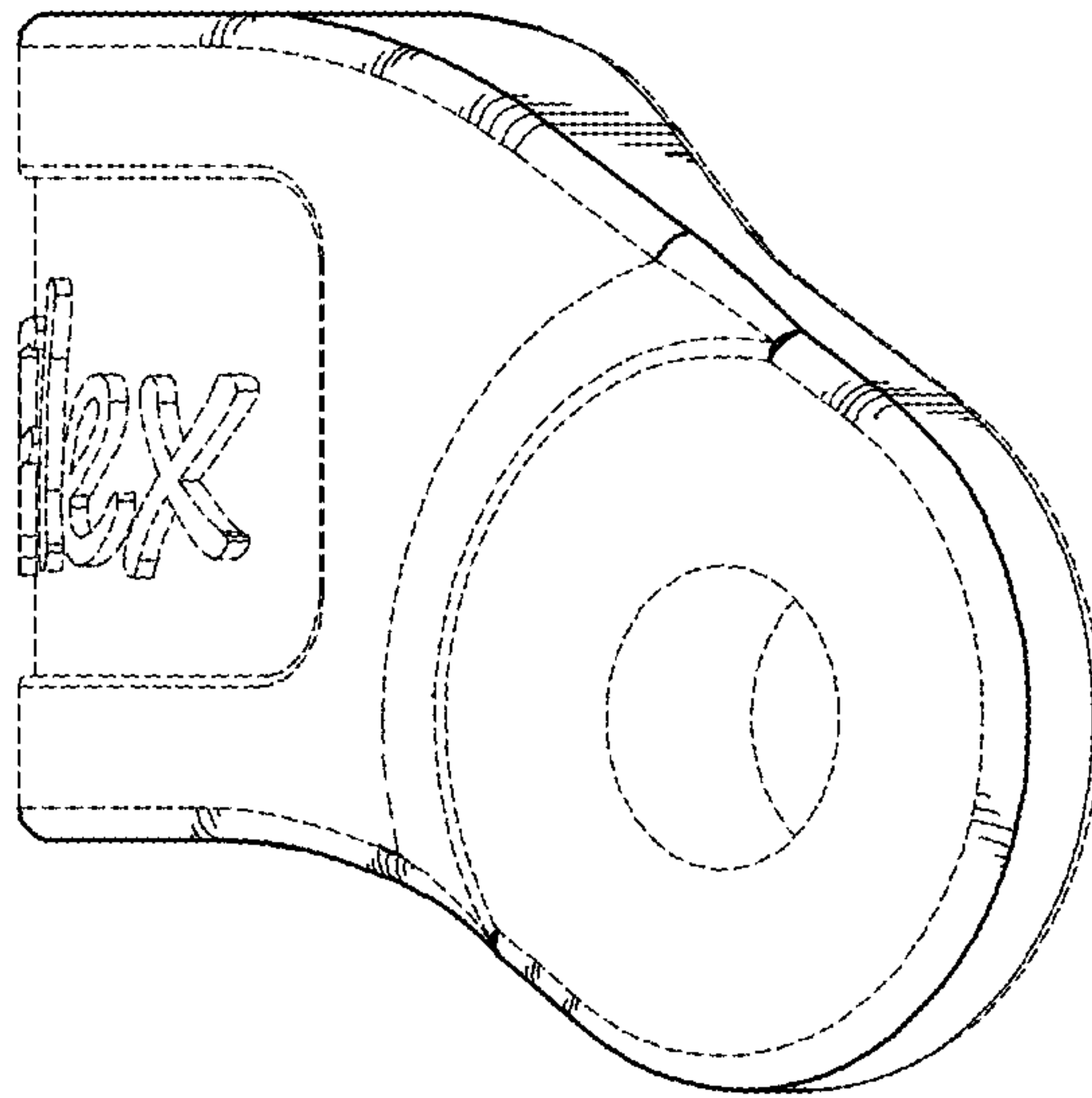


FIG. 5

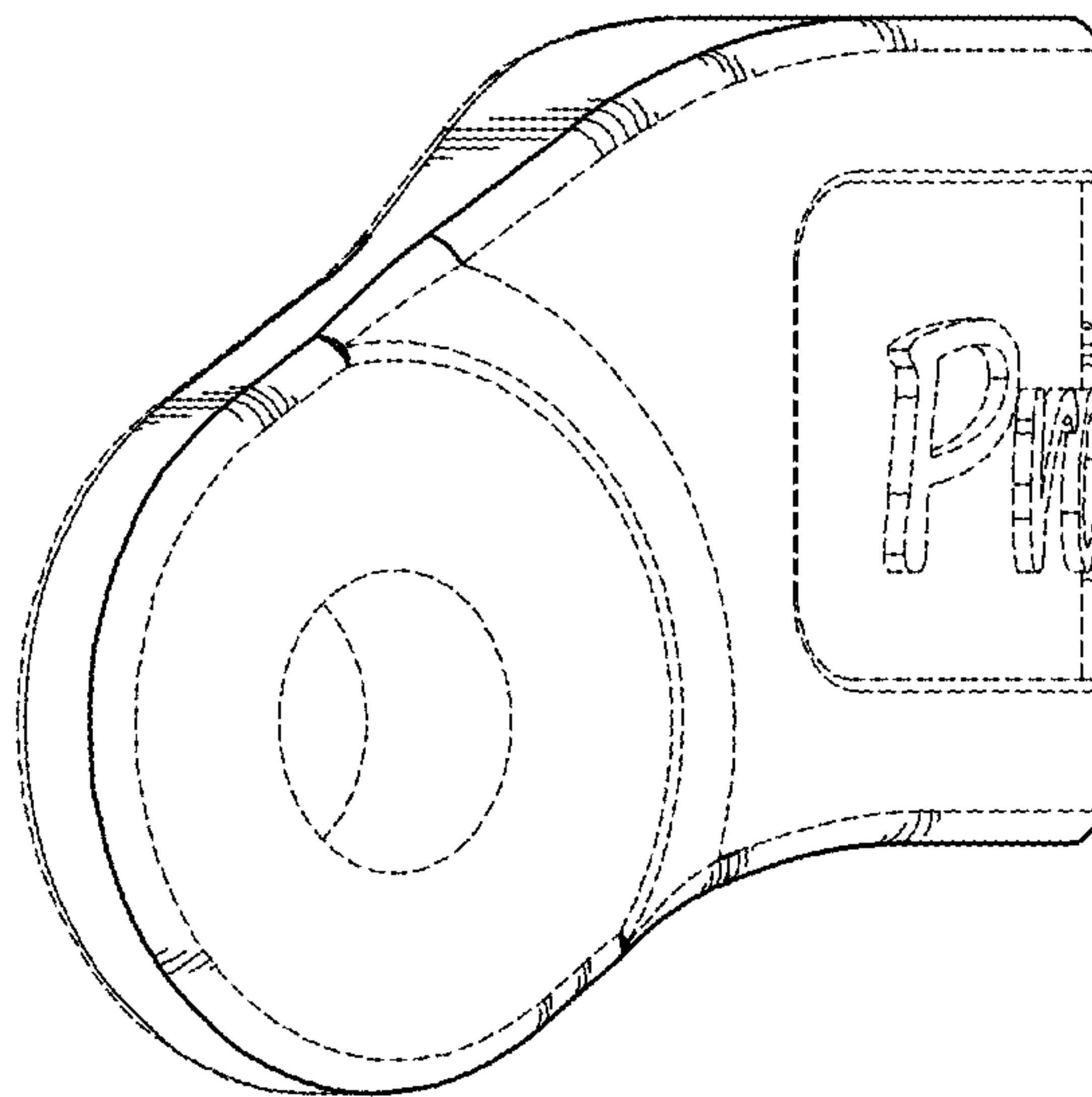


FIG. 6

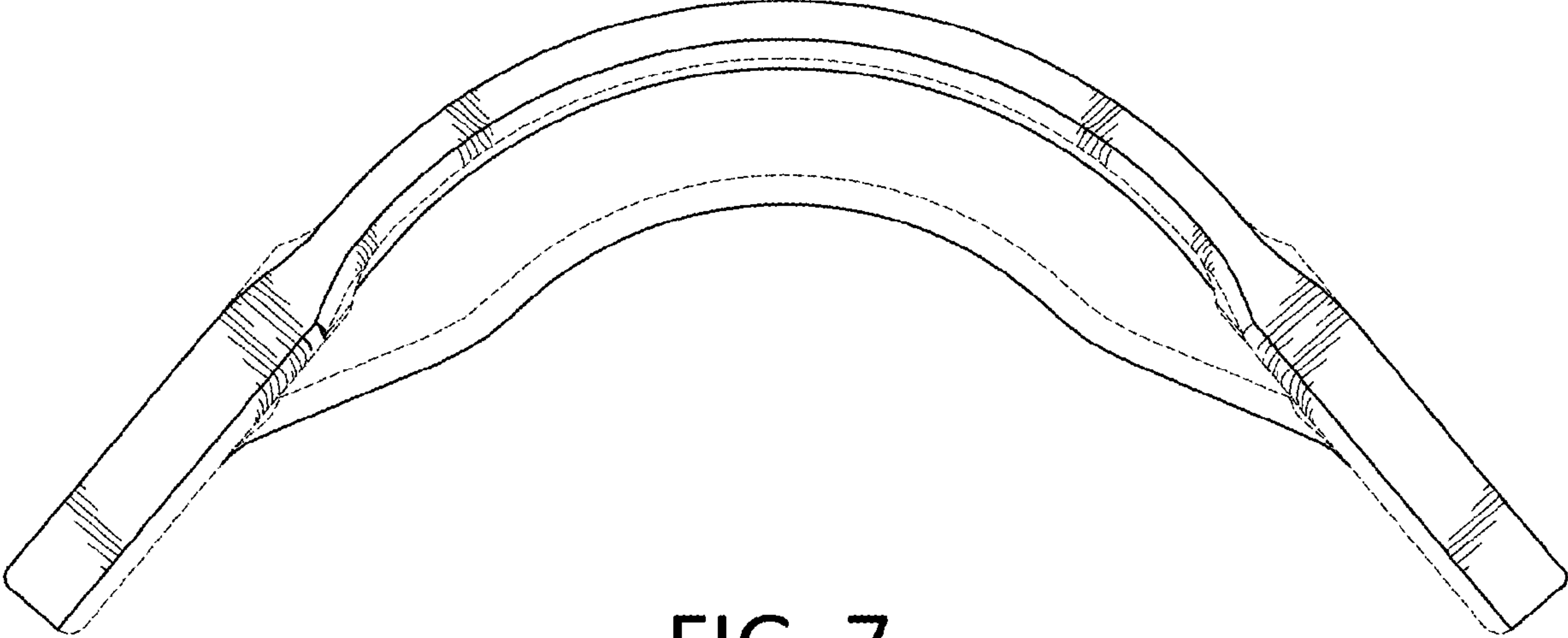


FIG. 7

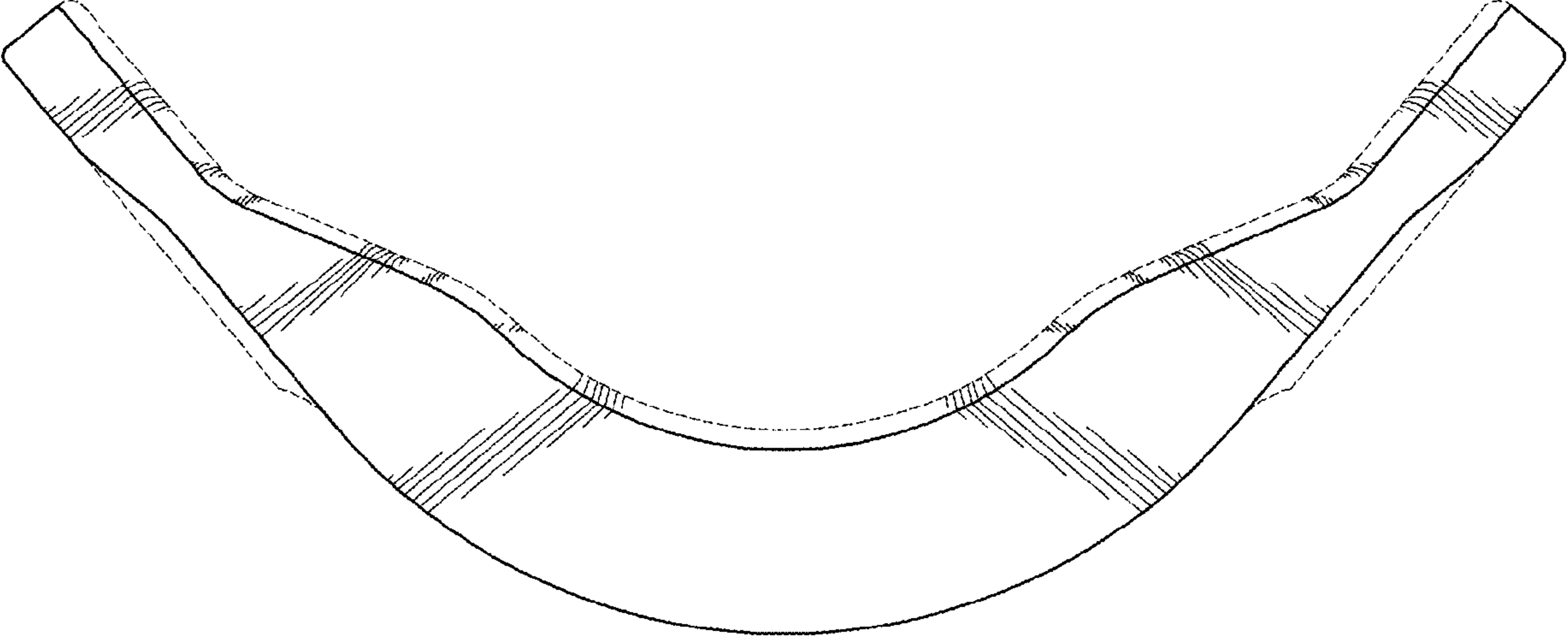


FIG. 8