



US00D873544S

(12) **United States Design Patent**
Fongher et al.

(10) **Patent No.:** **US D873,544 S**

(45) **Date of Patent:** **** Jan. 28, 2020**

(54) **FOOTWEAR**

(71) Applicant: **Crocs, Inc.**, Niwot, CO (US)

(72) Inventors: **Federico Fongher**, Villatora di Saonara (IT); **Stefano Del Biondi**, Noventa Padovana (IT)

(73) Assignee: **CROCS, INC.**, Niwot, CO (US)

(**) Term: **15 Years**

(21) Appl. No.: **29/621,537**

(22) Filed: **Oct. 9, 2017**

(51) **LOC (12) Cl.** **02-04**

(52) **U.S. Cl.**
USPC **D2/923**

(58) **Field of Classification Search**
USPC D2/896, 902, 906-908, 923, 925-942,
D2/946, 947, 969, 971-974; D5/47, 49,
D5/50, 53, 54, 56, 60
CPC ... A43B 13/181; A43B 13/141; A43B 13/186;
A43B 13/188; A43B 23/00; A43B 23/02;
A43B 5/00; A43B 23/26; A43B 1/04;
A43B 11/14; A43B 7/00; A43B 3/12;
A43C 3/00; A43C 5/00; A43C 7/00;
A43C 11/004

See application file for complete search history.

(56) **References Cited**

U.S. PATENT DOCUMENTS

- D517,790 S * 3/2006 Seamans D2/969
- D529,263 S * 10/2006 Wolf A43B 13/38
D2/923
- D567,483 S * 4/2008 Liow D2/896
- D578,743 S * 10/2008 Liow D2/896
- D610,784 S 3/2010 Del Biondi
- D624,733 S * 10/2010 O'Boyle D2/896
- D637,382 S * 5/2011 Bathum D2/923

- D667,612 S * 9/2012 Del Biondi D2/896
- D762,953 S * 8/2016 Del Biondi D2/923
- D801,011 S * 10/2017 Del Biondi D2/923
- D804,155 S * 12/2017 Tzenos D2/923
- D825,899 S * 8/2018 Engerman D2/923
- D843,089 S * 3/2019 Chanthavong D2/916
- 2013/0145651 A1* 6/2013 Bathum A43B 13/38
36/43

OTHER PUBLICATIONS

Office Action dated Sep. 21, 2018 and mailed Oct. 2, 2018 received in related Japanese Patent Application No. 2018-007673 (5 pages). Sandalia Crocs Crocband Marine and White, downloaded from <https://www.zattini.com.br/sandalia-crocs-crocband-marinho+branco-028-9720-012> on Feb. 5, 2019 (3 pages). Crocband, "I couldn't resist! Now I have a Croc," downloaded from https://suamiga.files.wordpress.com/2010/10/crocband_navy.jpg on Feb. 5, 2019 (1 page).

(Continued)

Primary Examiner — Dominic V Simone
(74) *Attorney, Agent, or Firm* — Wilmer Cutler Pickering Hale and Dorr LLP

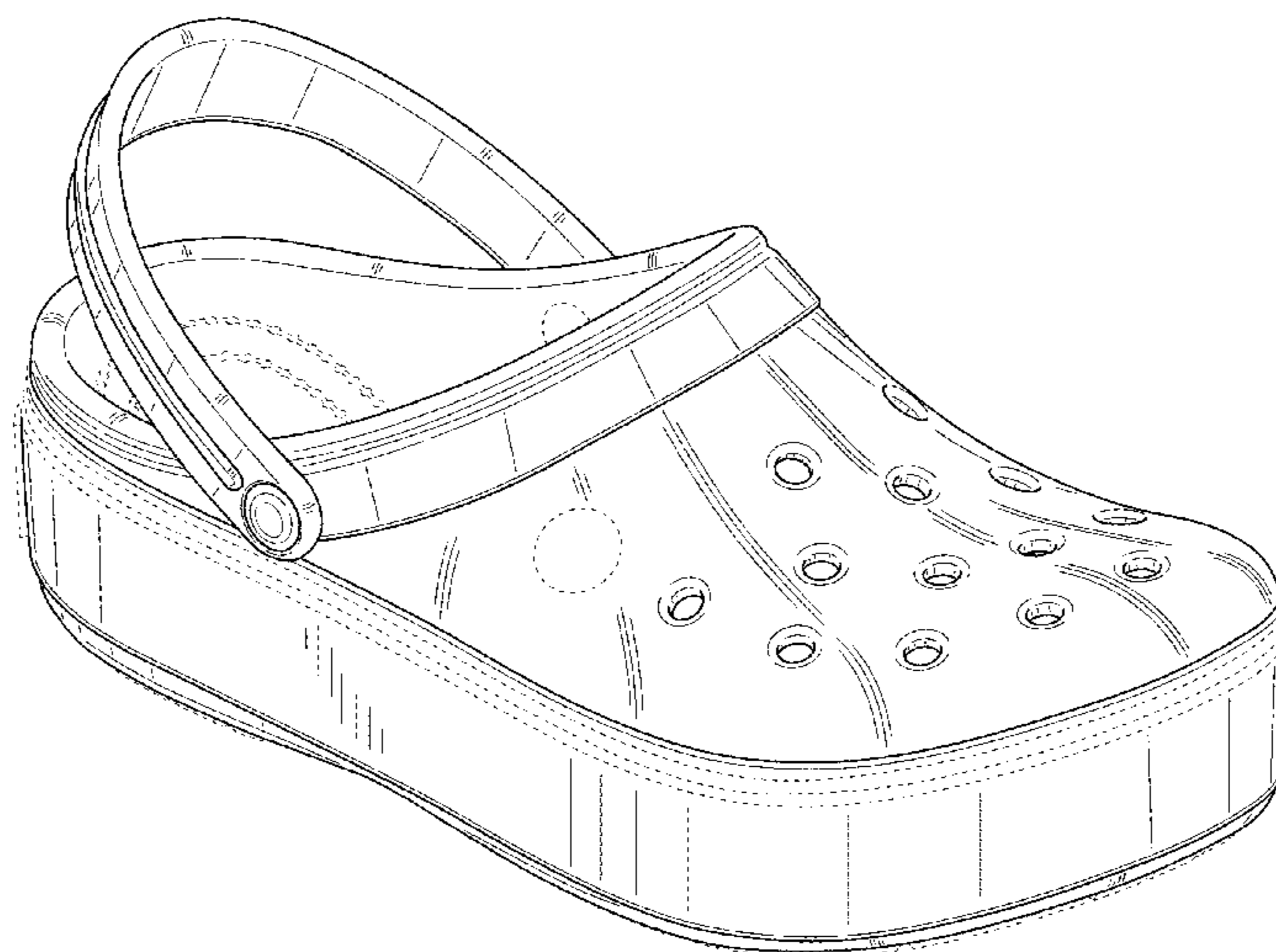
(57) **CLAIM**

The ornamental design for footwear, as shown and described.

DESCRIPTION

FIG. 1 is a front perspective view of footwear;
FIG. 2 is a front view thereof;
FIG. 3 is a back view thereof;
FIG. 4 is an outer side view thereof;
FIG. 5 is an inner side view thereof;
FIG. 6 is a top view thereof; and,
FIG. 7 is a bottom view thereof.
The elements shown in FIGS. 1-7 in broken lines represent portions that form no part of the claimed design.

1 Claim, 7 Drawing Sheets



(56)

References Cited

OTHER PUBLICATIONS

Crocband infantile Crocs Sandalia Crocband Black and White, downloaded from <https://www.netshoes.com.br/sandalia-crocs-infantil-crocband-preto+branco-117-0998-006> on Feb. 5, 2019 (25 pages).

Ex-officio administrative nullity action dated Feb. 5, 2019 received in related Brazilian Patent No. BR302018001405-7 (2 pages).

Response as filed in Ex-officio administrative nullity action in related Brazilian Patent No. BR302018001405-7 on Apr. 26, 2019 (9 pages).

* cited by examiner

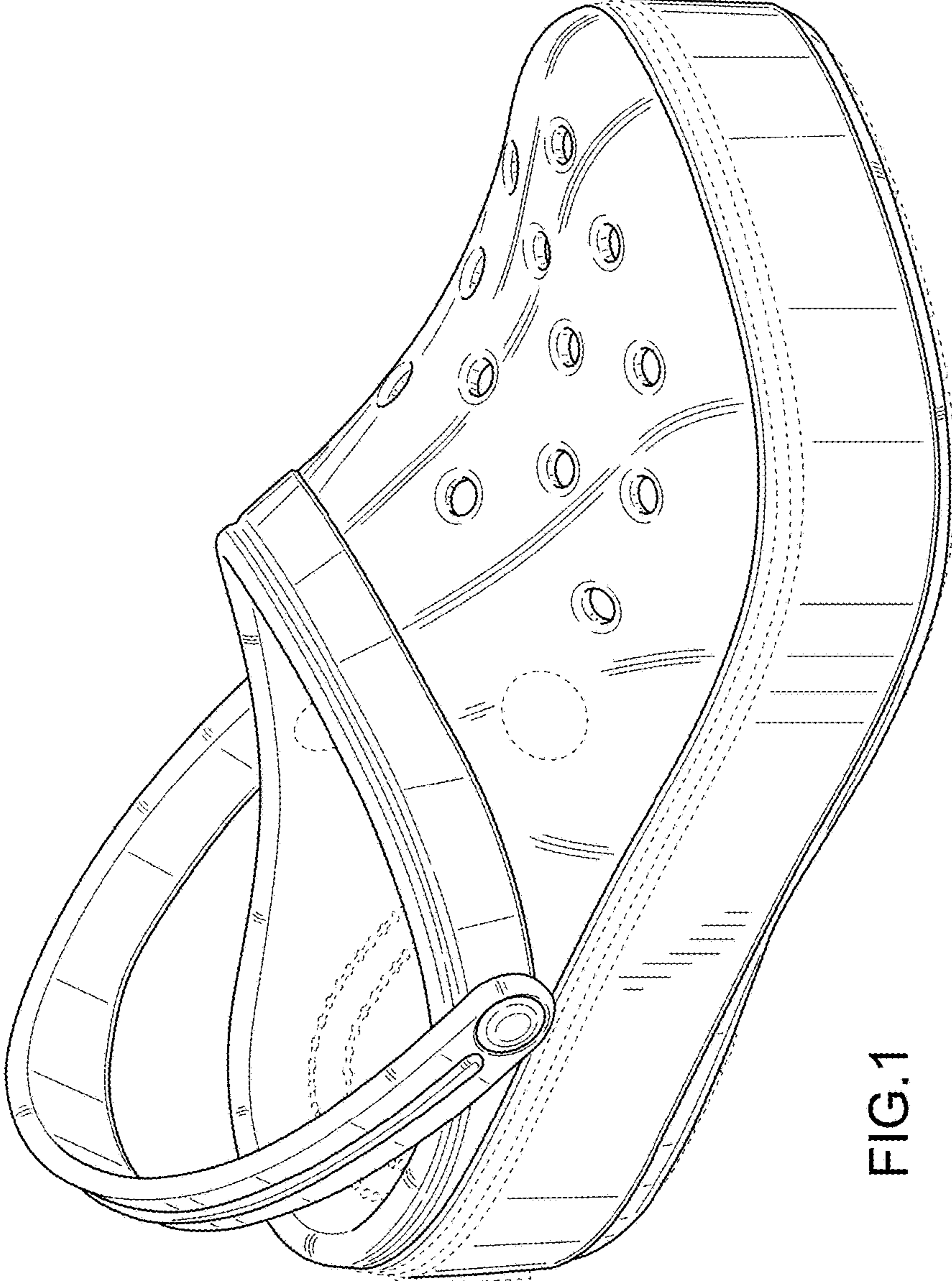


FIG.1

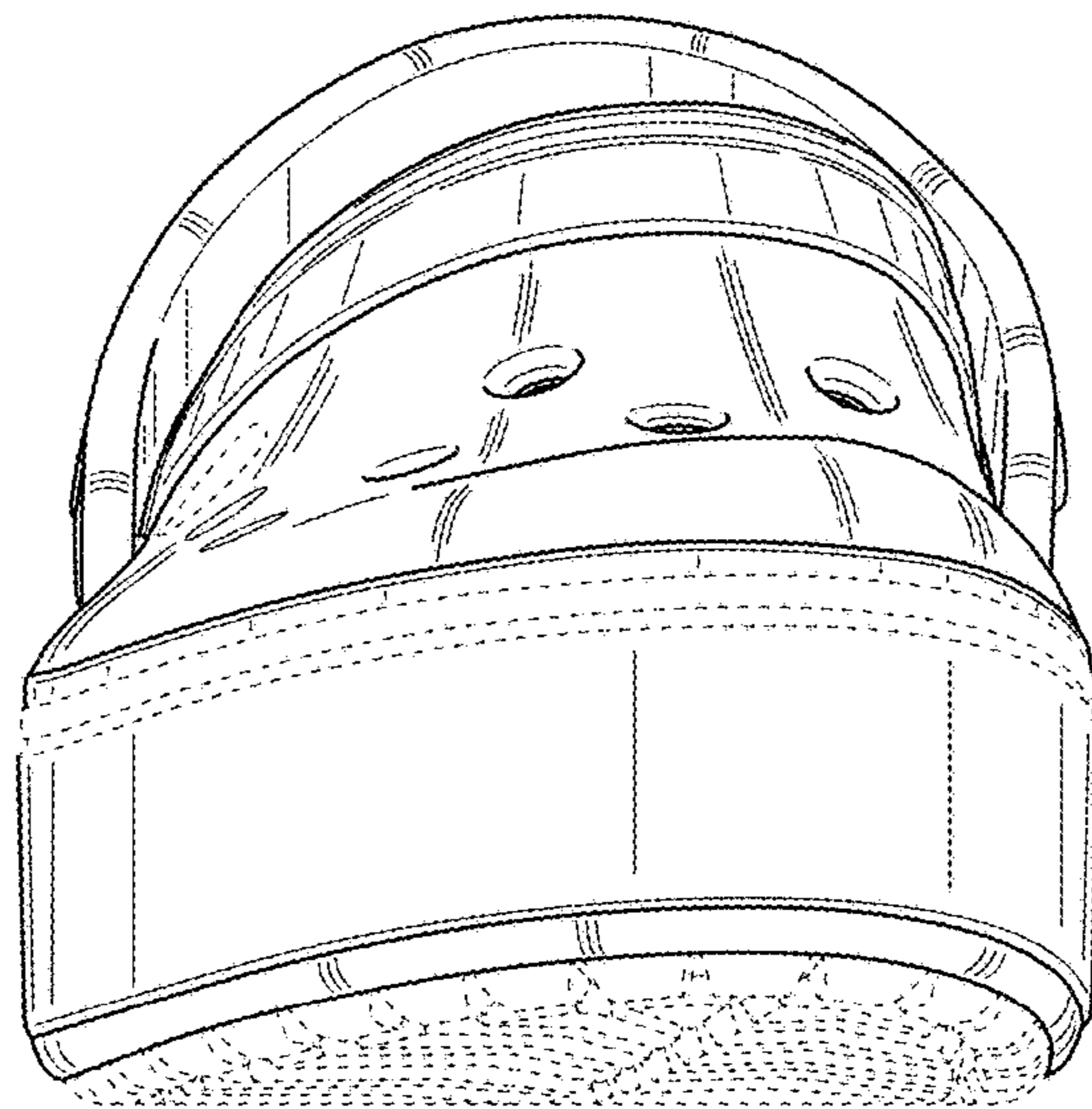


FIG.2

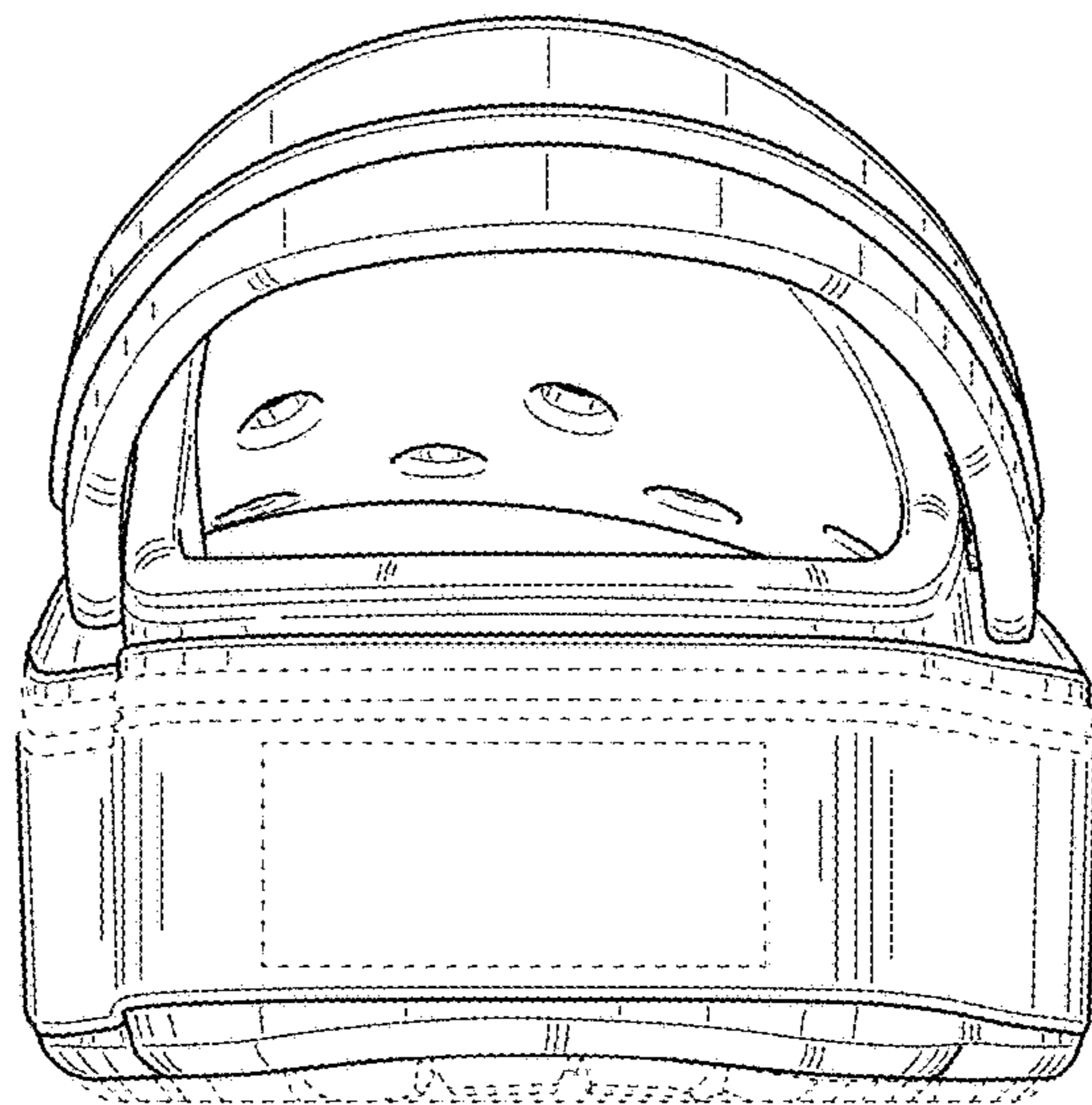


FIG.3

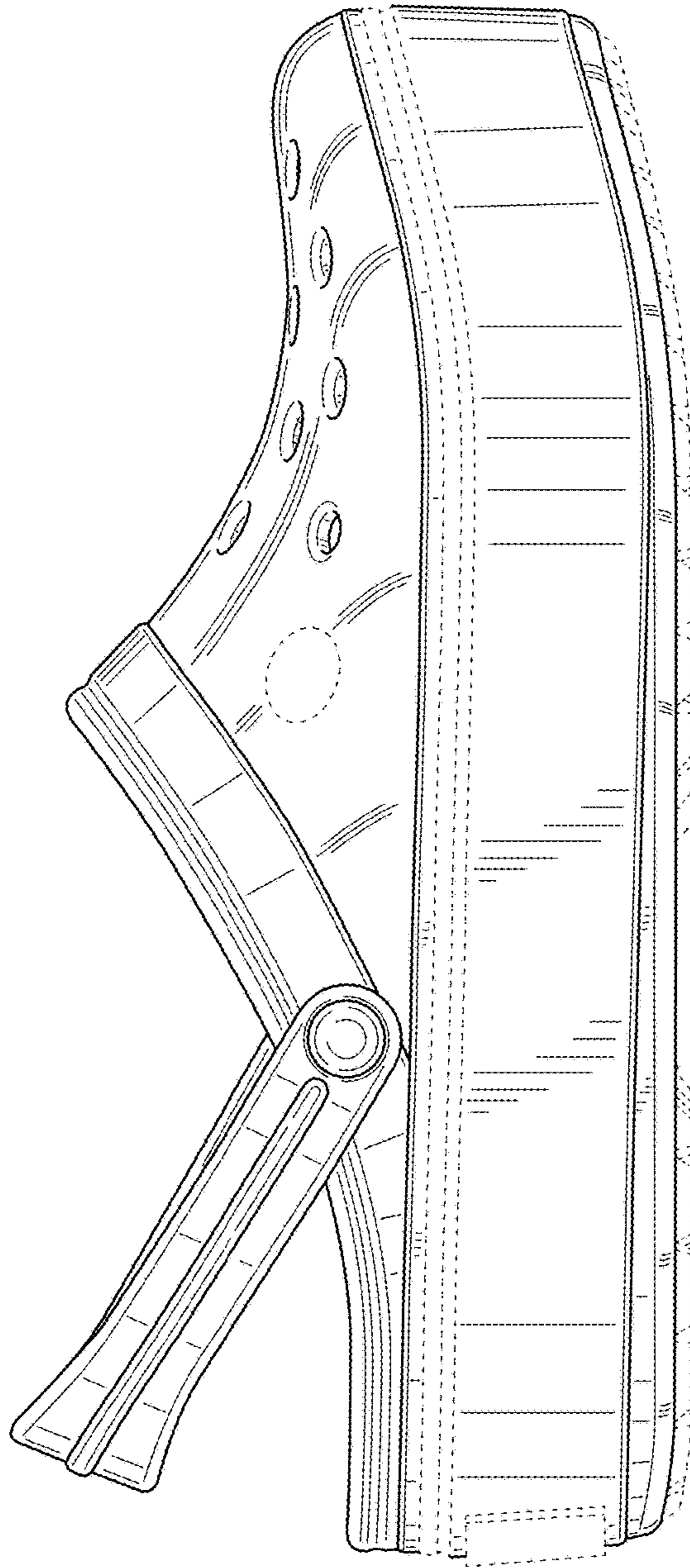


FIG.4

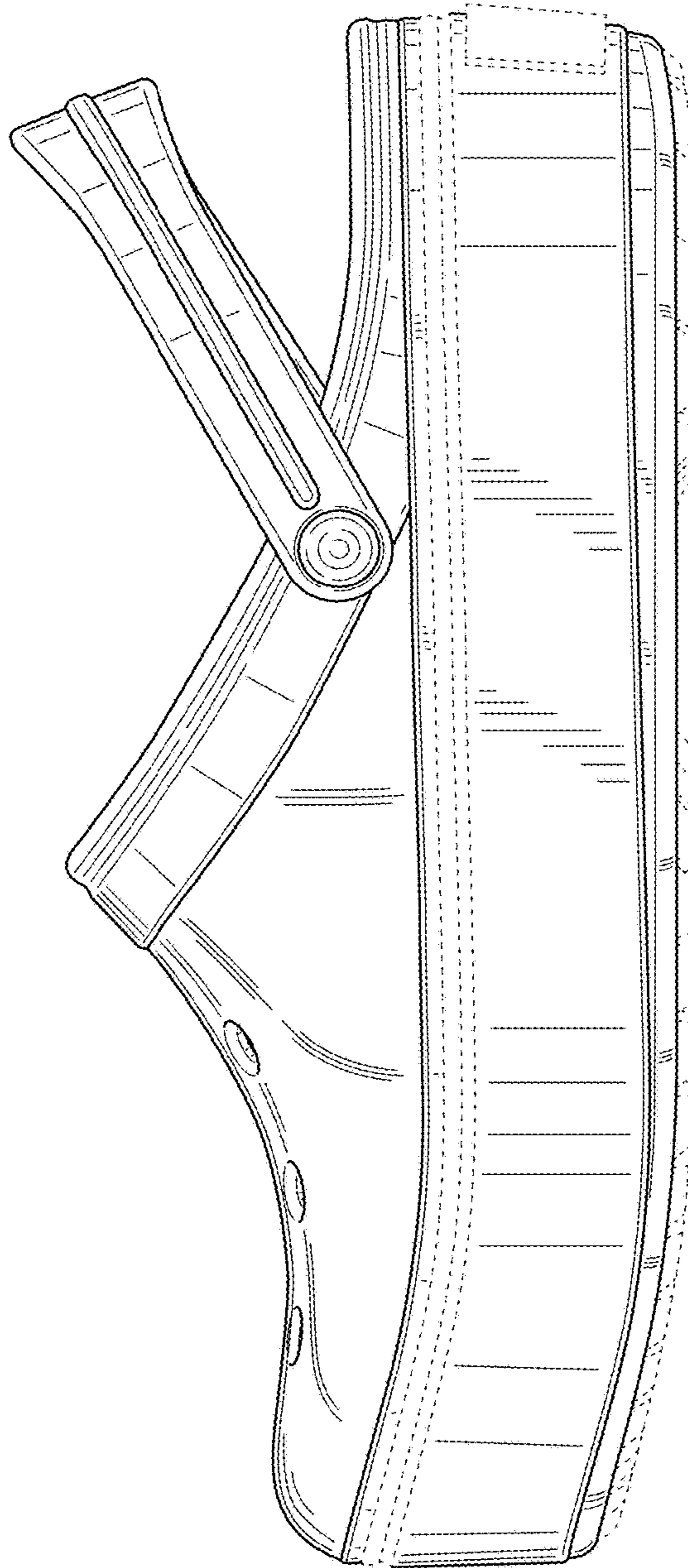


FIG.5

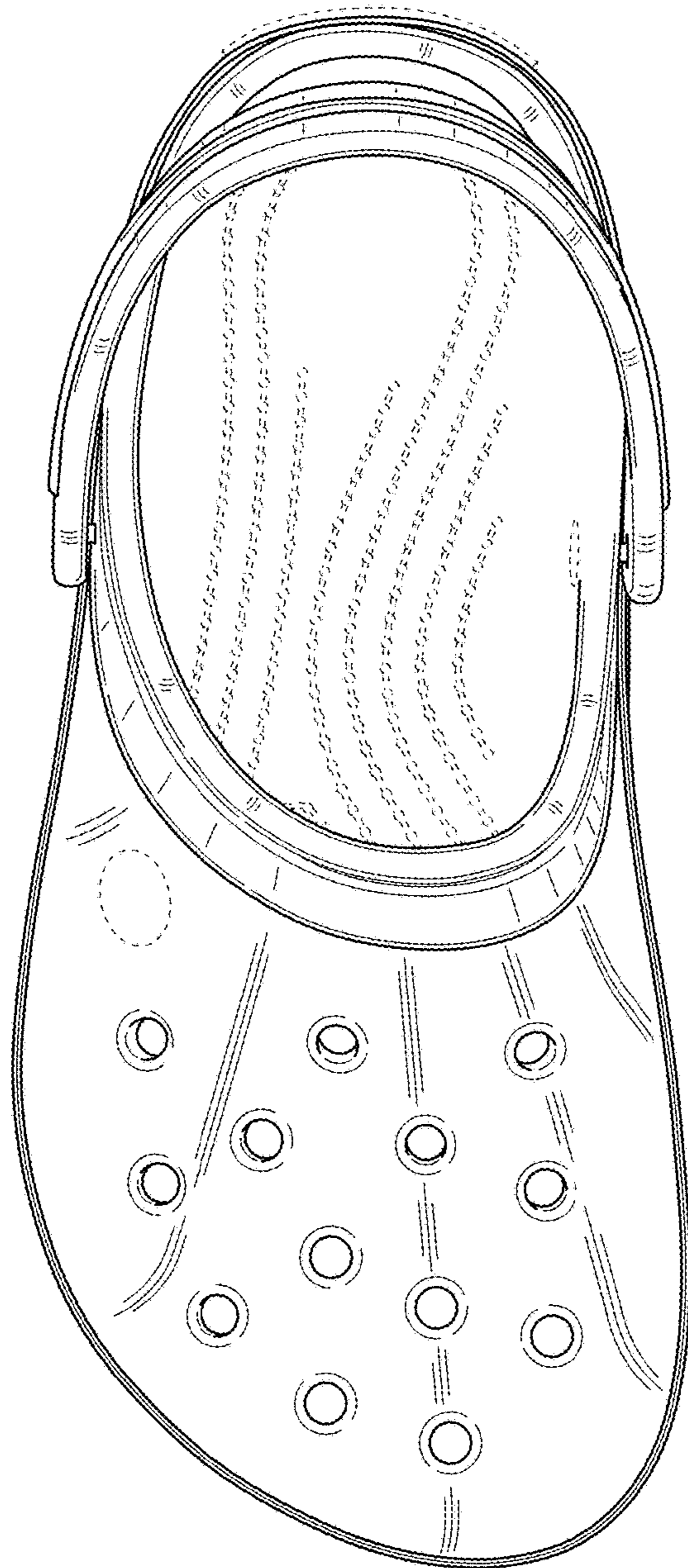


FIG.6

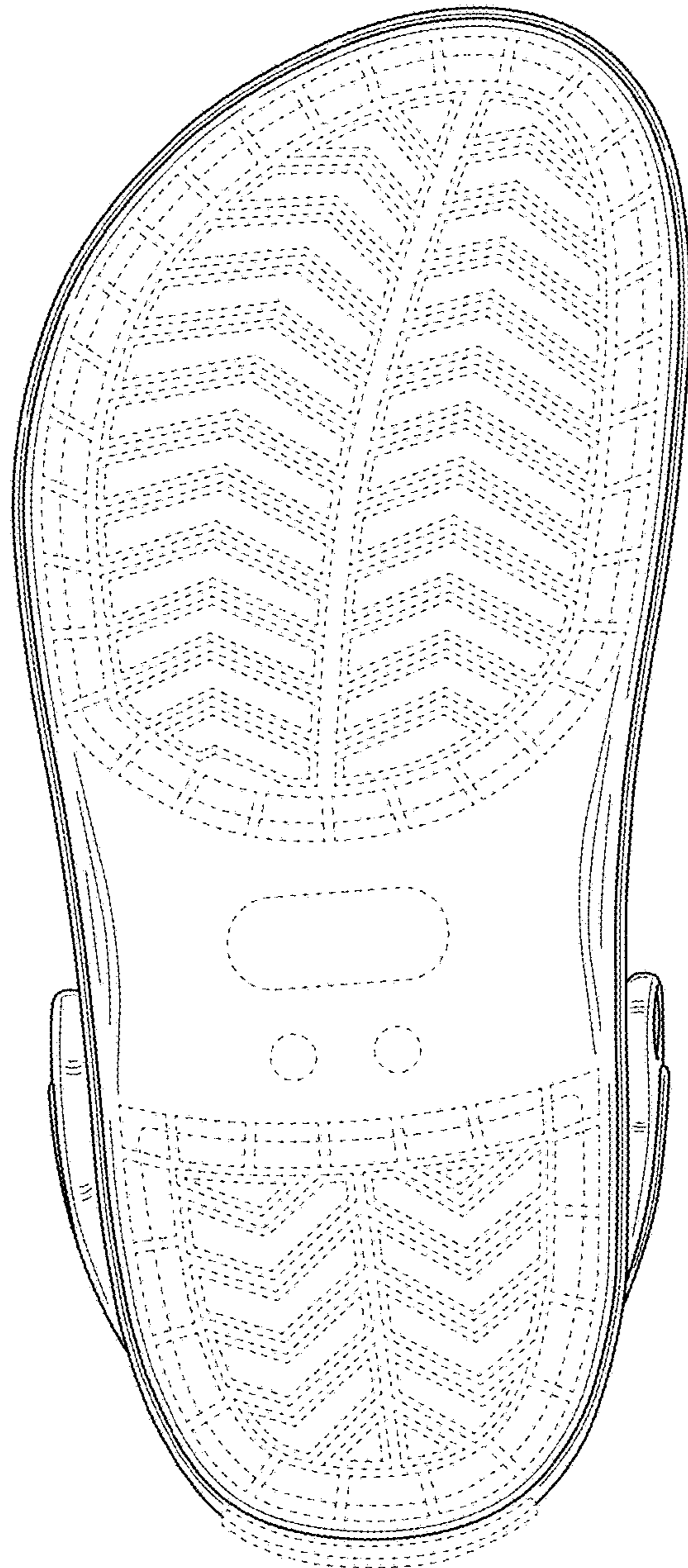


FIG. 7