



US00D873536S

(12) **United States Design Patent** (10) **Patent No.:** **US D873,536 S**  
**Manos-Gully et al.** (45) **Date of Patent:** **\*\* Jan. 28, 2020**

(54) **JACKET**

(71) Applicant: **NIKE, Inc.**, Beaverton, OR (US)

(72) Inventors: **Alexa Manos-Gully**, Portland, OR (US); **Raj C. Mistry**, Portland, OR (US); **Karl Pinfeld**, Portland, OR (US)

(73) Assignee: **NIKE, Inc.**, Beaverton, OR (US)

(\*\*) Term: **15 Years**

(21) Appl. No.: **29/678,752**

(22) Filed: **Jan. 30, 2019**

(51) **LOC (12) Cl.** ..... **02-02**

(52) **U.S. Cl.**  
USPC ..... **D2/828**

(58) **Field of Classification Search**

USPC ..... D2/828-831, 836, 823-826, 861, 731, D2/750, 755, 999, 878; D6/582-583,  
(Continued)

(56) **References Cited**

**U.S. PATENT DOCUMENTS**

D11,670 S 3/1880 Conde  
D70,627 S \* 7/1926 Schaffer ..... D2/636  
(Continued)

**OTHER PUBLICATIONS**

Nine Best Travel Hoodies; Bluesmiths Kula Windpro Hoodie; Published Oct. 2, 2018 Smarter Travel Website; Visited Online Aug. 28, 2019; <https://www.smartertravel.com/best-travel-hoodie/> (Year: 2018).\*

(Continued)

*Primary Examiner* — Amy C Wierenga

(74) *Attorney, Agent, or Firm* — Banner & Witcoff, Ltd.

(57) **CLAIM**

The ornamental design for a jacket, as shown and described.

**DESCRIPTION**

FIG. 1 is a front perspective view of a jacket showing our new design;

FIG. 2 is a rear view thereof;

FIG. 3 is a top view thereof;

FIG. 4 is a left side view thereof, the right side being a mirror image thereof;

FIG. 5 is an enlarged view showing only the hood of the jacket as shown in FIG. 1 with the remainder of the jacket removed for clarity purposes;

FIG. 6 is an enlarged view showing only the hood of the jacket as shown in FIG. 2 with the remainder of the jacket removed for clarity purposes;

FIG. 7 is an enlarged view showing only the hood of the jacket as shown in FIG. 3 with the remainder of the jacket removed for clarity purposes;

FIG. 8 is an enlarged view showing only the hood of the jacket as shown in FIG. 4 with the remainder of the jacket removed for clarity purposes;

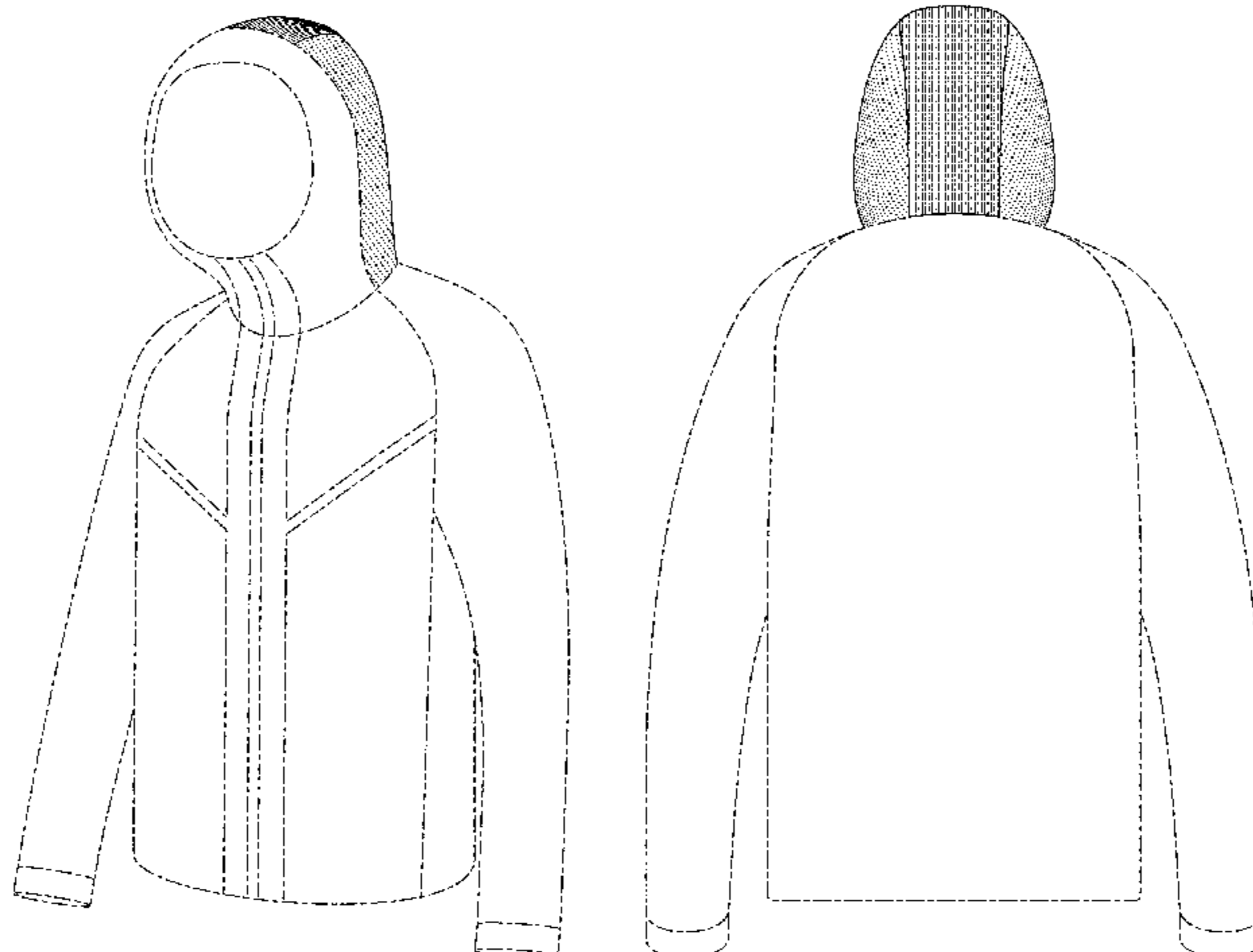
FIG. 9 is an enlarged view of indicated portion “9” from FIG. 7; and,

FIG. 10 is an enlarged view of the indicated portion “10” from FIG. 8.

The lines shown within the center hood portion of the claim reflect a contrast in appearance. The dot dash broken lines shown in FIGS. 7-10 as callouts and enlarged views, indicate cutoff boundaries for enlarged detailed portion views that form no part of the claim.

The broken lines immediately adjacent to the shaded area define the bounds of the claimed design and form no part thereof. The lines shown within the center hood portion of the claim reflect a contrast in appearance relative to the sides of the hood. The dot dash broken lines shown in FIGS. 7-10 as callouts and enlarged views, indicate cutoff boundaries for enlarged detailed portion views that form no part of the claim. The broken lines depicting the remainder of the jacket show features that form no part of the claimed design.

**1 Claim, 10 Drawing Sheets**



(58) **Field of Classification Search**  
 USPC ..... D6/596, 603, 605, 611; D24/124–126;  
                   D5/1, 2–4, 7, 47, 53–54, 57–58, 60–61  
 CPC ..... A41D 27/28; A41D 2500/30; A41D  
                   2600/10; A41D 2200/20  
 See application file for complete search history.

(56) **References Cited**  
 U.S. PATENT DOCUMENTS

D86,519	S	3/1932	Graber	
D96,282	S	7/1935	Scott	
D98,542	S	2/1936	Minoff	
D117,410	S	10/1939	Wershing	
D117,614	S	11/1939	Fortstmann	
D118,126	S	12/1939	Minoff	
D131,308	S	2/1942	Selver	
D187,362	S	3/1960	Ellefson	
D237,844	S *	12/1975	Stock	D2/870
4,573,218	A *	3/1986	Saggs	A41D 15/002 2/108
D444,631	S	7/2001	Woodbridge et al.	
7,043,766	B1 *	5/2006	Foreman	A41B 9/06 2/81
D553,329	S	10/2007	Wager	
D553,330	S	10/2007	Wager	
D588,783	S *	3/2009	Olstorn	D2/828
D633,692	S	3/2011	Lawrence et al.	
D635,332	S	4/2011	DeRobertis	
D647,309	S	10/2011	Kuehn et al.	
D670,917	S	11/2012	Blackford	
8,453,264	B2 *	6/2013	Mickle	A41D 3/04 2/82
D695,495	S *	12/2013	Astacio	D2/881
D721,467	S	1/2015	Tref	
D728,245	S	5/2015	Haverfield et al.	
D737,543	S *	9/2015	Turner	D2/717
D758,047	S *	6/2016	Burlo	D2/831
D758,700	S	6/2016	Borovicka	

D762,048	S	7/2016	Lomax	
D762,346	S	8/2016	Lomax	
D764,742	S	8/2016	Criss	
D775,788	S	1/2017	Darmour	
D787,160	S	5/2017	Crowe et al.	
D789,042	S	6/2017	Lomax	
D790,809	S	7/2017	Lomax	
D793,034	S	8/2017	Holder	
D799,167	S	10/2017	Carey et al.	
D799,168	S	10/2017	Carey et al.	
D805,732	S	12/2017	Bushby et al.	
D807,612	S	1/2018	Bushby et al.	
D809,745	S	2/2018	Crowe et al.	
D829,969	S *	10/2018	Vasylyev	D26/120
D843,689	S	3/2019	Kinnear	
2016/0150847	A1 *	6/2016	Johnson	A42C 5/04 2/84
2017/0340037	A1 *	11/2017	Bailey	A41D 27/285
2018/0002849	A1 *	1/2018	Beattie	A41D 31/00

OTHER PUBLICATIONS

15 Best running Jackets for Men Review in 2019; #11 Columbia Outdry Ex Caldorado Shell Jacket; GearHungry Website; Published Apr. 16, 2019; Visited Online Aug. 8, 2019; <https://www.gearhungry.com/running-jackets/> (Year: 2019).\*

Nike Footwear Catalog, 2011 Spring Performance Apparel, p. 6, published May 2010, NIKE, Inc., USA.

Nike Footwear Catalog, 2011 Spring Performance Apparel, p. 15, published May 2010, NIKE, Inc., USA.

Nike Footwear Catalog, 2012 Fall Jordan Footwear, p. 9, published Nov. 2011, NIKE, Inc., USA.

Nike Footwear Catalog, 2017 Spring Boutique Apparel Equipment NA, p. 145, published May 2016, NIKE, Inc., USA.

Nike Footwear Catalog, 2012 Fall Jordan Footwear, p. 10, published Nov. 2011, NIKE, Inc., USA.

Nike Footwear Catalog, 2017 Spring Boutique Apparel Equipment NA, p. 131, published May 2016, NIKE, Inc., USA.

\* cited by examiner

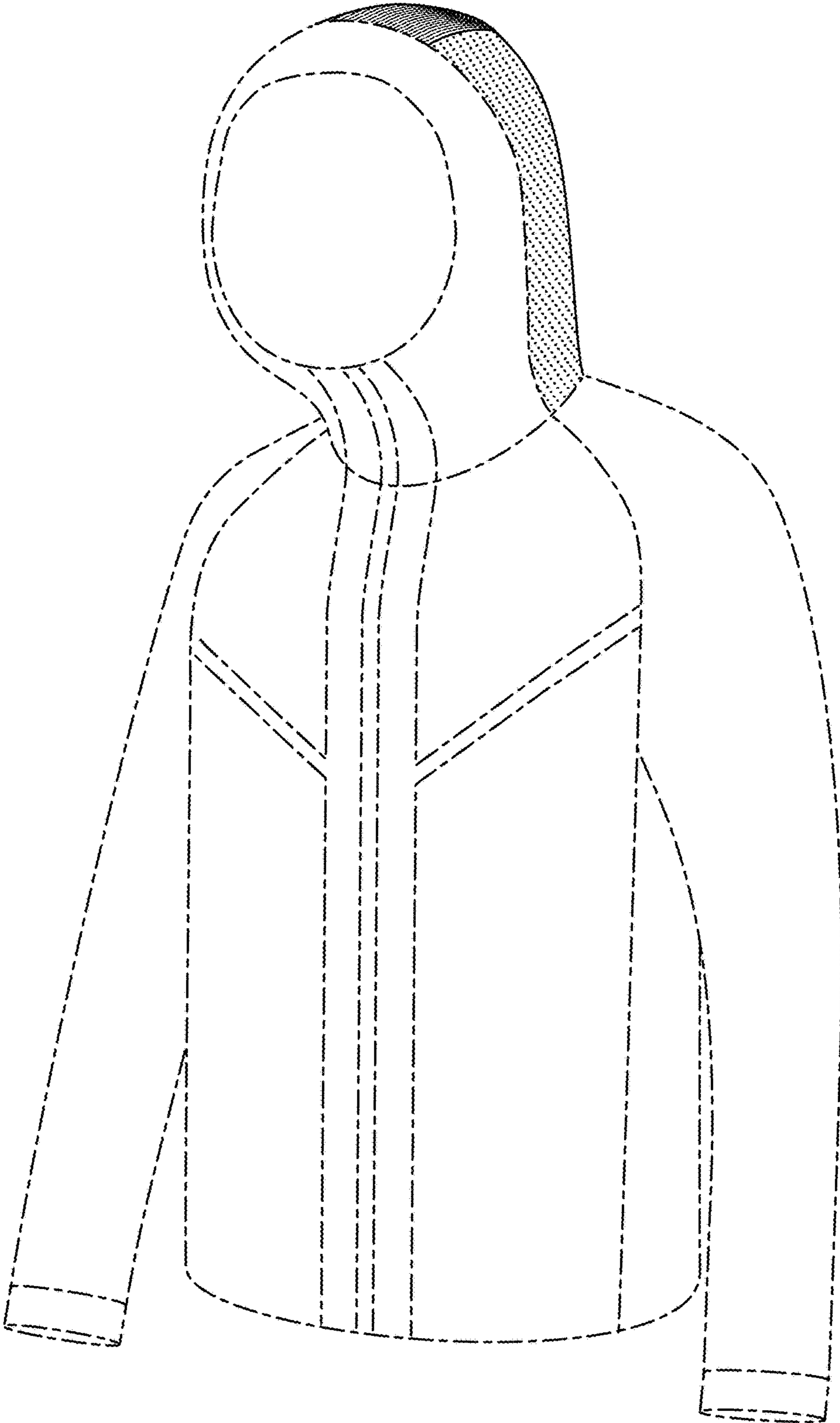


FIG. 1

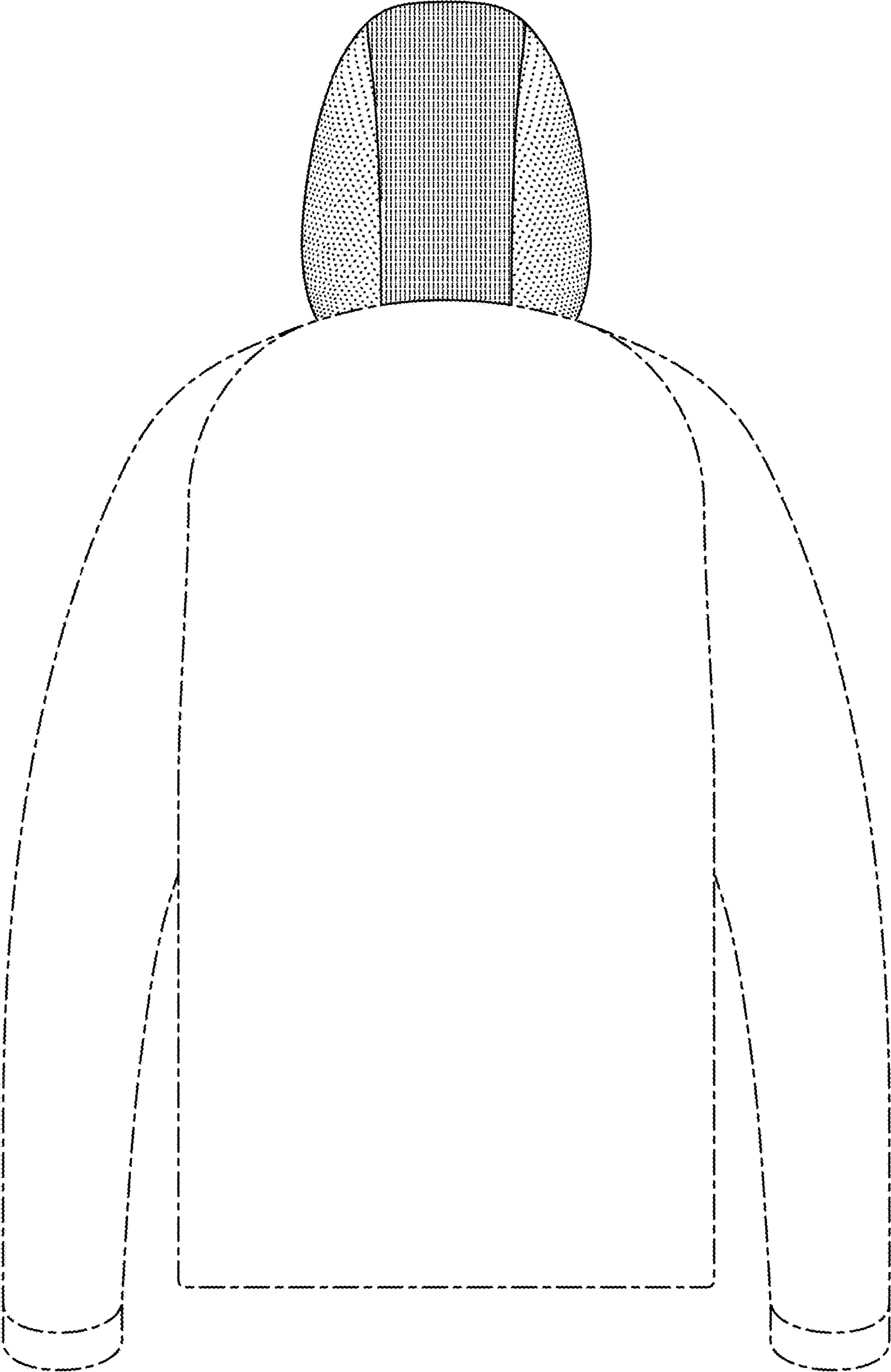
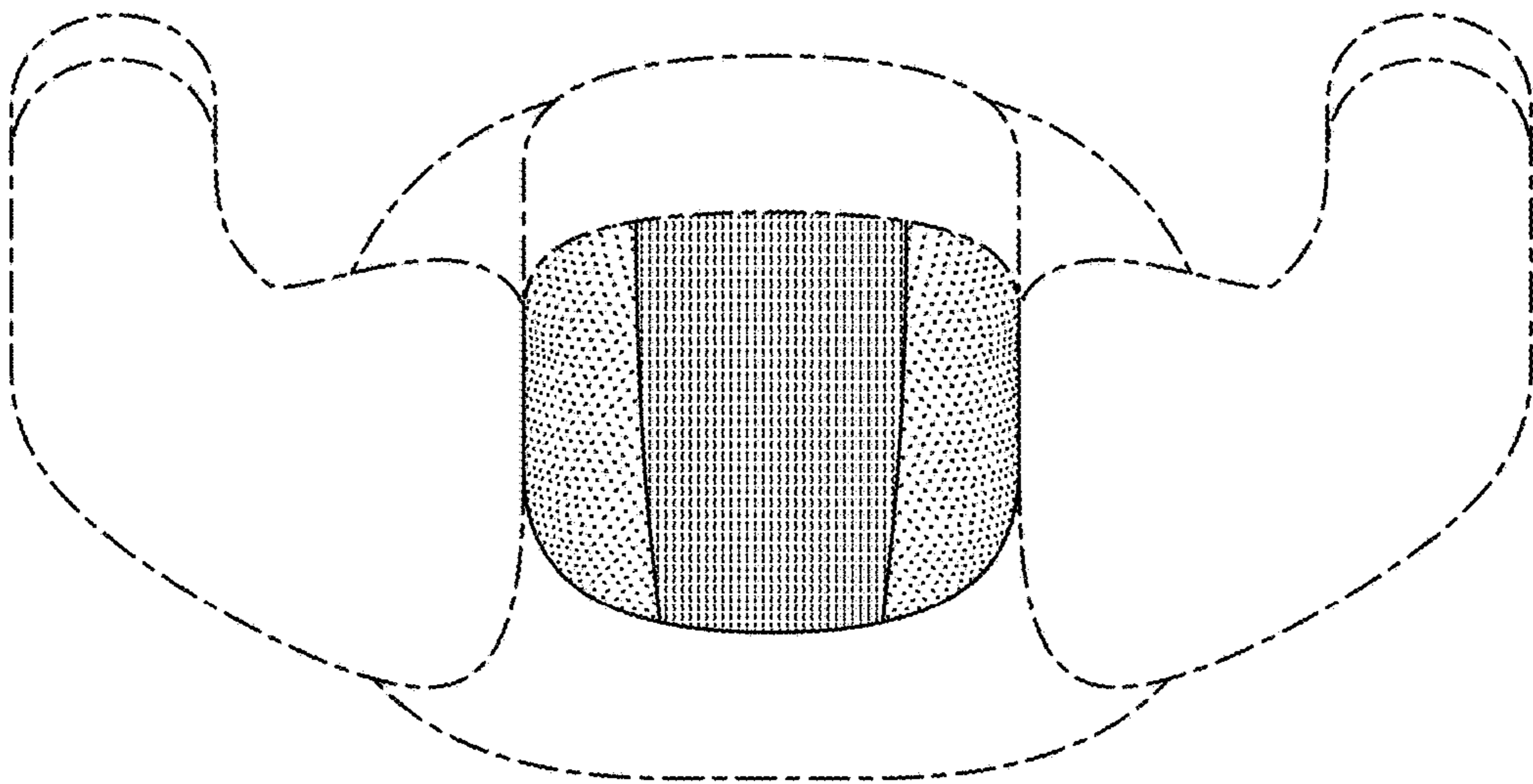


FIG. 2



**FIG. 3**

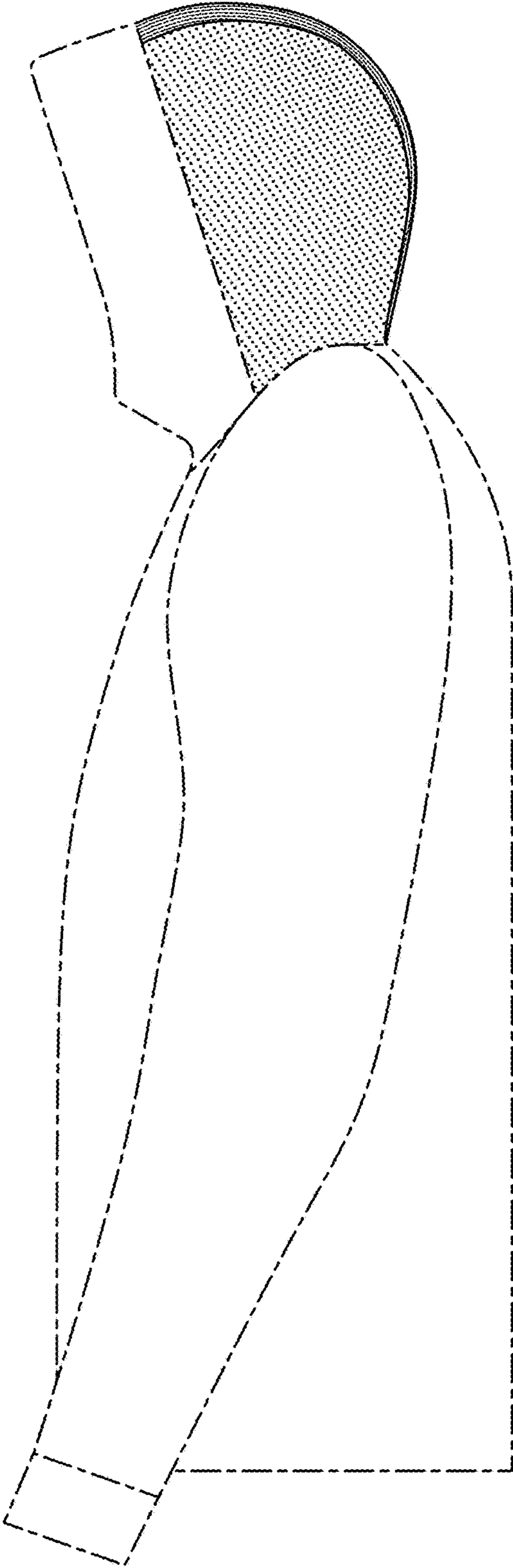
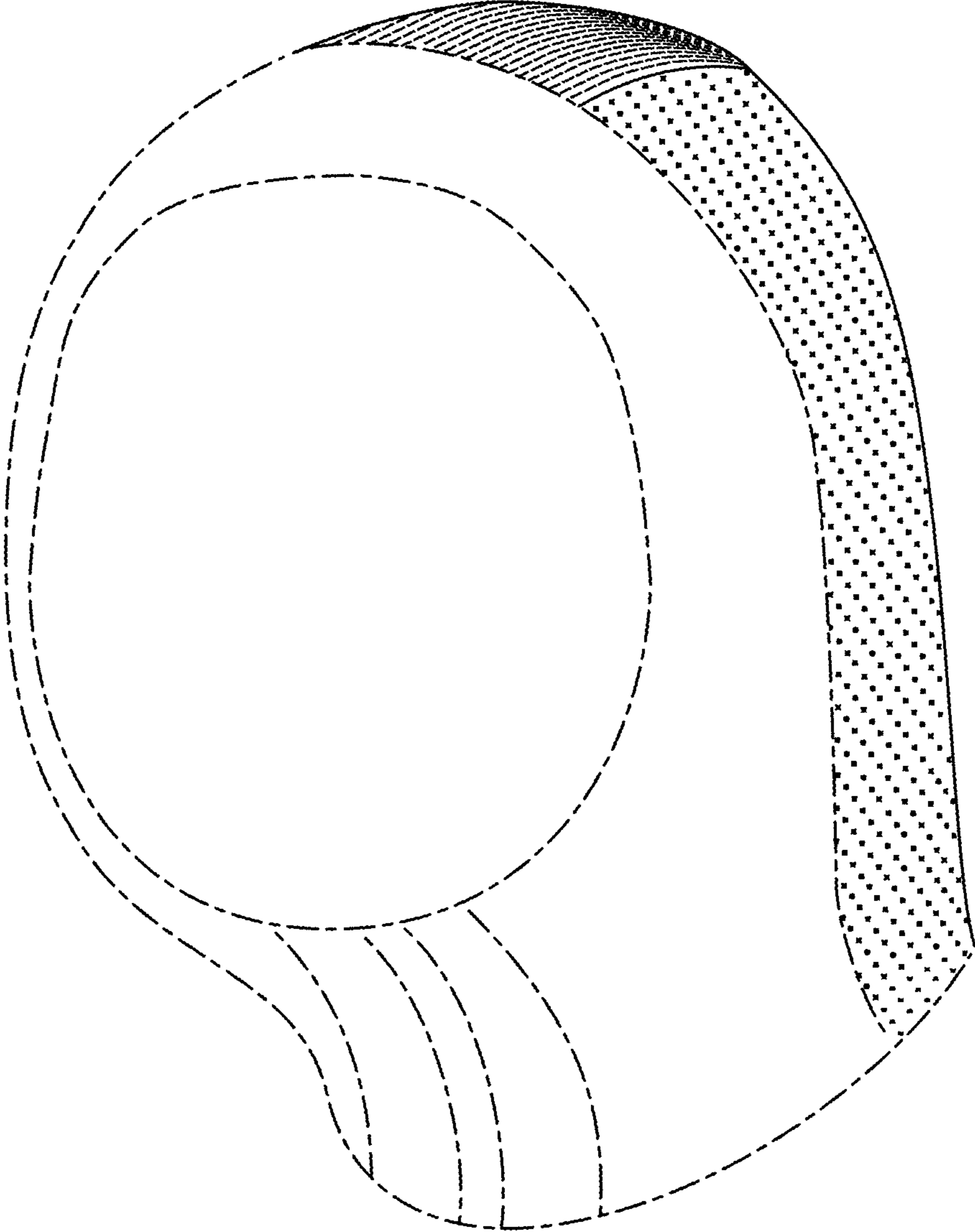
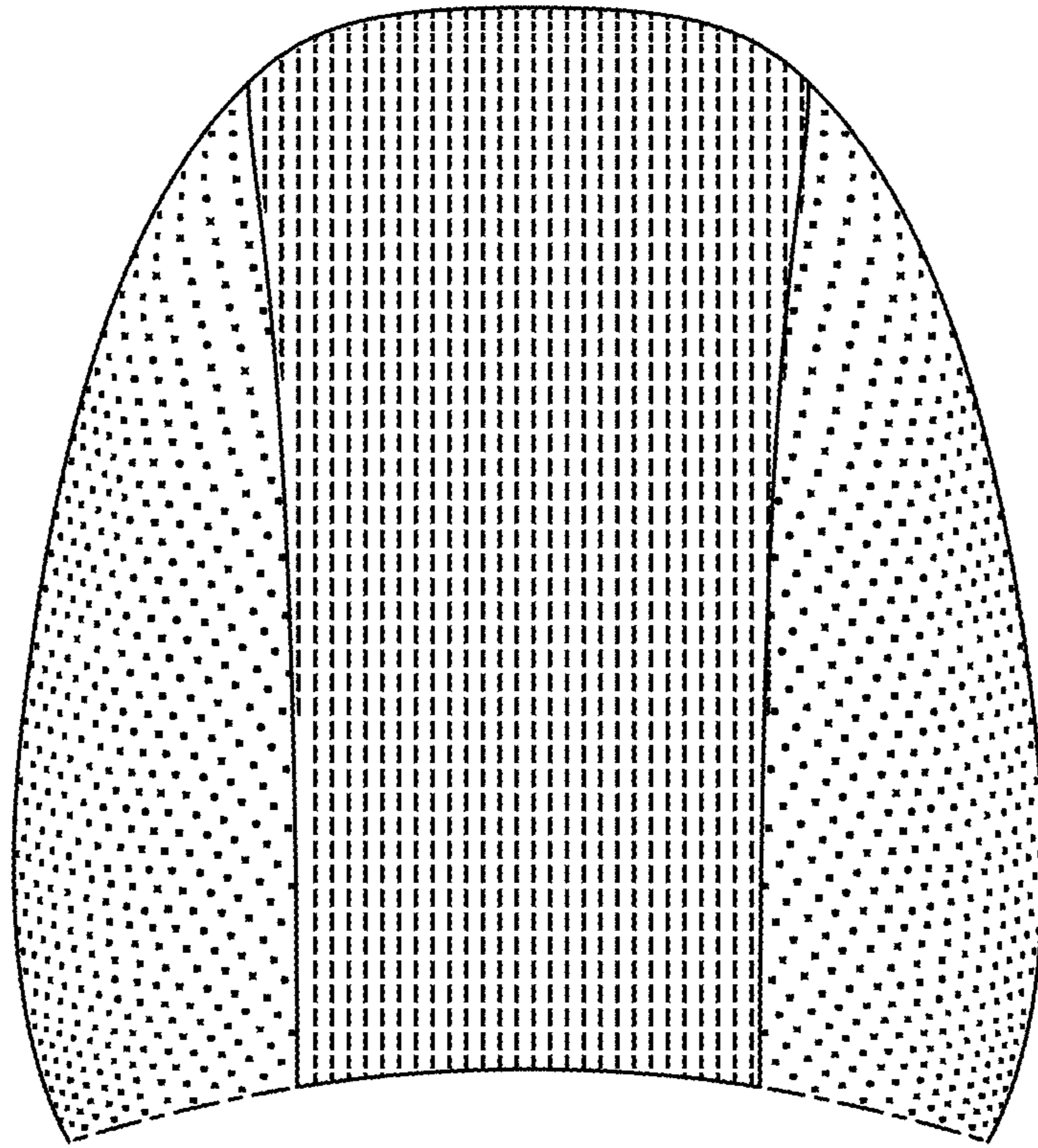


FIG. 4



**FIG. 5**



**FIG. 6**



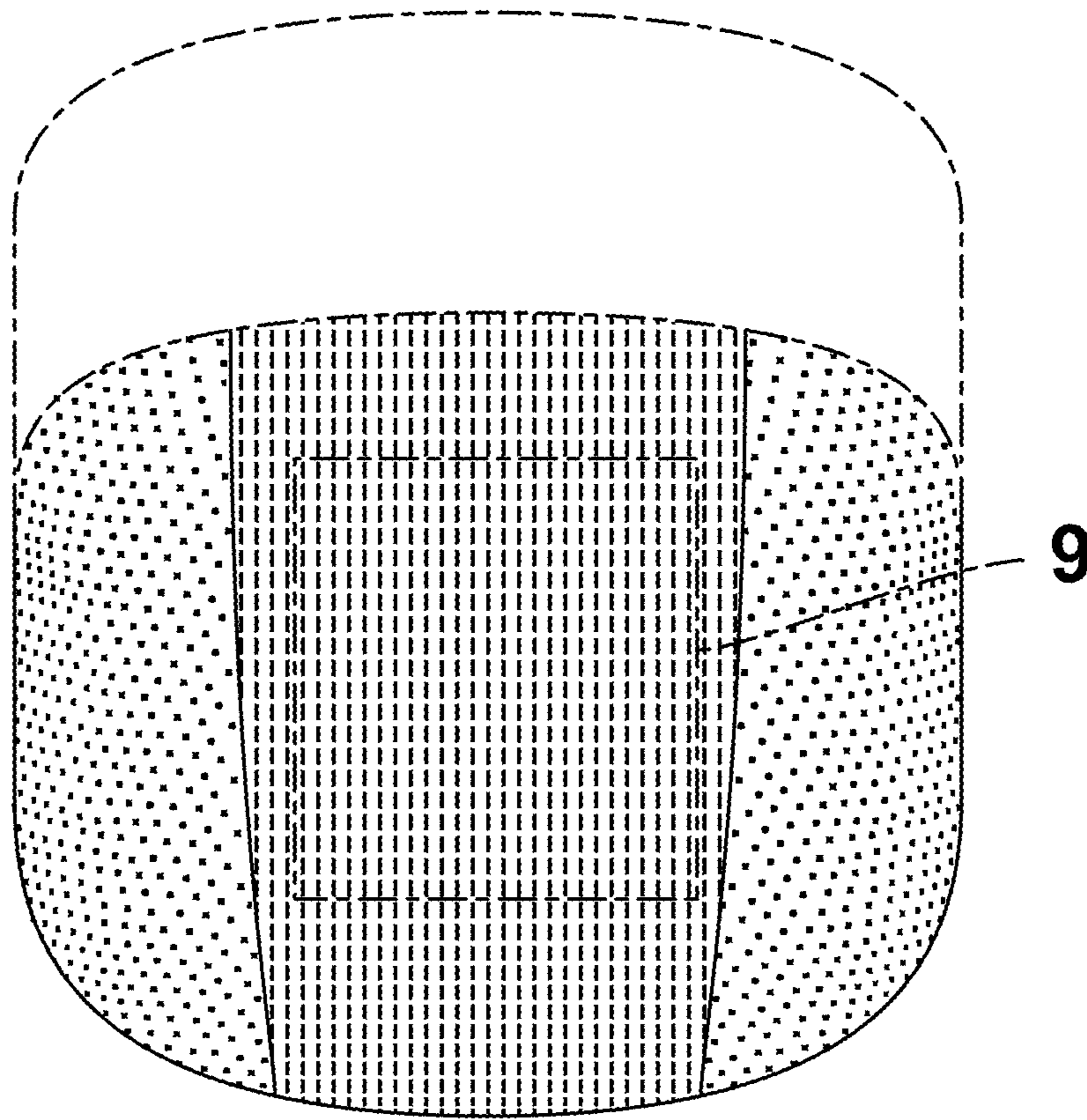
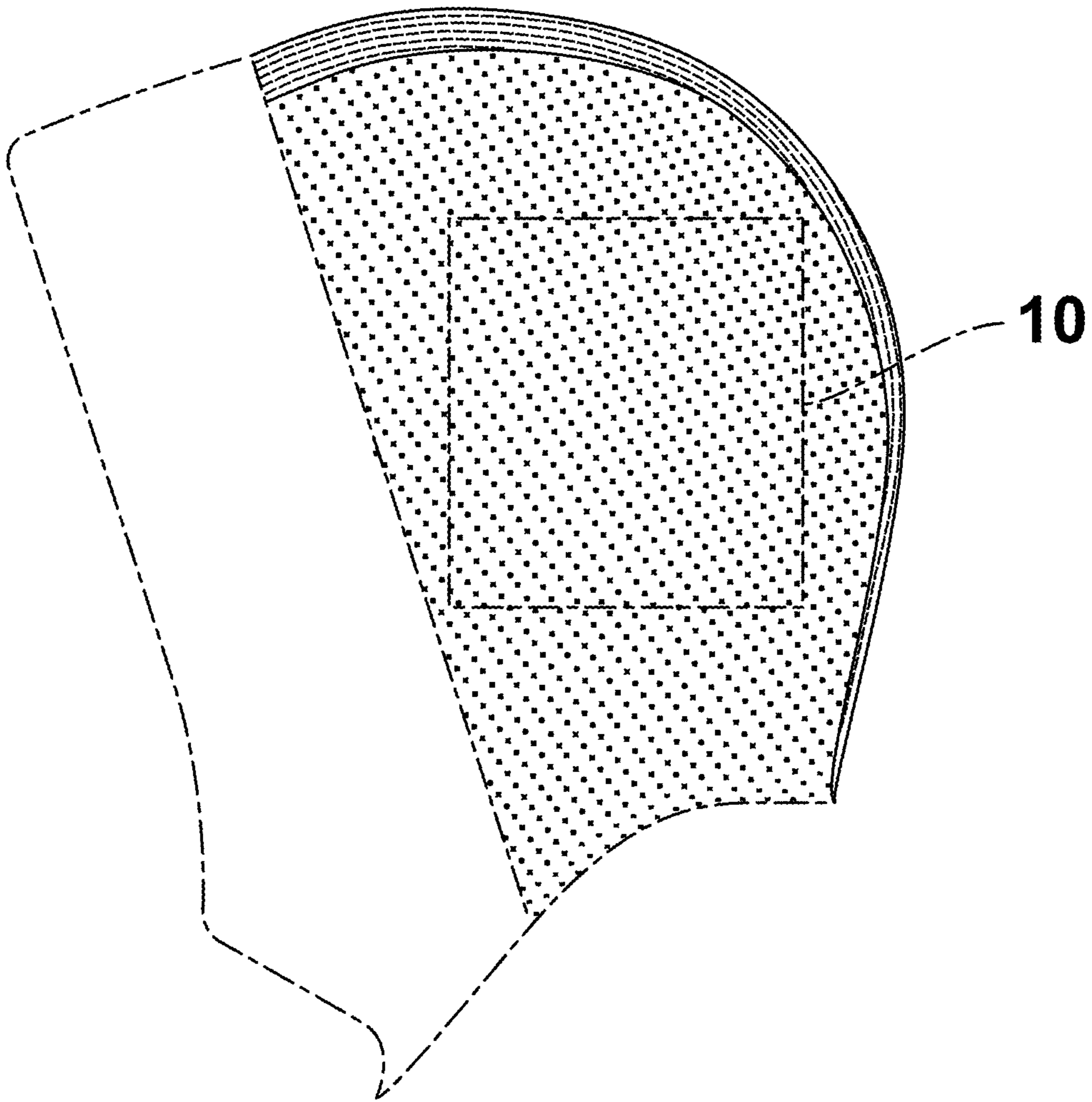
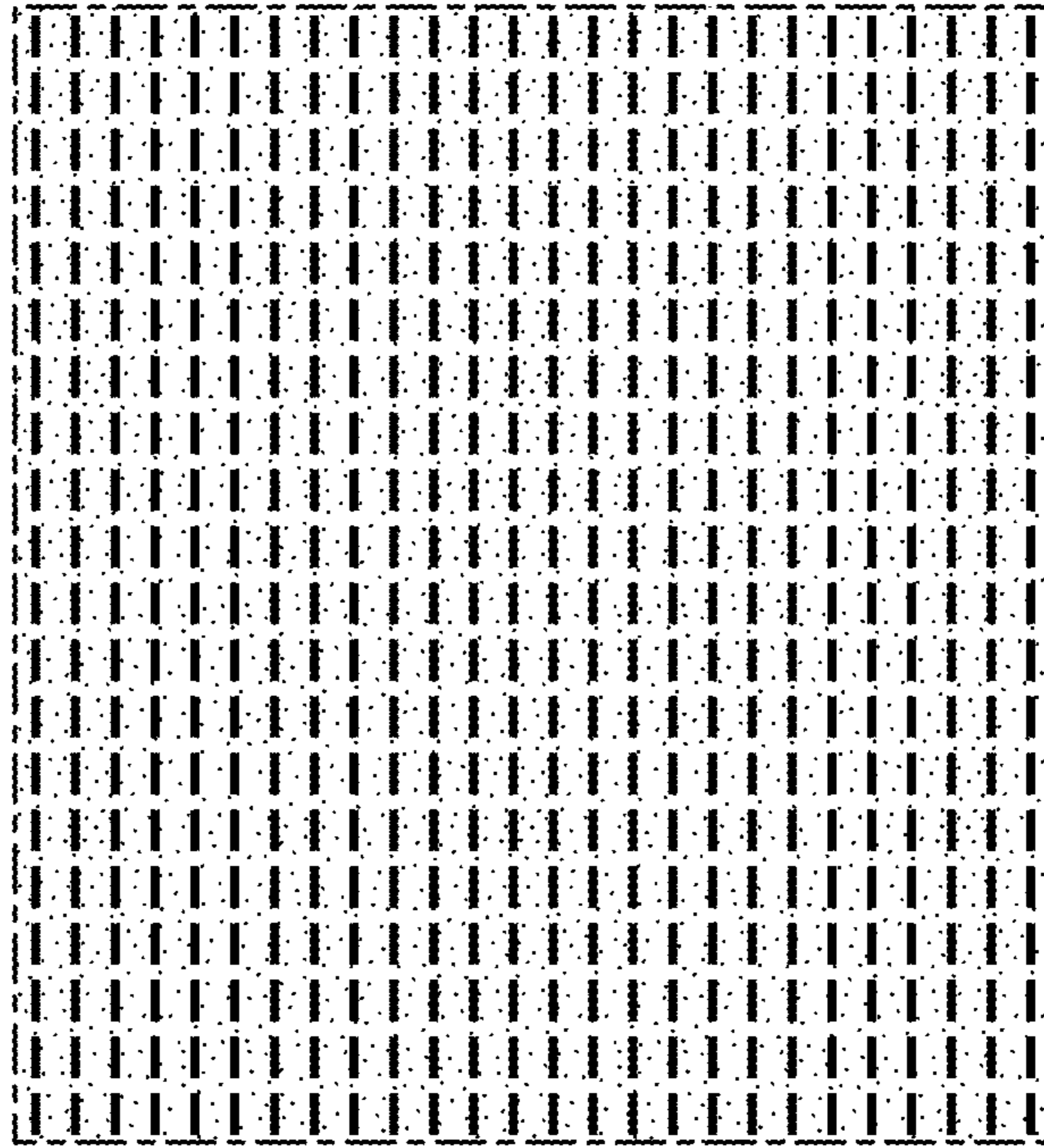


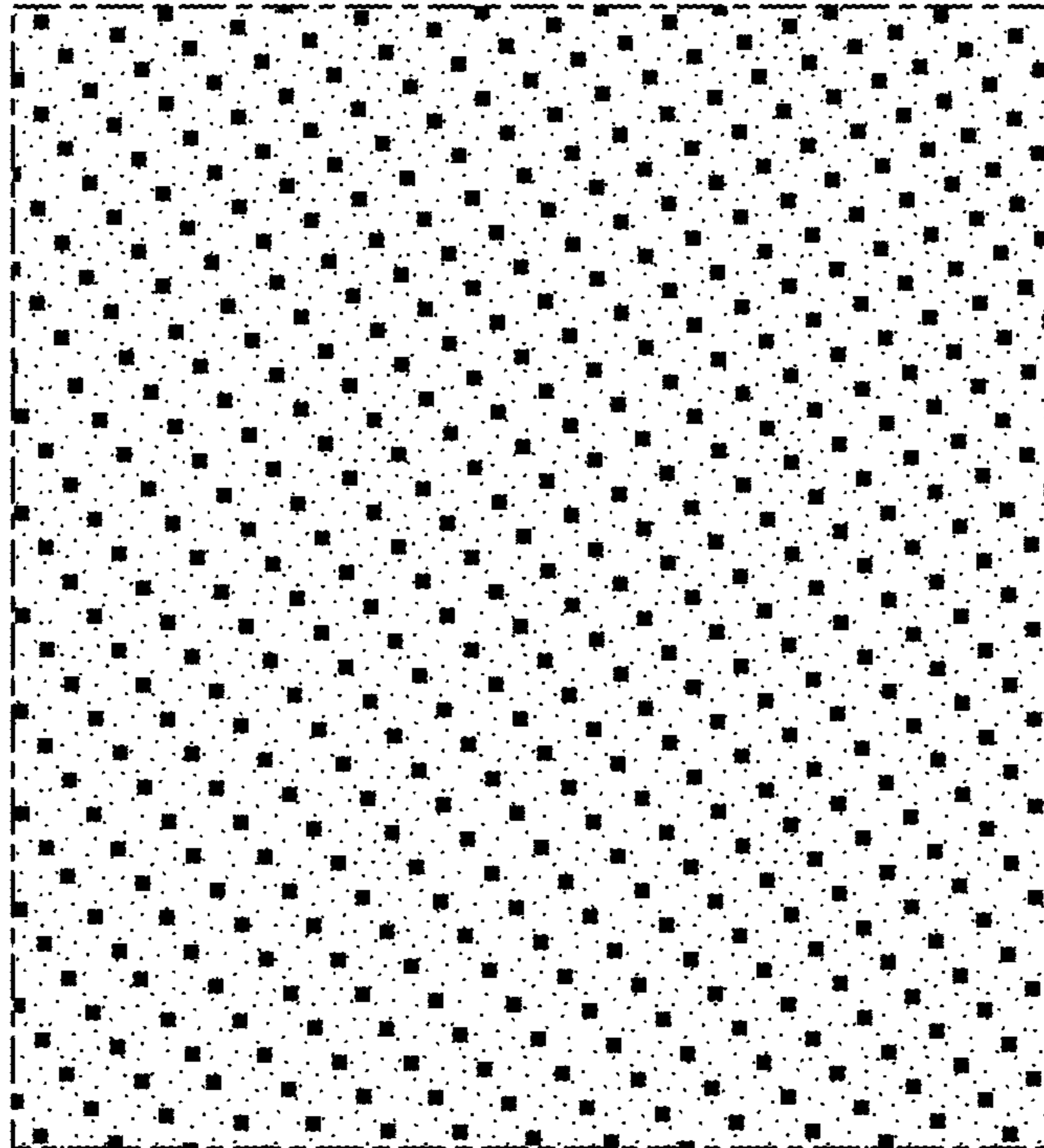
FIG. 7



**FIG. 8**



**FIG. 9**



**FIG. 10**