



US00D873534S

(12) **United States Design Patent** (10) **Patent No.:** **US D873,534 S**  
**Caron et al.** (45) **Date of Patent:** **\*\* Jan. 28, 2020**

(54) **LEGGINGS**

- (71) Applicant: **Blanqi, LLC**, Atlanta, GA (US)
- (72) Inventors: **Valerie Caron**, Fort Mill, SC (US);  
**Sabina Melarti**, Duluth, GA (US)
- (73) Assignee: **Blanqi, LLC**, Atlanta, GA (US)
- (\*\*) Term: **15 Years**
- (21) Appl. No.: **29/656,297**
- (22) Filed: **Jul. 11, 2018**
- (51) **LOC (12) Cl.** ..... **02-02**
- (52) **U.S. Cl.**  
USPC ..... **D2/742**
- (58) **Field of Classification Search**  
USPC ..... D2/712, 716, 722, 728, 731–732, 738,  
D2/742, 744–745, 747–748  
See application file for complete search history.

(56) **References Cited**

U.S. PATENT DOCUMENTS

337,316	A *	3/1886	Erlanger	.....	A41D 1/10 2/231
2,664,570	A *	1/1954	Artzt	.....	A41D 10/00 2/78.3
D774,731	S *	12/2016	Harris	.....	D2/742
D780,405	S *	3/2017	Wenzel	.....	D2/742
D790,161	S *	6/2017	Lee	.....	D2/742
D794,278	S *	8/2017	Carey	.....	D2/731
D798,027	S *	9/2017	Brown	.....	D2/731
D804,781	S *	12/2017	Kositchiranant	.....	D2/731
D833,712	S *	11/2018	Denton	.....	D2/742
D846,836	S *	4/2019	Cristiani	.....	D2/731
2014/0196196	A1 *	7/2014	Lee	.....	A41B 9/14 2/400
2018/0116301	A1 *	5/2018	Shin	.....	A41D 1/08
2018/0255854	A1 *	9/2018	Correia-Thomas	.....	A41D 31/0061

OTHER PUBLICATIONS

SportSupport Hipster Contour Legging; BLANQI Website; Earliest Review Sep. 11, 2018; Visited Online Aug. 29, 2019; <https://www.blanqi.com/collections/support-bottoms/products/sport-support-hipster-contour-legging?variant=12174620196972&bf=0#shopify-product-reviews> (Year: 2018).\*

(Continued)

*Primary Examiner* — Amy C Wierenga

(74) *Attorney, Agent, or Firm* — Lerner, David, Littenberg, Krumholz & Mentlik, LLP

(57) **CLAIM**

The ornamental design for leggings, as shown and described.

**DESCRIPTION**

This application is related to U.S. application Ser. No. 29/656,295 filed Jul 11, 2018, entitled “Leggings,” which is concurrently filed herewith, and the disclosure of which is incorporated herein by reference.

FIG. 1 is a front perspective view of leggings according to our new design;

FIG. 2 is a rear perspective view thereof;

FIG. 3 is a front elevation view thereof;

FIG. 4 is a rear elevation view thereof;

FIG. 5 is a right side elevation view thereof, the left side being a mirror image thereof; and,

FIG. 6 is an enlarged view of the section shown in FIG. 1.

The broken lines shown in the drawings are for the purpose of illustrating portions of the leggings that form no part of the claimed design. The broken line pattern shown between many of the diagonal stripes illustrates portions of the leggings that form no part of the claimed design.

**1 Claim, 6 Drawing Sheets**

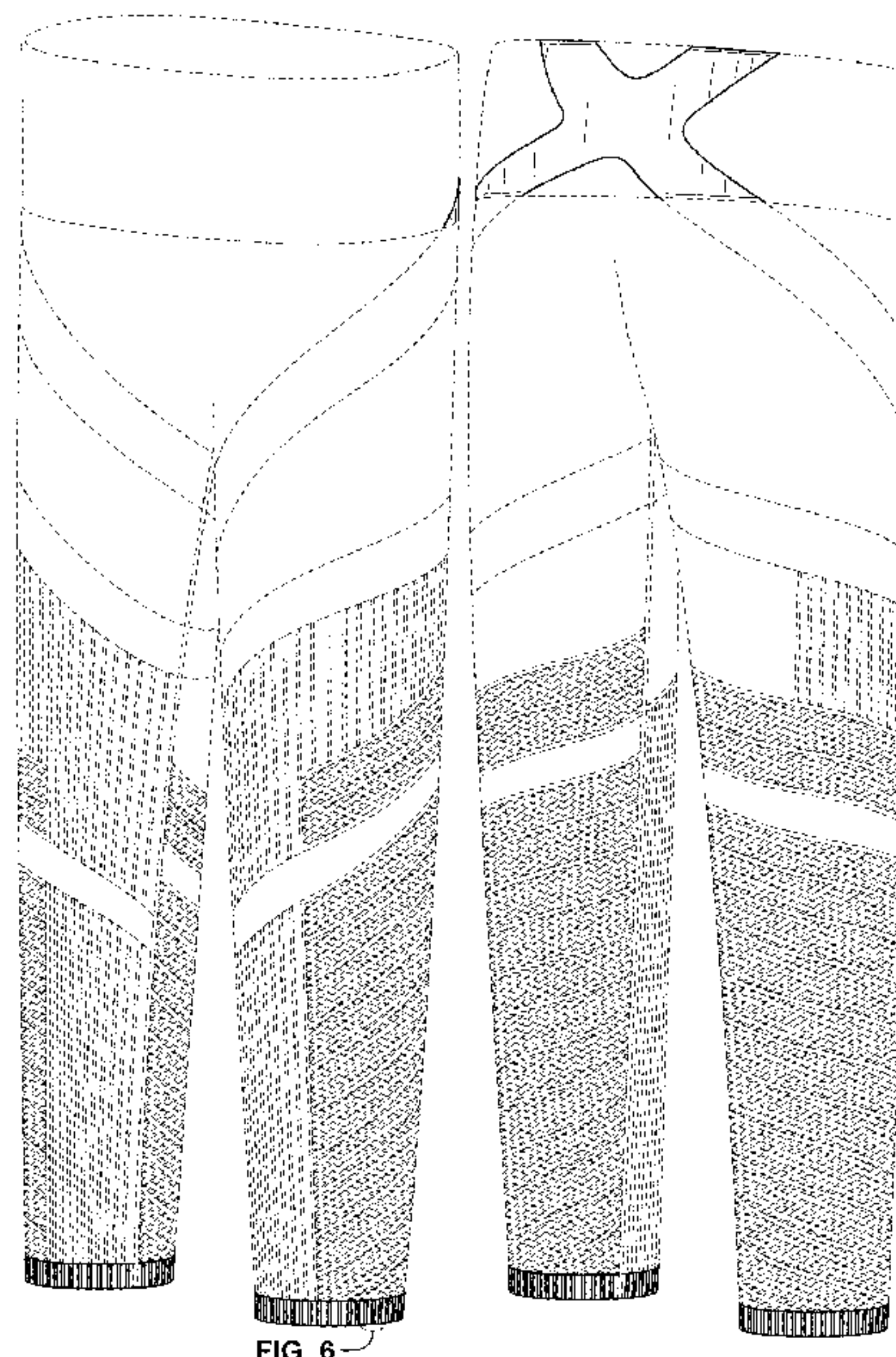


FIG. 6

(56)

**References Cited**

OTHER PUBLICATIONS

BLANQI SportSupport Hipster Cuffed Leggings; First Available Date Jun. 11, 2018; Visited Online; [https://www.amazon.com/SportSupport-Hipster-Contour-Legging-Small/dp/B07DNKJM1C/ref=sr\\_1\\_1?keywords=blanqi+support+support+hipster+contour+leggings&qid=1567036925&s=gateway&sr=8-1](https://www.amazon.com/SportSupport-Hipster-Contour-Legging-Small/dp/B07DNKJM1C/ref=sr_1_1?keywords=blanqi+support+support+hipster+contour+leggings&qid=1567036925&s=gateway&sr=8-1) (Year: 2018).\*

Caron et al., U.S. Appl. No. 29/656,236, filed Jul. 11, 2018, titled "Leggings".

Caron et al., U.S. Appl. No. 29/656,241, filed Jul. 11, 2018, titled "Leggings".

Caron et al., U.S. Appl. No. 29/656,262, filed Jul. 11, 2018, titled "Leggings".

Caron et al., U.S. Appl. No. 29/656,275, filed Jul. 11, 2018, titled "Leggings".

Caron et al., U.S. Appl. No. 29/656,285, filed Jul. 11, 2018, titled "Leggings".

Caron et al., U.S. Appl. No. 29/656,295, filed Jul. 11, 2018, titled "Leggings".

\* cited by examiner

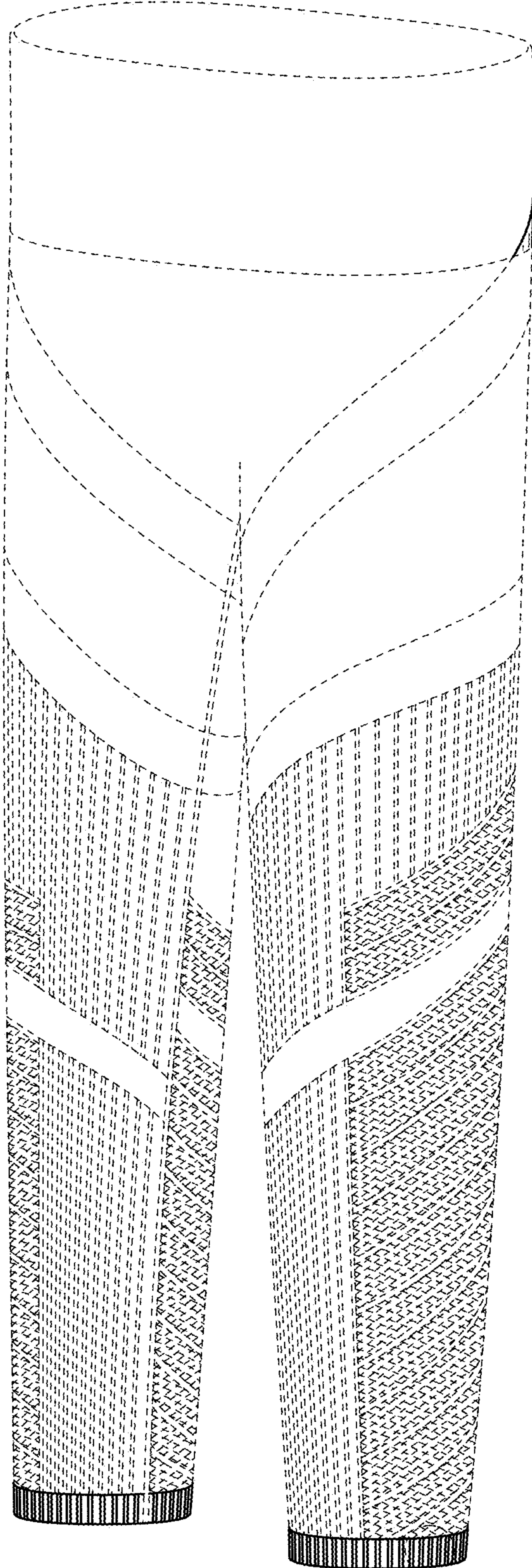


FIG. 6

FIG. 1



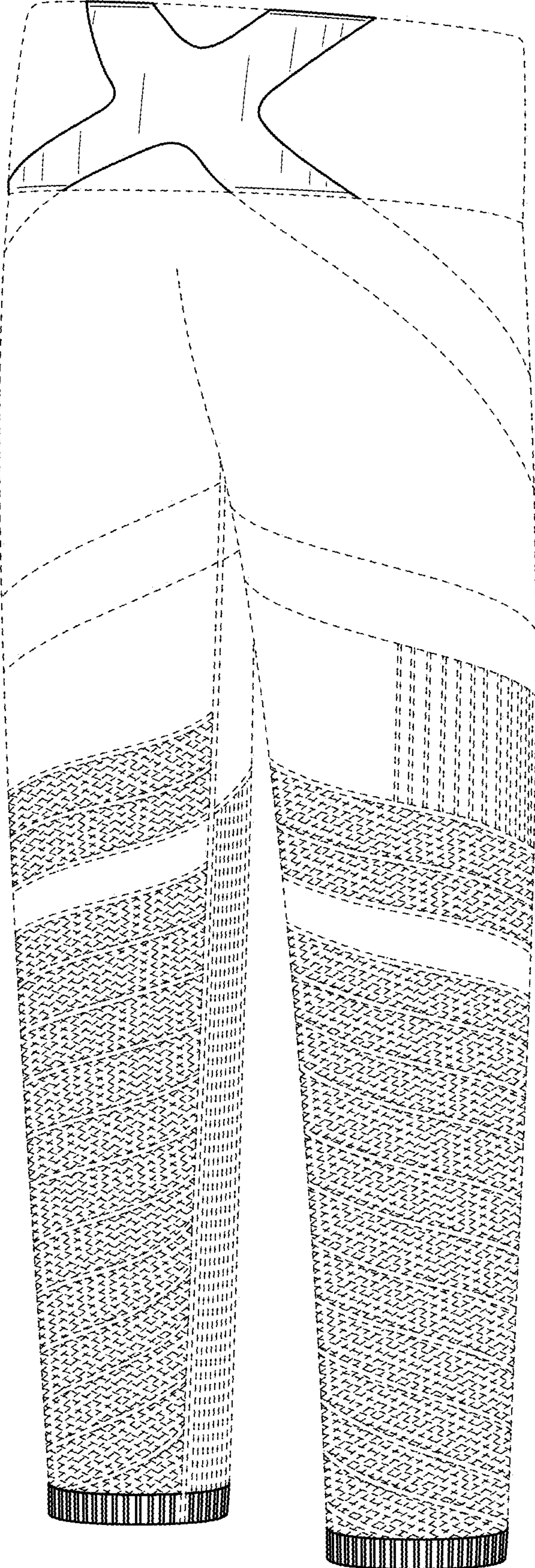


FIG. 2

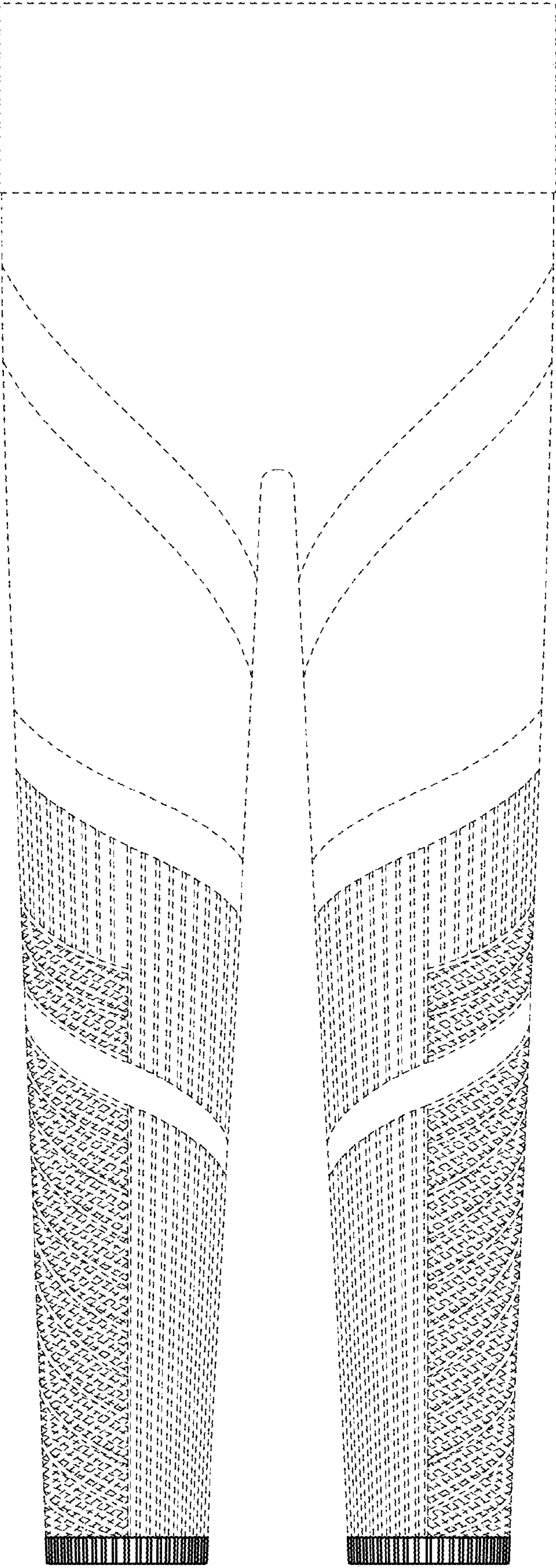


FIG. 3



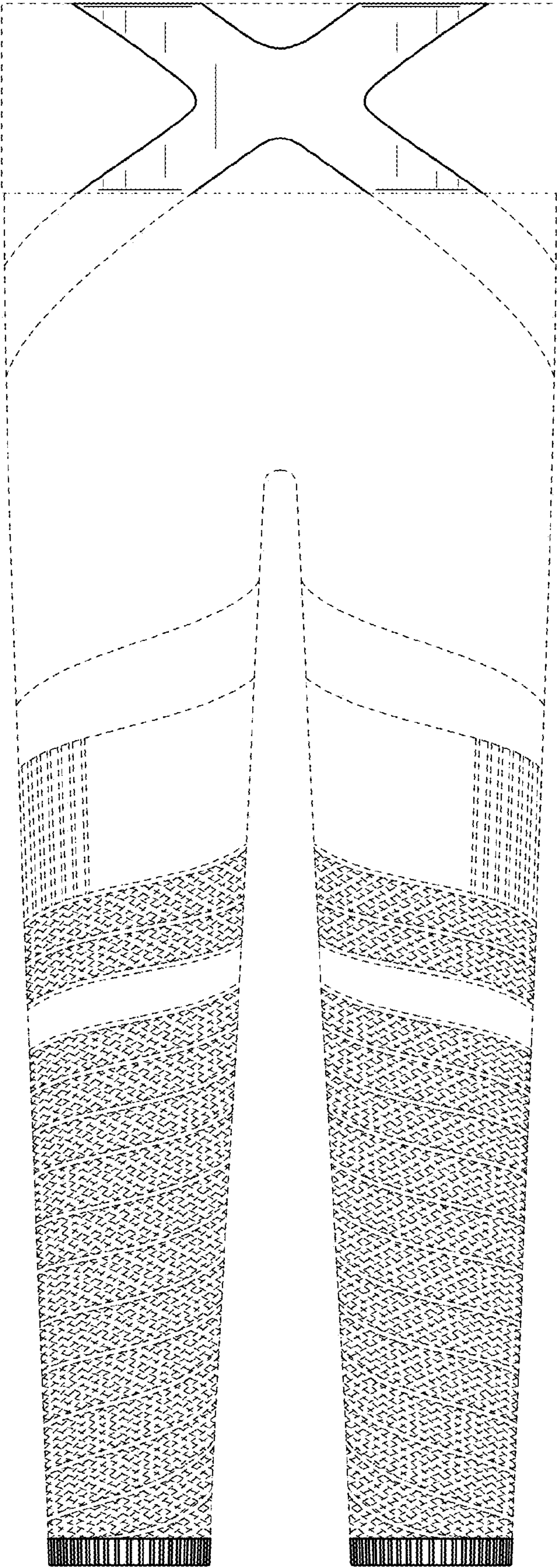


FIG. 4

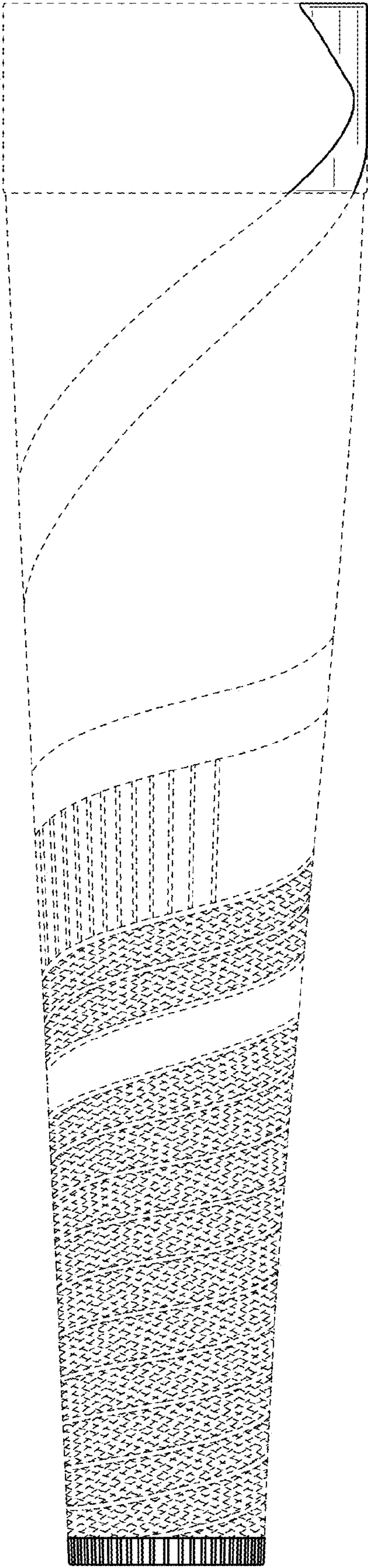


FIG. 5

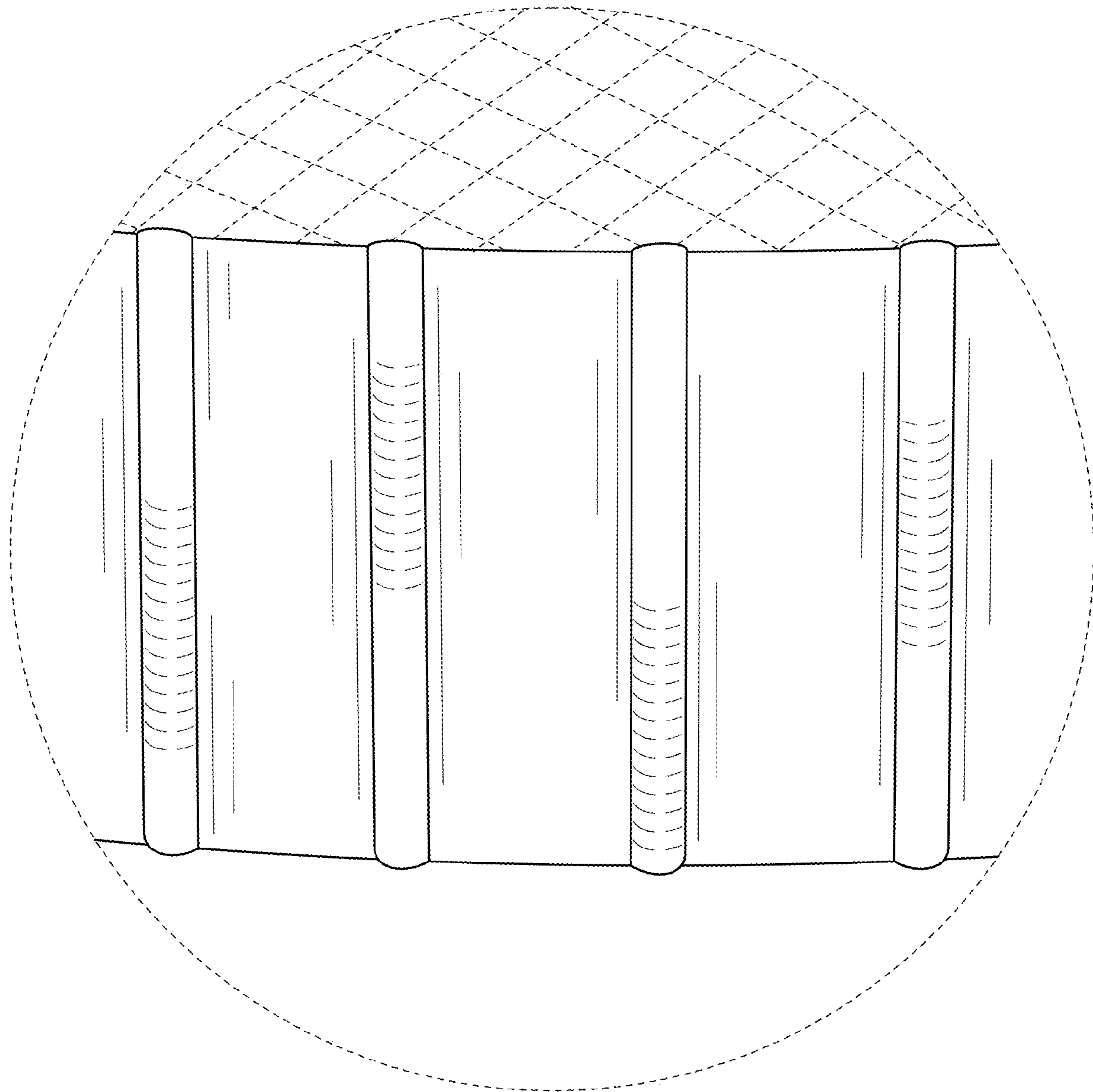


FIG. 6