



US00D873524S

(12) **United States Design Patent** (10) **Patent No.:** **US D873,524 S**
Applegate et al. (45) **Date of Patent:** **** Jan. 21, 2020**

(54) **COLLAPSIBLE PALLET CONSOLIDATOR**
(71) Applicant: **U.S. Government as Represented by the Secretary of the Army,** Washington, DC (US)
(72) Inventors: **Christopher Applegate,** Andover, NJ (US); **Jeffrey Van Derveer,** Randolph, NJ (US); **David Thomsen,** Bethlehem, PA (US)
(73) Assignee: **The United States of America as Represented by the Secretary of the Army,** Washington, DC (US)
(**) Term: **15 Years**
(21) Appl. No.: **29/611,294**
(22) Filed: **Jul. 21, 2017**
(51) **LOC (12) Cl.** **09-08**
(52) **U.S. Cl.**
USPC **D34/38**
(58) **Field of Classification Search**
USPC D34/38; D9/433; D3/302, 272, 273, D3/274, 298
CPC B65D 88/00; B65D 88/02; B65D 88/12; B65D 2519/00273
See application file for complete search history.

7,156,249 B2 1/2007 Heinrichs
D548,924 S * 8/2007 Frankenberg D34/38
D609,425 S * 2/2010 Svedberg D34/38
7,726,496 B2 6/2010 Heinrichs
7,739,965 B2 6/2010 Heinrichs
D672,553 S * 12/2012 Devillier D3/272
8,608,003 B2 12/2013 Lino
8,813,960 B2 8/2014 Fjelland
D733,426 S * 7/2015 Haas D3/272
D746,537 S * 12/2015 Kuo D34/38
D764,796 S * 8/2016 Urrea D3/272
2001/0019056 A1* 9/2001 Rosenfeldt B65D 9/38 220/7
2006/0288915 A1 12/2006 Kulbeth
2011/0155729 A1* 6/2011 Hall B65D 19/16 220/4.28

(Continued)

Primary Examiner — Cynthia Ramirez
(74) *Attorney, Agent, or Firm* — John P. DiScala

(57) **CLAIM**

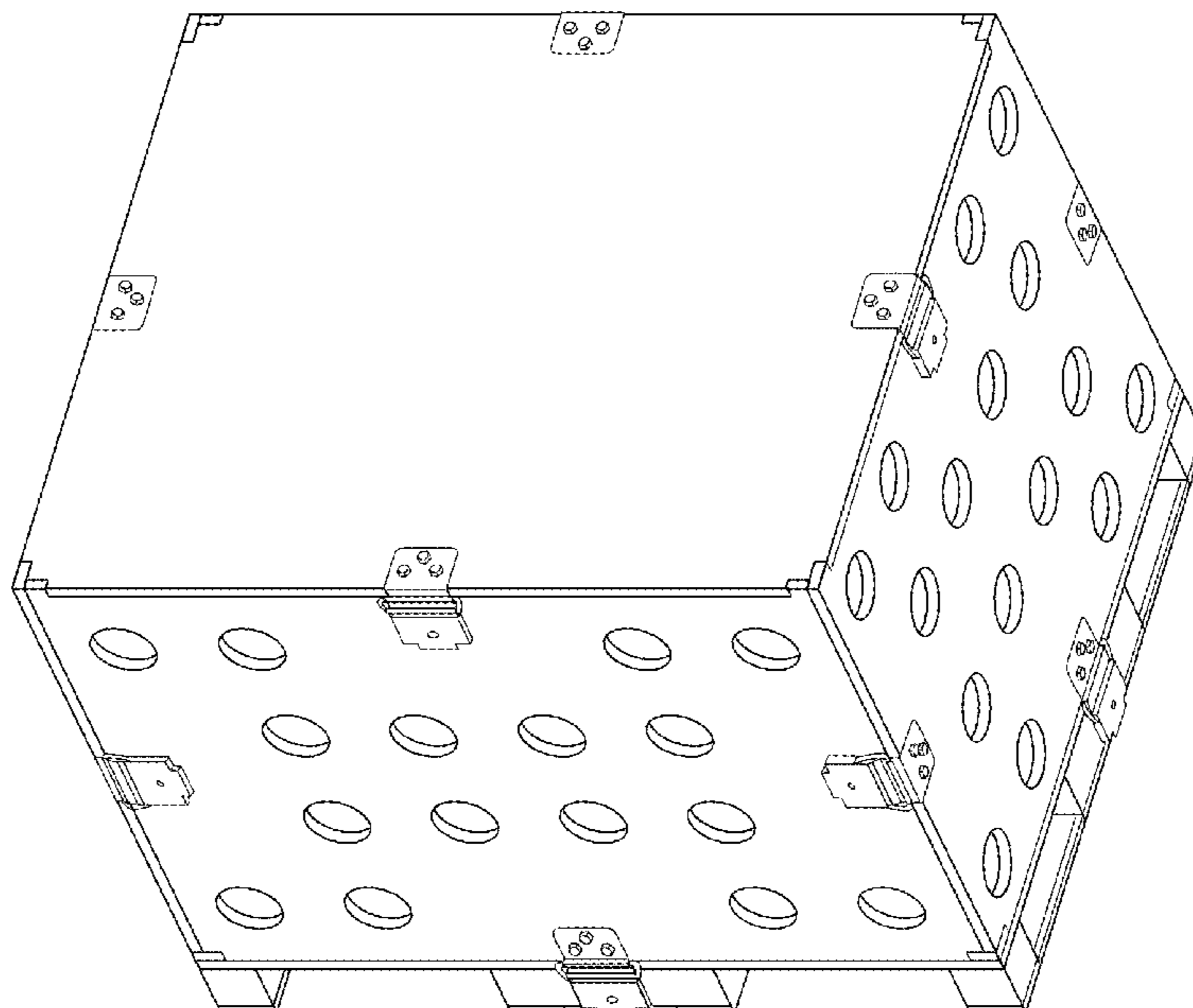
The ornamental design for a collapsible pallet consolidator, as shown and described.

DESCRIPTION

FIG. 1 shows a front perspective view of a collapsible pallet consolidator having full height walls.
FIG. 2 shows a front elevational view of the collapsible pallet consolidator having full height walls.
FIG. 3 shows a right side elevational view of the collapsible pallet consolidator having full height walls.
FIG. 4 shows a top plan view of the collapsible pallet consolidator having full height walls; and,
FIG. 5 shows a bottom plan view of the collapsible pallet consolidator having full height walls.
The broken lines in the figures are to shown portions of the collapsible pallet consolidator which form no part of the claimed design.

1 Claim, 5 Drawing Sheets

(56) **References Cited**
U.S. PATENT DOCUMENTS
3,401,814 A * 9/1968 Chiswell B65D 88/528 220/1.5
3,797,691 A 3/1974 Williams, Jr.
D277,042 S * 1/1985 Carter D3/272
5,123,541 A 6/1992 Giannini
5,597,084 A * 1/1997 Parasin B65D 11/1873 206/600
6,024,233 A 2/2000 Ritter
D466,690 S * 12/2002 Walsh D34/38
D473,052 S * 4/2003 Dehenau D3/273



(56)

References Cited

U.S. PATENT DOCUMENTS

2012/0103848 A1* 5/2012 Allegretti B65D 19/06
206/386
2014/0209600 A1* 7/2014 Schloesser B65D 7/24
220/4.33
2015/0027917 A1* 1/2015 Goddard B65D 19/12
206/386

* cited by examiner

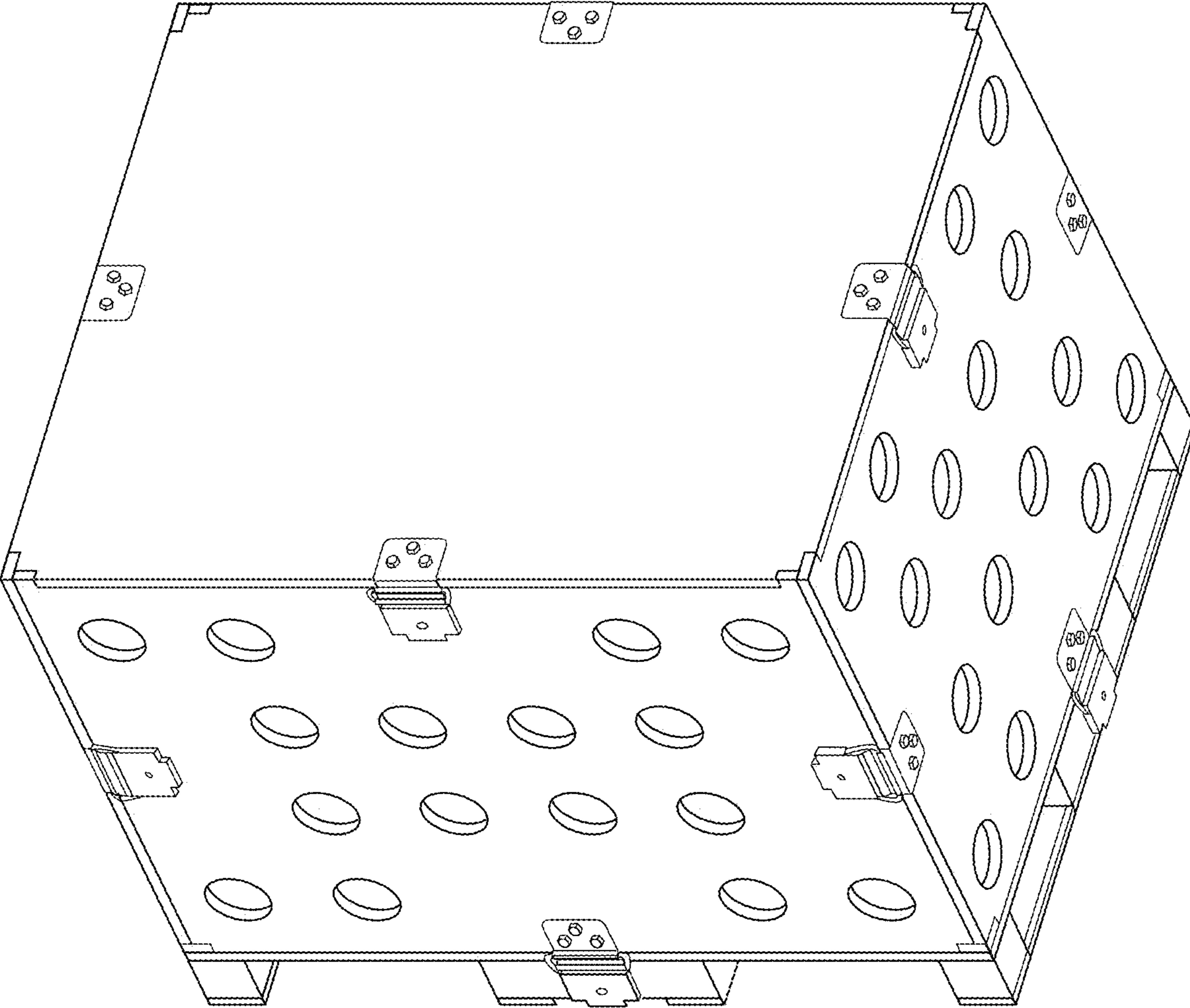


FIG. 1

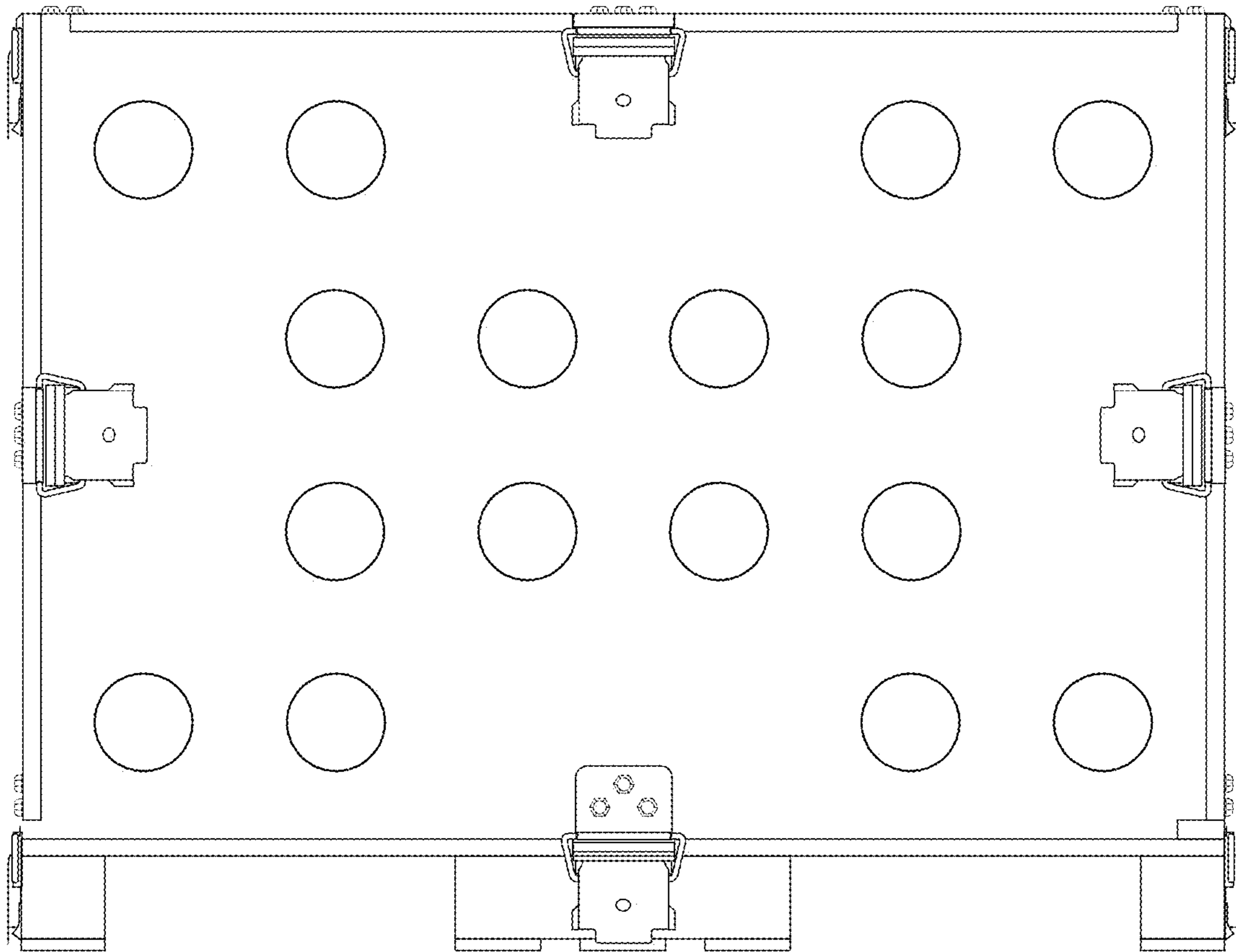


FIG. 2

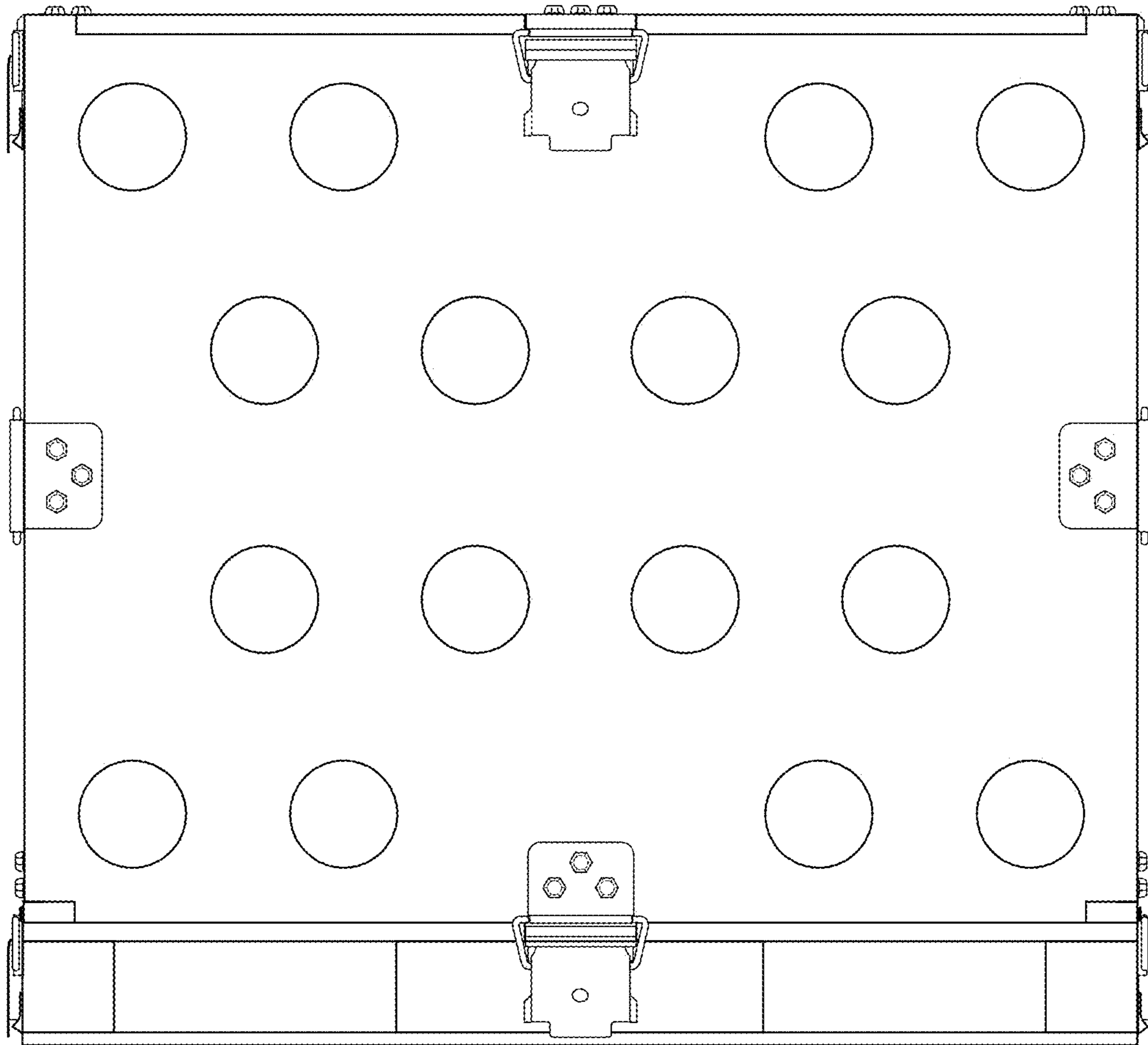


FIG. 3

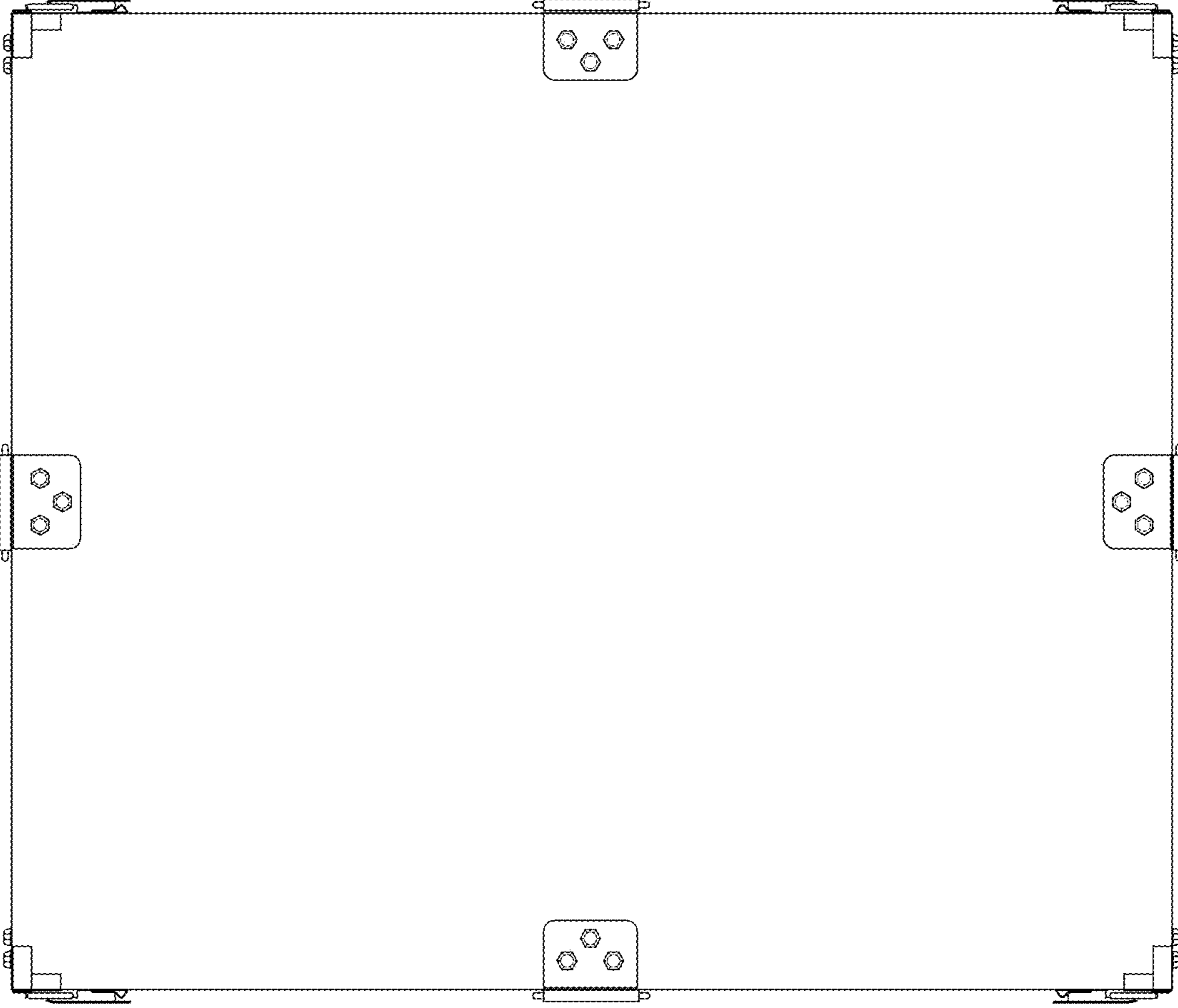


FIG. 4

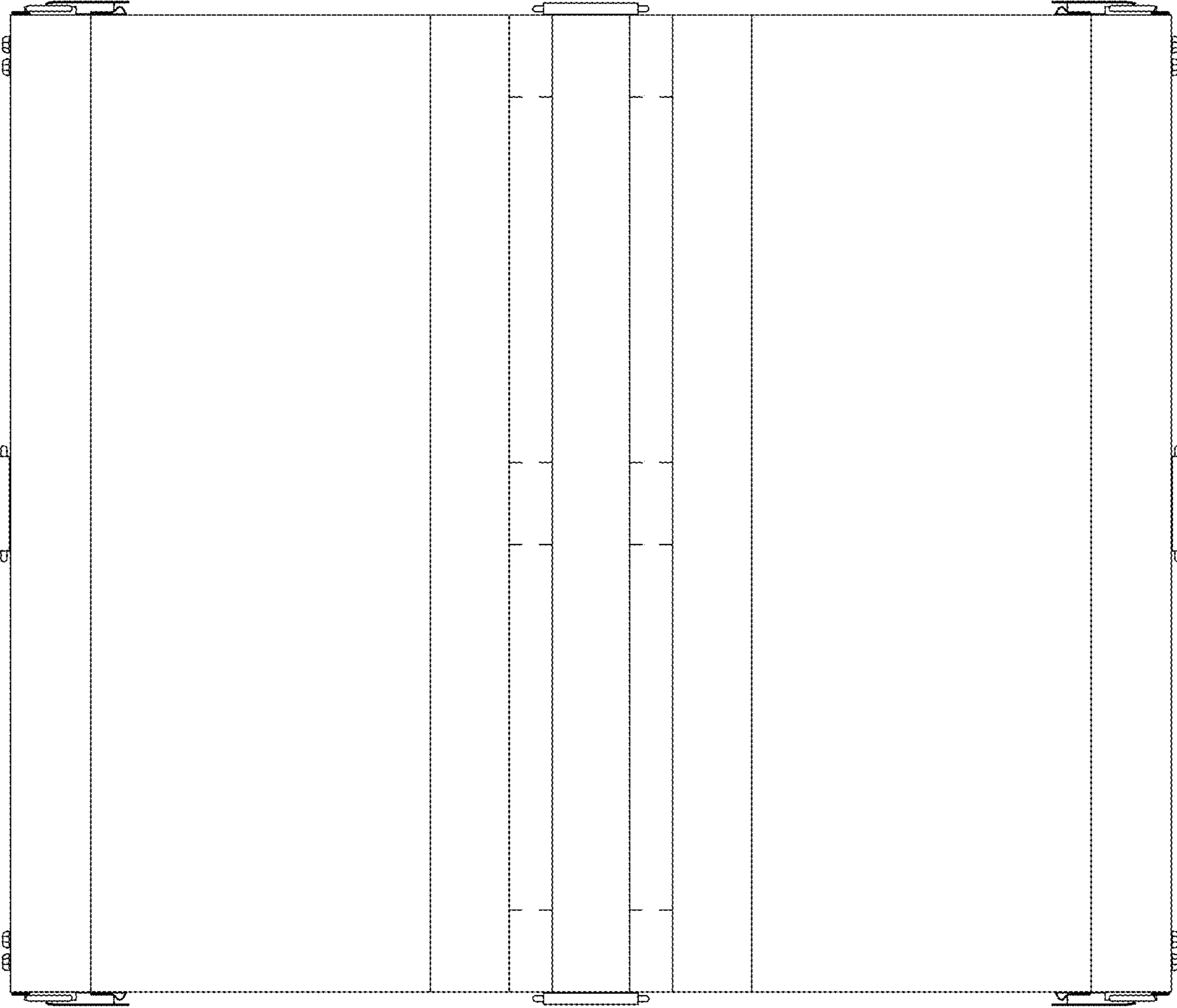


FIG. 5