



US00D873522S

(12) **United States Design Patent**
Jin

(10) **Patent No.:** **US D873,522 S**

(45) **Date of Patent:** **** Jan. 21, 2020**

- (54) **ELECTRIC HYDRAULIC JACK**
- (71) Applicant: **Ningbo FrenzyBird E-Commerce Co., Ltd.**, Ningbo, Zhejiang (CN)
- (72) Inventor: **Conghao Jin**, Zhejiang (CN)
- (73) Assignee: **Jinyun Zhaoshi Tools Co., Ltd.**, Lishui (CN)
- (**) Term: **15 Years**
- (21) Appl. No.: **29/657,517**
- (22) Filed: **Jul. 23, 2018**
- (51) **LOC (12) Cl.** **12-05**
- (52) **U.S. Cl.**
USPC **D34/31**
- (58) **Field of Classification Search**
USPC D34/31
CPC B66F 3/24; B66F 3/42
See application file for complete search history.

- D679,883 S * 4/2013 Bucknor D34/31
- D749,287 S * 2/2016 Thompson, Sr. B66F 3/42
D34/31
- D756,055 S 5/2016 Michas
- D756,588 S * 5/2016 Angel D34/31
- 2014/0166954 A1* 6/2014 Bogert B66F 3/24
254/93 R

* cited by examiner

Primary Examiner — Cynthia Ramirez

(74) *Attorney, Agent, or Firm* — IPro, PLLC

(57) **CLAIM**

The ornamental design for an electric hydraulic jack, as shown and described.

DESCRIPTION

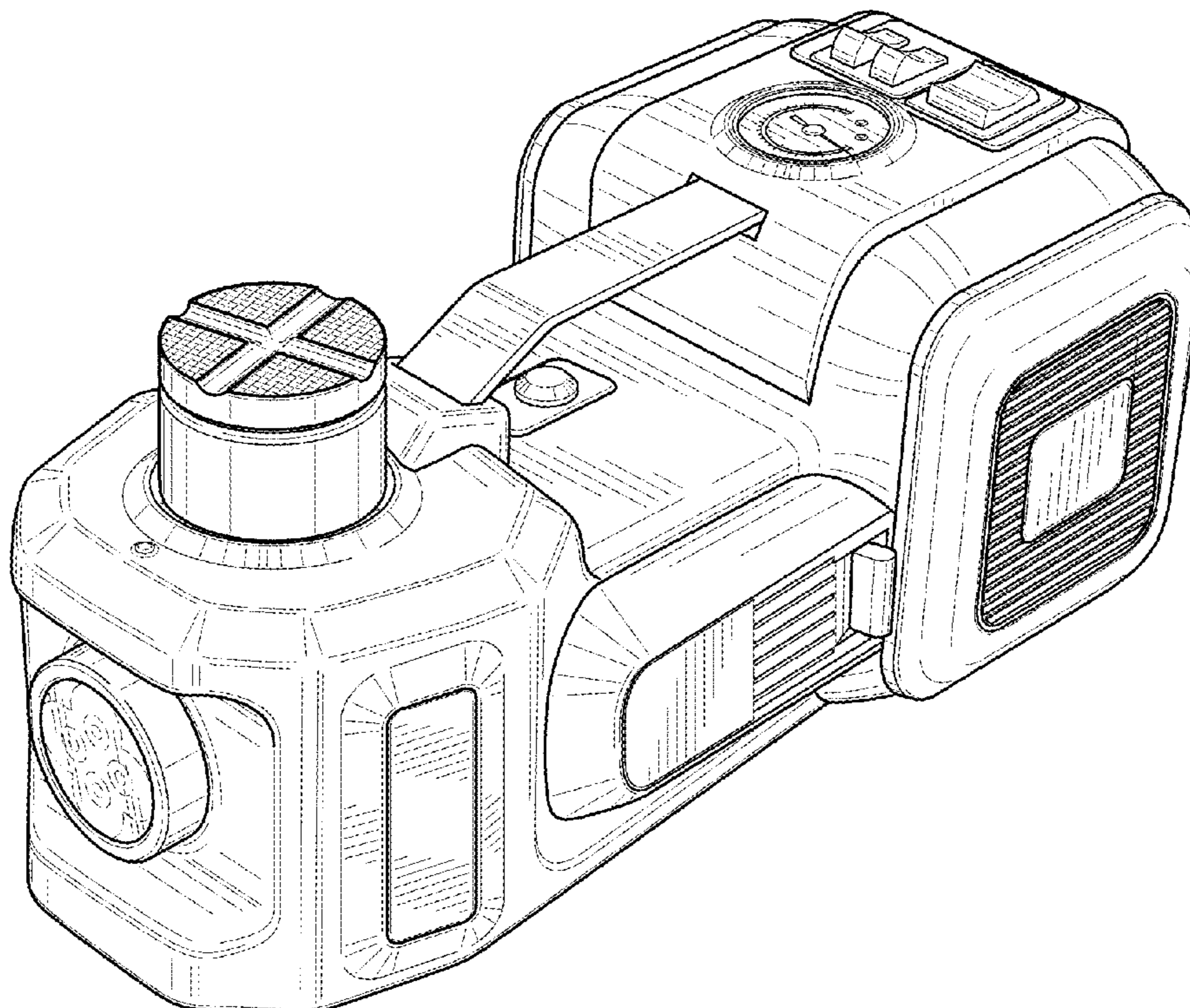
FIG. 1 is an upper perspective view of the electric hydraulic jack showing my design.
 FIG. 2 is a top plan view thereof;
 FIG. 3 is a bottom plan view thereof;
 FIG. 4 is a front elevation view thereof;
 FIG. 5 is a back elevation view thereof;
 FIG. 6 is a side elevation view thereof;
 FIG. 7 is an opposite side elevation view thereof;
 FIG. 8 is another upper perspective view, showing an extended configuration of the piston; and,
 FIG. 9 is a side perspective view, showing an opened configuration for the front compartment.
 The broken lines in the figures are to show environment and form no part of the claimed design.

1 Claim, 5 Drawing Sheets

(56) **References Cited**

U.S. PATENT DOCUMENTS

- 3,370,421 A * 2/1968 Piper B66F 3/42
60/472
- D313,492 S * 1/1991 Hung D34/31
- D327,764 S 7/1992 Davis
- 5,346,338 A * 9/1994 Wang B66F 3/24
408/1 R
- D424,776 S * 5/2000 Wong D34/31
- D634,914 S * 3/2011 Marroquin D34/31
- D653,834 S 2/2012 Ahrenholtz et al.



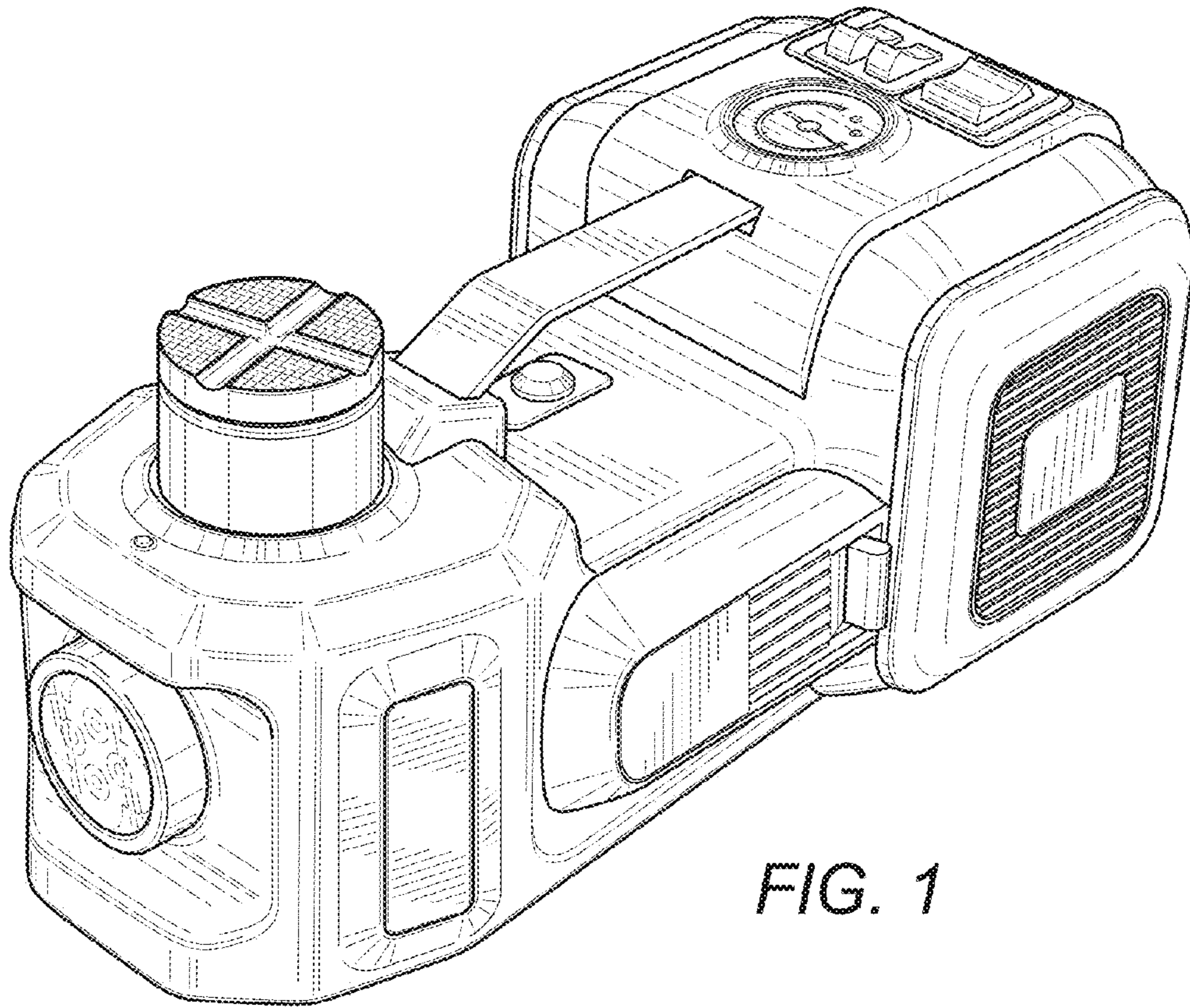


FIG. 1

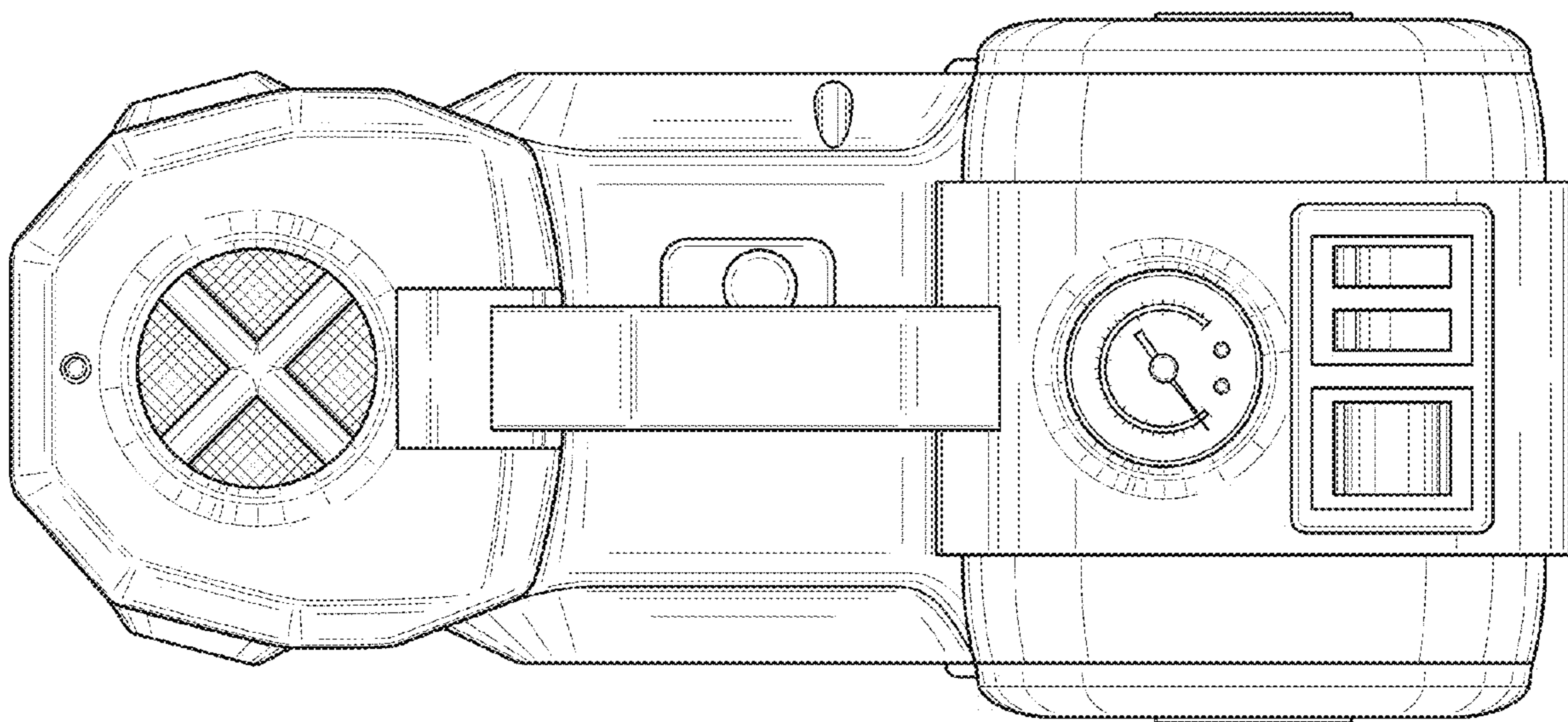


FIG. 2

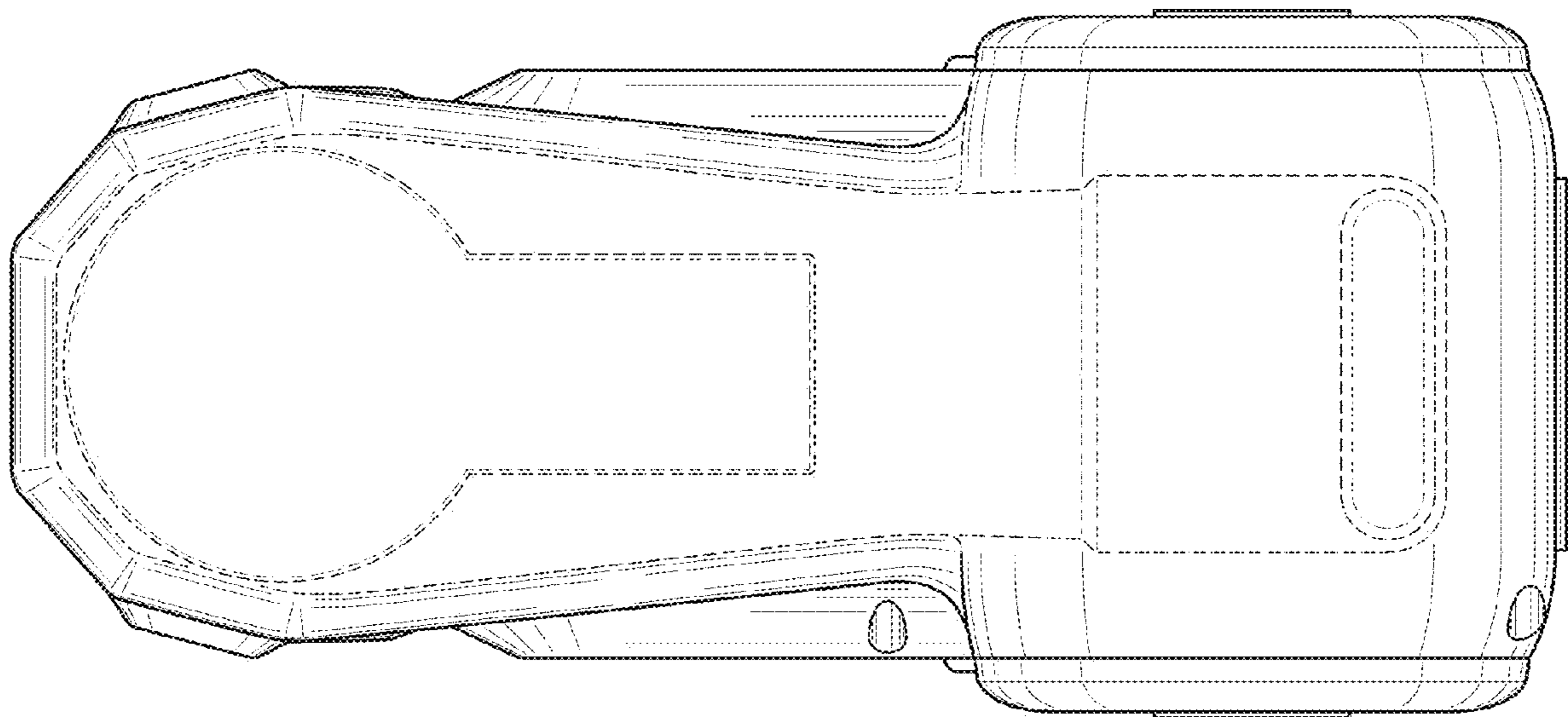


FIG. 3

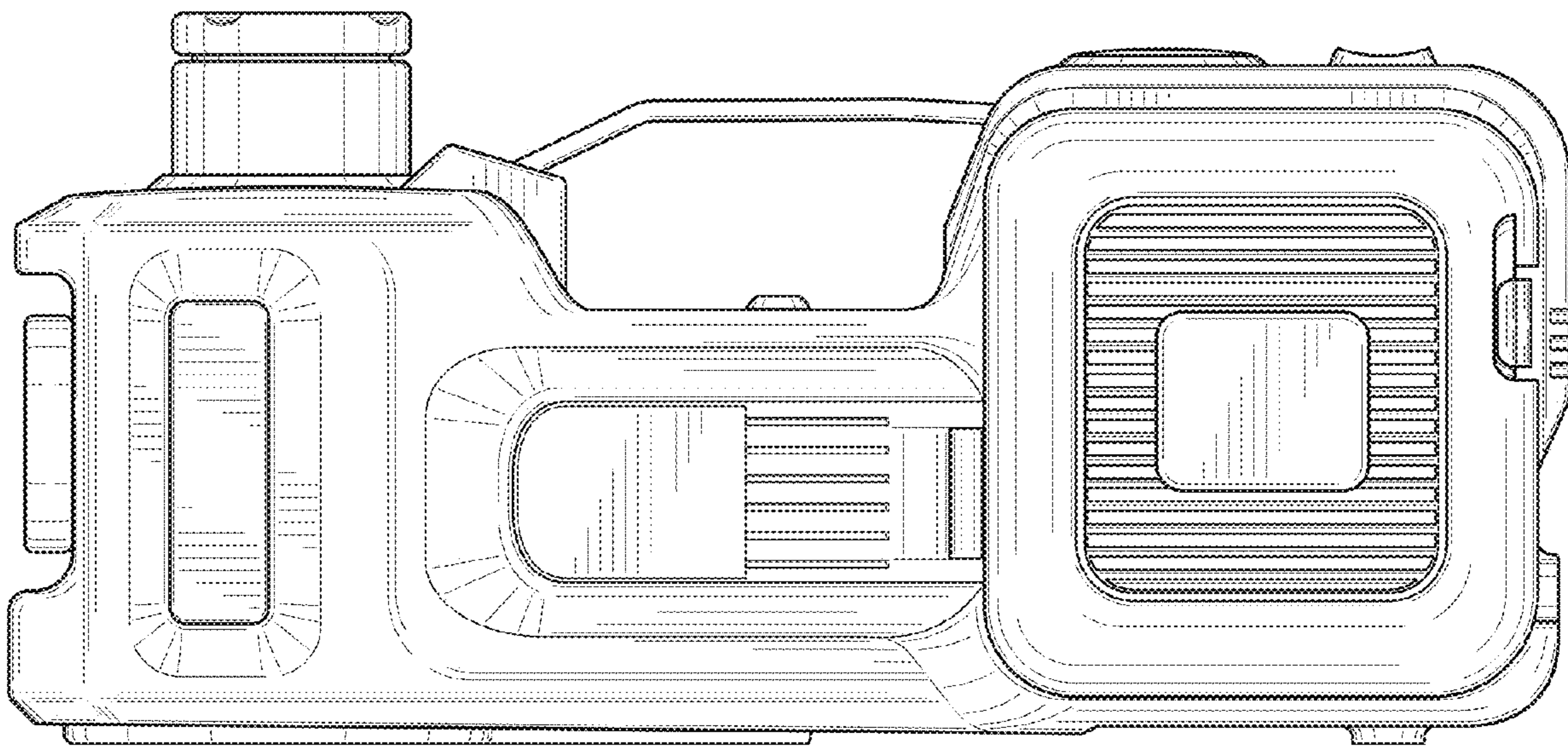


FIG. 4

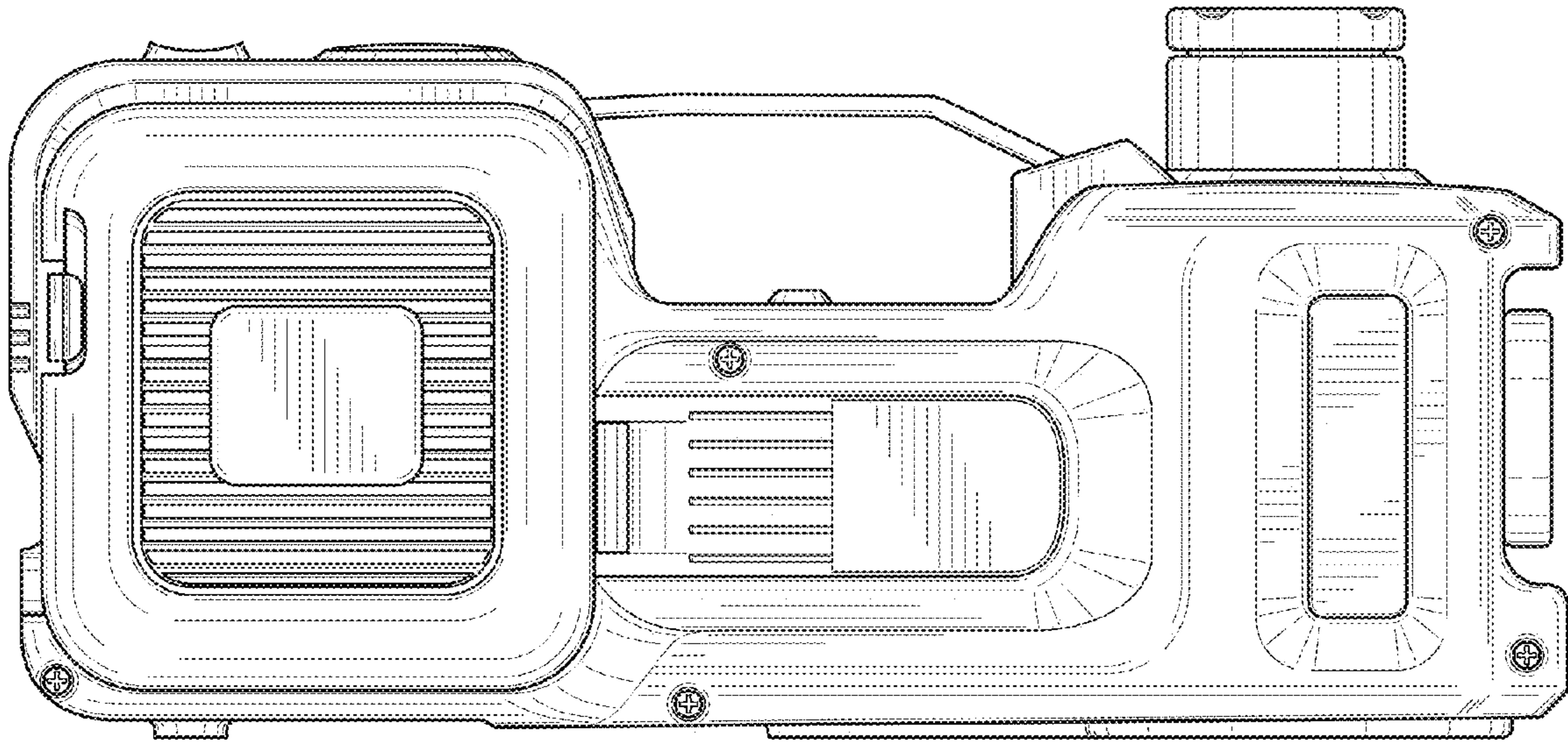


FIG. 5

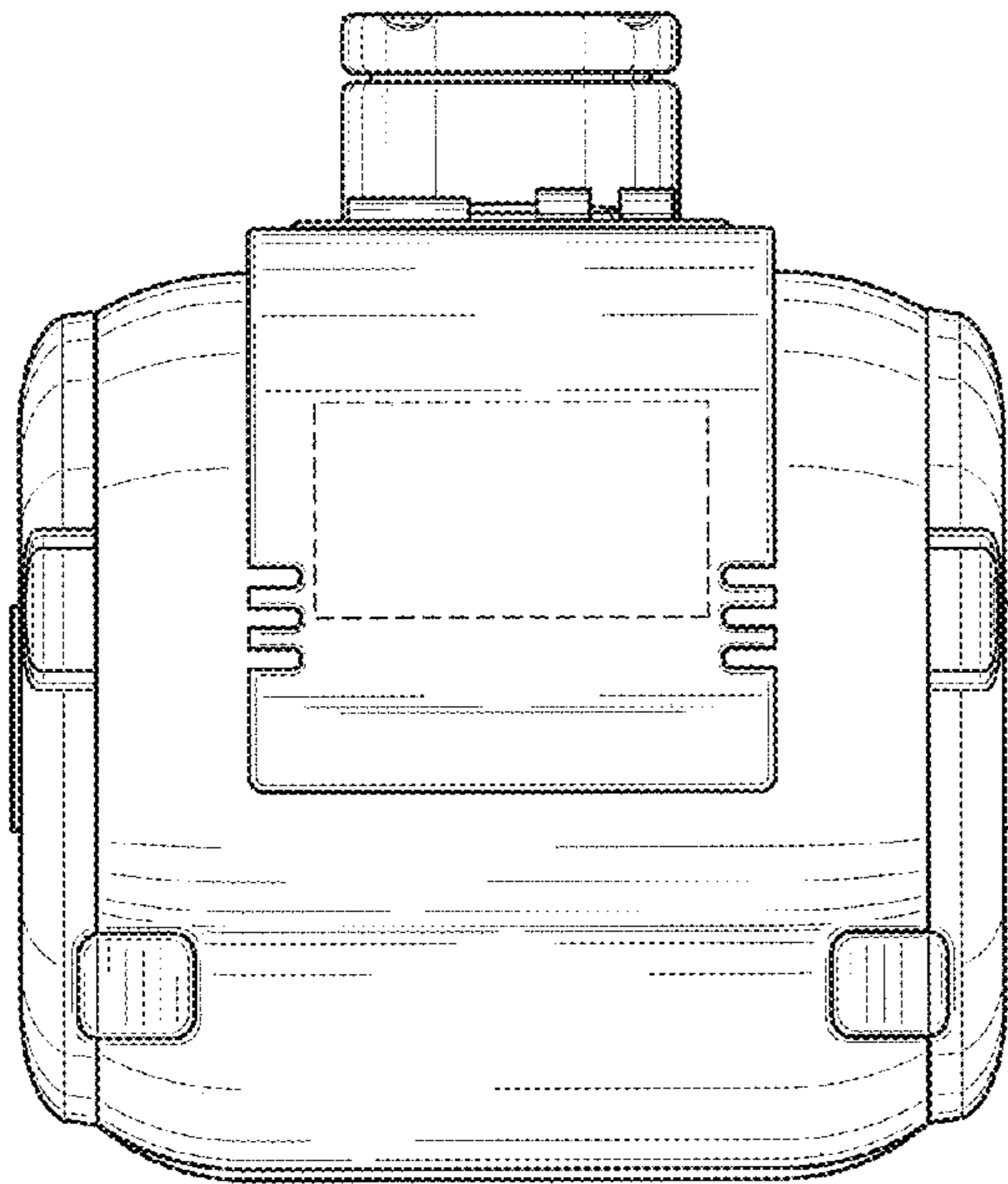


FIG. 6

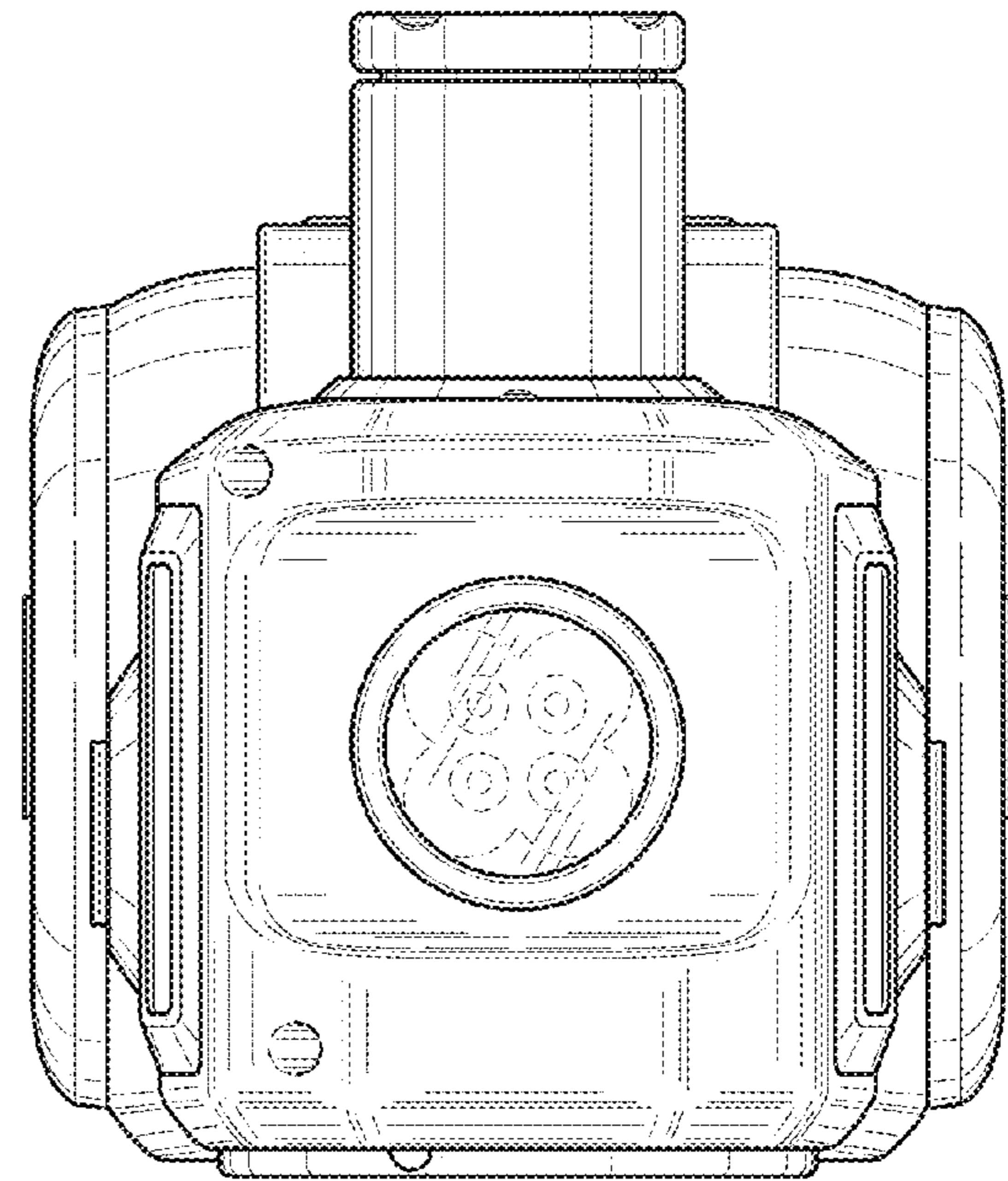


FIG. 7

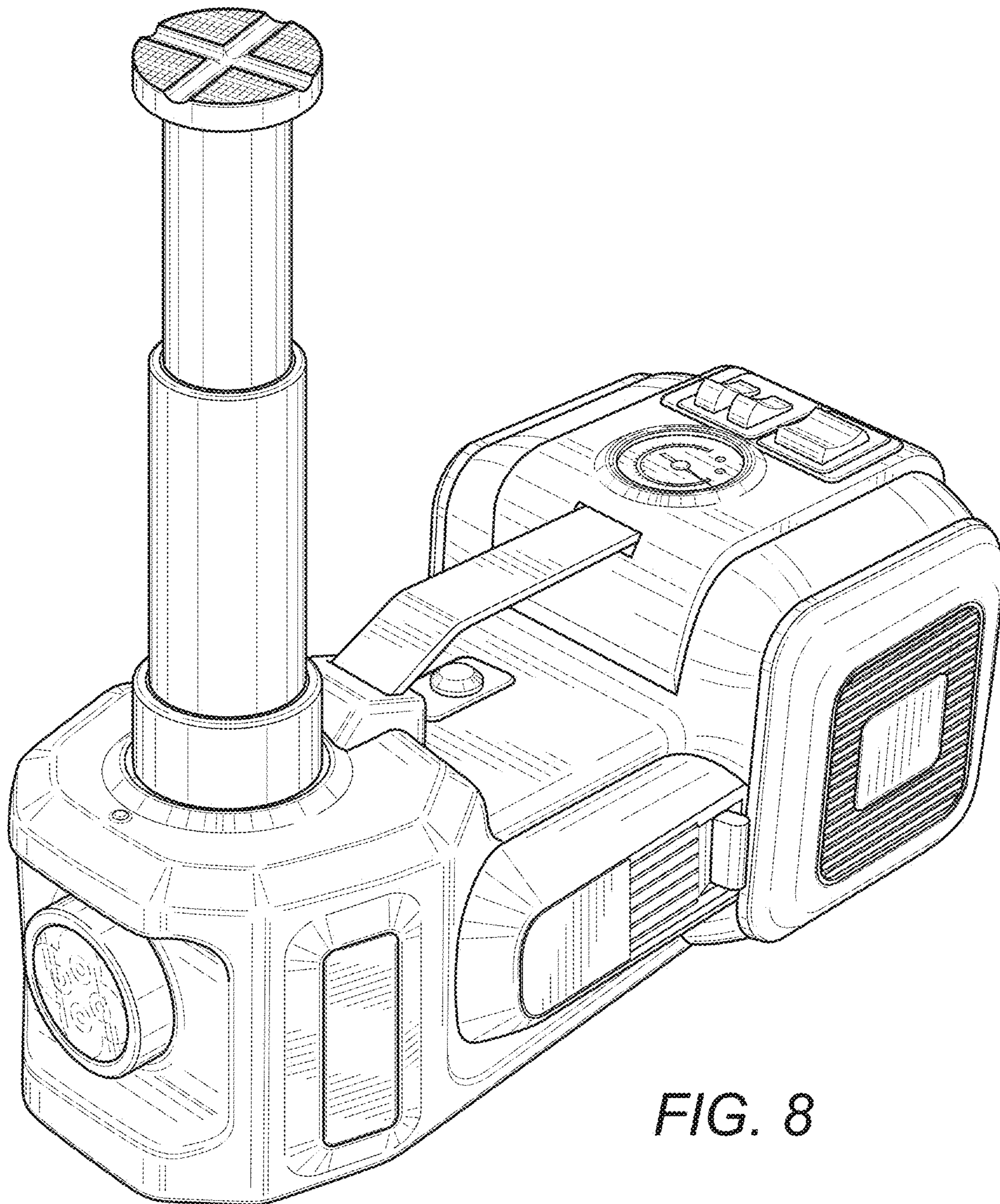


FIG. 8

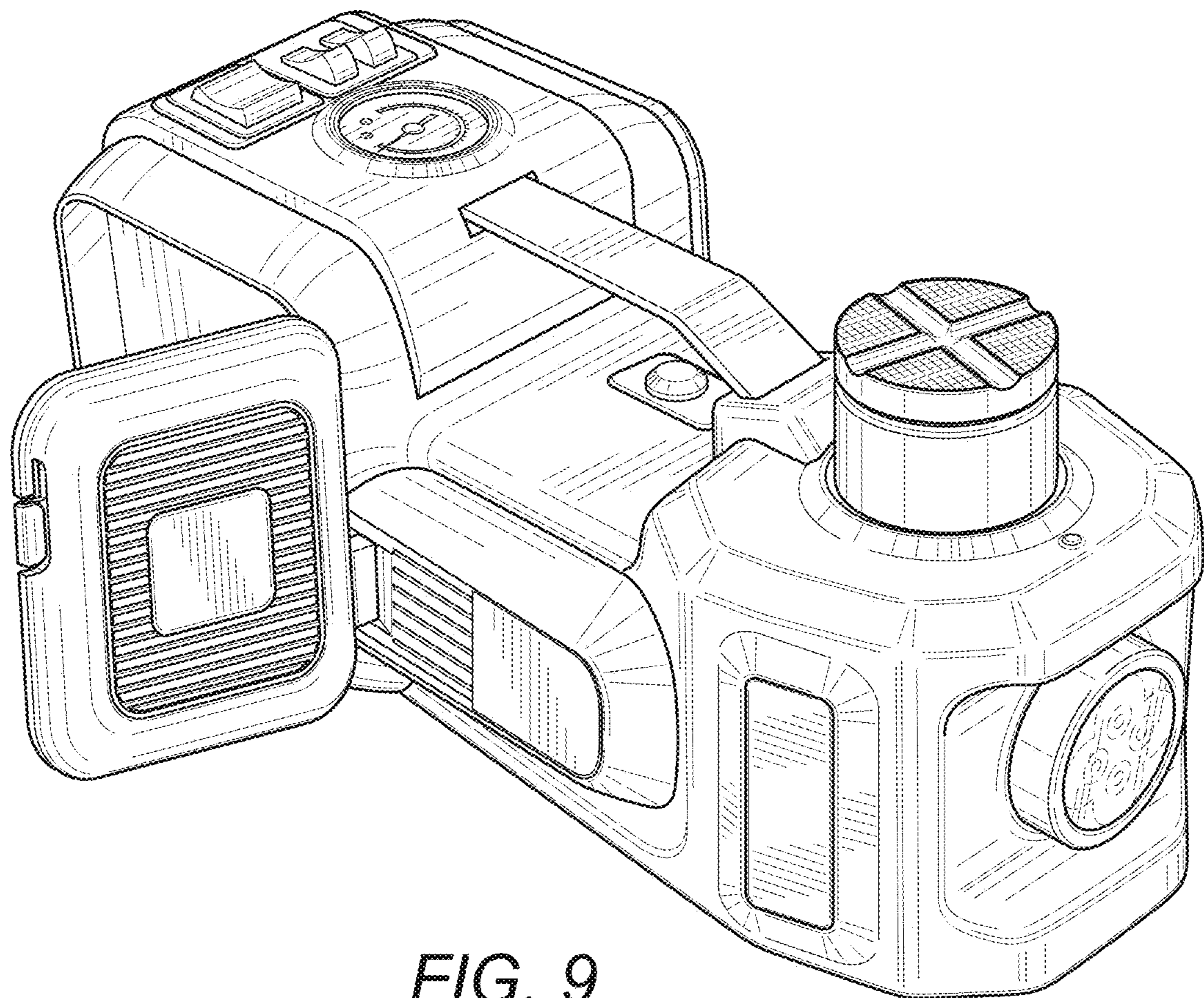


FIG. 9