



US00D873519S

(12) **United States Design Patent** (10) **Patent No.:** **US D873,519 S**
Chouikh et al. (45) **Date of Patent:** **** Jan. 21, 2020**

(54) **BRACKET FOR A TOOL**
(71) Applicant: **GARANT GP**, Saint-François (CA)
(72) Inventors: **Leila Chouikh**, Montréal (CA); **David Boies**, Lévis (CA); **Mathieu Berrouard**, Lévis (CA)
(73) Assignee: **GARANT GP** (CA)

(**) Term: **15 Years**

(21) Appl. No.: **29/649,543**

(22) Filed: **May 31, 2018**

(51) **LOC (12) Cl.** **07-05**

(52) **U.S. Cl.**
USPC **D32/50**

(58) **Field of Classification Search**
USPC D32/40-43, 45-46, 50-52; D4/118, 199;
D24/217, 231; D8/11, 9; D20/17, 22,
D20/28, 41, 99
CPC . B08B 1/00; A61B 90/70; A47L 13/17; A47L
13/16; A47L 5/22; A47L 5/24; B25G
3/24; B25G 3/12; B25G 3/00
See application file for complete search history.

(56) **References Cited**

U.S. PATENT DOCUMENTS

- 1,872,534 A * 8/1932 Fredd B25G 3/12
403/347
- 2,163,638 A * 6/1939 Vaughn A47L 13/58
15/119.2
- 3,218,661 A * 11/1965 Fielder, Jr. B25G 3/24
15/145
- 4,763,378 A * 8/1988 Drumm A46B 3/08
15/146
- D307,517 S * 5/1990 Mallory D32/41
- D307,981 S * 5/1990 Saunders D32/42
- 5,502,862 A * 4/1996 Vosbikian A46B 5/0095
15/145
- D375,409 S * 11/1996 Uranga D32/51
- D380,303 S * 7/1997 Wolfenden D32/50

- D386,907 S * 12/1997 Rittenbaum D32/50
 - D497,229 S * 10/2004 Berti D32/50
 - D511,046 S * 11/2005 Berti D32/50
 - D520,698 S * 5/2006 Libman D32/50
 - D566,916 S * 4/2008 Nobile D32/40
 - D568,616 S * 5/2008 Berti D4/132
 - D585,615 S * 1/2009 Enyuva D32/50
 - 7,730,571 B2 * 6/2010 Libman A46B 7/04
15/145
 - D625,480 S * 10/2010 Raven D32/50
- (Continued)

FOREIGN PATENT DOCUMENTS

- CN 300856961 * 12/2008
- EM 002297093-0003 * 8/2013

OTHER PUBLICATIONS

Garant Push Broom bracket, website 2019, site visited Feb. 19, 2019, <https://www.garant.com/push-brooms/>.*

Primary Examiner — Eric L Goodman
Assistant Examiner — John R Yeh
(74) *Attorney, Agent, or Firm* — Lavery, De Billy, LLP;
Gwendoline Bruneau

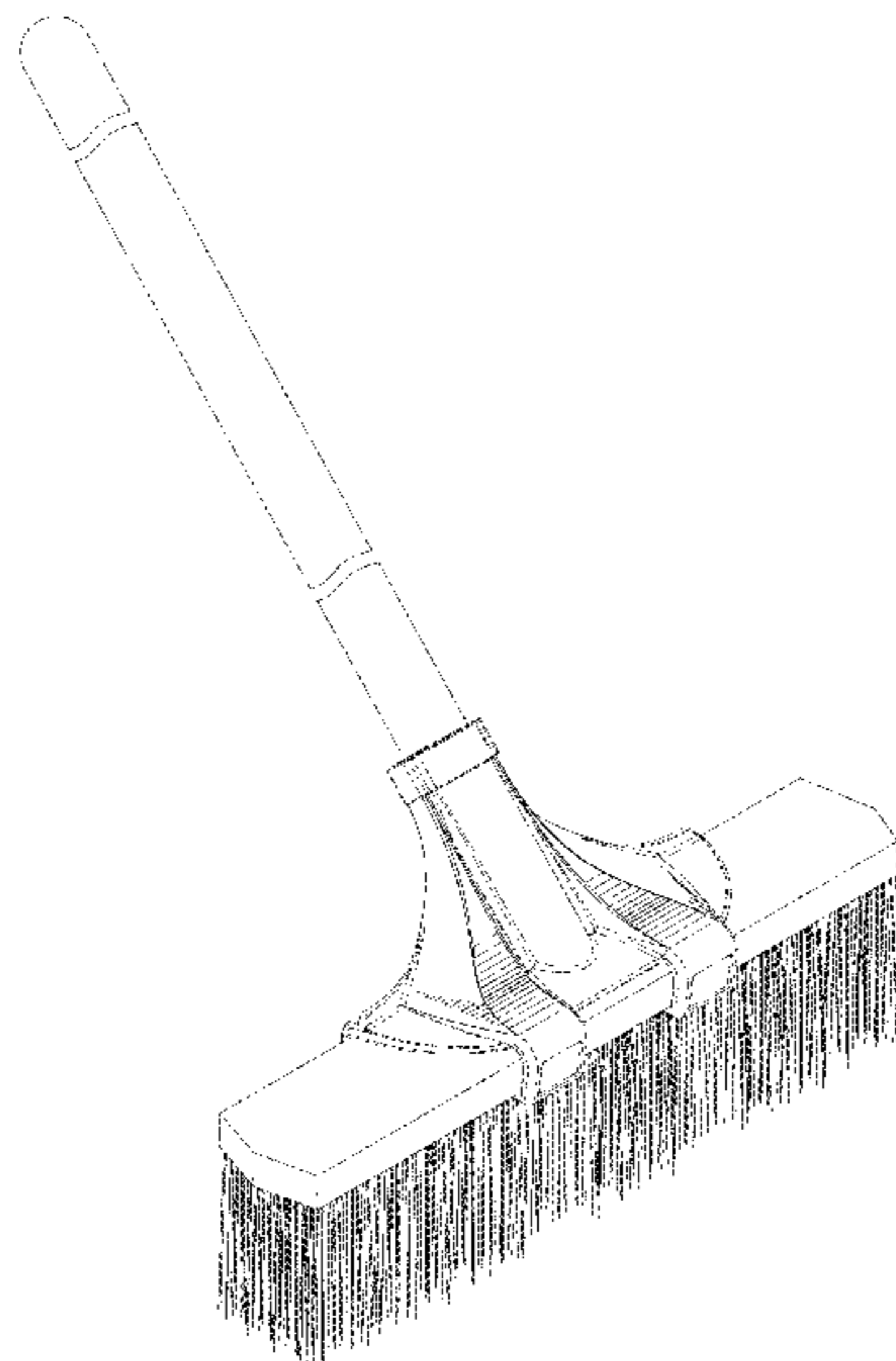
(57) **CLAIM**

The ornamental design for a bracket for a tool, as shown and described.

DESCRIPTION

FIG. 1 is perspective view of the new design, with an environment shown in broken lines that forms no part of the claimed design;
FIG. 2 is a front view thereof;
FIG. 3 is a first side view thereof;
FIG. 4 is a second side view thereof; and,
FIG. 5 is a top view thereof.
The broken lines shown in FIGS. 1-5 illustrate portions that form no part of the claimed design.

1 Claim, 5 Drawing Sheets



(56)

References Cited

U.S. PATENT DOCUMENTS

D661,040	S	*	5/2012	Pellacini	D32/50
D666,836	S	*	9/2012	Dobson, III	D4/132
D693,078	S	*	11/2013	Nordvik	D32/50
D693,079	S	*	11/2013	Nordvik	D32/50
D694,973	S	*	12/2013	Libman	D32/40
D782,203	S	*	3/2017	Fortier	D4/199
D796,139	S	*	8/2017	Fortier	D32/50
D801,791	S	*	11/2017	DePietro	D8/376
10,028,575	B1	*	7/2018	Schaffler	A46B 13/08
D826,500	S	*	8/2018	Larouche	D32/50
D832,542	S	*	10/2018	Larouche	D32/50
2002/0124341	A1	*	9/2002	Cesak	A46B 7/04
						15/175

* cited by examiner

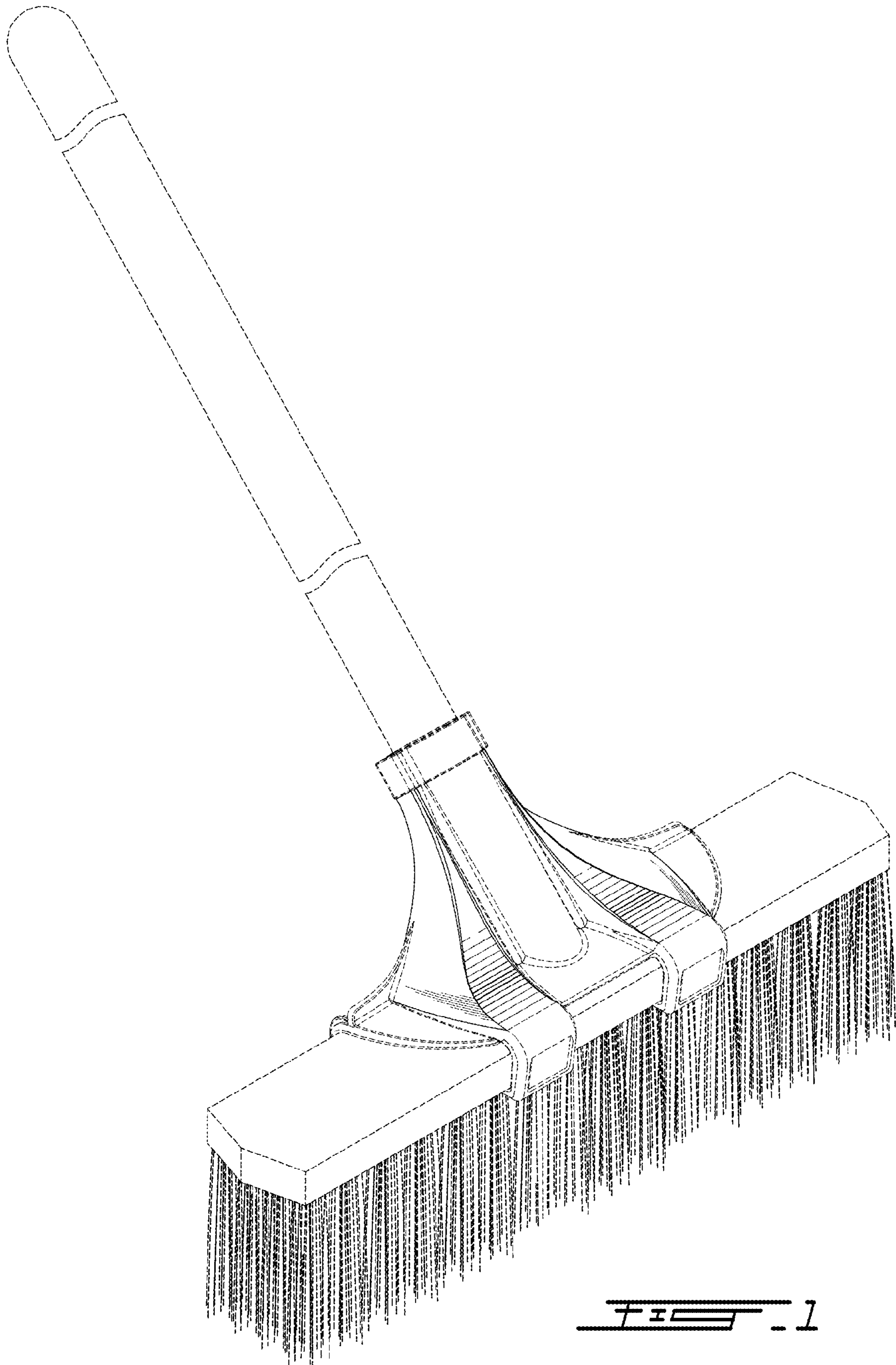


FIG. 1

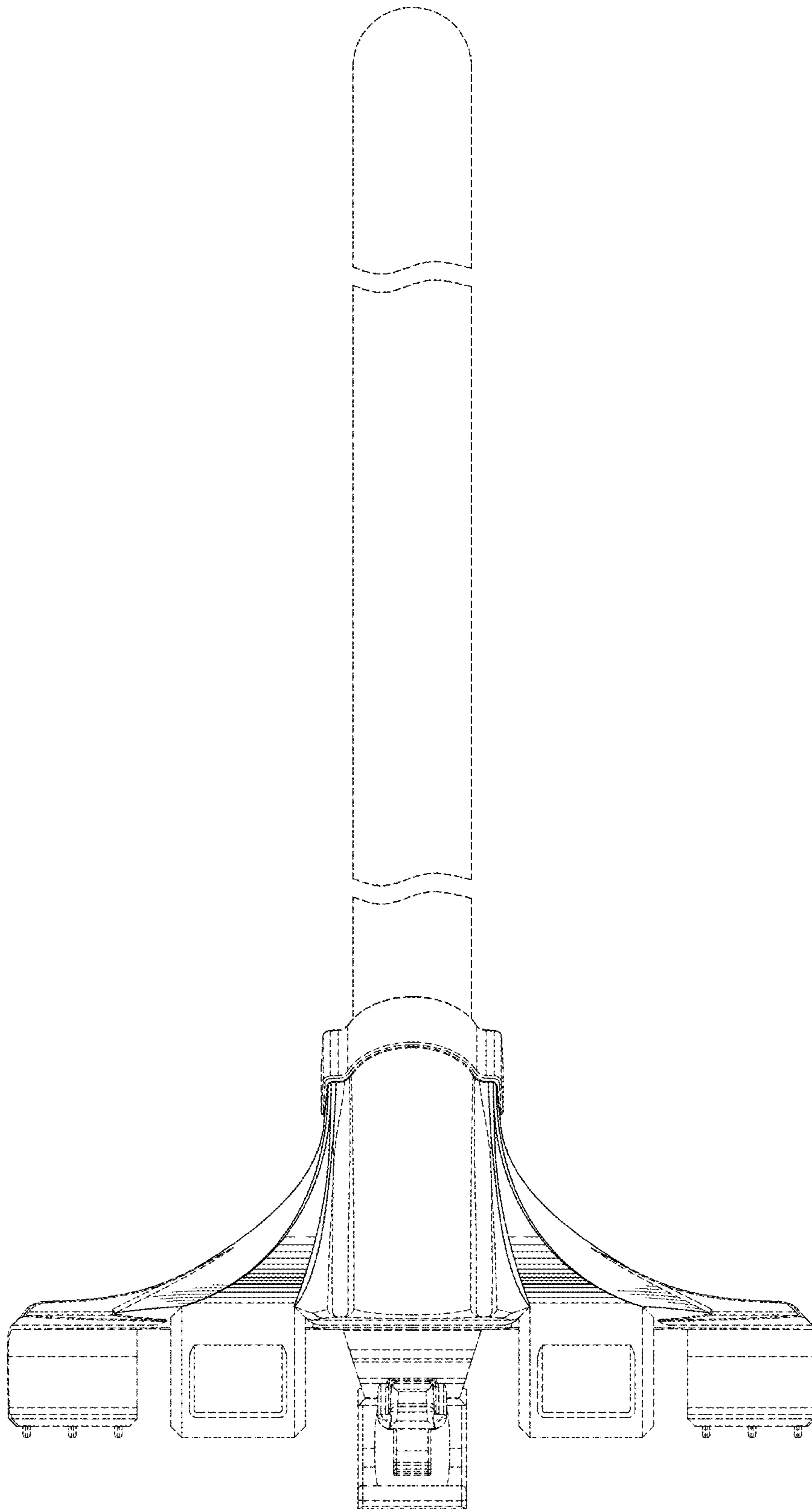


FIG. 2

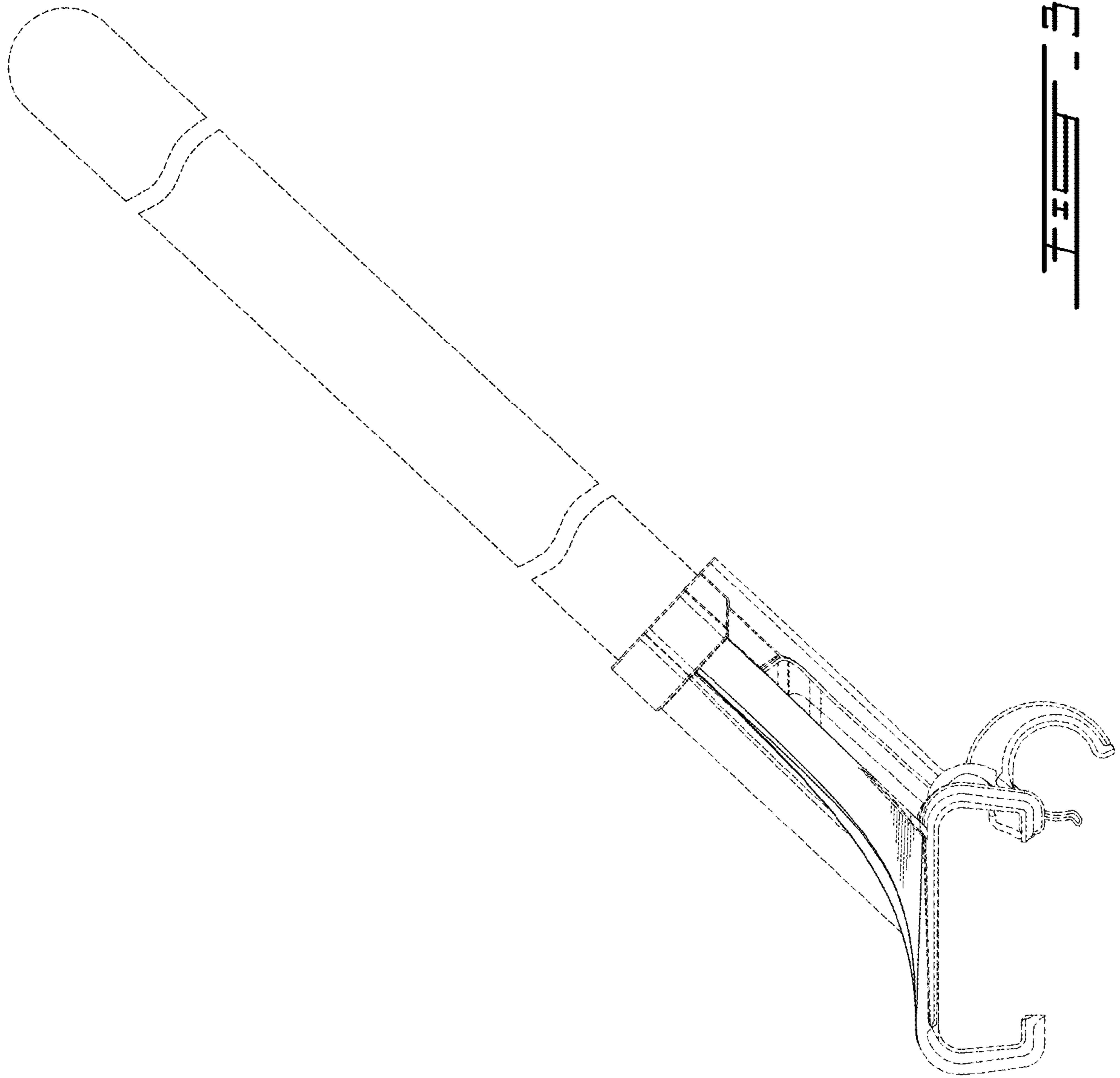


FIG. 3

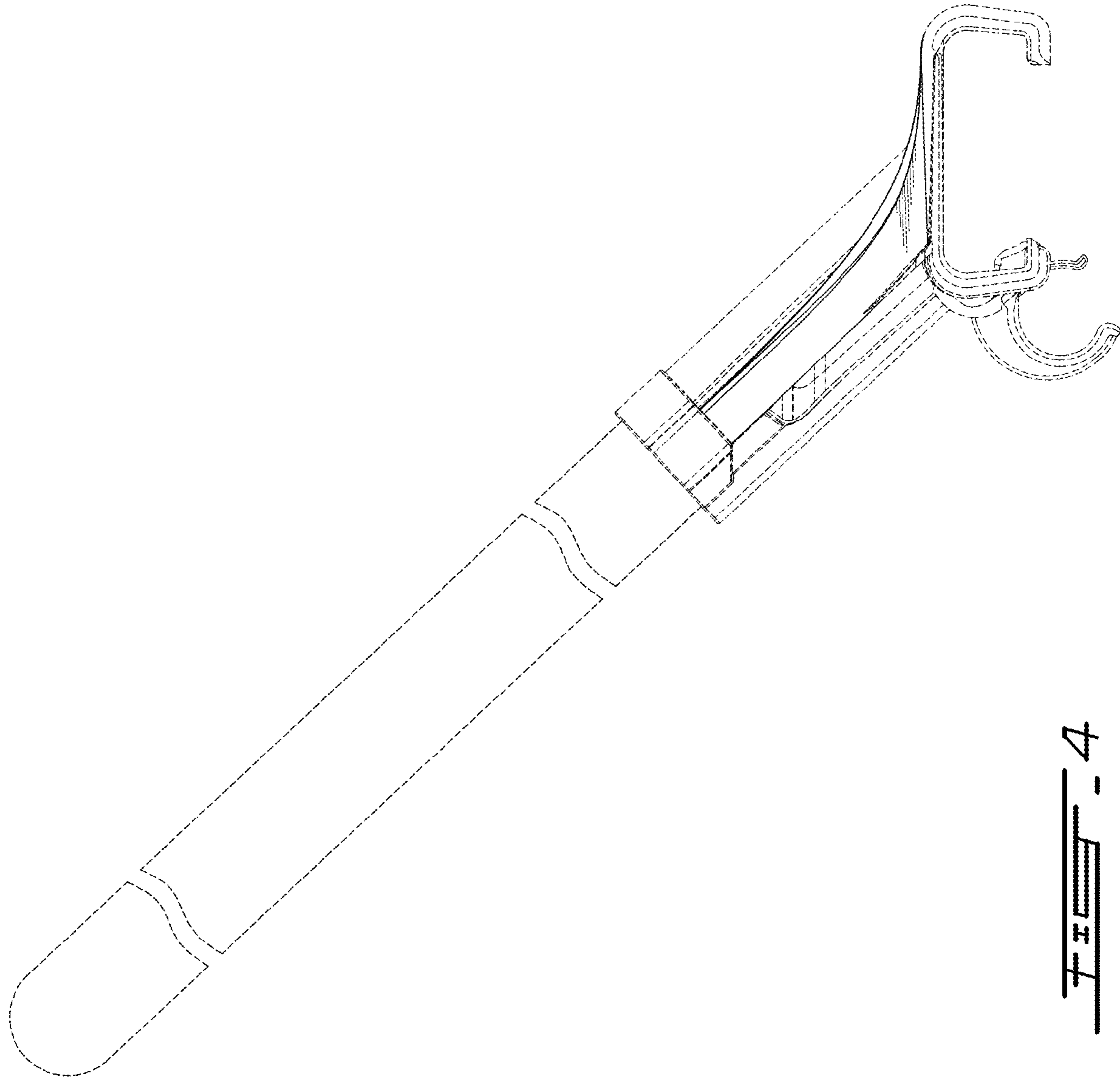


FIG. 4

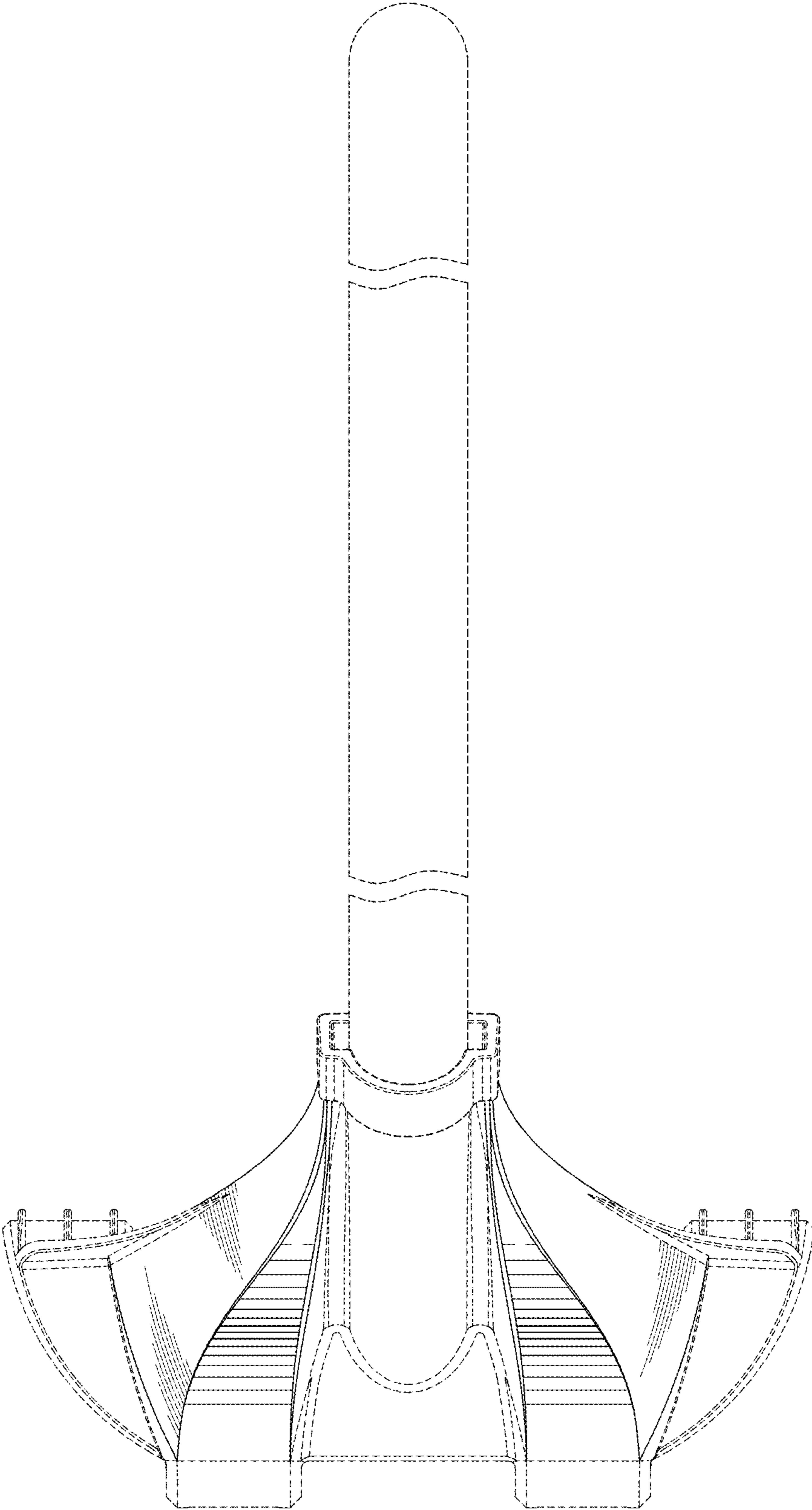


FIG. 5