



US00D873515S

(12) **United States Design Patent**
Bixby et al.

(10) **Patent No.:** **US D873,515 S**
(45) **Date of Patent:** **** Jan. 21, 2020**

(54) **TOPLOAD WASHING APPLIANCE**

D492,073 S 6/2004 Sneddon
D527,150 S 8/2006 Jun
D527,853 S 9/2006 Carey et al.
D532,941 S 11/2006 Carey et al.
D538,488 S 3/2007 Carey et al.
D542,487 S 5/2007 Jun
D556,394 S 11/2007 Kim

(71) Applicant: **WHIRLPOOL CORPORATION**,
Benton Harbor, MI (US)

(72) Inventors: **Seth E. Bixby**, Stevensville, MI (US);
Richard K. Gresens, St. Joseph, MI
(US); **John W. McConnell**, St. Joseph,
MI (US); **Patrick J. Schiavone**, Benton
Harbor, MI (US); **Samuel B.**
Breneman, St. Joseph, MI (US)

(Continued)

Primary Examiner — Michelle E. Wilson

(74) *Attorney, Agent, or Firm* — Price Heneveld LLP

(73) Assignee: **Whirlpool Corporation**, Benton
Harbor, MI (US)

(57) **CLAIM**

We claim the ornamental design for a topload washing
appliance, as shown.

(**) Term: **15 Years**

DESCRIPTION

(21) Appl. No.: **29/613,288**

(22) Filed: **Aug. 9, 2017**

Related U.S. Application Data

(62) Division of application No. 29/499,792, filed on Aug.
19, 2014, now Pat. No. Des. 797,387.

(51) **LOC (12) Cl.** **15-05**

(52) **U.S. Cl.**
USPC **D32/25**

(58) **Field of Classification Search**
USPC D32/1, 5-6, 8, 25, 28, 29
CPC D06F 33/02; D06F 2204/065; D06F 25/00;
D06F 35/006; D06F 37/28; D06F 39/14;
D06F 58/203

See application file for complete search history.

FIG. 1 is a first top perspective view of the topload washing
appliance of the present invention;
FIG. 2 is a second top perspective view of the topload
washing appliance of the present invention;
FIG. 3 is a top plan view of the topload washing appliance
of the present invention;
FIG. 4 is a bottom plan view of the topload washing
appliance of the present invention;
FIG. 5 is a first side elevation view of the topload washing
appliance of the present invention;
FIG. 6 is a second side elevation view of the topload
washing appliance of the present invention;
FIG. 7 is a third side elevation view of the topload washing
appliance of the present invention;
FIG. 8 is a fourth side elevation view of the topload washing
appliance of the present invention; and,
FIG. 9 is another first side elevation view of the topload
washing appliance of the present invention with the door in
an open position to view the underside of the topload
washing appliance door.

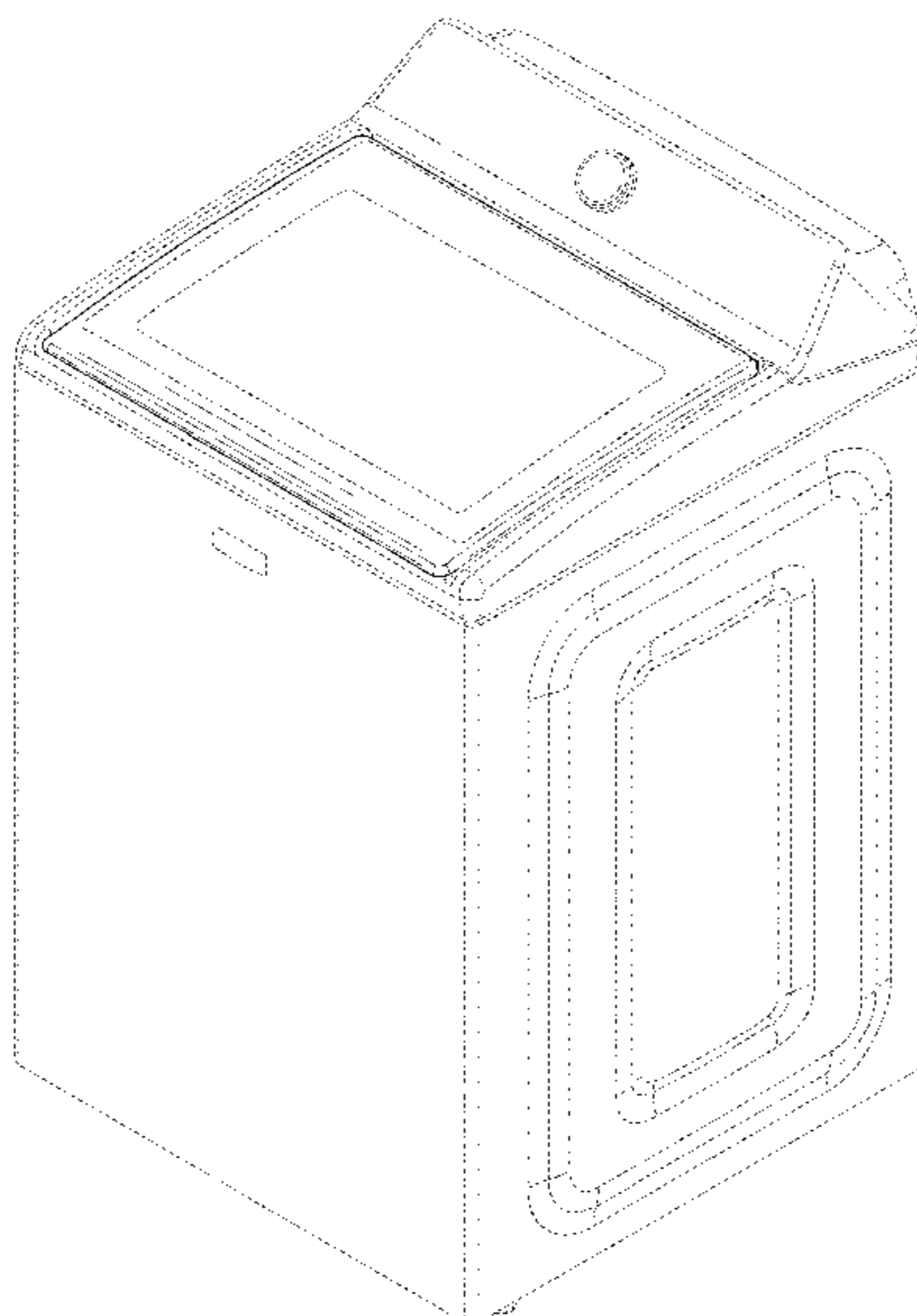
The broken lines in the figures are for contextual purposes
or show the environment and form no part of the claimed
design.

(56) **References Cited**

U.S. PATENT DOCUMENTS

4,307,588 A 12/1981 Smith et al.
4,429,817 A 2/1984 Ikeda
D359,602 S 6/1995 Swartz et al.
D360,500 S 7/1995 Millet et al.
6,618,887 B2 9/2003 Kim et al.

1 Claim, 9 Drawing Sheets



(56)

References Cited

U.S. PATENT DOCUMENTS

D575,012 S	8/2008	Rossetto et al.	
D630,807 S	1/2011	Song et al.	
D632,033 S	2/2011	Song et al.	
D633,261 S	2/2011	Song et al.	
D654,640 S	2/2012	Song et al.	
D679,462 S	4/2013	Zhang et al.	
D694,965 S	12/2013	Lee et al.	
D699,907 S	2/2014	Choi et al.	
D701,656 S	3/2014	Choi et al.	
D729,998 S	5/2015	Jeon et al.	
D739,096 S	9/2015	Qin et al.	
D759,325 S *	6/2016	Jeon	D32/6
D760,454 S *	6/2016	Joo	D32/6
D760,967 S	7/2016	Joo et al.	
D761,502 S	7/2016	Joo et al.	
D761,503 S	7/2016	Choi et al.	
D762,021 S *	7/2016	Qin	D32/6
D762,025 S *	7/2016	Joo	D32/6
D764,120 S *	8/2016	Choi	D32/6
D764,121 S	8/2016	Choi et al.	
D764,123 S *	8/2016	Kim	D32/6
D772,505 S	11/2016	Bixby et al.	
D772,506 S	11/2016	Bixby et al.	
D774,713 S *	12/2016	Bixby	D32/6
D775,438 S *	12/2016	Kang	D32/6
D783,212 S *	4/2017	Jeon	D32/6
D797,387 S *	9/2017	Bixby	D32/6
D798,511 S *	9/2017	Bixby	D32/6
D818,219 S *	5/2018	Bixby	D32/6
D824,607 S *	7/2018	Bixby	D32/6
D824,608 S *	7/2018	Bixby	D32/6
D837,349 S *	1/2019	Chung	D23/286
D847,444 S *	4/2019	Ayers	D32/6
D855,265 S *	7/2019	Chung	D32/6

* cited by examiner

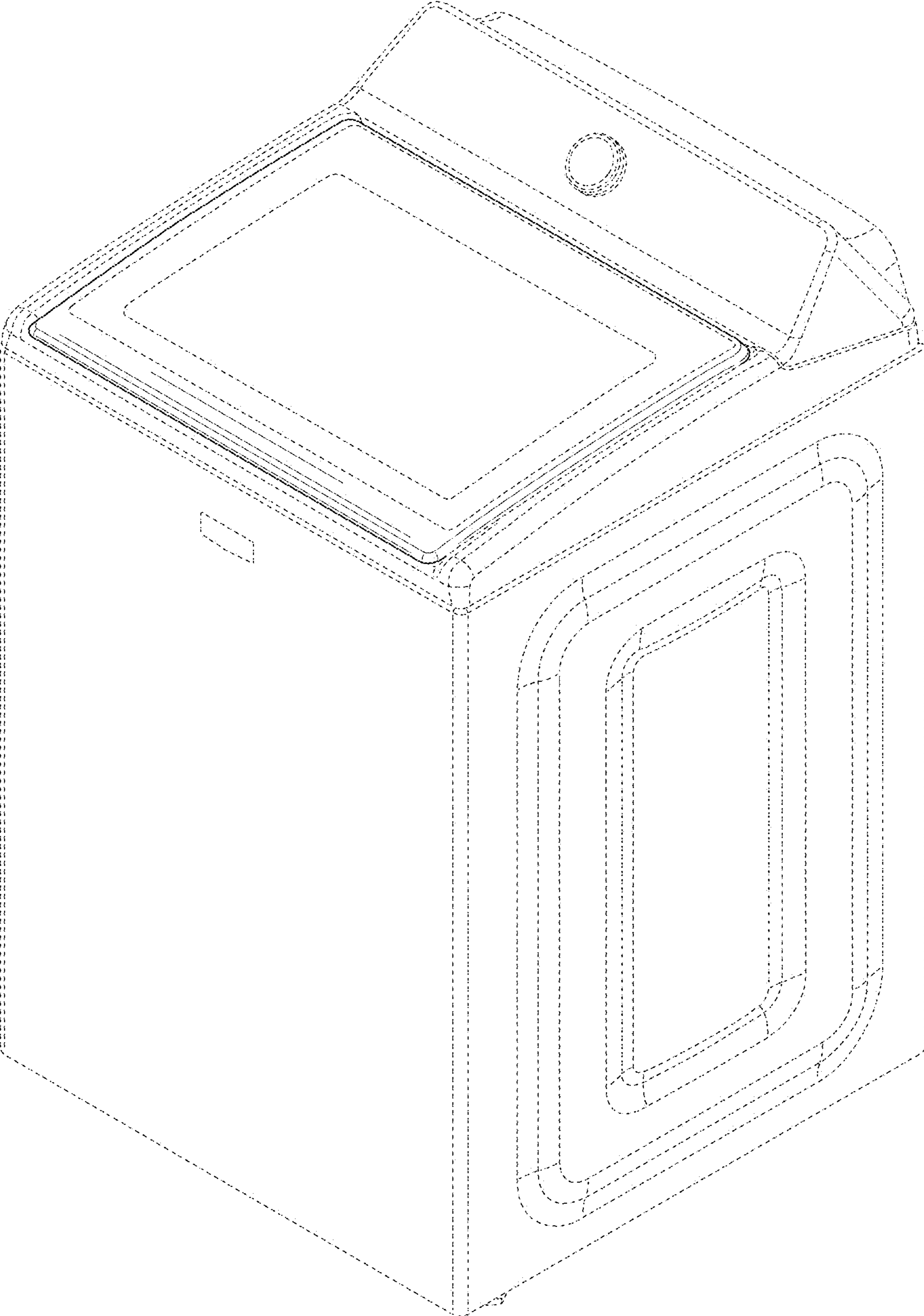


FIG. 1

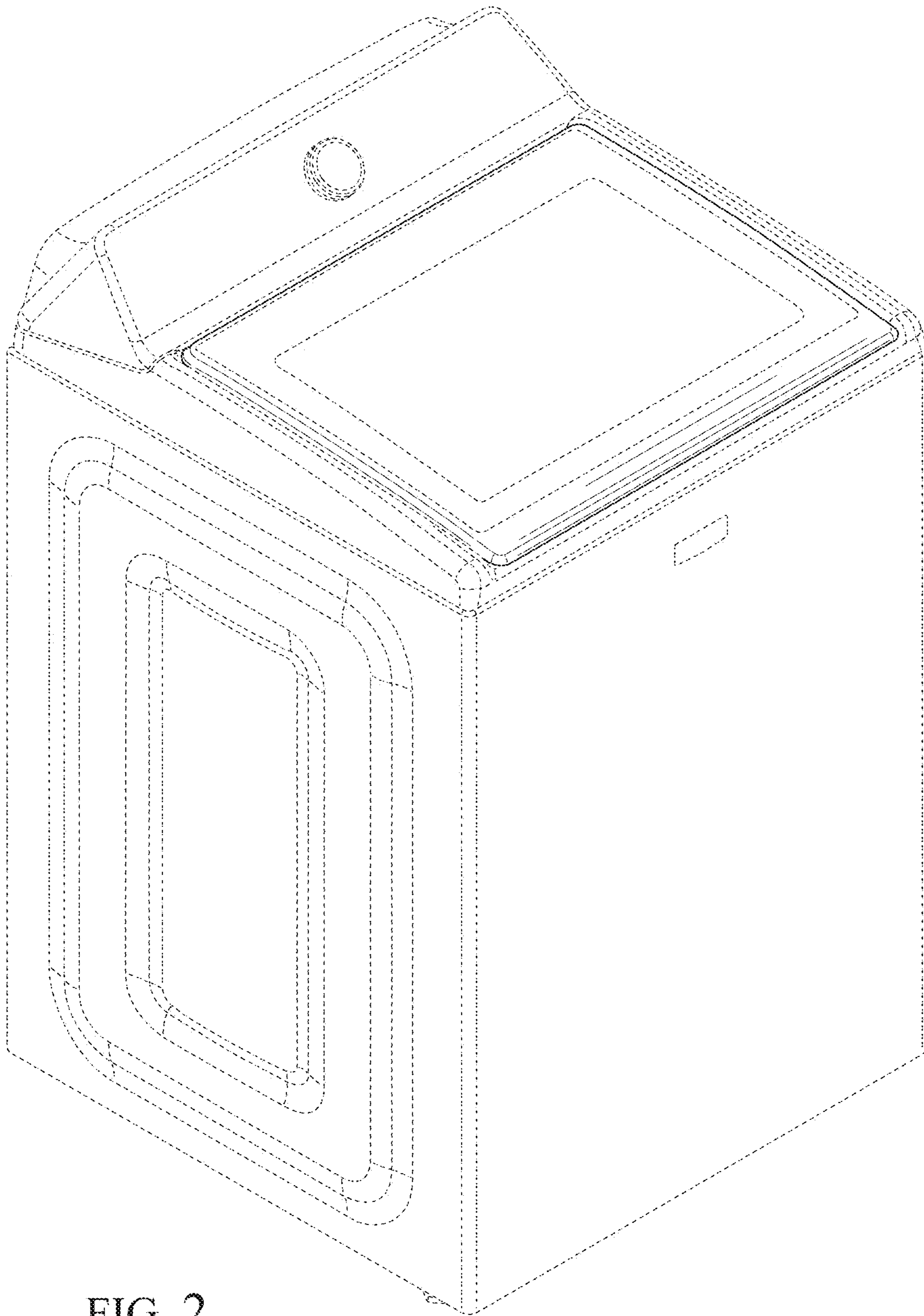


FIG. 2

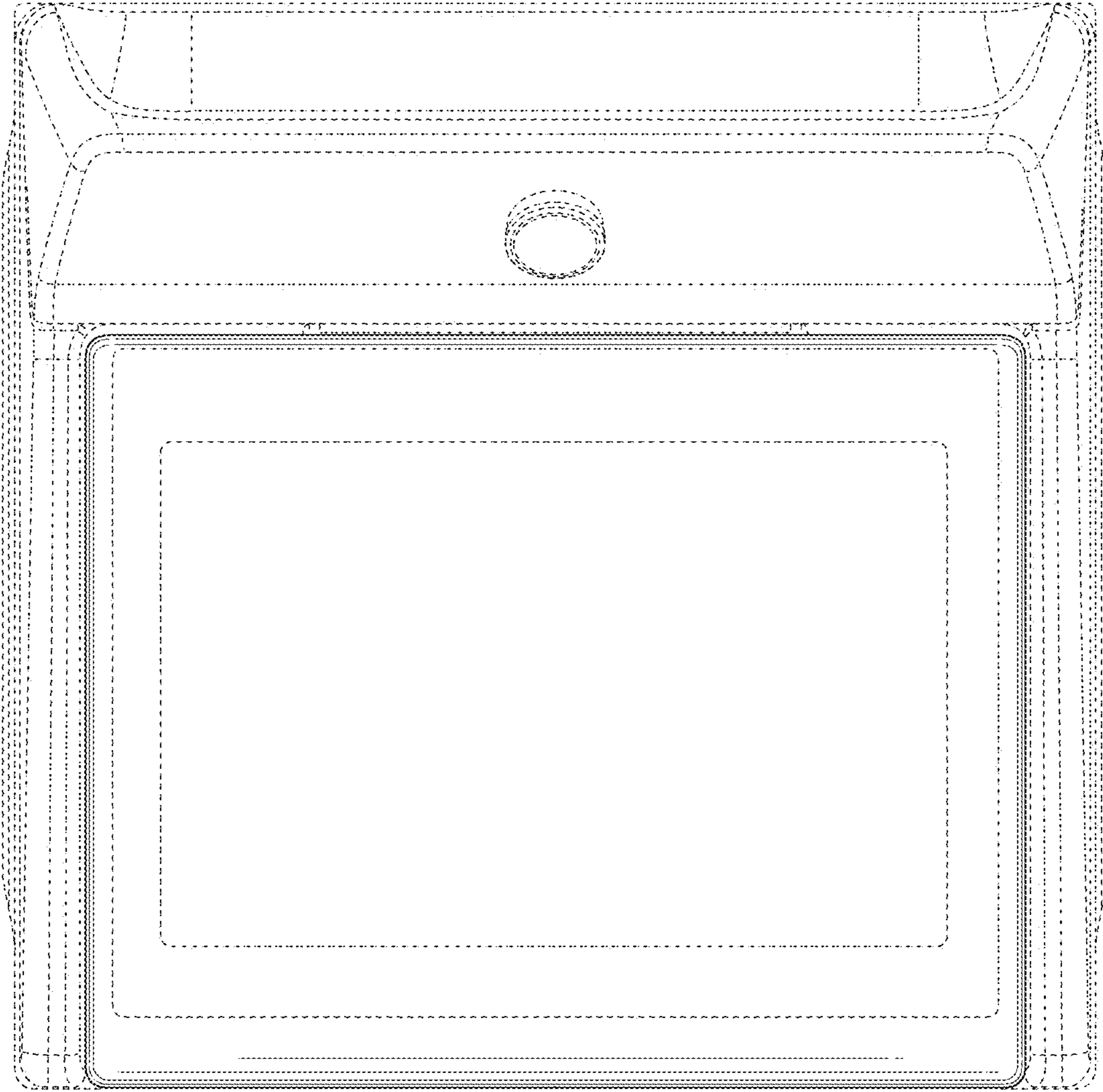


FIG. 3

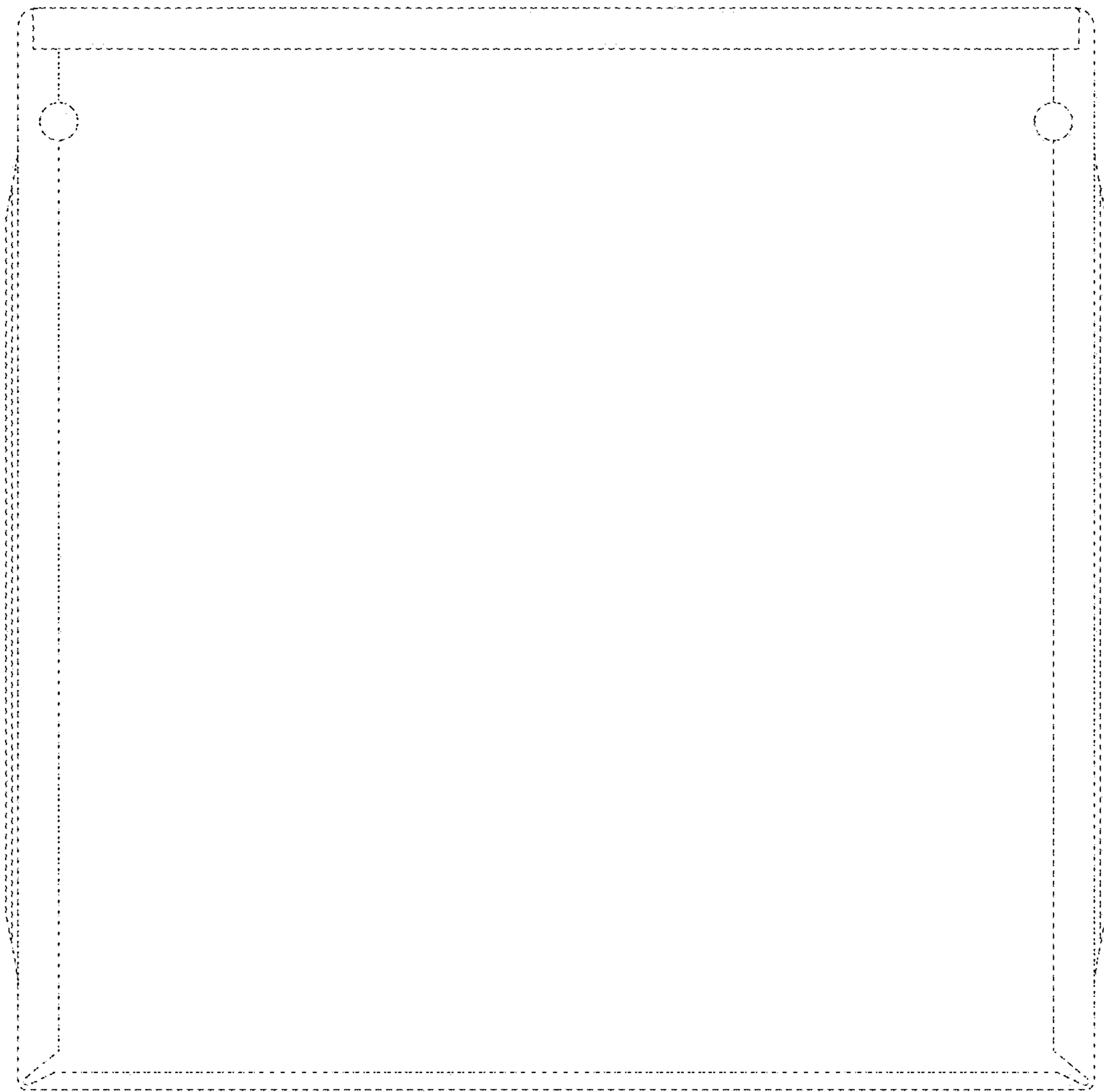


FIG. 4

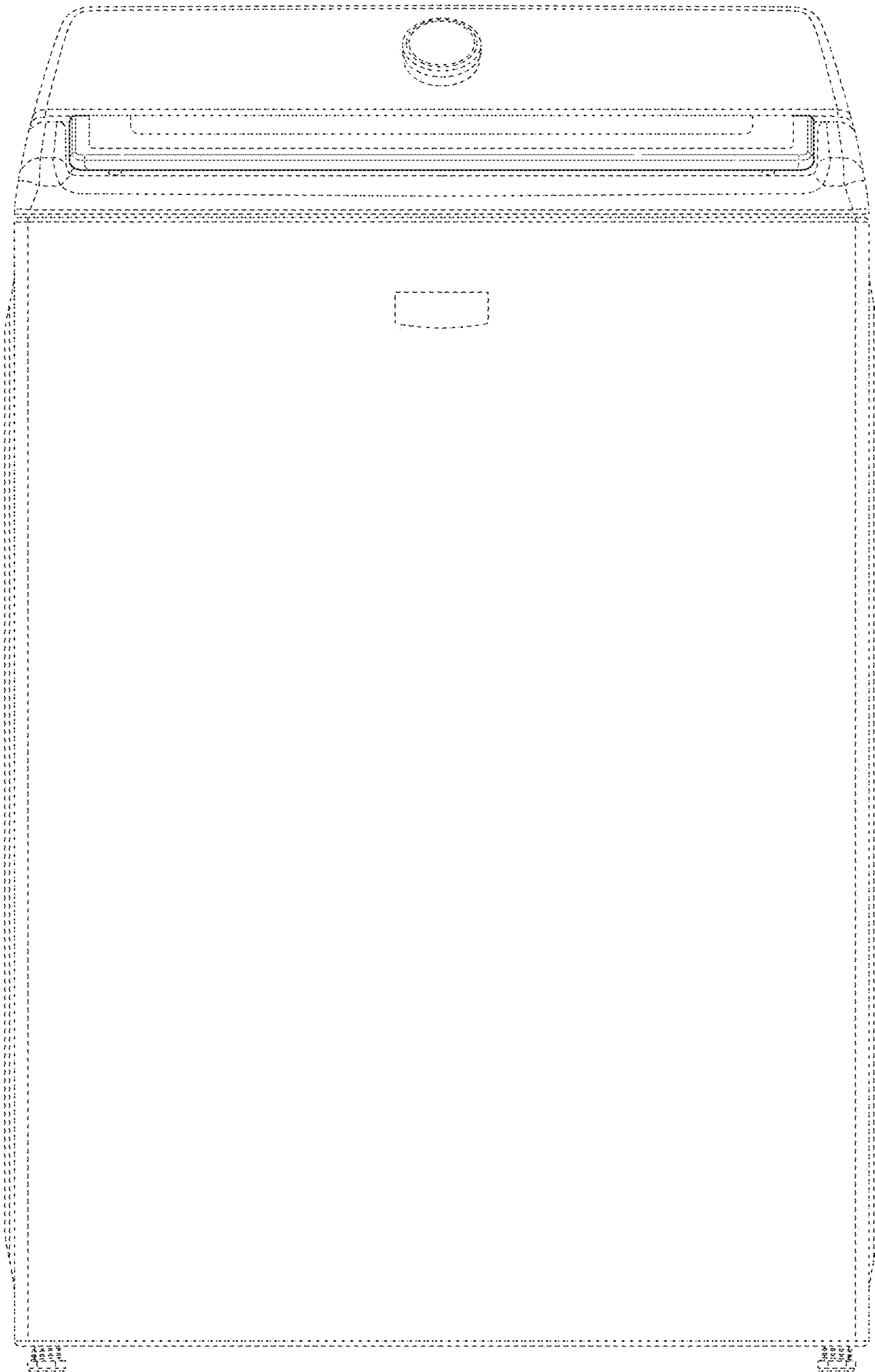


FIG. 5

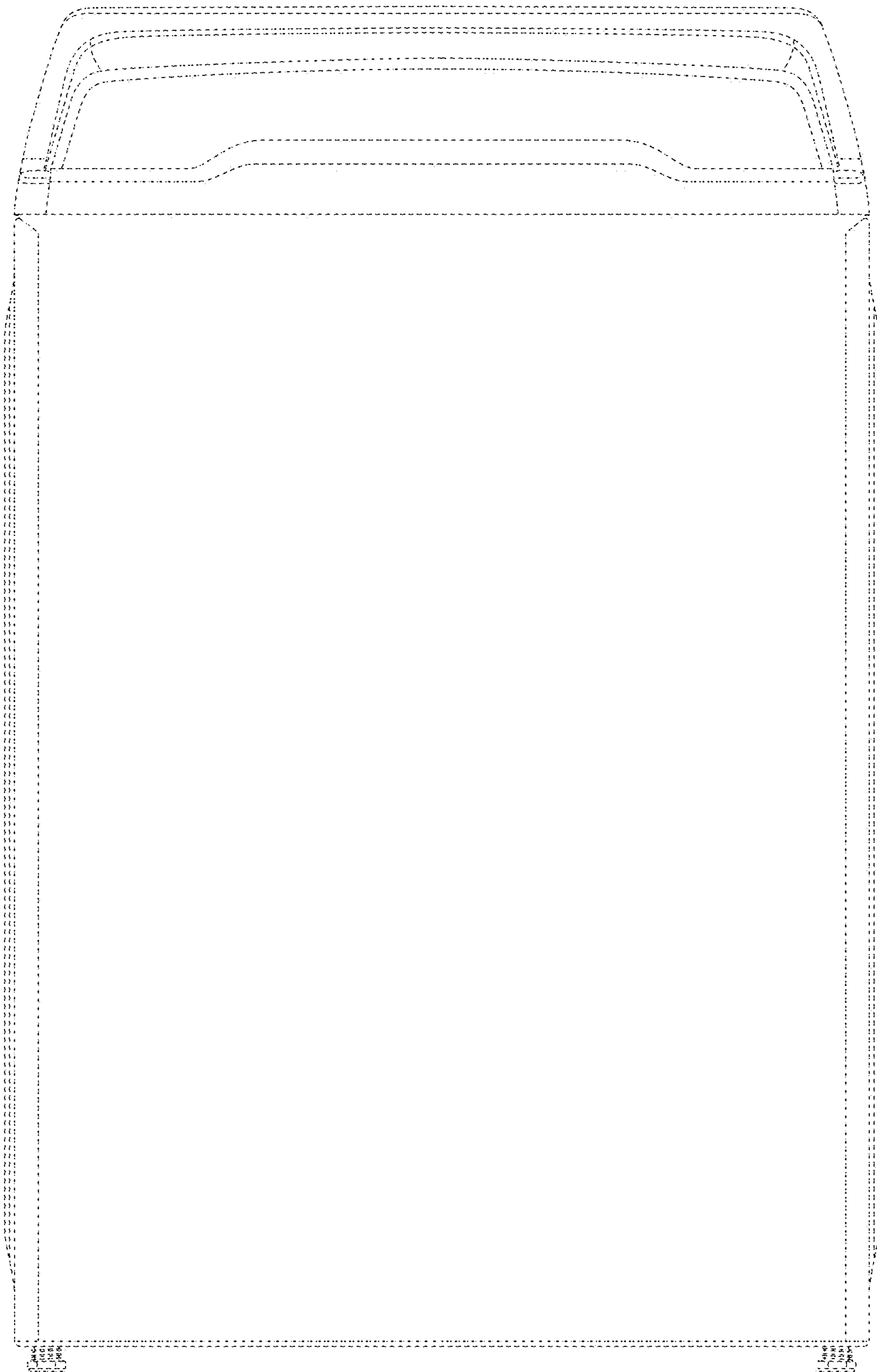


FIG. 6

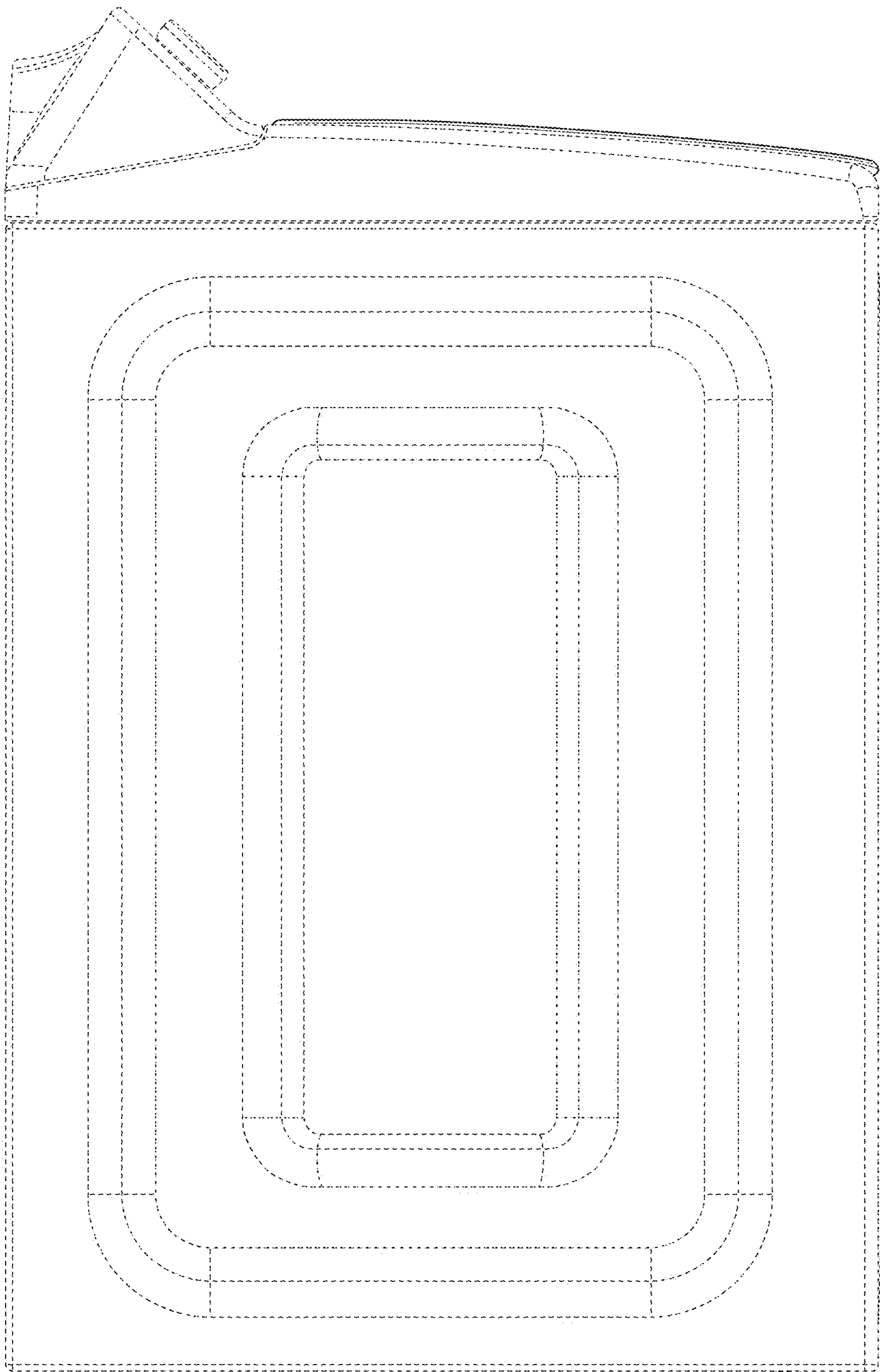


FIG. 7

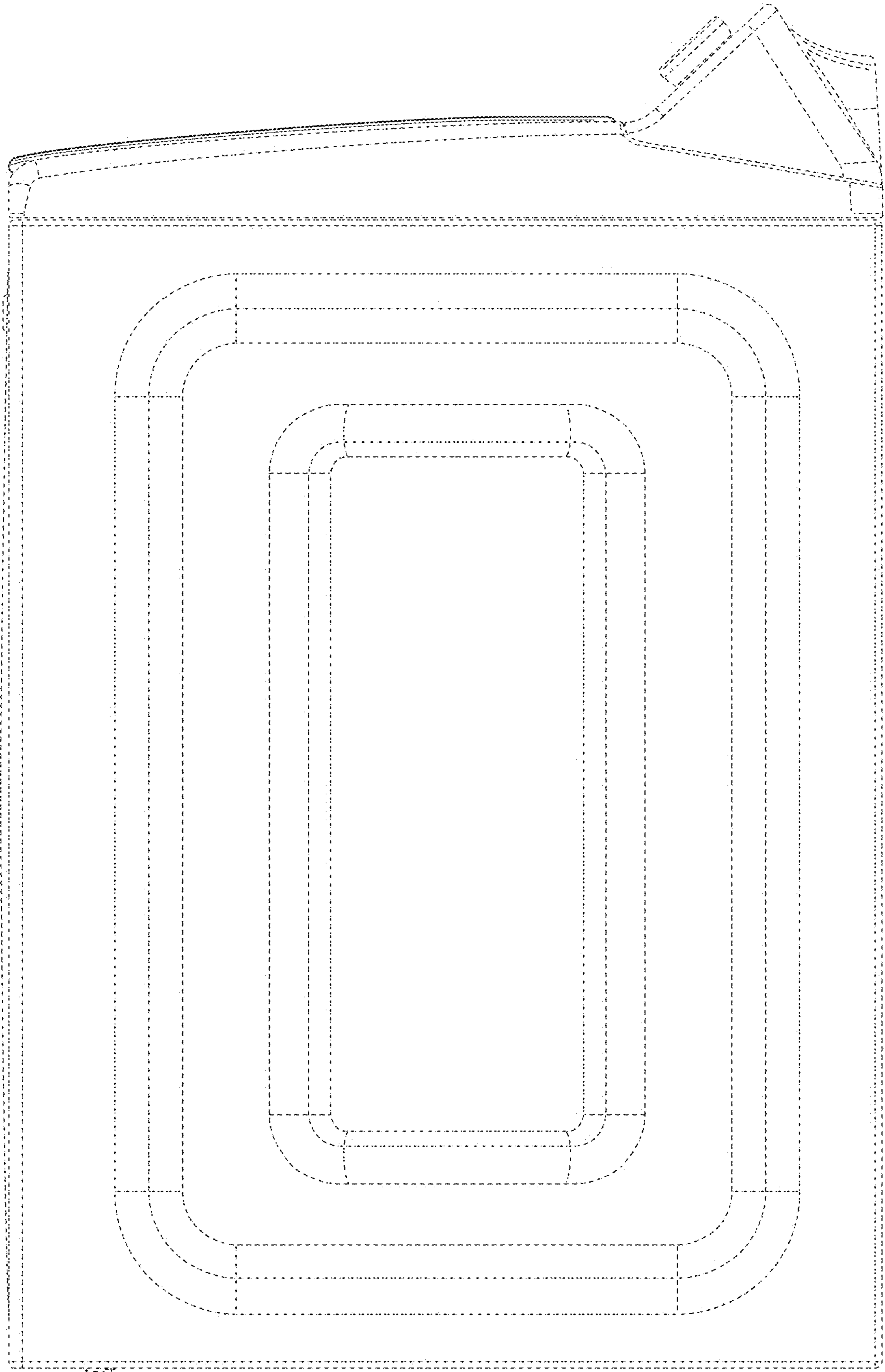


FIG. 8

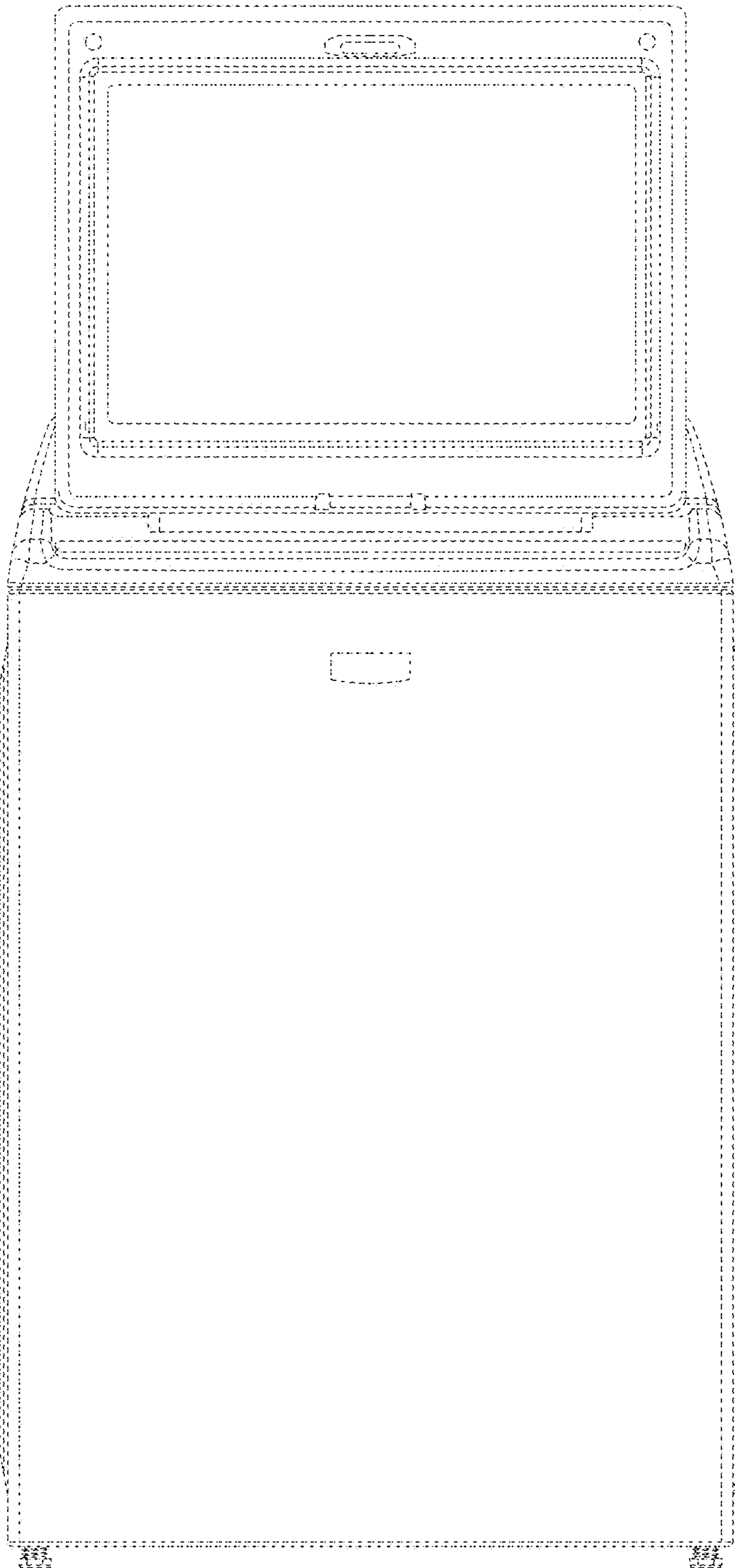


FIG. 9