



US00D873514S

(12) **United States Design Patent**  
**Huang**

(10) **Patent No.:** **US D873,514 S**

(45) **Date of Patent:** **\*\* Jan. 21, 2020**

(54) **CAR VACUUM CLEANER**

(71) Applicant: **Cixi Mongsun Electric Appliance Co., LTD.**, Cixi, Zhejiang (CN)

(72) Inventor: **Yeja Huang**, Cixi (CN)

(73) Assignee: **Cixi Mongsun Electric Appliance Co., Ltd.**, Cixi, Zhejiang (CN)

(\*\*) Term: **15 Years**

(21) Appl. No.: **29/666,216**

(22) Filed: **Oct. 10, 2018**

(30) **Foreign Application Priority Data**

Apr. 10, 2018 (CN) ..... 2018 3 0143827

(51) **LOC (12) Cl.** ..... **15-05**

(52) **U.S. Cl.**  
USPC ..... **D32/18**

(58) **Field of Classification Search**  
USPC ..... D32/17-18, 31, 22, 34; 15/328, 344  
CPC ... A47L 5/24; A47L 5/26; A47L 5/362; A47L 5/36; A47L 5/28; A47L 9/102; A47L 9/1683; A47L 9/32  
See application file for complete search history.

(56) **References Cited**

**U.S. PATENT DOCUMENTS**

D401,021 S \* 11/1998 Stephens ..... D32/18  
D441,152 S \* 4/2001 Stratford ..... D32/18

D441,926 S \* 5/2001 Stratford ..... D32/18  
6,434,785 B1 \* 8/2002 Vandenberg ..... A47L 5/24  
15/344  
D509,930 S \* 9/2005 Stratford ..... D32/18  
D564,153 S \* 3/2008 Fjellman ..... D32/18  
D565,811 S \* 4/2008 Fjellman ..... D32/18  
D565,812 S \* 4/2008 Fjellman ..... D32/18  
D844,266 S \* 3/2019 Wang ..... D32/18  
D851,342 S \* 6/2019 Tu ..... D32/18

\* cited by examiner

*Primary Examiner* — Ruth McInroy

(74) *Attorney, Agent, or Firm* — Raymond Y. Chan;  
David and Raymond Patent Firm

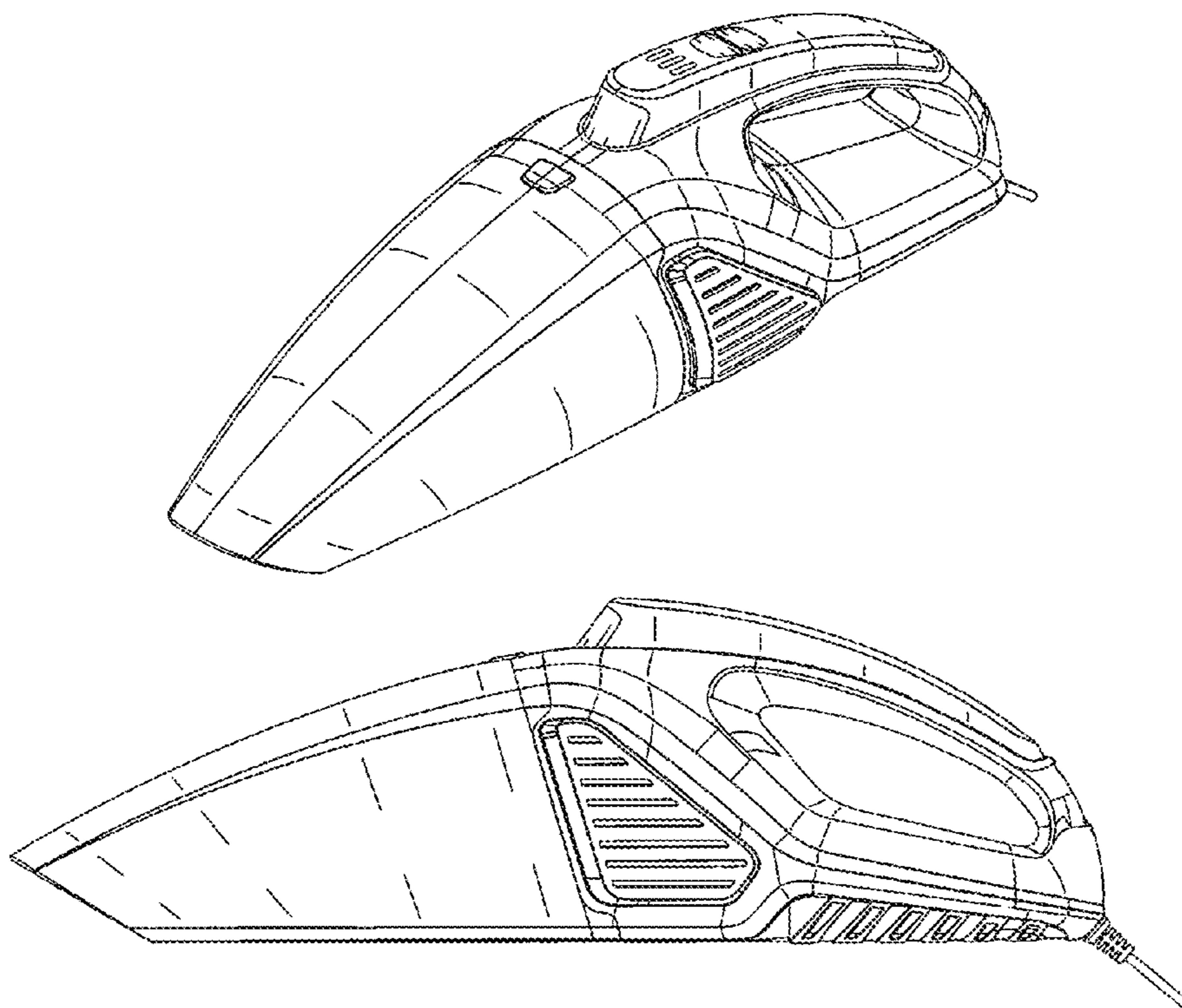
(57) **CLAIM**

The ornamental design for a car vacuum cleaner, as shown and described.

**DESCRIPTION**

FIG. 1 is a perspective view of a car vacuum cleaner showing my new design;  
FIG. 2 is a front view thereof;  
FIG. 3 is a rear view thereof;  
FIG. 4 is a left view thereof;  
FIG. 5 is a right side view thereof;  
FIG. 6 is a top view thereof; and,  
FIG. 7 is a bottom view thereof.  
The details shown in broken lines form no part of the claimed design.

**1 Claim, 7 Drawing Sheets**



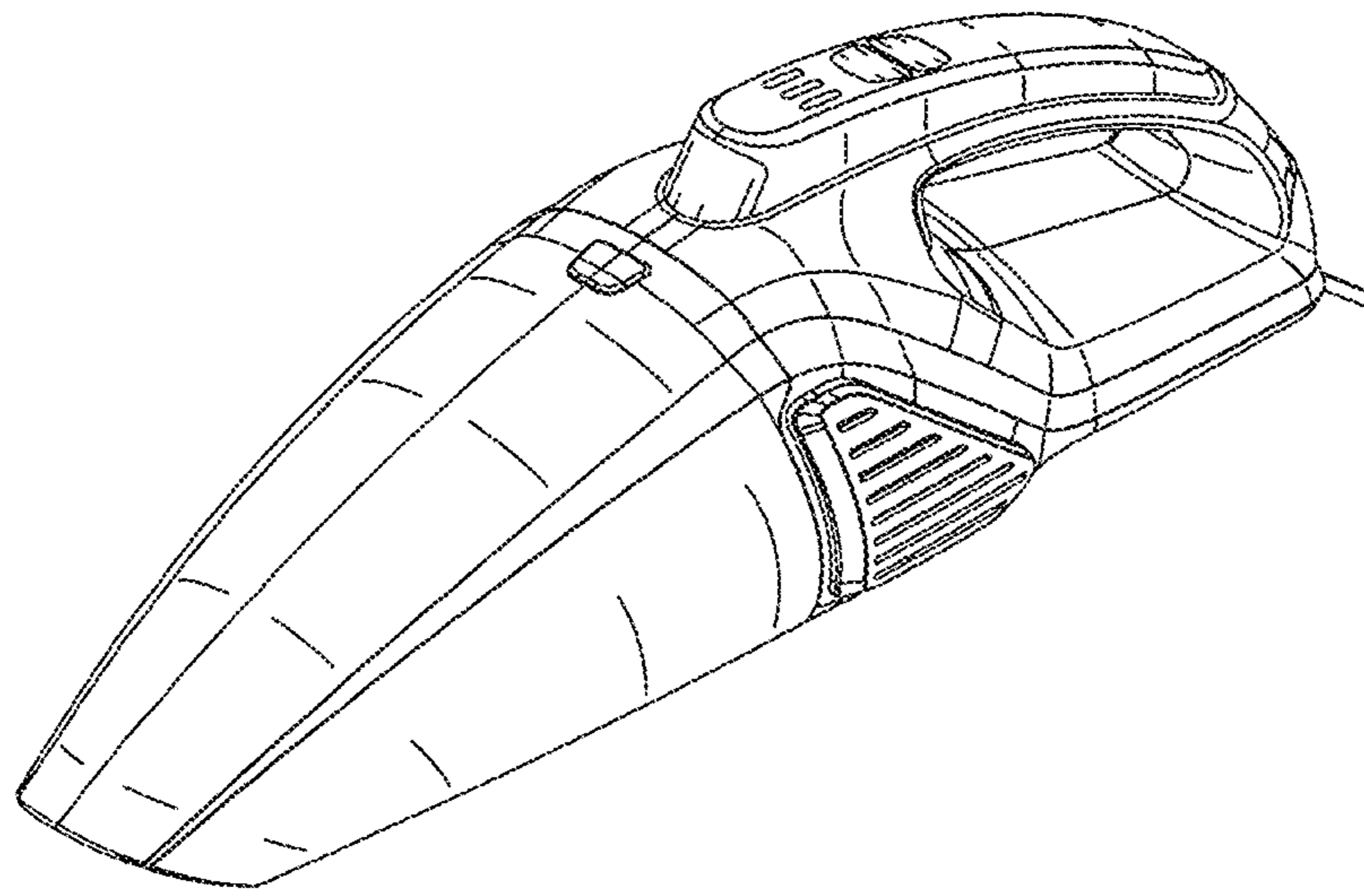


FIG.1

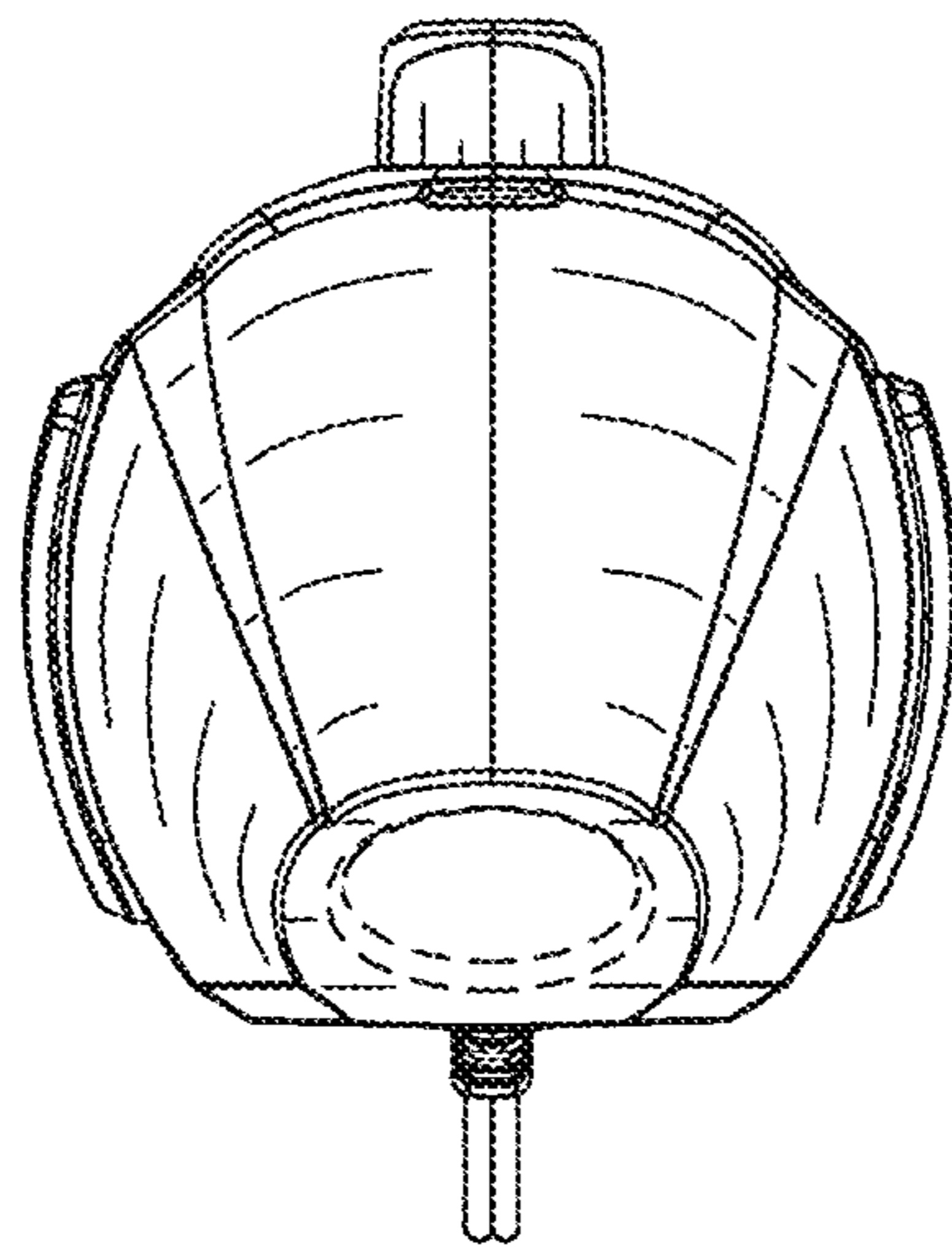


FIG.2

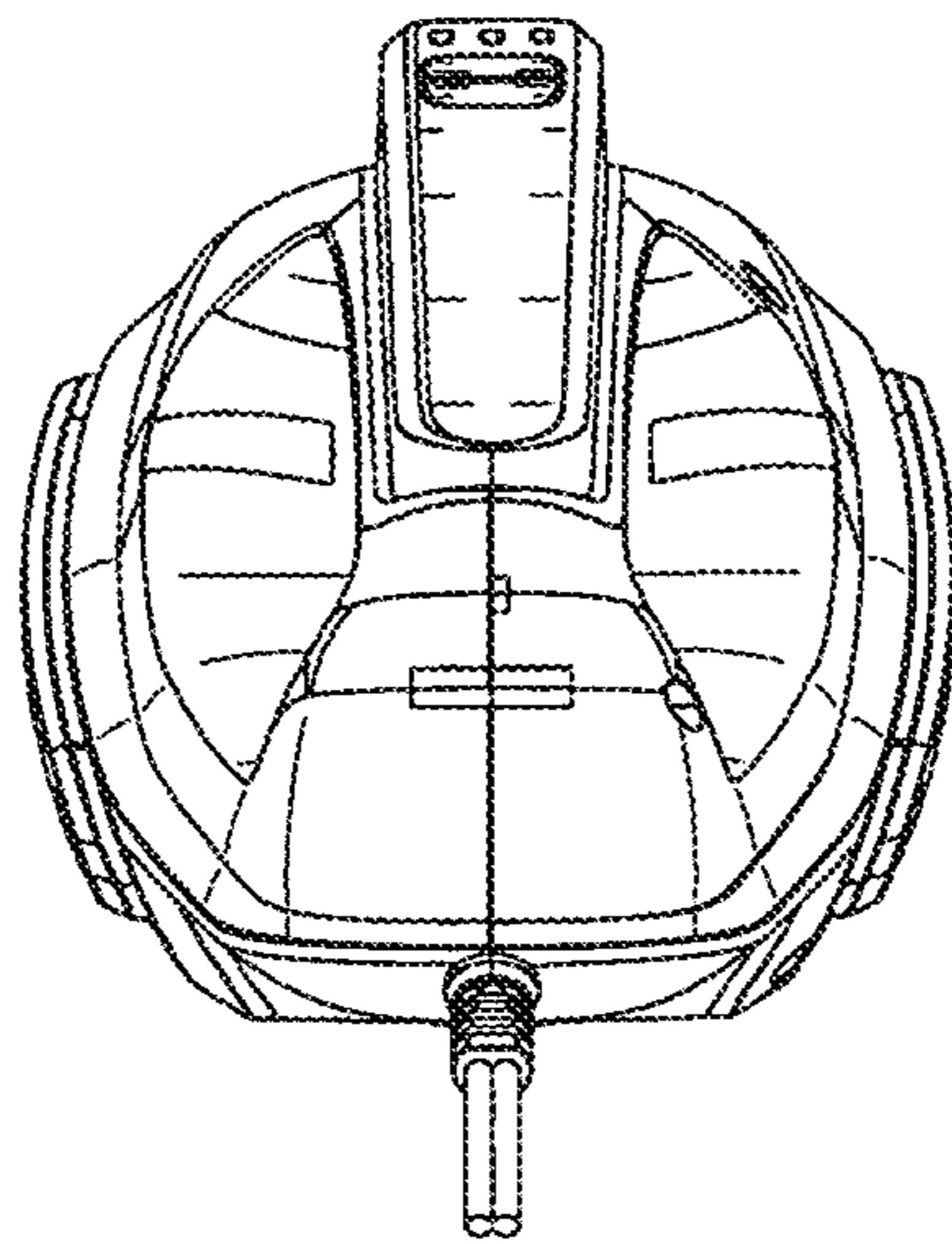


FIG.3

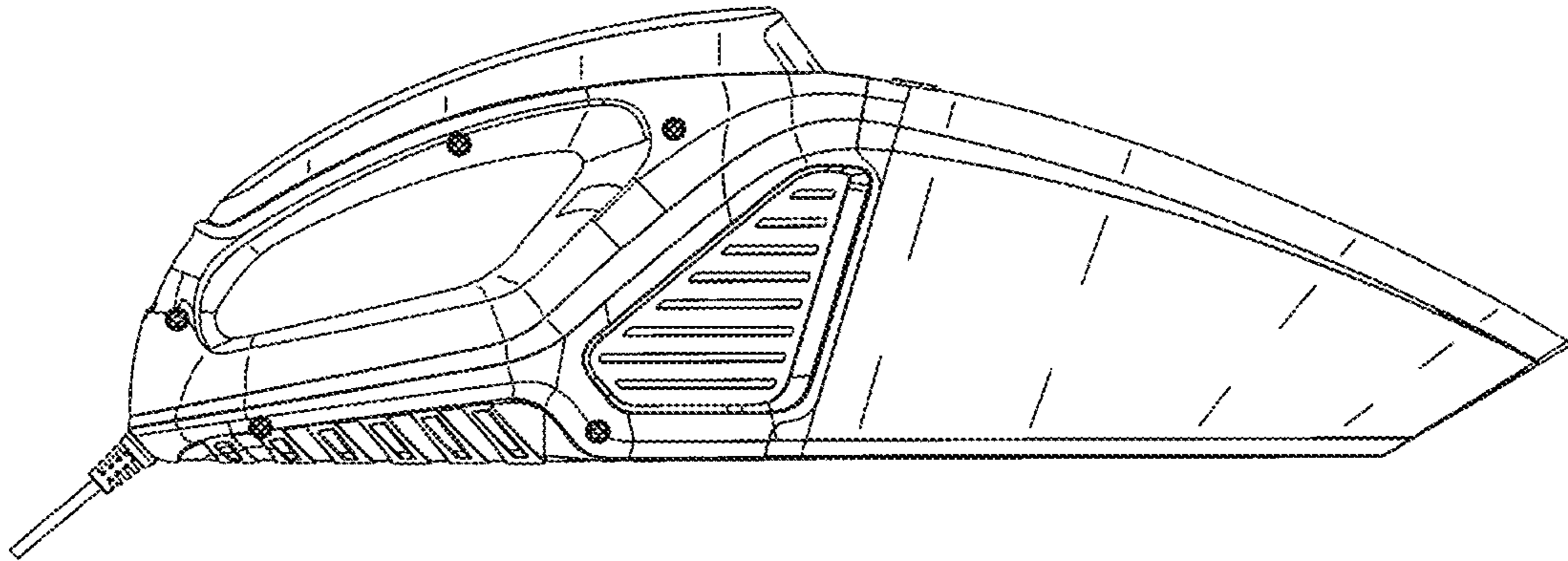


FIG.4

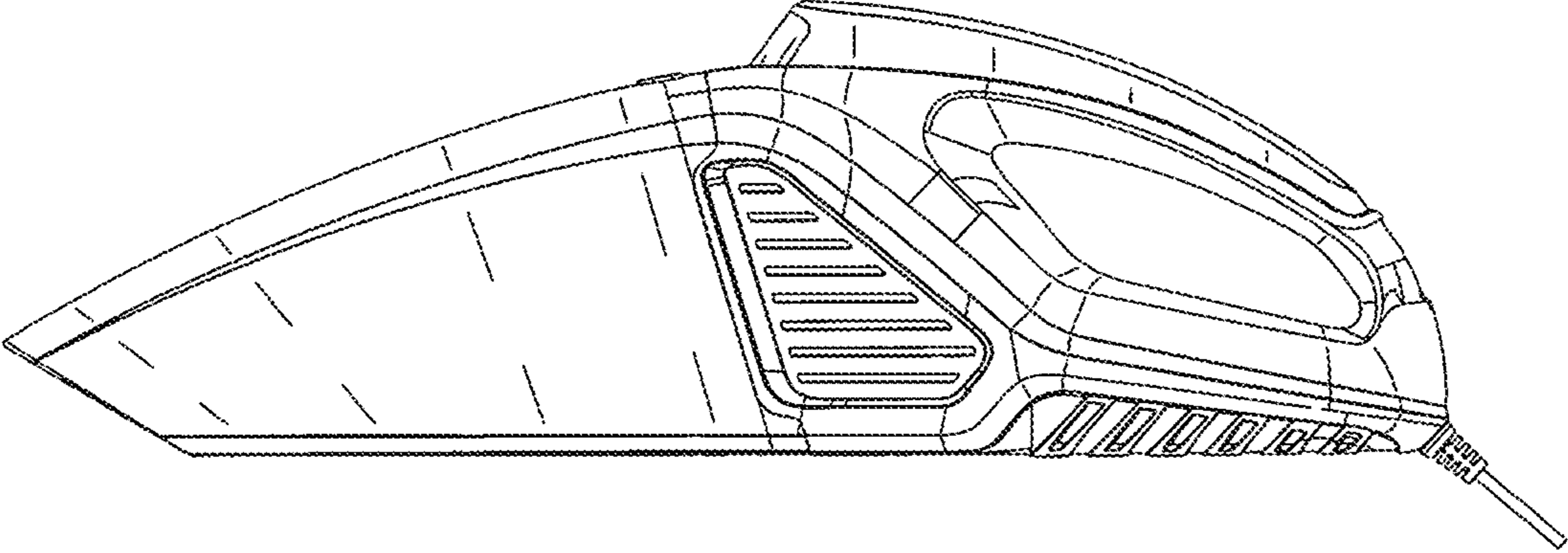


FIG.5

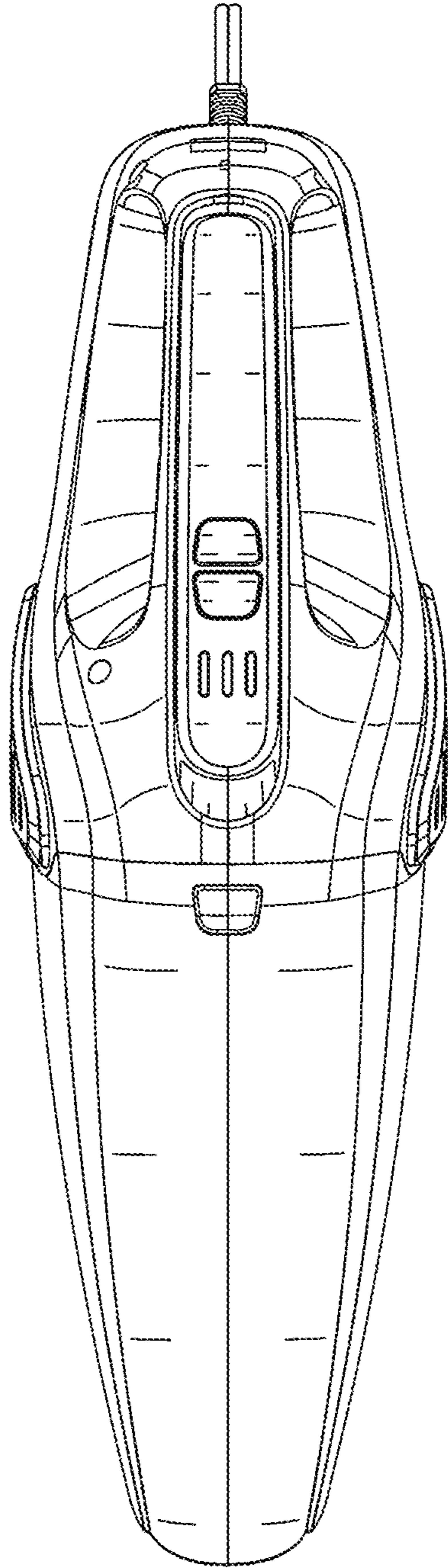


FIG.6

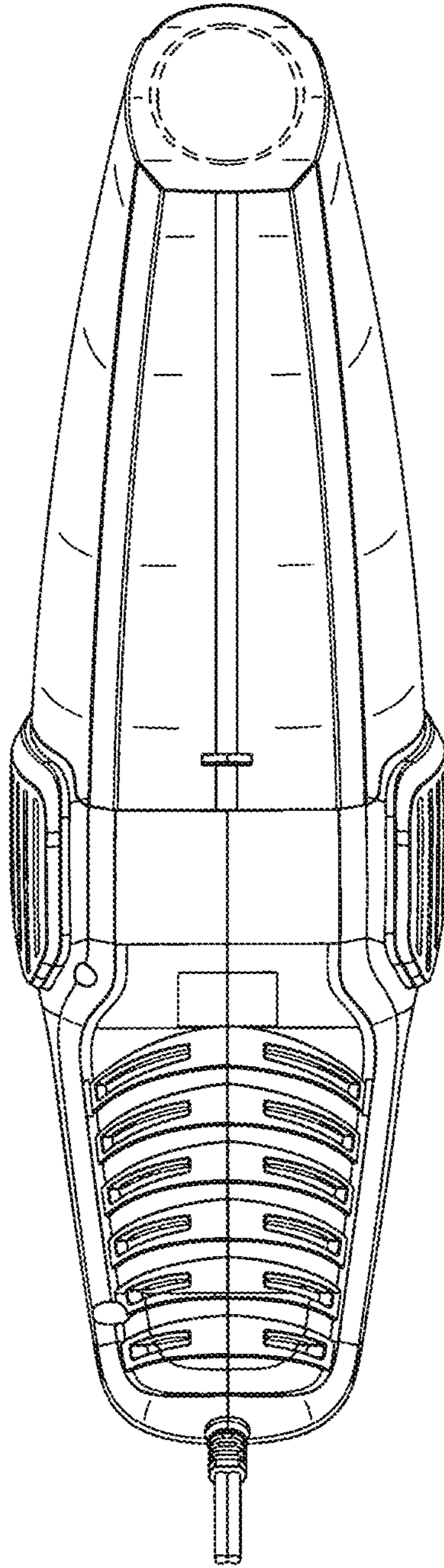


FIG. 7