



US00D873511S

(12) **United States Design Patent** (10) **Patent No.:** **US D873,511 S**  
**Buzruk et al.** (45) **Date of Patent:** **\*\* Jan. 21, 2020**

- (54) **MANUAL LAUNDRY DEVICE**
- (71) Applicant: **WHIRLPOOL CORPORATION**,  
Benton Harbor, MI (US)
- (72) Inventors: **Abhishek Buzruk**, Pune (IN); **Rebecca George**, Benton Harbor, MI (US);  
**Georgina Mang**, Stevensville, MI (US)
- (73) Assignee: **Whirlpool Corporation**, Benton Harbor, MI (US)
- (\*\*) Term: **15 Years**
- (21) Appl. No.: **29/598,473**
- (22) Filed: **Mar. 27, 2017**
- (51) **LOC (12) Cl.** ..... **15-05**
- (52) **U.S. Cl.**  
USPC ..... **D32/13**
- (58) **Field of Classification Search**  
USPC ..... D32/29.1, 29, 28, 6, 25, 8, 1, 5, 10, 13  
CPC ..... D06F 39/045; D06F 29/00; D06F 29/005;  
D06F 25/00; D06F 39/022; D06F 33/02;  
D06F 2204/065; D06F 35/006  
See application file for complete search history.

(56) **References Cited**

U.S. PATENT DOCUMENTS

- D542,603 S \* 5/2007 Hood ..... D7/665  
D603,226 S \* 11/2009 Hood ..... D7/629  
7,621,213 B2 \* 11/2009 Wong ..... A47J 43/24  
34/58  
D609,981 S \* 2/2010 Jossem ..... D7/665  
7,681,495 B2 \* 3/2010 Wan ..... A47J 43/1018  
34/58

- 7,975,605 B2 \* 7/2011 Wan ..... F26B 5/08  
34/58  
D758,027 S \* 5/2016 Luang ..... D32/6  
D768,942 S \* 10/2016 Luang ..... D32/6  
D816,923 S \* 5/2018 Silagy ..... D32/6  
D817,564 S \* 5/2018 Shin ..... D32/6  
2005/0005655 A1 \* 1/2005 Taylor ..... D06F 5/02  
68/215  
2006/0191901 A1 \* 8/2006 Taylor ..... A47K 10/06  
219/521  
2006/0260366 A1 \* 11/2006 Slutsky ..... D06F 23/04  
68/3 R

\* cited by examiner

Primary Examiner — Michelle E. Wilson

(74) *Attorney, Agent, or Firm* — Price Heneveld LLP

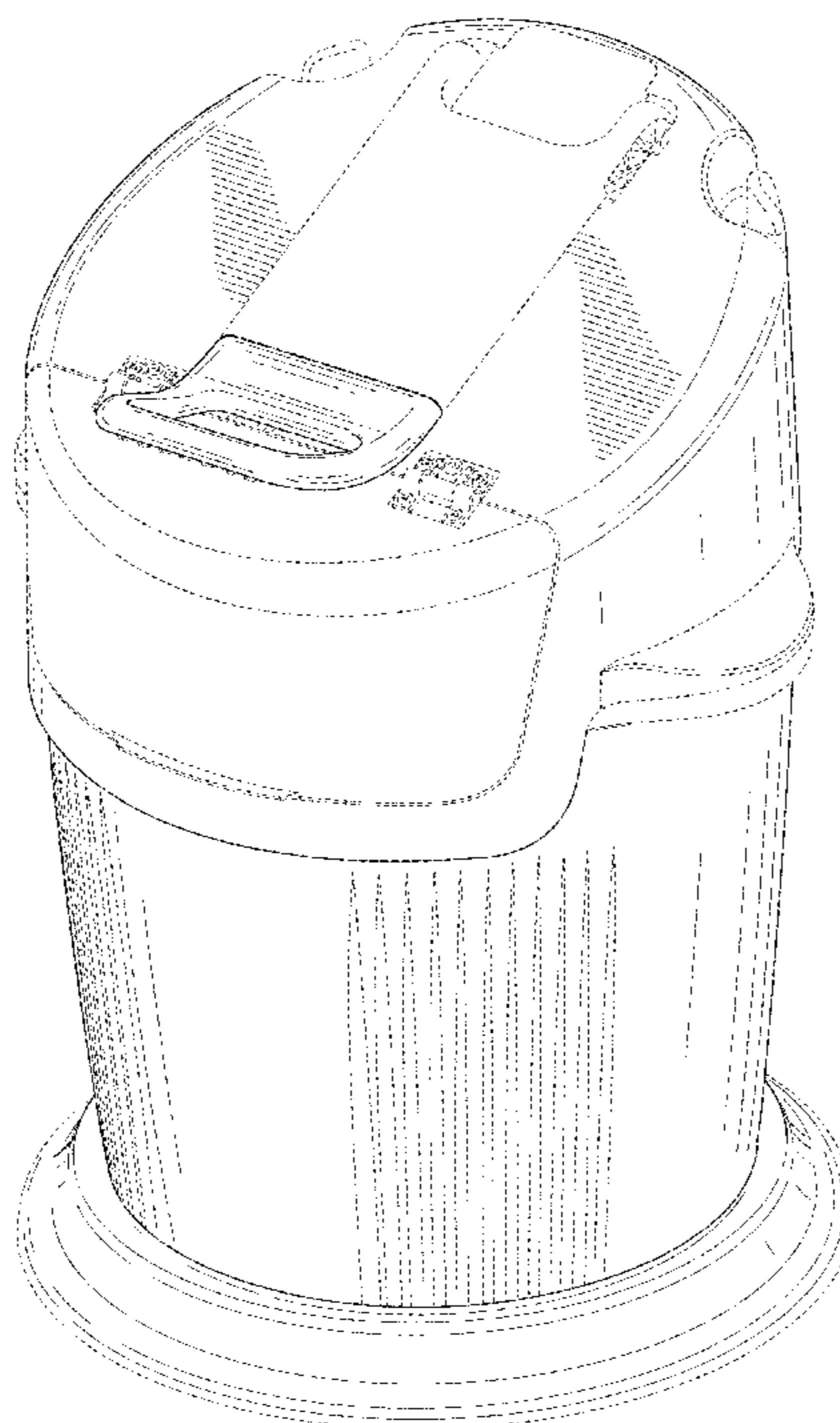
(57) **CLAIM**

The ornamental design for a manual laundry device, as shown and described.

**DESCRIPTION**

FIG. 1 is a front perspective view of a manual laundry device according to our design;  
FIG. 2 is a front elevation view thereof;  
FIG. 3 is a back elevation view thereof;  
FIG. 4 is a right side elevation view thereof;  
FIG. 5 is a left side elevation view thereof;  
FIG. 6 is a top plan view thereof; and,  
FIG. 7 is a bottom plan view thereof.  
Broken lines depicting portions of the article form no part of the claimed design.  
Dash-dot lines adjacent un-shaded areas represent bounds of the claimed design and form no part of the claimed design themselves.

**1 Claim, 7 Drawing Sheets**



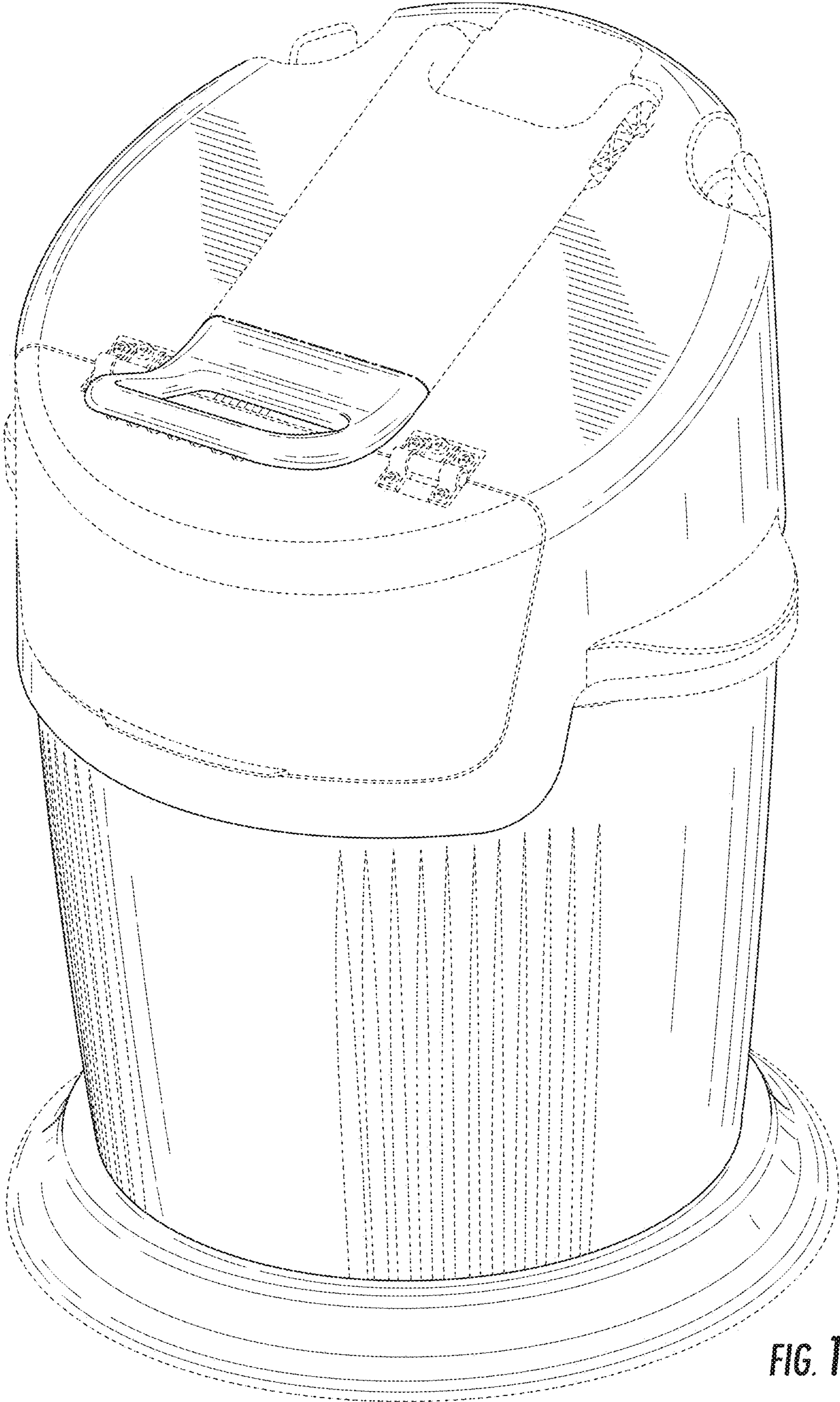


FIG. 1

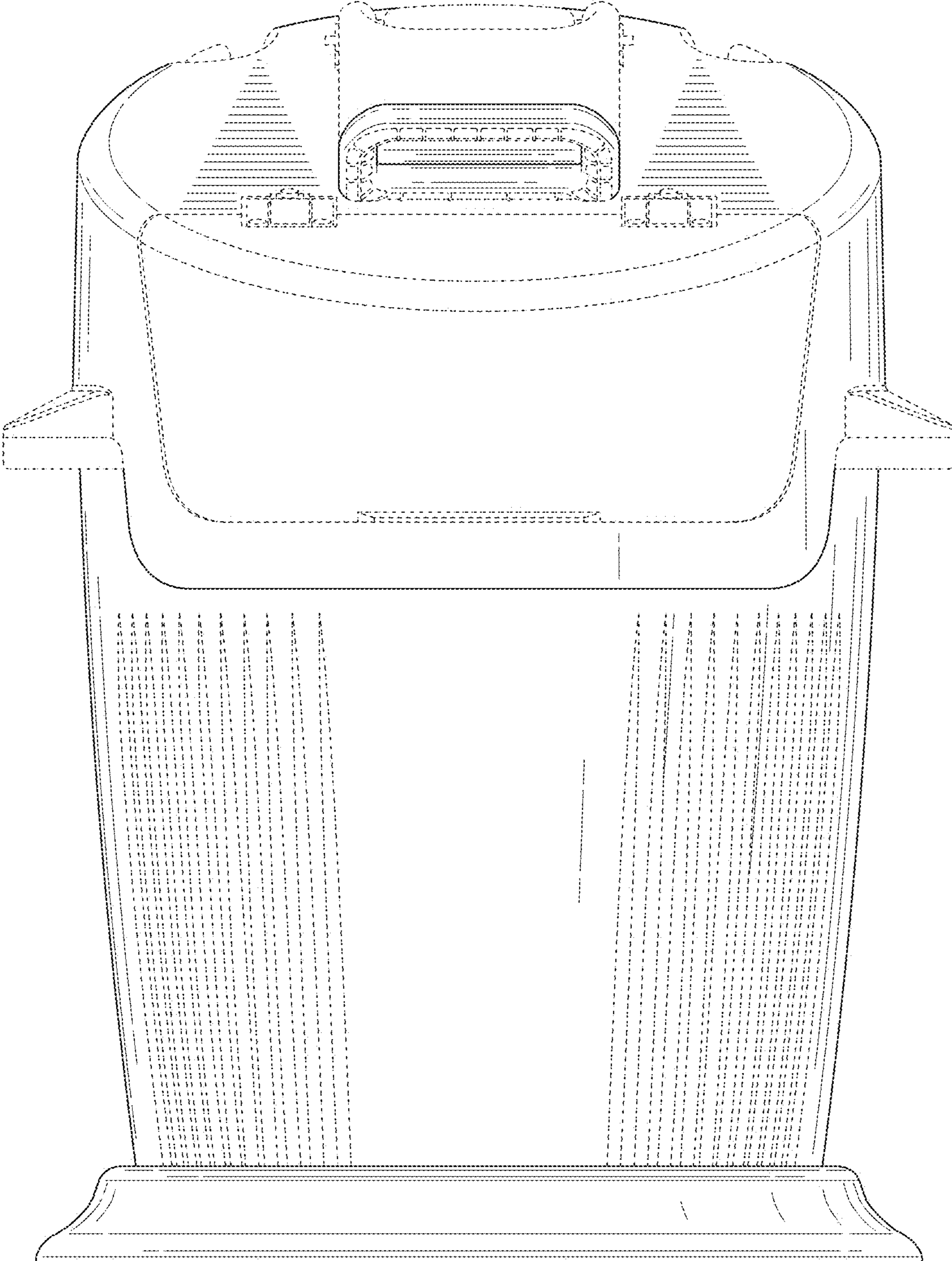


FIG. 2

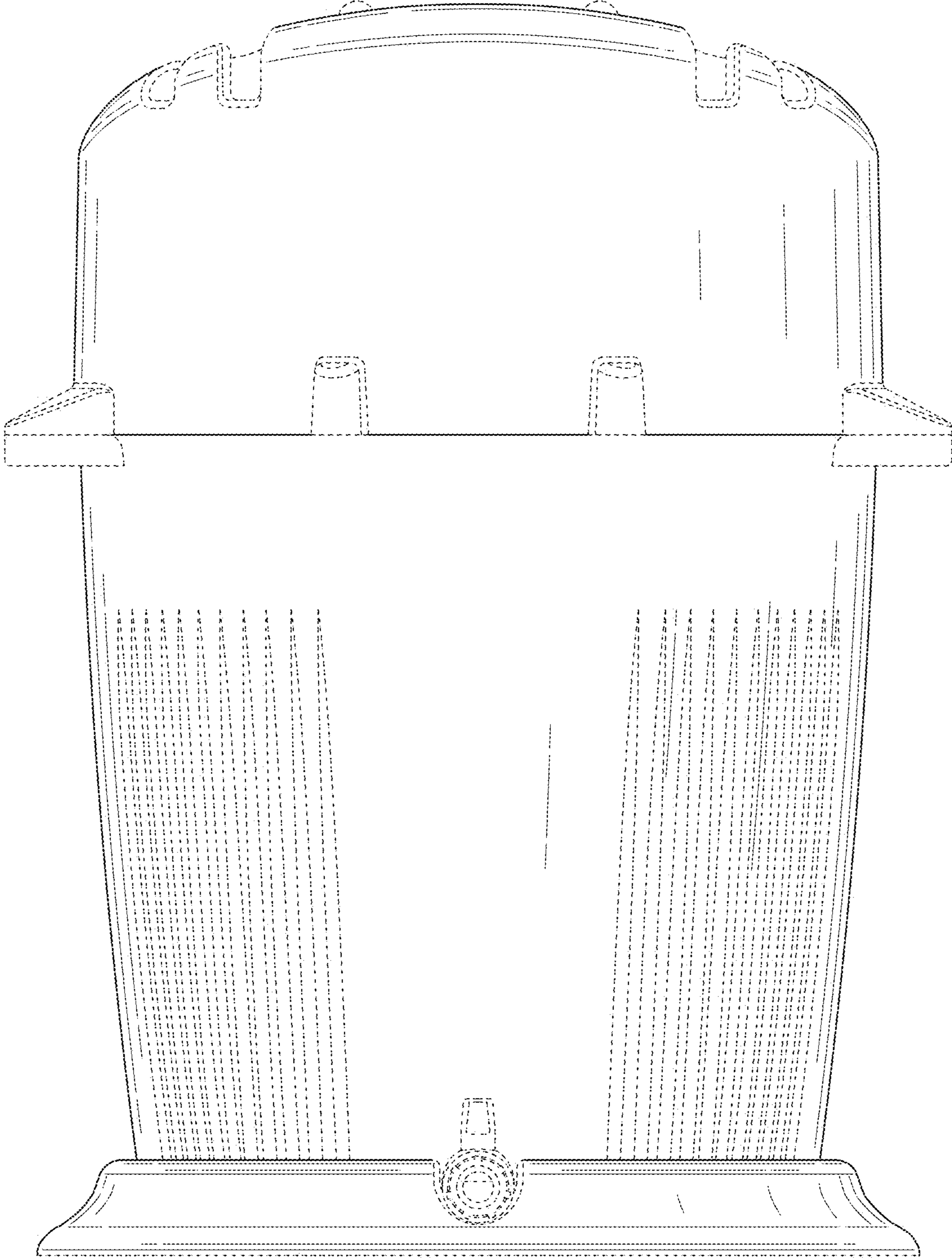


FIG. 3

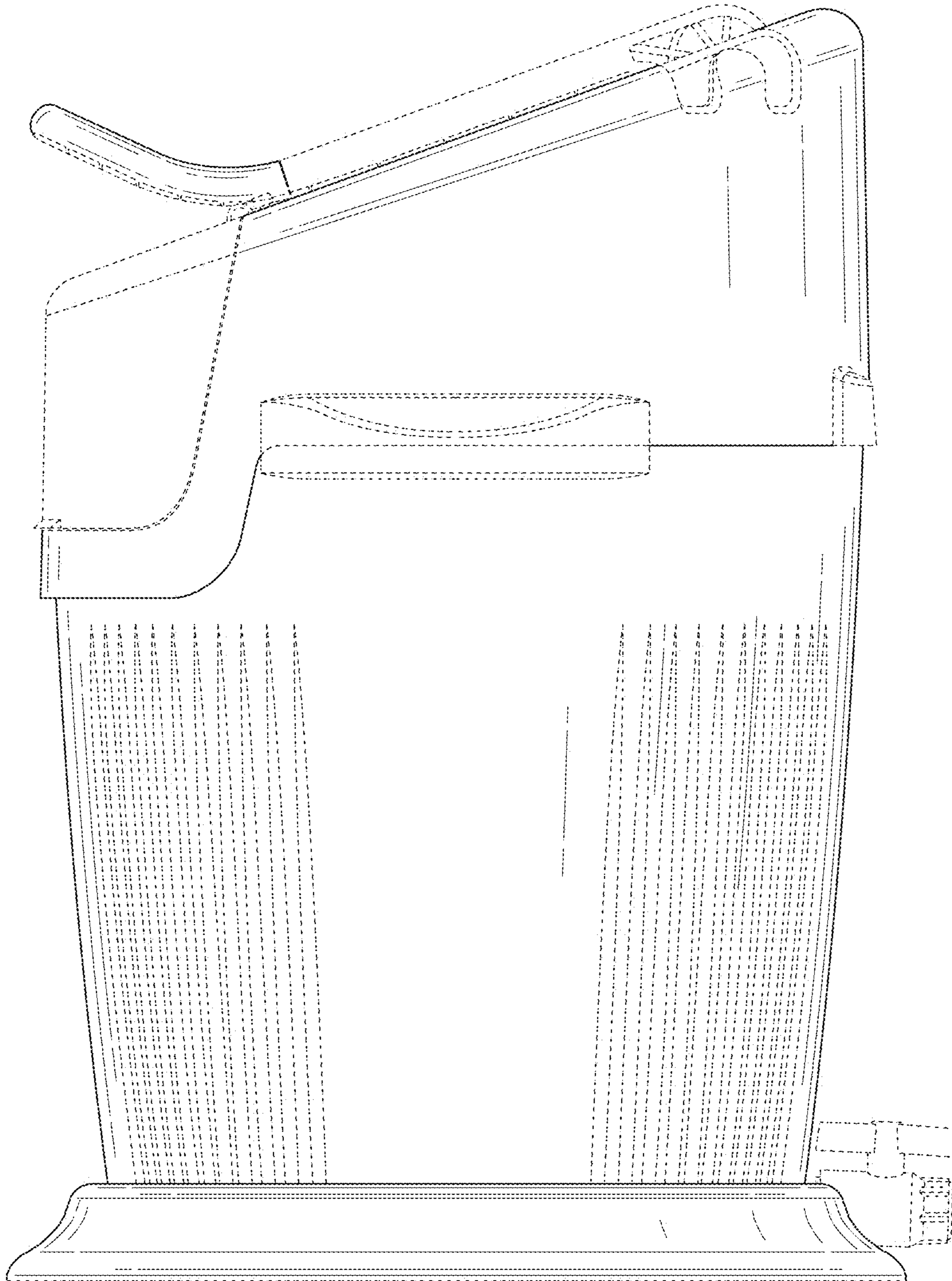


FIG. 4

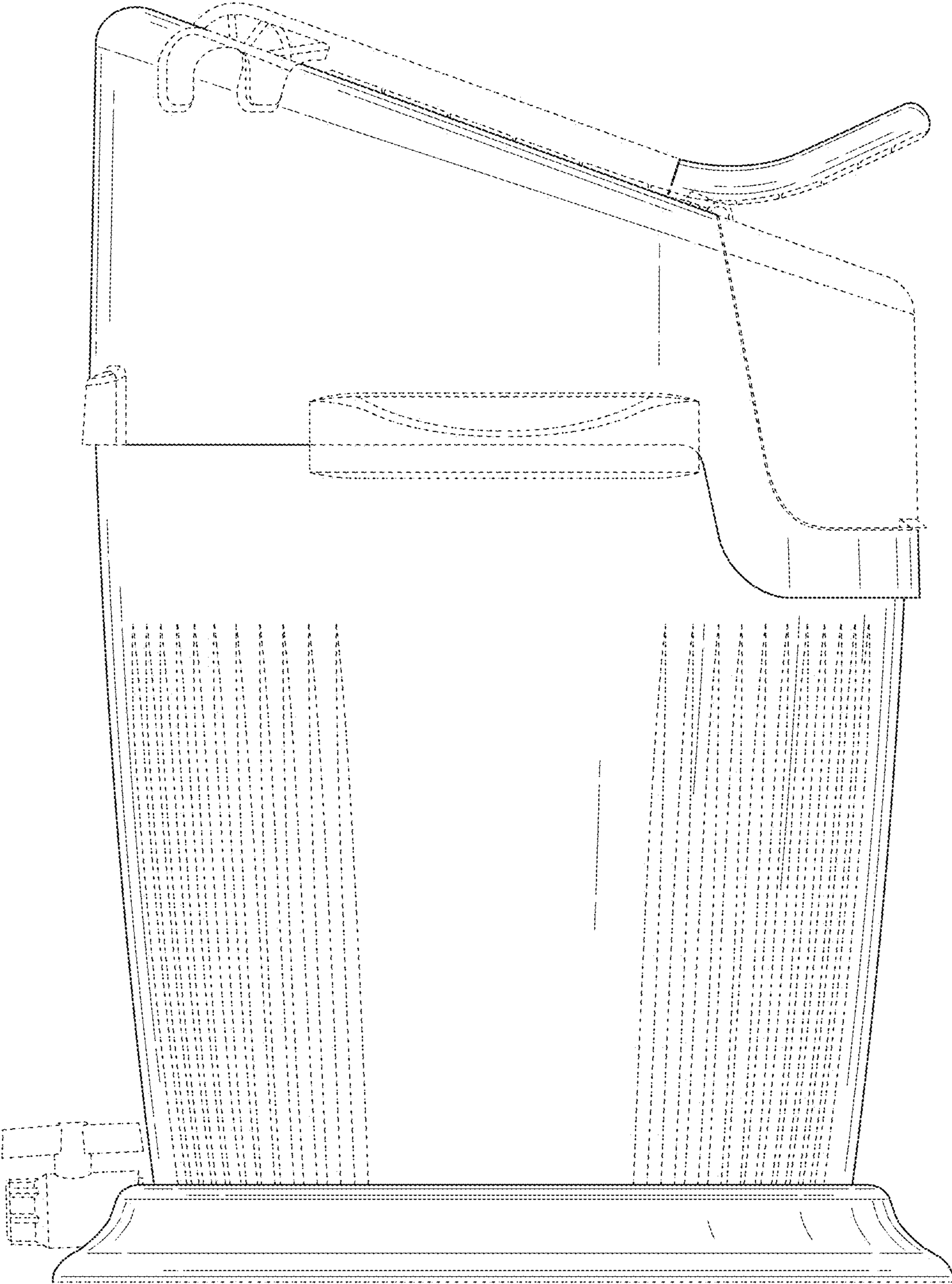


FIG. 5

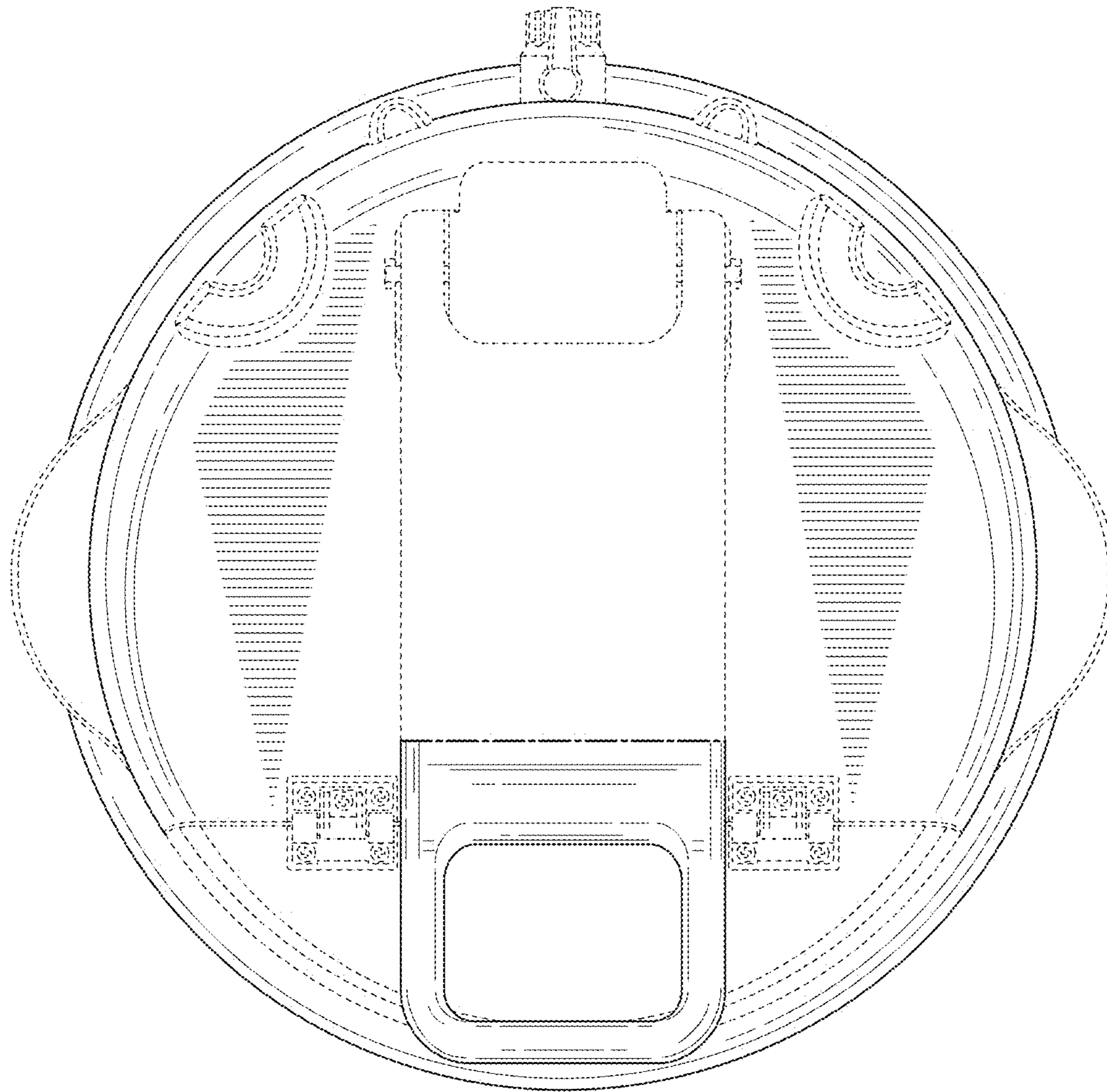


FIG. 6

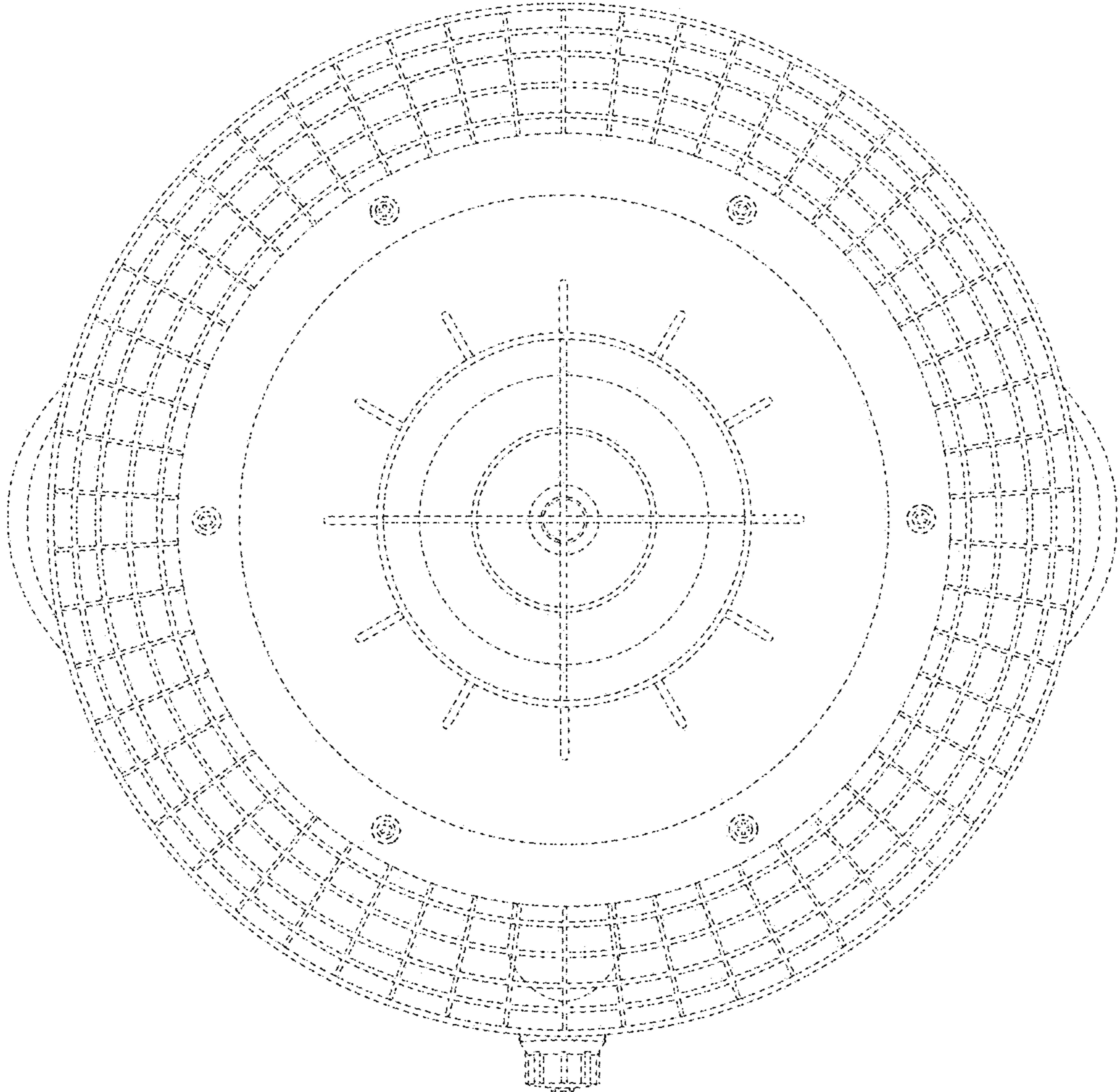


FIG. 7