



US00D873510S

(12) **United States Design Patent** (10) **Patent No.:** **US D873,510 S**
Thuma et al. (45) **Date of Patent:** **** Jan. 21, 2020**

(54) **LACROSSE BALL RESURFACER** 1,954,738 A * 4/1934 Lerch A63B 47/04
15/179
(71) Applicants: **Daniel Thuma**, La Grange, IL (US); D102,050 S * 11/1936 Dietert D32/1
William Thuma, La Grange, IL (US); D122,669 S * 9/1940 Hope D6/516
Michael Thuma, La Grange, IL (US) D168,835 S * 2/1953 Freeman D9/428
2,793,670 A * 5/1957 Schmidt A47J 47/18
220/675
(72) Inventors: **Daniel Thuma**, La Grange, IL (US); D192,047 S * 1/1962 Farmer D32/35
William Thuma, La Grange, IL (US); D233,361 S * 10/1974 Norden D21/795
Michael Thuma, La Grange, IL (US) D247,196 S * 2/1978 Mikosz D3/204
(**) Term: **15 Years** (Continued)

FOREIGN PATENT DOCUMENTS

(21) Appl. No.: **29/598,362**
(22) Filed: **Mar. 24, 2017**
(51) **LOC (12) Cl.** **15-05**
(52) **U.S. Cl.**
USPC **D32/1; D15/124; D21/698**
(58) **Field of Classification Search**
USPC D21/392, 394, 395, 698, 715, 720, 721,
D21/782, 785, 789, 796, 799.1, 799.2,
D21/795; D15/122, 124, 126, 138, 199;
D3/18, 20, 23-25, 206, 221, 229, 254,
D3/257, 258, 259, 272, 273, 302, 315,
D3/316, 318-322, 328, 328.1, 904;
D6/512-574; D9/711, 730, 733, 734,
D9/739, 751, 753, 754, 772-775, 501,
D9/549, 556, 414, 424, 428, 429, 434,
D9/444, 455, 499; D32/1, 29, 35, 45, 52,
D32/53, 54; D34/39; D23/204, 205;
D99/28, 34; 451/50; 15/21.2
CPC B24B 11/02-10; B24B 31/02-073; A63B
45/00; A63B 47/00; A63B 47/002; A63B
47/005; A63B 47/007; A63B 47/02; A63B
47/04; A63B 2047/043; A63B 2047/046;
A63B 57/20; A63B 71/00; A63B
71/0045; A63B 2102/14; A63B 2225/30
See application file for complete search history.

EP 0066446 A2 * 12/1982 A63B 47/04
WO WO-0143834 A1 * 6/2001 A63B 47/04

Primary Examiner — Catherine A Tuttle
(74) *Attorney, Agent, or Firm* — McHale & Slavin, P.A.

(57) **CLAIM**

The ornamental design for a lacrosse ball resurfacer, as shown and described.

DESCRIPTION

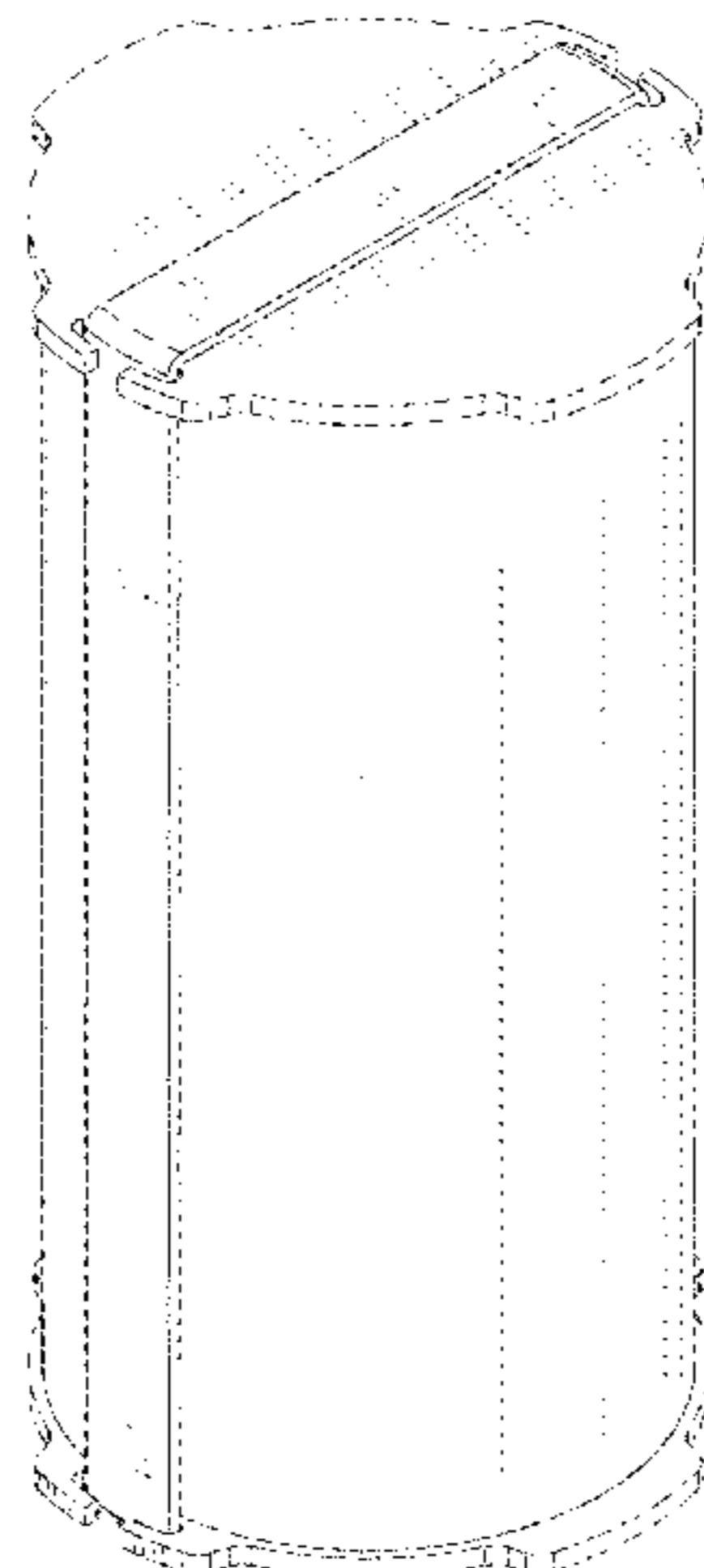
FIG. 1 is a top left isometric view of the lacrosse ball resurfacer of the present invention;
FIG. 2 is a top right isometric view thereof;
FIG. 3 is a left side view thereof;
FIG. 4 is a right side view thereof;
FIG. 5 is a front view thereof;
FIG. 6 is a rear view thereof;
FIG. 7 is a top view thereof;
FIG. 8 is a bottom view thereof;
FIG. 9 is a bottom left isometric view thereof; and,
FIG. 10 is bottom right isometric view thereof.
The portions of the lacrosse ball resurfacer illustrated in broken lines form no part of the claimed subject matter.

1 Claim, 10 Drawing Sheets

(56) **References Cited**

U.S. PATENT DOCUMENTS

179,455 A * 7/1876 Hunter B24B 31/02
451/328
1,469,274 A * 10/1923 King A63B 47/04
15/21.2



(56)

References Cited

U.S. PATENT DOCUMENTS

D286,370	S *	10/1986	Wirts	D3/23
D329,895	S *	9/1992	Chumsae	D23/393
D338,636	S *	8/1993	Moore	D11/152
D366,685	S *	1/1996	Faulk	D21/795
D371,413	S *	7/1996	Crausby	D21/795
5,546,629	A *	8/1996	Shim	A63B 47/04
				134/142
D453,323	S *	2/2002	Conrad	D13/154
D455,925	S *	4/2002	Carlson	D6/531
D477,696	S *	7/2003	Jabbar	D32/1
D519,688	S *	4/2006	Garske	D32/1
D688,530	S *	8/2013	Sanders	D24/197
D696,318	S *	12/2013	Ludwick	D15/138
9,694,250	B2 *	7/2017	Egerton	A63B 47/04
D824,441	S *	7/2018	Fenton	D15/144.2
D825,119	S *	8/2018	Wells	D32/1
2004/0082280	A1 *	4/2004	Lim	A63B 47/04
				451/50
2012/0058715	A1 *	3/2012	Roze	A63B 47/00
				451/50
2014/0038495	A1 *	2/2014	McNall	B24B 11/06
				451/50
2014/0273769	A1 *	9/2014	Jones	B24B 11/02
				451/327
2016/0023318	A1 *	1/2016	Jackson	B24B 11/06
				451/50
2017/0028266	A1 *	2/2017	Mehl	A63B 47/04

* cited by examiner

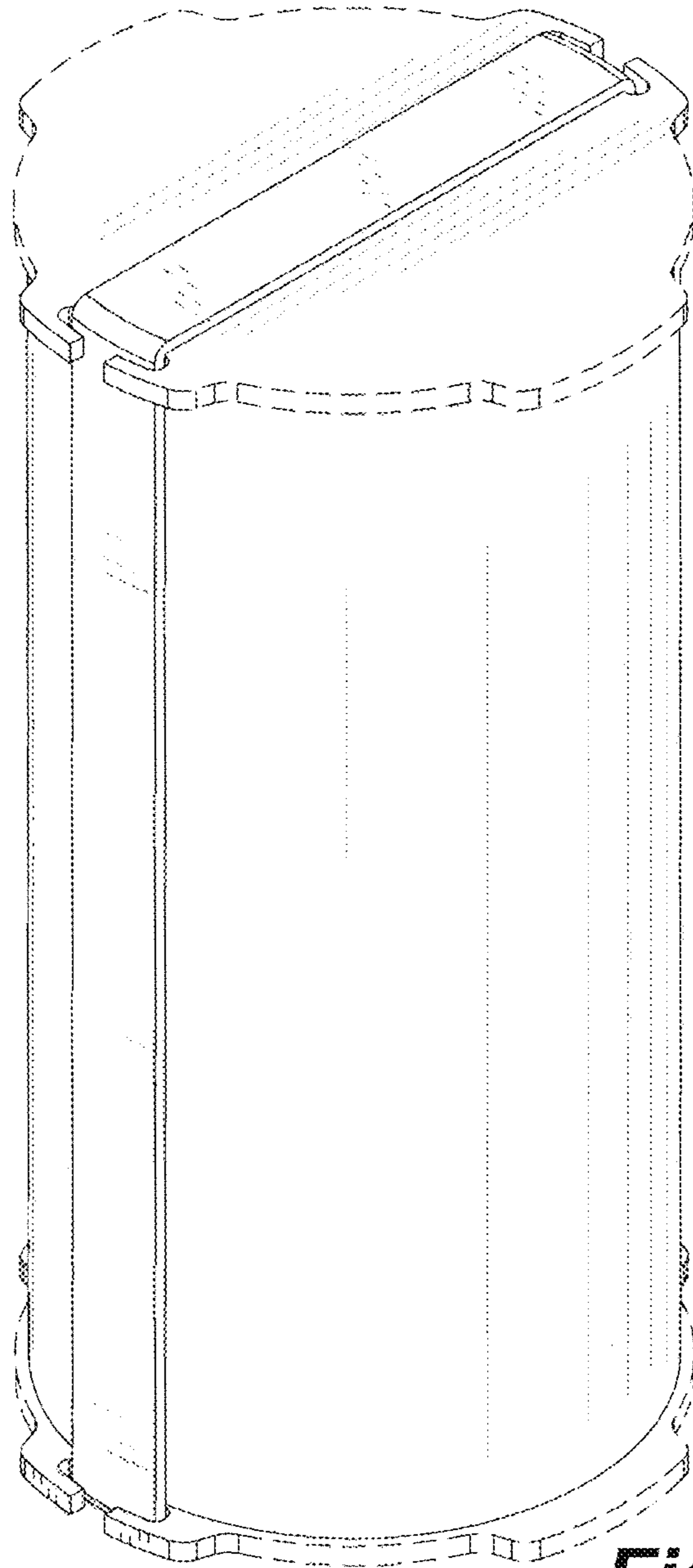


Fig. 1

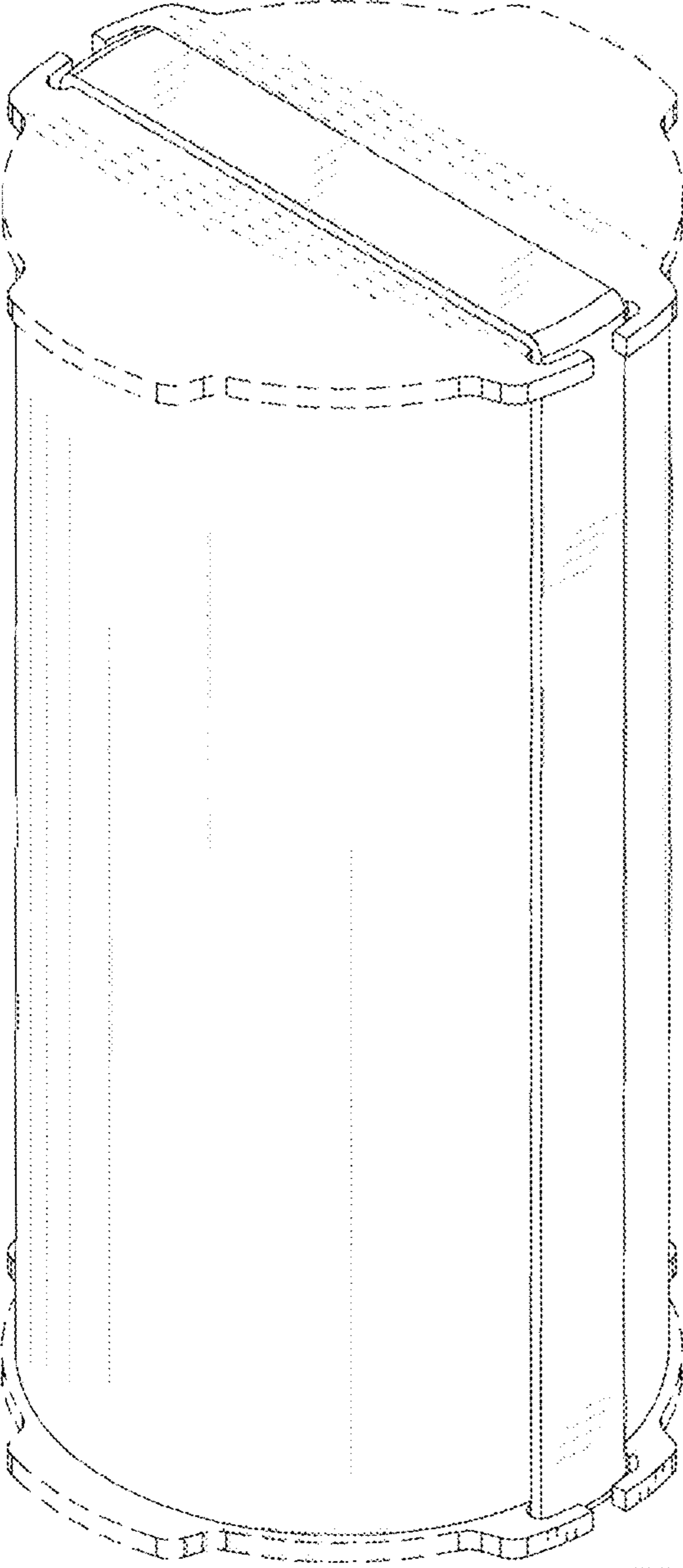


Fig. 2

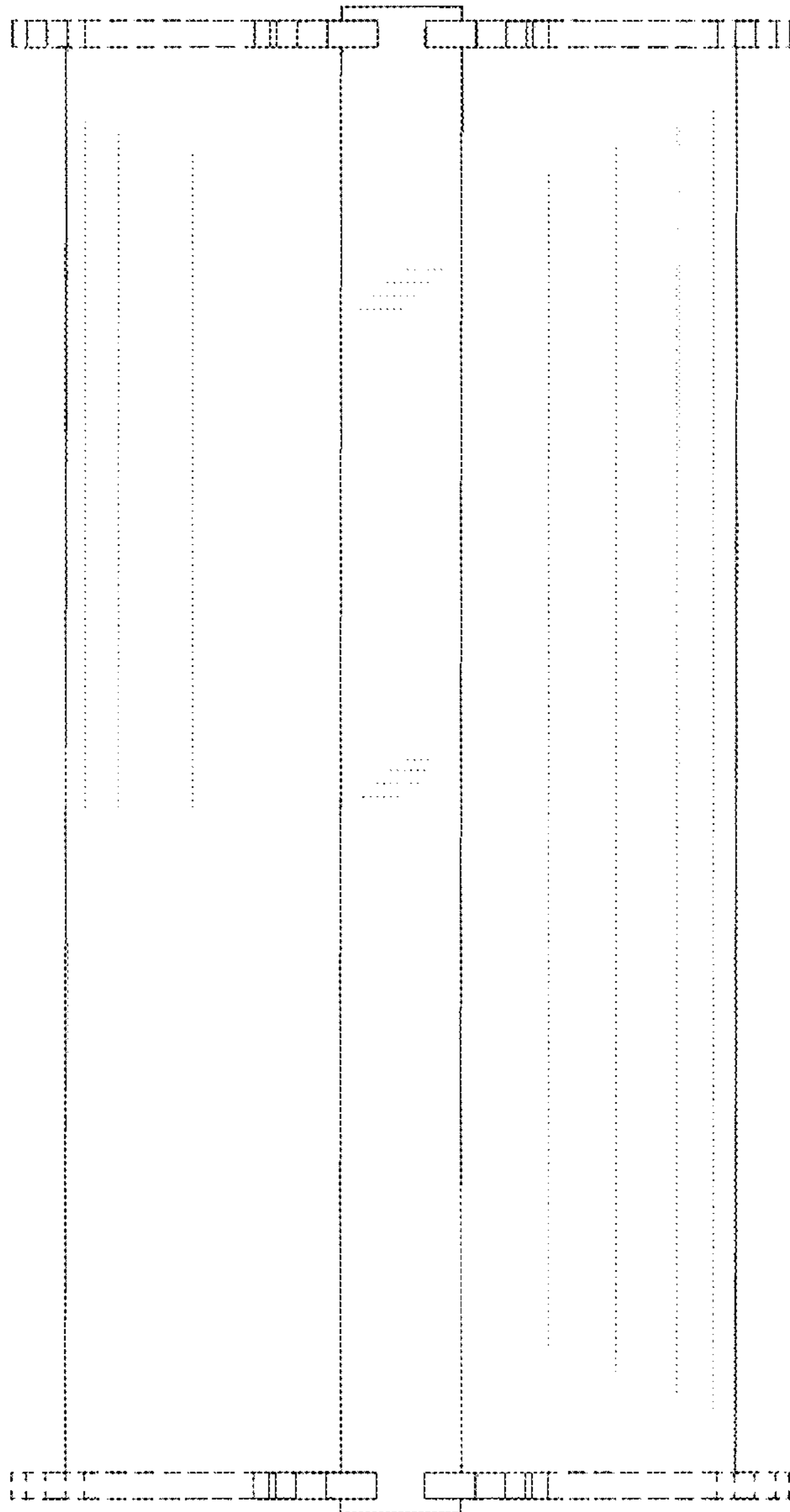


Fig. 3

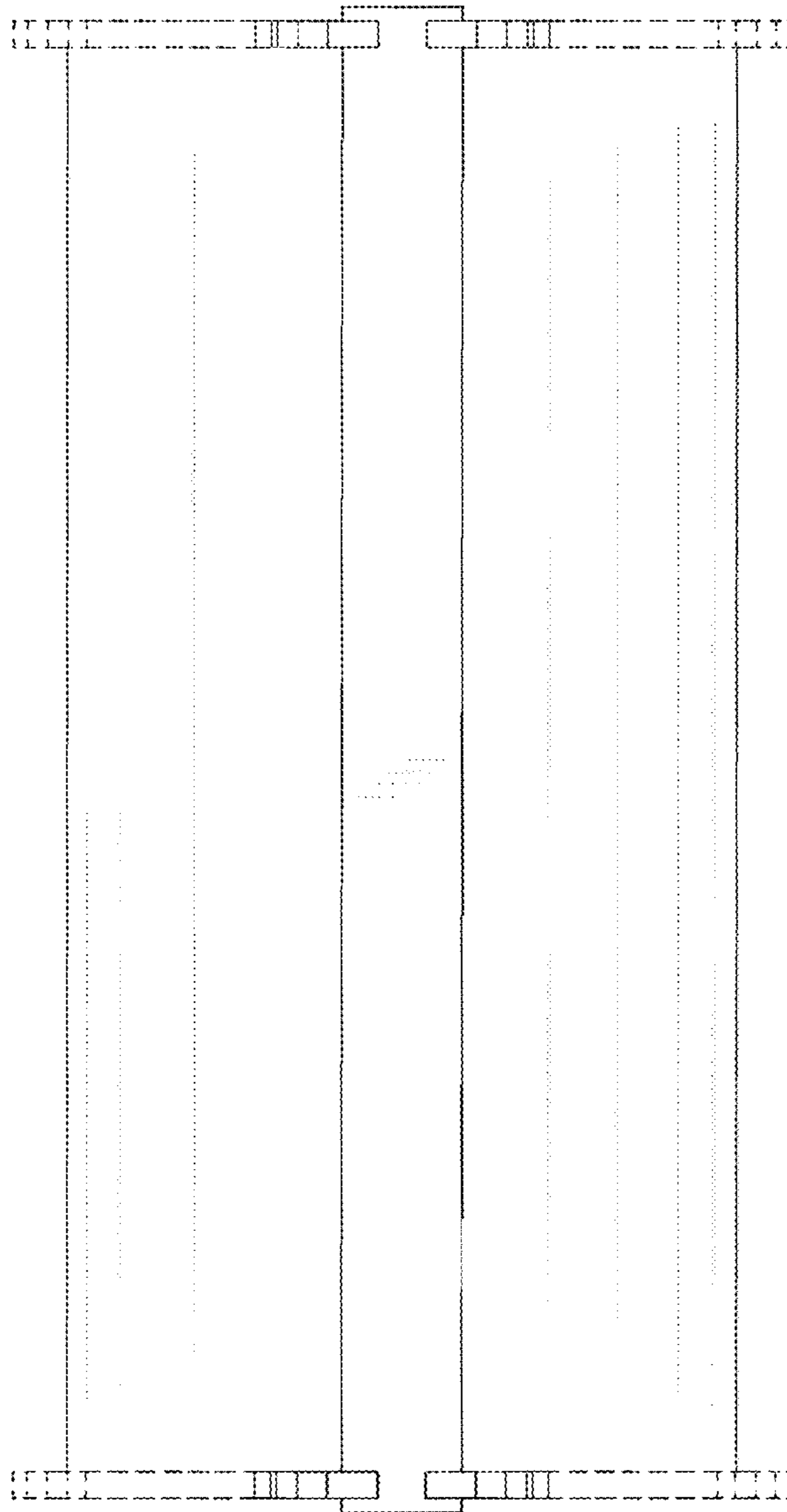


Fig. 4

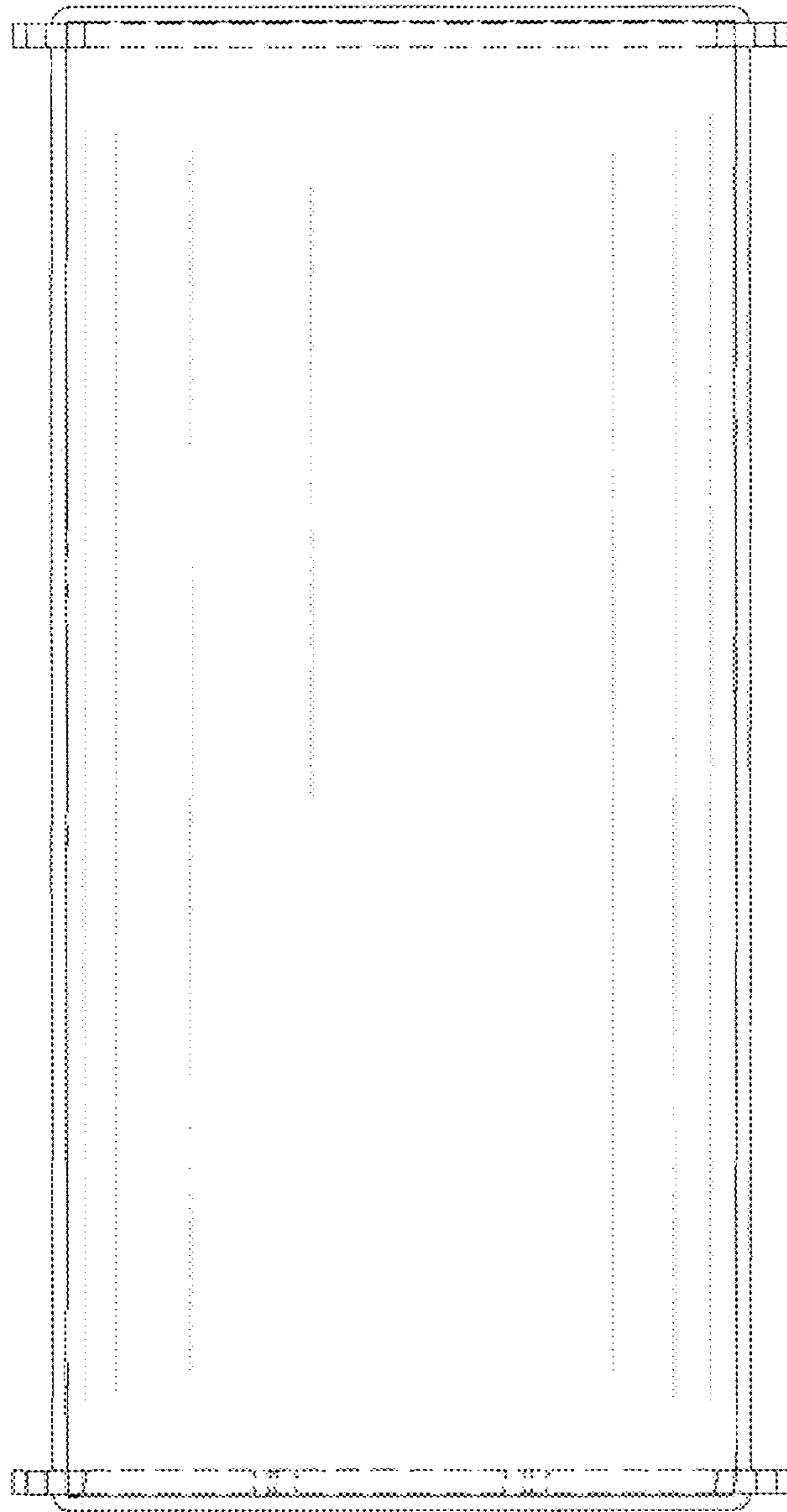


Fig. 5

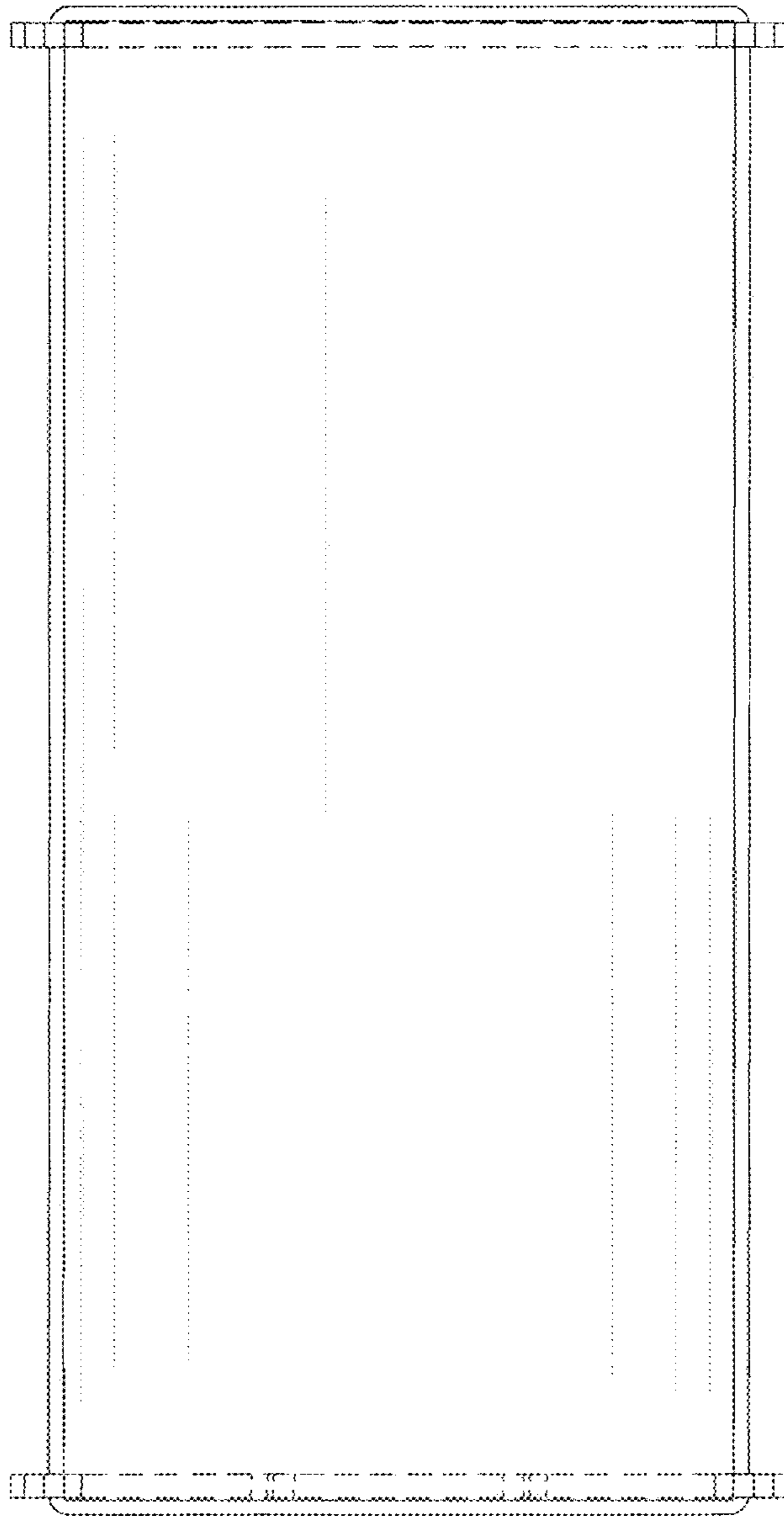


Fig. 6

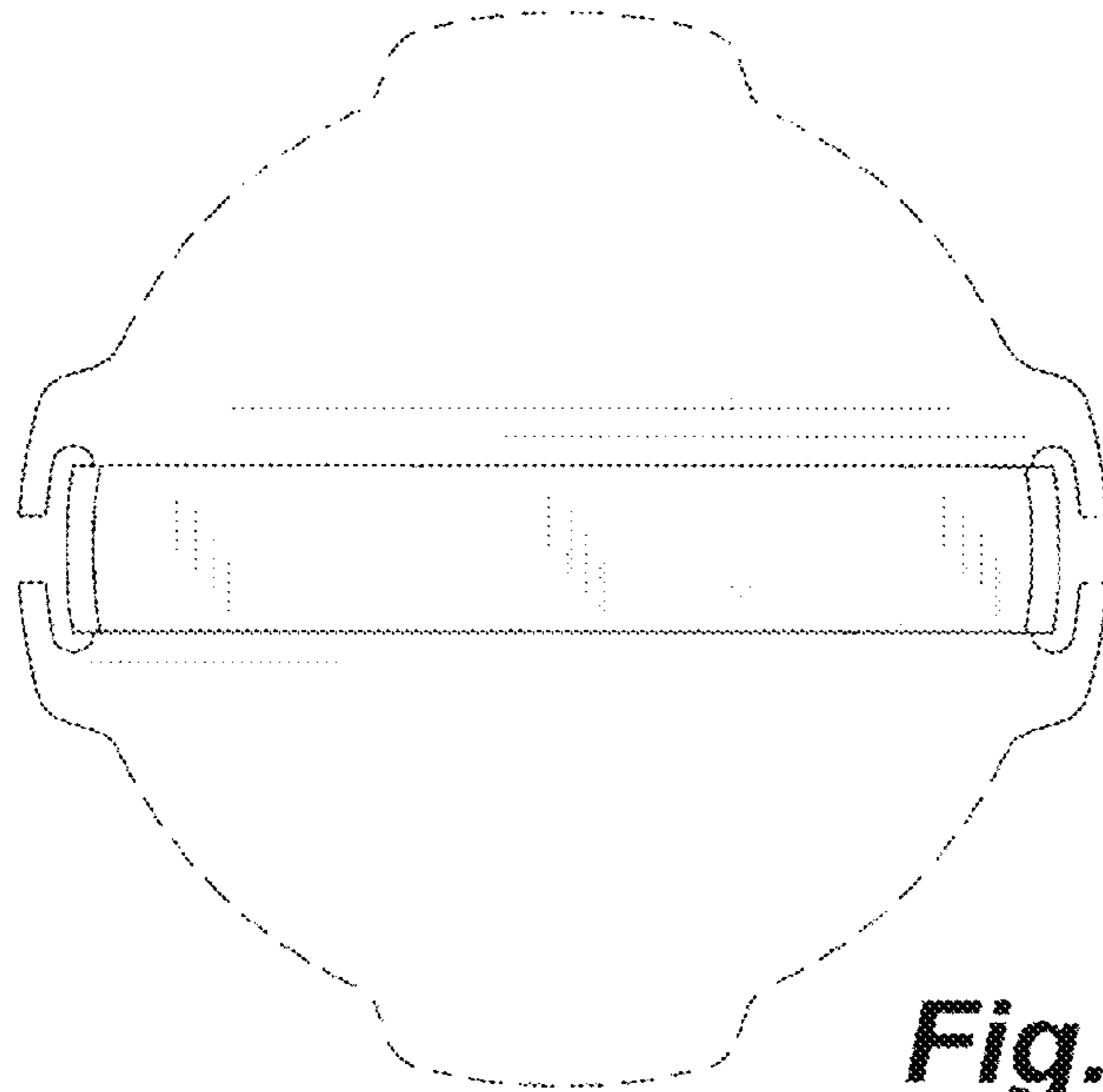


Fig. 7

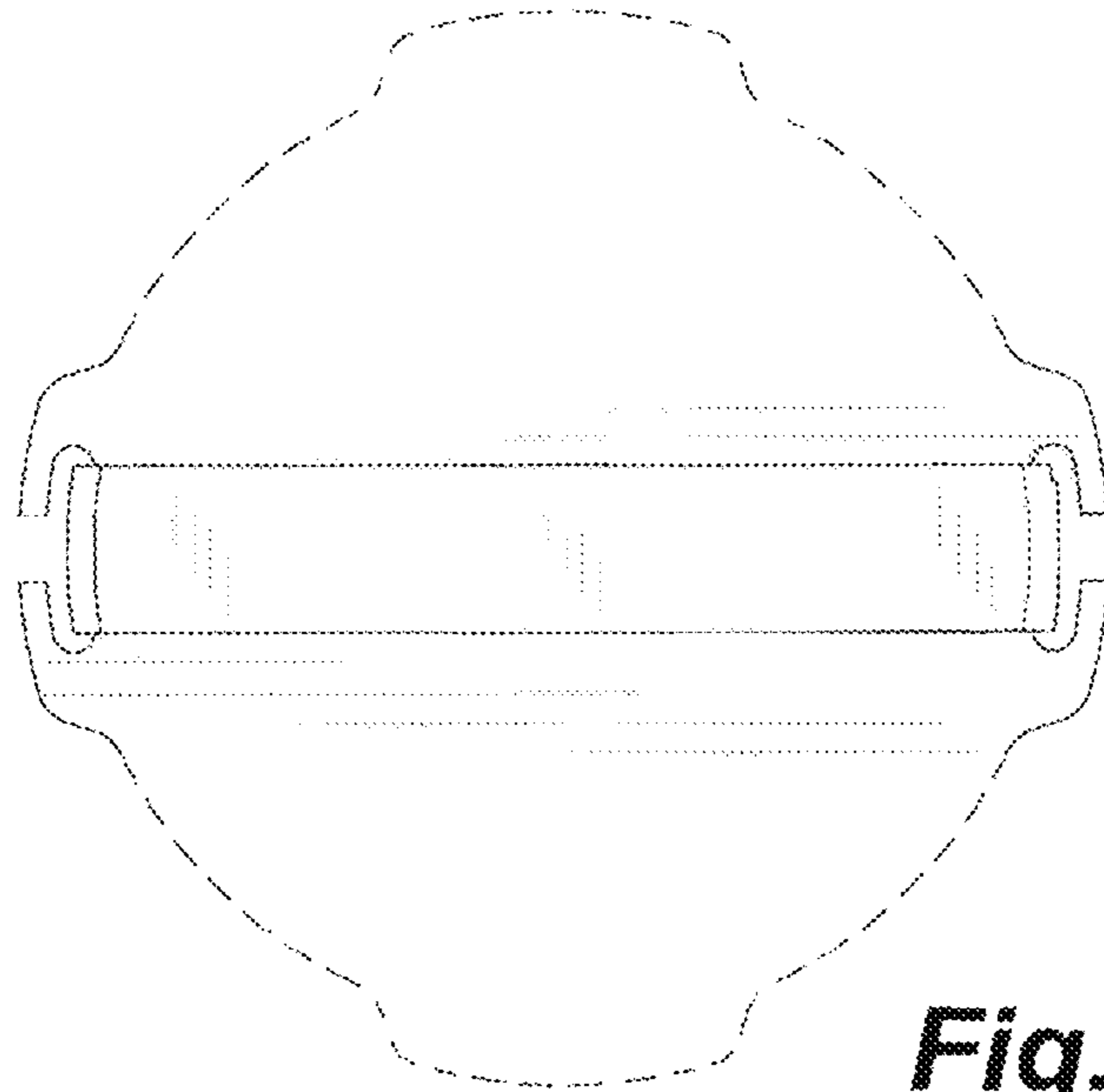


Fig. 8

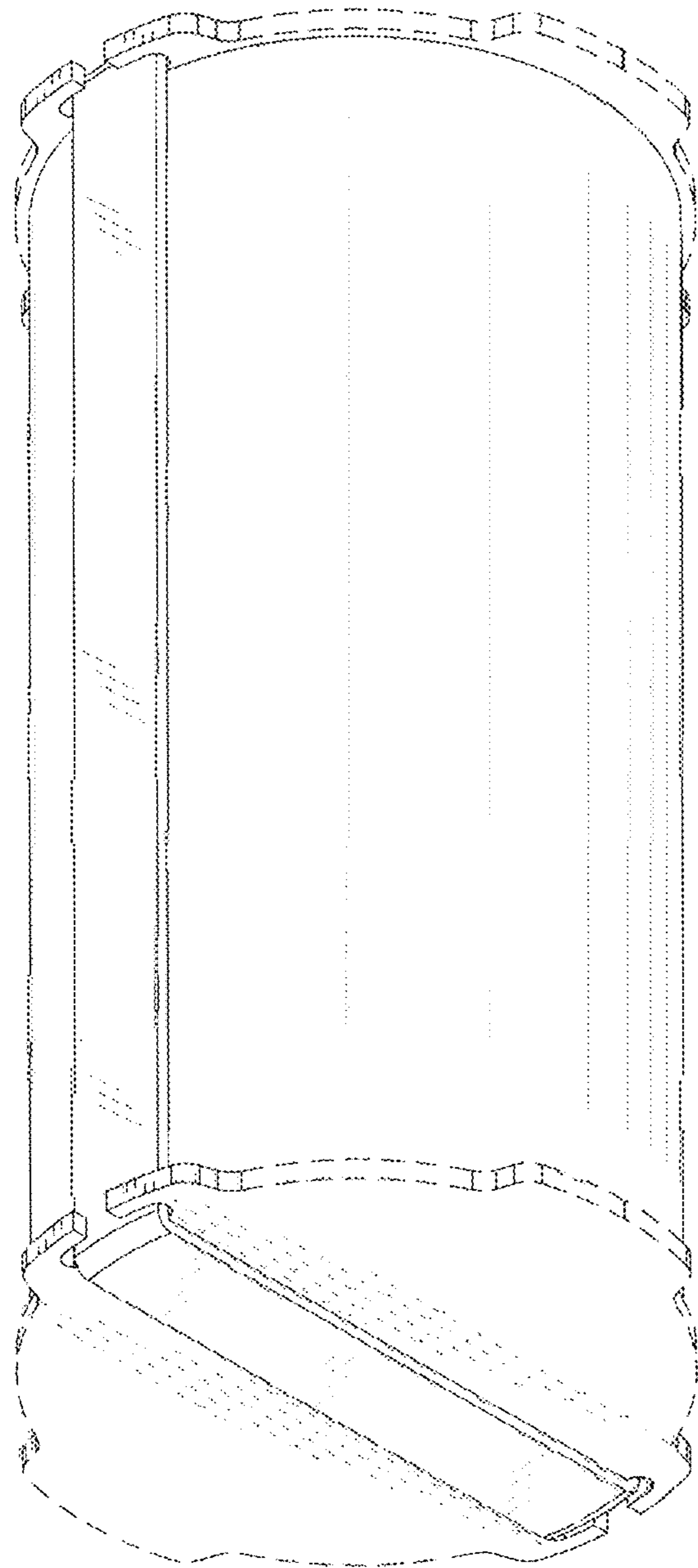


Fig. 9

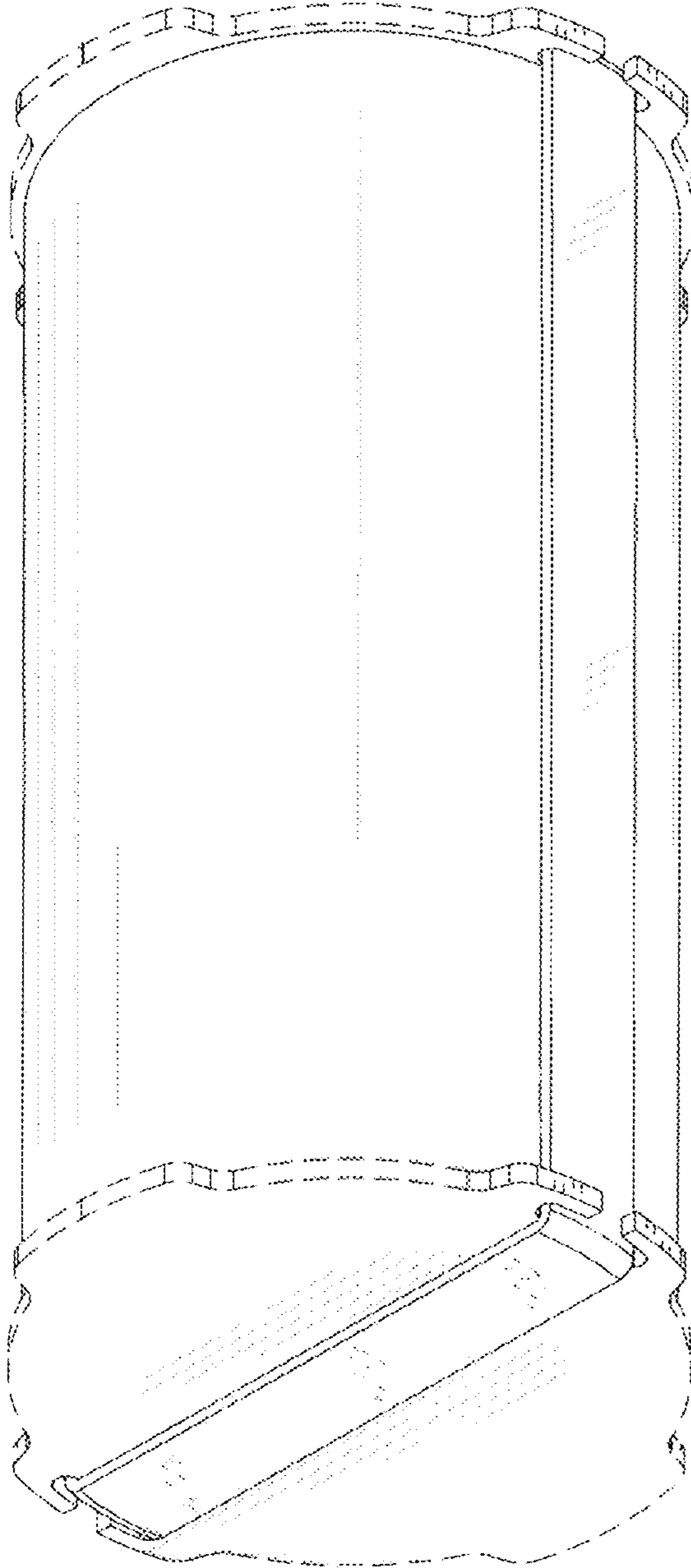


Fig. 10