



US00D873505S

(12) **United States Design Patent** (10) **Patent No.:** **US D873,505 S**
Vilbert et al. (45) **Date of Patent:** **** Jan. 21, 2020**

(54) **PET COLLAR**

(71) Applicant: **AB7 SANTÉ S.A.S.U.**, Deyme (FR)

(72) Inventors: **Arnaud Vilbert**, Baziege (FR);
Giovanni Chabot, Deyme (FR)

(**) Term: **15 Years**

(21) Appl. No.: **29/644,054**

(22) Filed: **Apr. 13, 2018**

(51) **LOC (12) Cl.** **30-04**

(52) **U.S. Cl.**

USPC **D30/152**

(58) **Field of Classification Search**

USPC D30/144, 151, 152, 199; D11/3, 4, 6,
D11/220; D3/207, 218, 327; D2/627,
D2/635, 853, 891

CPC A01K 27/001

See application file for complete search history.

(56) **References Cited**

U.S. PATENT DOCUMENTS

150,325 A * 4/1874 Jaggi D03C 1/22
139/334
181,028 A * 8/1876 Behel F16G 13/02
474/235
448,546 A * 3/1891 Sagelsdorff A01K 27/001
119/863
469,449 A * 2/1892 Kelley F16G 13/14
59/91
2,799,245 A * 7/1957 Ruggiero A01K 27/004
119/794
D454,235 S * 3/2002 Kaplan D30/153

(Continued)

OTHER PUBLICATIONS

“3D Printed Pet Collar.” Found online May 20, 2019 at www.instructables.com. Images dated Aug. 21, 2016.

Retrieved from URL: <https://tineye.com/search/b03609a30596658412165f94c1895ba9b2624278?page=1> (Year: 2016).*

(Continued)

Primary Examiner — Mary Ann Calabrese

Assistant Examiner — Katelin G Kloberg

(74) *Attorney, Agent, or Firm* — Benoit & Côté Inc.

(57) **CLAIM**

We claim the ornamental design for a pet collar, as shown and described.

DESCRIPTION

FIG. 1 is a top, front, right perspective view of a pet collar, showing our new design;

FIG. 2 is a top, rear, right side perspective view thereof;

FIG. 3 is a top, rear, left side perspective view thereof;

FIG. 4 is a top plan view thereof;

FIG. 5 is a bottom plan view thereof;

FIG. 6 is a left side elevation view thereof;

FIG. 7 is a right side elevation view thereof;

FIG. 8 is a rear elevation view thereof;

FIG. 9 is a front elevation view thereof;

FIG. 10 is an enlarged top, front, right side perspective view of the buckle;

FIG. 11 is an enlarged bottom, front right side perspective view thereof;

FIG. 12 is an enlarged rear elevation view thereof;

FIG. 13 is an enlarged front elevation view thereof;

FIG. 14 is a second enlarged bottom, front, right side perspective view thereof;

FIG. 15 is a second enlarged top, front, right side perspective view thereof;

FIG. 16 is an enlarged top plan view thereof;

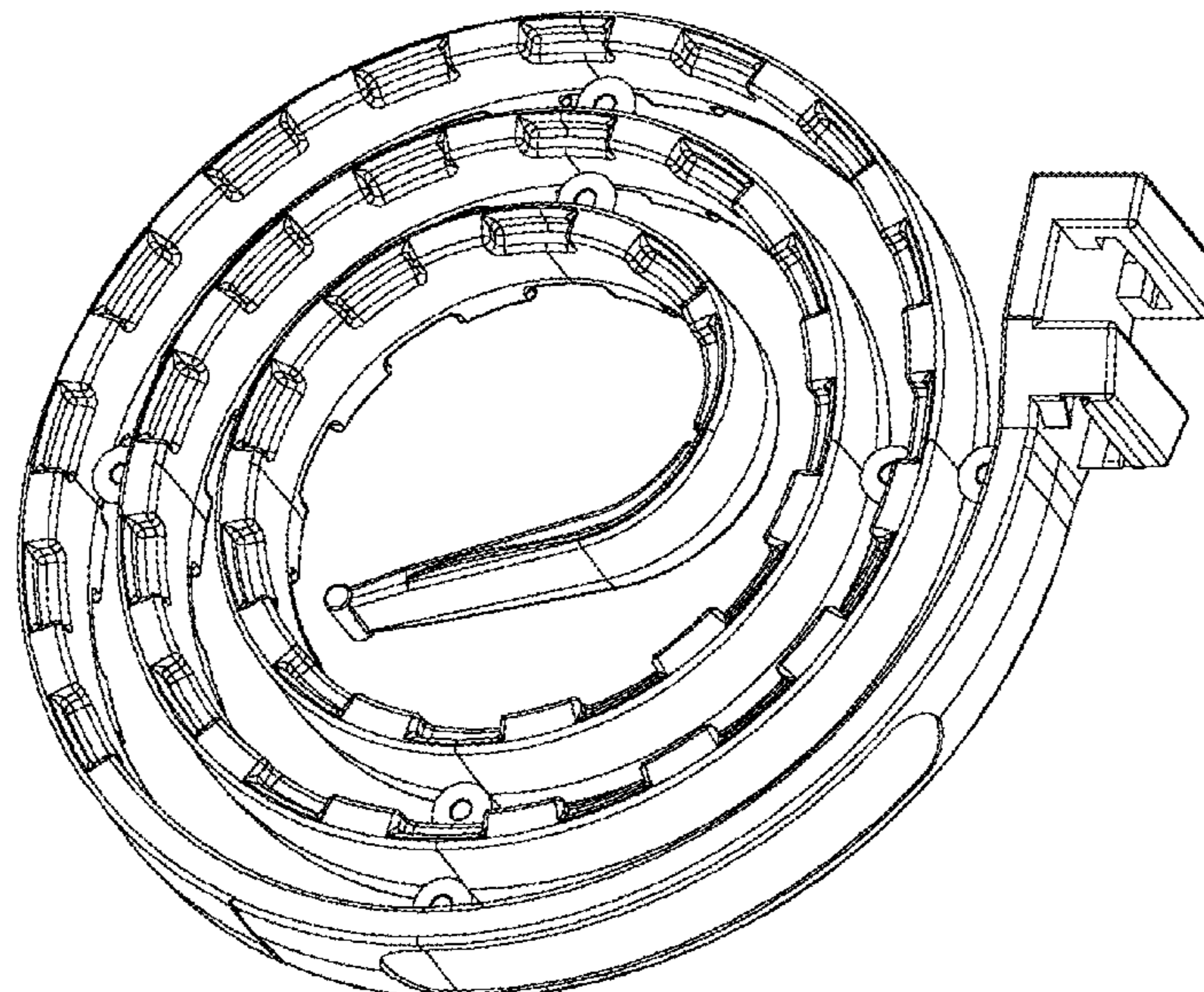
FIG. 17 is an enlarged bottom plan view thereof;

FIG. 18 is an enlarged rear elevation view thereof;

FIG. 19 is an enlarged front elevation view thereof; and,

FIG. 20 is an enlarged rear, bottom perspective view thereof.

1 Claim, 15 Drawing Sheets



(56)

References Cited

U.S. PATENT DOCUMENTS

6,606,967 B1 * 8/2003 Wolfe, Jr. A01K 15/02
119/856
D518,247 S * 3/2006 Huling D30/153
D544,677 S * 6/2007 Wuolu, Jr. D2/627
D649,721 S * 11/2011 de Socio D30/152
D651,769 S * 1/2012 Farrell D30/153
8,356,579 B2 * 1/2013 Sullivan A01K 27/001
119/862
D703,878 S * 4/2014 Hieber D30/152
D842,610 S * 3/2019 Bontia D3/327
2006/0277894 A1 * 12/2006 Lin A01K 27/001
59/80

OTHER PUBLICATIONS

“Filament is Forever—Jenny’s Wedding.” Found online May 20, 2019 at www.makerbot.com. Page dated Jul. 10, 2013. Retrieved from URL: <https://www.makerbot.com/stories/news/filament-is-forever-jennys-wedding/> (Year: 2013).*

“Barry Kieselstein-Cord Sterling and Leather Dog Collar.” Found online May 20, 2019 at www.1stdibs.com. Date product manufactured 1999. Retrieved from URL: <https://www.1stdibs.com/jewelry/more-jewelry-watches/more-jewelry/barry-kieselstein-cord-sterling-leather-dog-collar/id-j-1339673/> (Year: 1999).*

“3D Printer Building House.” Found online May 20, 2019 at grabcad.com. Image uploaded Apr. 27, 2018. Retrieved from URL: <https://grabcad.com/library/3d-printer-building-house-1> (Year: 2018).*

* cited by examiner

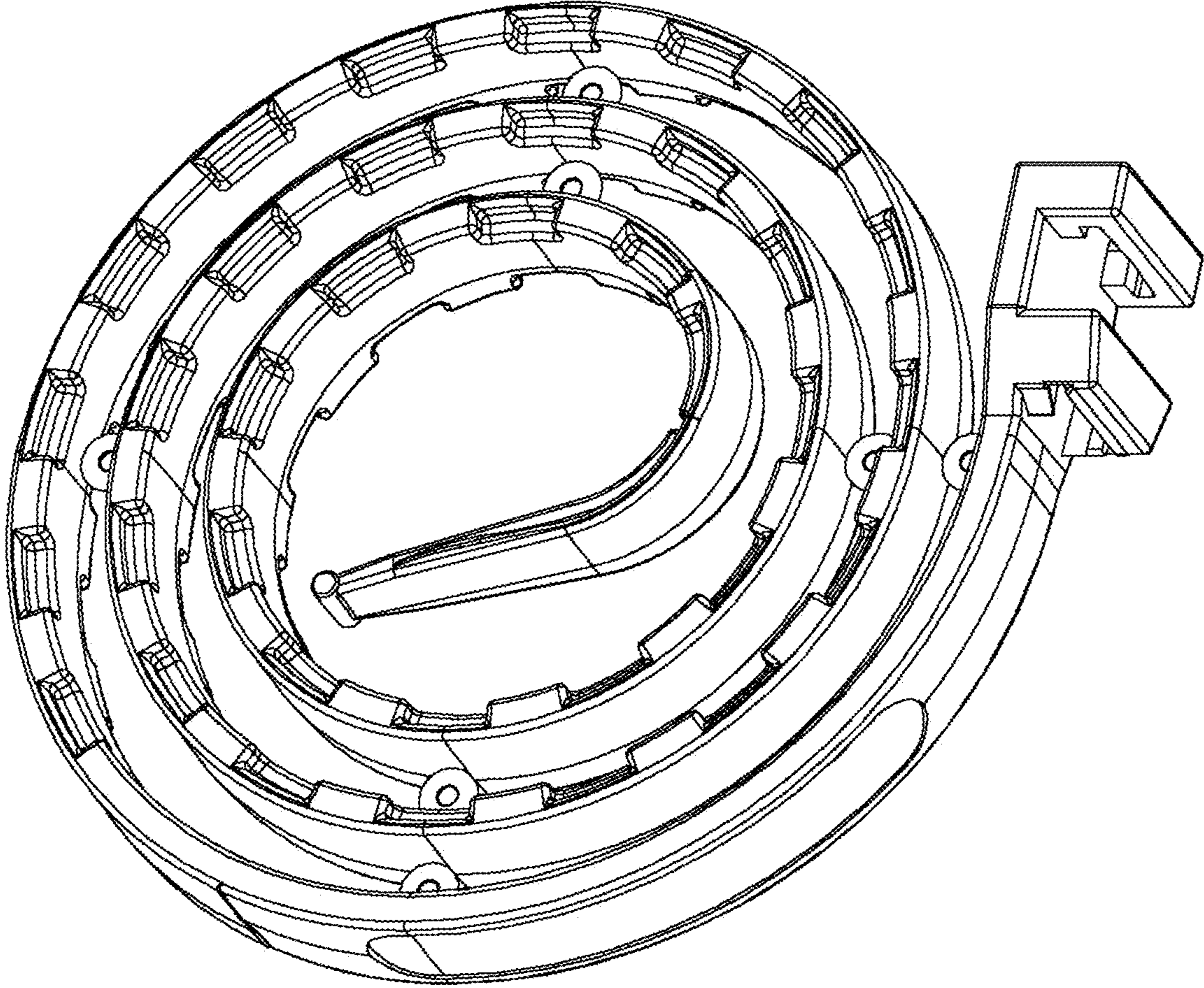


FIGURE 1

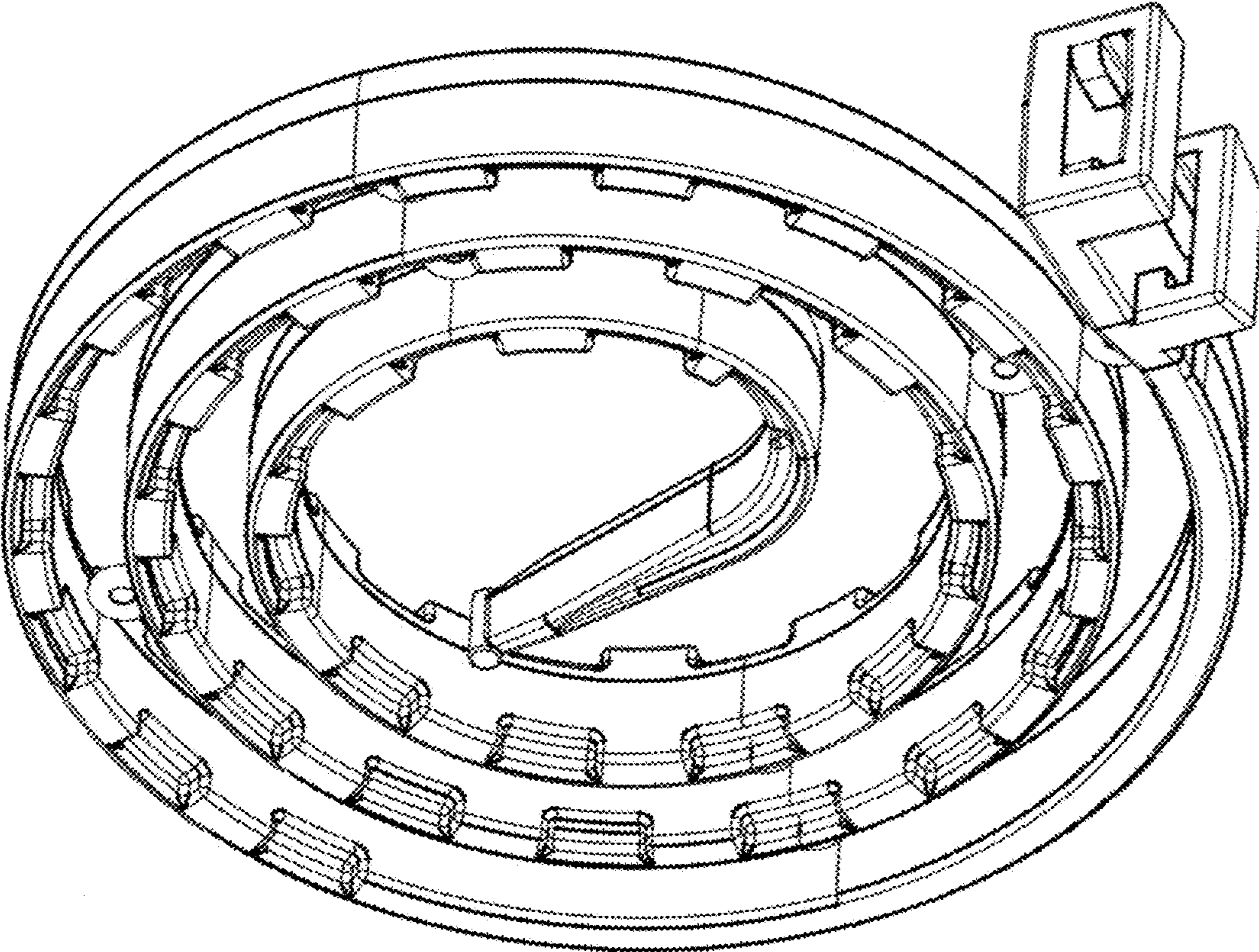


FIGURE 2

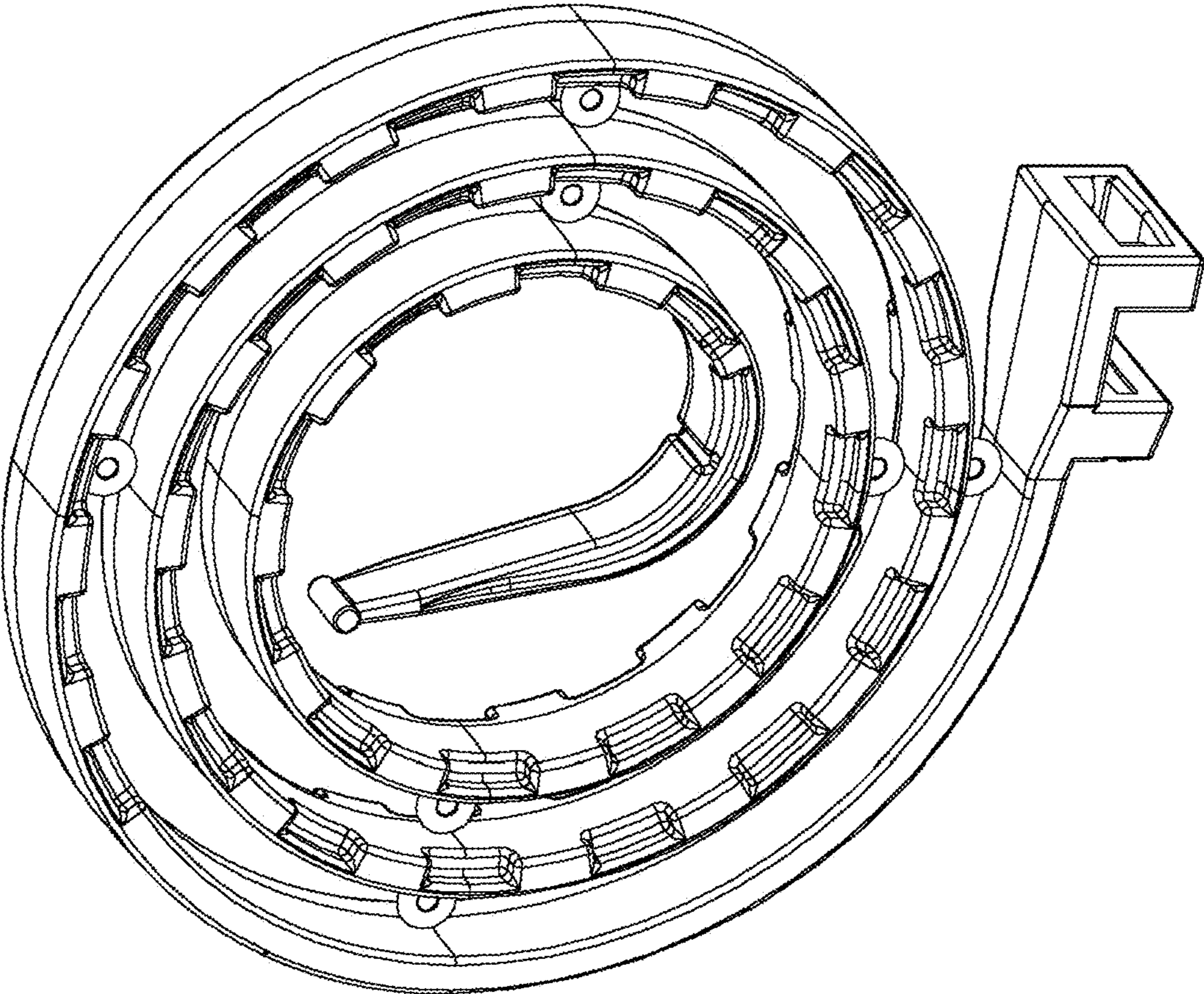


FIGURE 3

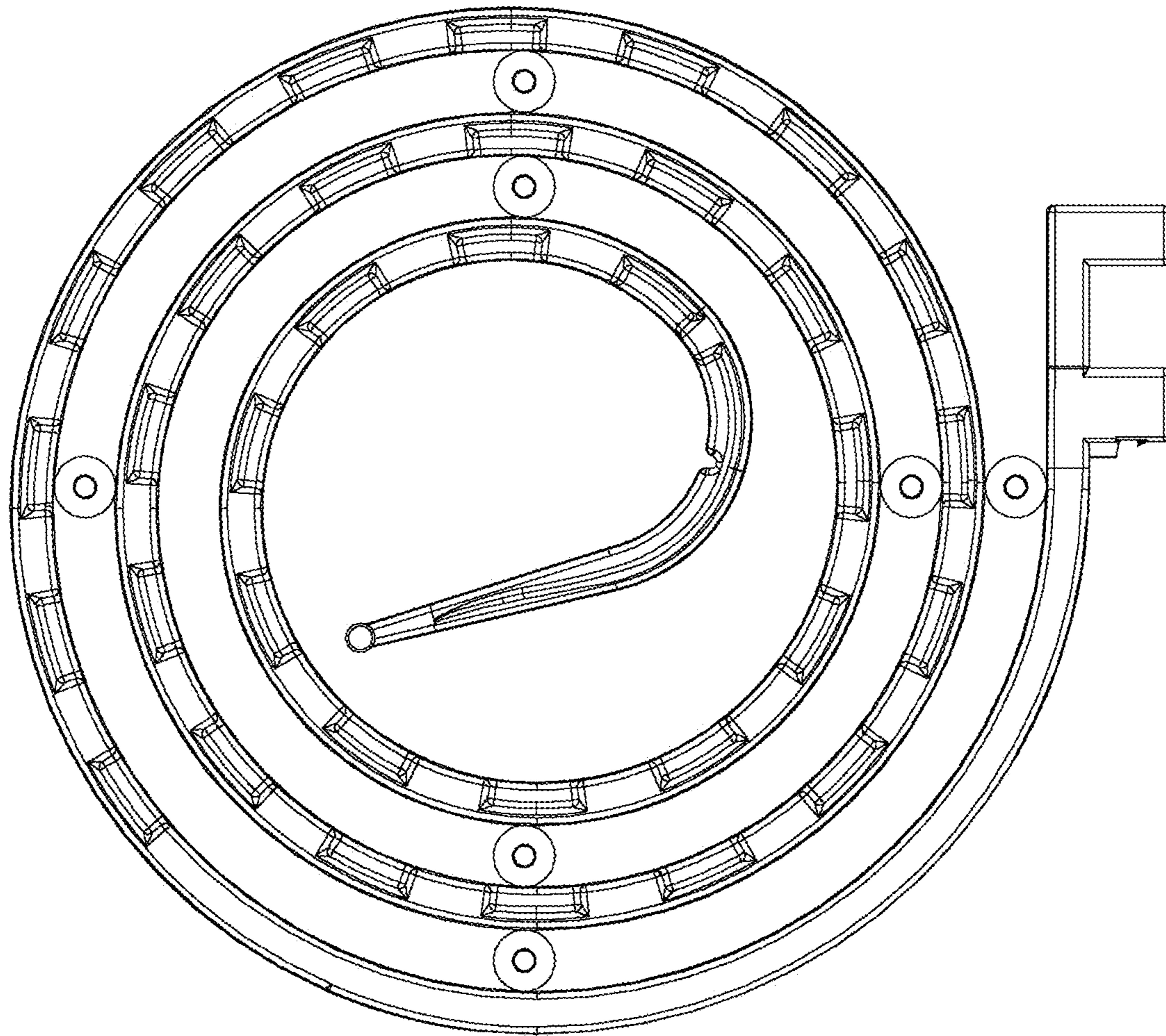


FIGURE 4

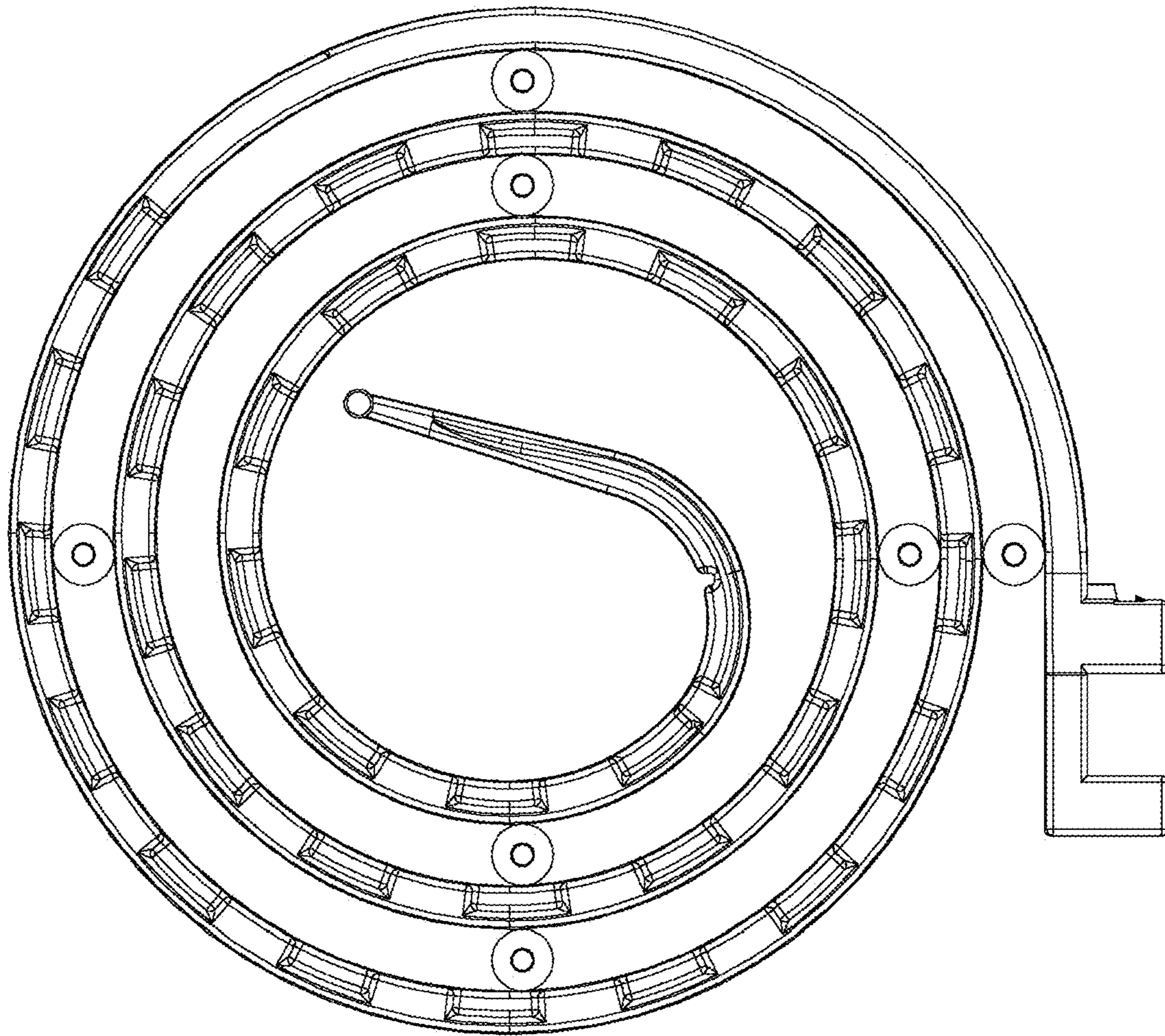


FIGURE 5

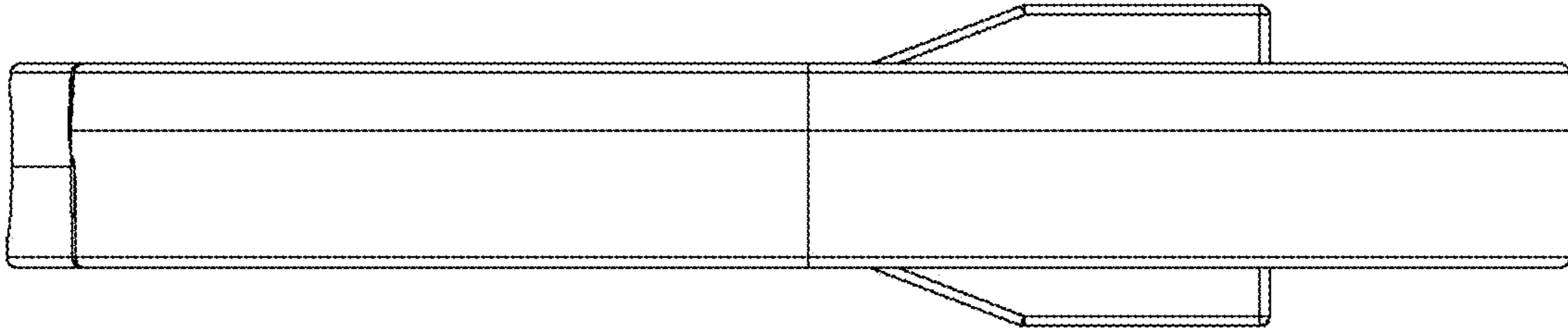


FIGURE 6

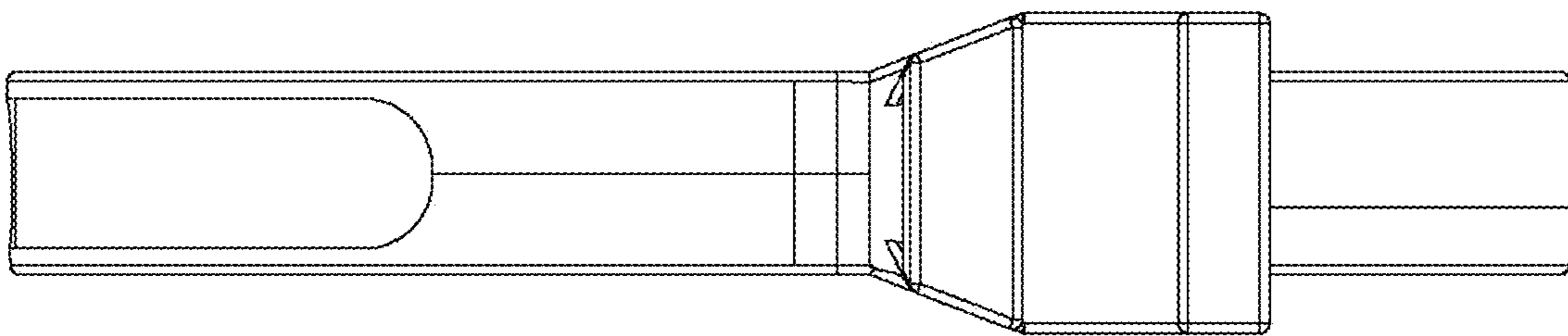


FIGURE 7

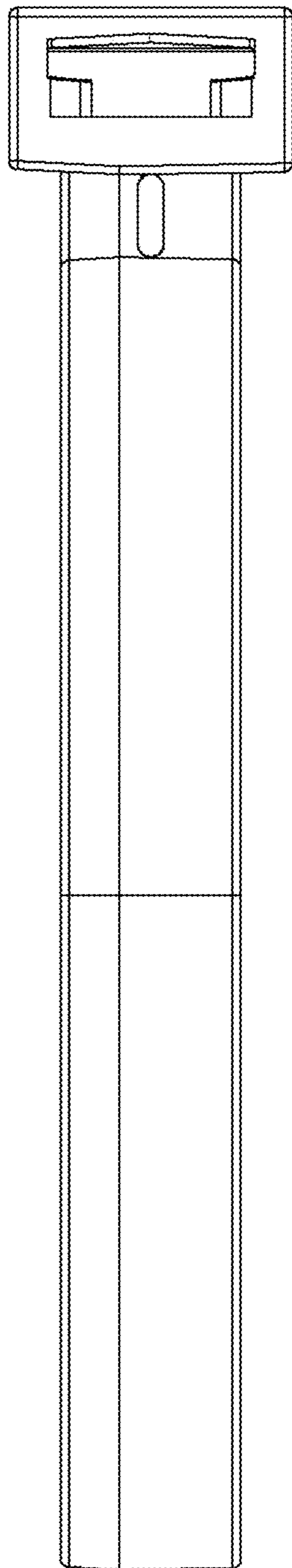


FIGURE 8

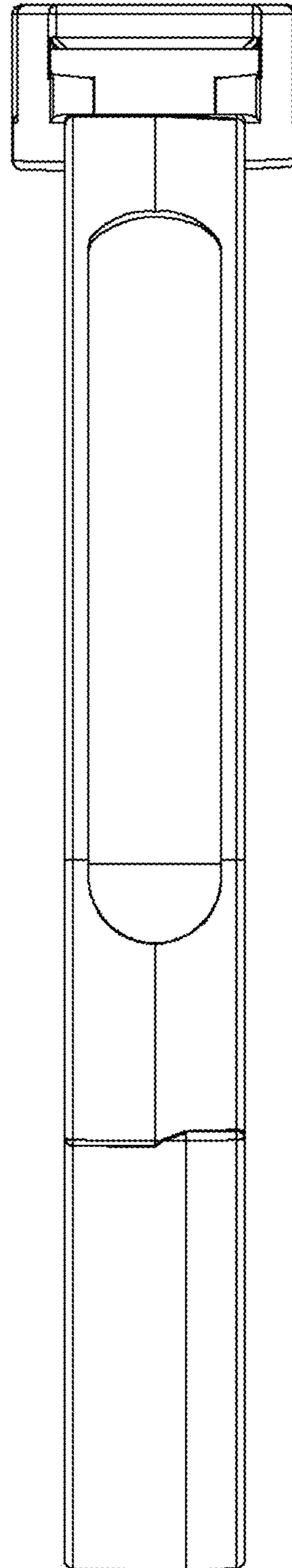


FIGURE 9

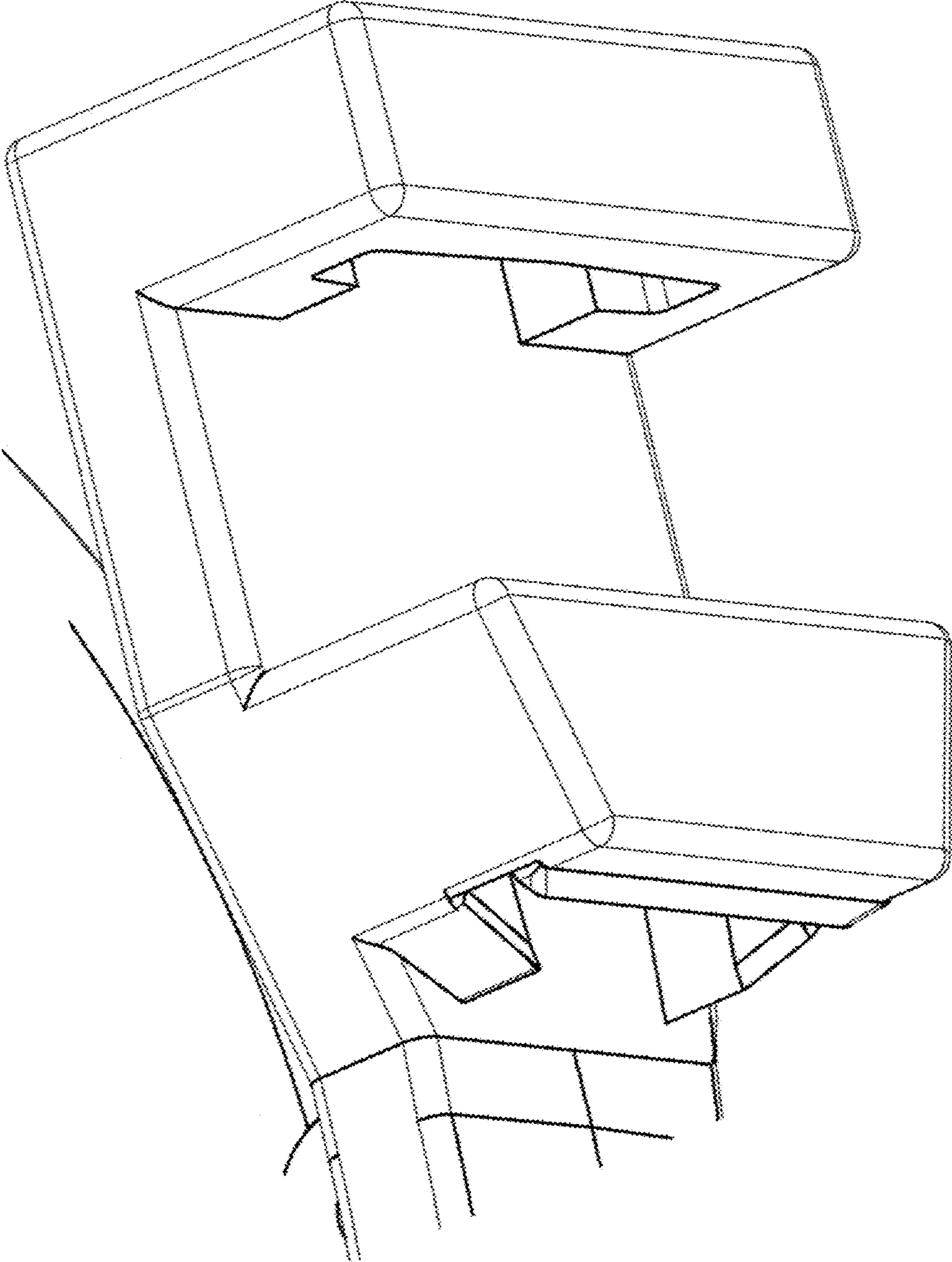


FIGURE 10

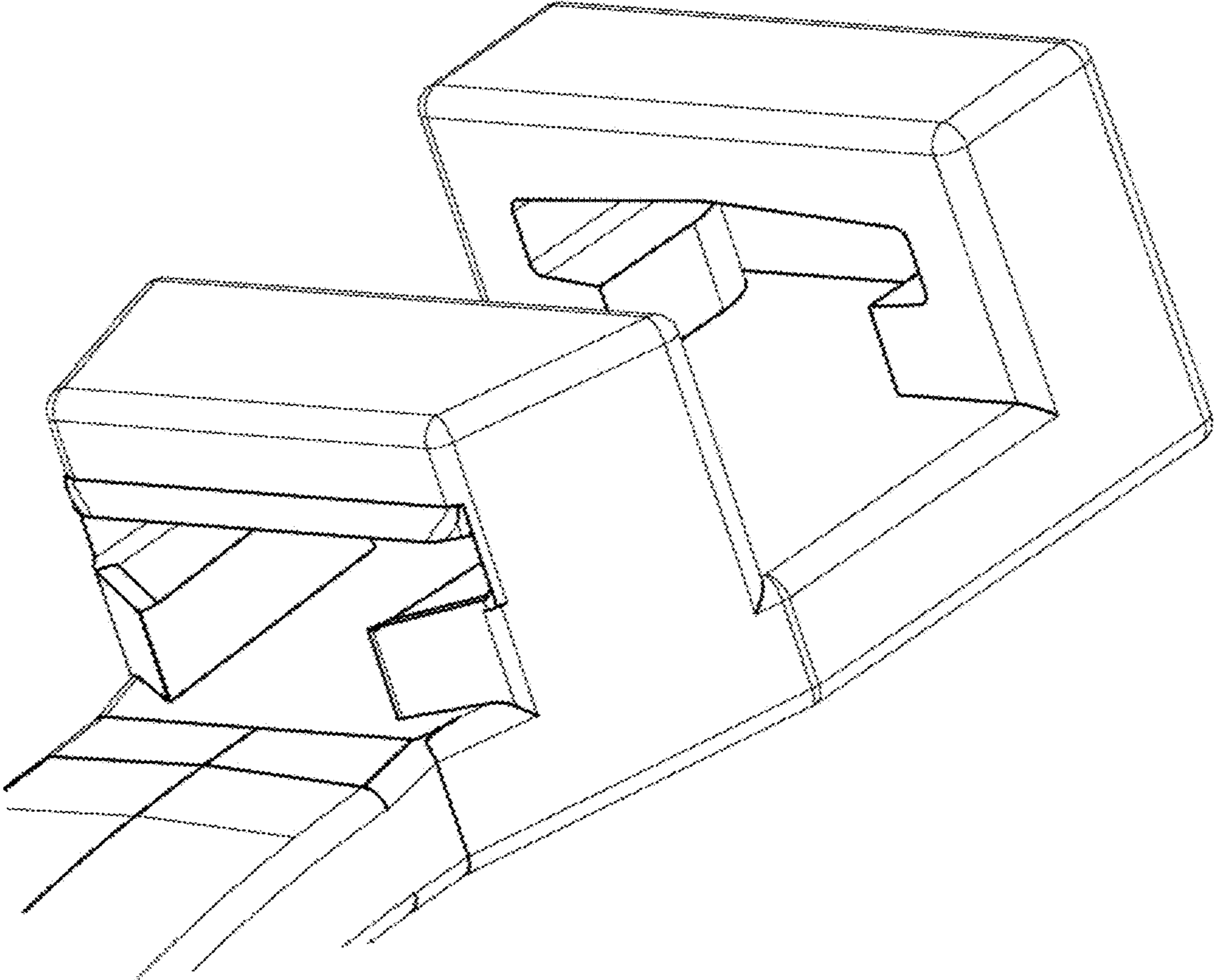


FIGURE 11

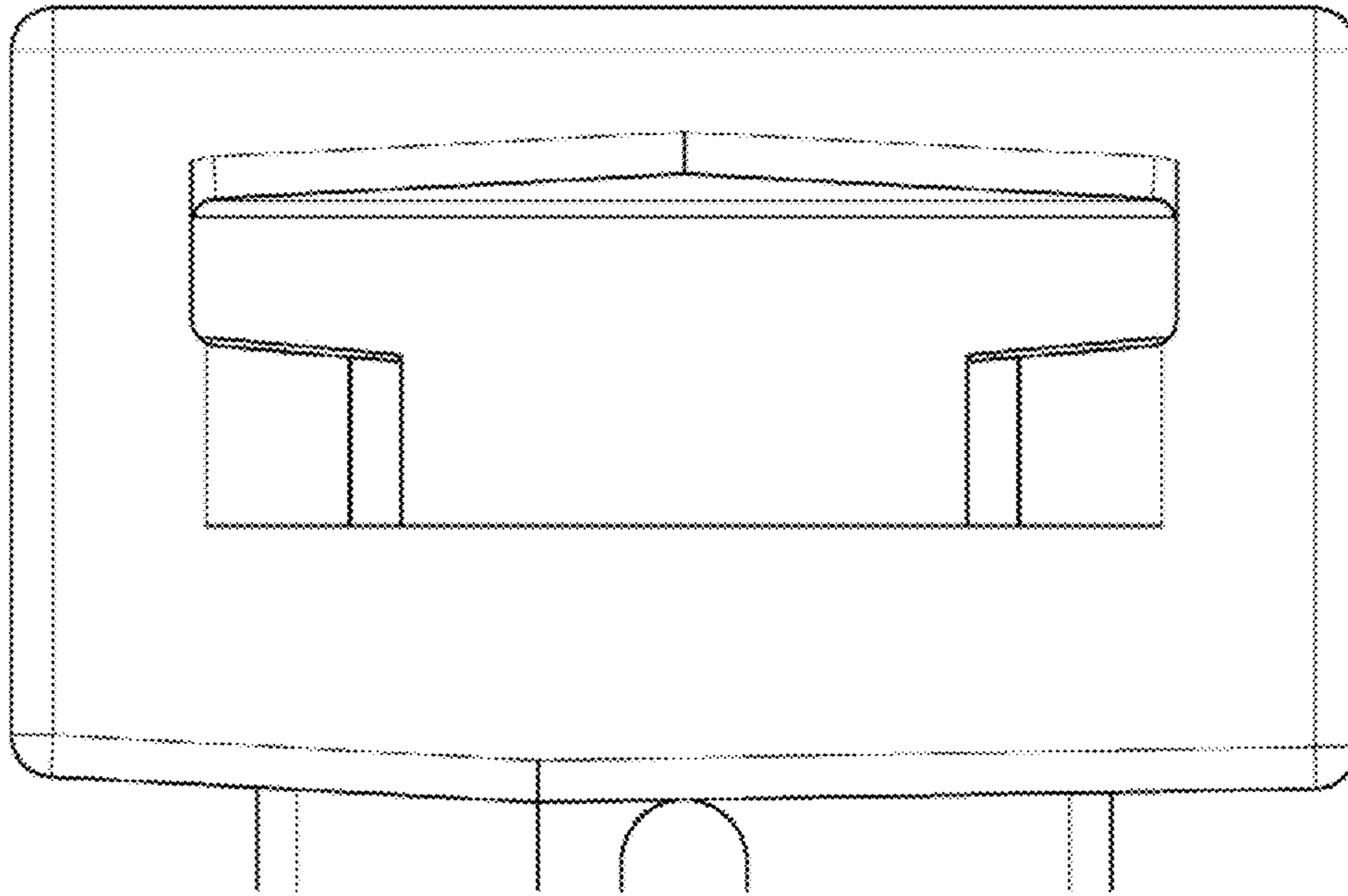


FIGURE 12

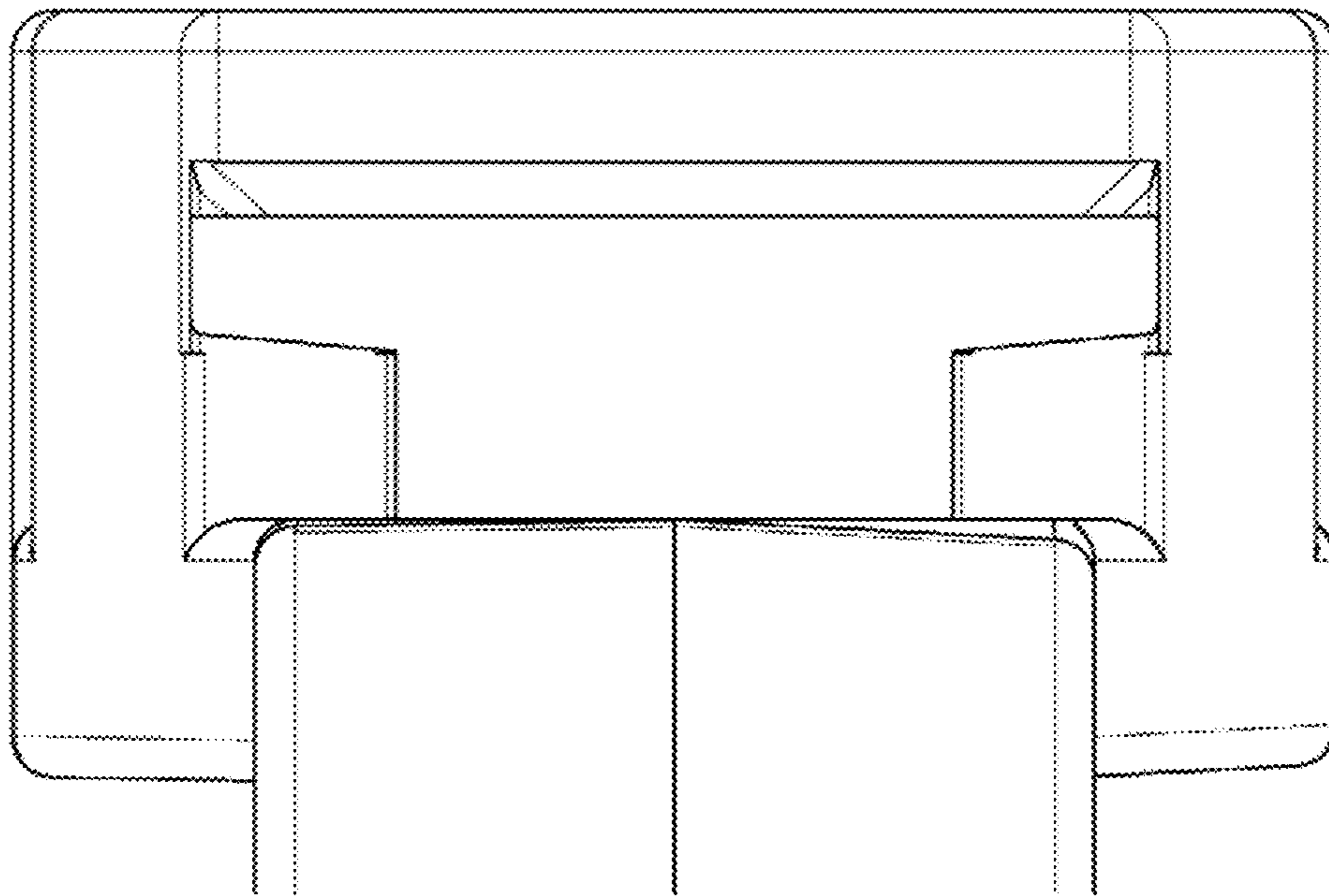


FIGURE 13

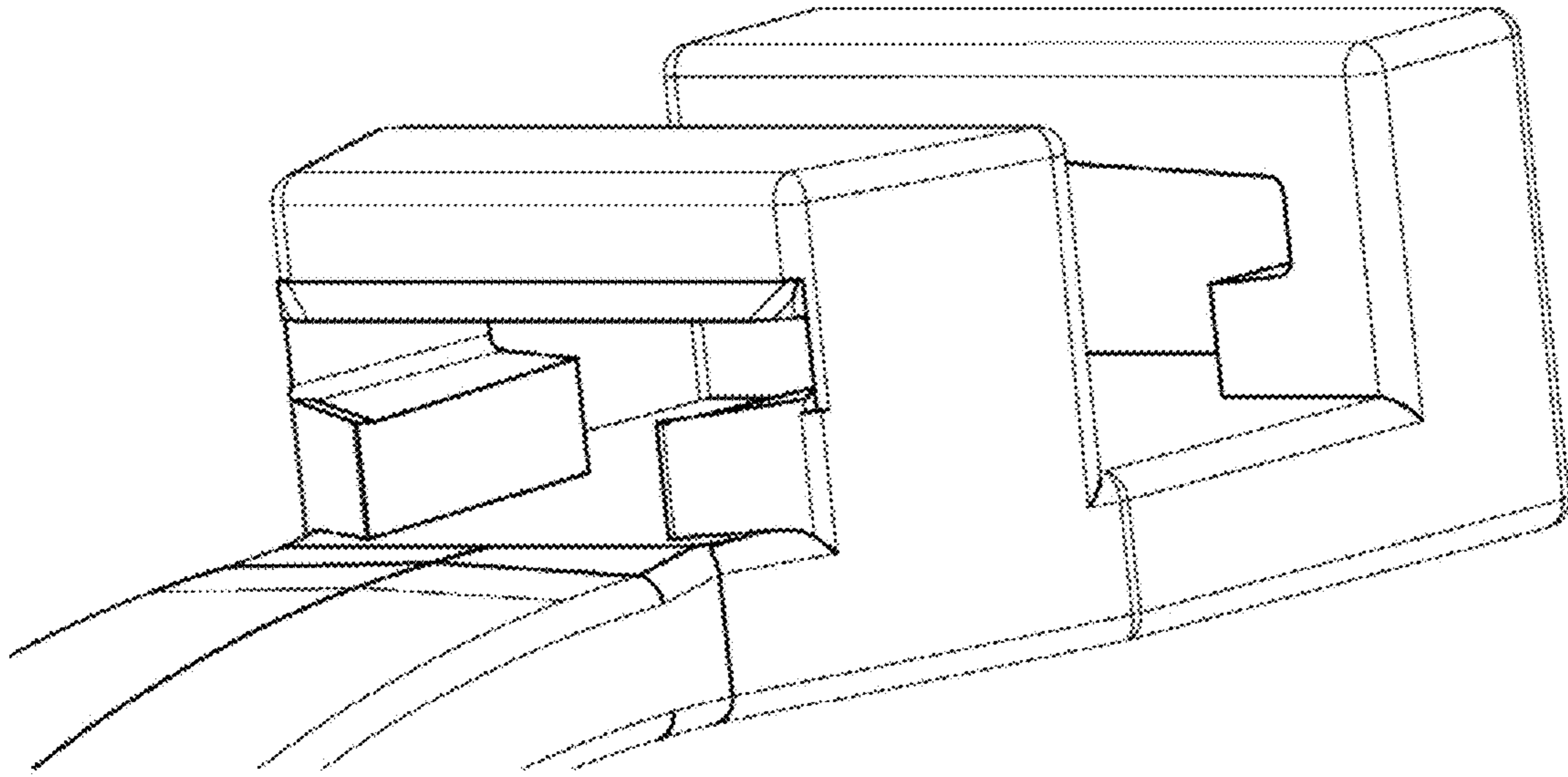


FIGURE 14

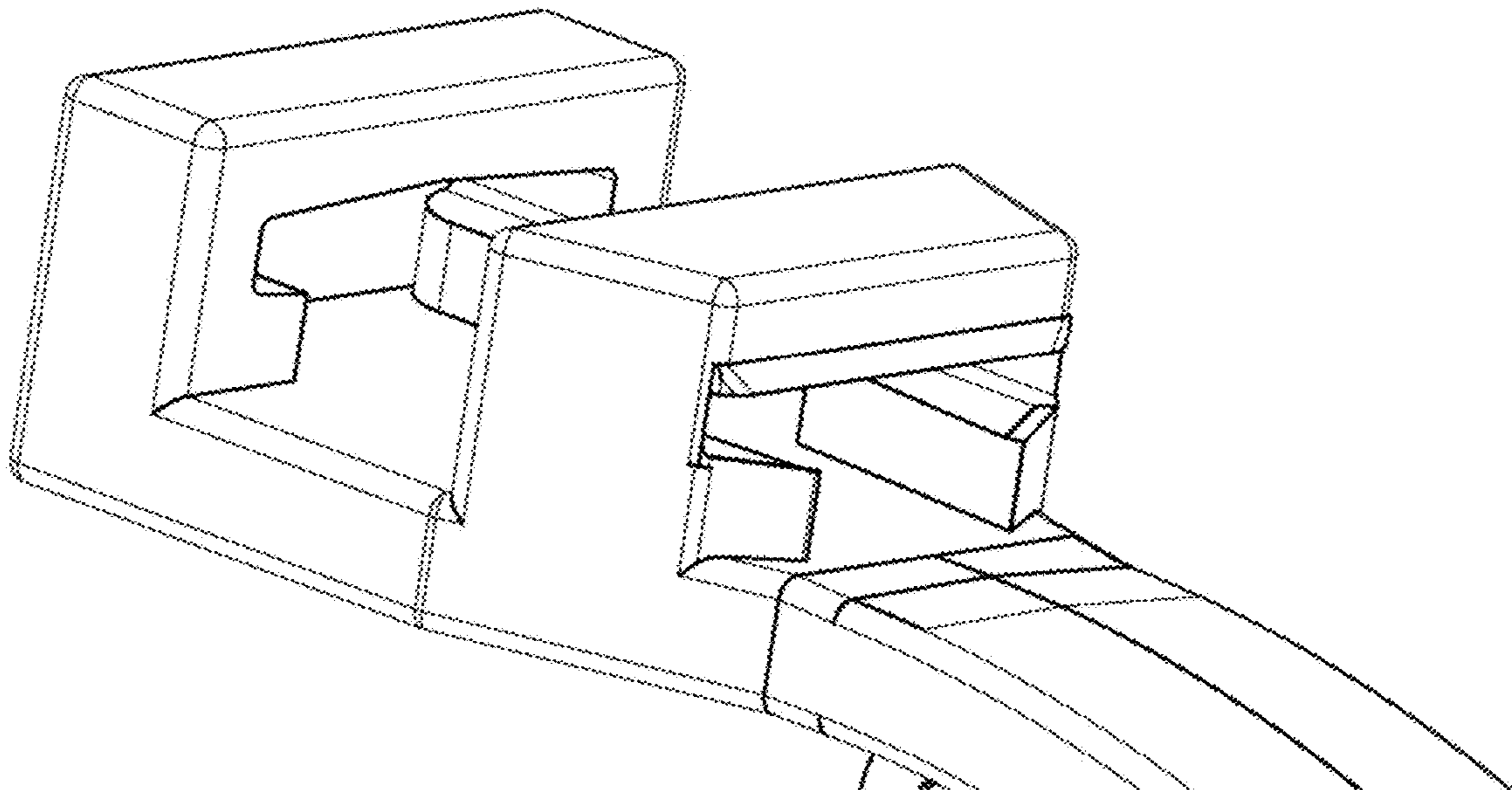


FIGURE 15

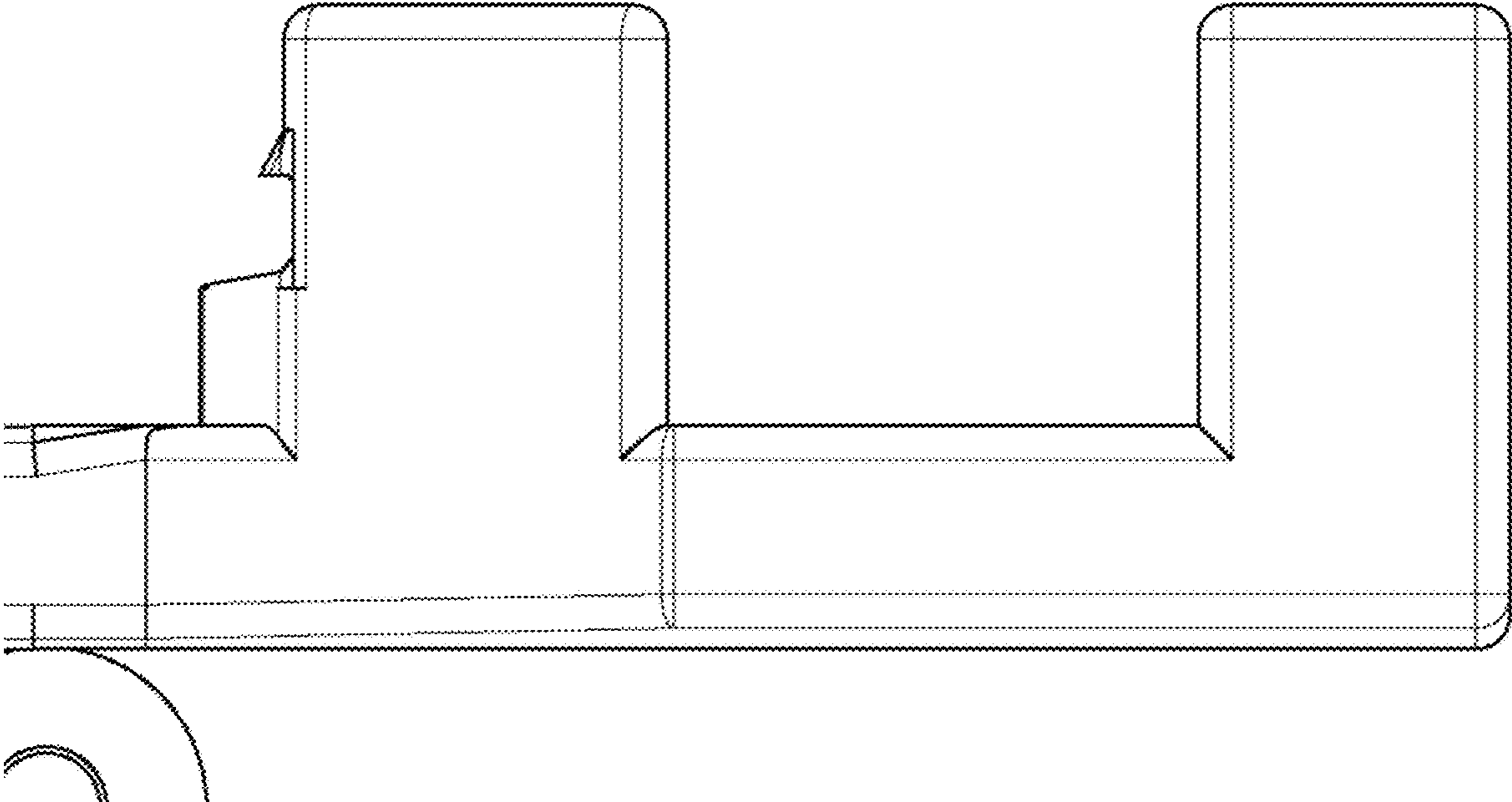


FIGURE 16

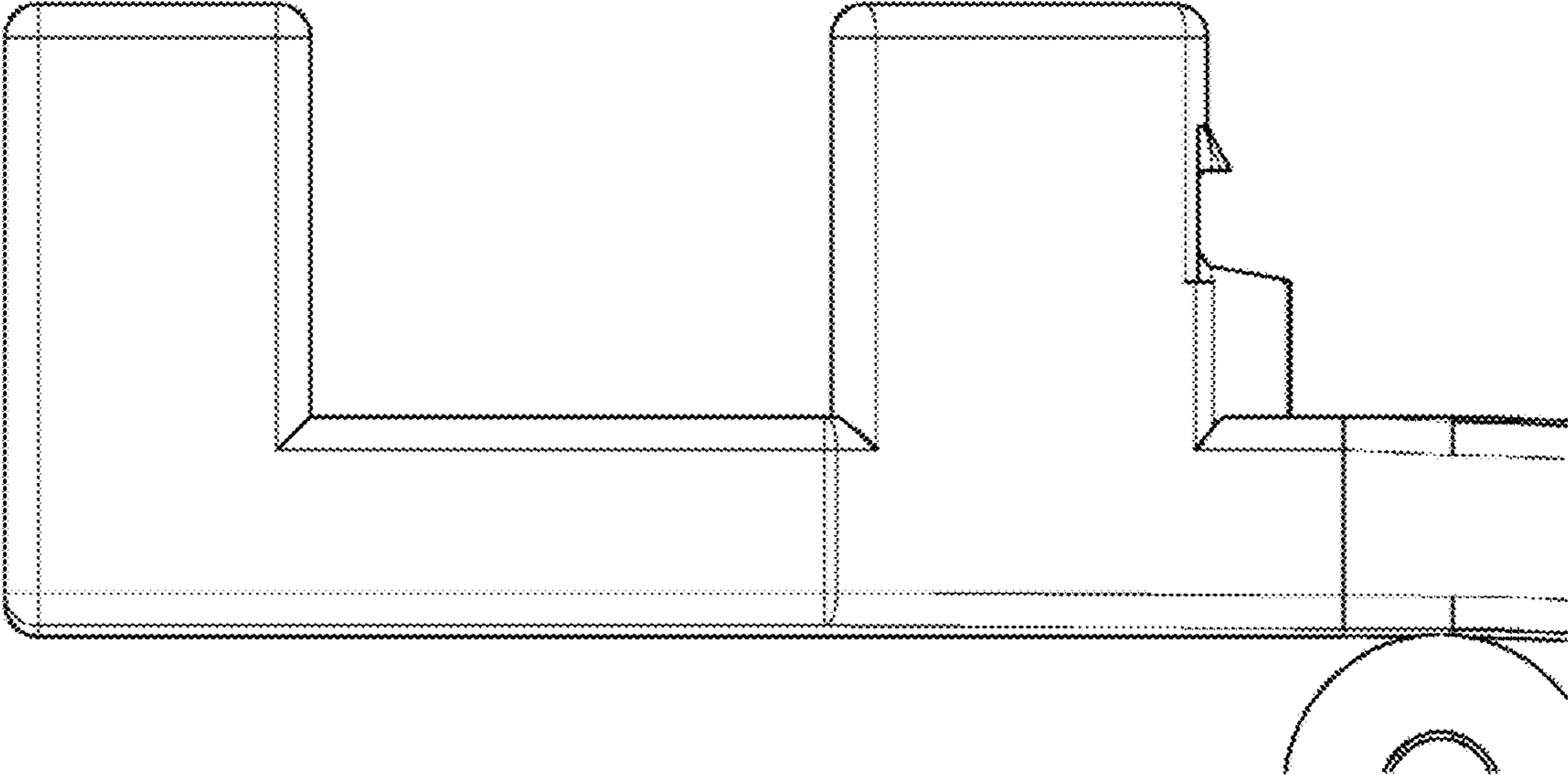


FIGURE 17

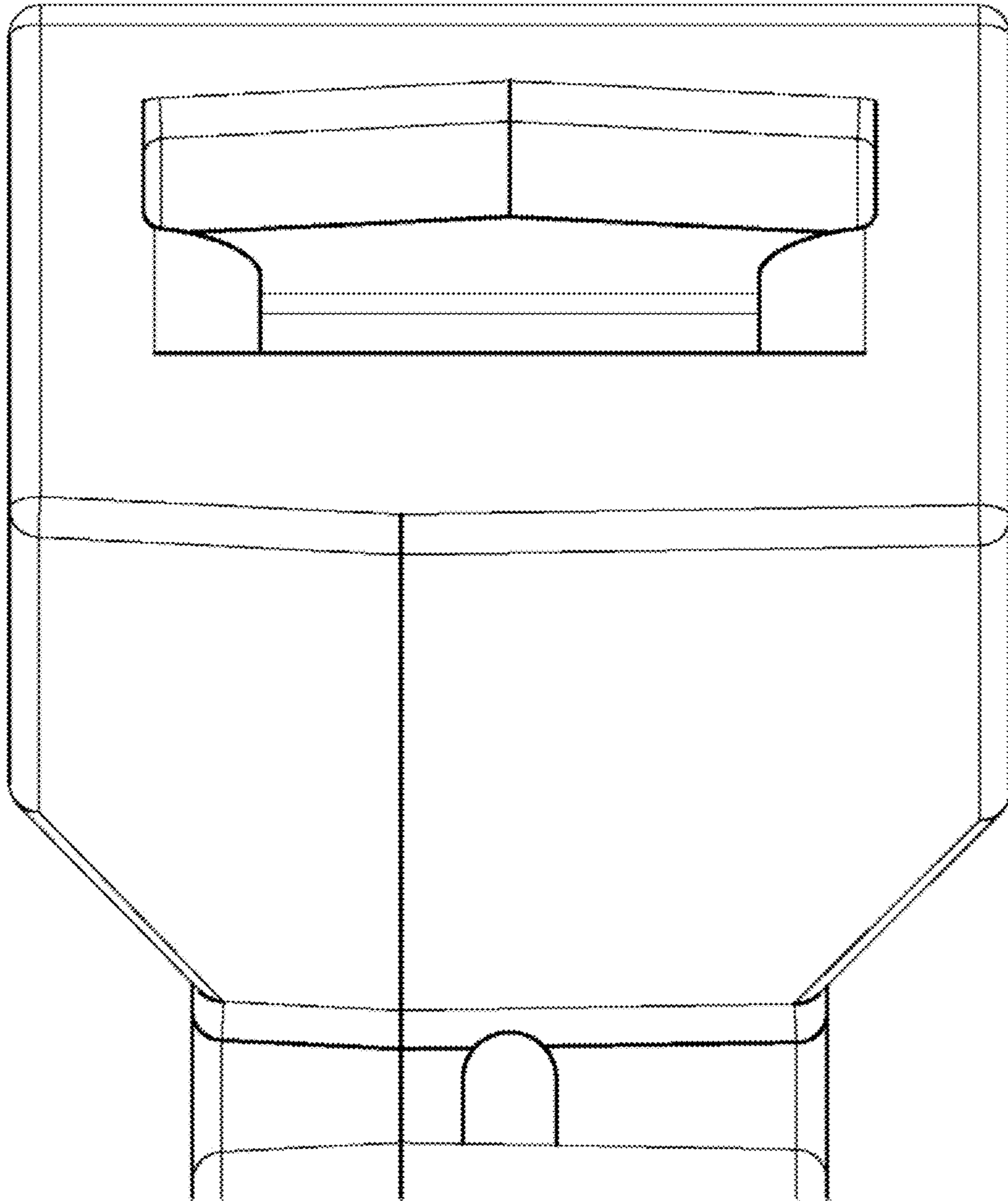


FIGURE 18

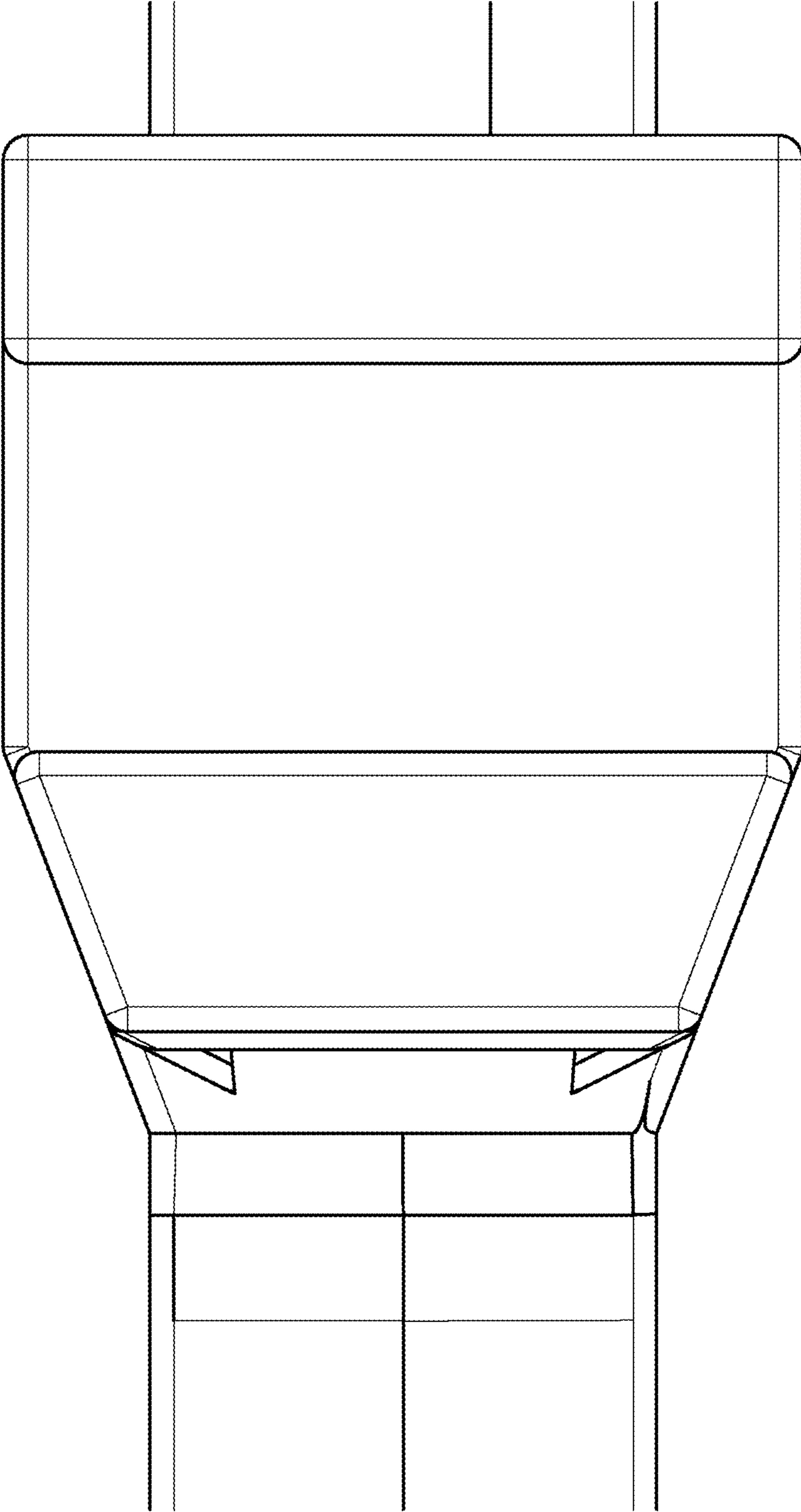


FIGURE 19

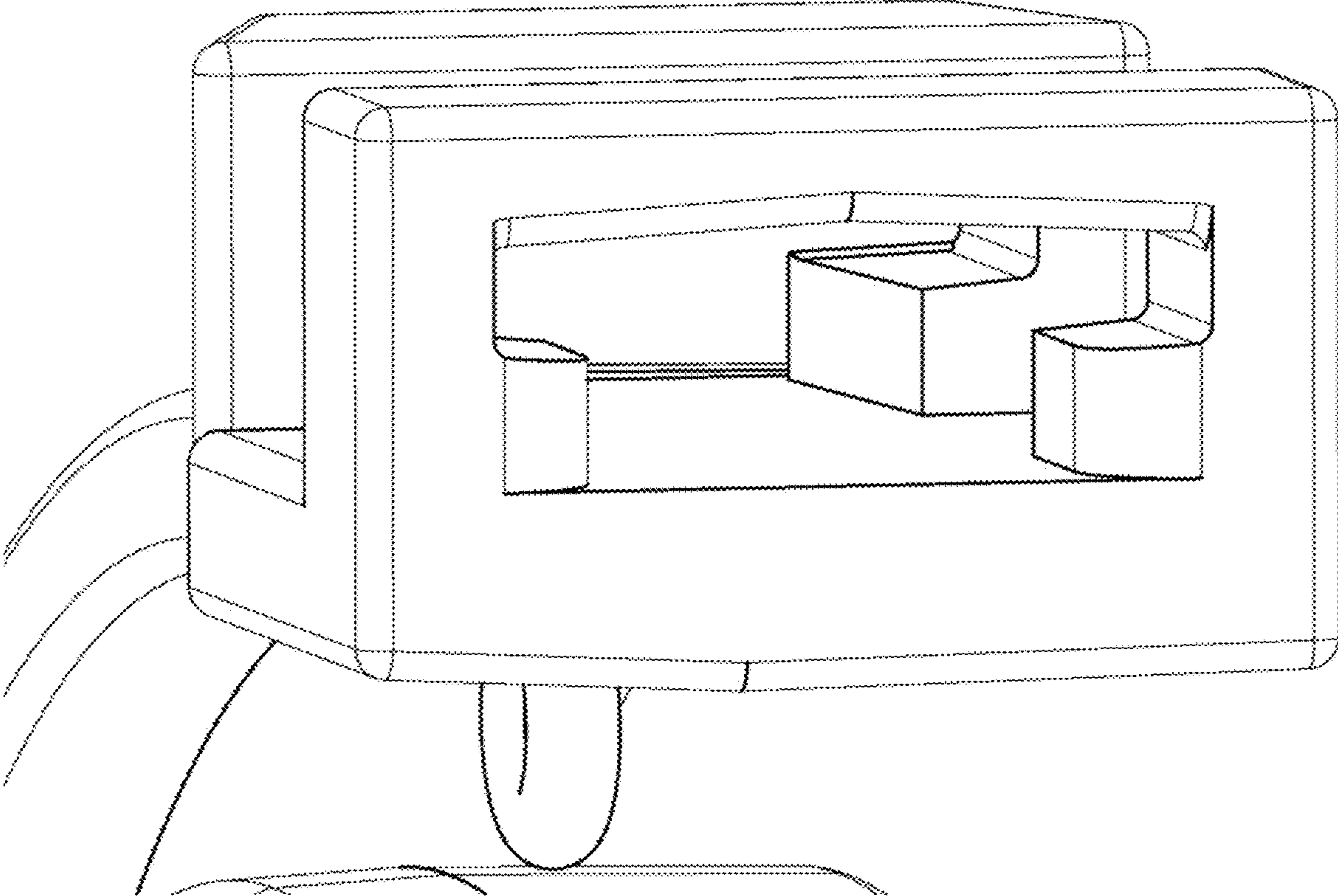


FIGURE 20