



US00D873503S

(12) **United States Design Patent** (10) **Patent No.:** **US D873,503 S**
MacNeil et al. (45) **Date of Patent:** **** Jan. 21, 2020**

(54) **PET FEEDING SYSTEM**

(56) **References Cited**

(71) Applicant: **MacNeil IP LLC**, Bolingbrook, IL (US)

U.S. PATENT DOCUMENTS

(72) Inventors: **David F. MacNeil**, Hinsdale, IL (US);
Frederick W. Masanek, Jr., Barrington, IL (US)

1,135,269 A	4/1915	Dudley	
D47,846 S	9/1915	Eustis	
D52,657 S	11/1918	Howland	
1,881,416 A	10/1932	Uhalt	
D145,192 S	7/1946	Zimmer	
2,417,977 A	3/1947	French	
2,560,708 A	7/1951	Titus	
2,651,926 A *	9/1953	Enslein	A47G 19/02 108/28

(73) Assignee: **MACNEIL IP LLC**, Bolingbrook, IL (US)

(**) Term: **15 Years**

2,813,509 A	11/1957	Bruno	
D183,822 S	11/1958	Barnhart	
2,878,932 A	3/1959	Martire, Jr.	
2,893,163 A	7/1959	Hazel, Jr.	
D186,040 S	9/1959	Stageberg	
2,919,456 A	1/1960	Spivey	
3,019,783 A	2/1962	Clarke	
3,232,662 A	2/1966	Graves	
D209,677 S	12/1967	Robert	
D209,678 S	12/1967	Robert	
3,637,454 A *	1/1972	Pavernick	A47G 11/003 428/71

(21) Appl. No.: **29/602,916**

(22) Filed: **May 4, 2017**

Related U.S. Application Data

(63) Continuation-in-part of application No. 29/560,208, filed on Apr. 4, 2016, now Pat. No. Des. 802,853.

(51) **LOC (12) Cl.** **30-03**

(52) **U.S. Cl.**
USPC **D30/133; D30/129; D30/121**

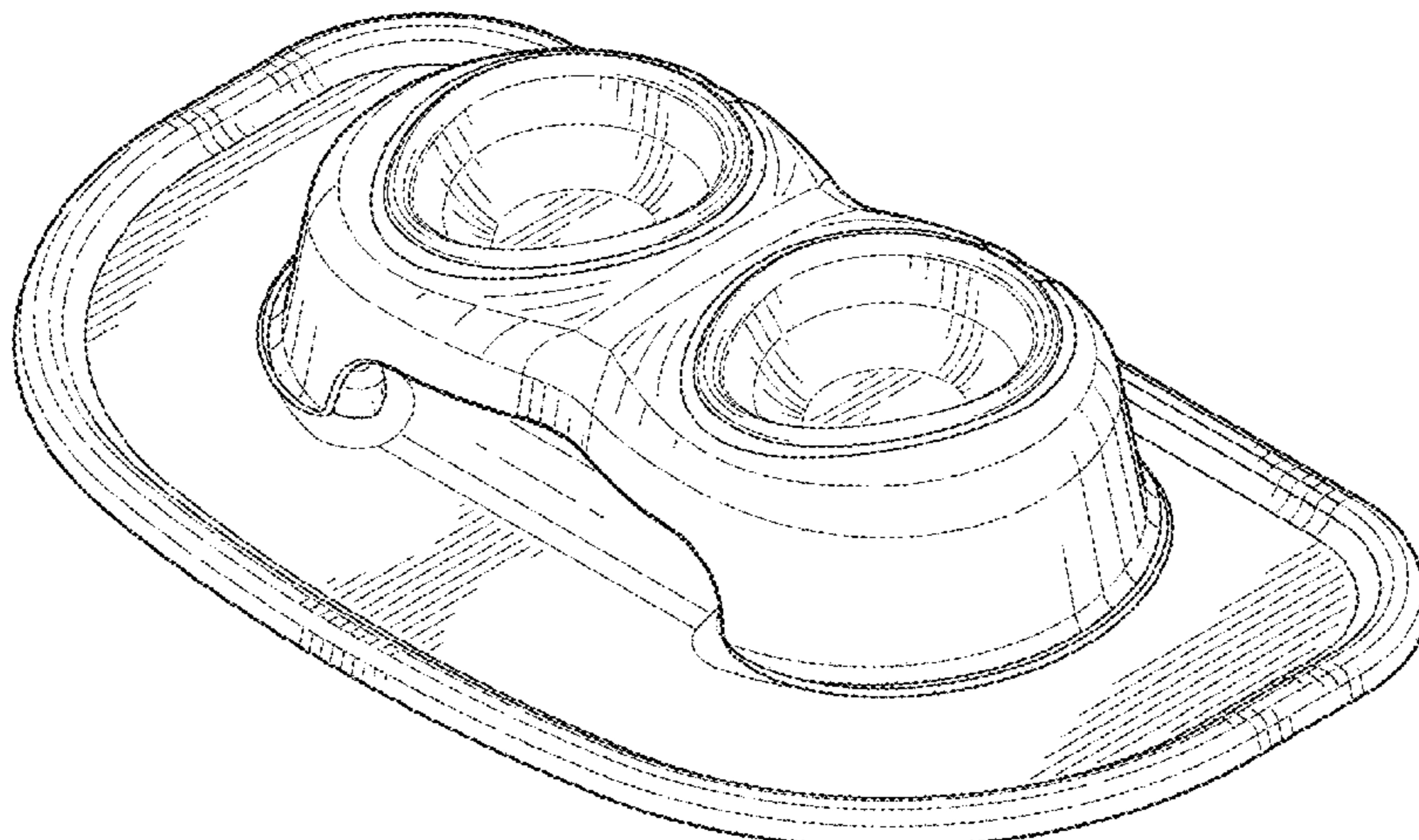
(58) **Field of Classification Search**

USPC D30/133, 121, 128, 130, 132, 122, 129;
119/52.1, 55, 61.5-61.56, 51.01, 51.03,
119/59, 62, 63, 51.5, 57.8, 74, 61;
D6/480-485; 248/188, 151; 312/204;
108/153.1-157, 25-26; 220/23.87, 630,
220/737, 743, 9.4, 495.01, 574, 212, 255,
220/23.83, 575; 206/515, 557, 560, 562,
206/563, 565; D7/586, 543, 550.1, 587,
D7/505, 584, 545, 500, 553.1-553.8, 546,
D7/555, 556, 504, 565, 562, 602, 507,
D7/549, 558, 552.2, 560, 566, 548, 681;
D9/429; 43/109; D22/122; 99/430,
99/DIG. 15

CPC A01K 5/00; A01K 5/01; A01K 5/0107;
A01K 5/0114; A01K 5/0121; A01K
5/0128; A01K 5/0135; A01K 7/005

See application file for complete search history.

3,729,037 A	4/1973	Dare et al.	
3,745,974 A	7/1973	Karasz	
D229,073 S	11/1973	Brickel	
3,791,550 A	2/1974	Duncan	
D231,180 S *	4/1974	Vigue	D7/553.4
D233,581 S	11/1974	Bridges et al.	
D236,790 S	9/1975	Bruno et al.	
D238,592 S	1/1976	Goldman et al.	
D241,917 S	10/1976	Borum	
D242,515 S	11/1976	Shumrak et al.	
3,995,844 A	12/1976	Hellman	
4,065,195 A	12/1977	Fahmie	
4,093,041 A	6/1978	Davis et al.	
D251,652 S	4/1979	Molloy	
D255,527 S	6/1980	Seager	
D259,669 S	6/1981	Peterson	
D279,067 S	6/1985	Kuster	
4,530,867 A *	7/1985	Gorman	A41H 3/00 428/198
D281,481 S	11/1985	Geiser	
D285,515 S	9/1986	Papciak	
D299,010 S	12/1988	Wall	
4,880,112 A	11/1989	Conrad	
4,907,539 A	3/1990	Abolhasan	
D321,809 S	11/1991	Zobrist	
5,161,713 A	11/1992	English	
D335,797 S	5/1993	DeGrow	
D336,592 S	6/1993	DeGrow	



US D873,503 S

5,221,032 A	6/1993	Bott et al.	D641,937 S	7/2011	Pitter	
D342,642 S	12/1993	Brazis	D642,338 S *	7/2011	Becattini, Jr.	D30/130
D344,436 S *	2/1994	Walls	7,992,714 B1	8/2011	Devault et al.	
D348,646 S	7/1994	Reuben	D646,440 S	10/2011	Chance et al.	
5,390,798 A	2/1995	Yanuzzi	D646,442 S	10/2011	Chance et al.	
D358,233 S	5/1995	Weaver	D646,852 S	10/2011	Chance et al.	
D362,090 S *	9/1995	Baldwin	D653,000 S	1/2012	Rutherford	
D362,363 S	9/1995	Friedman	D655,541 S	3/2012	Zemel	
D362,389 S	9/1995	Frye	8,148,651 B1	4/2012	Coppola	
D371,644 S	7/1996	Lillelund et al.	8,162,390 B2	4/2012	Zhong	
D373,932 S	9/1996	Onneweer	D659,913 S	5/2012	Spectre et al.	
D374,109 S	9/1996	Lillelund et al.	8,201,879 B2	6/2012	Hartenstine et al.	
5,560,316 A	10/1996	Lillelund et al.	D669,231 S	10/2012	Chance et al.	
5,580,037 A	12/1996	Gore	D670,041 S	10/2012	Chance et al.	
5,605,247 A	2/1997	Earnshaw	D672,163 S	12/2012	Wells et al.	
5,626,256 A	5/1997	Onneweer	8,516,975 B2	8/2013	Becattini, Jr. et al.	
D384,778 S	10/1997	Powers et al.	D692,623 S	10/2013	Lipscomb	
D386,838 S	11/1997	Pini et al.	D710,980 S	8/2014	Pollard	
D392,884 S	3/1998	Hayes	D712,204 S	9/2014	Hatcher et al.	
5,743,219 A	4/1998	Lampe	D717,104 S	11/2014	Redfern	
D413,209 S	8/1999	Jarke	D720,948 S	1/2015	Gonzalez et al.	
D414,634 S	10/1999	Smith	D722,407 S	2/2015	Roslonski et al.	
D415,657 S	10/1999	Cornelissen	D725,836 S	3/2015	Avalos Sartorio et al.	
D415,933 S	11/1999	Cornelissen	D727,576 S	4/2015	Avalos Sartorio et al.	
D432,280 S	10/2000	Quinlan et al.	9,039,079 B2	5/2015	Huntsberger et al.	
D433,580 S	11/2000	Jarke	9,044,077 B1	6/2015	Lin	
D435,705 S	12/2000	Powers	9,089,208 B2	7/2015	Zimmerman	
6,179,377 B1	1/2001	Harper	D735,573 S	8/2015	Jondal et al.	
D440,798 S	4/2001	Kuhlman et al.	9,095,117 B1 *	8/2015	Kumar	A01K 5/01
6,209,487 B1	4/2001	Quinlan et al.	9,144,321 B2	9/2015	Melo	
D441,441 S	5/2001	Upson	D741,742 S	10/2015	Kunnas	
D442,831 S	5/2001	Jacobs	D742,220 S	11/2015	Eyeran et al.	
6,427,626 B1	8/2002	Quinlan et al.	D744,174 S	11/2015	Jones et al.	
D474,940 S	5/2003	Wellner	D746,979 S	1/2016	Dominguez et al.	
D477,691 S	7/2003	Crowley	9,226,478 B1	1/2016	Uhl	
D487,669 S	3/2004	Smith	D751,381 S	3/2016	Torrison et al.	
D487,823 S	3/2004	Wang	D751,382 S	3/2016	Torrison et al.	
6,705,249 B2	3/2004	Quinlan et al.	D764,206 S	8/2016	Lin	
D493,672 S	8/2004	Jalet et al.	D767,941 S	10/2016	Laurain	
6,786,177 B1	9/2004	Lemkin	D770,796 S	11/2016	Lin	
D499,933 S	12/2004	Rutter et al.	D772,701 S	11/2016	Dziaba et al.	
D504,196 S	4/2005	Huthmaker et al.	9,504,285 B2	11/2016	Lin	
D504,799 S	5/2005	Lawson et al.	D774,361 S	12/2016	Laurain	
6,912,970 B2	7/2005	Sage, Jr.	D774,887 S	12/2016	Torrison et al.	
D508,822 S	8/2005	Smith et al.	D777,992 S	1/2017	Tsengas	
D517,743 S	3/2006	Perrin	9,560,919 B2	2/2017	Terhune	
D521,690 S	5/2006	Krcek et al.	D781,109 S	3/2017	Rubino	
D523,186 S	6/2006	Northrop	D802,853 S *	11/2017	MacNeil	D30/133
D523,695 S	6/2006	Haataja	D807,705 S *	1/2018	Laurain	D7/555
D526,850 S	8/2006	Sellers et al.	D811,666 S *	2/2018	Lopez	D30/133
D538,814 S	3/2007	Cranford et al.	D812,433 S *	3/2018	Kwok	D7/553.4
D541,486 S	4/2007	Mahaffey	D824,119 S *	7/2018	Yang	D30/130
D541,488 S	4/2007	Marsh	D825,115 S *	8/2018	Gevaert	D30/130
D550,407 S	9/2007	Spiwak	D836,990 S *	1/2019	Hakim	D7/553.4
D550,511 S	9/2007	Luft	D850,858 S *	6/2019	Roaks	D7/555
D551,400 S	9/2007	Tsengas	2003/0152736 A1 *	8/2003	Bass	A47G 19/10 428/40.1
D558,931 S	1/2008	Hood et al.				
7,341,019 B1	3/2008	Tsengas	2005/0045113 A1	3/2005	Wetterer et al.	
D566,363 S	4/2008	Lown et al.	2005/0115508 A1	6/2005	Little	
D573,466 S	7/2008	White et al.	2005/0235919 A1	10/2005	Willinger et al.	
D582,265 S	12/2008	Helfman	2006/0096544 A1	5/2006	Spiwek	
7,475,937 B2	1/2009	McGrew et al.	2006/0272589 A1 *	12/2006	Cheney	A01K 5/0114 119/61.54
D606,711 S *	12/2009	Becattini, Jr.				D30/130
D607,616 S	1/2010	Newsome et al.	2007/0264450 A1	11/2007	White et al.	
7,673,934 B2	3/2010	Bearup et al.	2008/0245947 A1 *	10/2008	Webb	A47G 19/10 248/683
7,681,525 B1	3/2010	Trulove				
D613,979 S	4/2010	Moore	2009/0199775 A1	8/2009	Shamoon	
D613,999 S	4/2010	Sierra	2009/0241844 A1 *	10/2009	Becattini, Jr.	A01K 5/0135 119/51.5
D623,358 S	9/2010	Kim				
D623,359 S	9/2010	Kim	2010/0107984 A1	5/2010	Uffner et al.	
7,789,041 B1	9/2010	Taylor	2010/0162961 A1	7/2010	Hove et al.	
D625,887 S *	10/2010	Becattini, Jr.	2011/0253054 A1 *	10/2011	Hargrove	A01K 5/0114 119/61.54
D626,791 S	11/2010	Sierra				
D630,512 S	1/2011	Venier	2012/0186497 A1	7/2012	Spano	
D636,674 S	4/2011	Golota et al.	2013/0118412 A1	5/2013	Korrie	
D640,486 S	6/2011	Saelid	2014/0261203 A1	9/2014	Renforth et al.	
D641,211 S	7/2011	Olivari et al.	2014/0338573 A1	11/2014	Rassat	
D641,212 S	7/2011	Olivari et al.	2014/0346293 A1	11/2014	Qiu	
D641,628 S	7/2011	Baughman	2015/0214090 A1	7/2015	Jin et al.	

2016/0037744	A1	2/2016	Rudin	
2016/0073805	A1*	3/2016	Laurain	A47G 19/02 220/575
2016/0120147	A1	5/2016	Antonio	
2017/0071155	A1	3/2017	Gailen	
2017/0086423	A1	3/2017	Wall	
2017/0280675	A1*	10/2017	MacNeil	A01K 5/0135
2018/0368594	A1*	12/2018	Hakim	A47G 23/0303

FOREIGN PATENT DOCUMENTS

JP D1232810 3/2005

OTHER PUBLICATIONS

International Searching Authority, Written Opinion, Aug. 17, 2017, seven pages.
 Doctor's Advice Peppy, Pet Feeding Systems, catalog, Aug. 31, 2002, vol. 20, Japan.
 Benesse Corporation, Pet Feeding Station, web page, downloaded prior to Nov. 21, 2017, Japan.
 Amazon.com, Collapsible Pet Feeder—small, pink, web page, downloaded prior to Nov. 21, 2017, Japan.
 T-K-Maxx, Pink Flexi Pet Bowl Duo, web page, downloaded prior to Nov. 21, 2017, Japan.
 Iris Ohyama Incorporated, Pet Feeding Bowls, web page, Jul. 2, 2007.
 Amazon.com, Double Bowl Feeding Station by Pupmoms, web page, Jan. 10, 2018.
 National Center for Industrial Property Information and Training, house.richell.co.jp, Oblong Bowls, downloaded Jan. 10, 2018.
 Nissen Company Limited, Oblong Bowl, web page, downloaded prior to Dec. 5, 2017, Japan.
 National Center for Industrial Property Information and Training, www.e-narumi.com, Oblong Bowl, downloaded Jan. 10, 2018.

* cited by examiner

Primary Examiner — Susan Moon Lee
 (74) *Attorney, Agent, or Firm* — Perkins IP Law Group LLC; Jefferson Perkins

(57) CLAIM

We claim the ornamental design for a pet feeding system, as shown and described.

DESCRIPTION

FIG. 1 is a top perspective view of a first embodiment of the pet feeding system according to our design, shown in an assembled condition;
 FIG. 2 is an exploded top perspective view of the embodiment shown in FIG. 1;
 FIG. 3 is an exploded bottom perspective view of the embodiment shown in FIG. 1;
 FIG. 4 is a top view of the embodiment shown in FIG. 1;
 FIG. 5 is a front view of the embodiment shown in FIG. 1;
 FIG. 6 is a rear view of the embodiment shown in FIG. 1;
 FIG. 7 is a right side view of the embodiment shown in FIG. 1, a left side view being a mirror image of the right side view;
 FIG. 8 is a top perspective view of a stand used in the embodiment shown in FIG. 1;
 FIG. 9 is a top view of the stand shown in FIG. 8;
 FIG. 10 is a front view of the stand shown in FIG. 8;
 FIG. 11 is a rear view of the stand shown in FIG. 8;
 FIG. 12 is a left side view of the stand shown in FIG. 8, a right side view being a mirror image of the left side view;

FIG. 13 is a side-to-side sectional view taken through a center of the stand shown in FIG. 8;
 FIG. 14 is a front-to-rear sectional view taken through a center of the stand shown in FIG. 8;
 FIG. 15 is a top perspective view of a mat used in the embodiment shown in FIG. 1;
 FIG. 16 is a top view of the mat shown in FIG. 15;
 FIG. 17 is a front view of the mat shown in FIG. 15;
 FIG. 18 is a rear view of the mat shown in FIG. 15;
 FIG. 19 is a right side view of the mat shown in FIG. 15, a left -side view being a mirror image of the right side view;
 FIG. 20 is a front-to-rear sectional view taken through a center of the mat shown in FIG. 15;
 FIG. 21 is a side-to-side sectional view taken through a center of the mat shown in FIG. 15;
 FIG. 22 is a top perspective view of a second embodiment of the pet feeding system according to our design, shown in an assembled condition;
 FIG. 23 is a top perspective exploded view of the embodiment shown in FIG. 22;
 FIG. 24 is a bottom perspective exploded view of the embodiment shown in FIG. 22;
 FIG. 25 is a top view of the embodiment shown in FIG. 22;
 FIG. 26 is a front view of the embodiment shown in FIG. 22;
 FIG. 27 is a rear view of the embodiment shown in FIG. 22;
 FIG. 28 is a right side view of the embodiment shown in FIG. 22, a left side view being a mirror image of the right side view;
 FIG. 29 is a top perspective view of a stand used in the embodiment shown in FIG. 22;
 FIG. 30 is a top view of the stand shown in FIG. 29;
 FIG. 31 is a front view of the stand shown in FIG. 29;
 FIG. 32 is a rear view of the stand shown in FIG. 29;
 FIG. 33 is a left side view of the stand shown in FIG. 29, a right side view being a mirror image of the left side view;
 FIG. 34 is a side to side sectional view of the stand shown in FIG. 29;
 FIG. 35 is a front-to-rear sectional view of the stand shown in FIG. 29;
 FIG. 36 is a top perspective view of a mat used in the embodiment shown in FIG. 22;
 FIG. 37 is a top view of the mat shown in FIG. 36;
 FIG. 38 is a front view of the mat shown in FIG. 36;
 FIG. 39 is a rear view of the mat shown in FIG. 36;
 FIG. 40 is a right side view of the mat shown in FIG. 36, a left side view being a mirror image of the right side view;
 FIG. 41 is a front-to-rear sectional view taken through a center of the mat shown in FIG. 36;
 FIG. 42 is a side-to-side sectional view taken through a center of the mat shown in FIG. 36;
 FIG. 43 is a top perspective view of either of two bowls used in the embodiment shown in FIG. 22;
 FIG. 44 is a top view of the bowl shown in FIG. 43;
 FIG. 45 is a right side view of the bowl shown in FIG. 43, a left side view being a mirror image of the right side view;
 FIG. 46 is a rear view of the bowl shown in FIG. 43;
 FIG. 47 is a front view of the bowl shown in FIG. 43;
 FIG. 48 is a bottom view of the bowl shown in FIG. 43;
 FIG. 49 is a side-to-side sectional view taken substantially along line 49-49 of FIG. 44;
 FIG. 50 is a front-to-rear sectional view taken substantially along line 50-50 of FIG. 44;
 FIG. 51 is a top perspective view of a third embodiment of the pet feeding system according to our design, shown in an assembled condition;

FIG. 52 is a top perspective exploded view of the embodiment shown in FIG. 51;

FIG. 53 is a bottom perspective exploded view of the embodiment shown in FIG. 51;

FIG. 54 is a top view of the embodiment shown in FIG. 51;

FIG. 55 is a front view of the embodiment shown in FIG. 51;

FIG. 56 is a rear view of the embodiment shown in FIG. 51;

FIG. 57 is a right side view of the embodiment shown in FIG. 51, a left side view being a mirror image of the right side view;

FIG. 58 is a top perspective view of a stand used in the embodiment shown in FIG. 51;

FIG. 59 is a top view of the stand shown in FIG. 58;

FIG. 60 is a front view of the stand shown in FIG. 58;

FIG. 61 is a rear view of the stand shown in FIG. 58;

FIG. 62 is a left side view of the stand shown in FIG. 58, a right side view being a mirror image of the left side view;

FIG. 63 is a side to side sectional view taken through a center of the stand shown in FIG. 58;

FIG. 64 is a front-to-rear sectional view taken through a center of the stand shown in FIG. 58;

FIG. 65 is a top perspective view of a mat used in the embodiment shown in FIG. 51;

FIG. 66 is a top view of the mat shown in FIG. 65;

FIG. 67 is a front view of the mat shown in FIG. 65;

FIG. 68 is a rear view of the mat shown in FIG. 65;

FIG. 69 is a right side view of the mat shown in FIG. 65, a left side view being a mirror image of the right side view;

FIG. 70 is a front-to-rear sectional view taken through a center of the mat shown in FIG. 65;

FIG. 71 is a side-to-side sectional view taken through a center of the mat shown in FIG. 65;

FIG. 72 is a top perspective view of either of two bowls as used in the embodiment shown in FIG. 53 and as used in the embodiment shown in FIG. 80;

FIG. 73 is a top view of the bowl shown in FIG. 72;

FIG. 74 is a right side view of the bowl shown in FIG. 72, a left side view thereof being a mirror image of the right side view;

FIG. 75 is a rear view of the bowl shown in FIG. 72;

FIG. 76 is a front view of the bowl shown in FIG. 72;

FIG. 77 is a bottom view of the bowl shown in FIG. 72;

FIG. 78 is a side-to-side sectional view taken substantially along line 78-78 of FIG. 73;

FIG. 79 is a front-to-rear sectional view taken substantially along line 79-79 of FIG. 73;

FIG. 80 is a top perspective view of a fourth embodiment of our design, shown in an assembled condition;

FIG. 81 is an exploded top perspective view of the embodiment shown in FIG. 80;

FIG. 82 is an exploded bottom perspective view of the embodiment shown in FIG. 80;

FIG. 83 is a top view of the embodiment shown in FIG. 80;

FIG. 84 is a front view of the embodiment shown in FIG. 80;

FIG. 85 is a rear view of the embodiment shown in FIG. 80;

FIG. 86 is a right side view of the embodiment shown in FIG. 80, a left side view being a mirror image of the right side view;

FIG. 87 is a top perspective view of a stand used in the embodiment shown in FIG. 80;

FIG. 88 is a top view of the stand shown in FIG. 87;

FIG. 89 is a front view of the stand shown in FIG. 87;

FIG. 90 is a rear view of the stand shown in FIG. 87;

FIG. 91 is a left side view of the stand shown in FIG. 87, a right side view being a mirror image of the left side view;

FIG. 92 is a side-to-side sectional view taken through a center of the stand shown in FIG. 87;

FIG. 93 is a front-to-rear sectional view taken through a center of the stand shown in FIG. 87;

FIG. 94 is a top perspective view of a mat used in the embodiment shown in FIG. 80;

FIG. 95 is a top view of the mat shown in FIG. 94;

FIG. 96 is a front view of the mat shown in FIG. 94;

FIG. 97 is a rear view of the mat shown in FIG. 94;

FIG. 98 is a right side view of the mat shown in FIG. 94, a left side view being a mirror image of the right side view;

FIG. 99 is a front-to-rear sectional view taken through a center of the mat shown in FIG. 94;

FIG. 100 is a side-to-side sectional view taken through a center of the mat shown in FIG. 94;

FIG. 101 is a top perspective view of a fifth embodiment of our design, shown in an assembled condition;

FIG. 102 is an exploded top perspective view of the embodiment shown in FIG. 101;

FIG. 103 is an exploded bottom perspective view of the embodiment shown in FIG. 101;

FIG. 104 is a top view of the embodiment shown in FIG. 101;

FIG. 105 is a front view of the embodiment shown in FIG. 101;

FIG. 106 is a rear view of the embodiment shown in FIG. 101;

FIG. 107 is a right side view of the embodiment shown in FIG. 101, a left side view thereof being a mirror image of the right side view;

FIG. 108 is a top perspective view of a stand used in the embodiment shown in FIG. 101;

FIG. 109 is a top view of the stand shown in FIG. 108;

FIG. 110 is a front view of the stand shown in FIG. 108;

FIG. 111 is a rear view of the stand shown in FIG. 108;

FIG. 112 is a left side view of the stand shown in FIG. 108, a right side view thereof being a mirror image of the left side view;

FIG. 113 is a side-to-side sectional view taken through a center of the stand shown in FIG. 108;

FIG. 114 is a front-to-rear sectional view taken through a center of the stand shown in FIG. 108;

FIG. 115 is a top perspective view of a mat used in the embodiment shown in FIG. 101;

FIG. 116 is a top view of the mat shown in FIG. 115;

FIG. 117 is a front view of the mat shown in FIG. 115;

FIG. 118 is a rear view of the mat shown in FIG. 115;

FIG. 119 is a right side view of the mat shown in FIG. 115, a left side view thereof being a mirror image of the right side view;

FIG. 120 is a front-to-rear sectional view taken through a center of the mat shown in FIG. 115;

FIG. 121 is a side-to-side sectional view taken through a center of the mat shown in FIG. 115;

FIG. 122 is a top perspective view of either of two bowls used in the embodiment shown in FIG. 101 and also used in the embodiment shown in FIG. 130;

FIG. 123 is a top view of the bowl shown in FIG. 122;

FIG. 124 is a right side view of the bowl shown in FIG. 122, a left side view thereof being a mirror image of the right side view;

FIG. 125 is a rear view of the bowl shown in FIG. 122;

FIG. 126 is a front view of the bowl shown in FIG. 122;

FIG. 127 is a bottom view of the bowl shown in FIG. 122;

FIG. 128 is a side-to-side sectional view taken substantially along line 128-128 of FIG. 123;
FIG. 129 is a front-to-rear sectional view taken substantially along line 129-129 of FIG. 123;
FIG. 130 is a top perspective view of a sixth embodiment of our design, shown in an assembled condition;
FIG. 131 is an exploded top perspective view of the embodiment shown in FIG. 130;
FIG. 132 is an exploded bottom perspective view of the embodiment shown in FIG. 130;
FIG. 133 is a top view of the embodiment shown in FIG. 130;
FIG. 134 is a front view of the embodiment shown in FIG. 130;
FIG. 135 is a rear view of the embodiment shown in FIG. 130;
FIG. 136 is a right side view of the embodiment shown in FIG. 130, a left side view thereof being a mirror image of the right side view;
FIG. 137 is a top perspective view of a stand used in the embodiment shown in FIG. 130;
FIG. 138 is a top view of the stand shown in FIG. 137;
FIG. 139 is a front view of the stand shown in FIG. 137;
FIG. 140 is a rear view of the stand shown in FIG. 137;
FIG. 141 is a left side view of the stand shown in FIG. 137, a right side view thereof being a mirror image of the left side view;
FIG. 142 is a side-to-side sectional view taken through a center of the stand shown in FIG. 137;
FIG. 143 is a front-to-rear sectional view taken through a center of the stand shown in FIG. 137;
FIG. 144 is a top perspective view of a mat used in the embodiment shown in FIG. 130;
FIG. 145 is a top view of the mat shown in FIG. 144;
FIG. 146 is a front view of the mat shown in FIG. 144;
FIG. 147 is a rear view of the mat shown in FIG. 144;
FIG. 148 is a right side view of the mat shown in FIG. 144, a left side view thereof being a mirror image of the right side view;
FIG. 149 is a front-to-rear sectional view taken through a center of the mat shown in FIG. 144;
FIG. 150 is a side-to-side sectional view taken through a center of the mat shown in FIG. 144;
FIG. 151 is a top perspective view of a seventh embodiment of our design, shown in an assembled condition;
FIG. 152 is an exploded top perspective view of the embodiment shown in FIG. 151;
FIG. 153 is an exploded bottom perspective view of the embodiment shown in FIG. 151;
FIG. 154 is a top view of the embodiment shown in FIG. 151;

FIG. 155 is a front view of the embodiment shown in FIG. 151;
FIG. 156 is a rear view of the embodiment shown in FIG. 151;
FIG. 157 is a right side view of the embodiment shown in FIG. 151, a left side view thereof being a mirror image of the right side view;
FIG. 158 is a top perspective view of a stand used in the embodiment shown in FIG. 151;
FIG. 159 is a top view of the stand shown in FIG. 158;
FIG. 160 is a front view of the stand shown in FIG. 158;
FIG. 161 is a rear view of the stand shown in FIG. 158;
FIG. 162 is a left side view of the stand shown in FIG. 158, a right side view thereof being a mirror image of the left side view;
FIG. 163 is a side-to-side sectional view taken through a center of the stand shown in FIG. 158;
FIG. 164 is a front-to-rear sectional view taken through a center of the stand shown in FIG. 158;
FIG. 165 is a top perspective view of a mat used in the embodiment shown in FIG. 151;
FIG. 166 is a top view of the mat shown in FIG. 165;
FIG. 167 is a front view of the mat shown in FIG. 165;
FIG. 168 is a rear view of the mat shown in FIG. 165;
FIG. 169 is a right side view of the mat shown in FIG. 165, a left side view thereof being a mirror image of the right side view;
FIG. 170 is a front-to-rear sectional view taken through a center of the mat shown in FIG. 165;
FIG. 171 is a side-to-side sectional view taken through a center of the mat shown in FIG. 165;
FIG. 172 is a top perspective view of either of two bowls used in the embodiment shown in FIG. 151;
FIG. 173 is a top view of the bowl shown in FIG. 172;
FIG. 174 is a right side view of the bowl shown in FIG. 172, a left side view thereof being a mirror image of the right side view;
FIG. 175 is a rear view of the bowl shown in FIG. 172;
FIG. 176 is a front view of the bowl shown in FIG. 172;
FIG. 177 is a bottom view of the bowl shown in FIG. 172;
FIG. 178 is a side-to-side sectional view taken substantially along line 178-178 of FIG. 173; and,
FIG. 179 is a front-to-rear sectional view taken substantially along line 179-179 of FIG. 173.
The bottoms of the stands and mats depicted in the various embodiments of our design are unadorned and form no portion of the claimed design.
The broken lines depict portions of the pet feeding system that form no part of the claimed design.

1 Claim, 105 Drawing Sheets

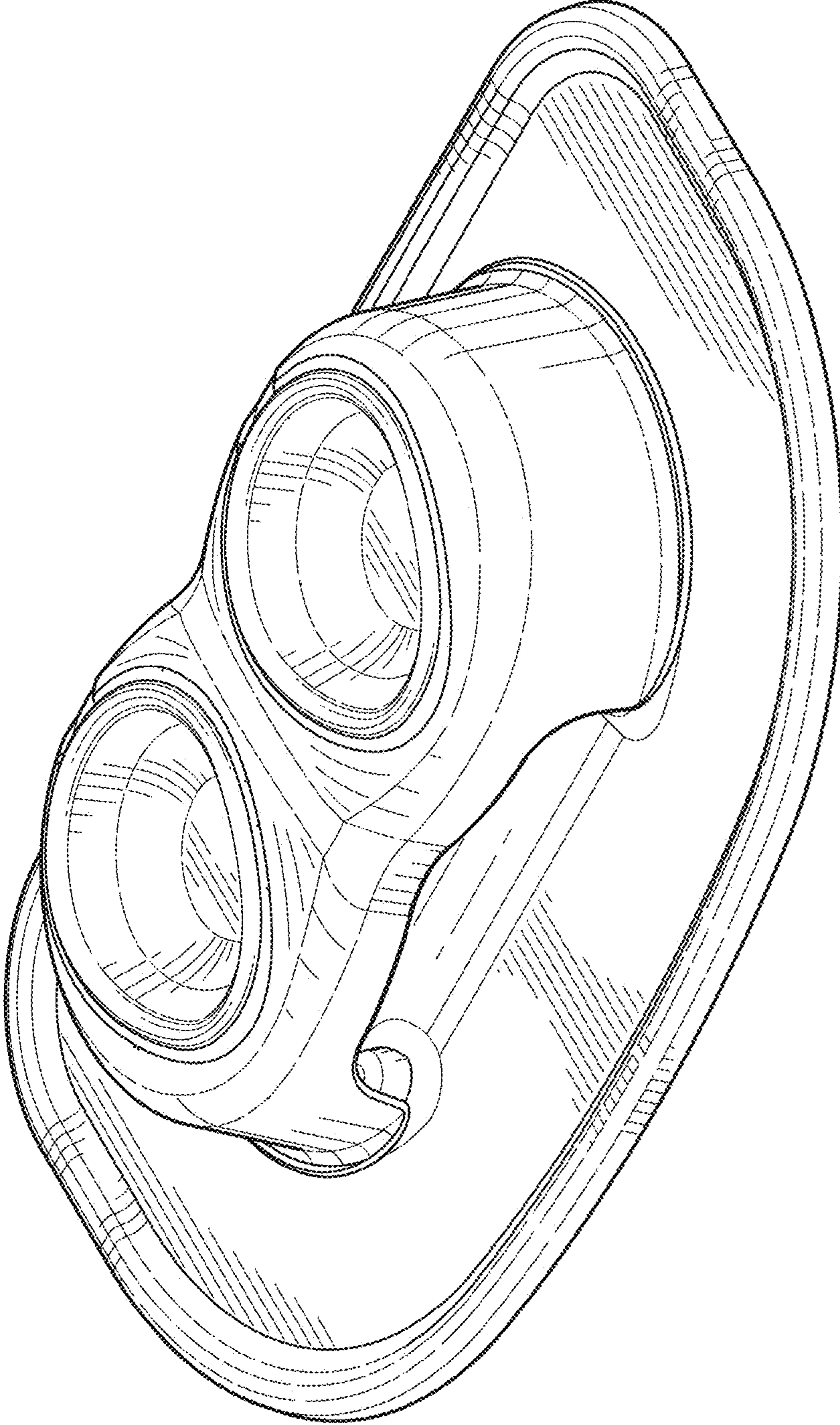


FIG. 1

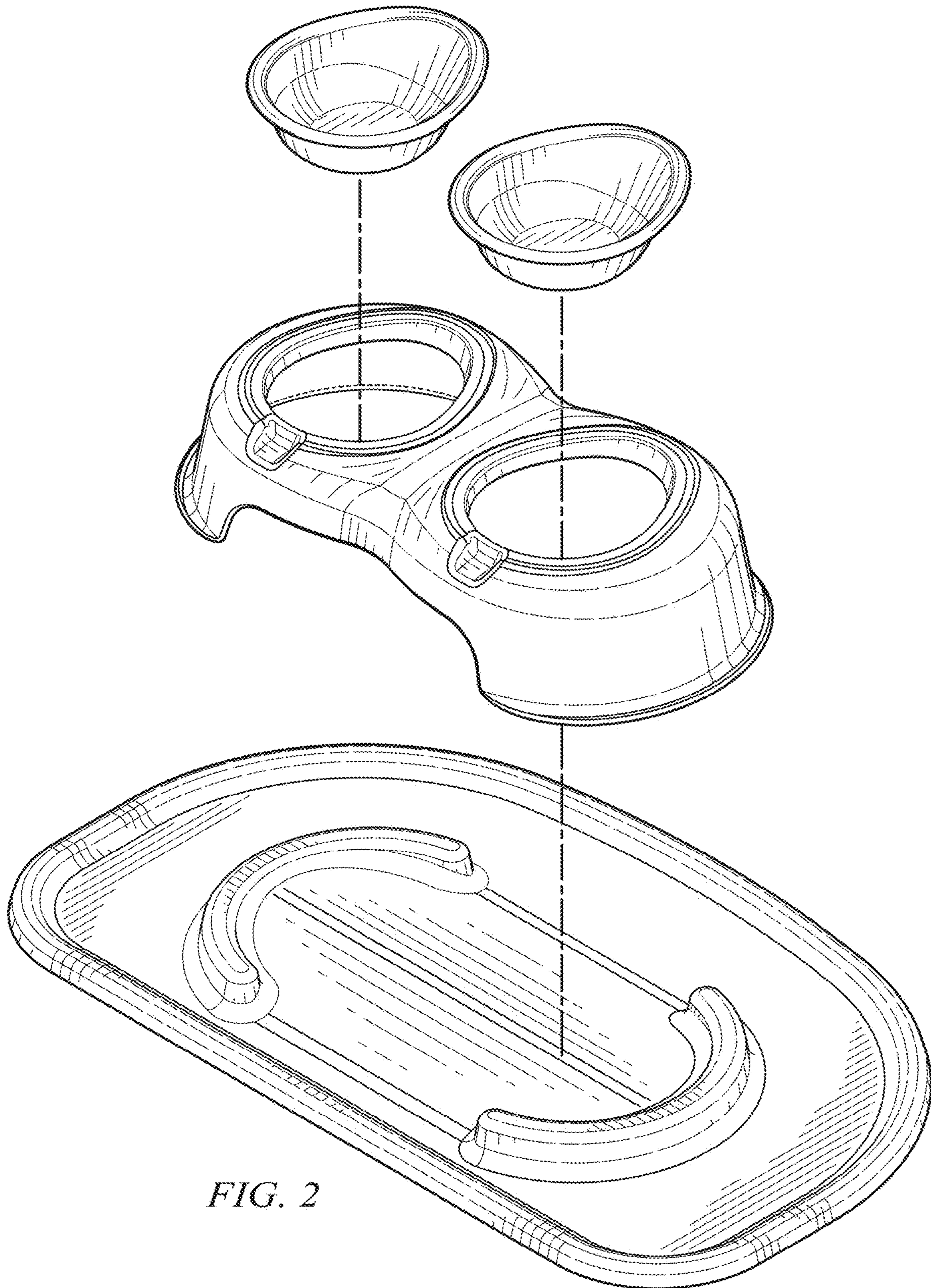


FIG. 2

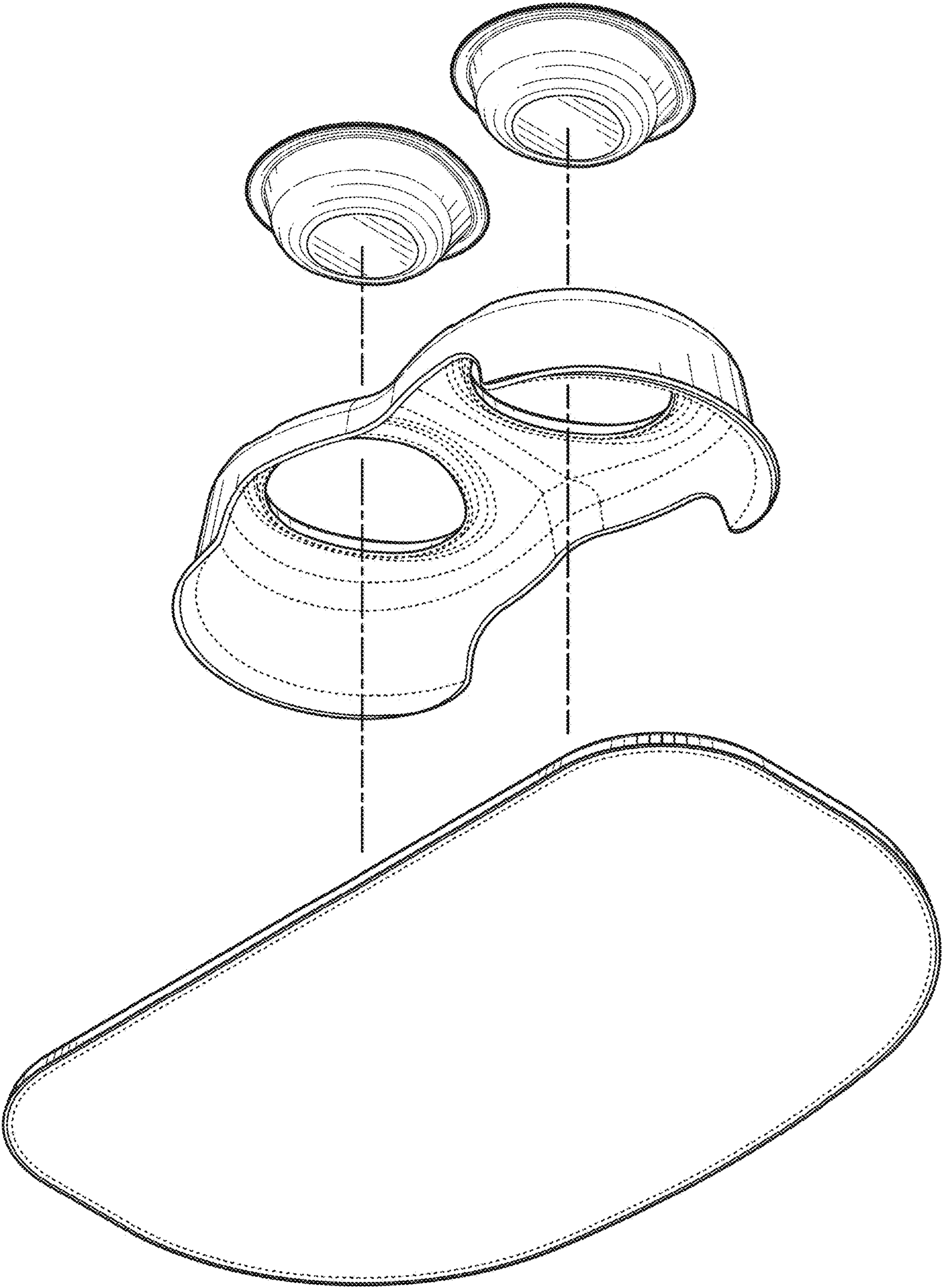


FIG. 3

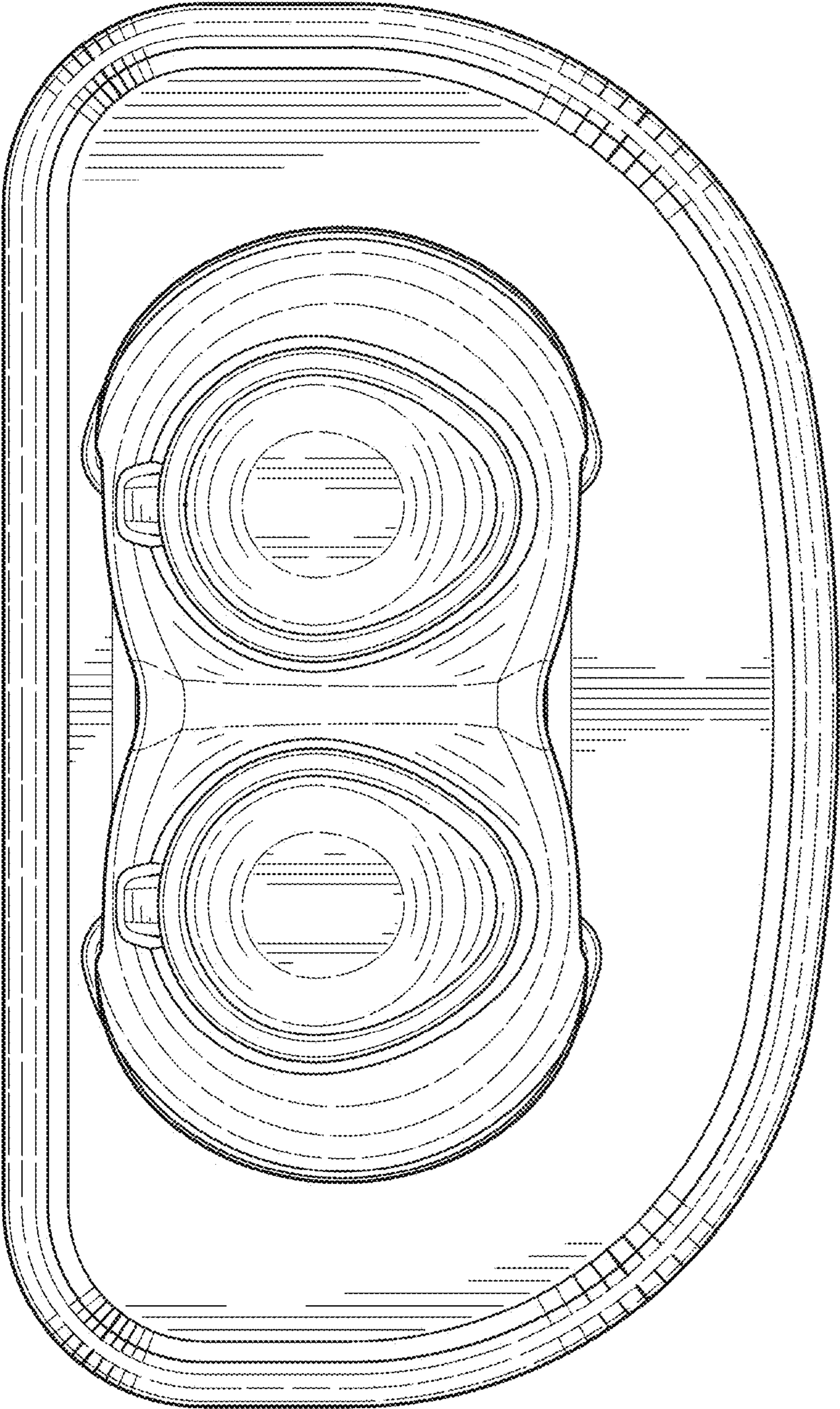


FIG. 4

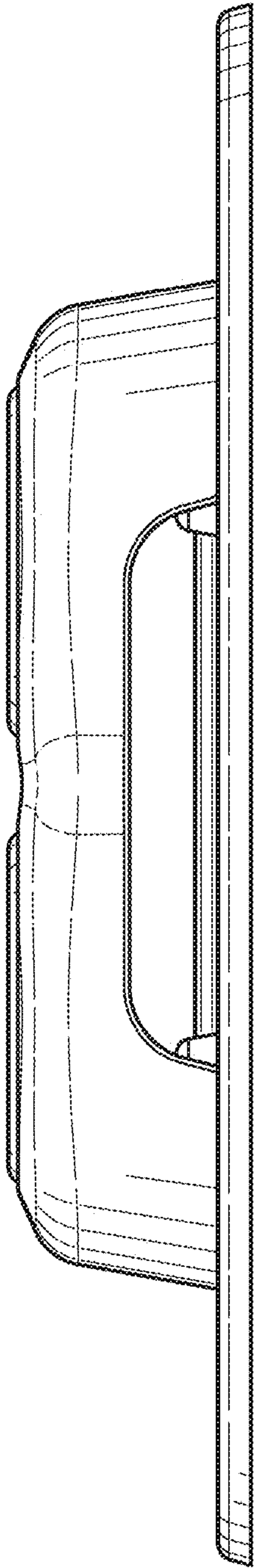


FIG. 5

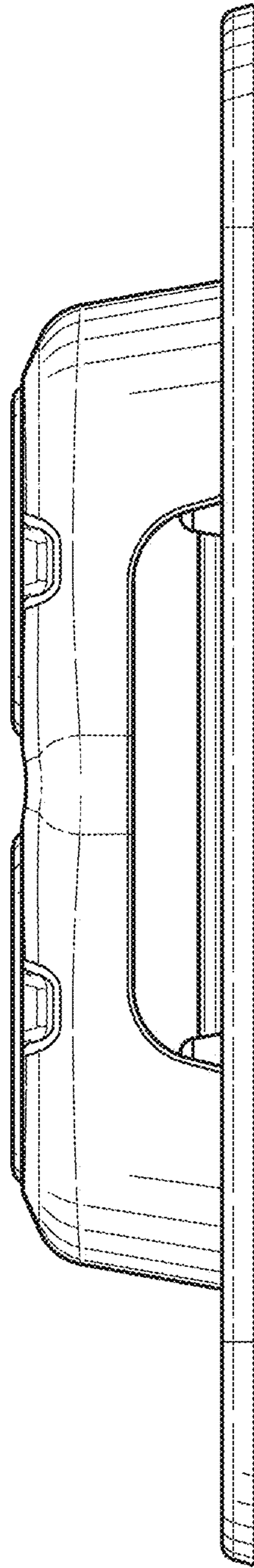


FIG. 6

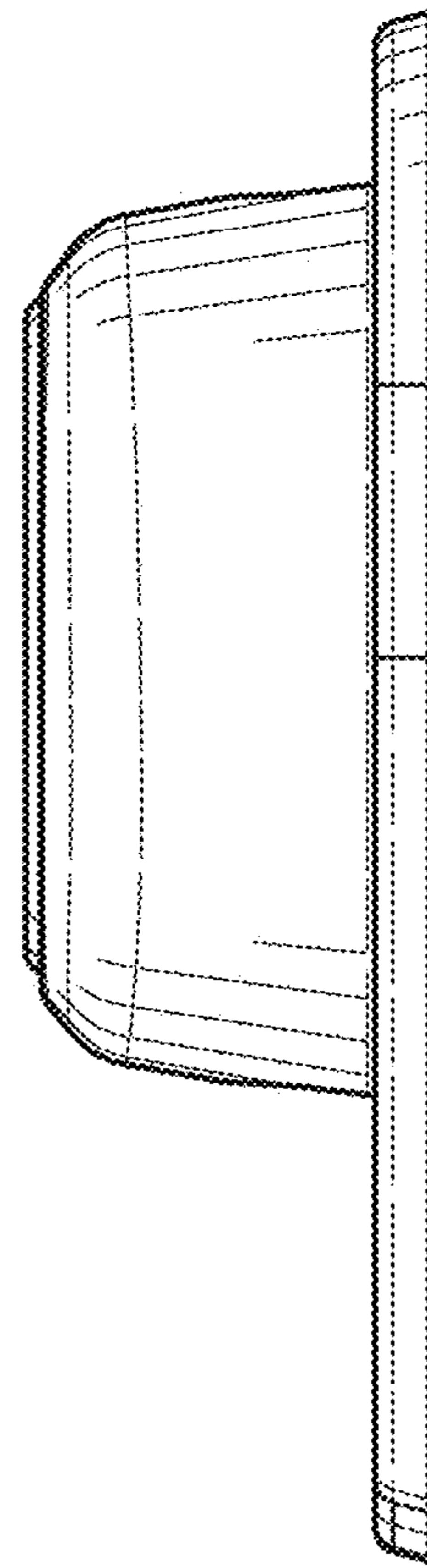


FIG. 7

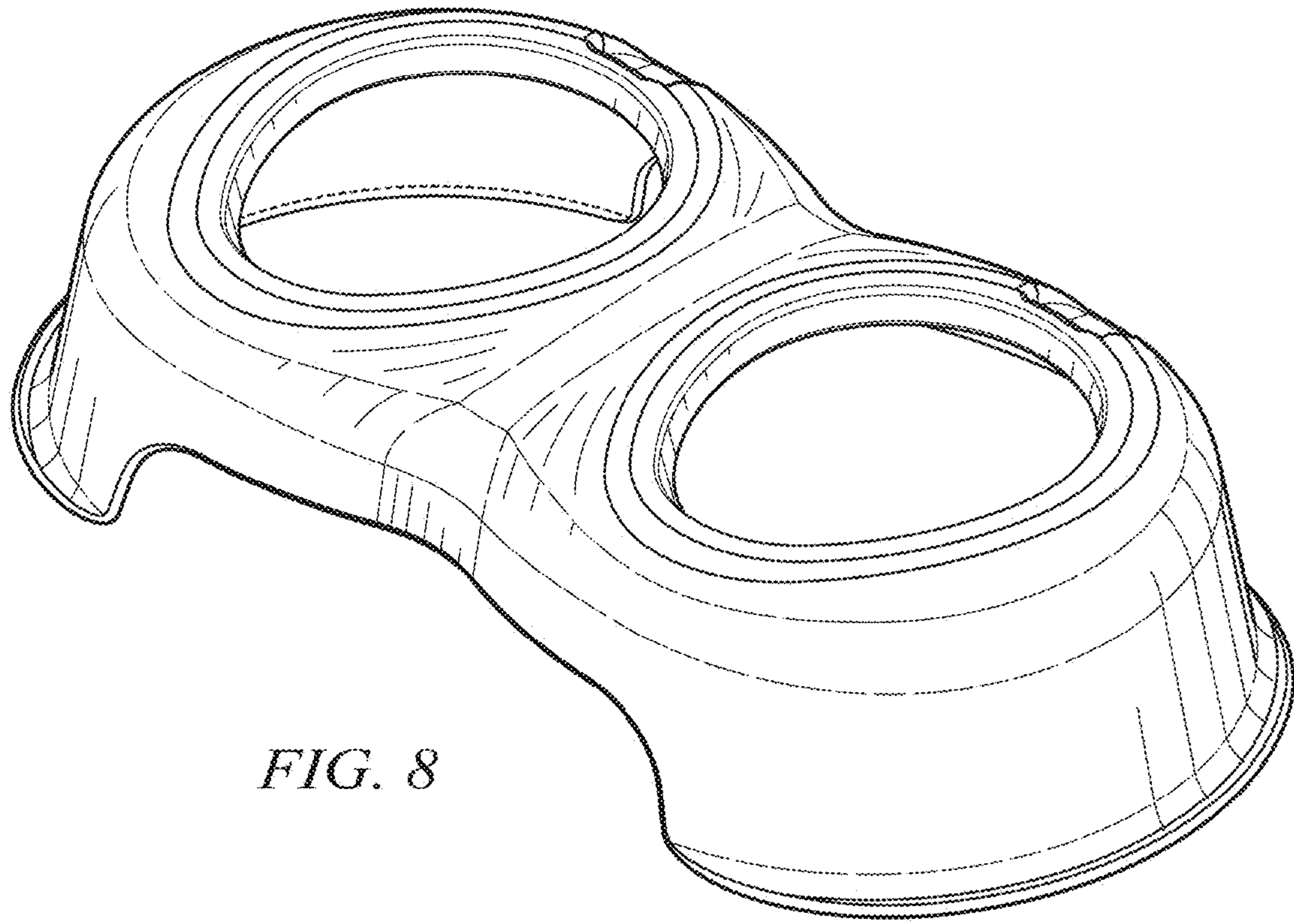


FIG. 8

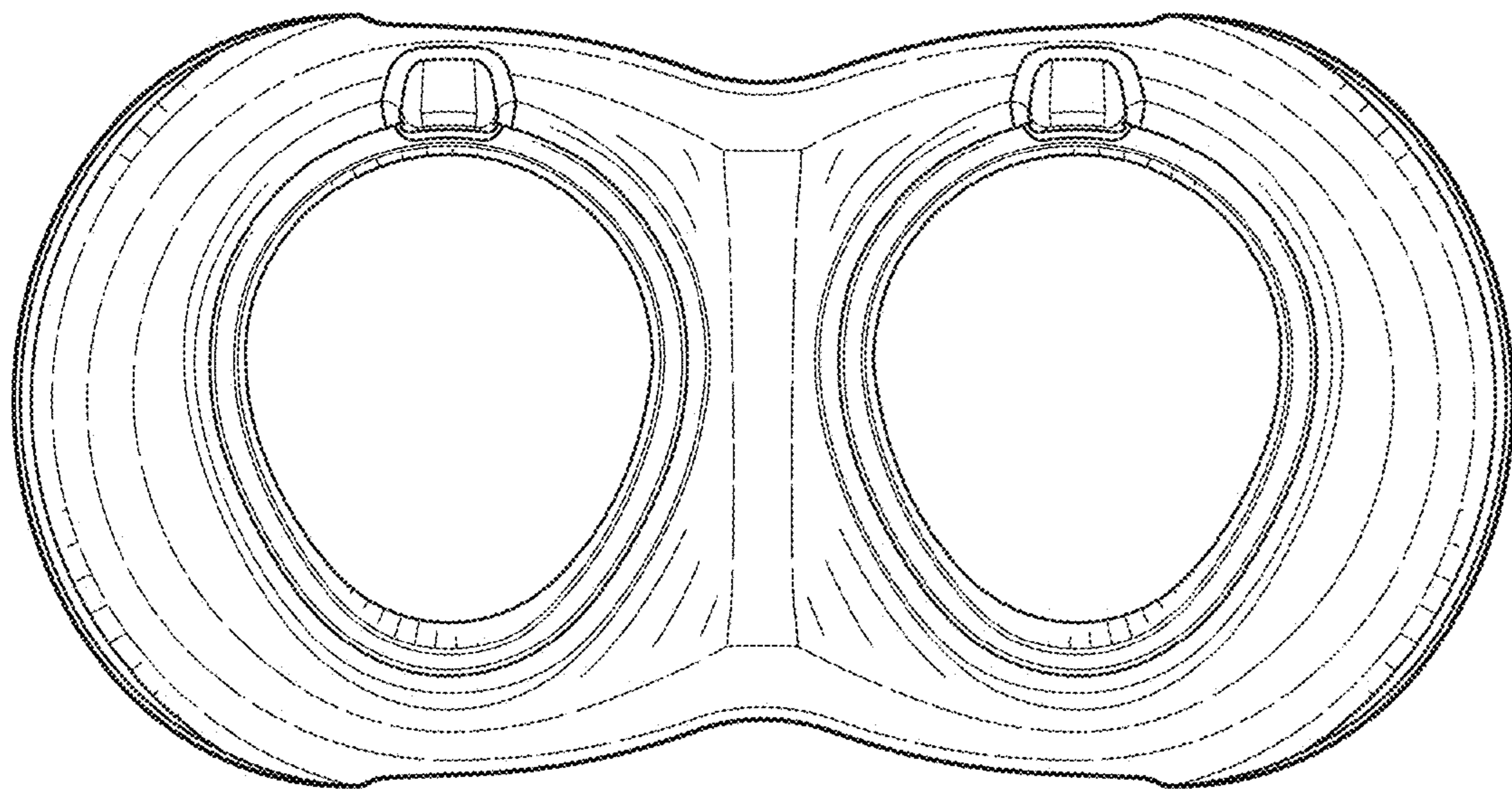


FIG. 9

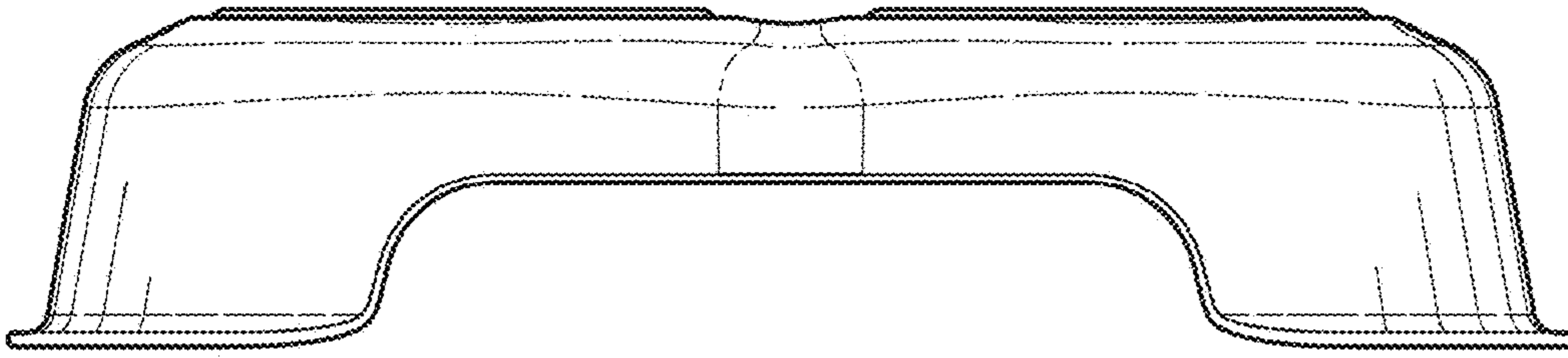


FIG. 10

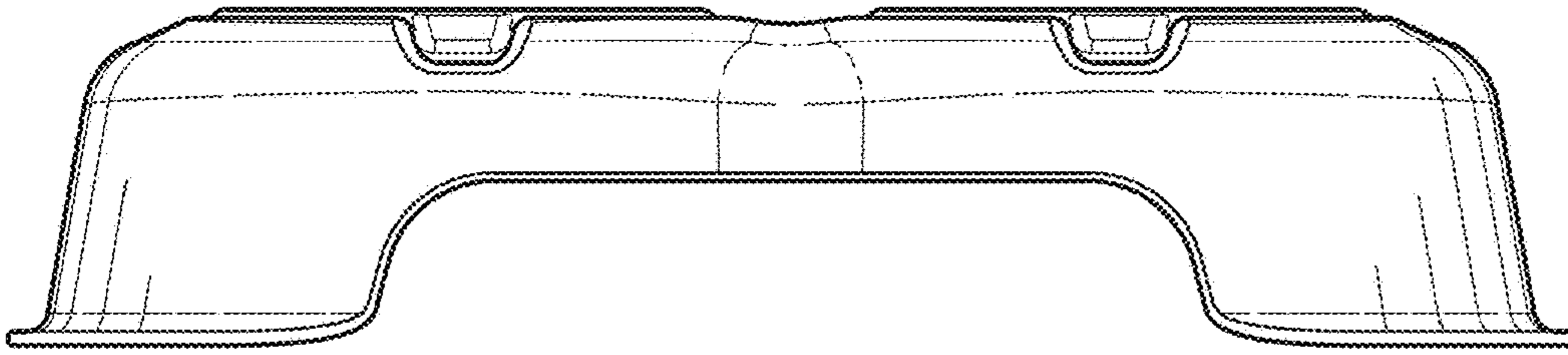


FIG. 11

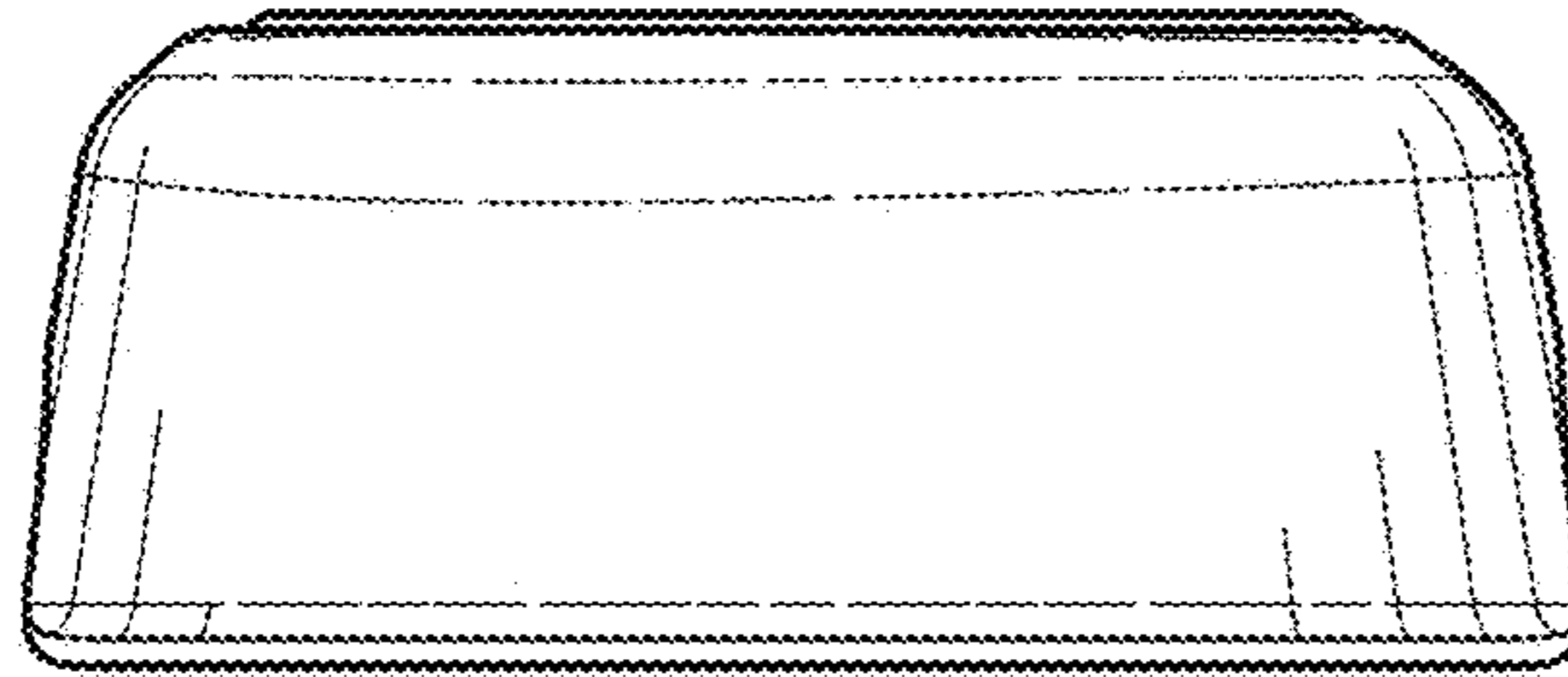


FIG. 12

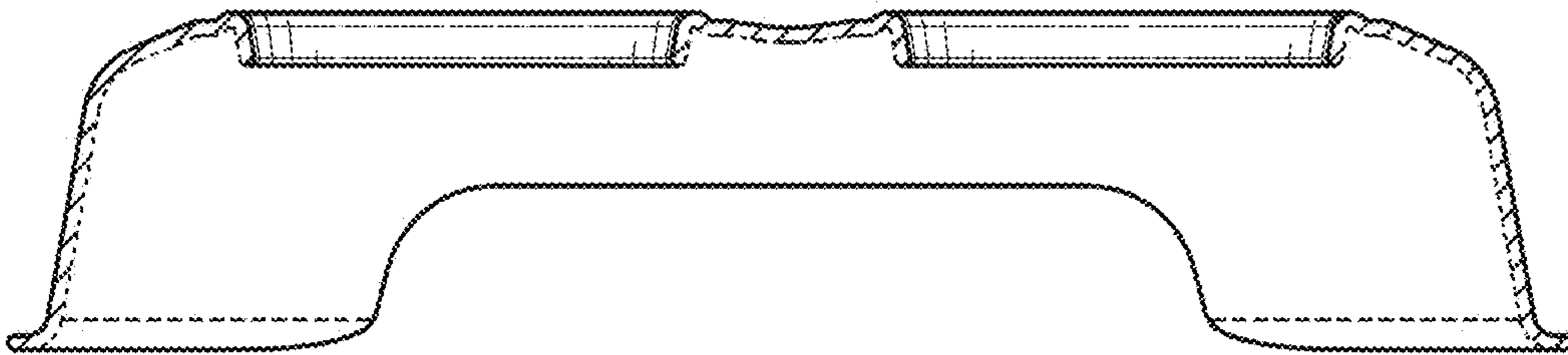


FIG. 13

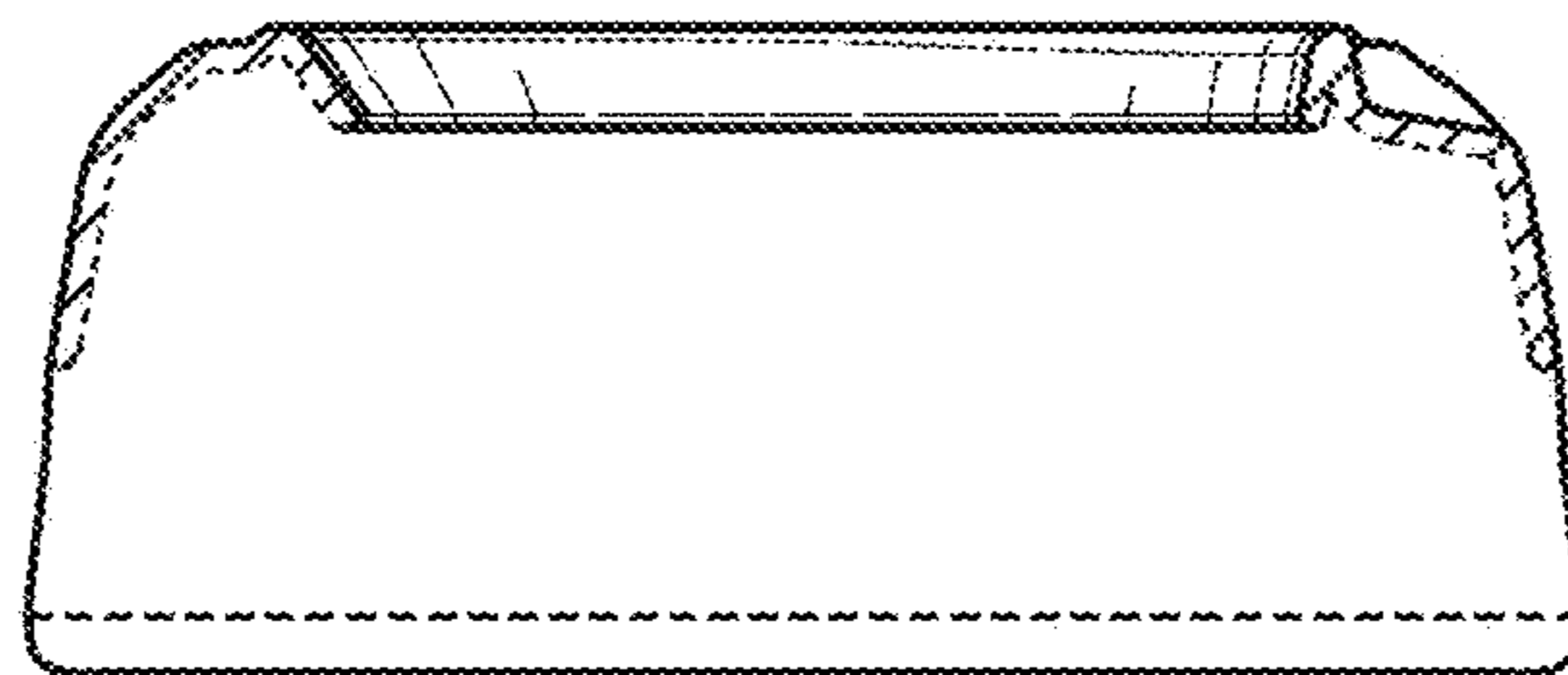


FIG. 14

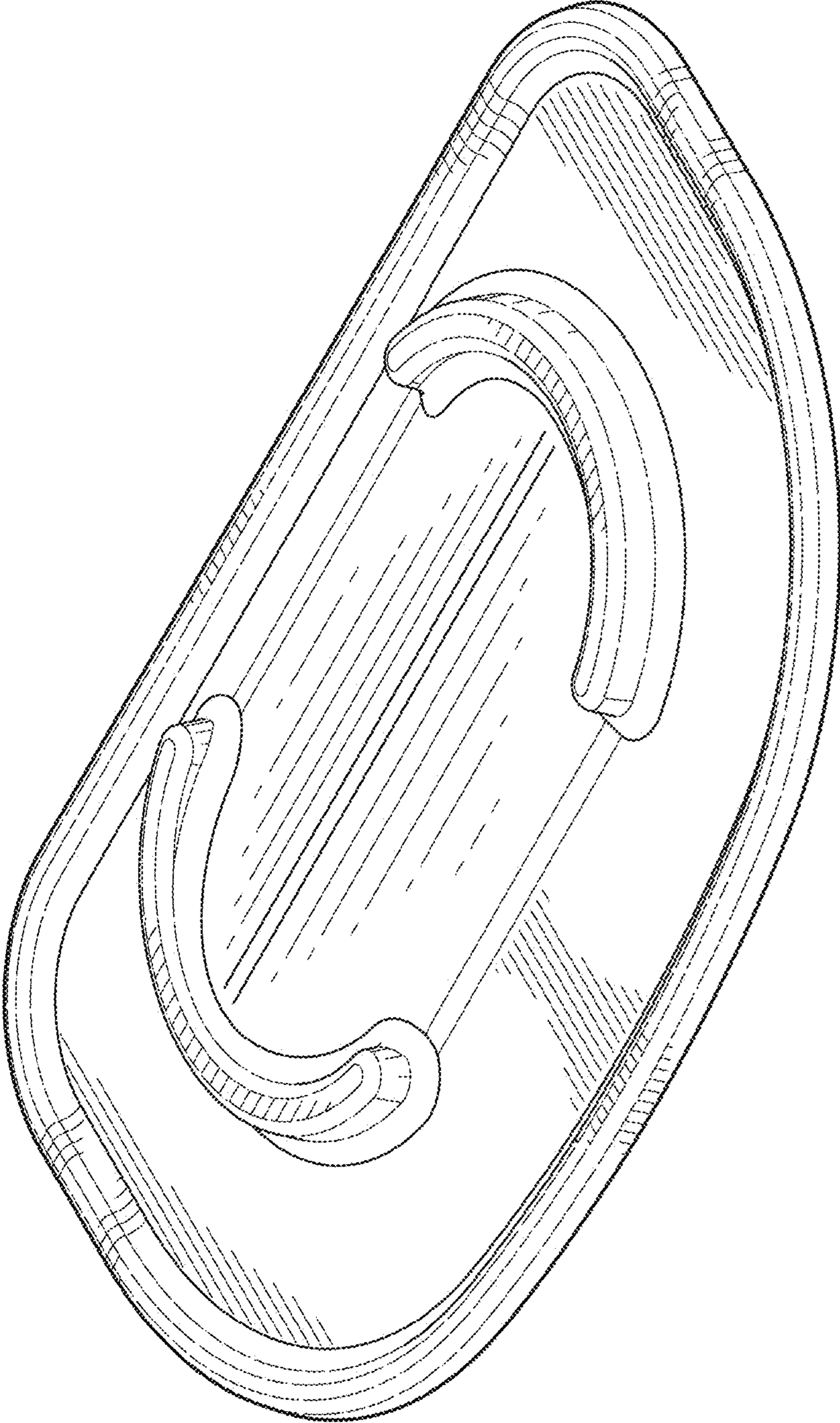


FIG. 15

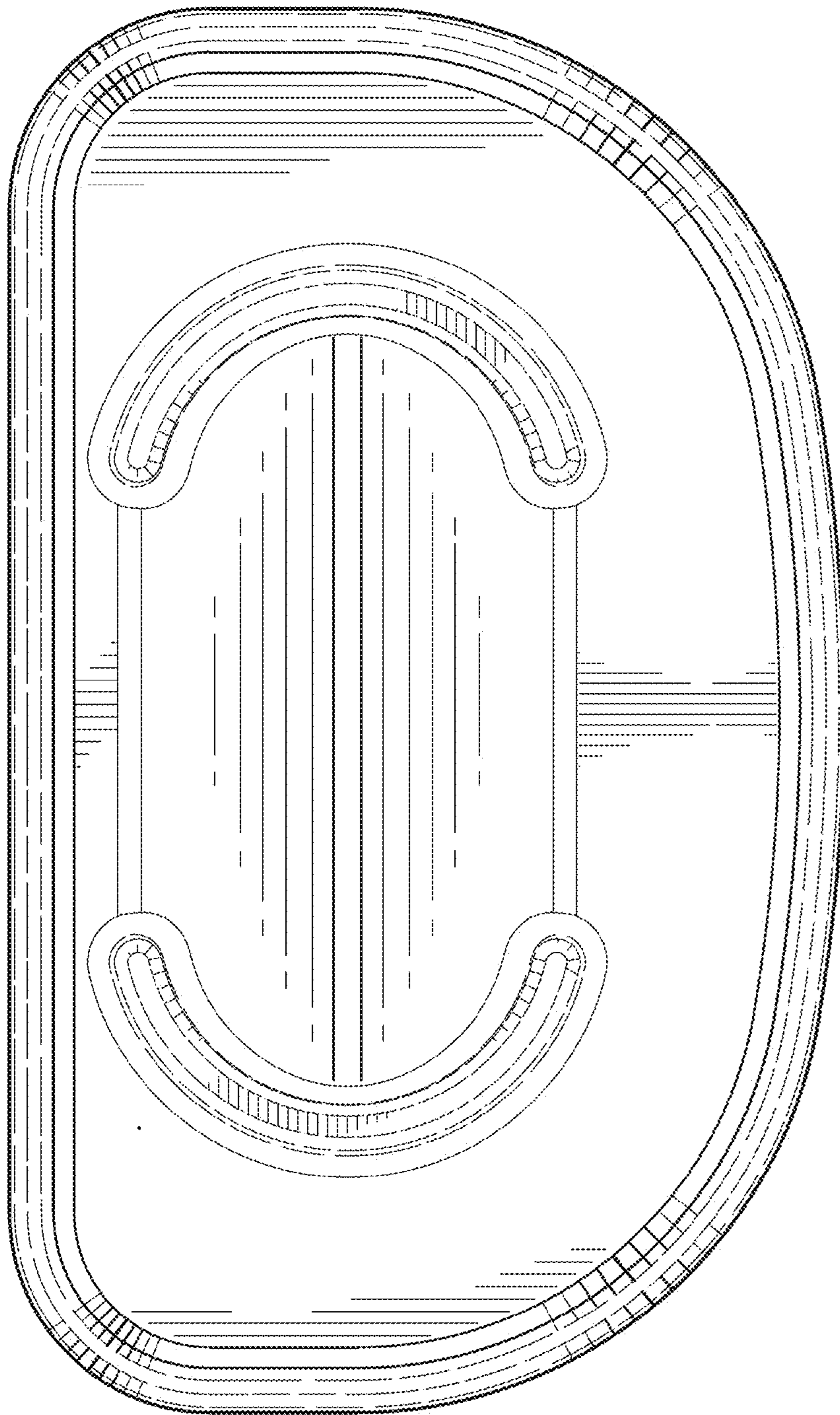


FIG. 16

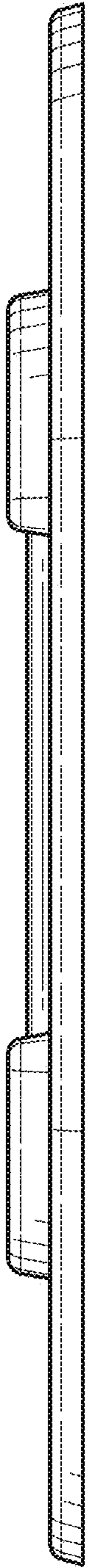


FIG. 17

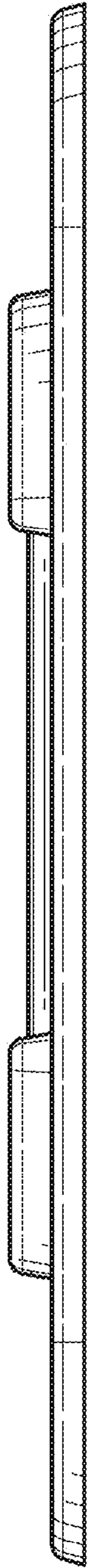


FIG. 18

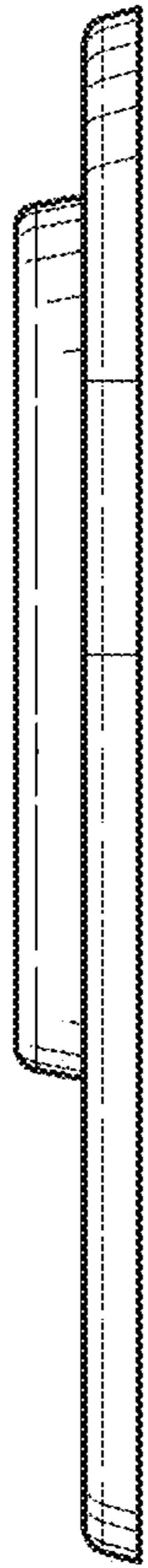


FIG. 19

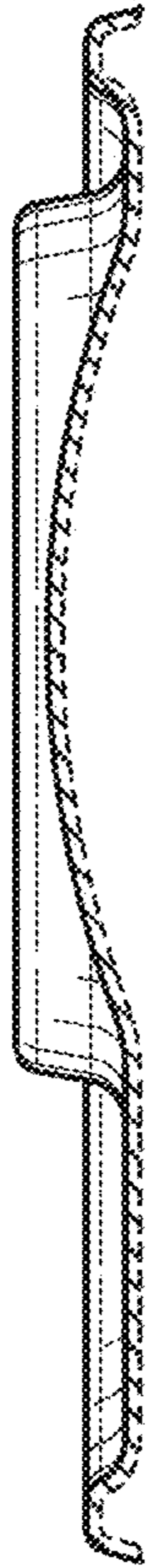


FIG. 20

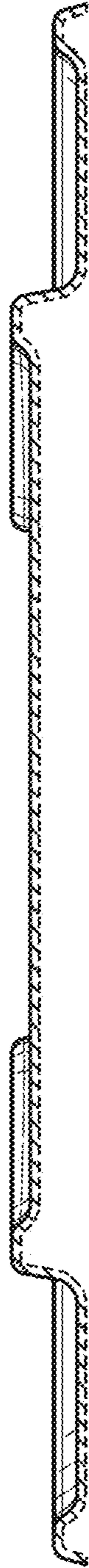


FIG. 21

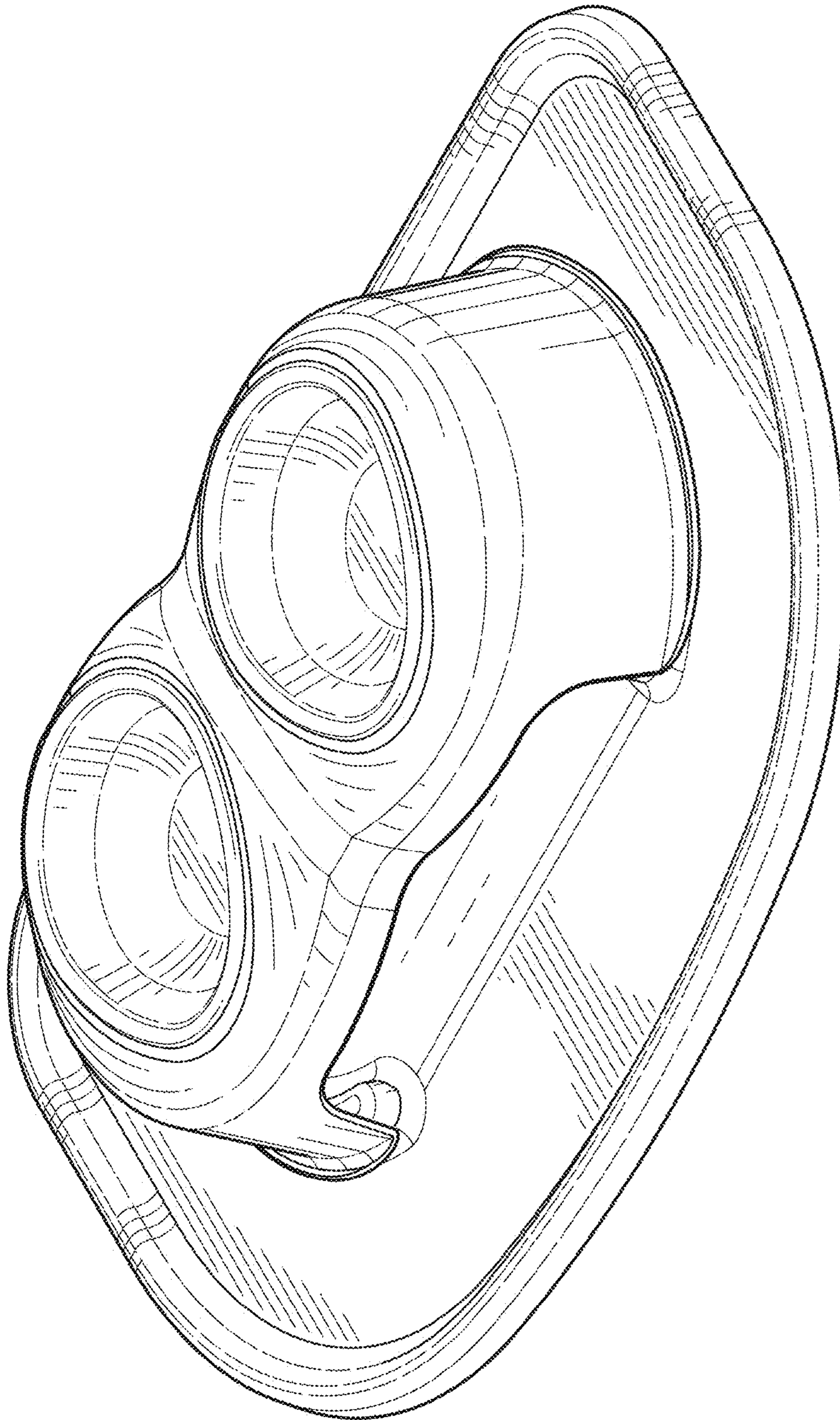


FIG. 22

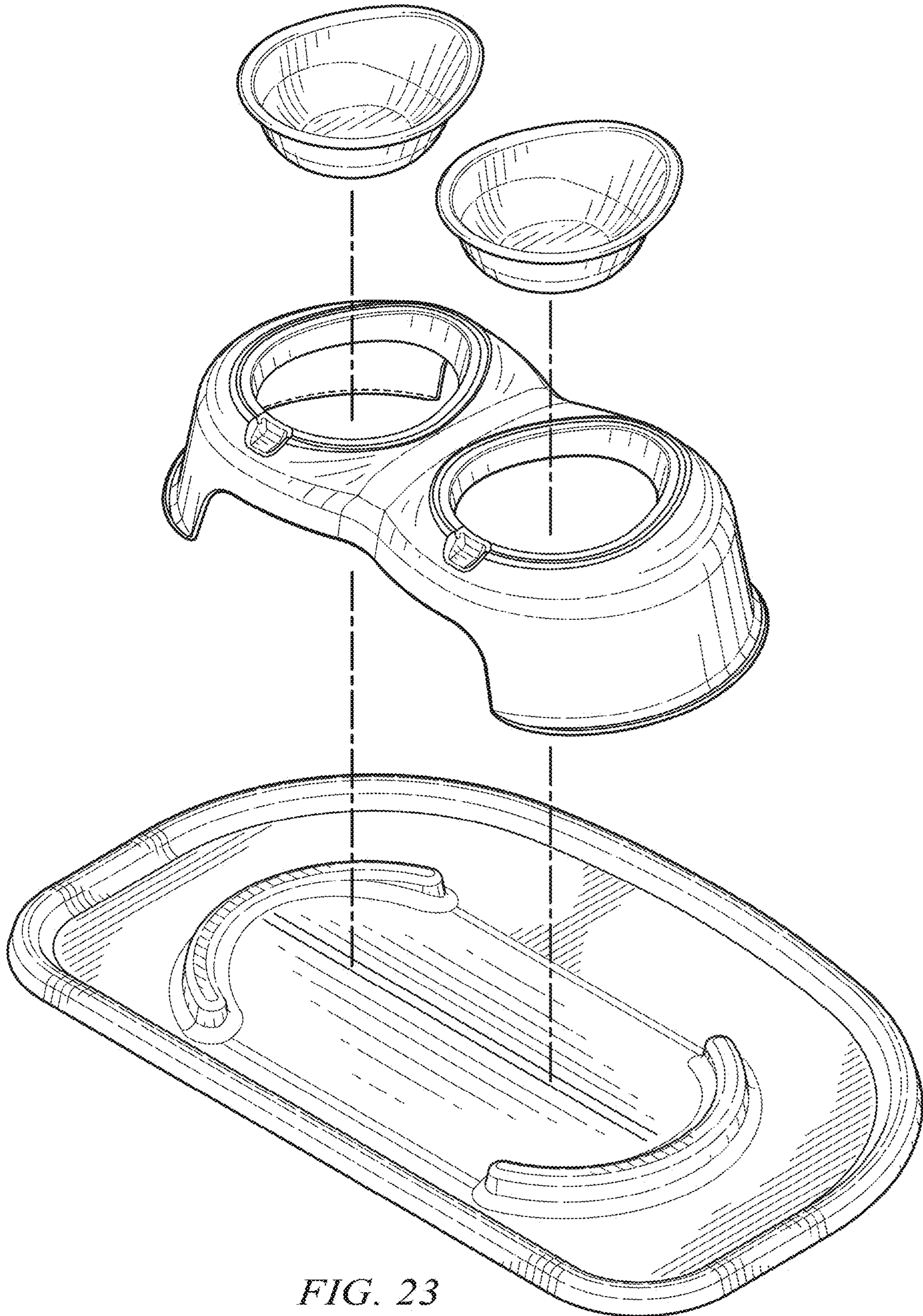


FIG. 23

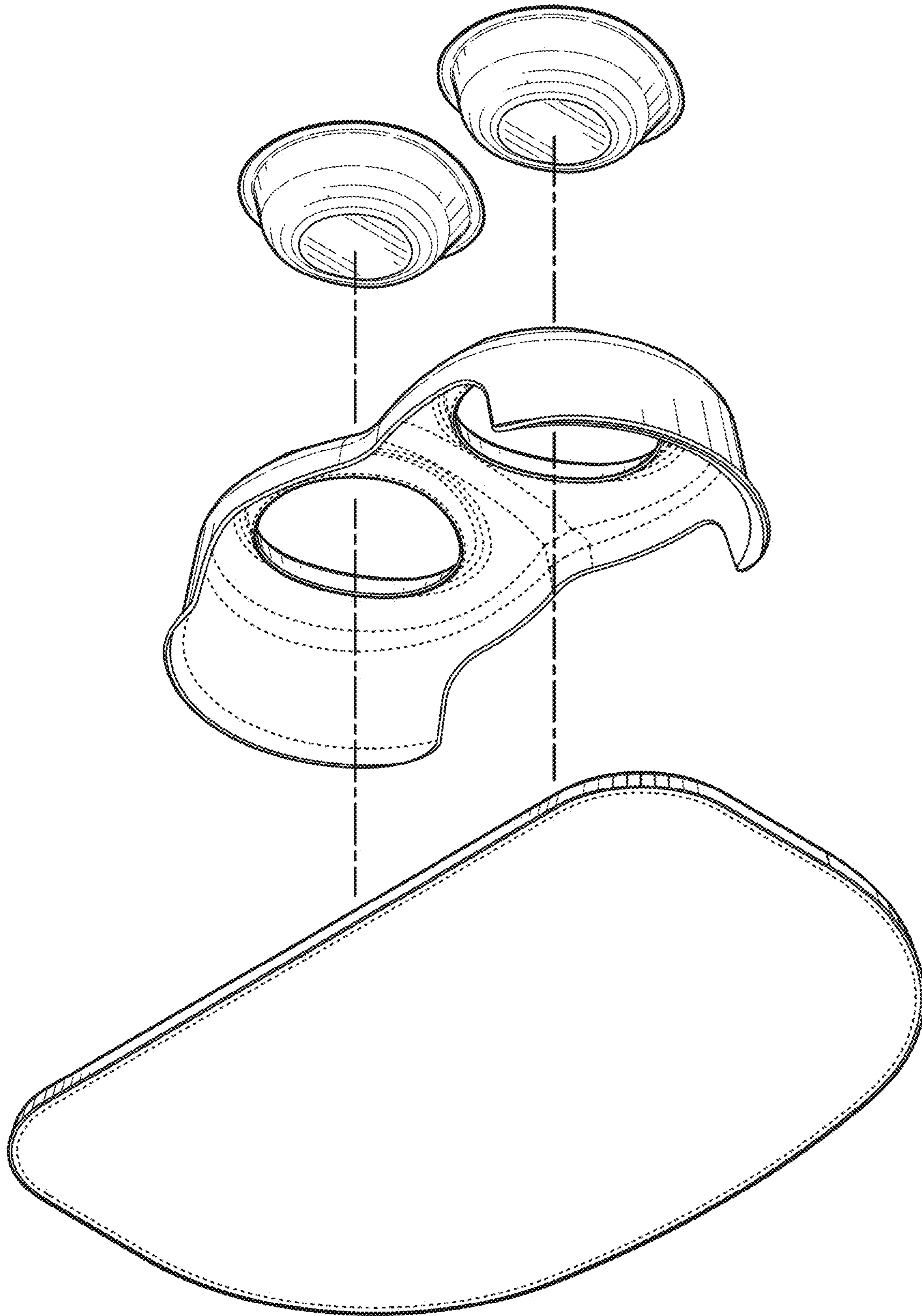


FIG. 24

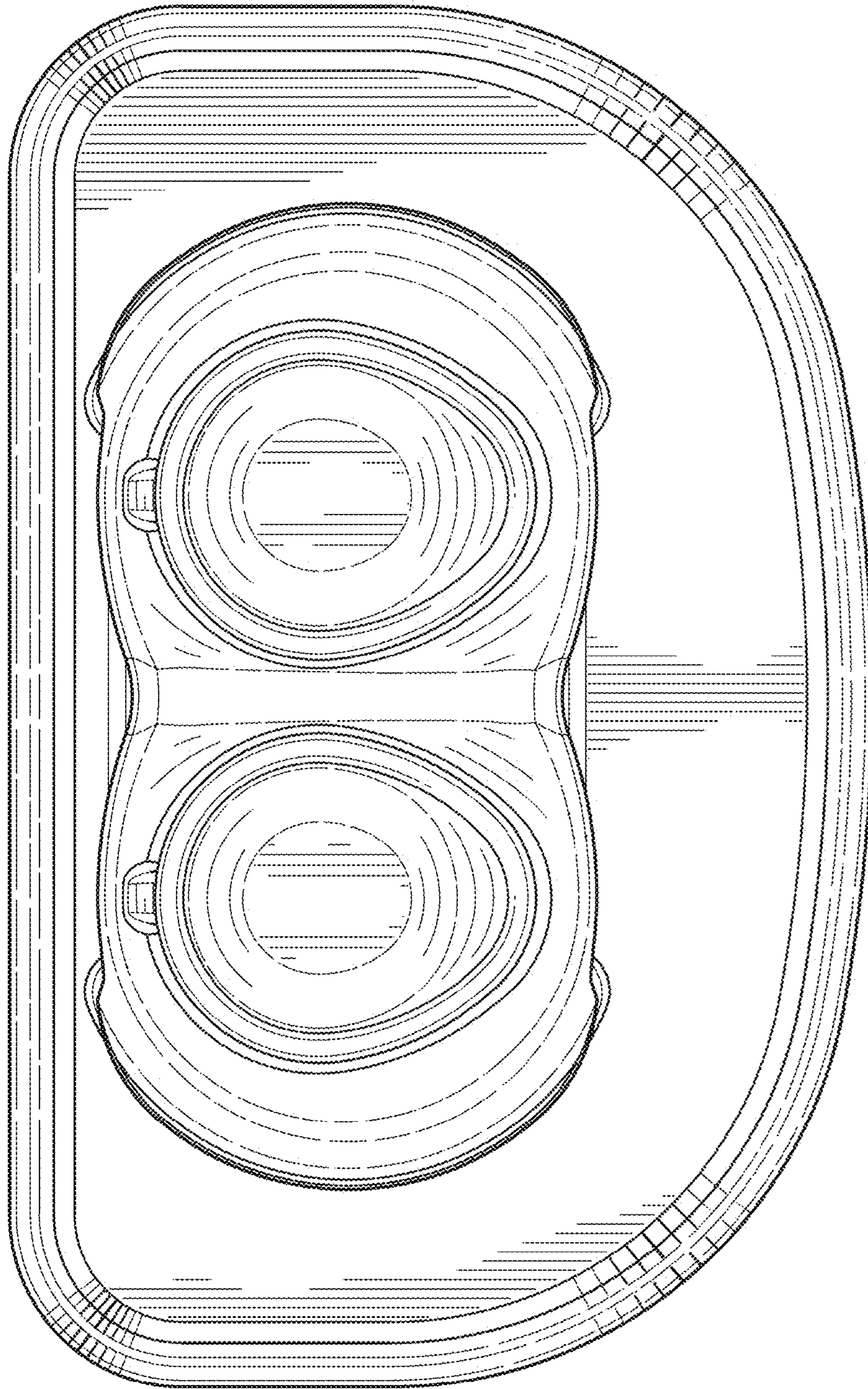


FIG. 25

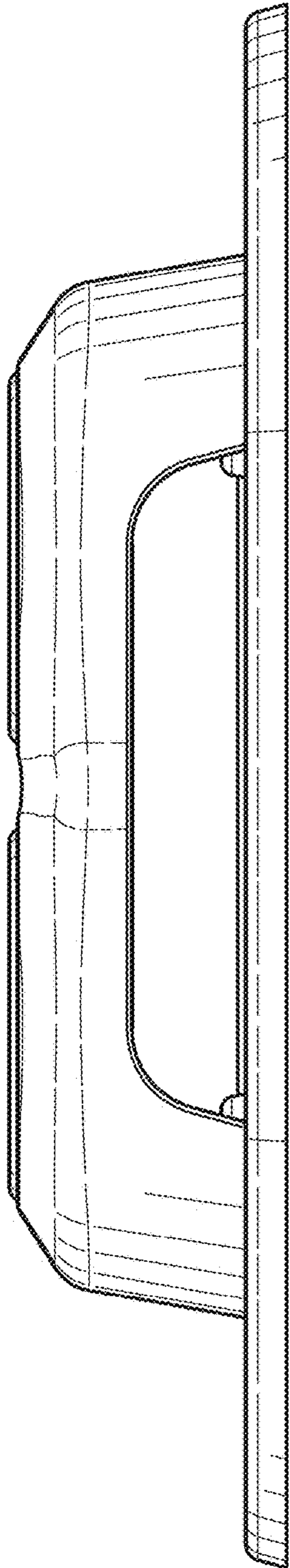


FIG. 26

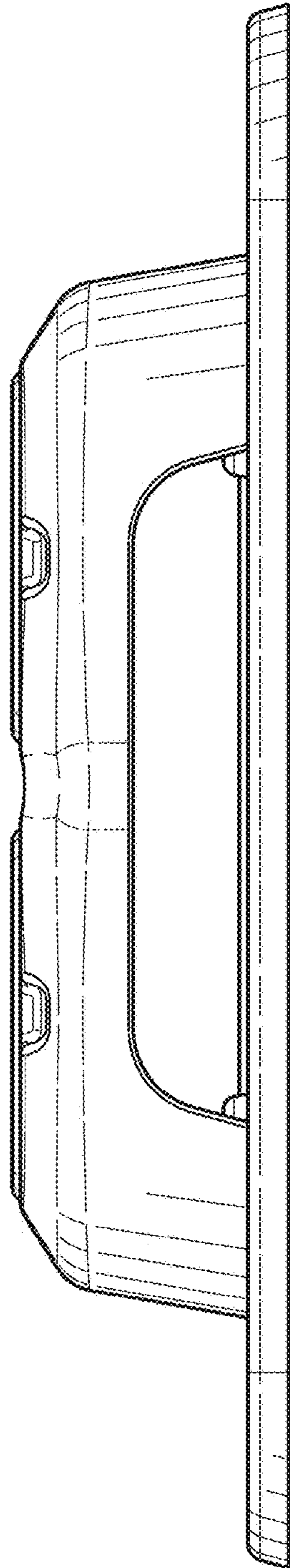


FIG. 27

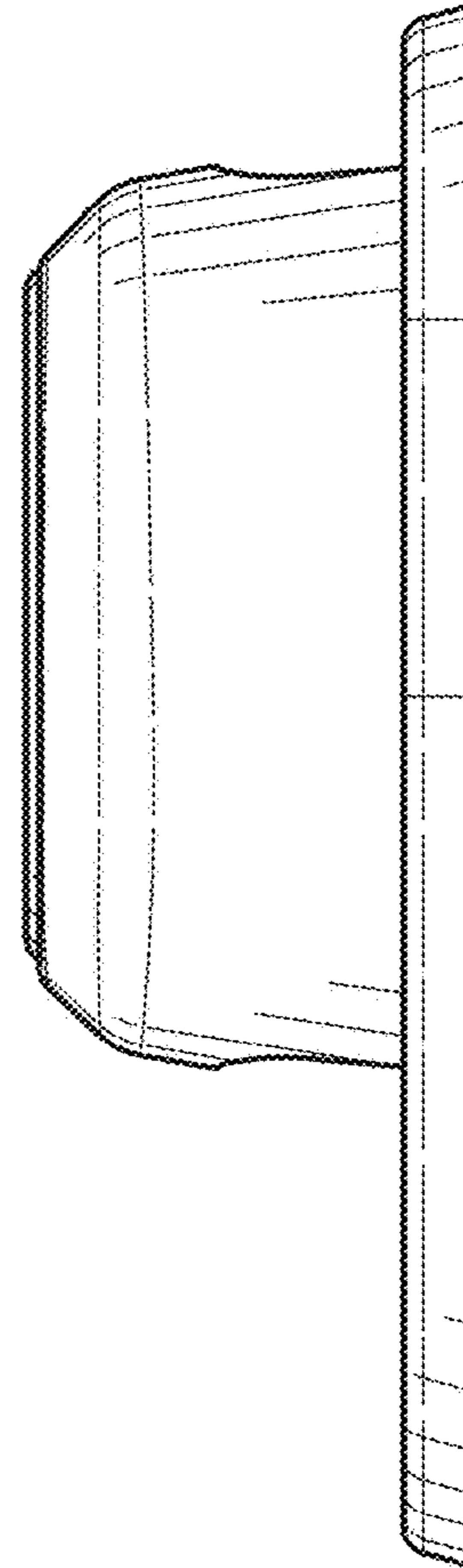


FIG. 28

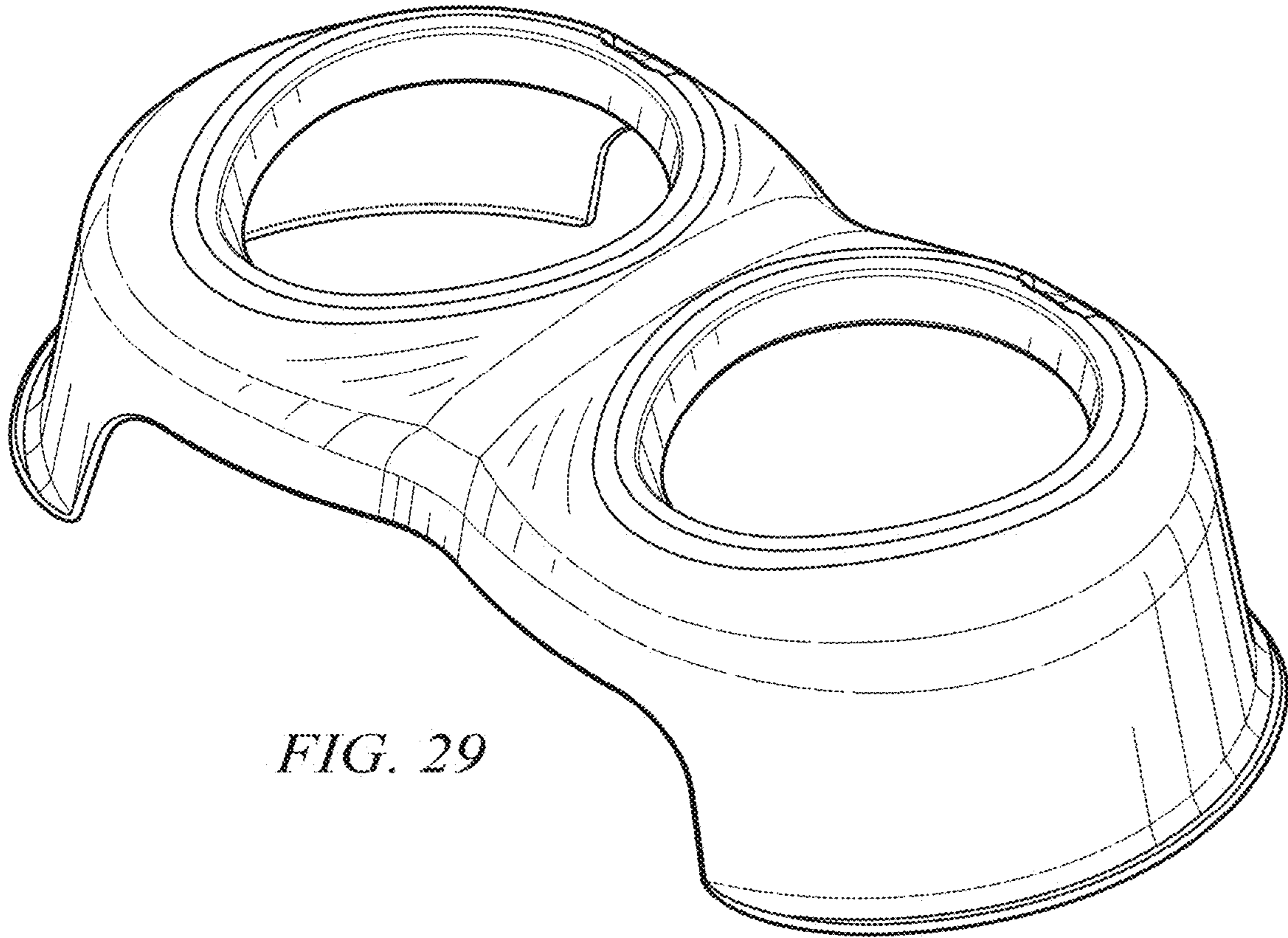


FIG. 29

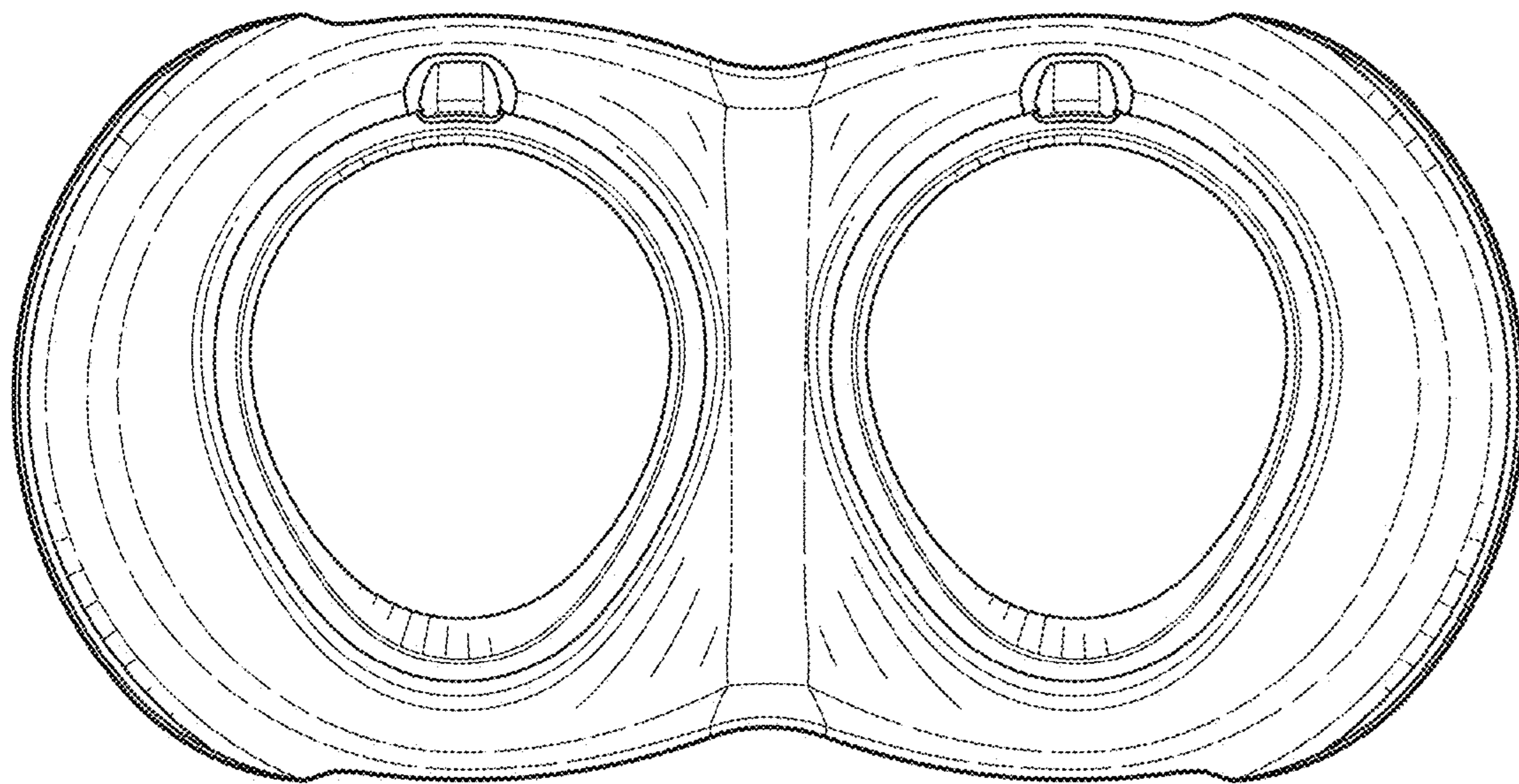


FIG. 30

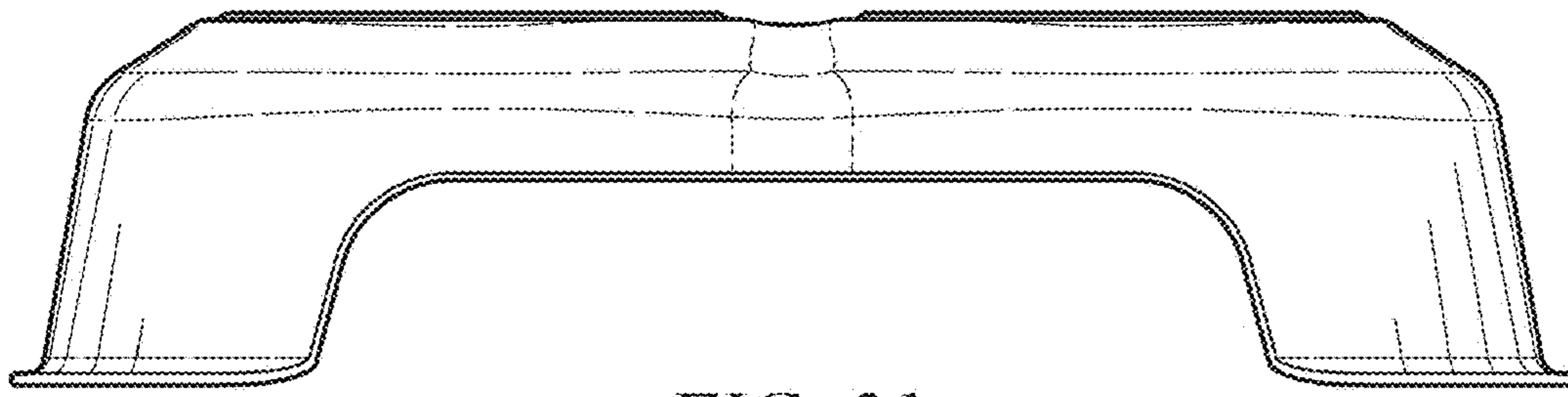


FIG. 31

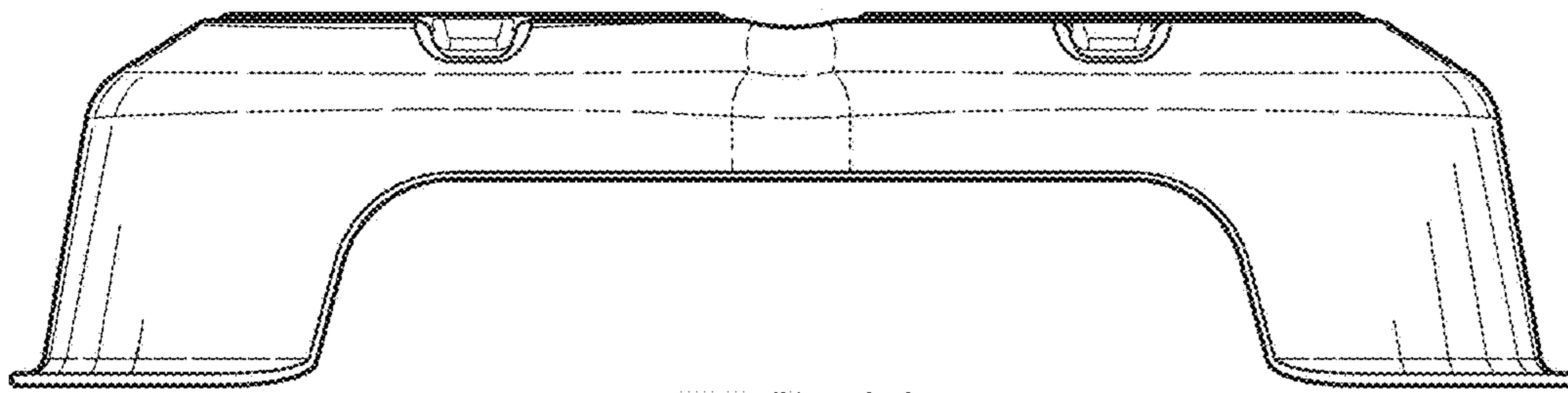


FIG. 32

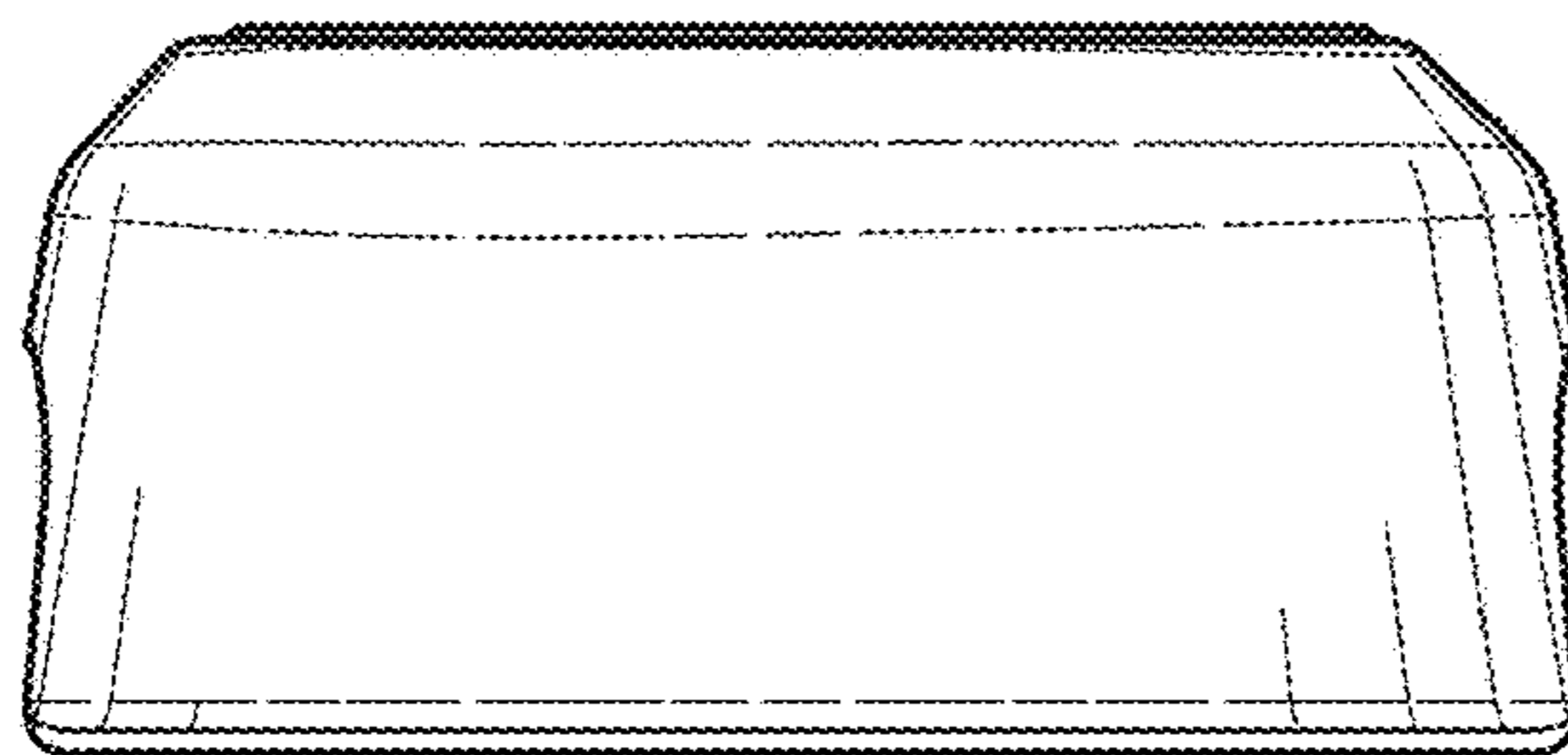


FIG. 33

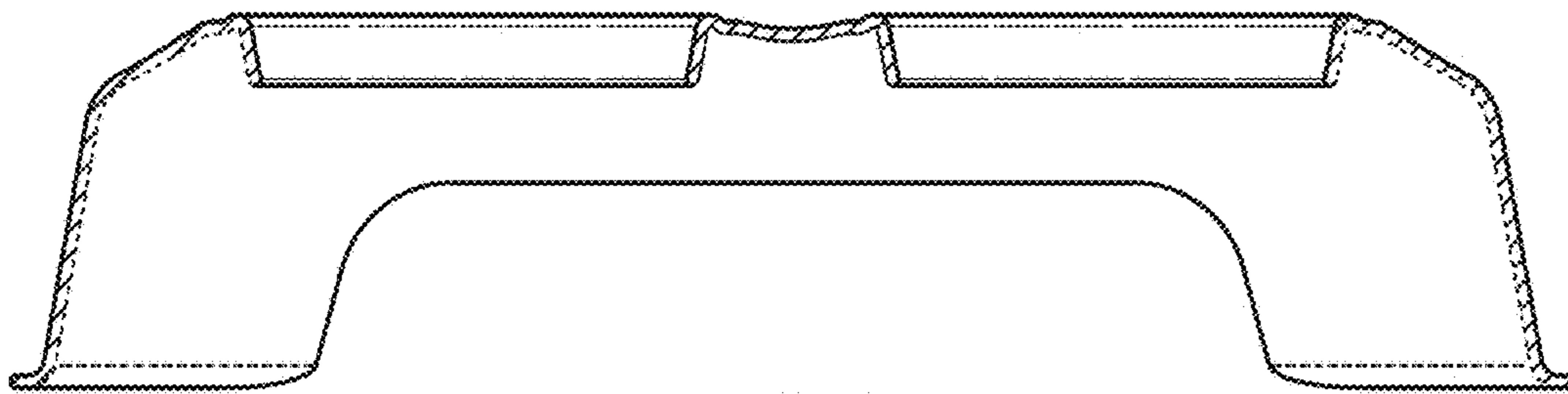


FIG. 34

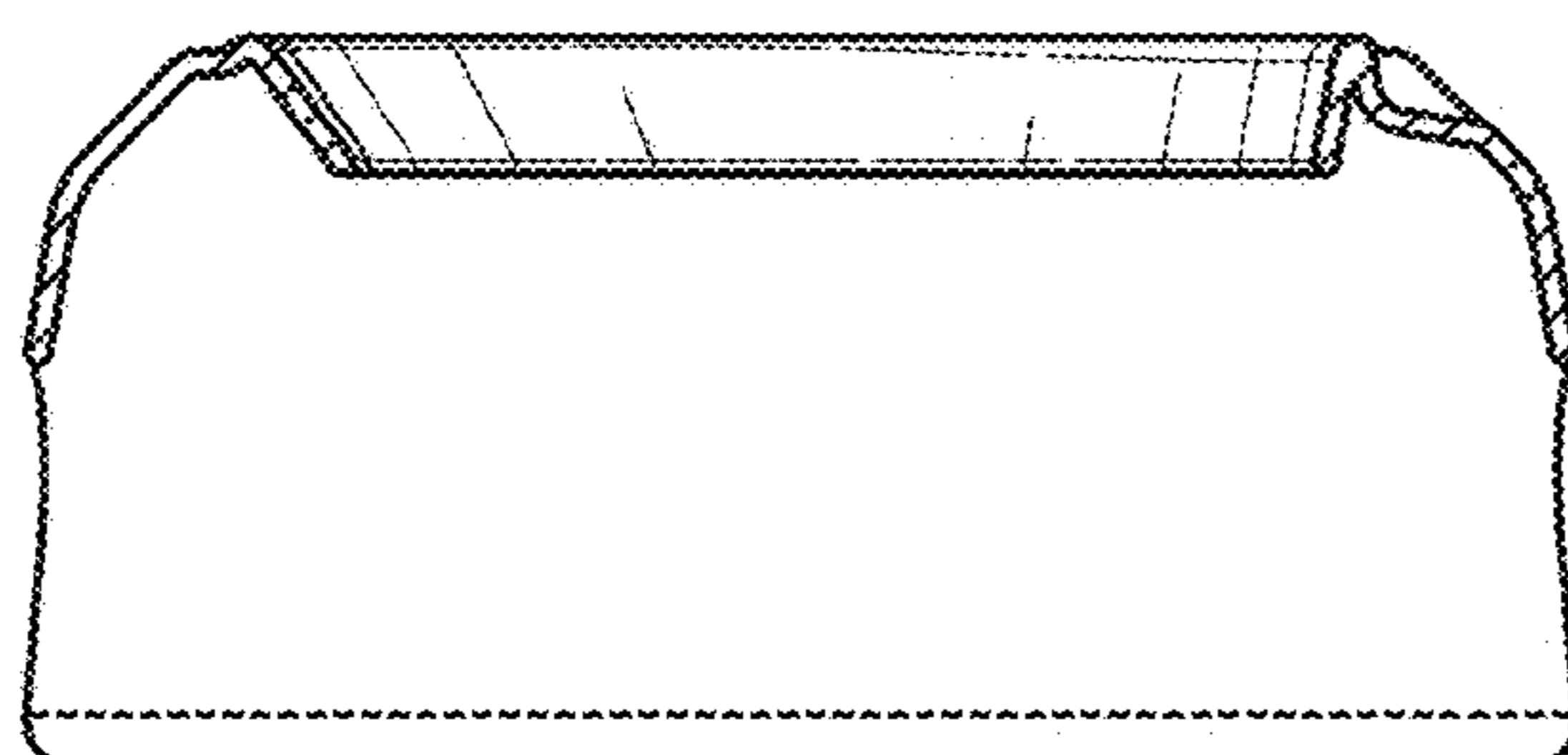


FIG. 35

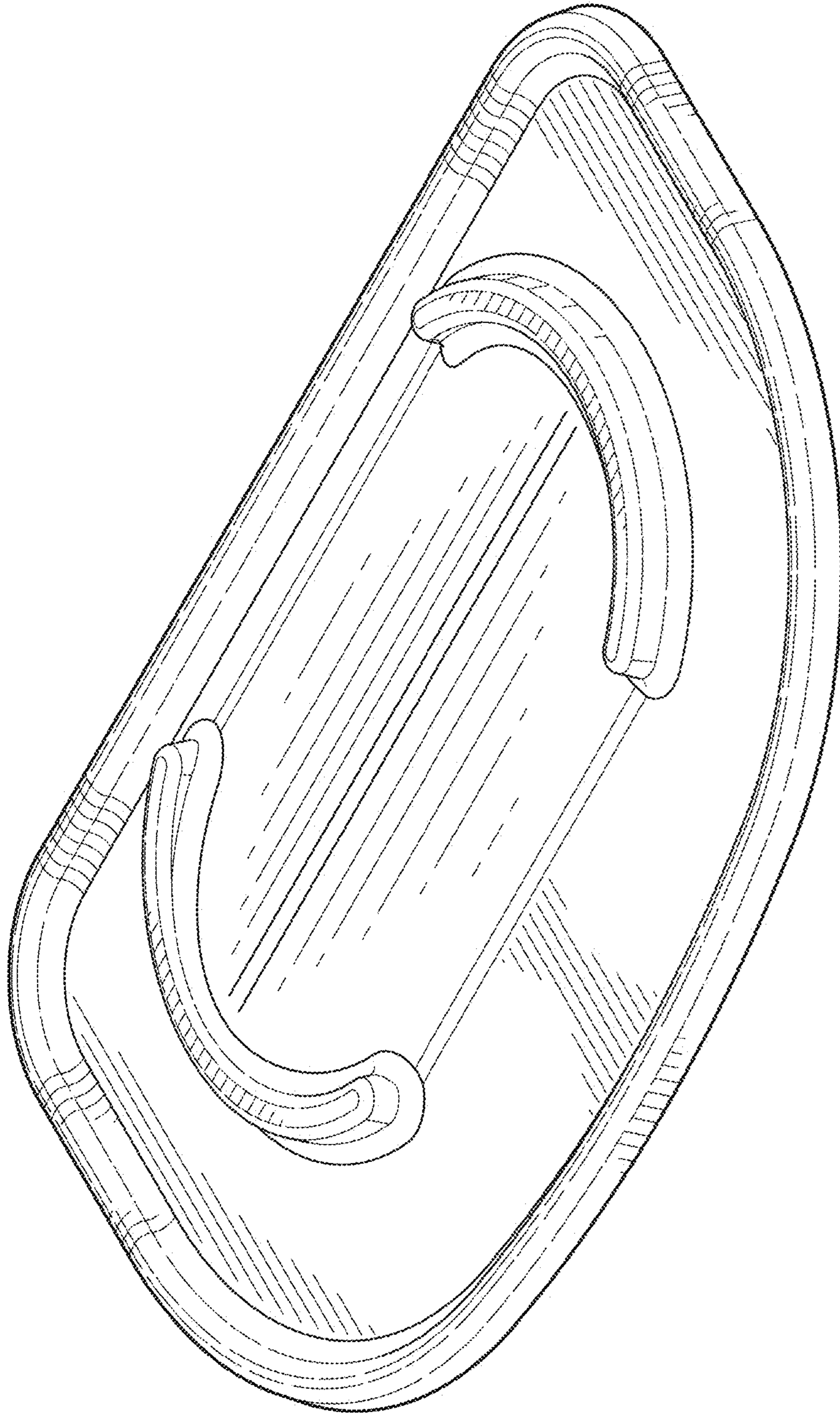


FIG. 36

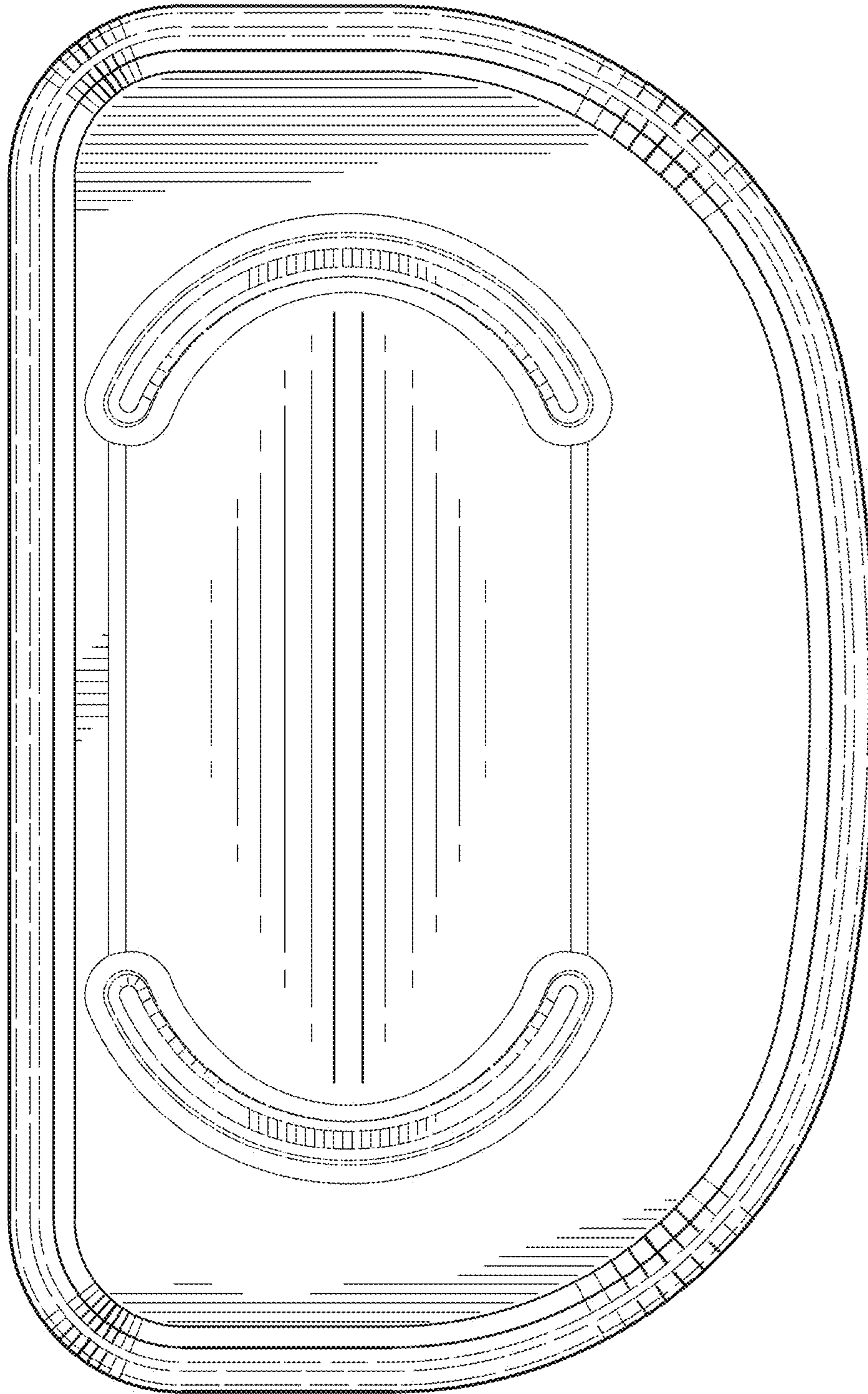


FIG. 37

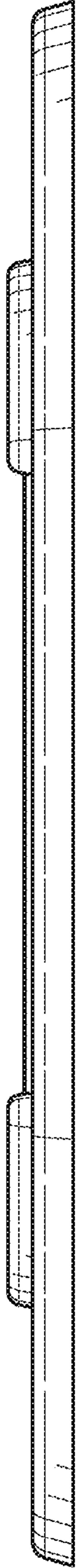


FIG. 38

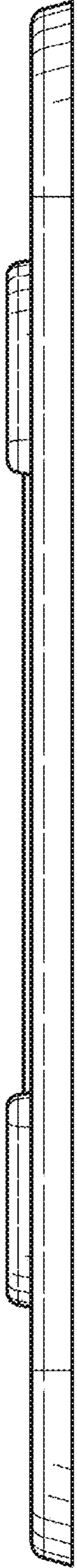


FIG. 39

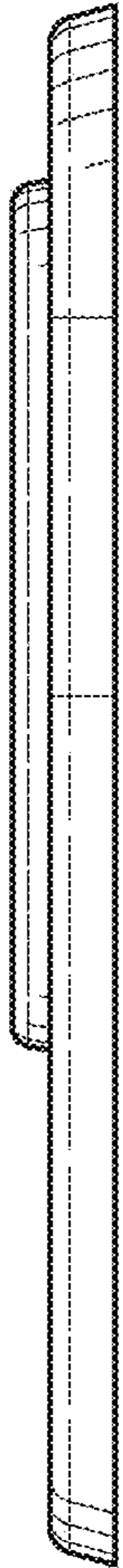


FIG. 40

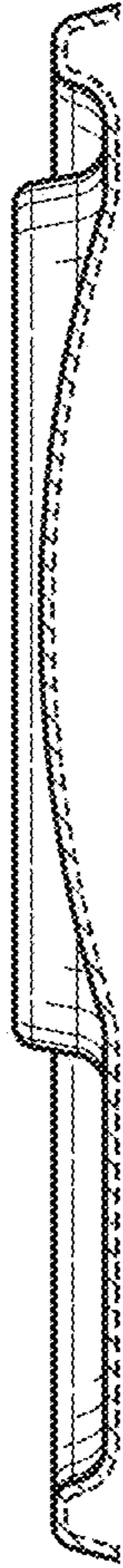


FIG. 41

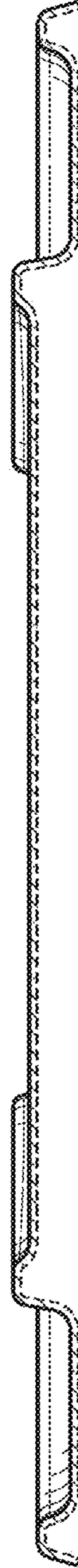


FIG. 42

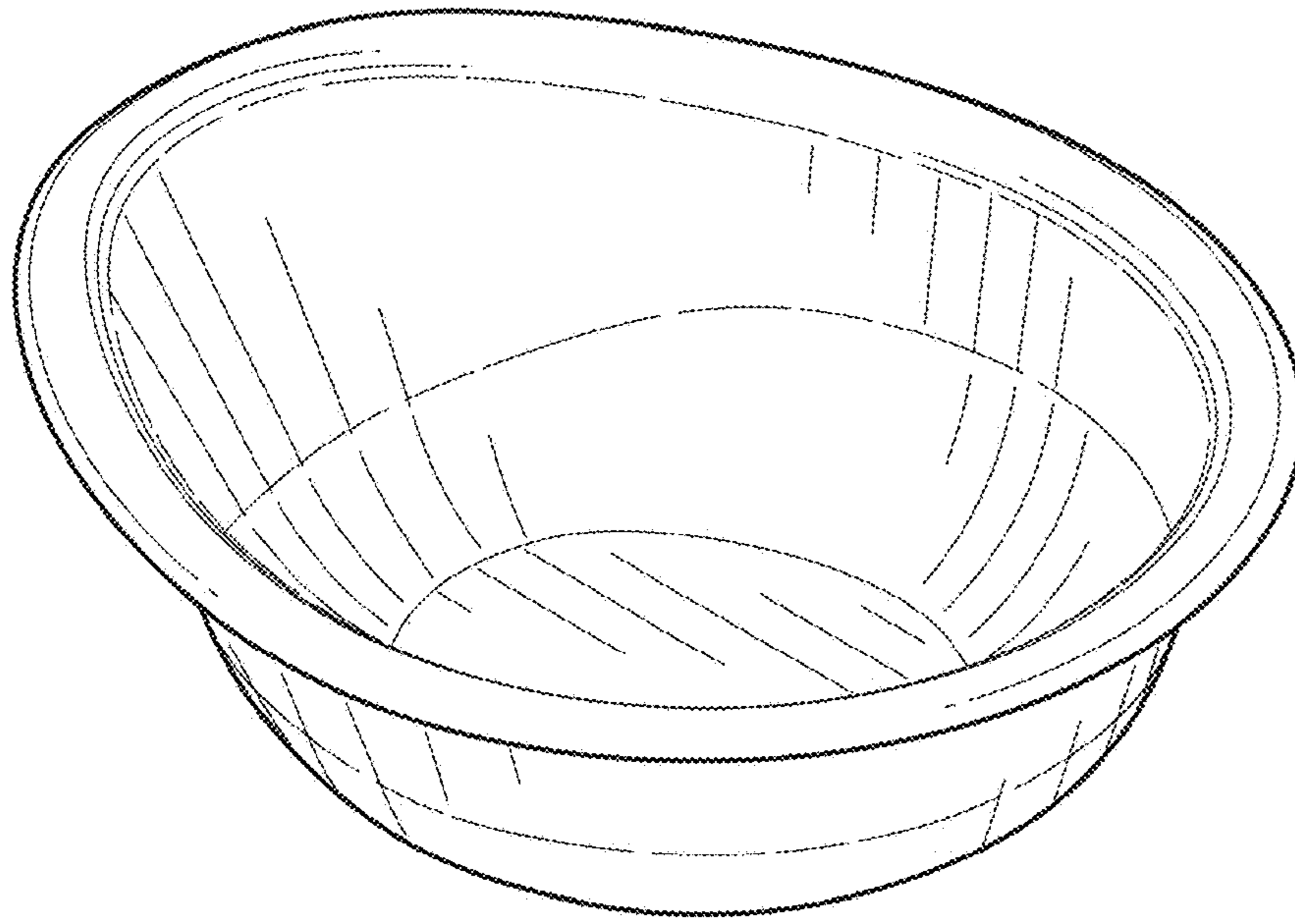


FIG. 43

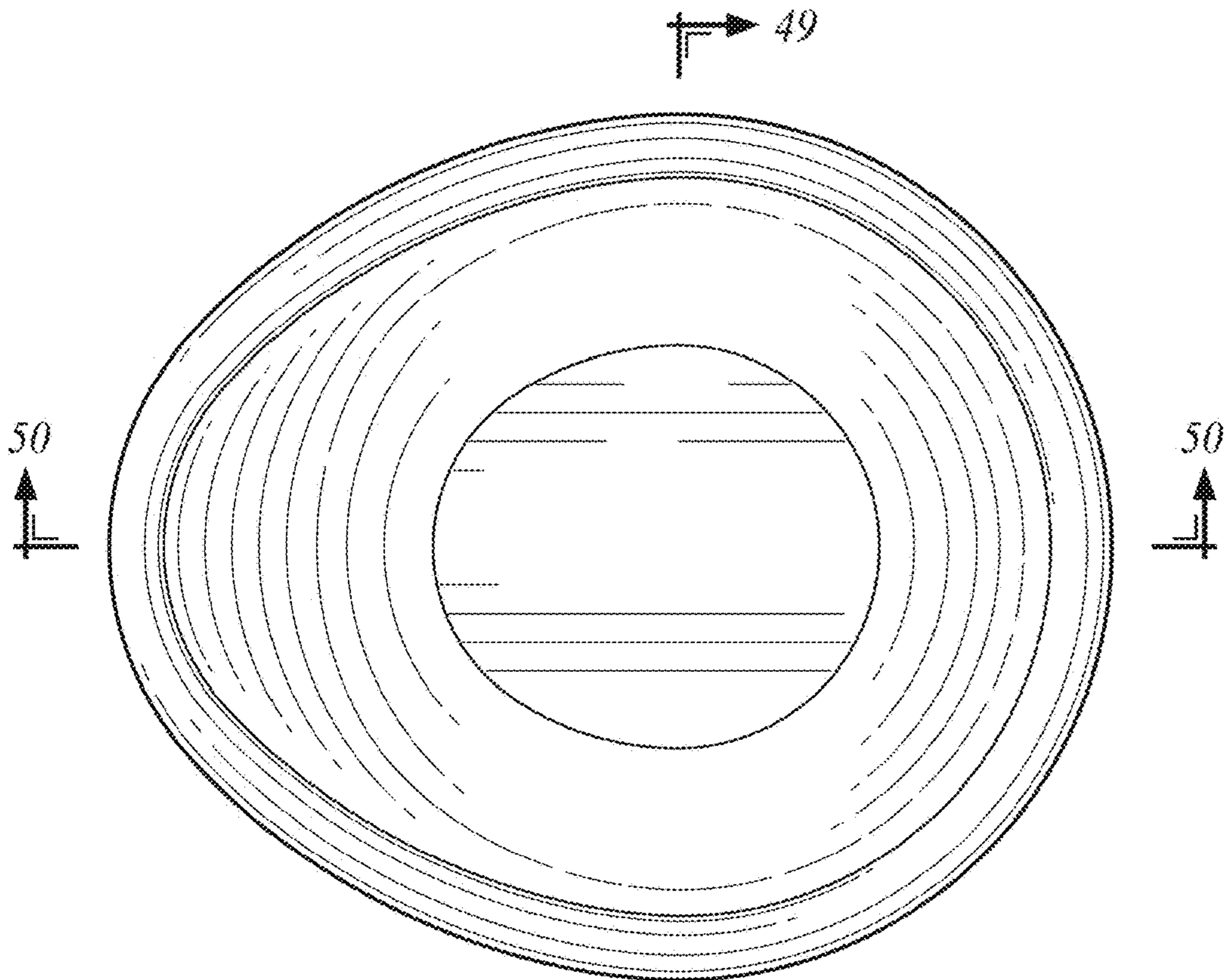


FIG. 44

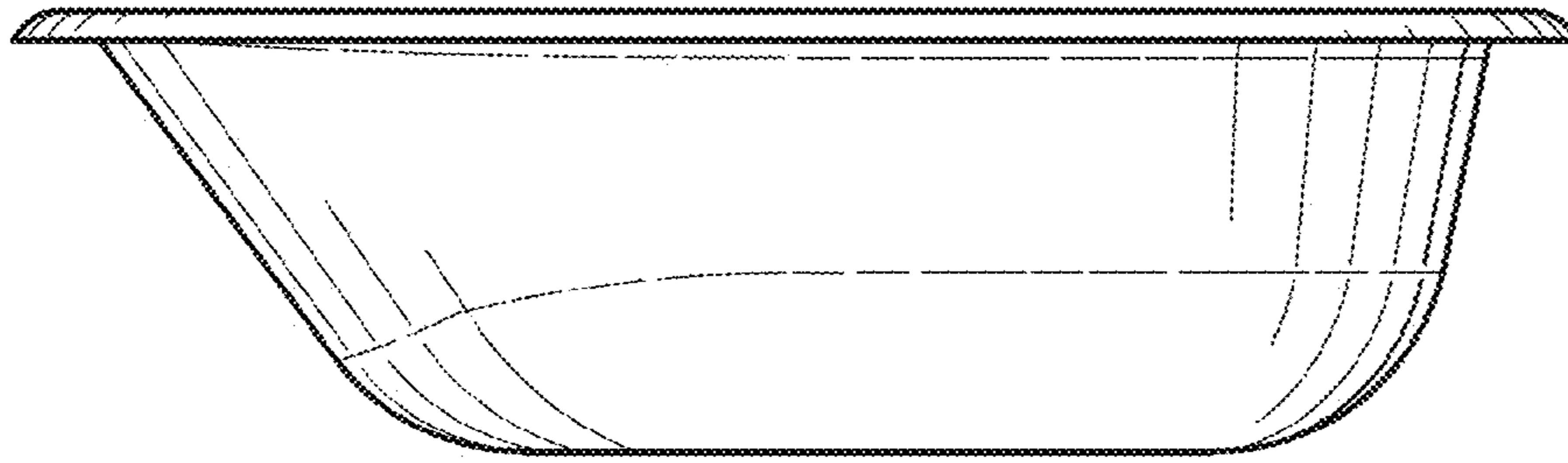


FIG. 45

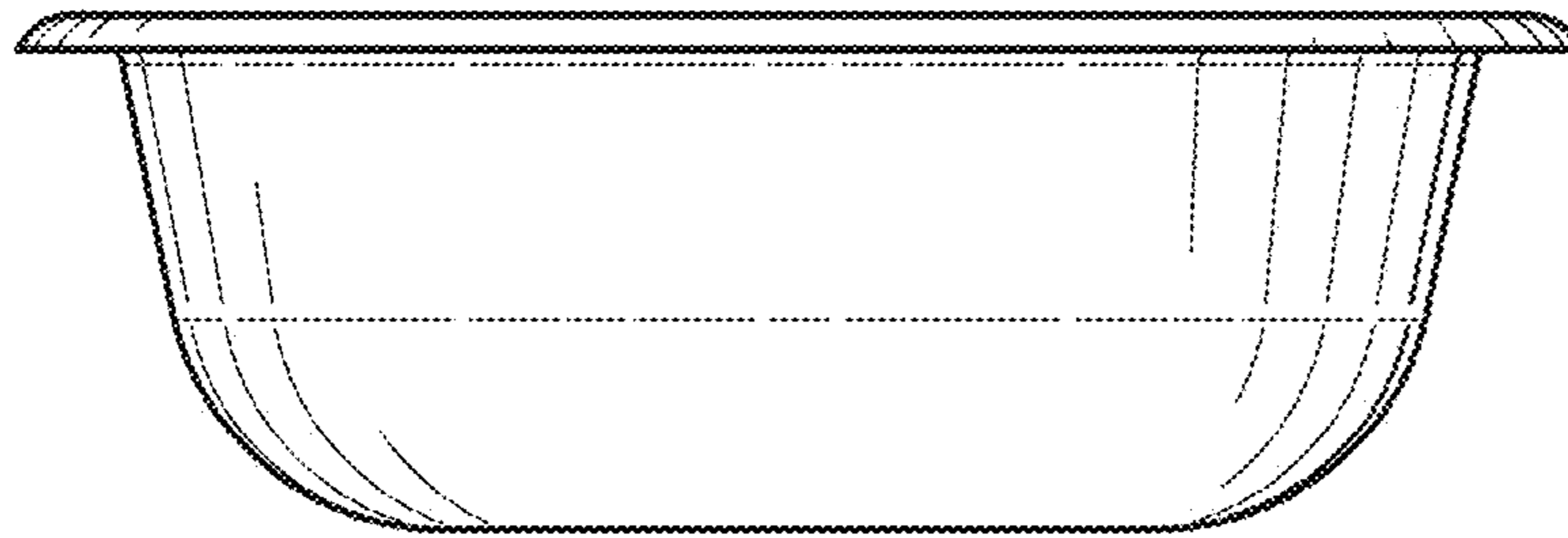


FIG. 46

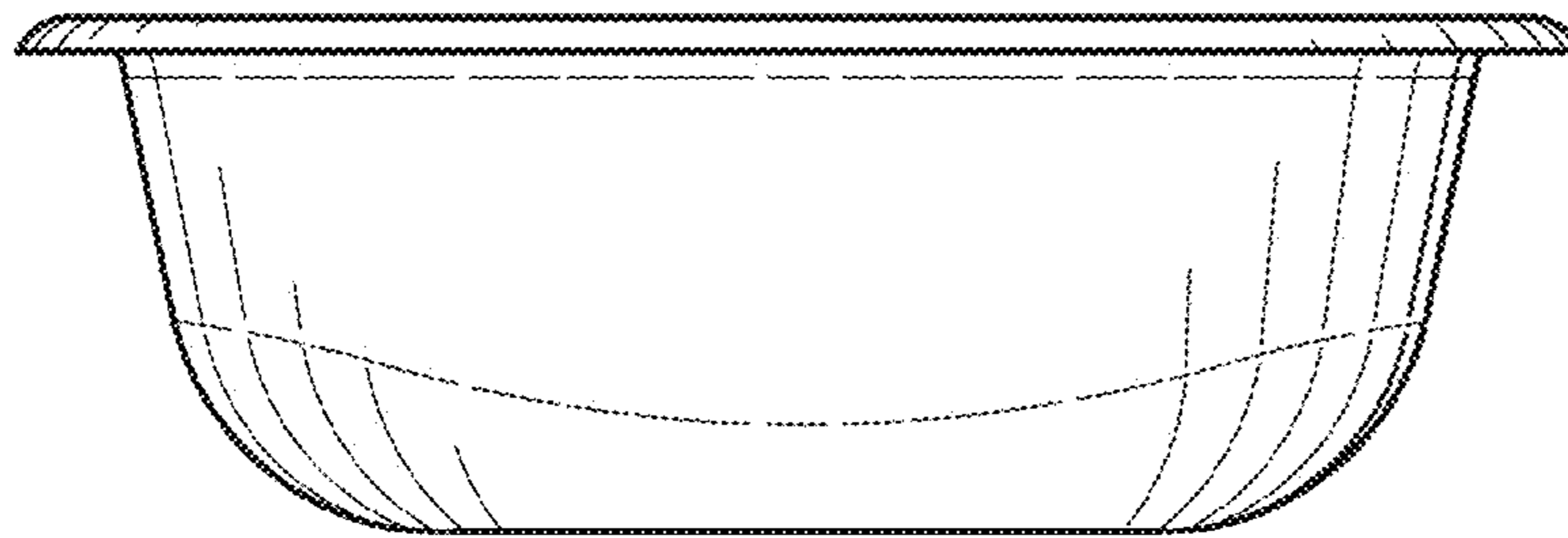


FIG. 47

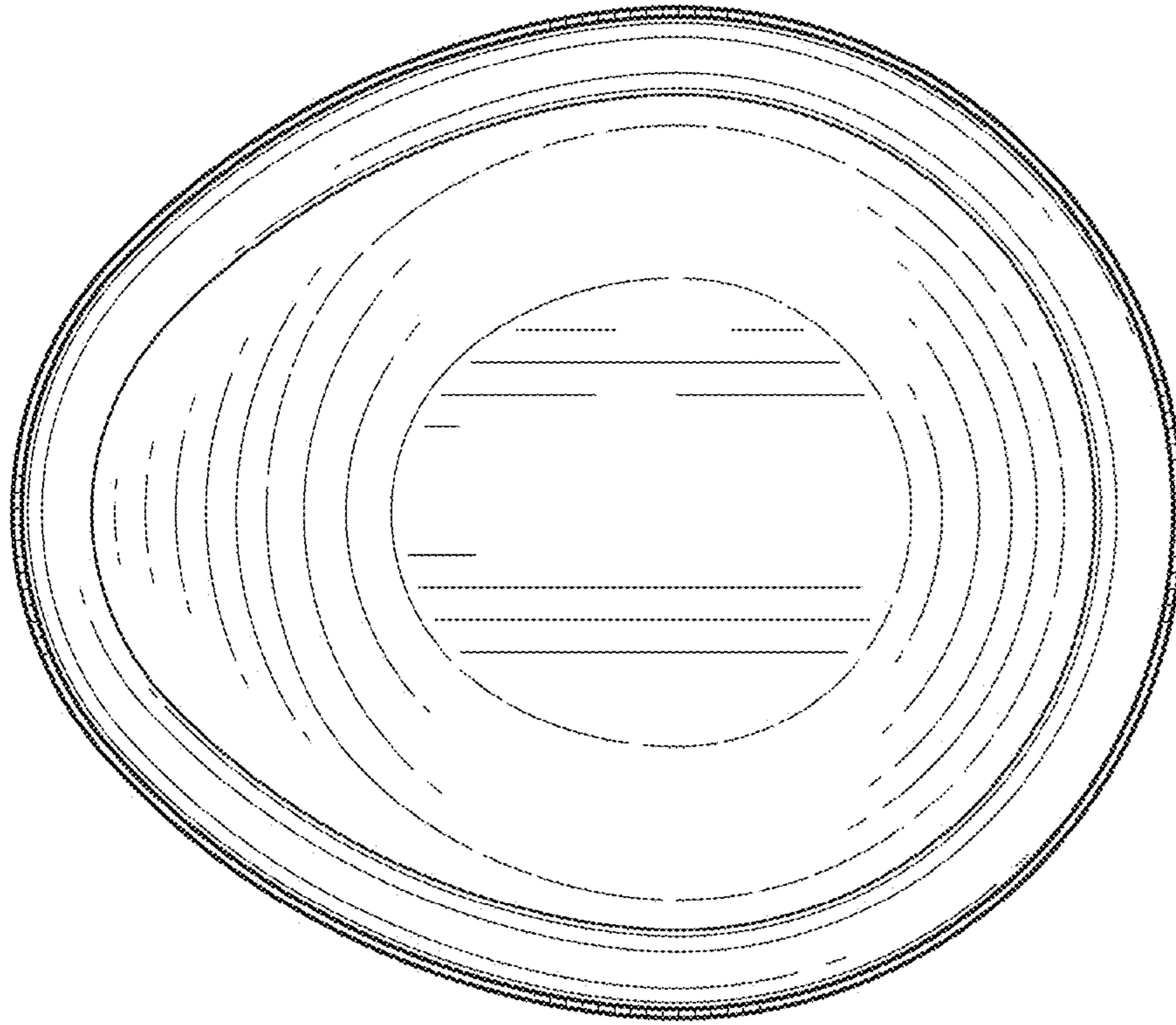


FIG. 48

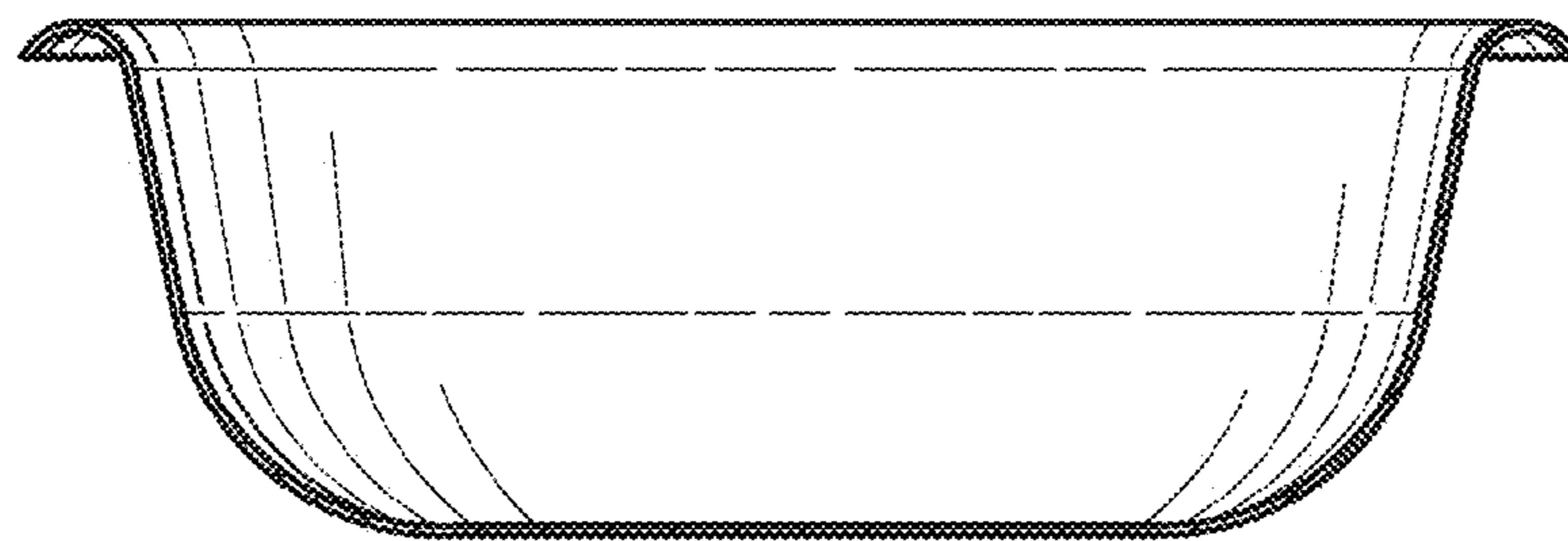


FIG. 49

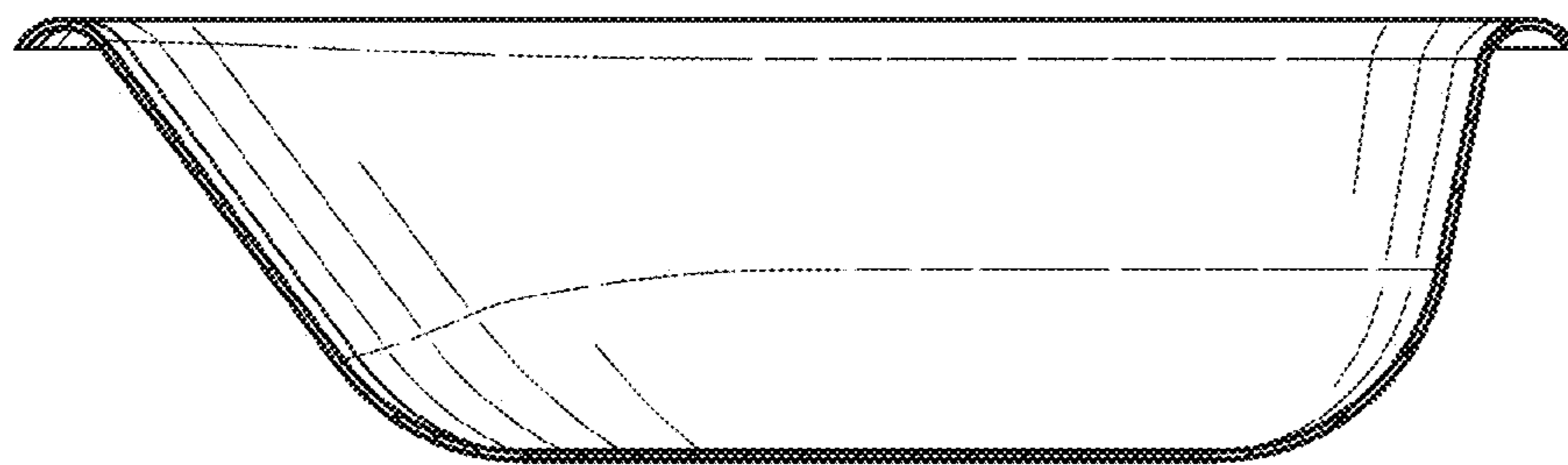


FIG. 50

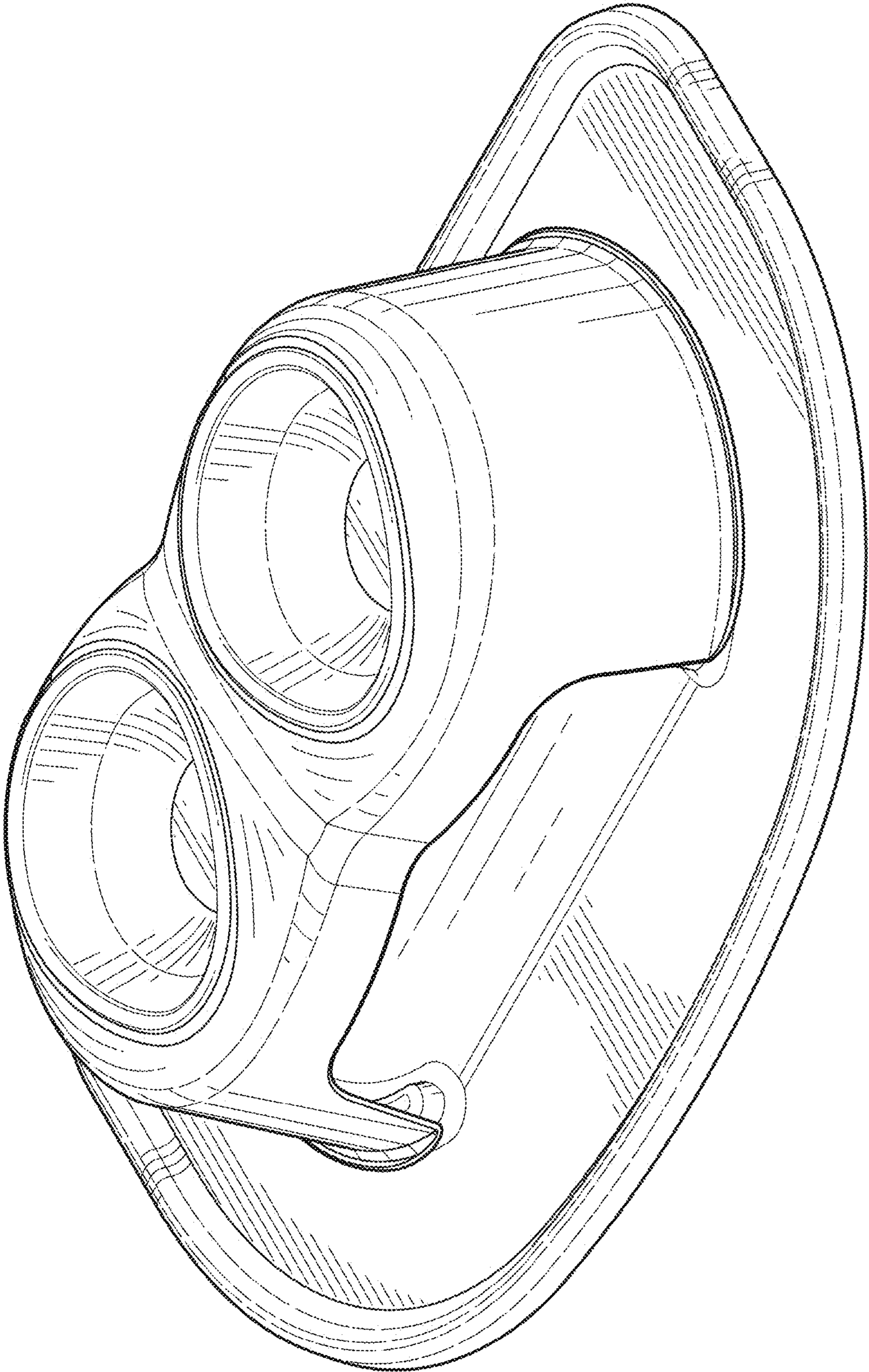


FIG. 51

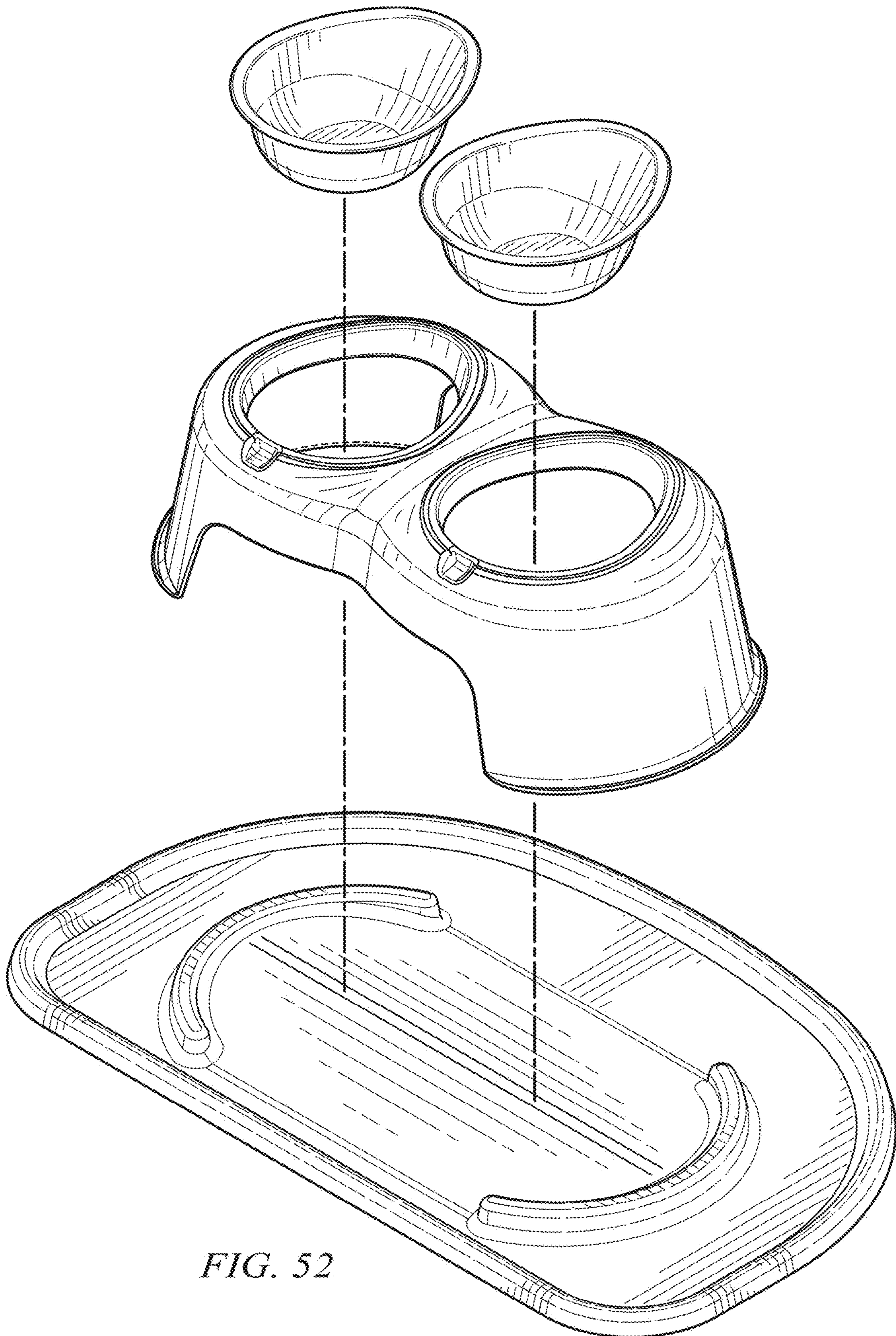


FIG. 52

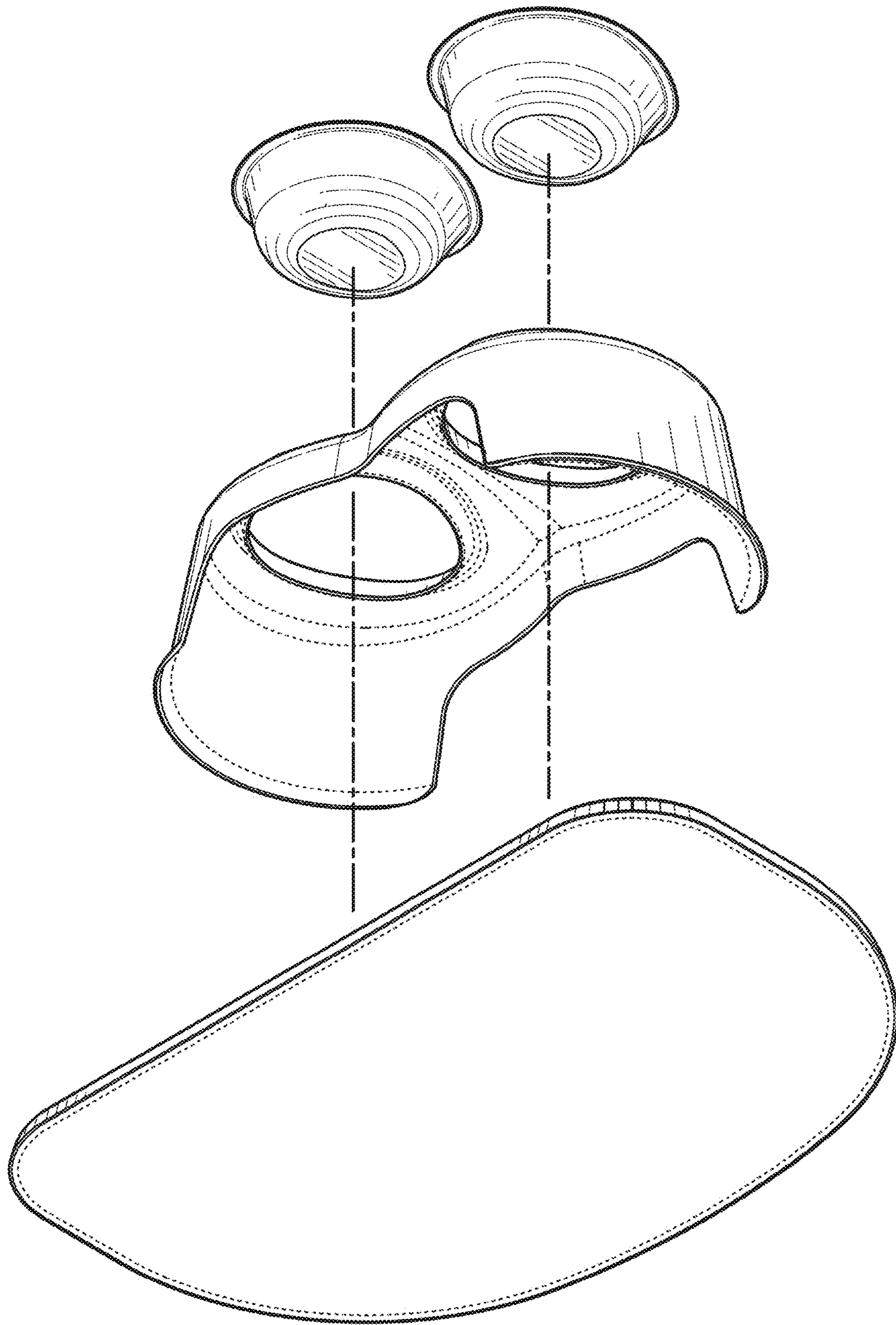


FIG. 53

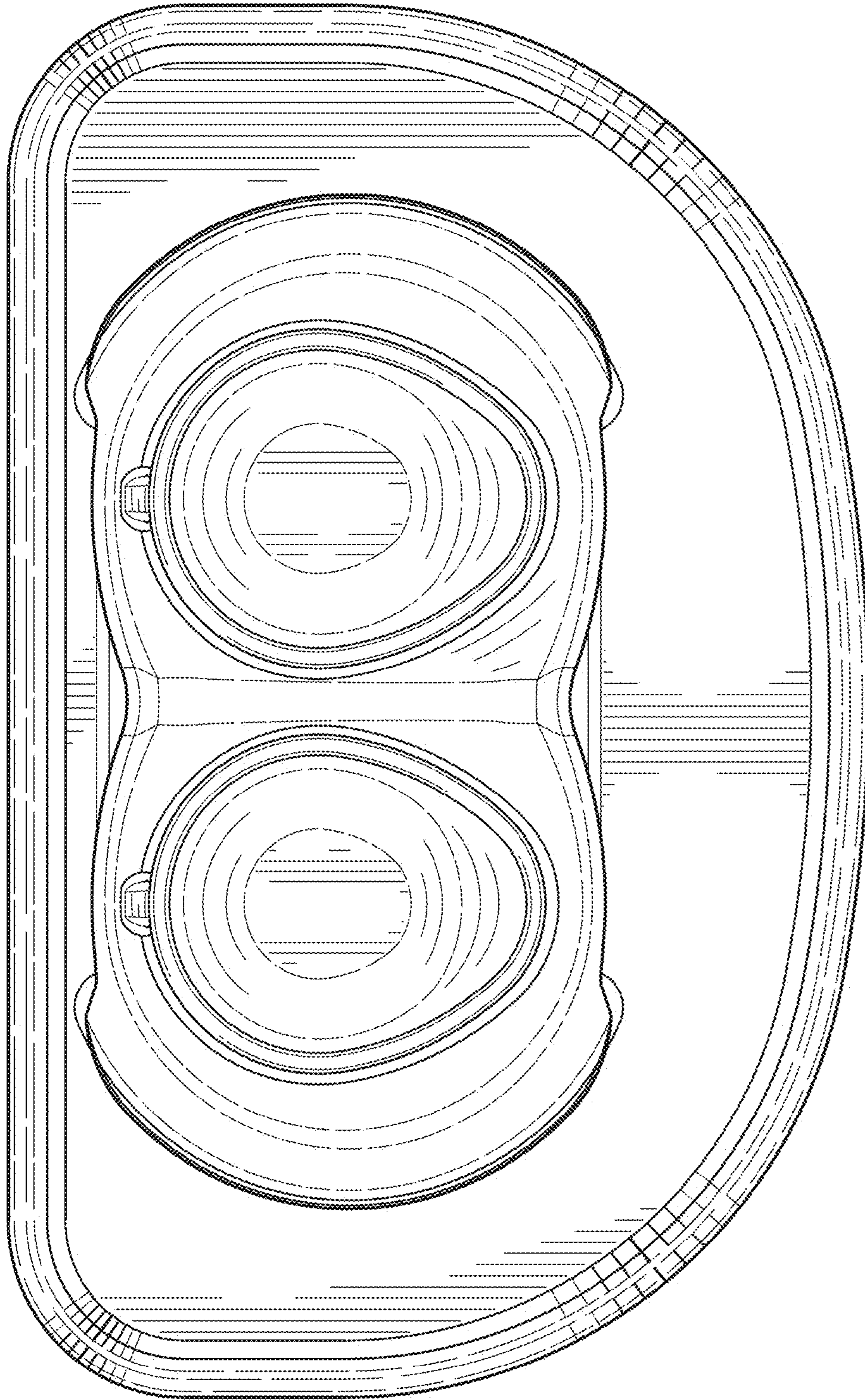


FIG. 54

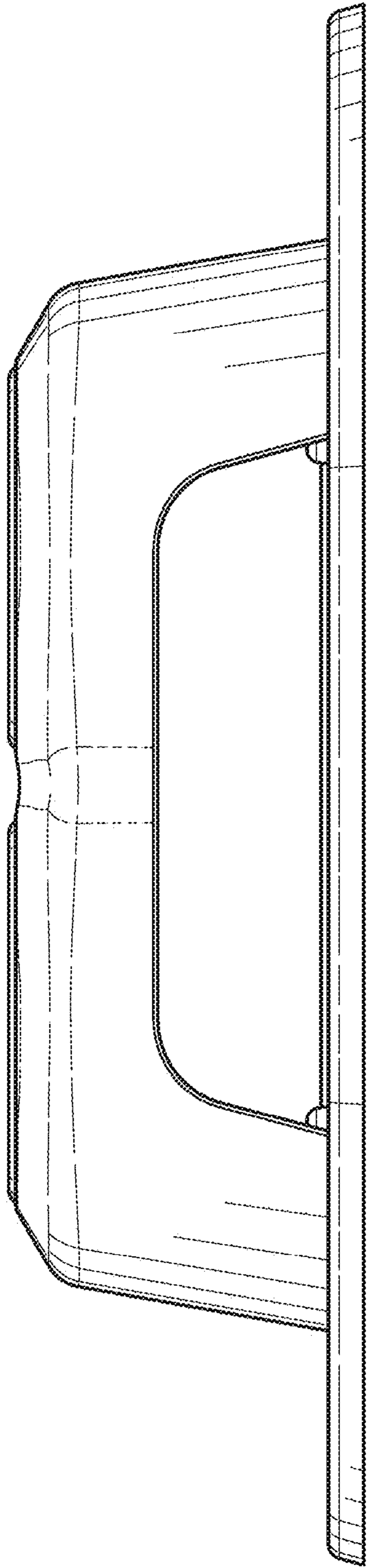


FIG. 55

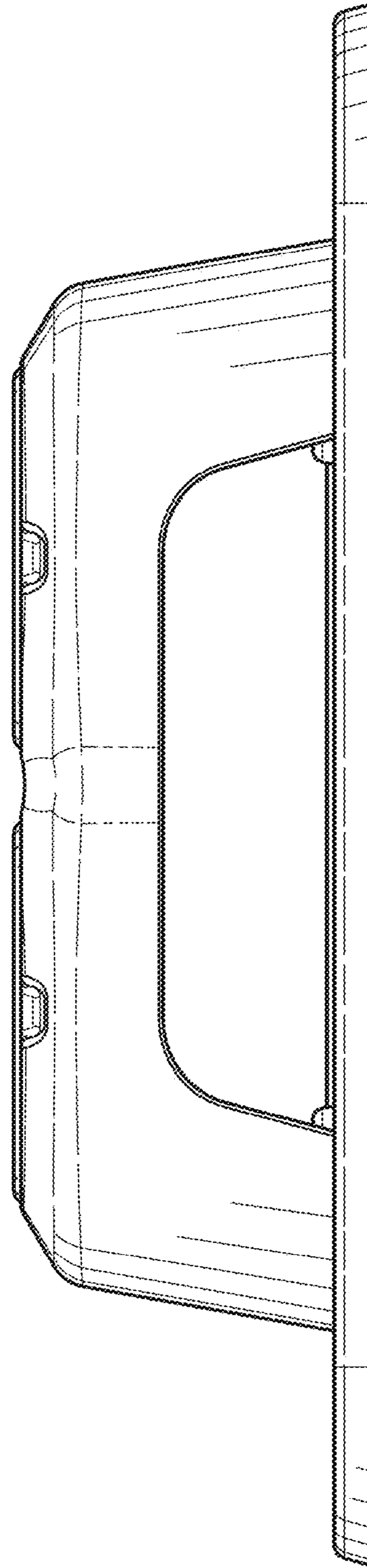


FIG. 56

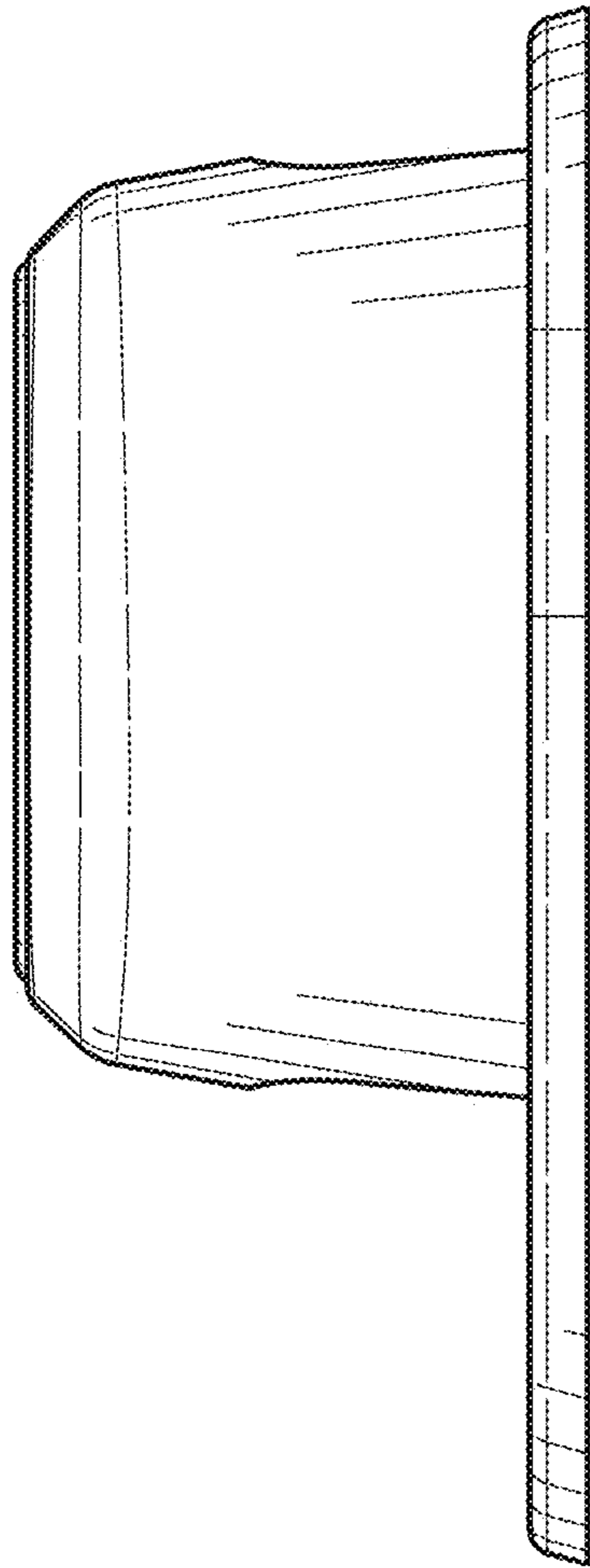


FIG. 57

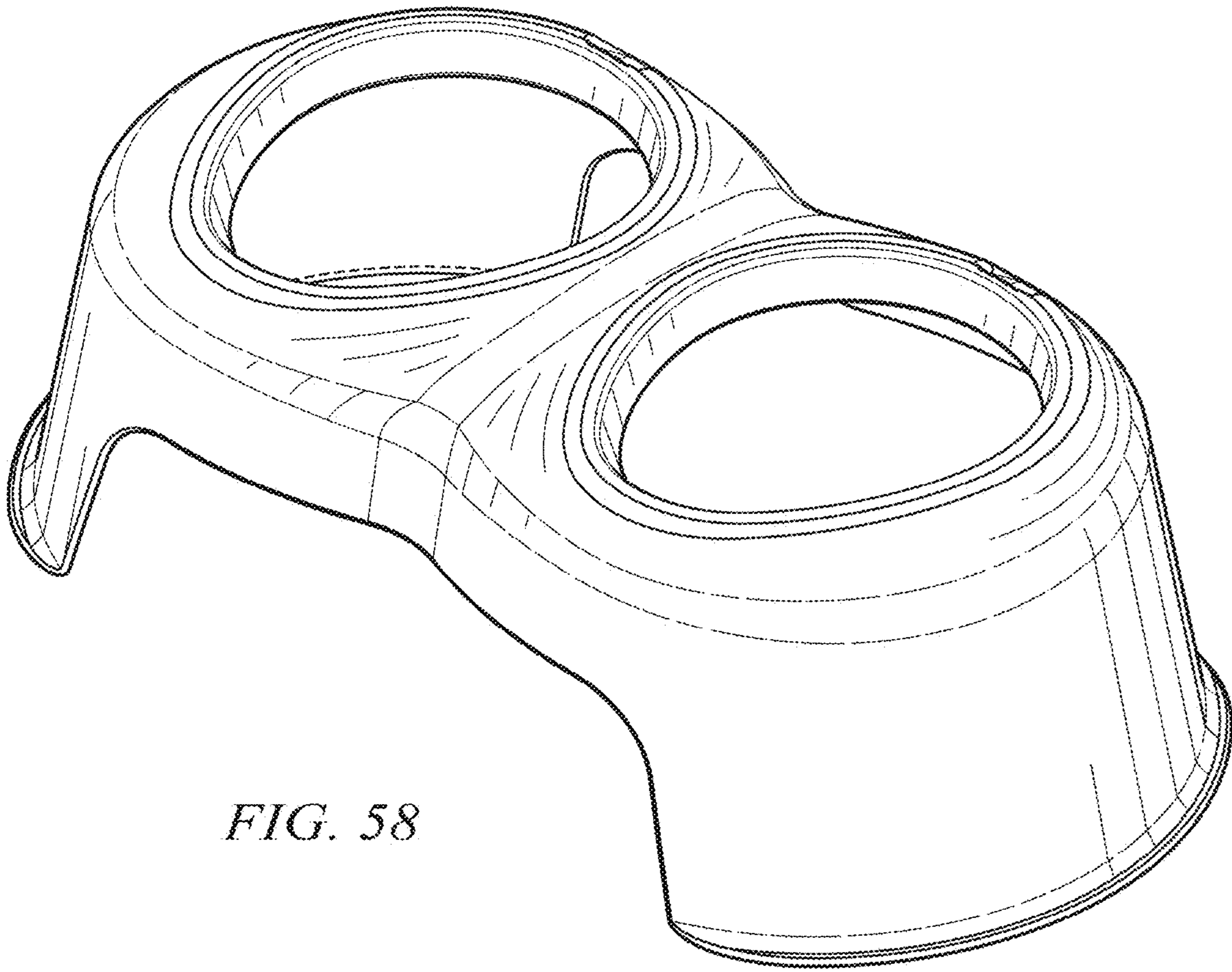


FIG. 58

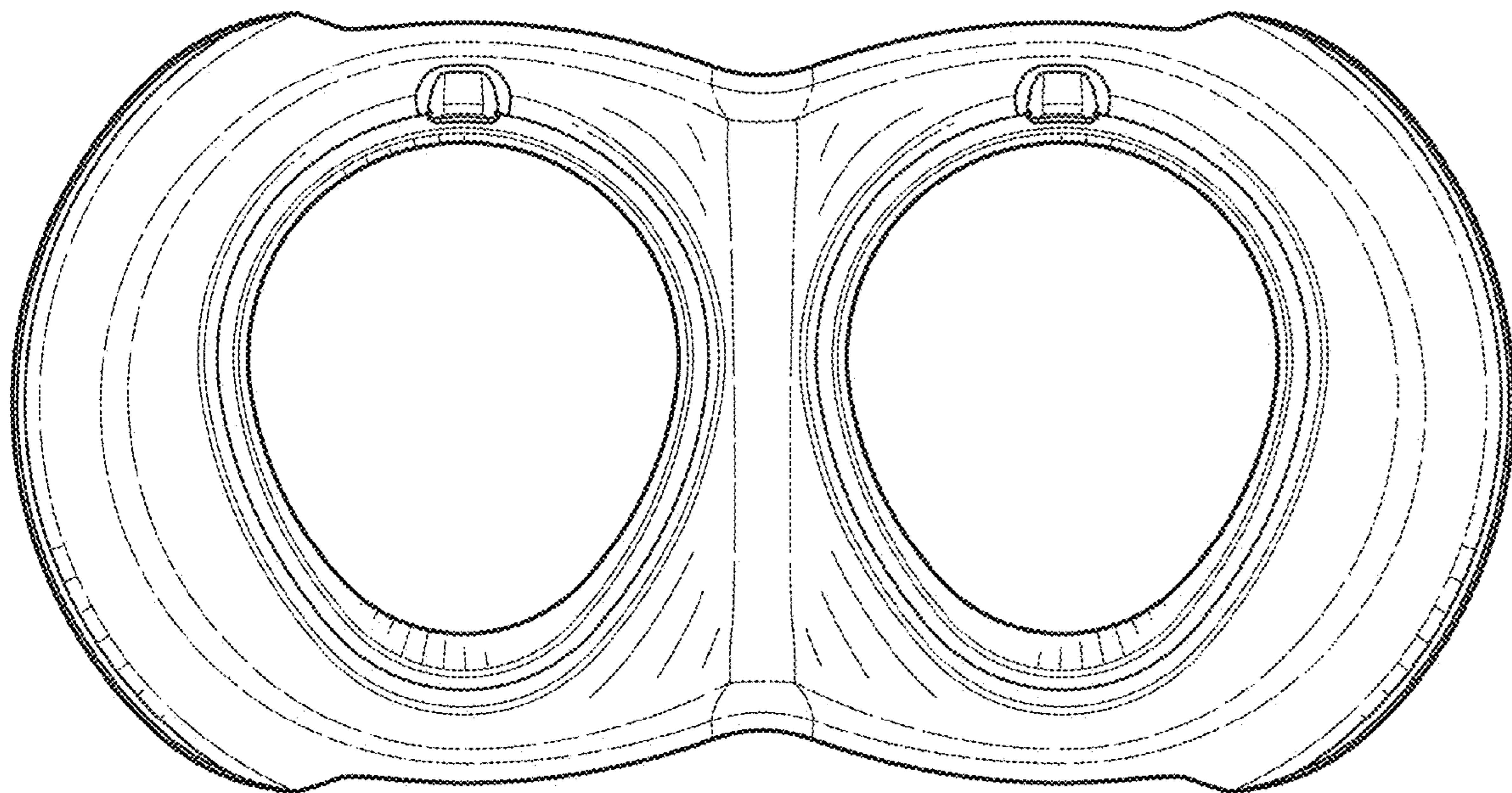


FIG. 59

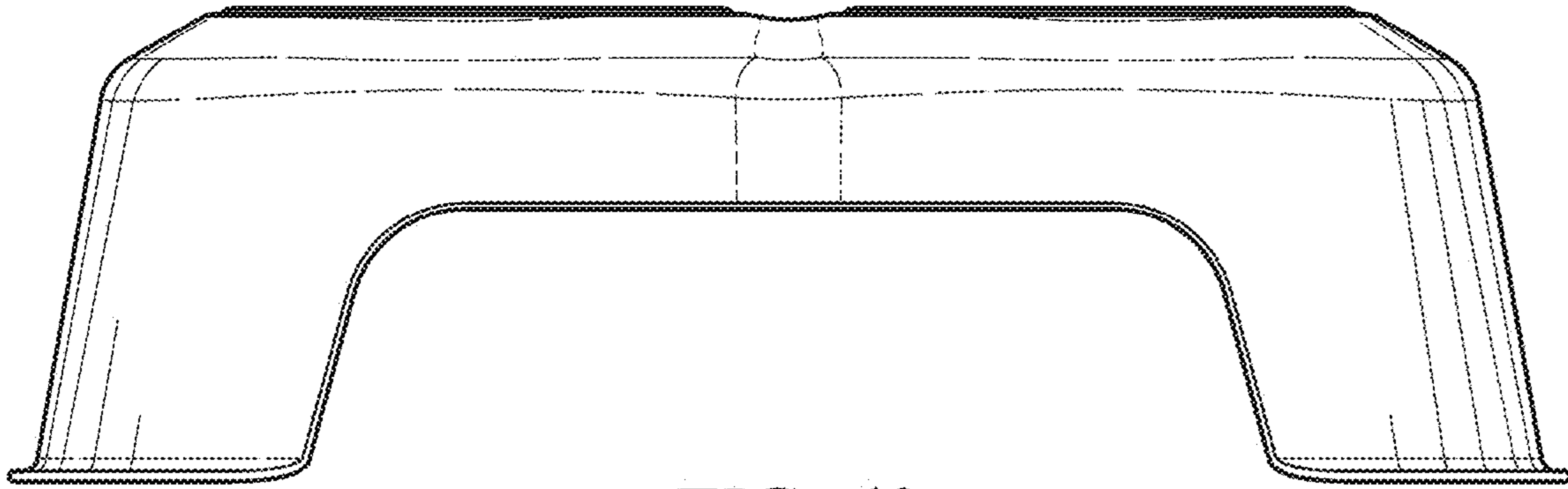


FIG. 60

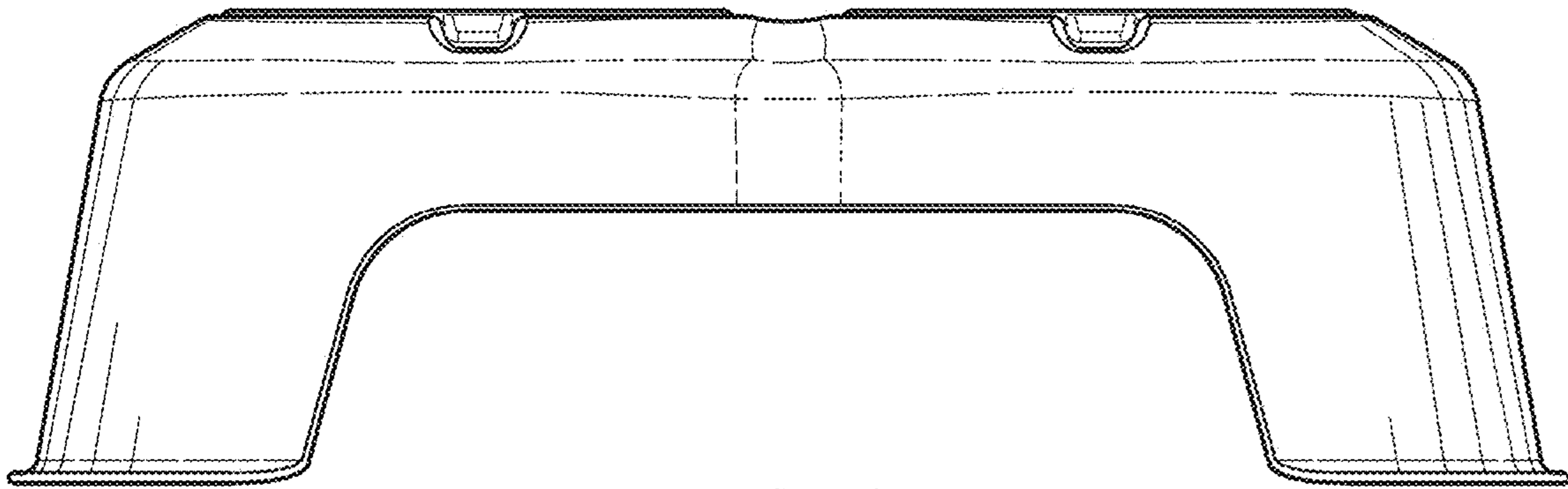


FIG. 61

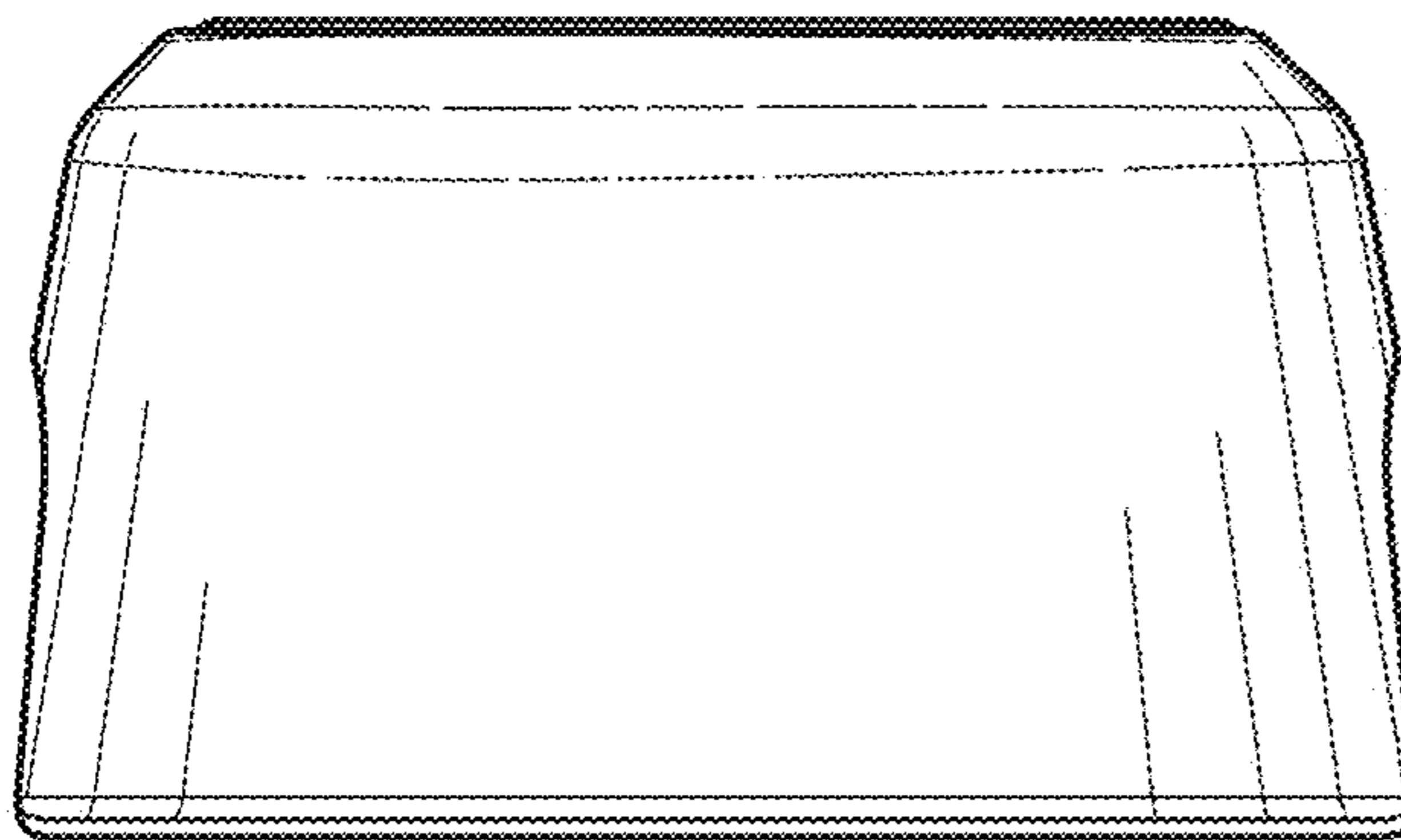


FIG. 62

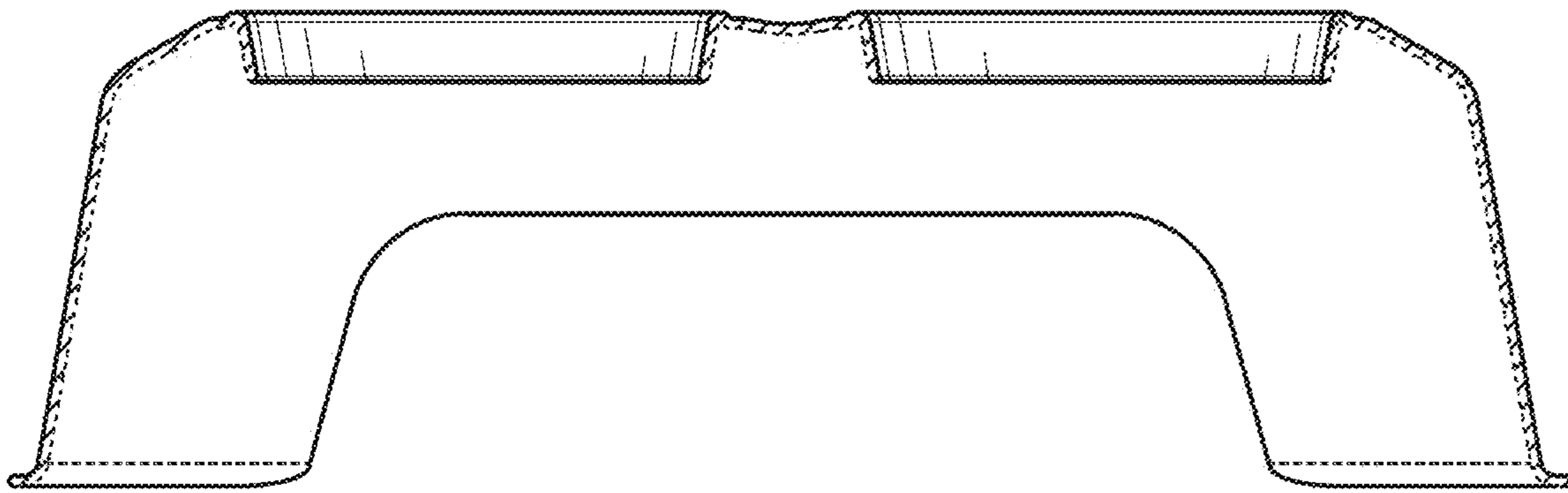


FIG. 63

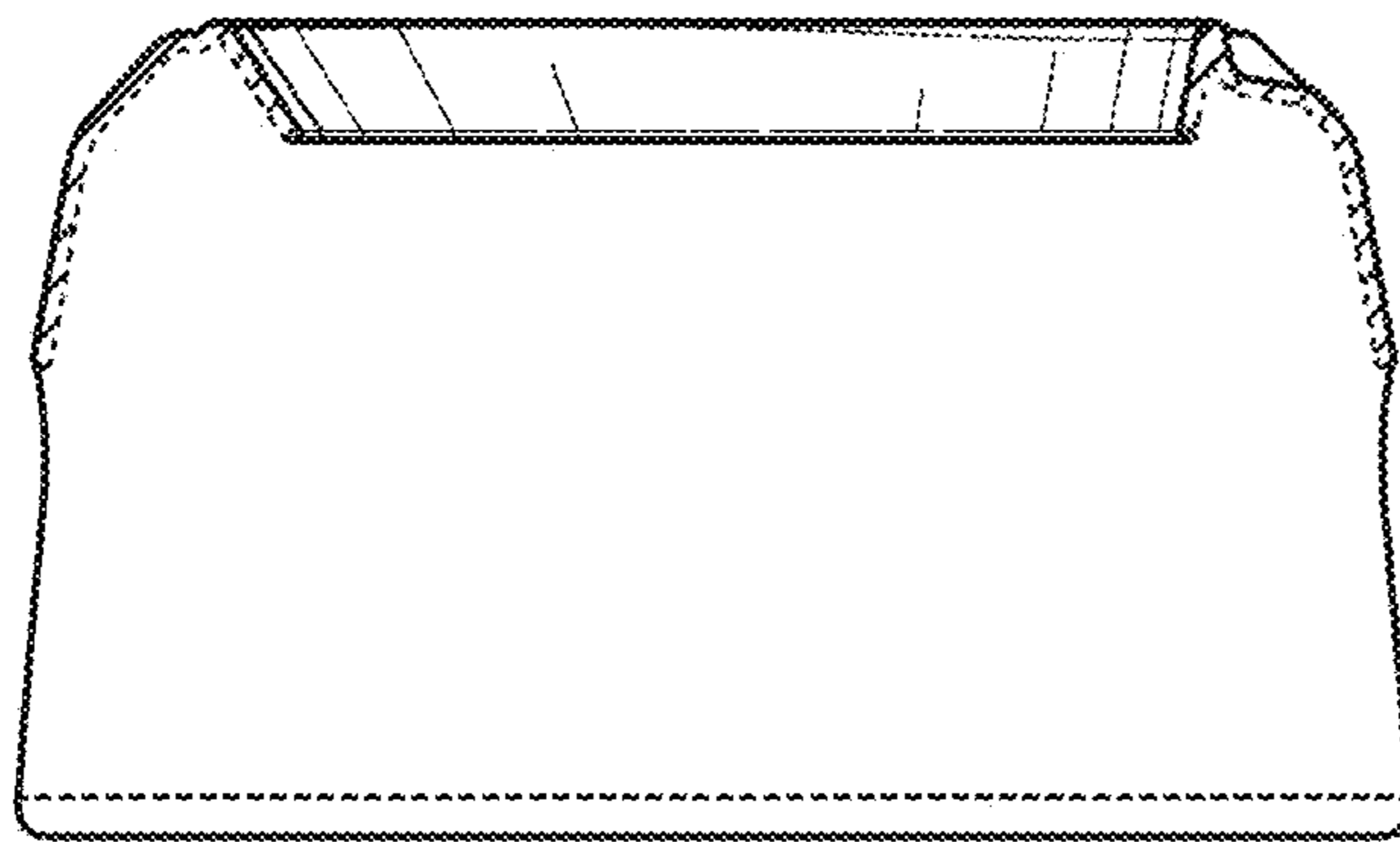


FIG. 64

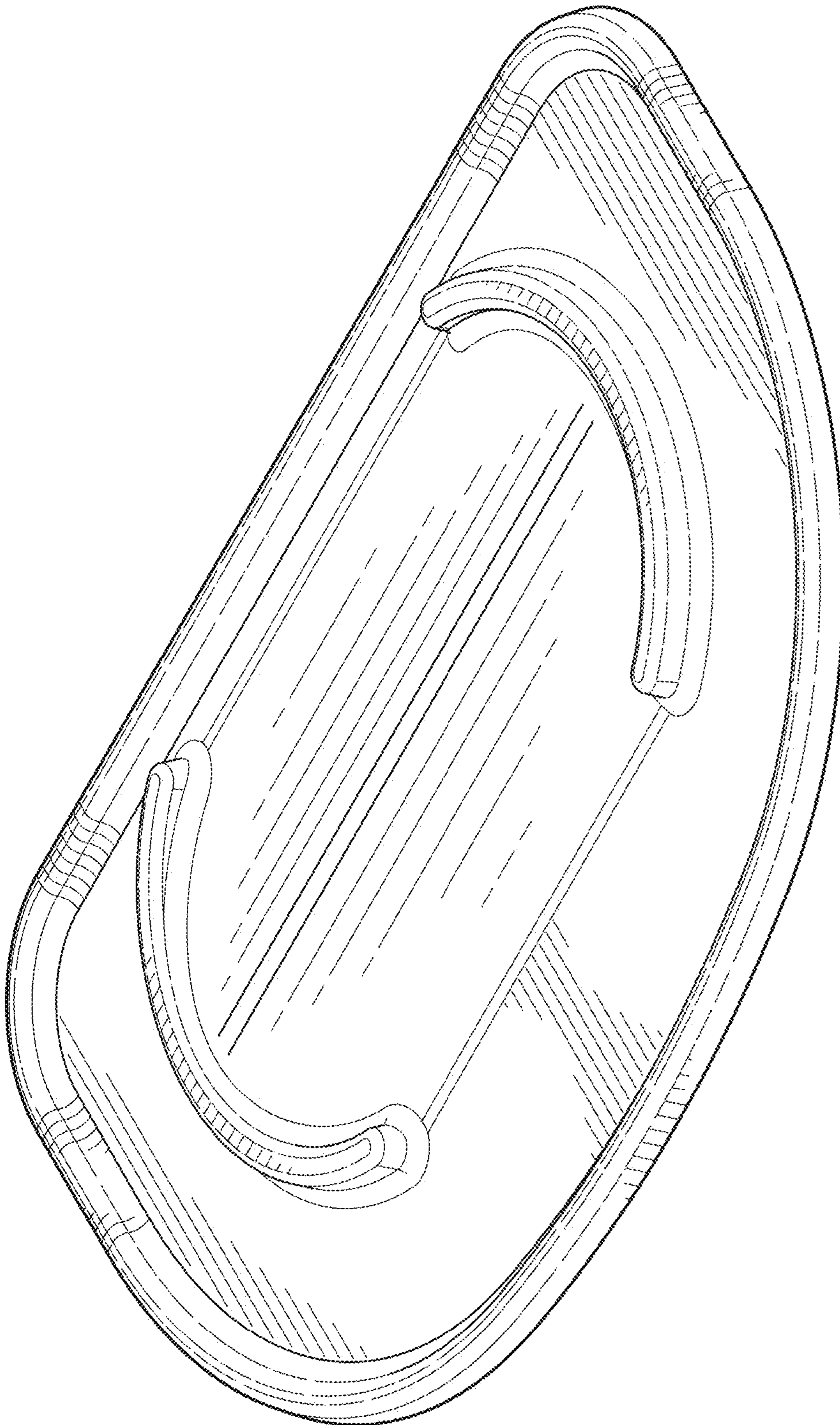


FIG. 65

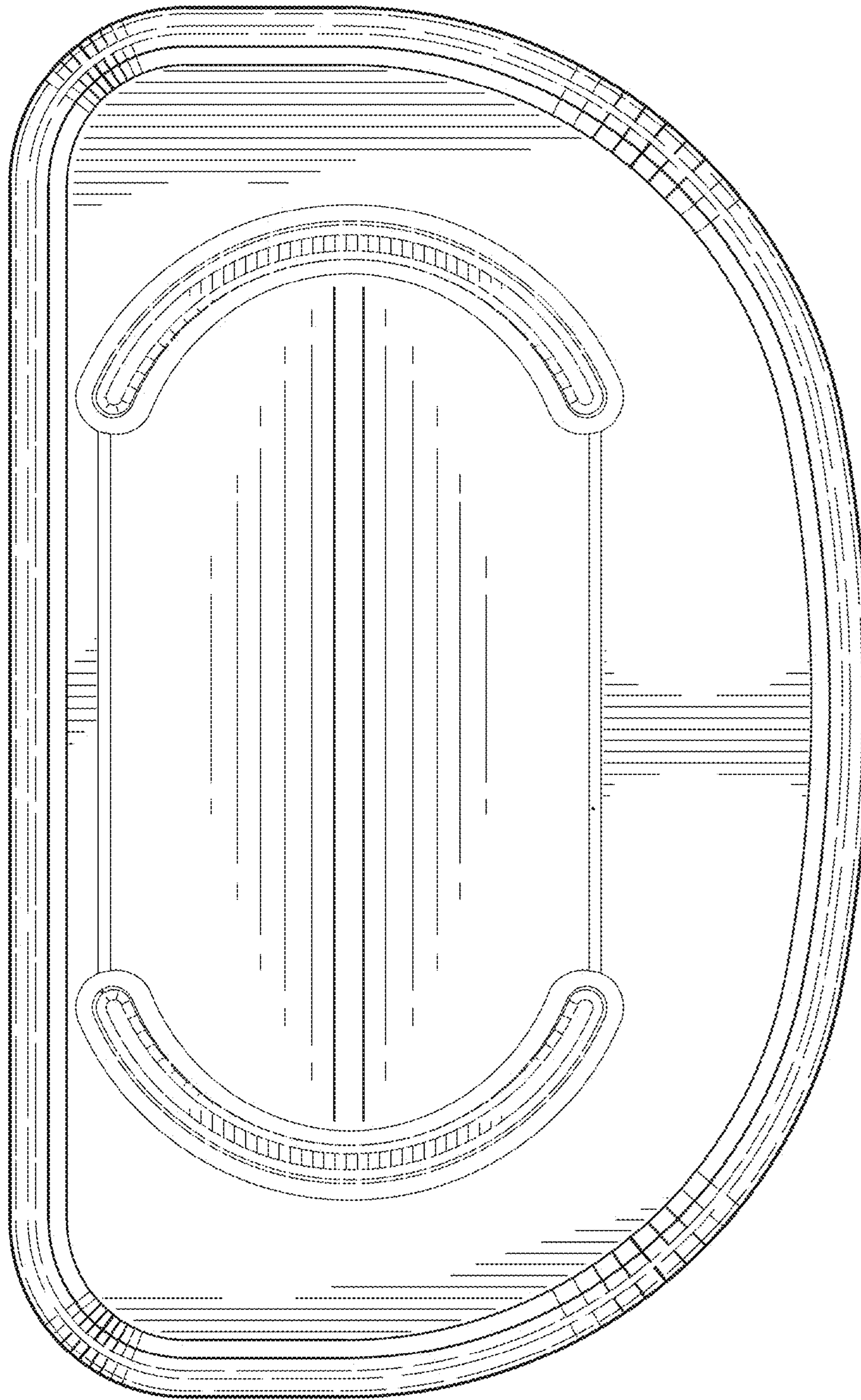


FIG. 66

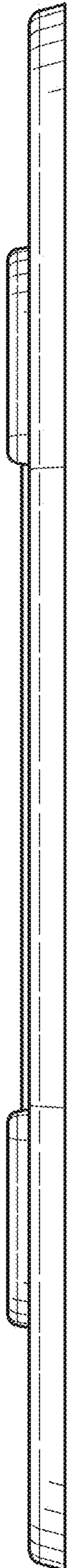


FIG. 67

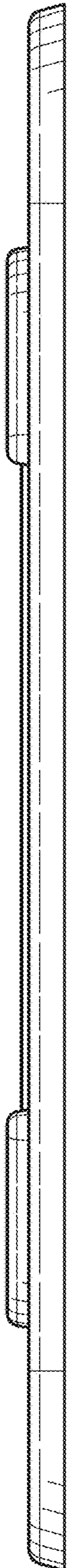


FIG. 68



FIG. 69

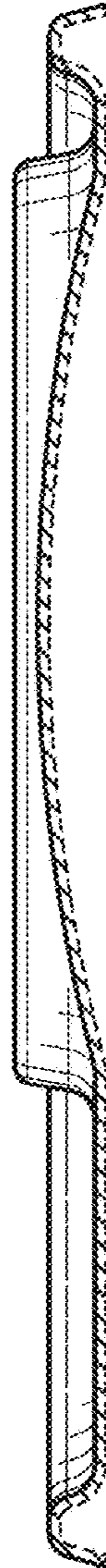


FIG. 70

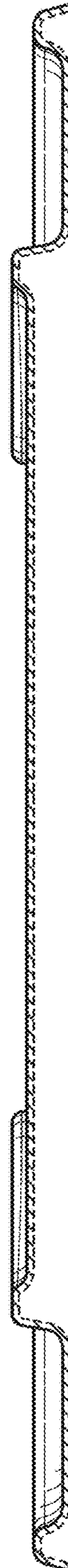


FIG. 71

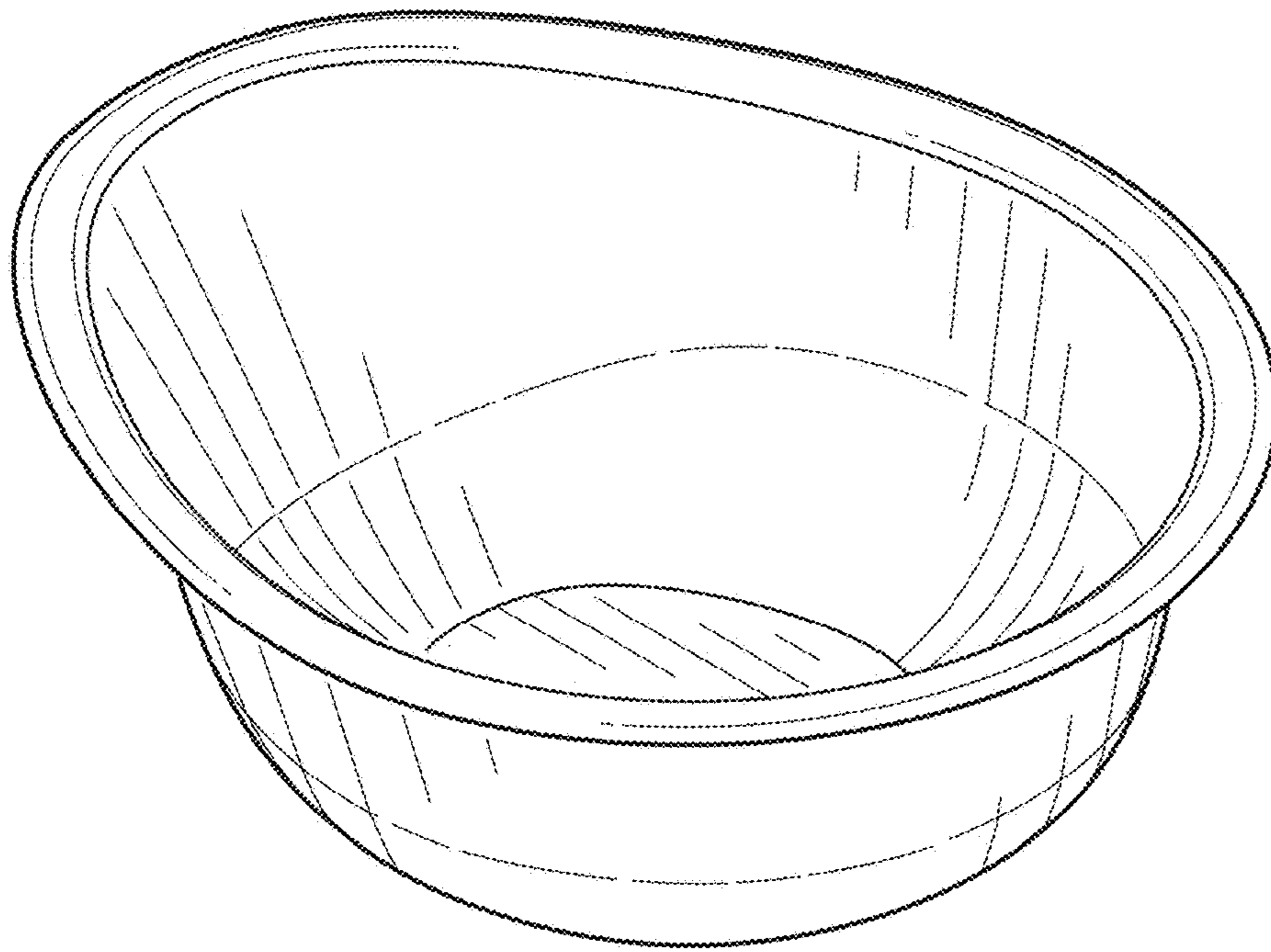


FIG. 72

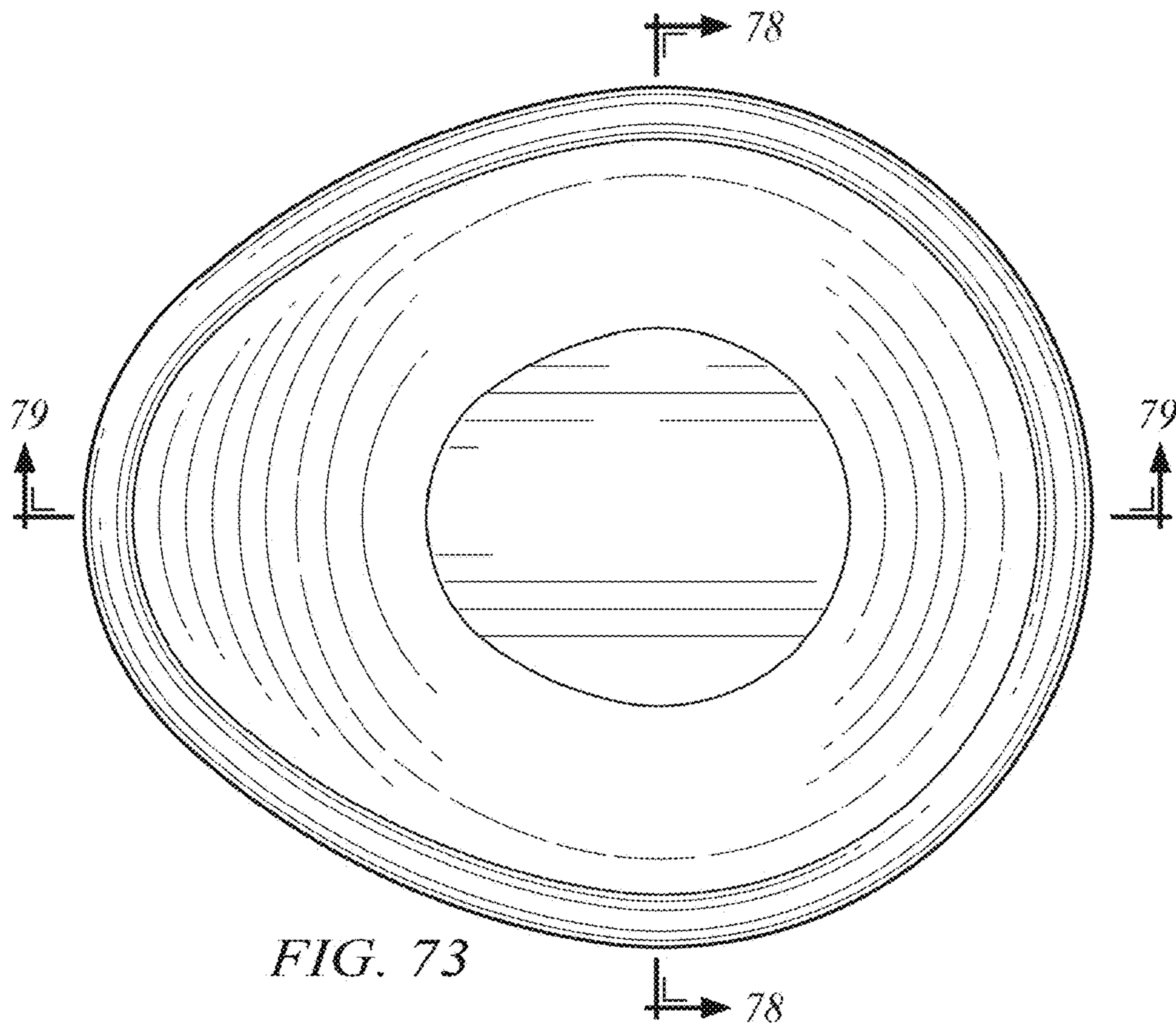


FIG. 73

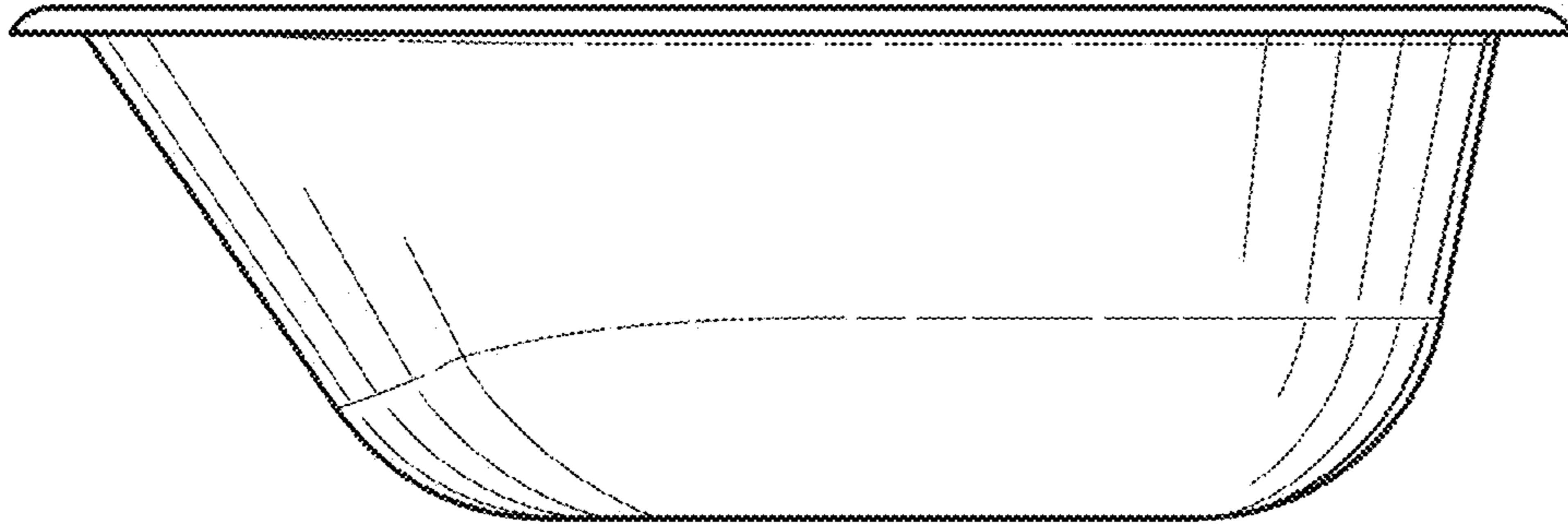


FIG. 74

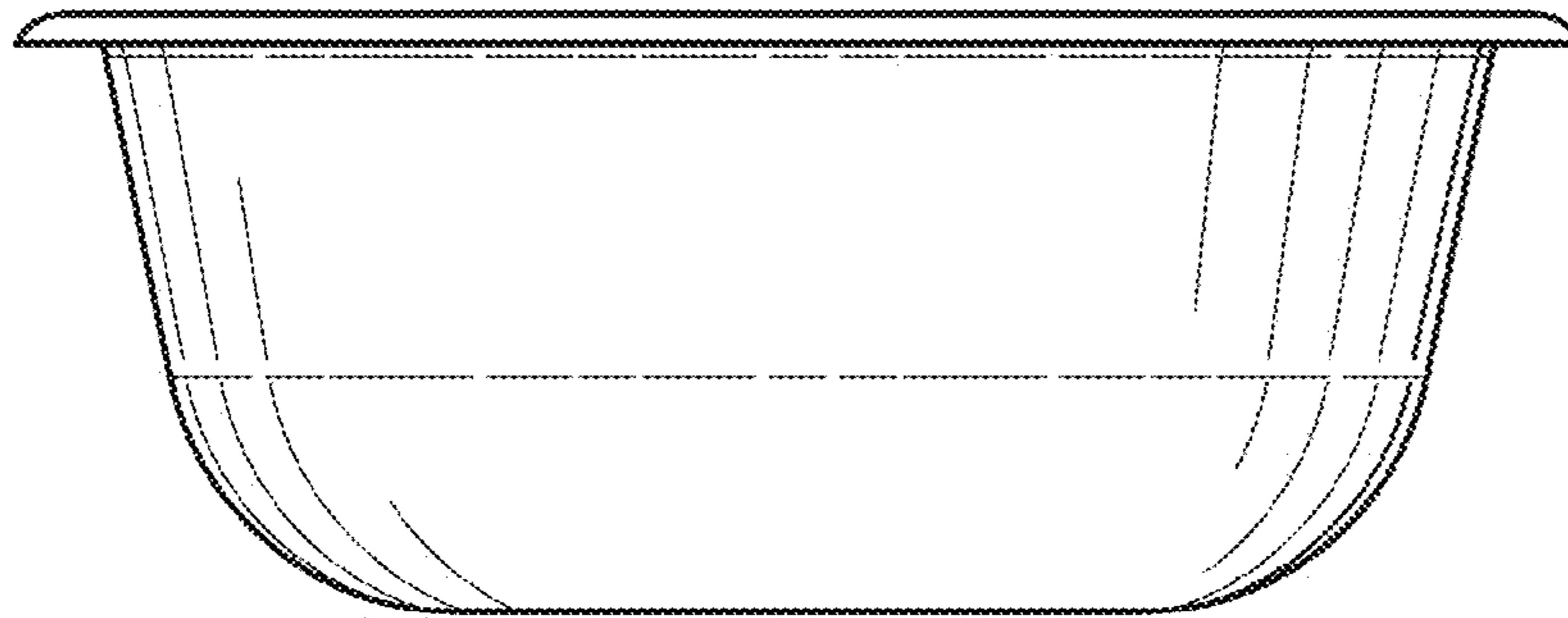


FIG. 75

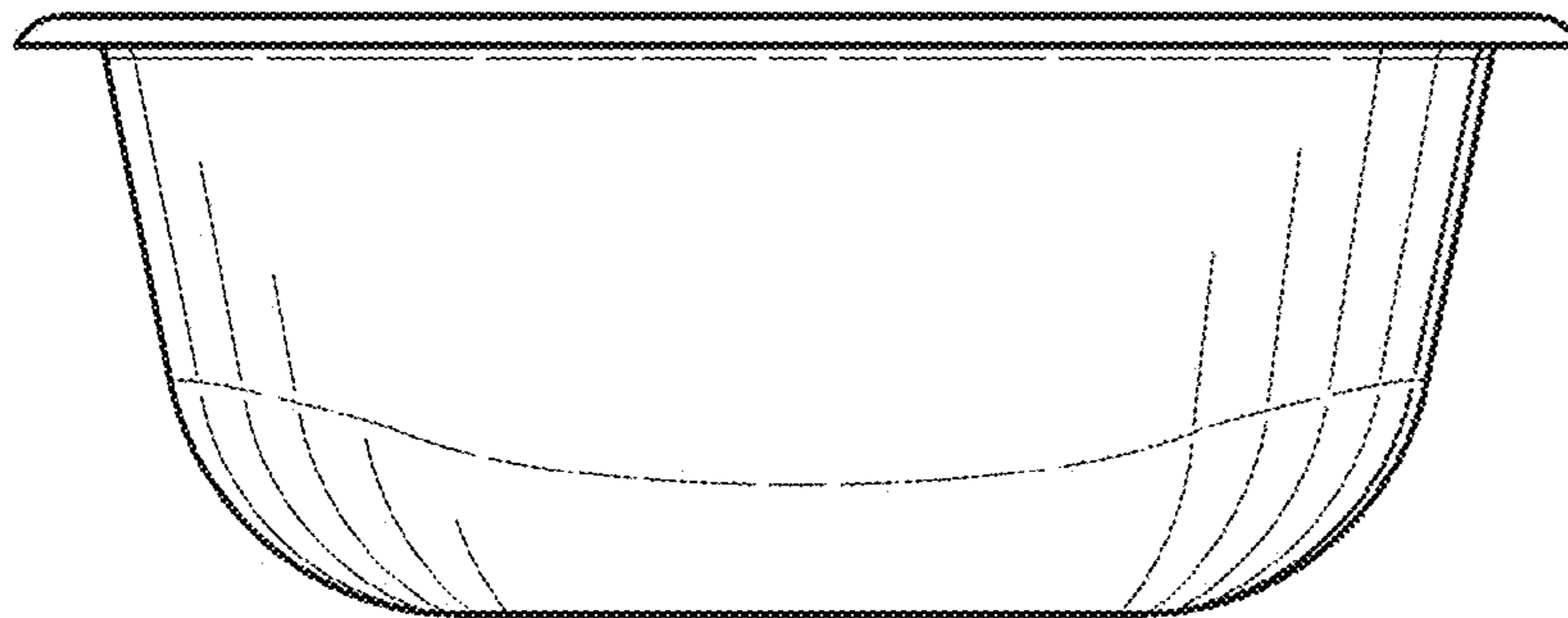


FIG. 76

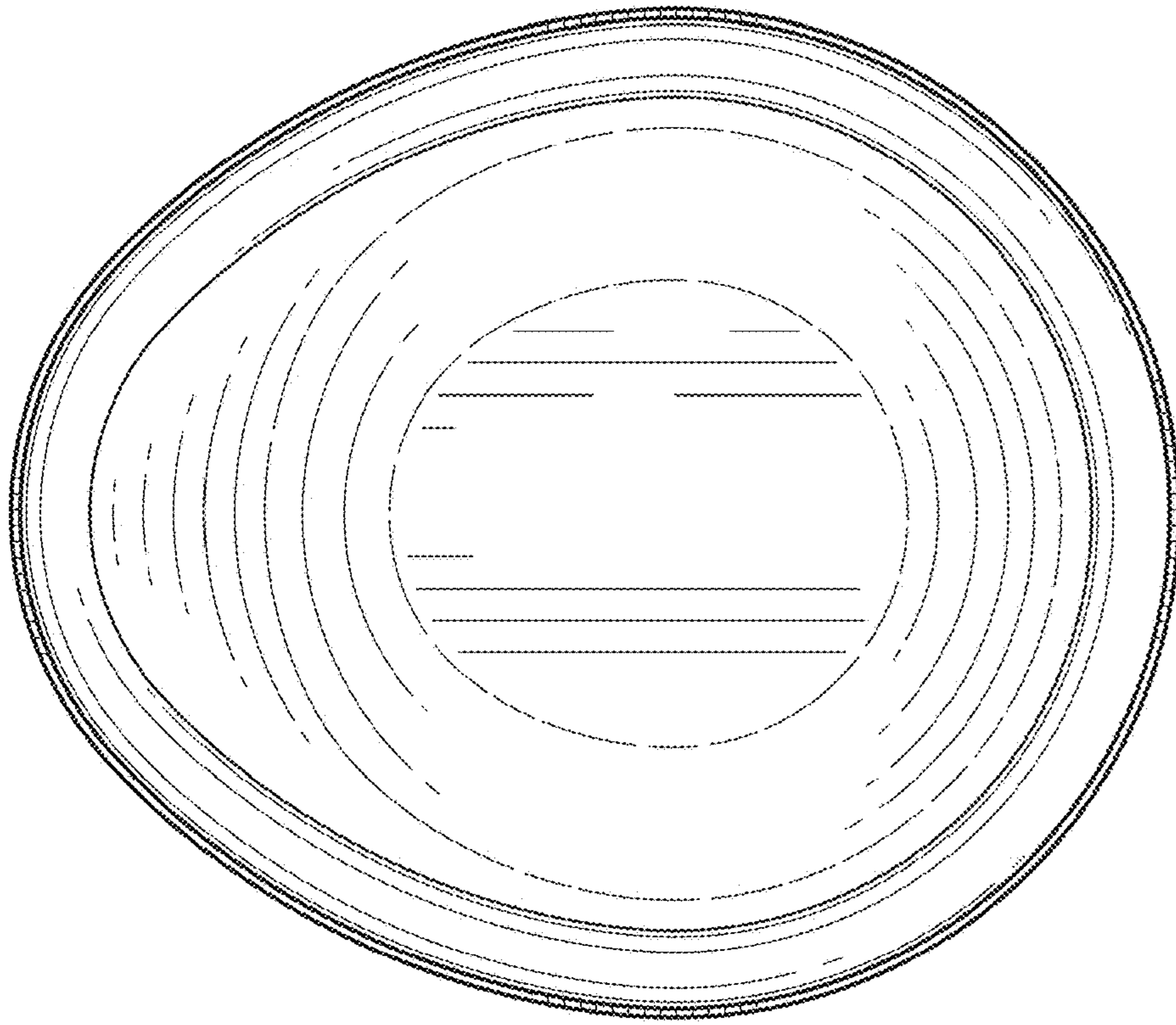


FIG. 77

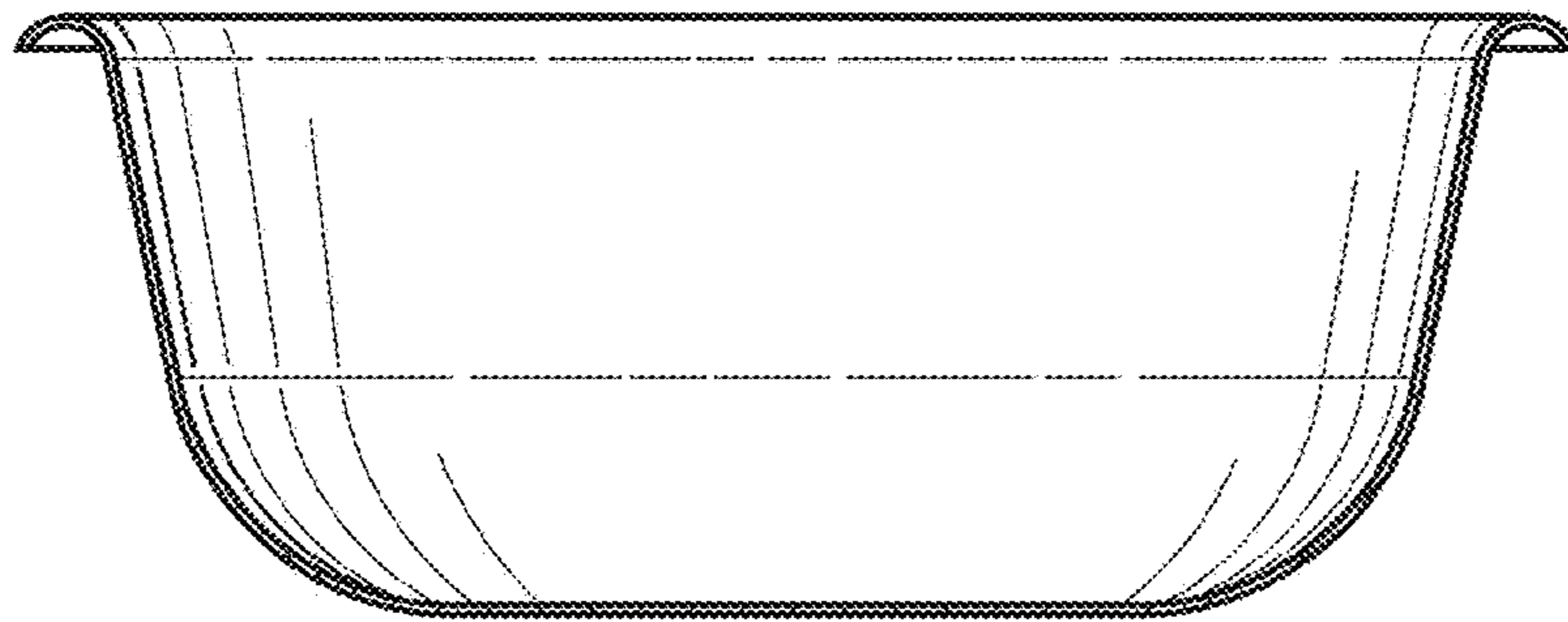


FIG. 78

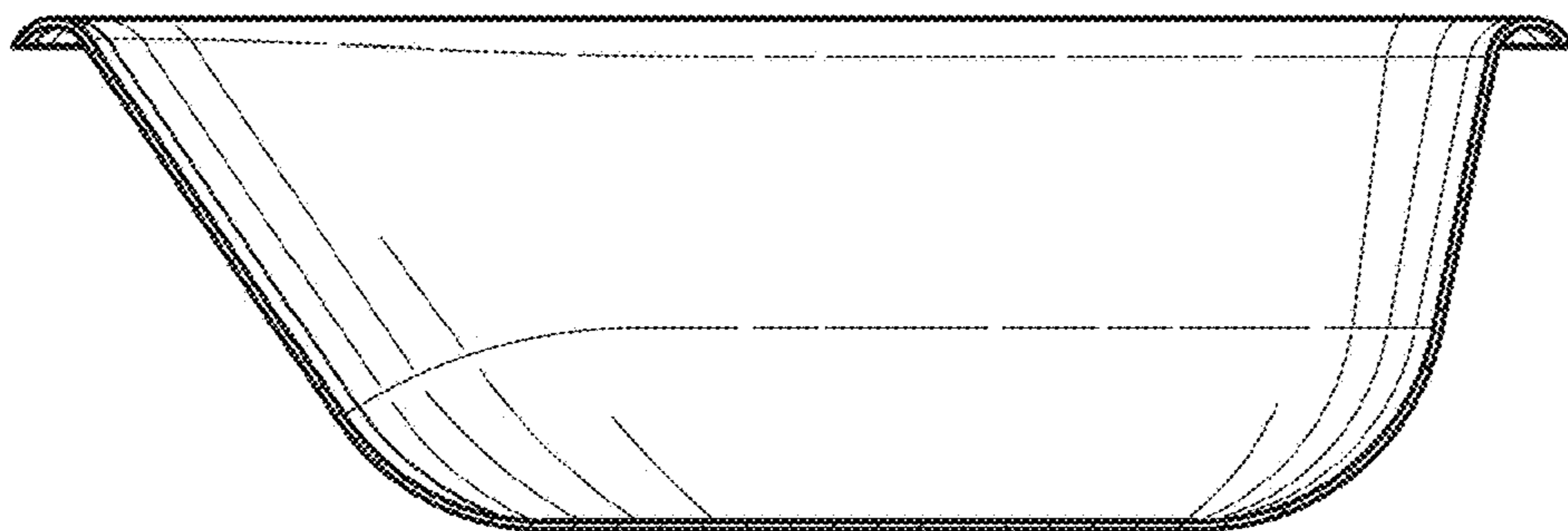


FIG. 79

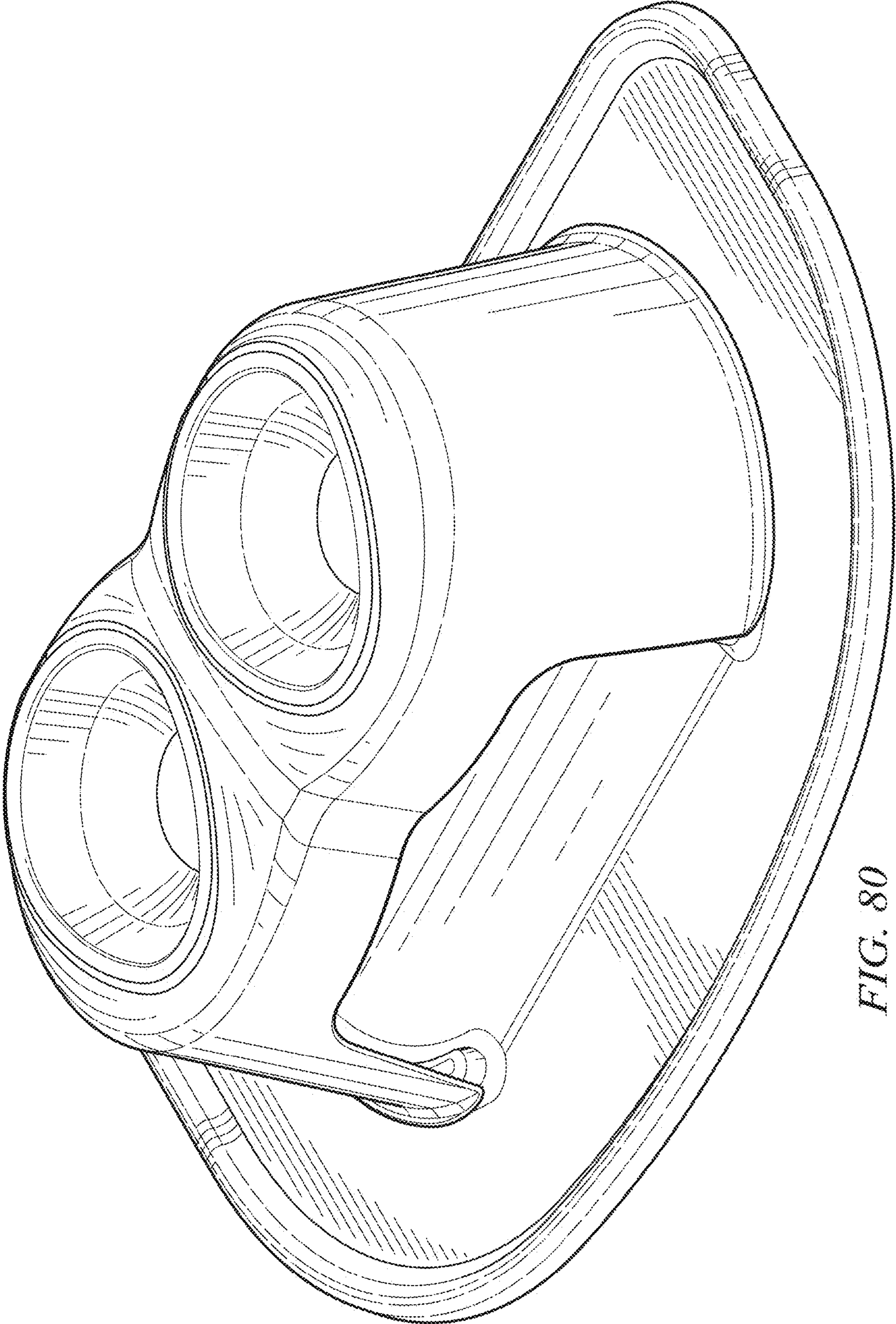


FIG. 80

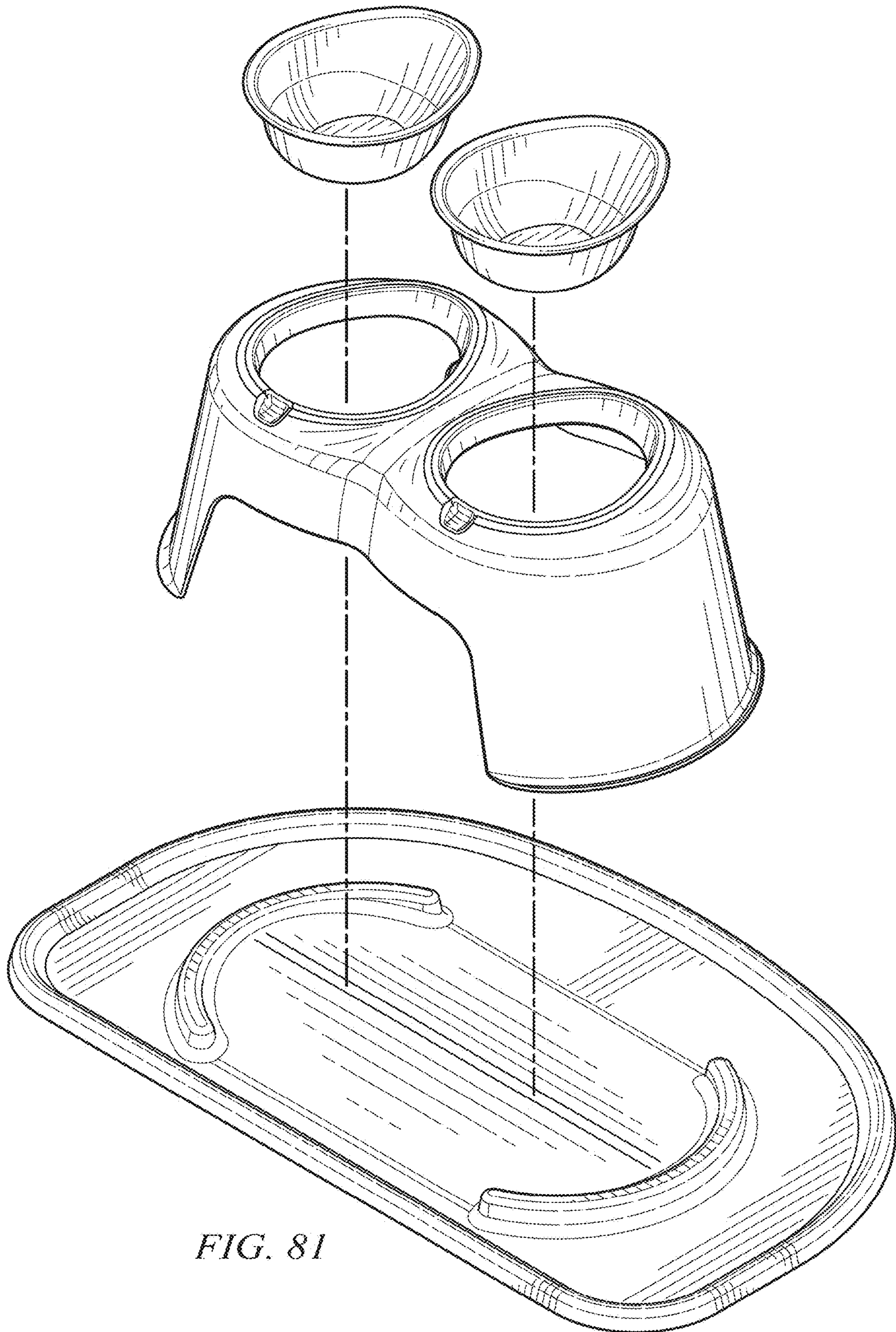


FIG. 81

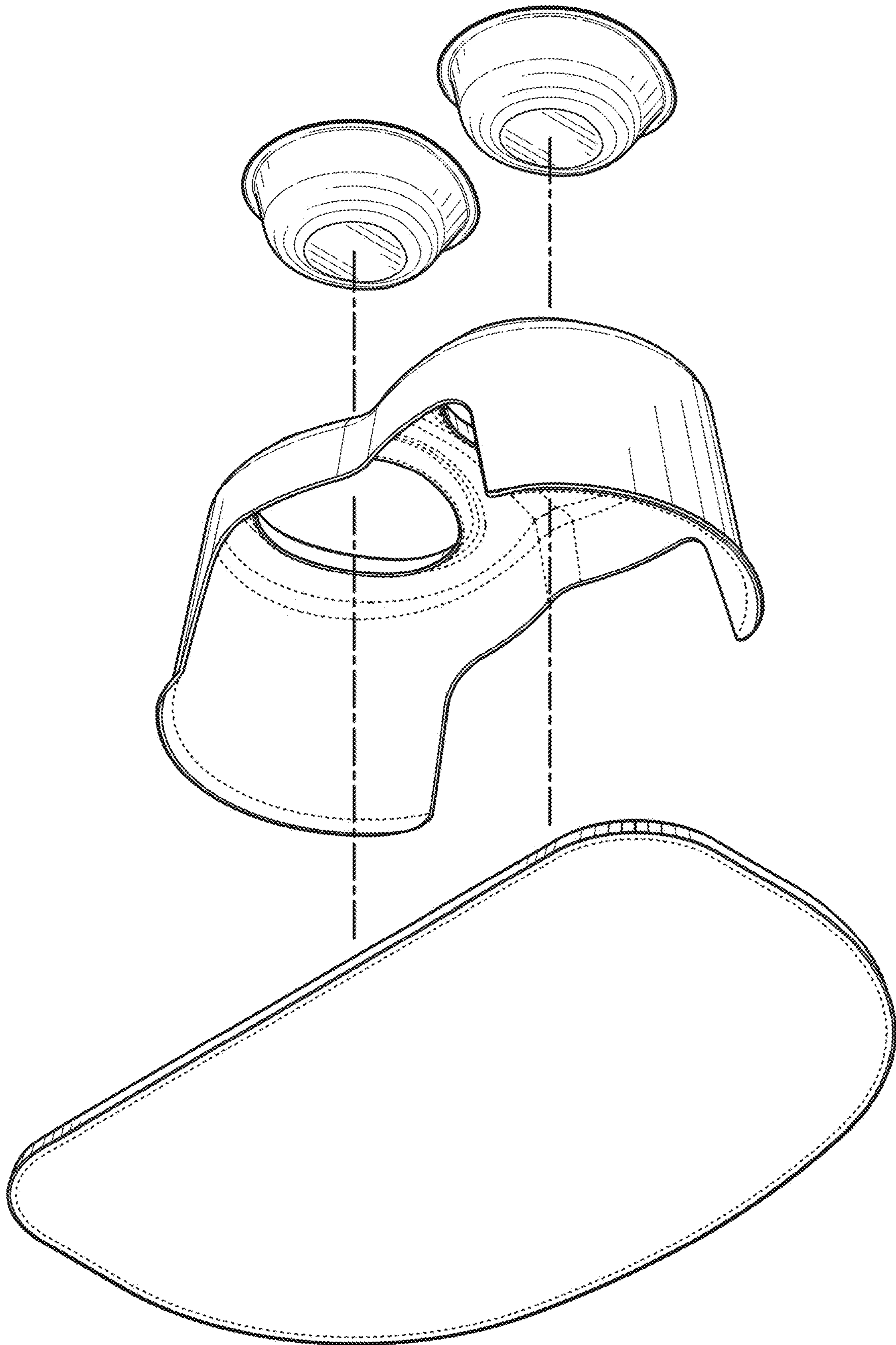


FIG. 82

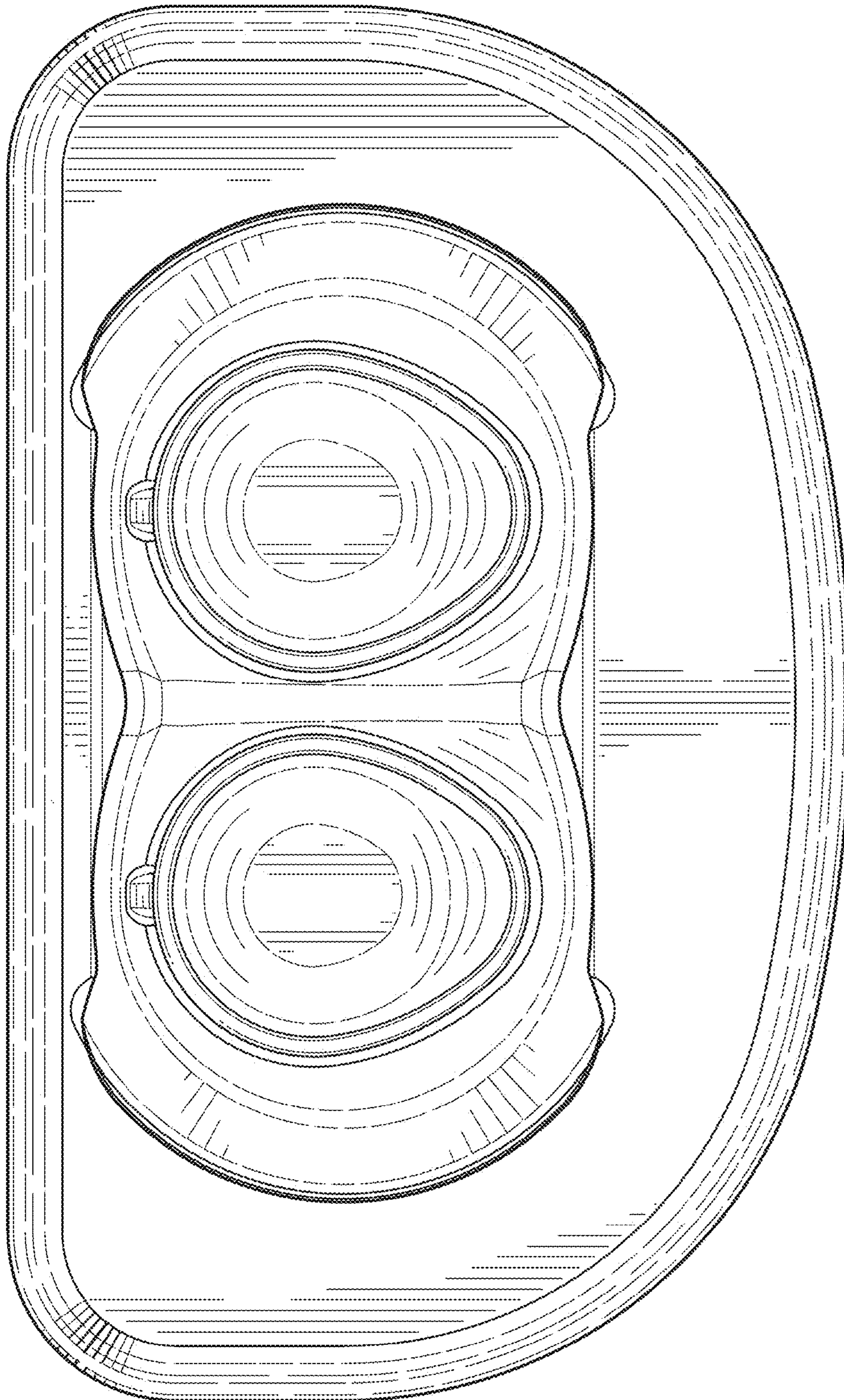


FIG. 83

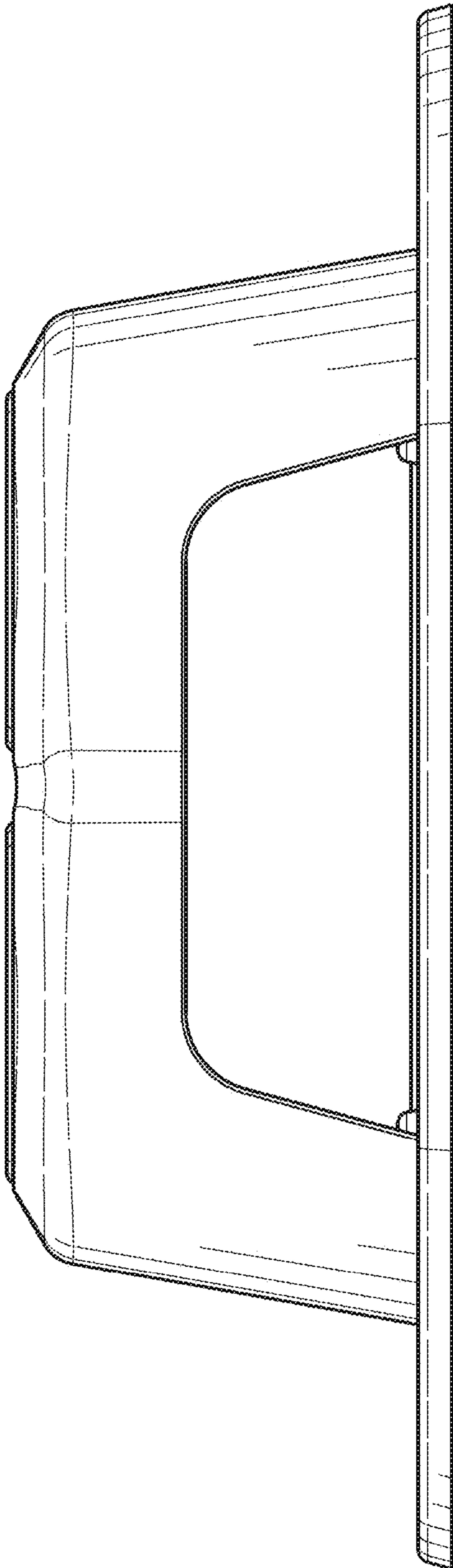


FIG. 84

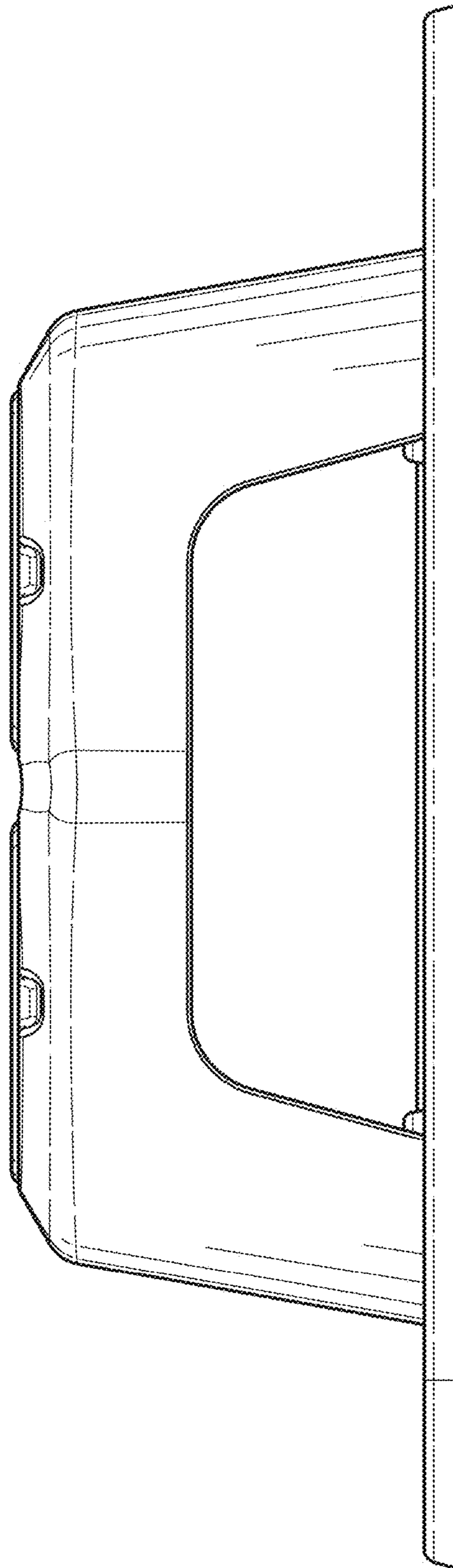


FIG. 85

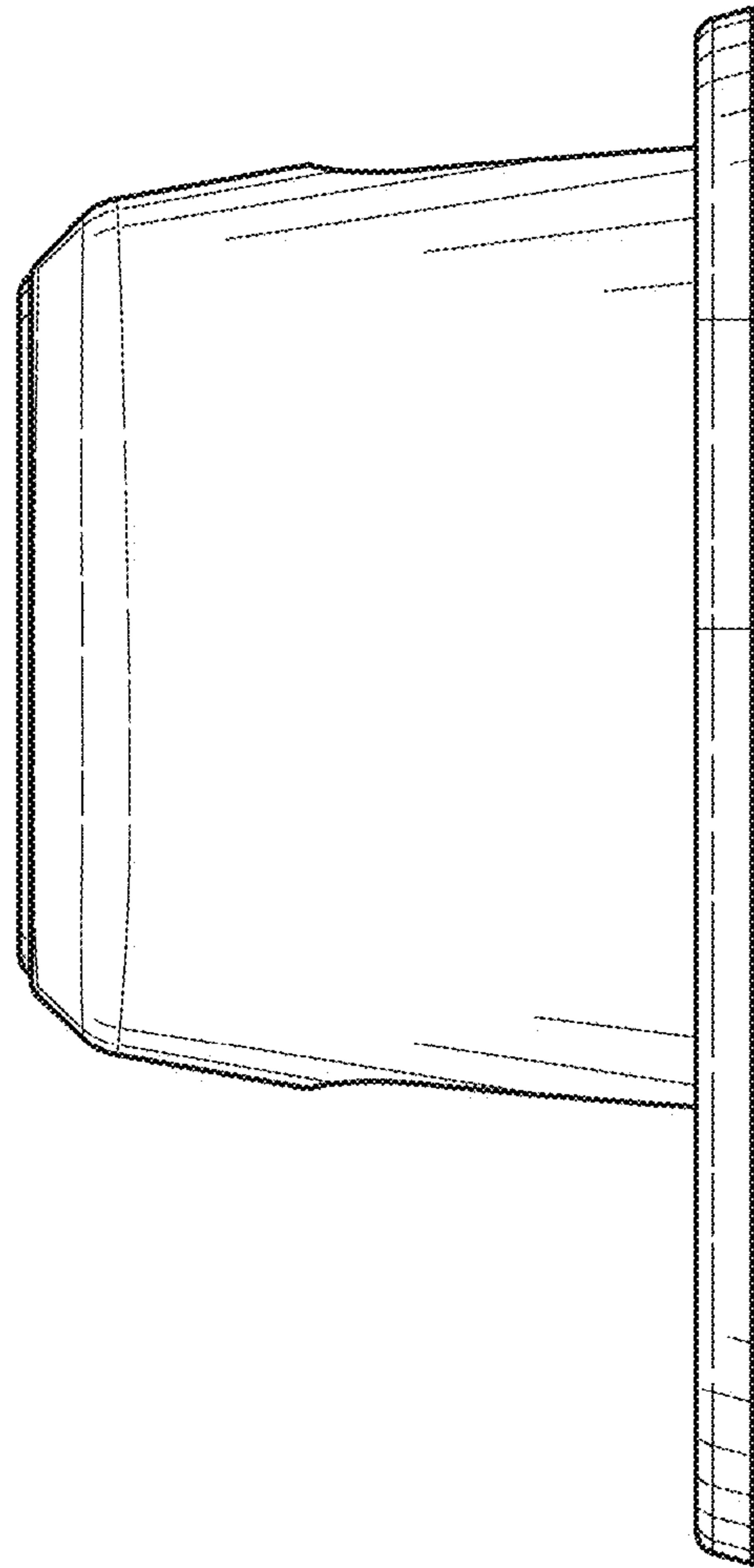


FIG. 86

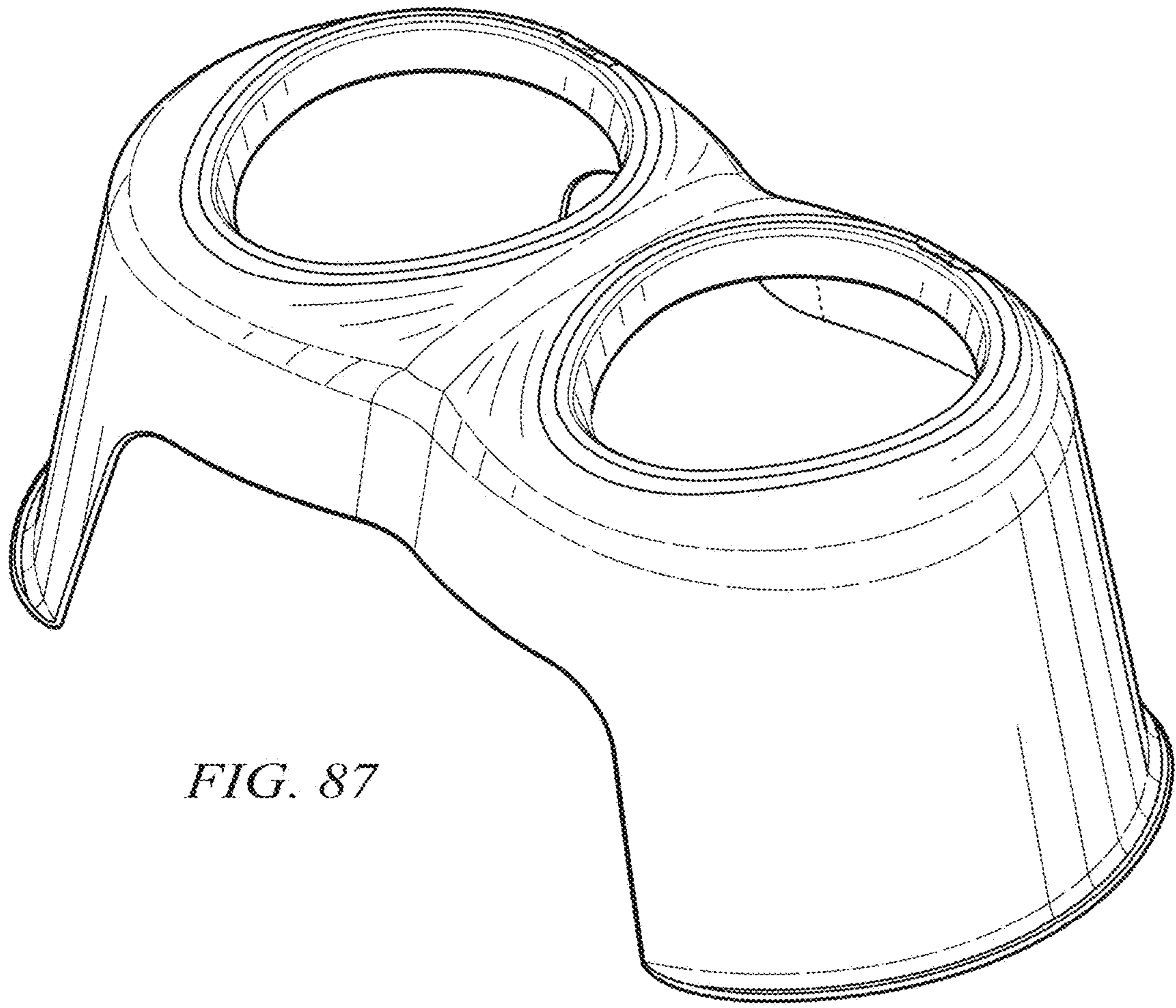


FIG. 87

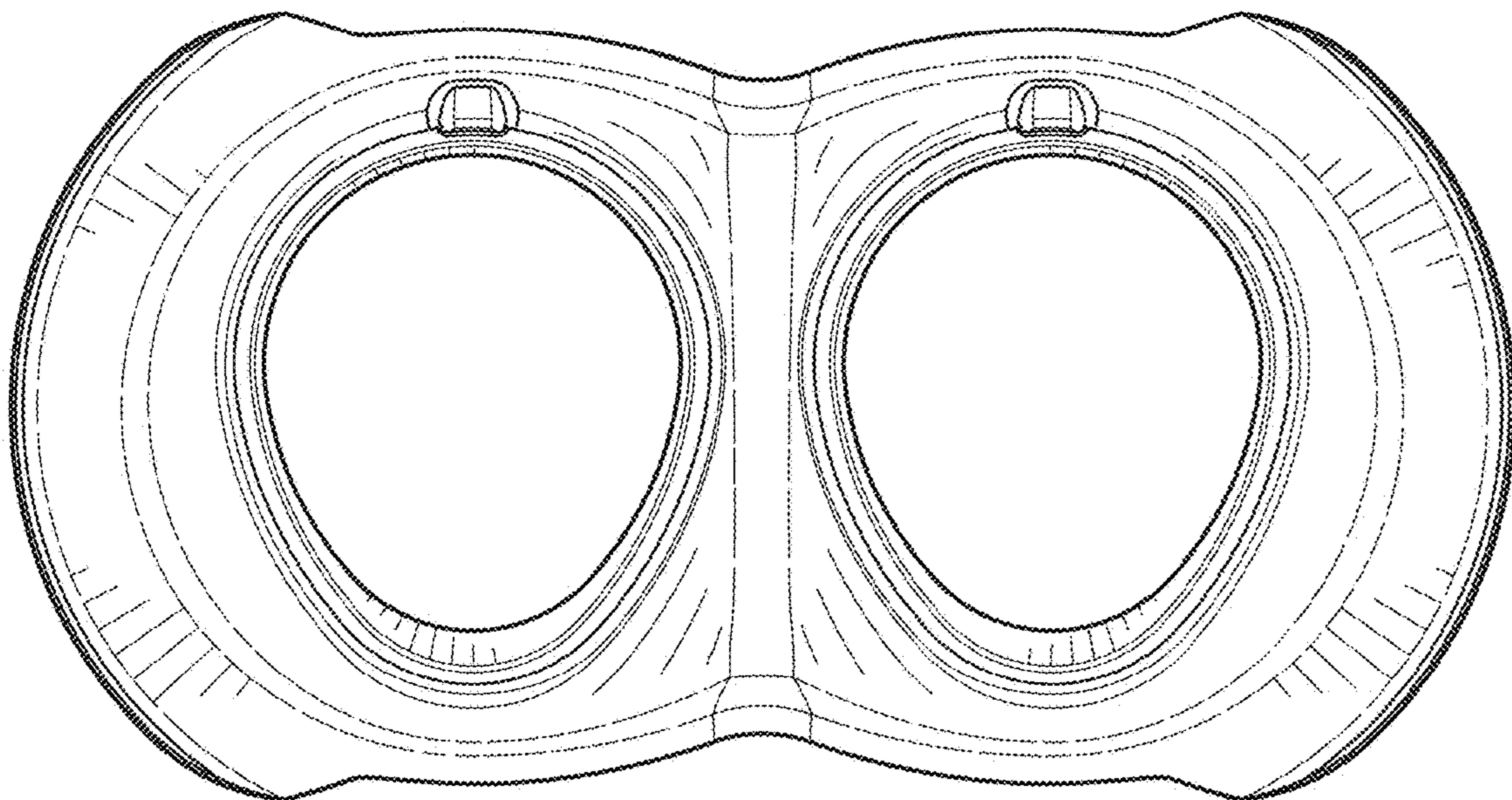


FIG. 88

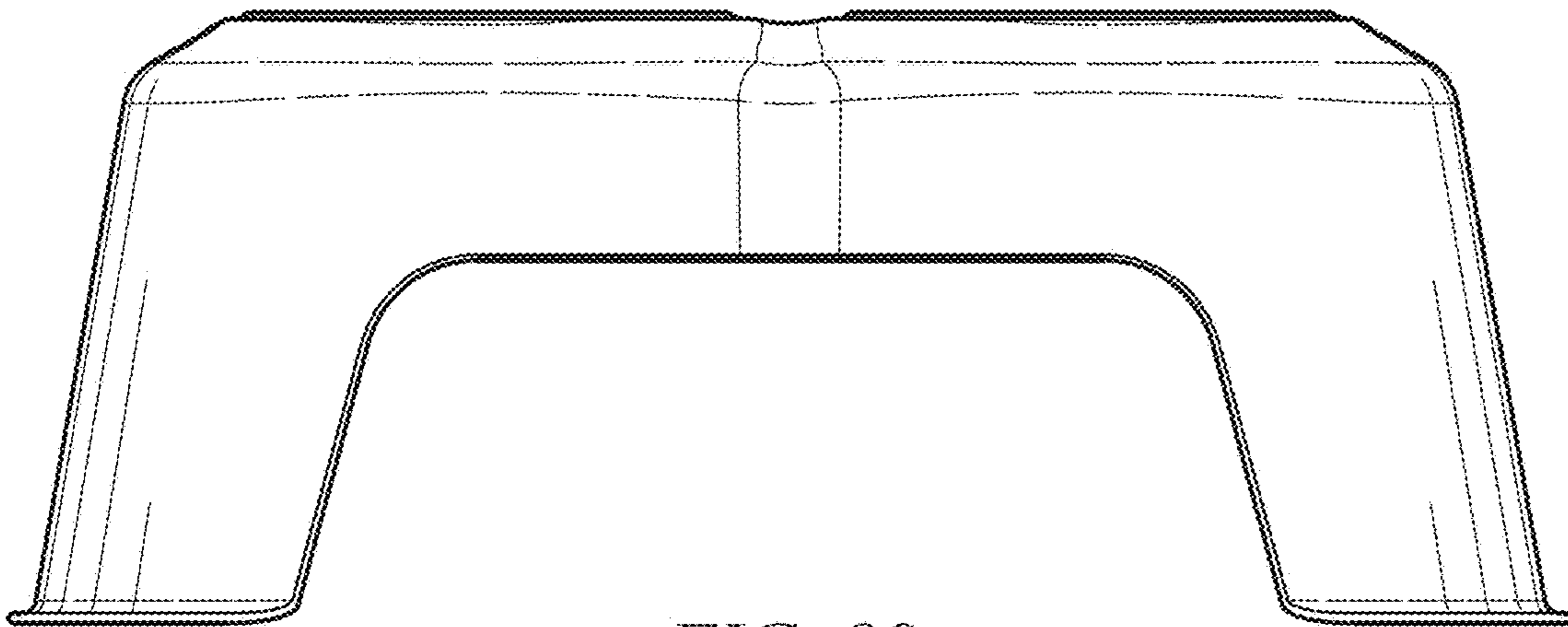


FIG. 89

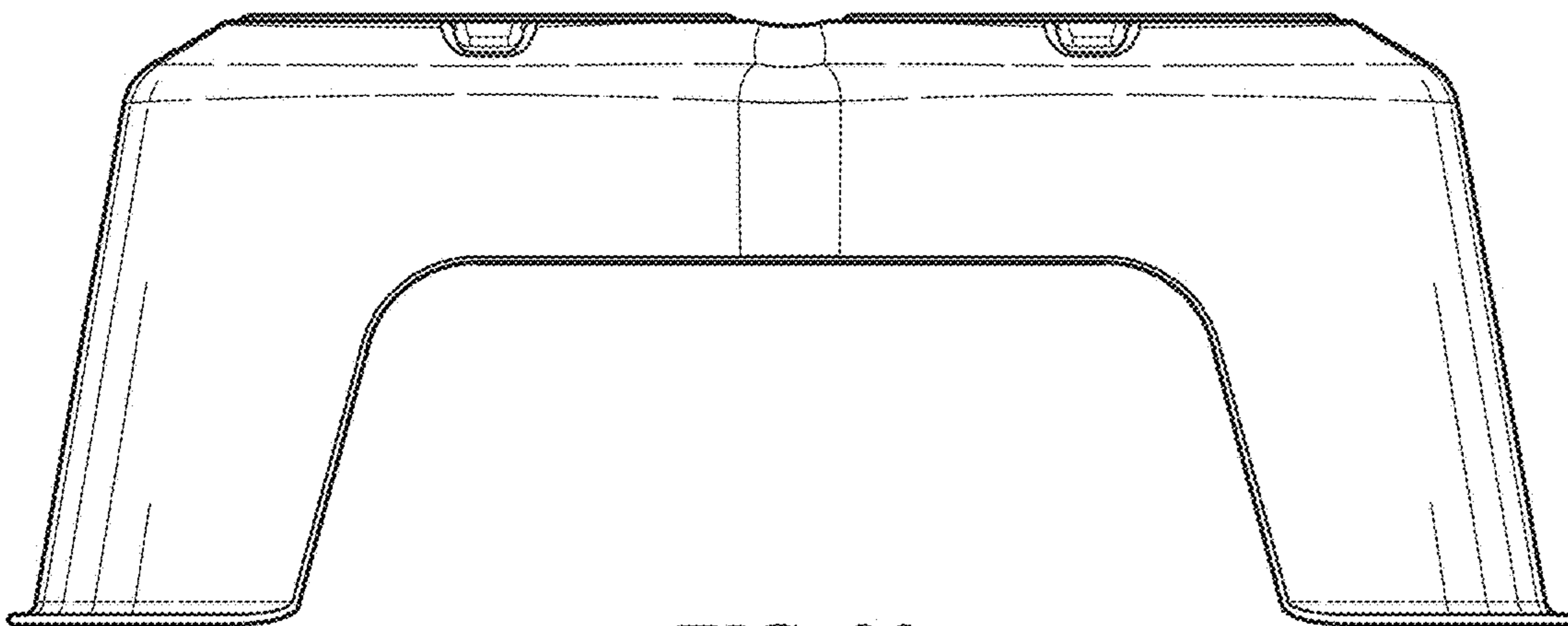


FIG. 90

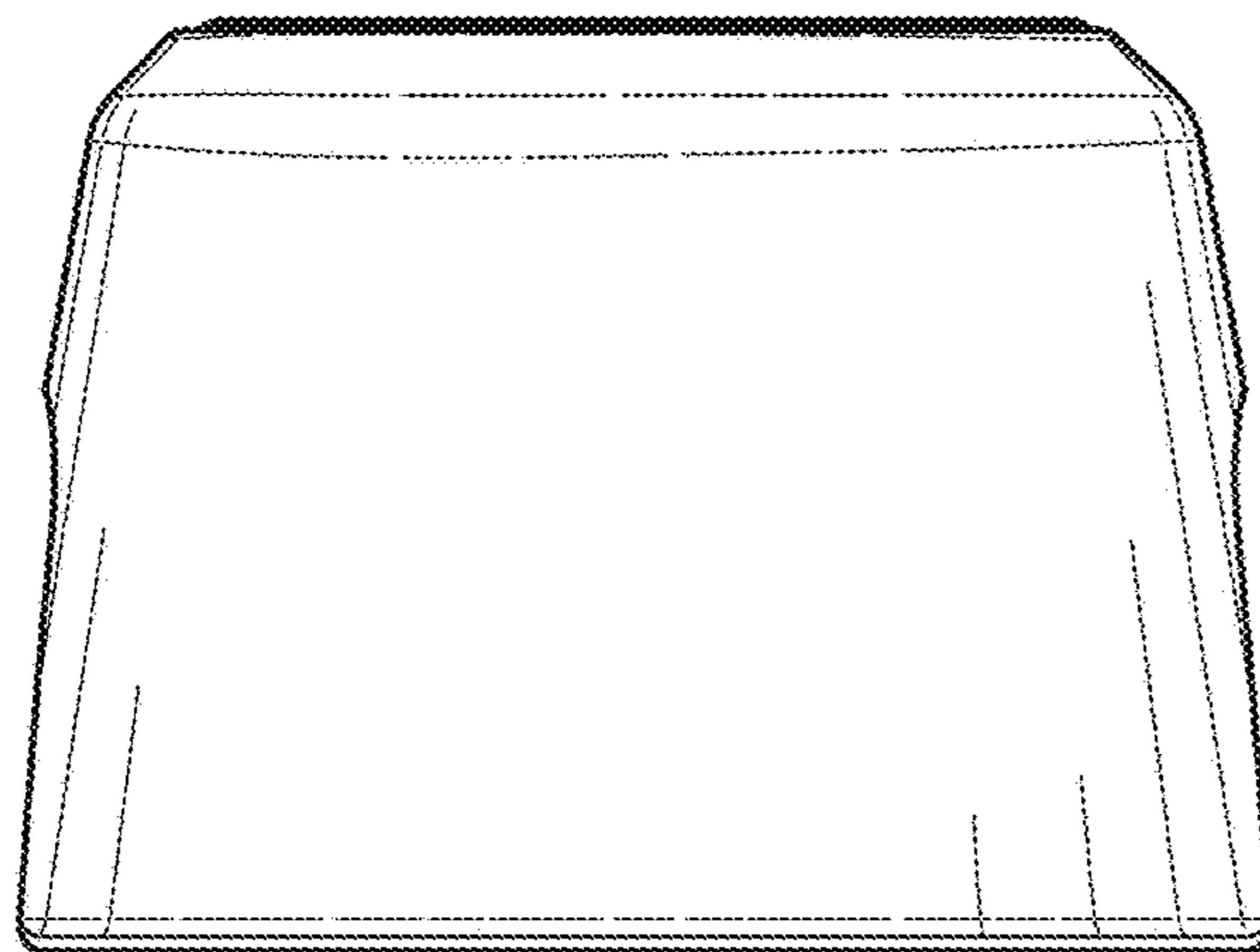


FIG. 91

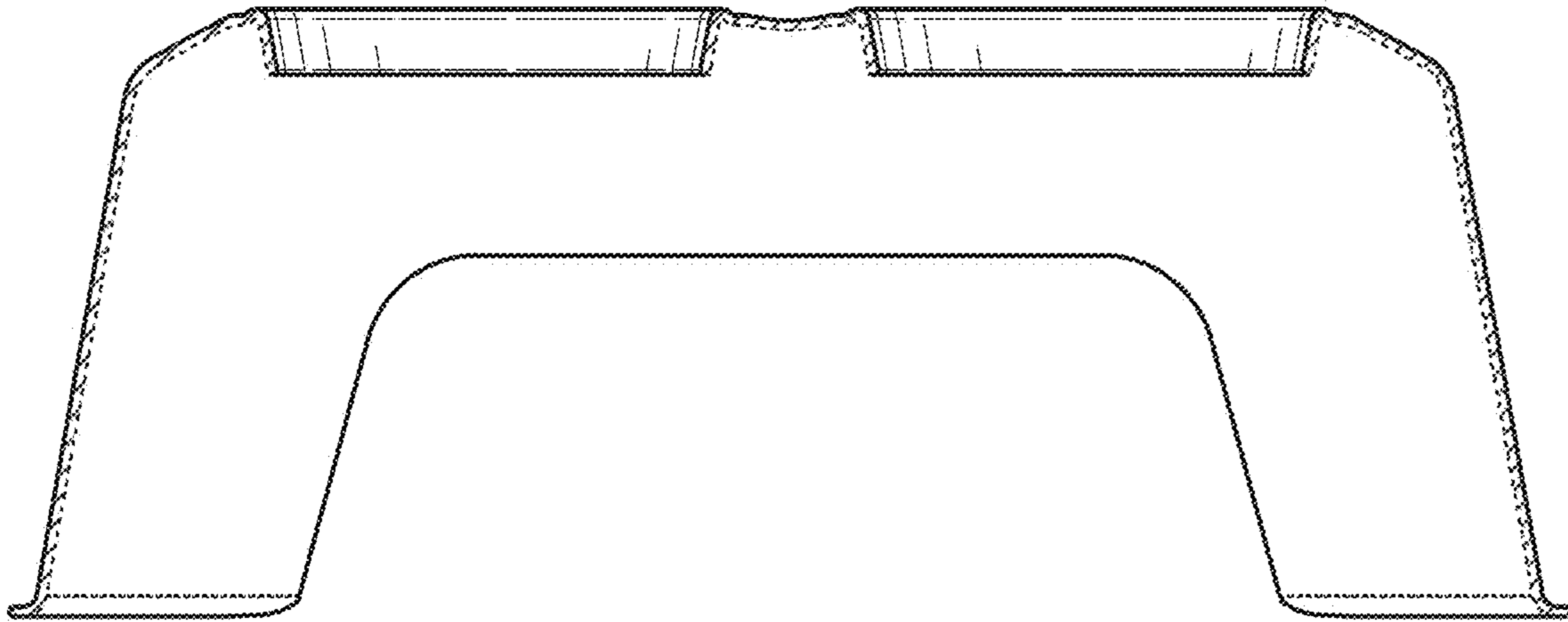


FIG. 92

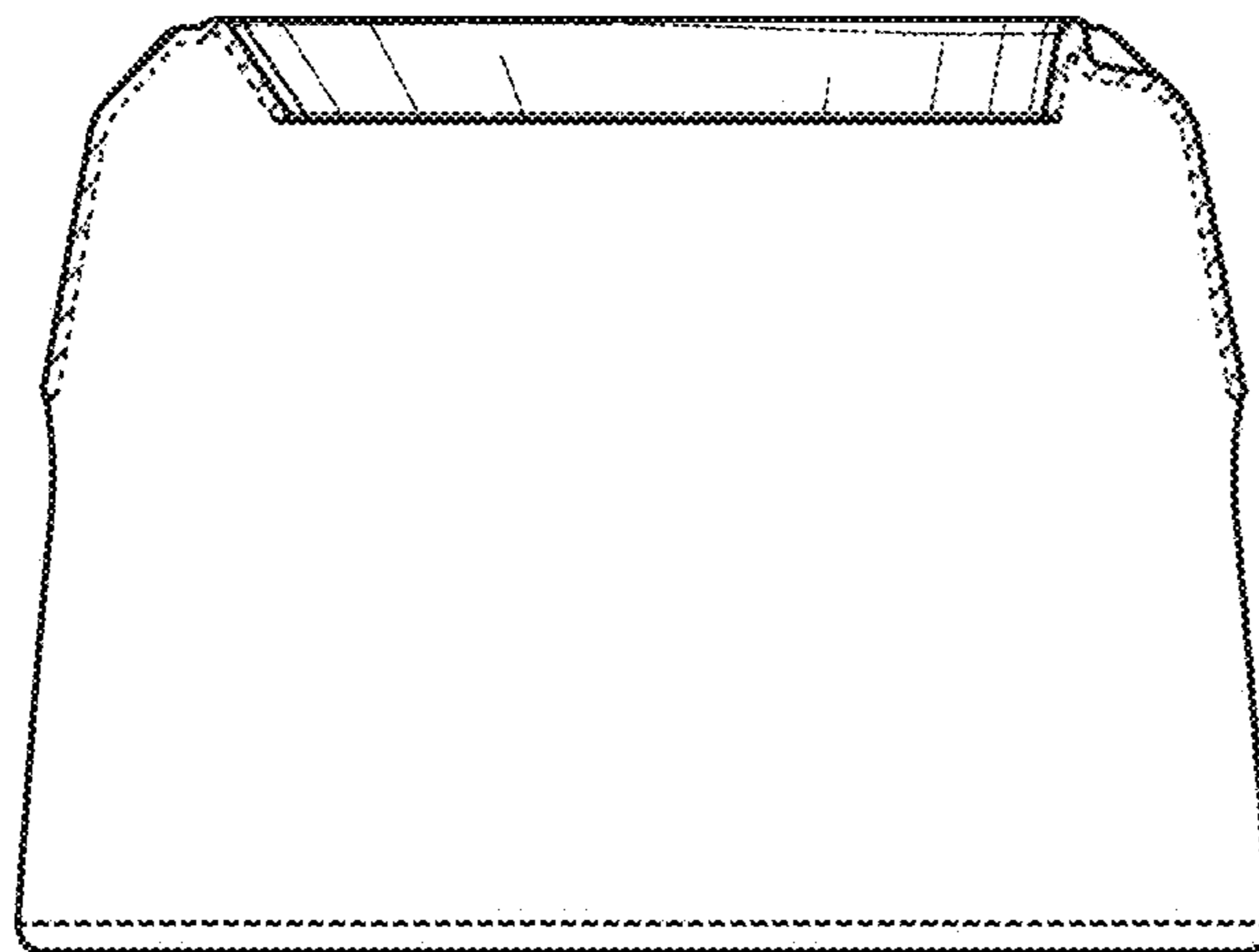


FIG. 93

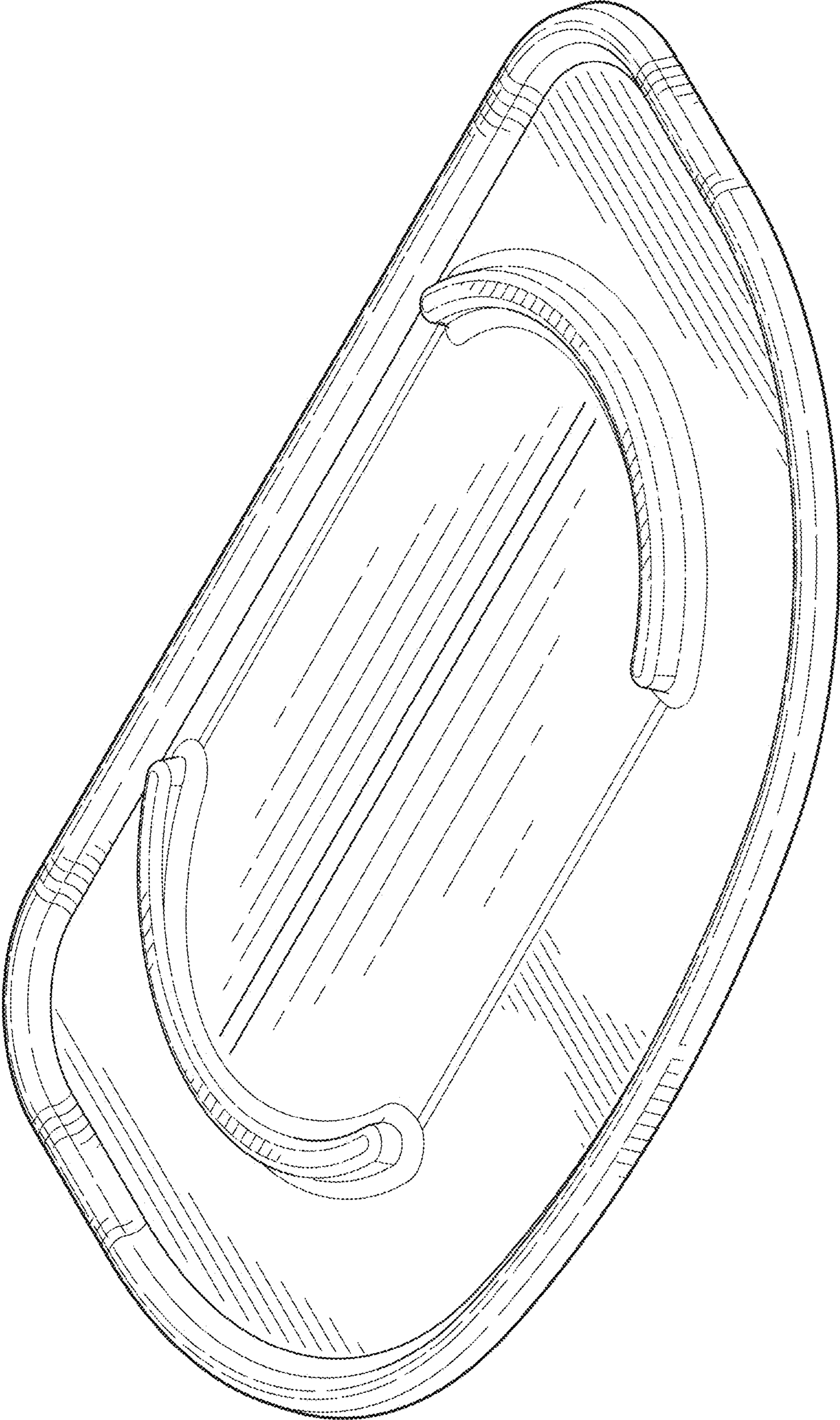


FIG. 94

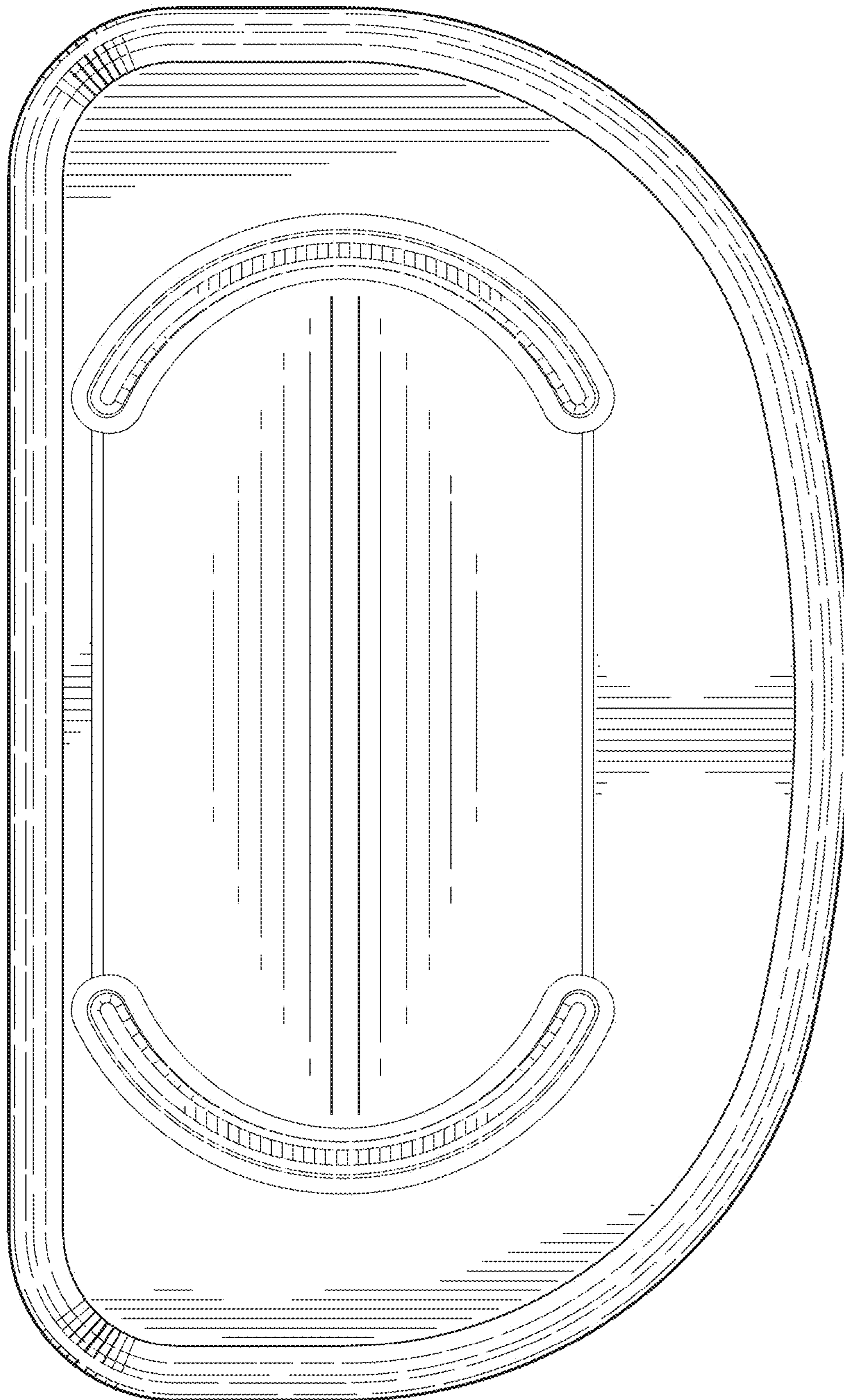


FIG. 95

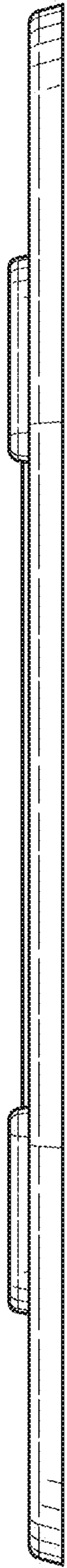


FIG. 96

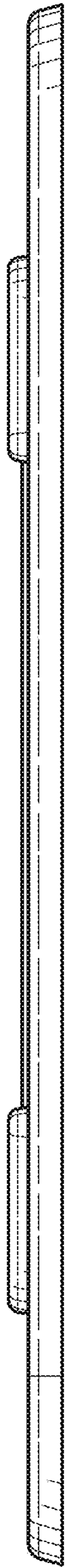


FIG. 97

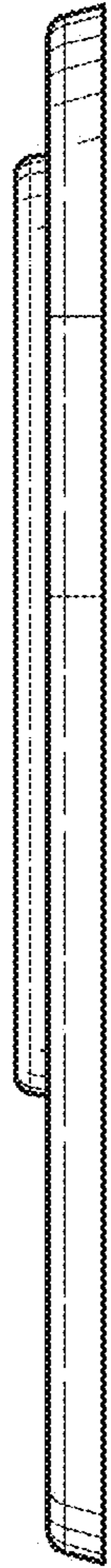


FIG. 98

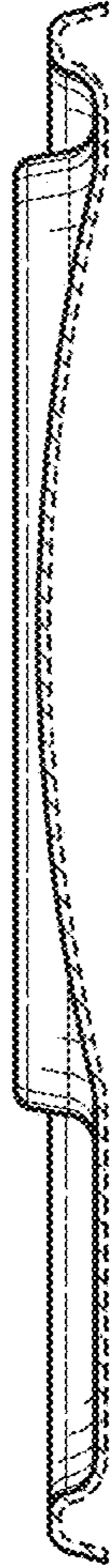


FIG. 99

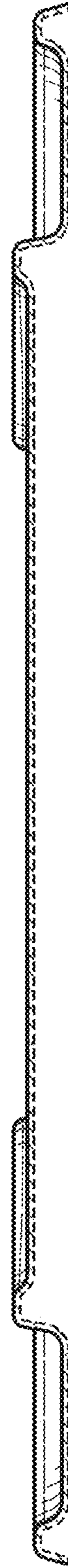


FIG. 100

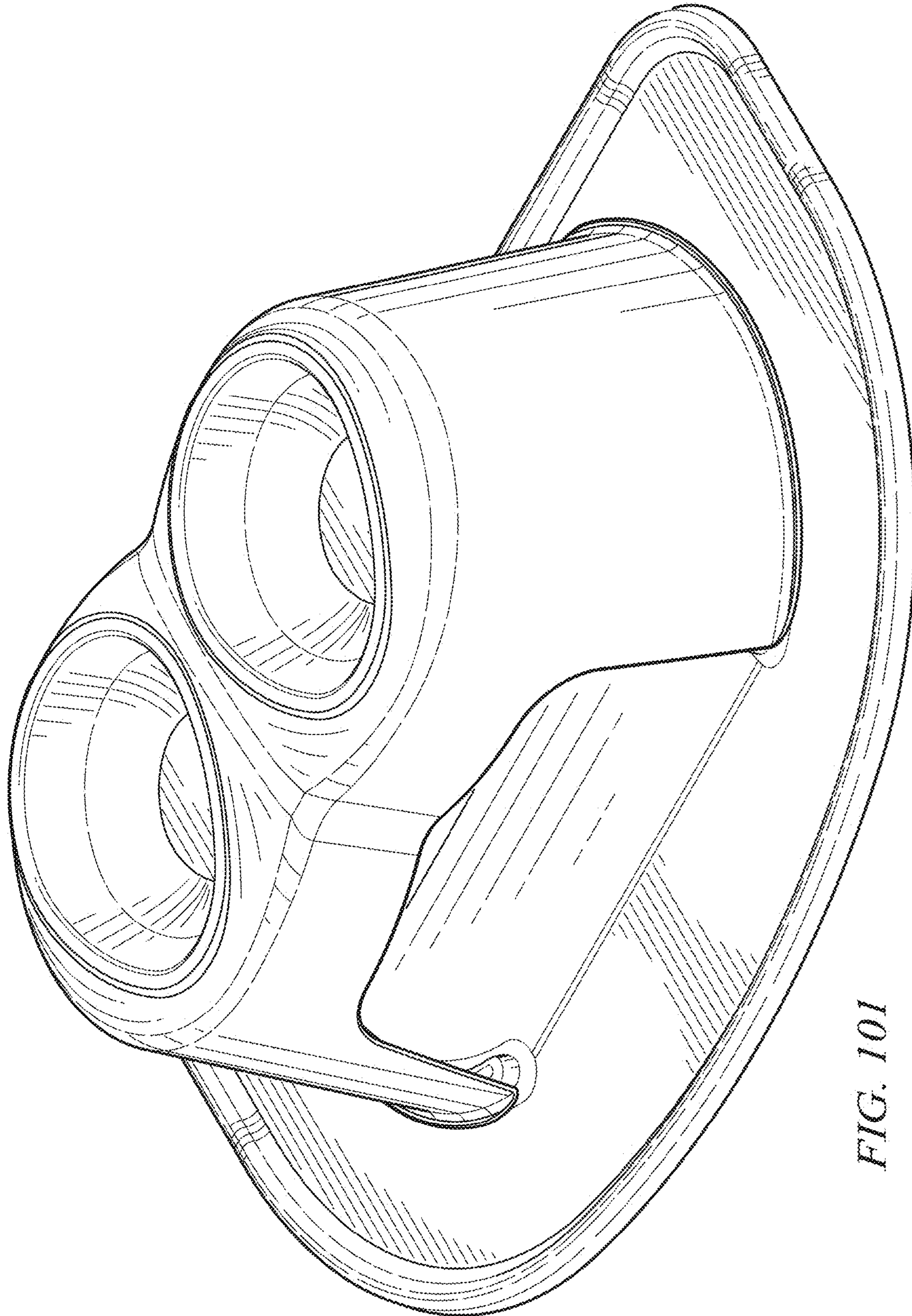


FIG. 101

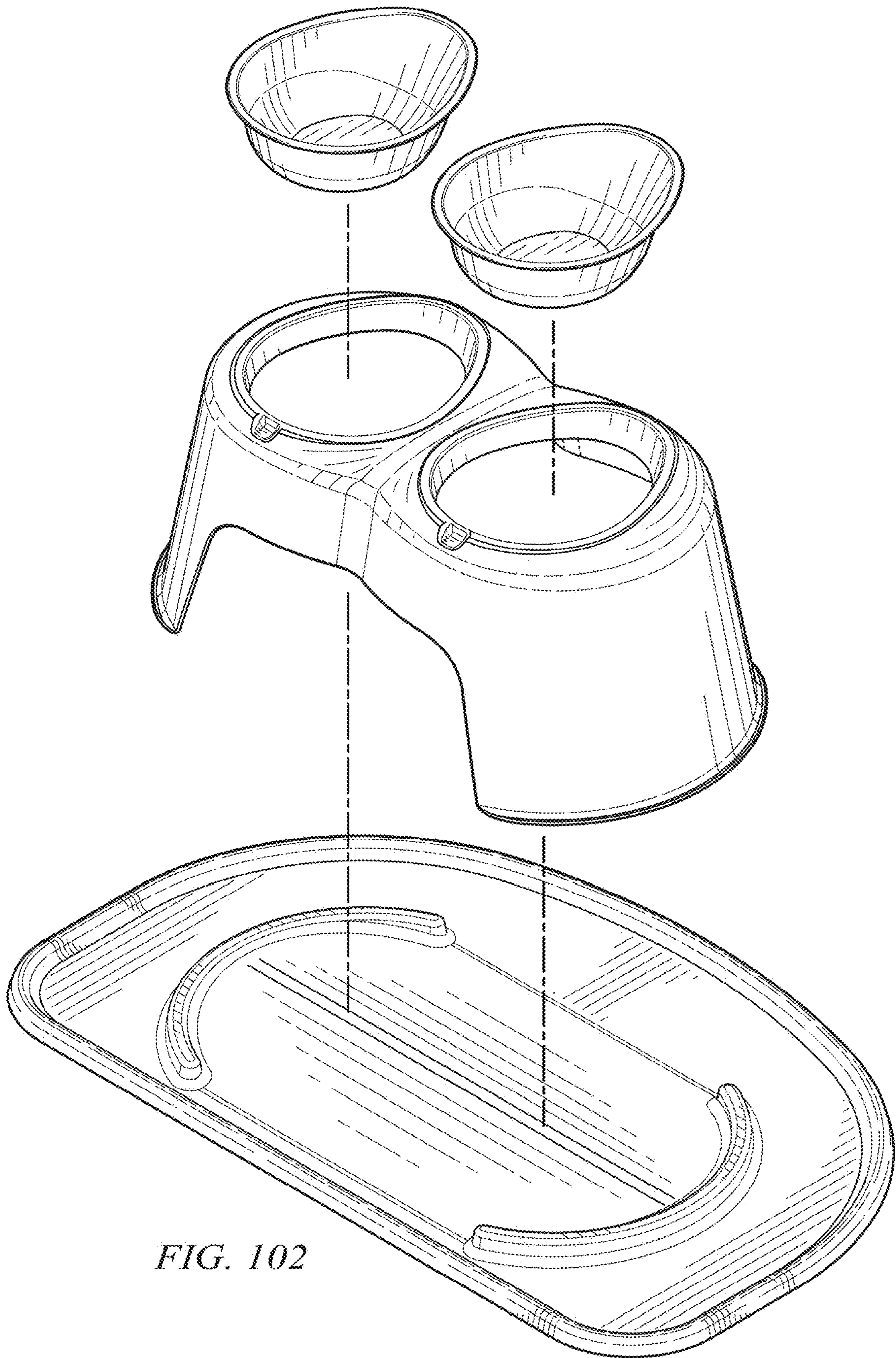


FIG. 102

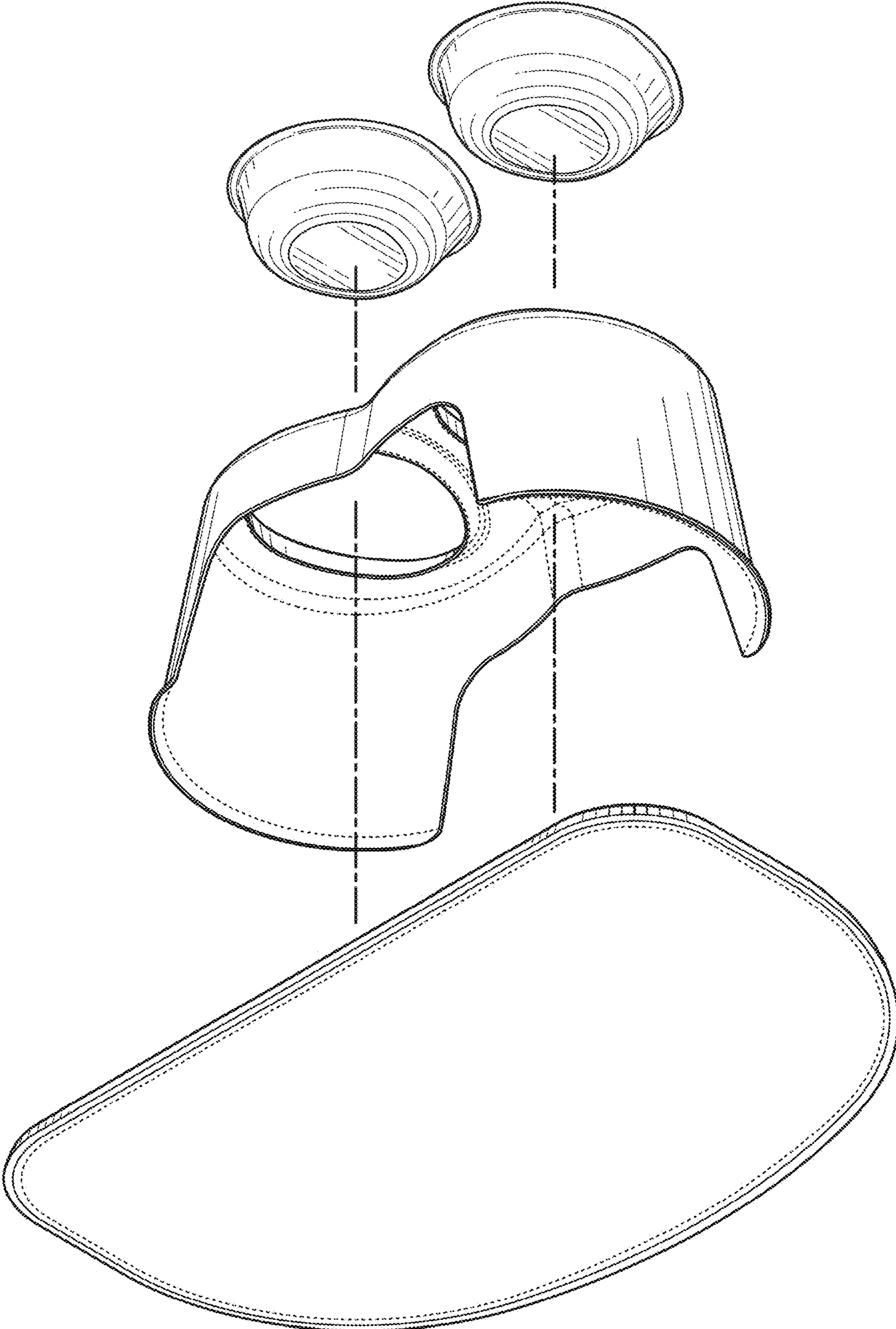


FIG. 103

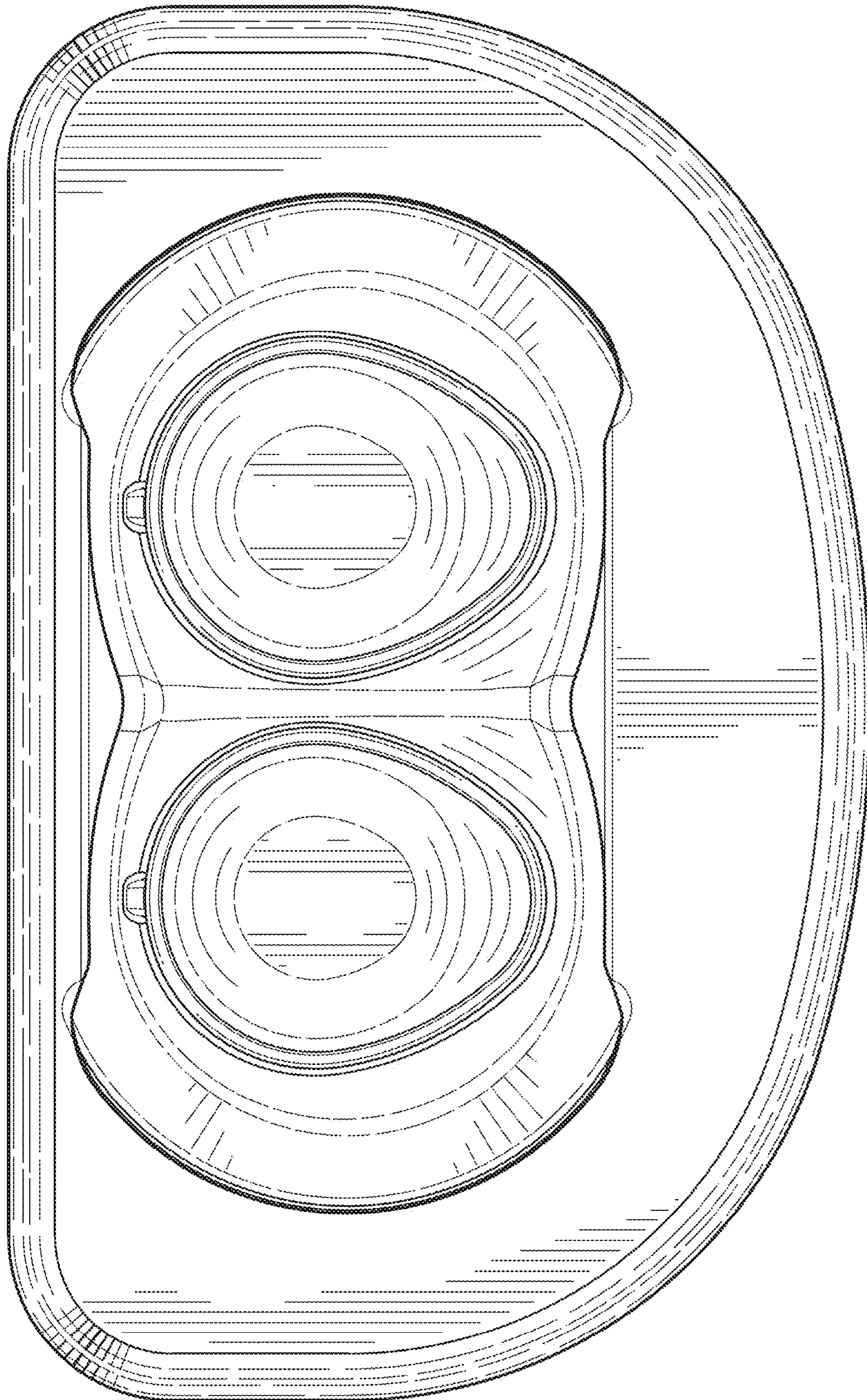


FIG. 104

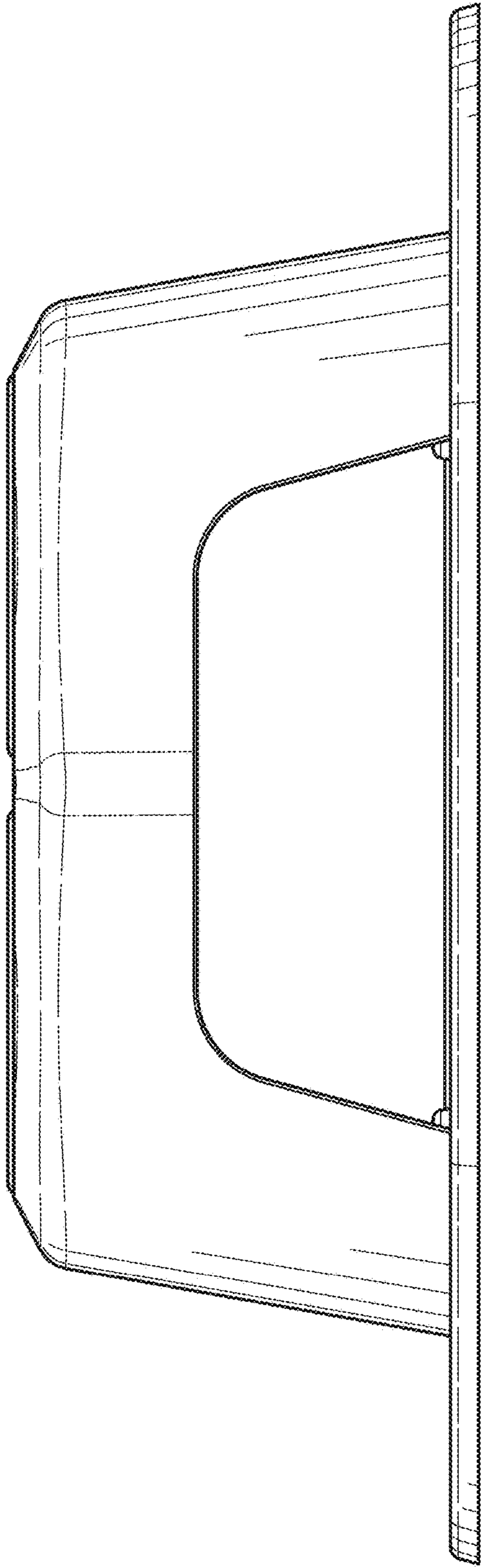


FIG. 105

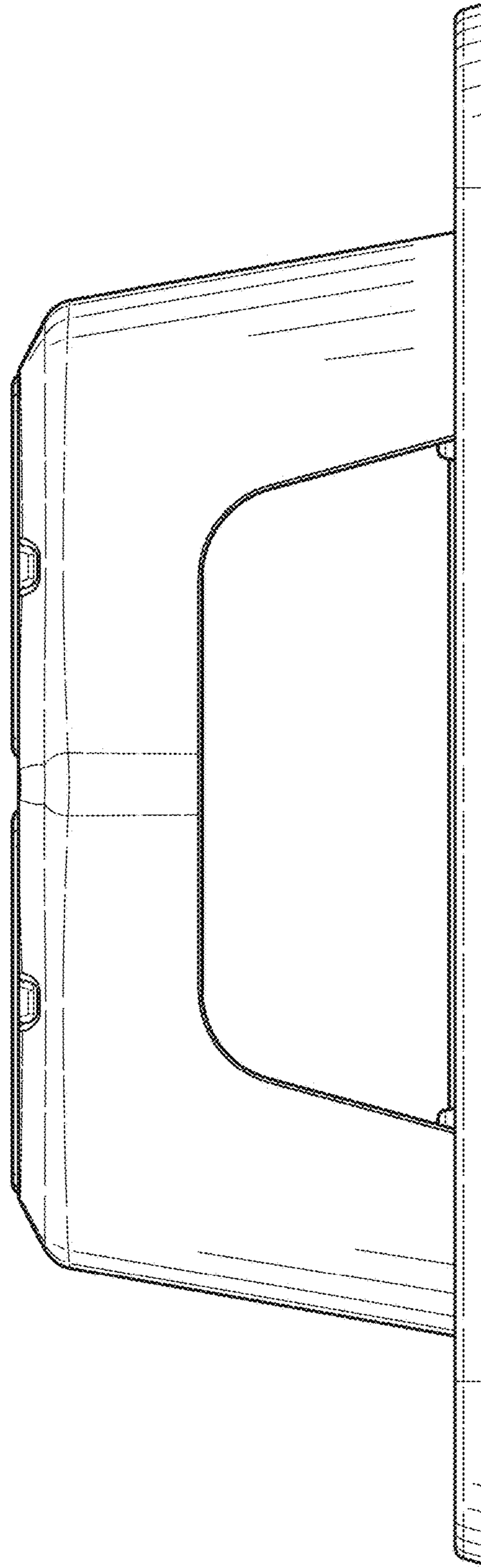


FIG. 106

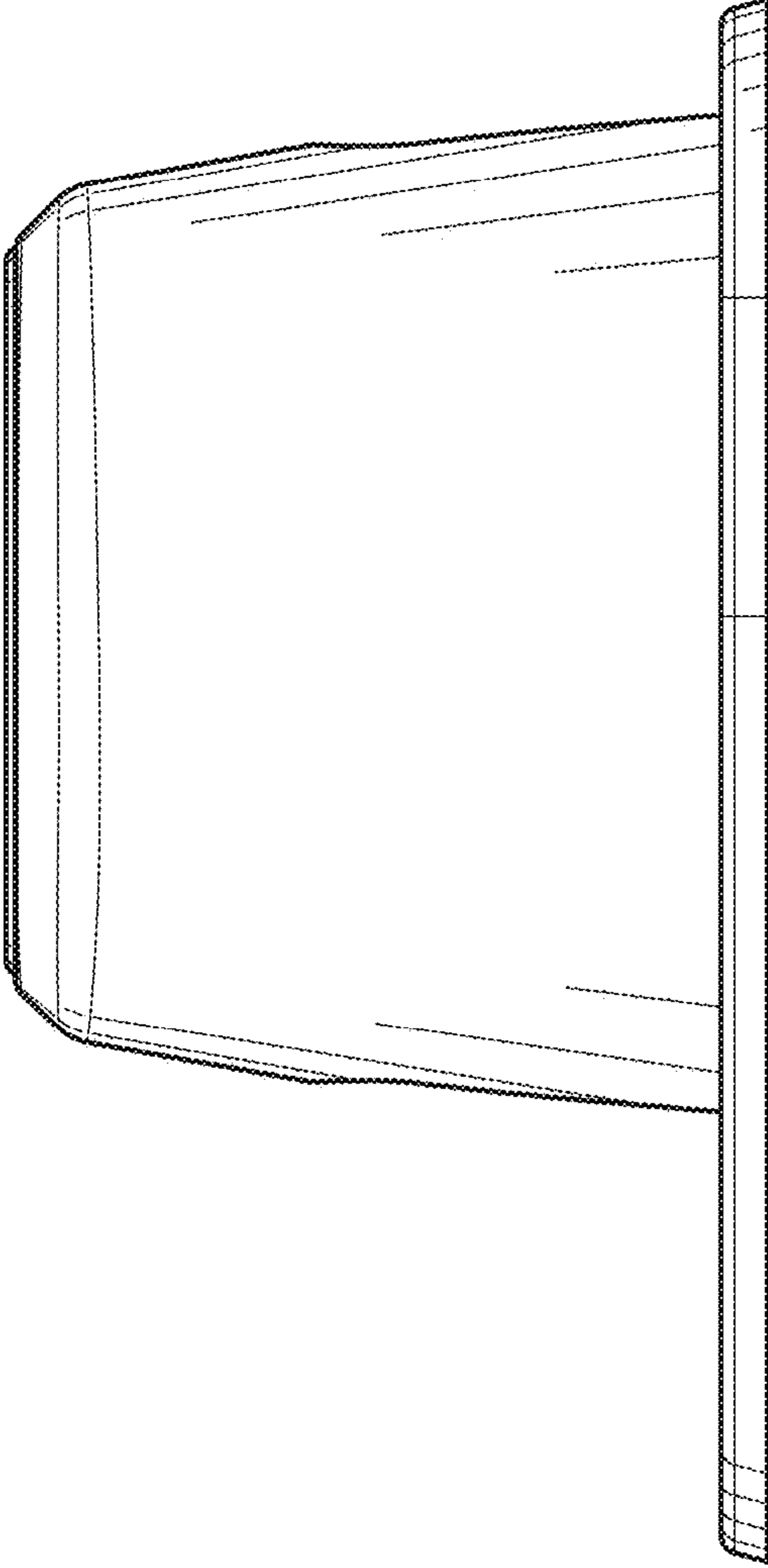


FIG. 107

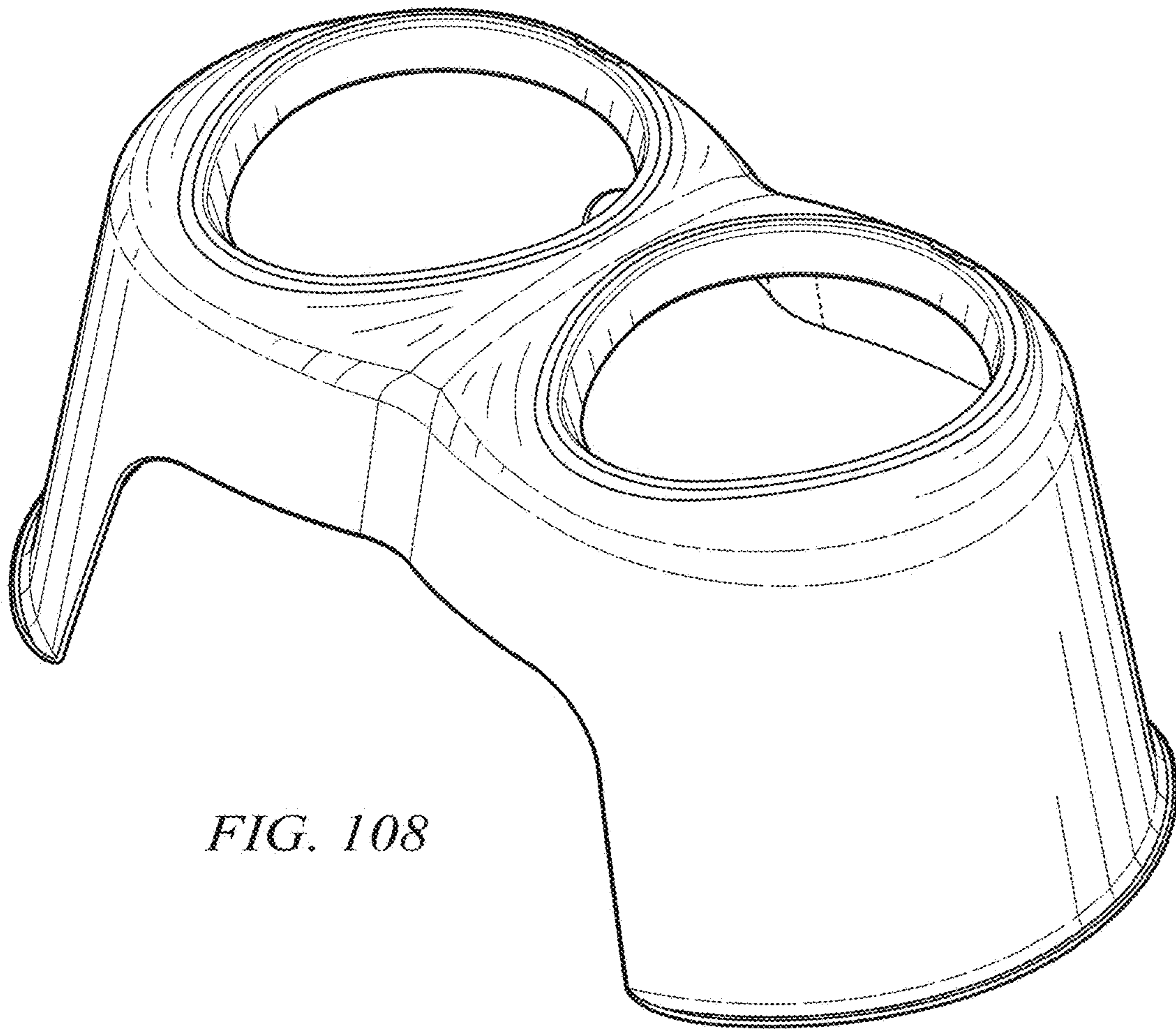


FIG. 108

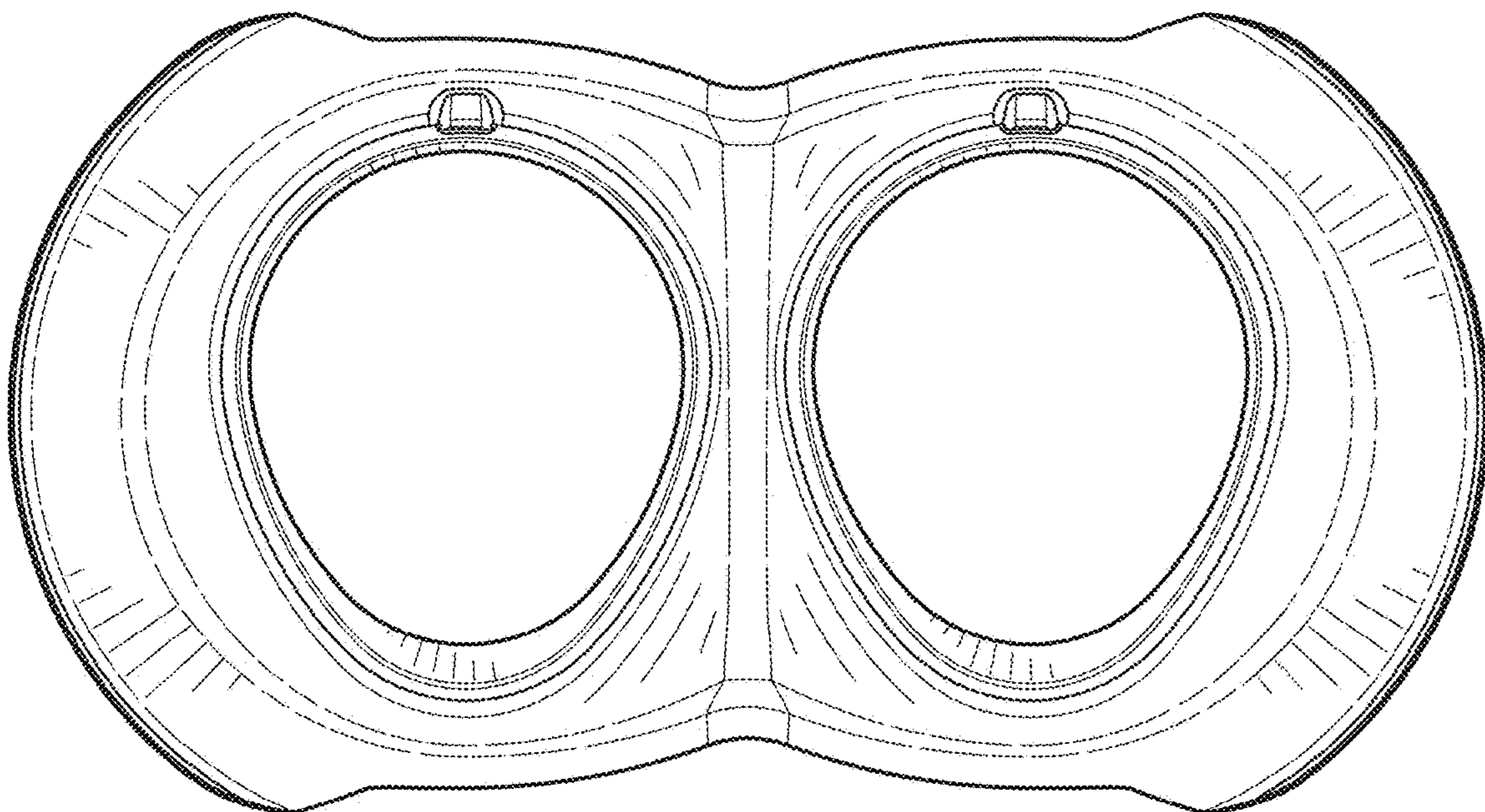
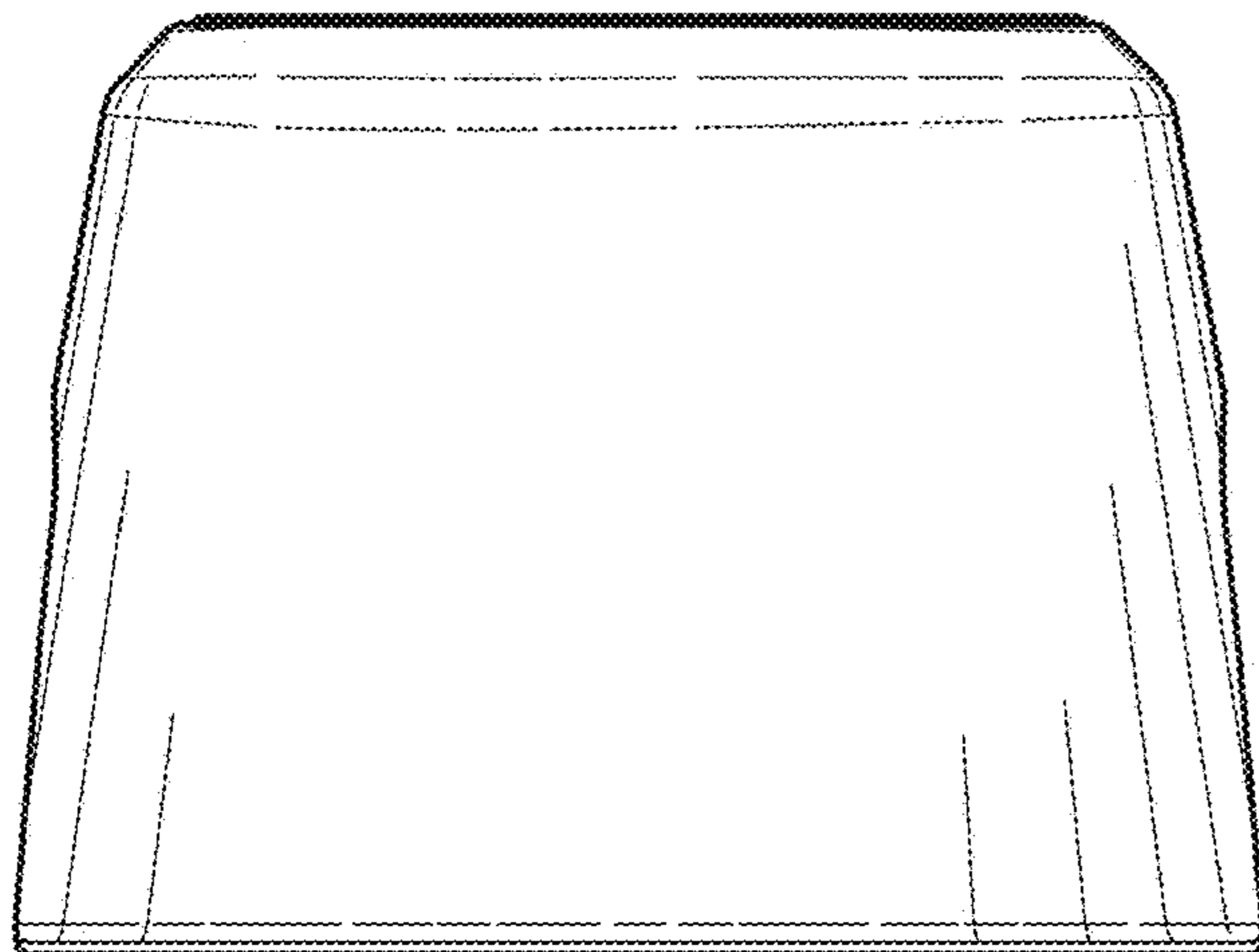
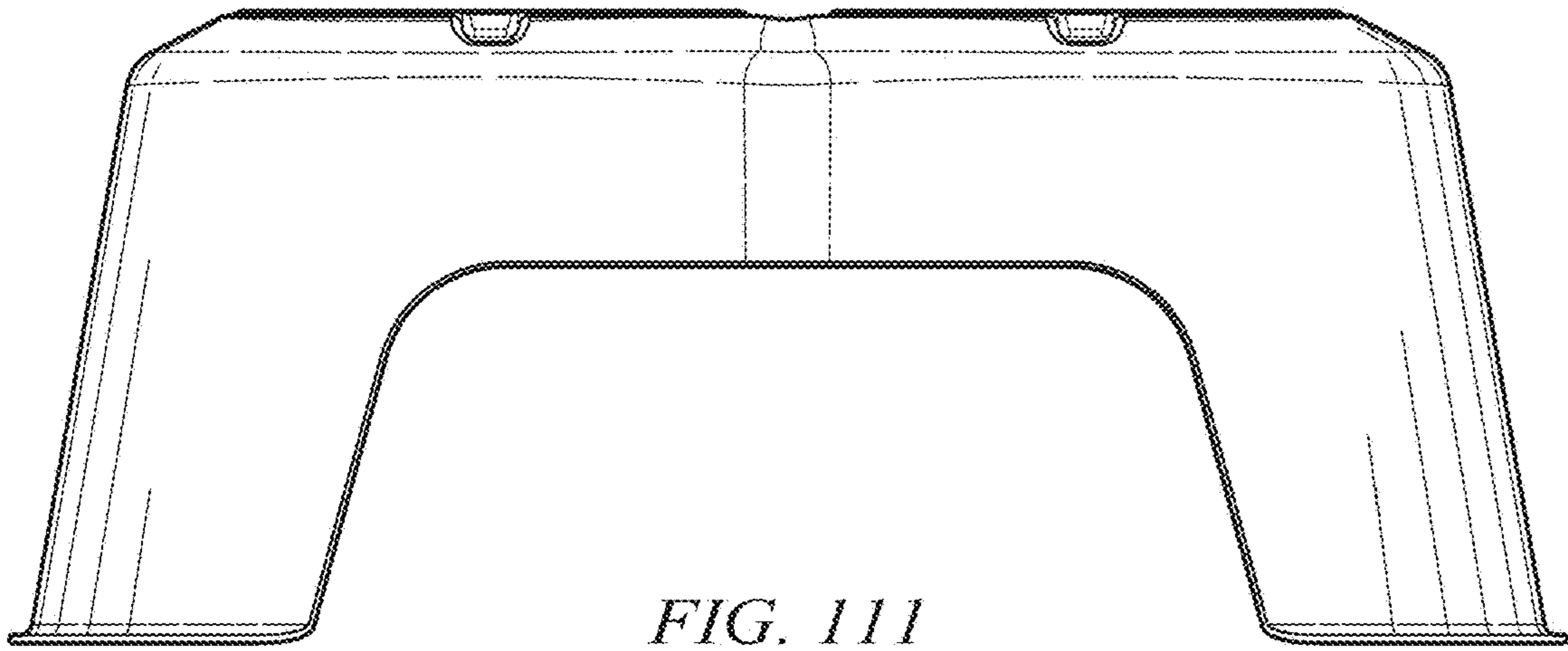
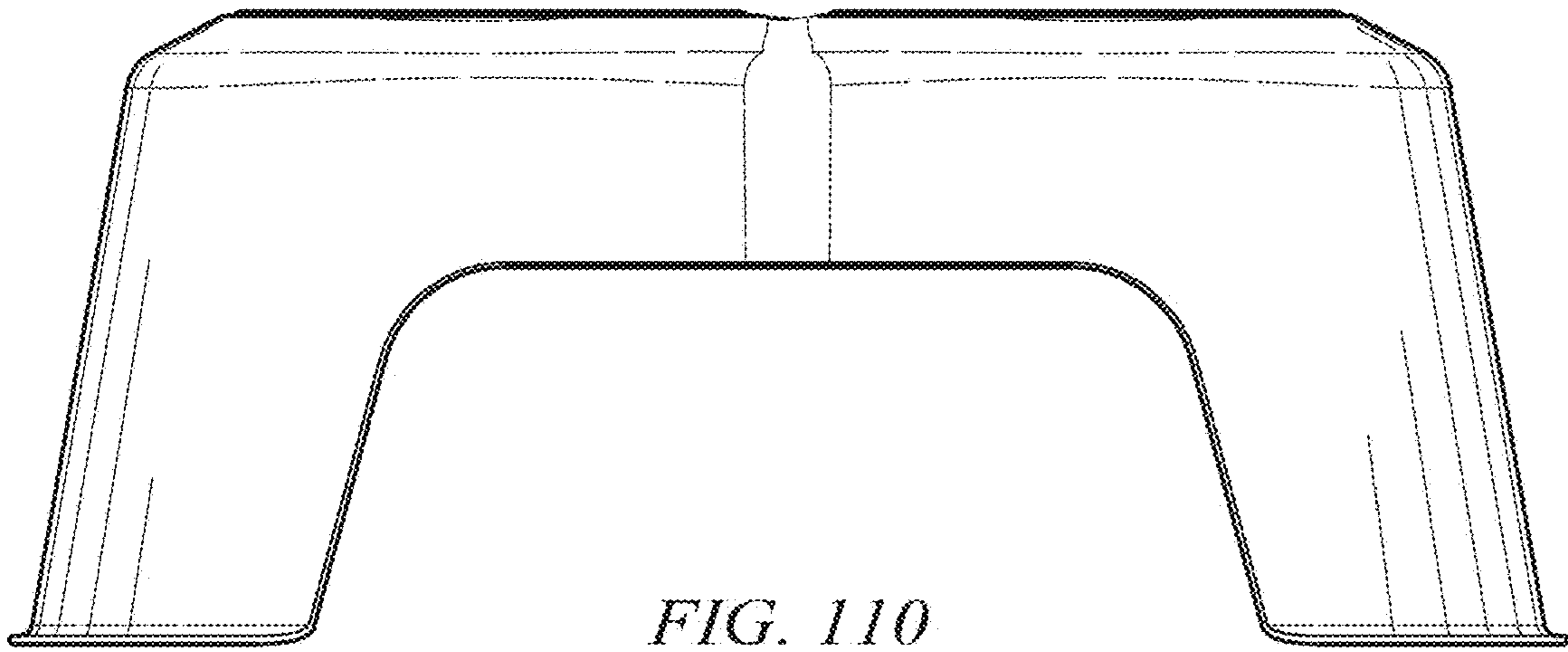


FIG. 109



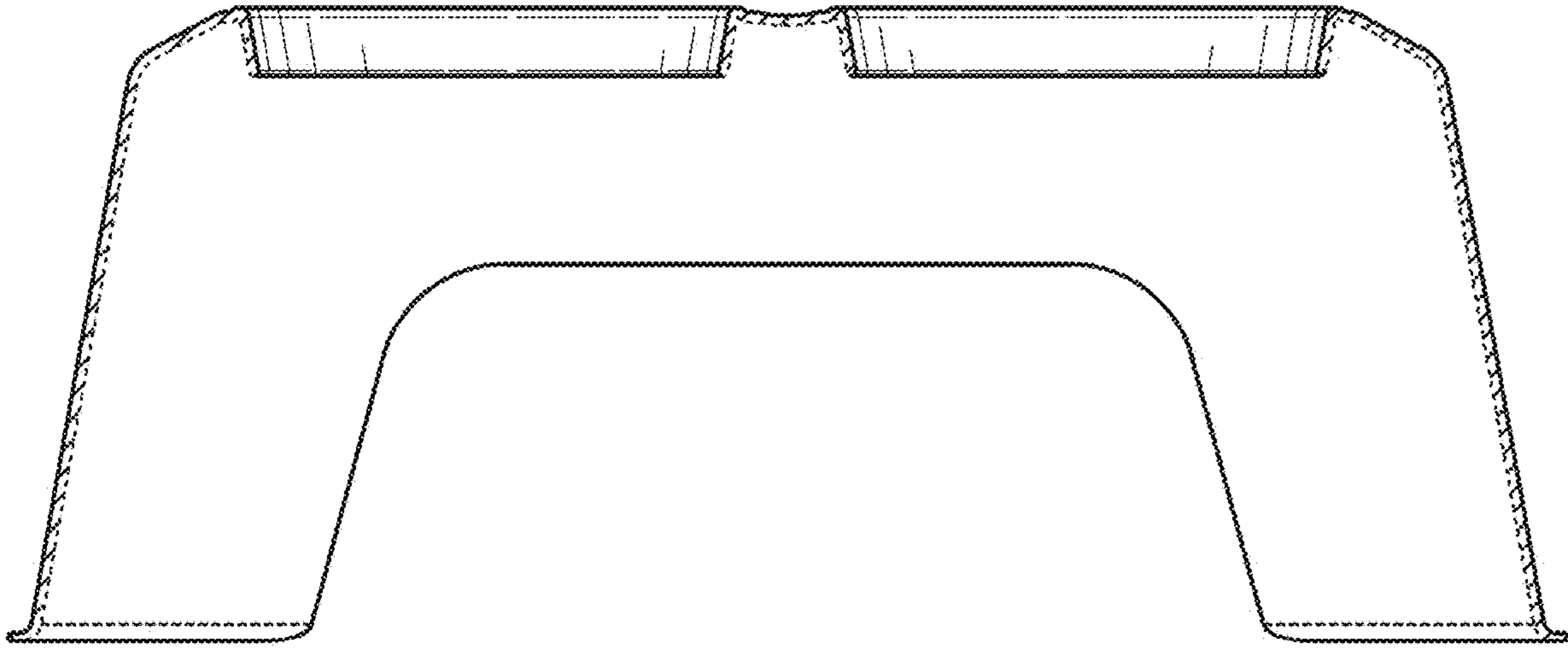


FIG. 113

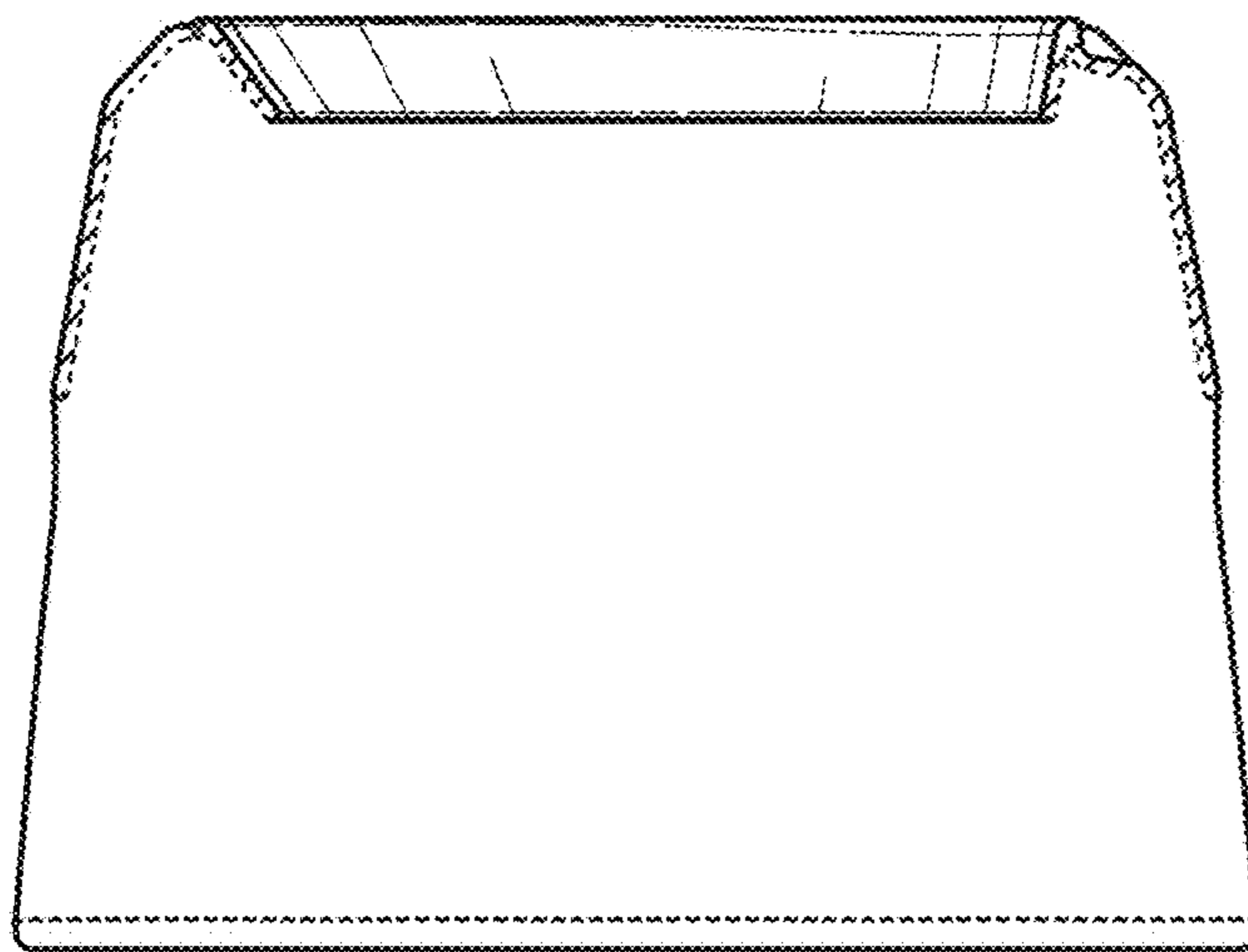


FIG. 114

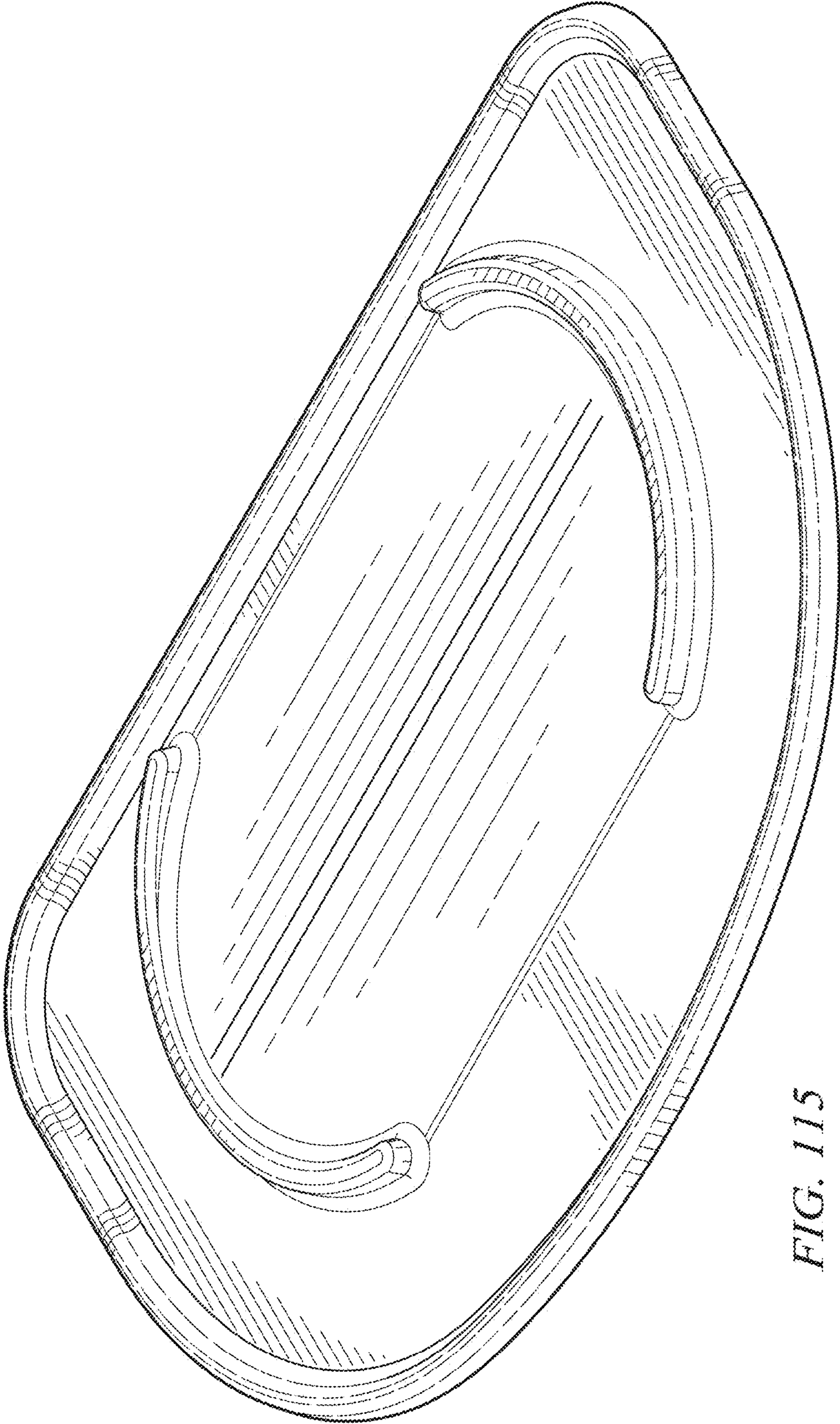


FIG. 115

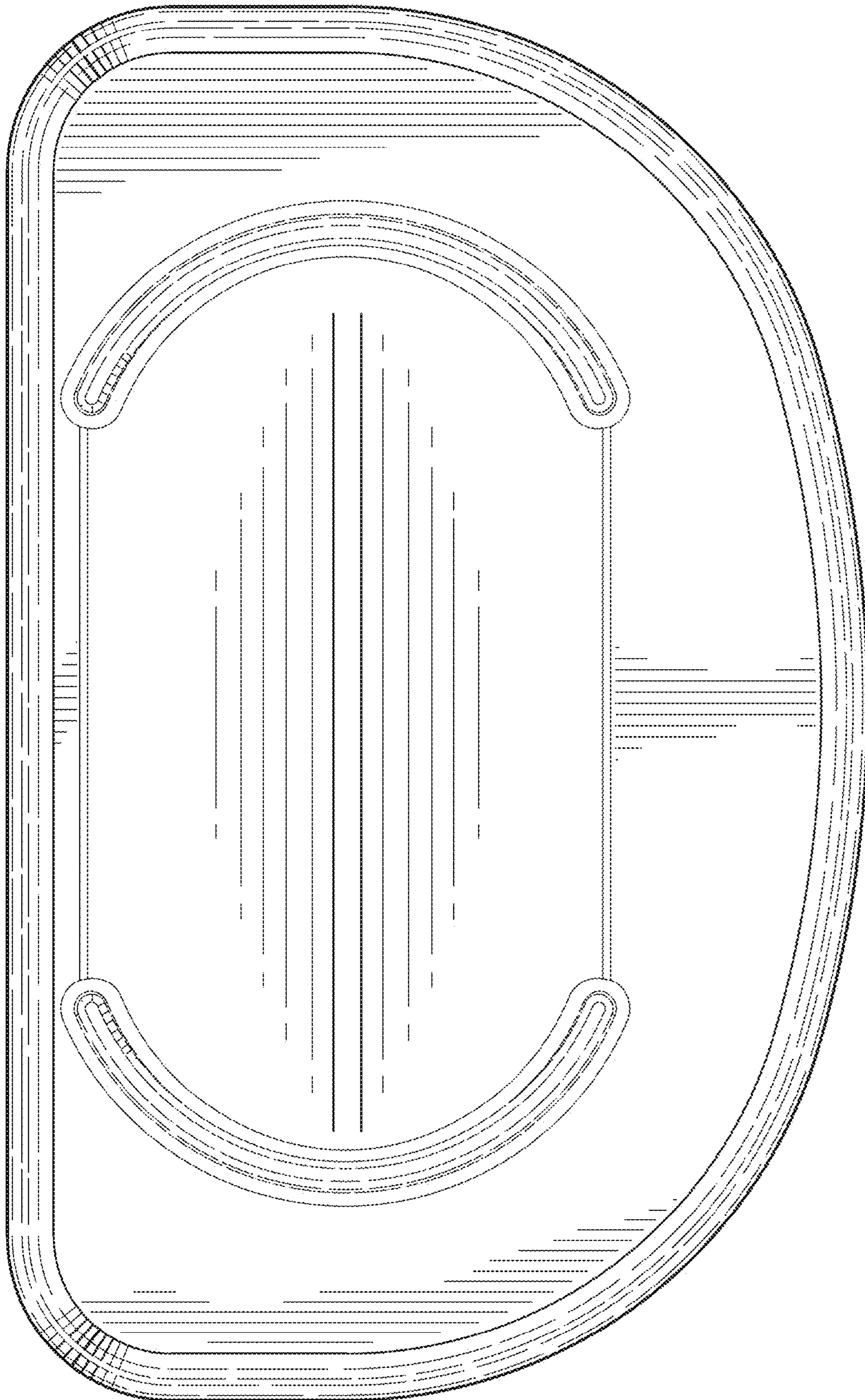


FIG. 116



FIG. 117

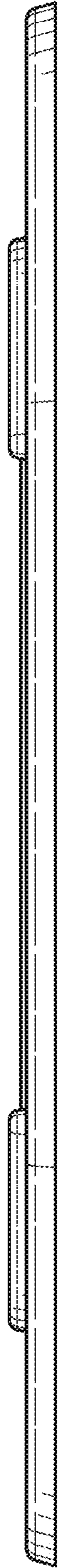


FIG. 118

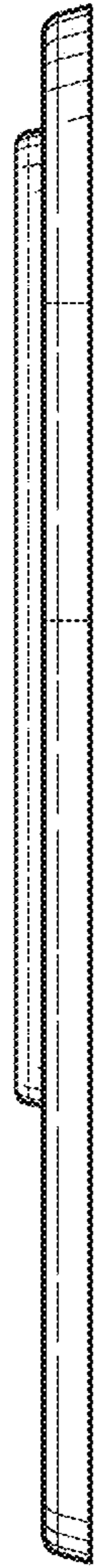


FIG. 119

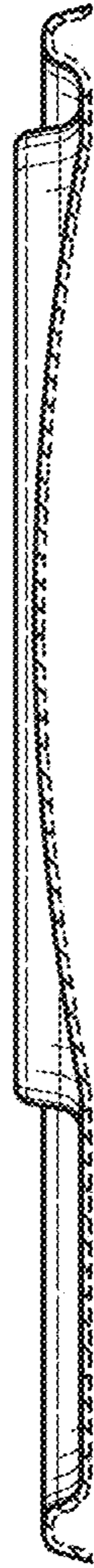


FIG. 120

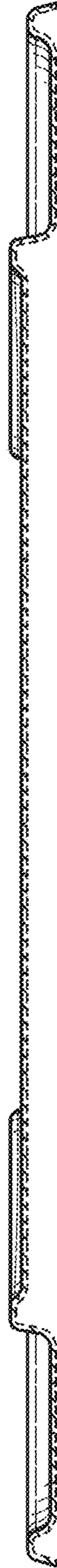


FIG. 121

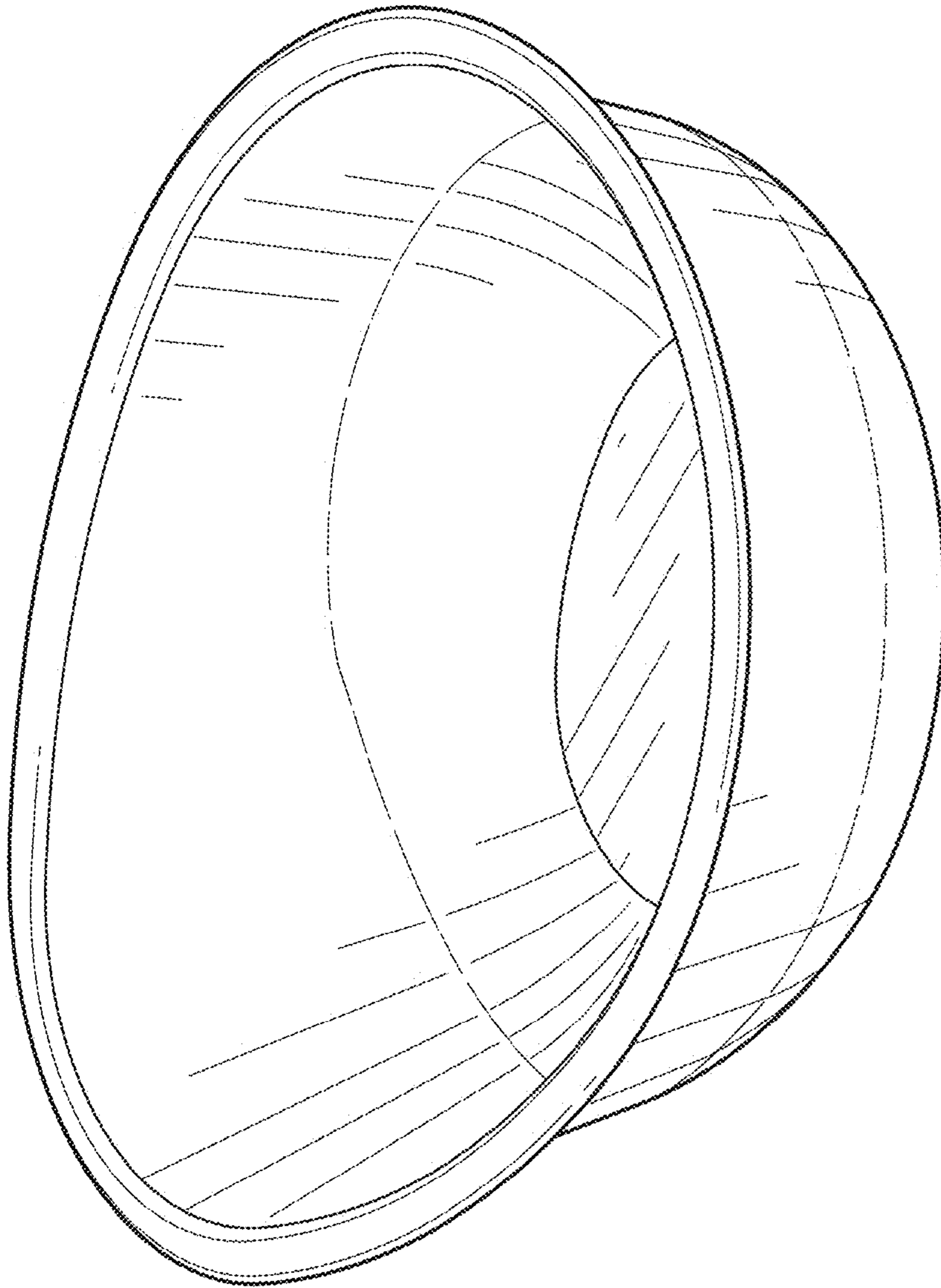


FIG. 122

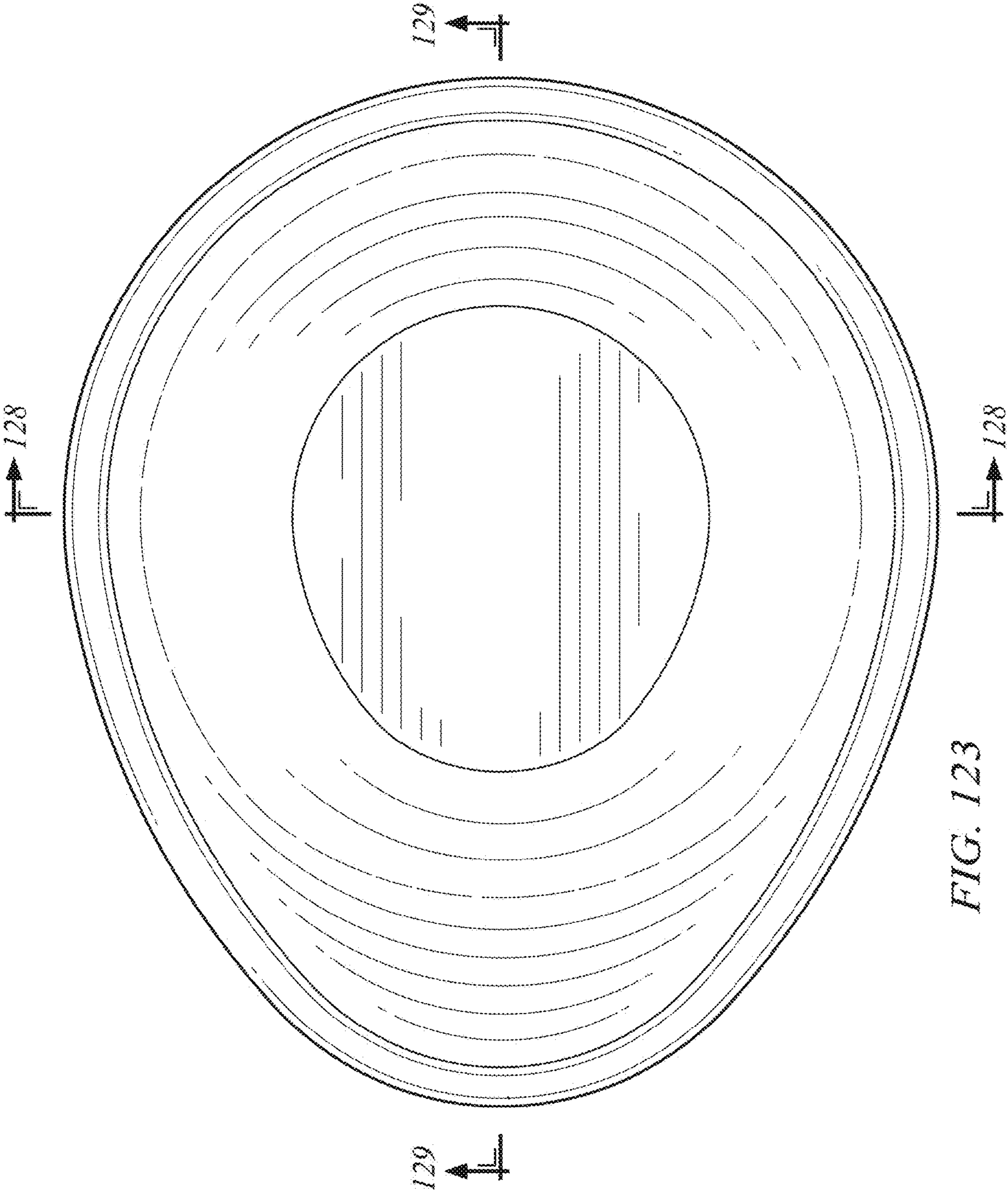


FIG. 123

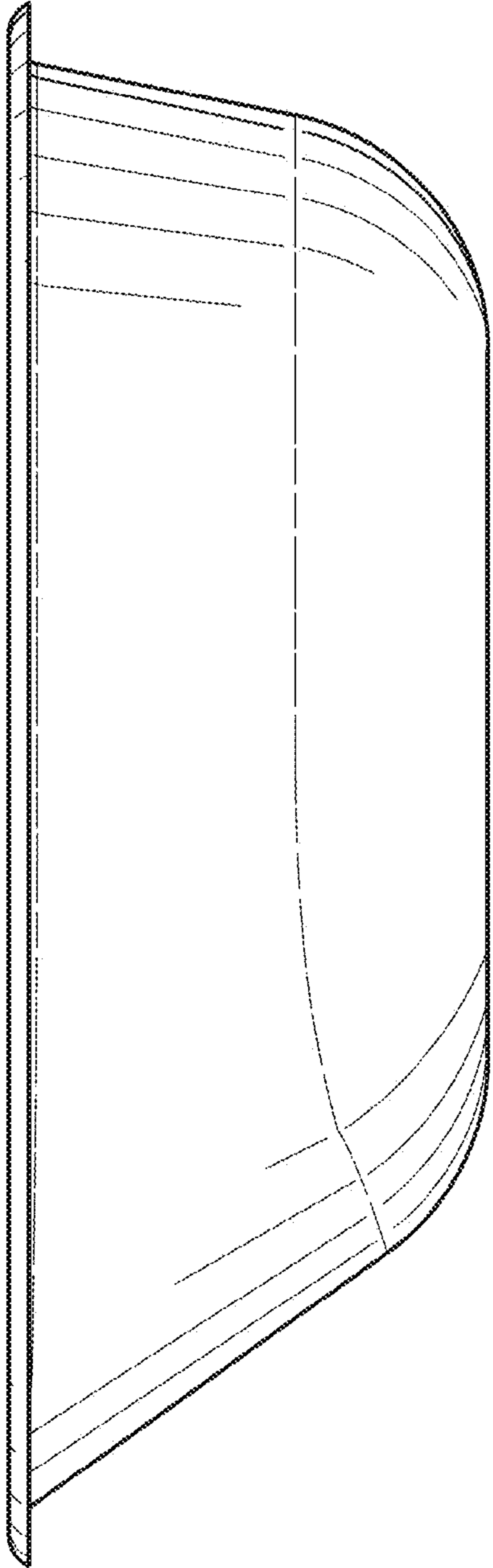


FIG. 124

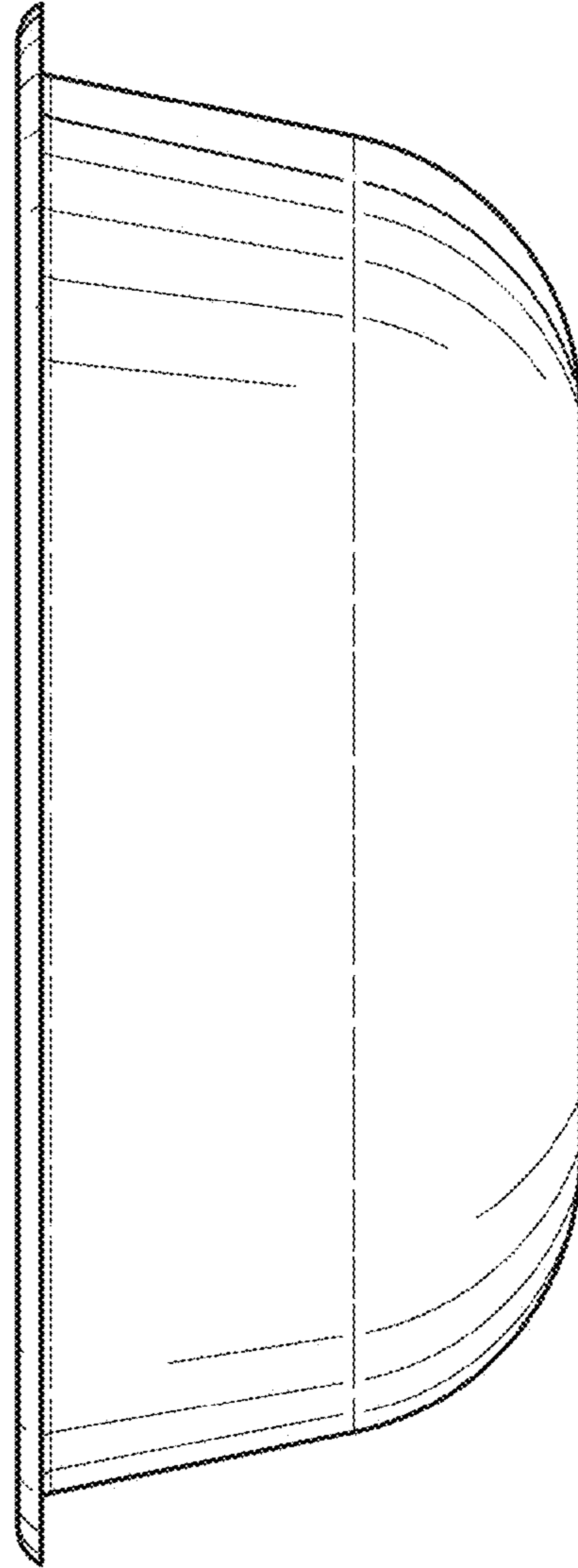


FIG. 125

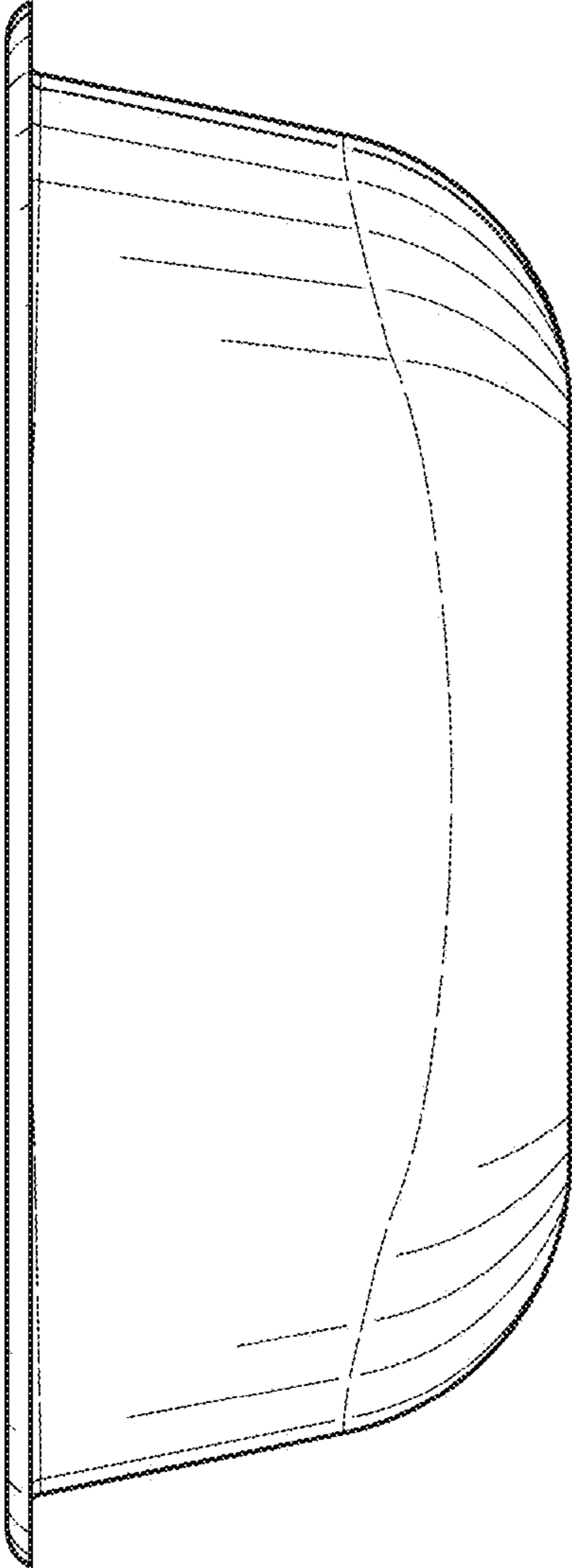


FIG. 126

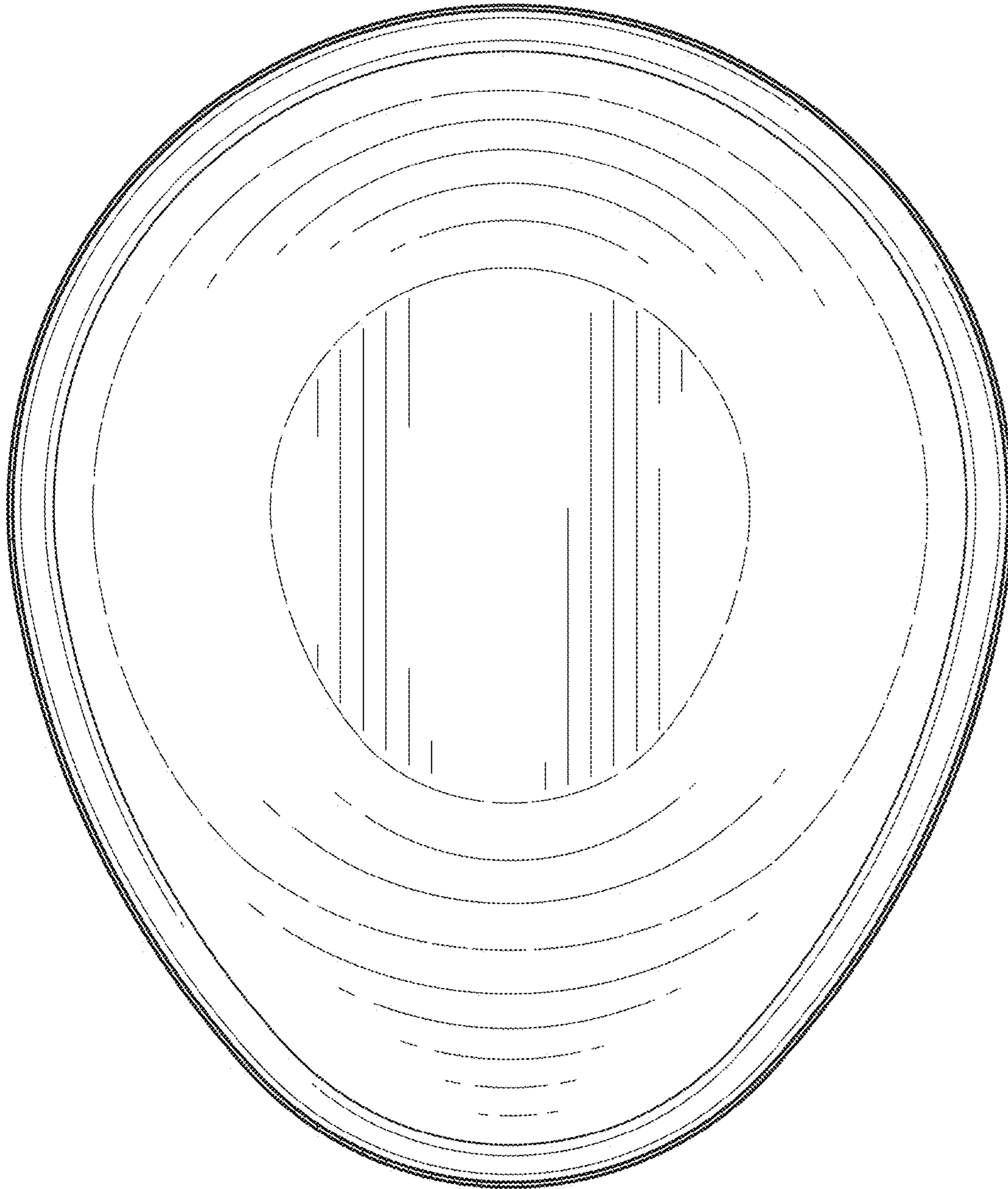


FIG. 127

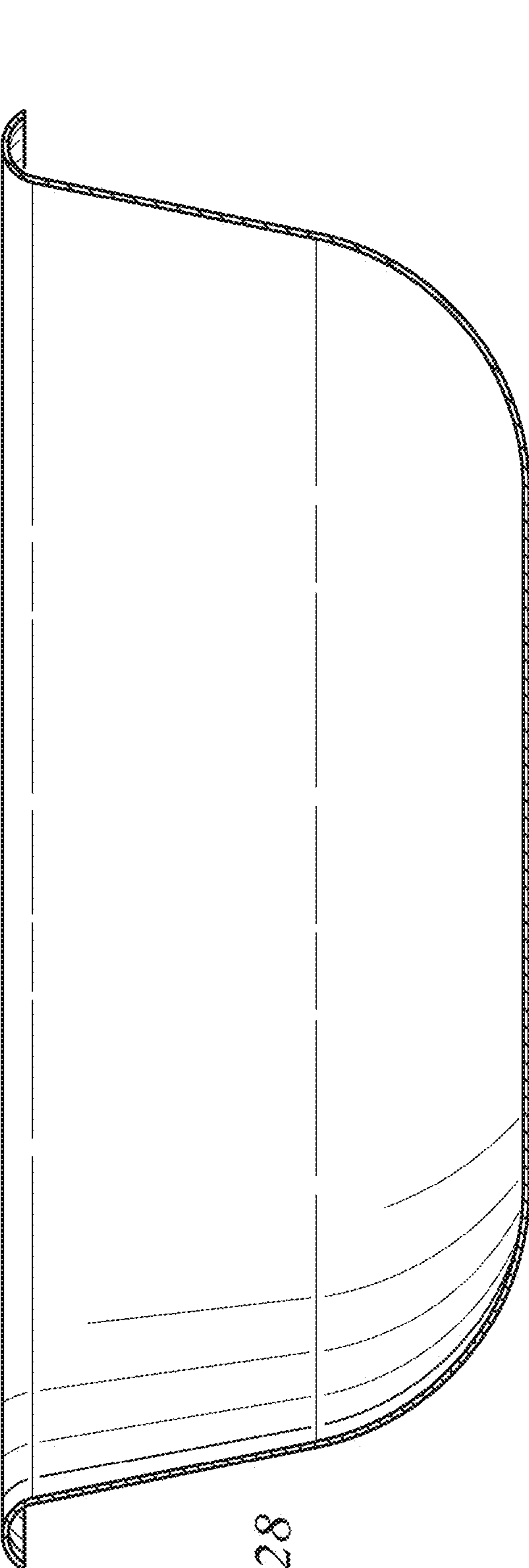


FIG. 128

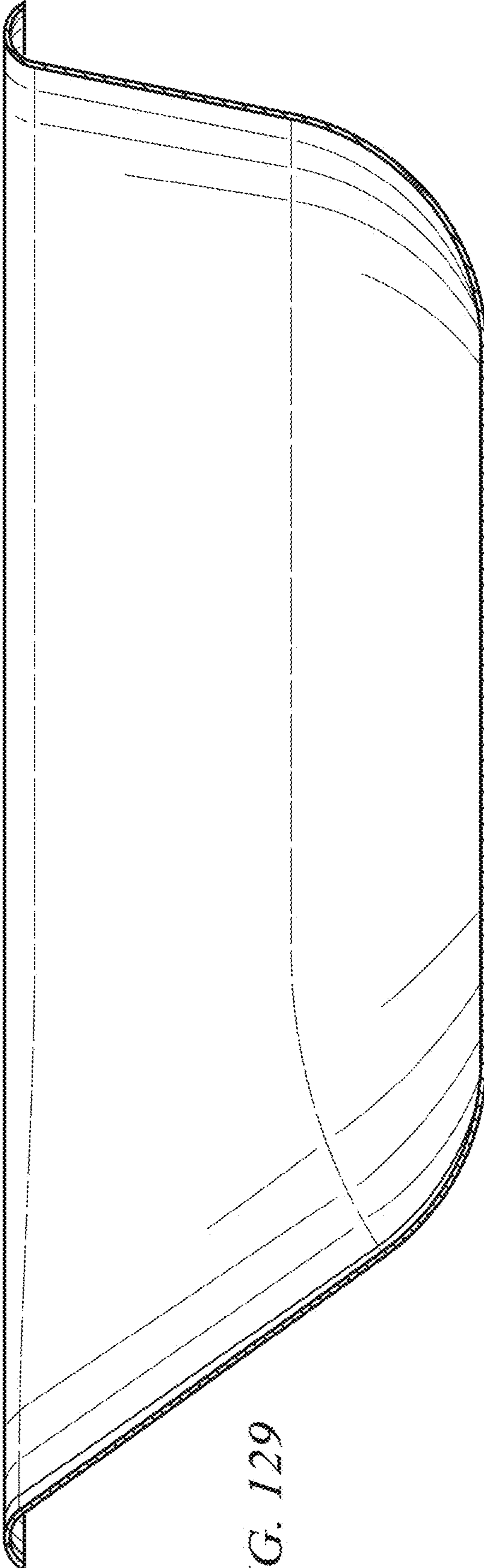


FIG. 129

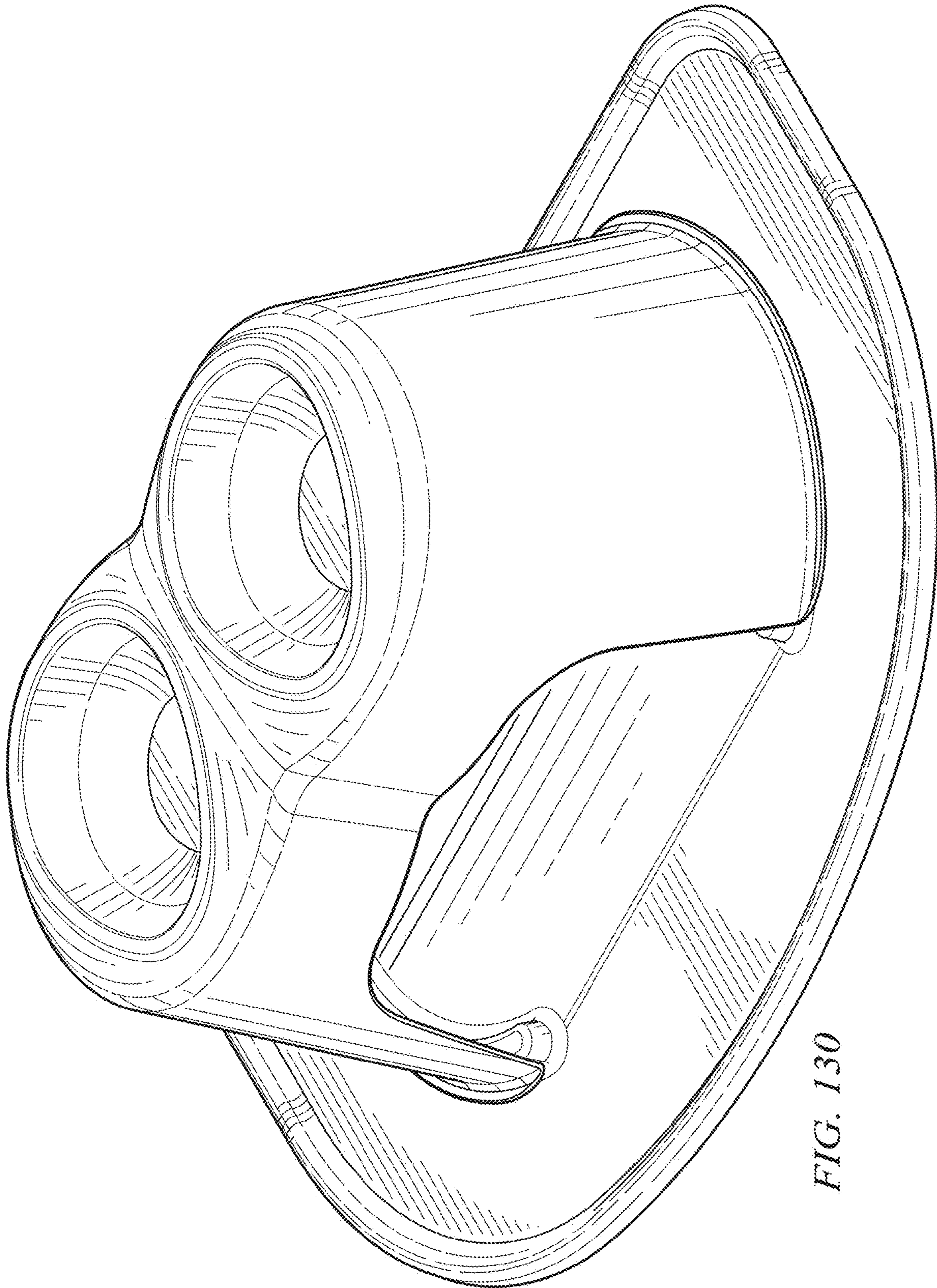


FIG. 130

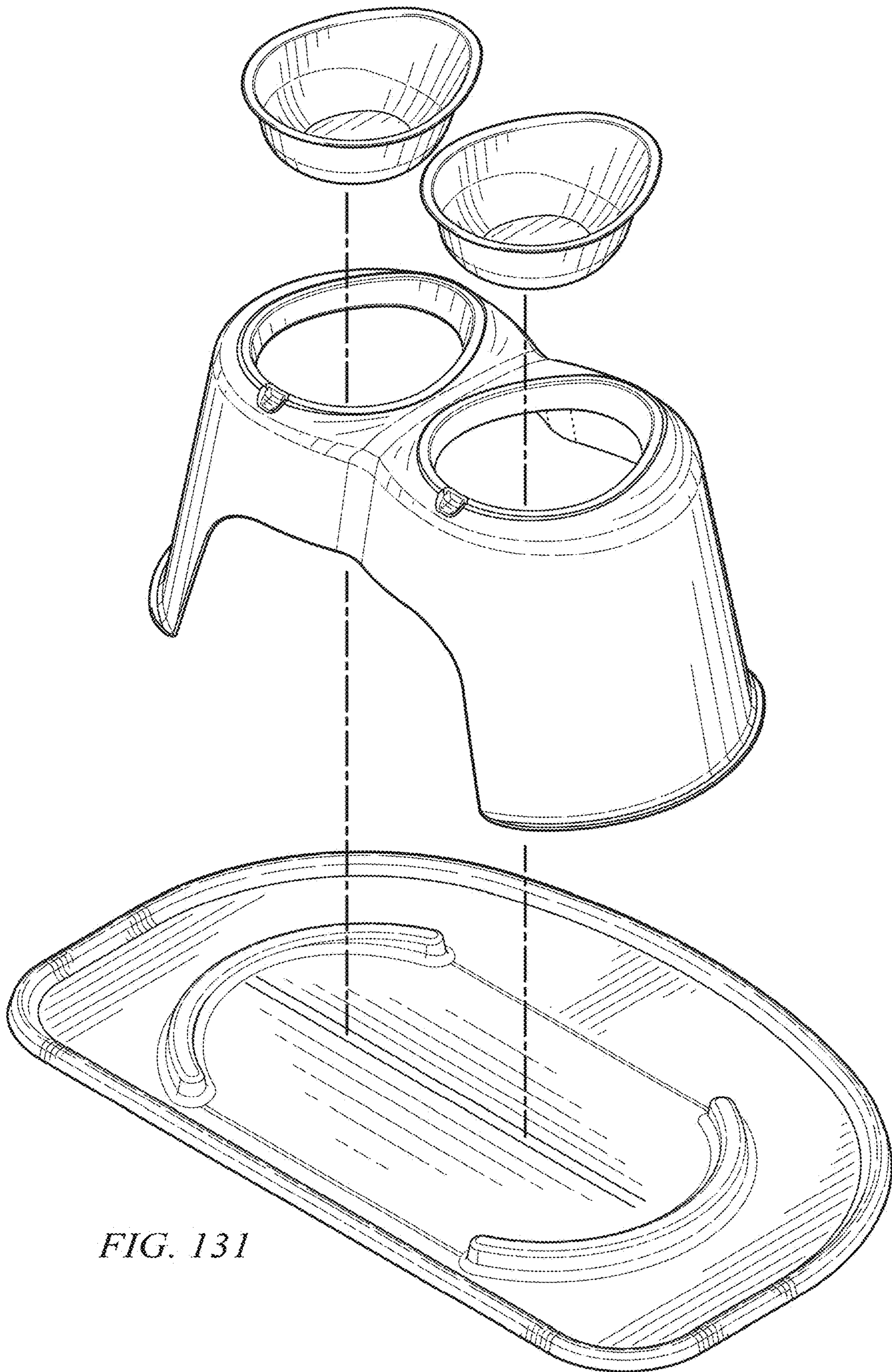


FIG. 131

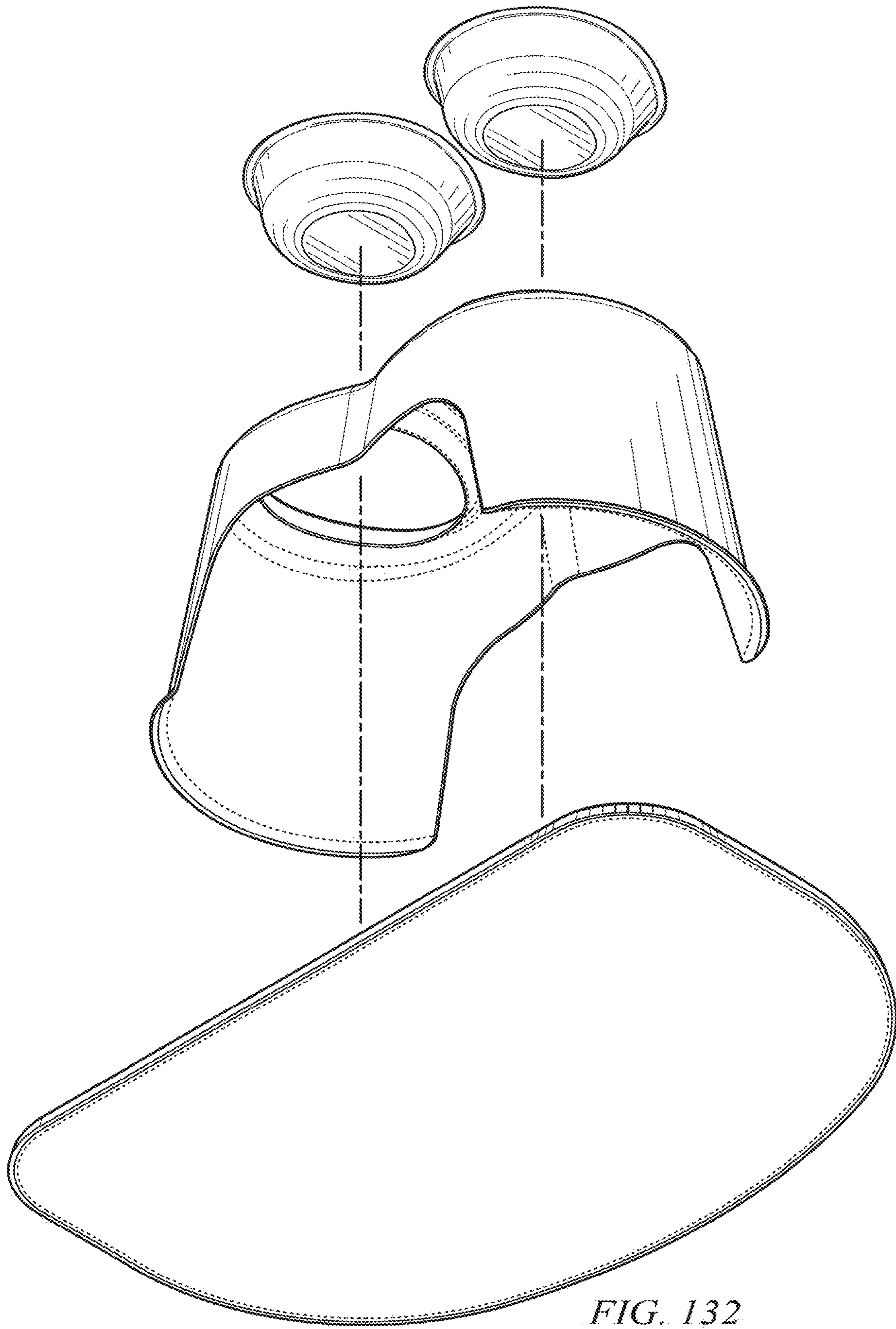


FIG. 132

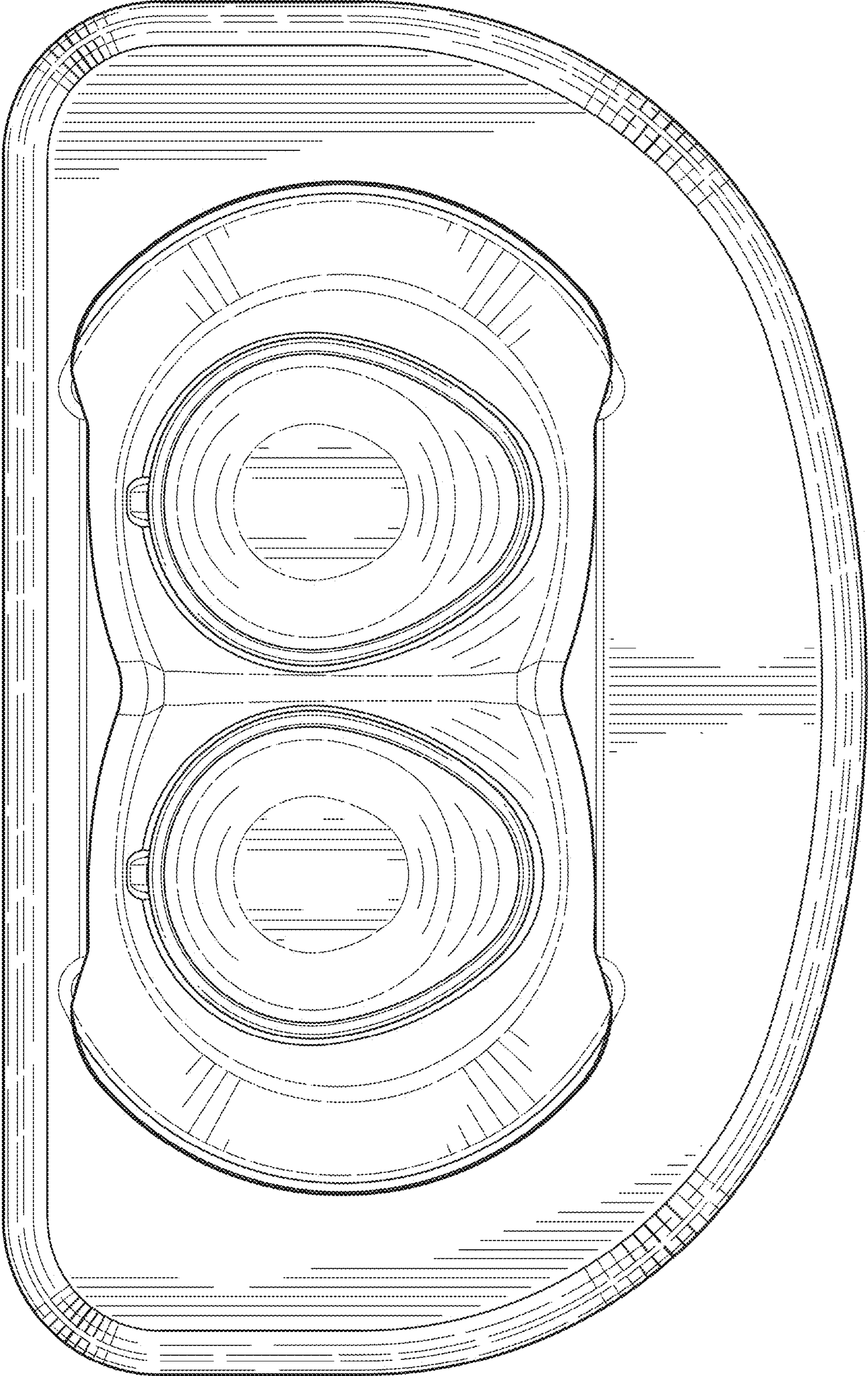


FIG. 133

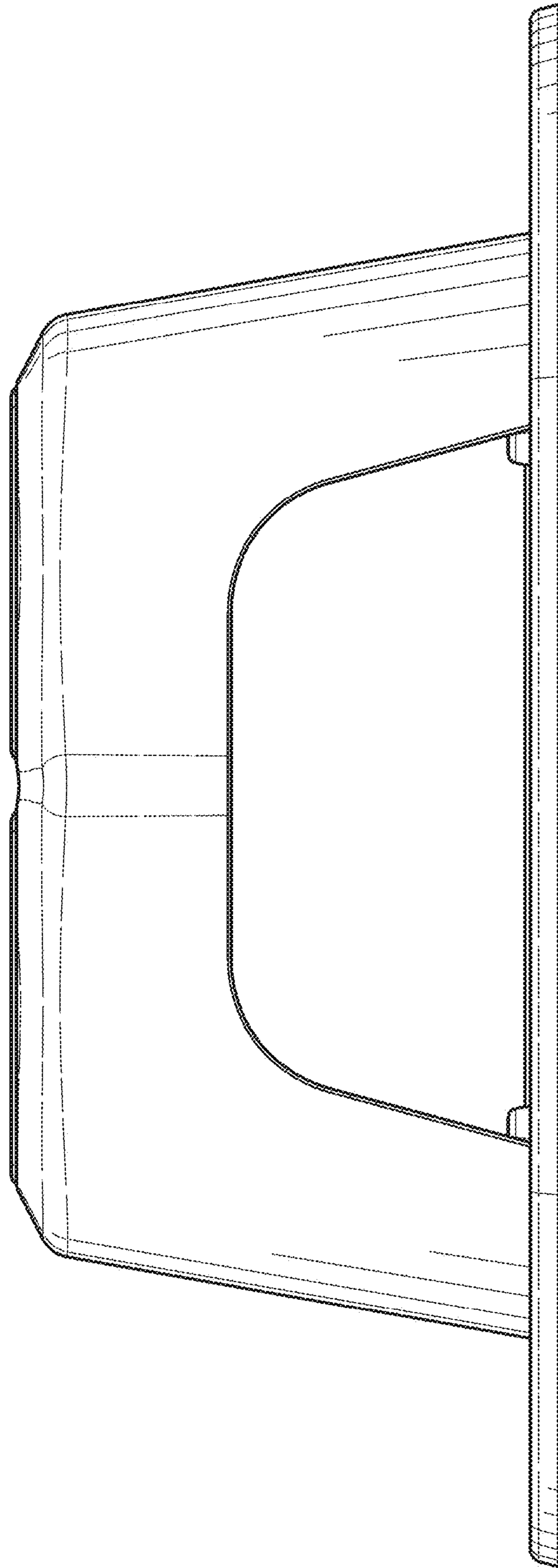


FIG. 134

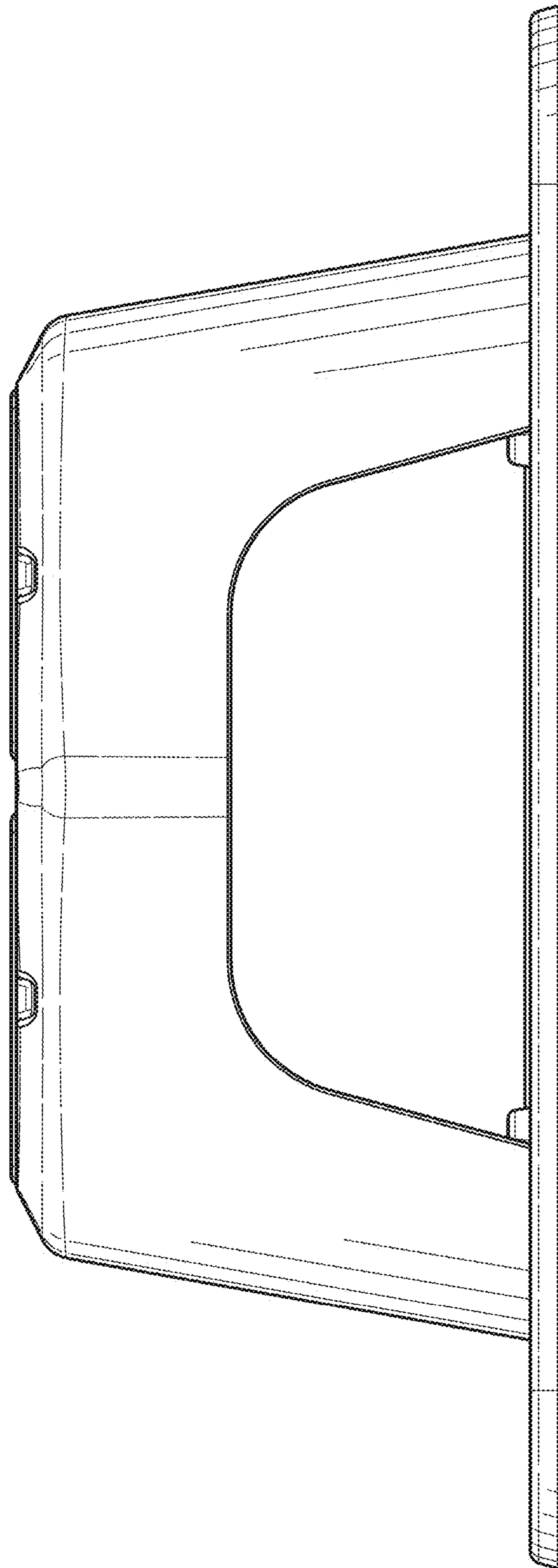


FIG. 135

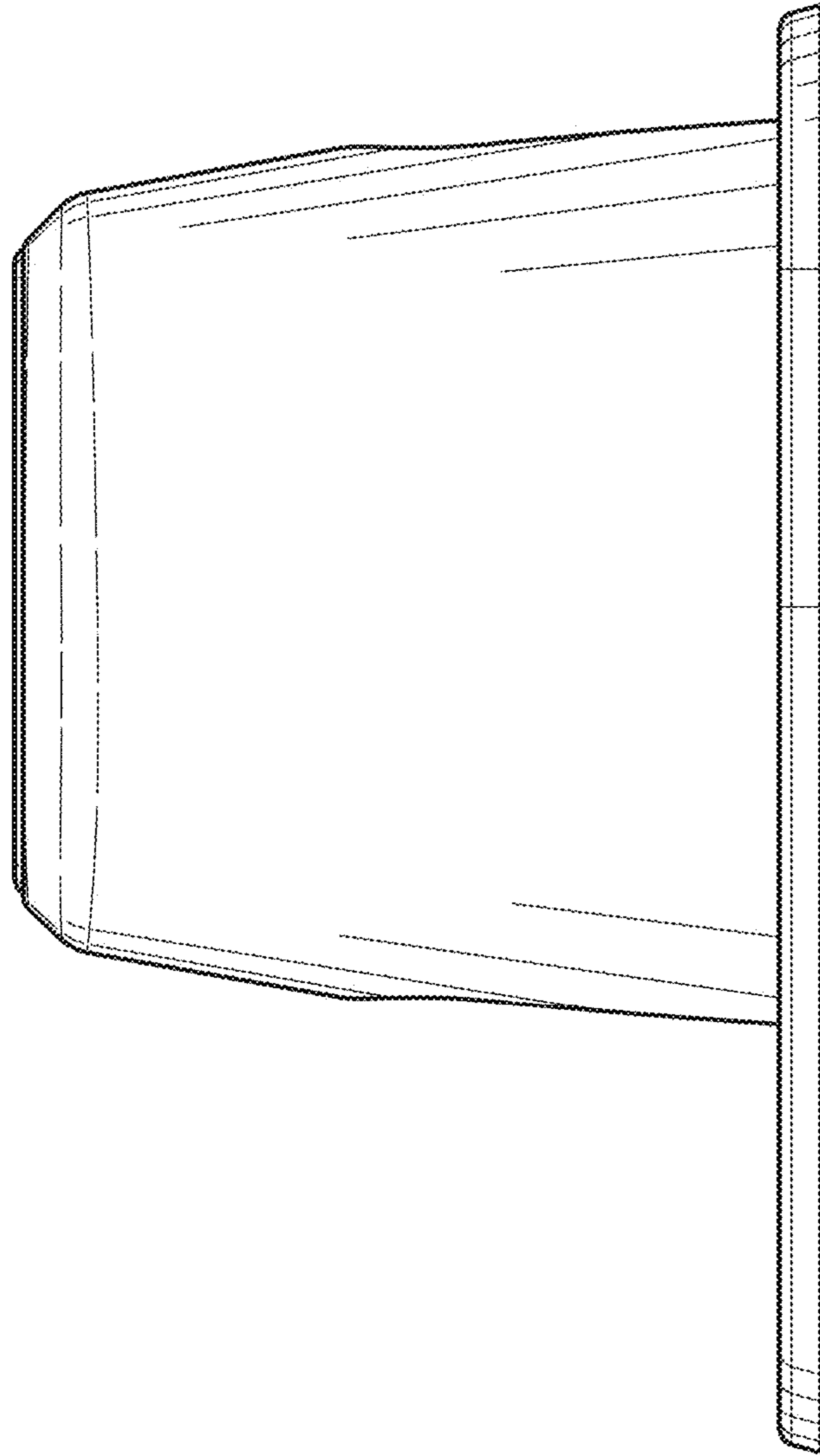


FIG. 136

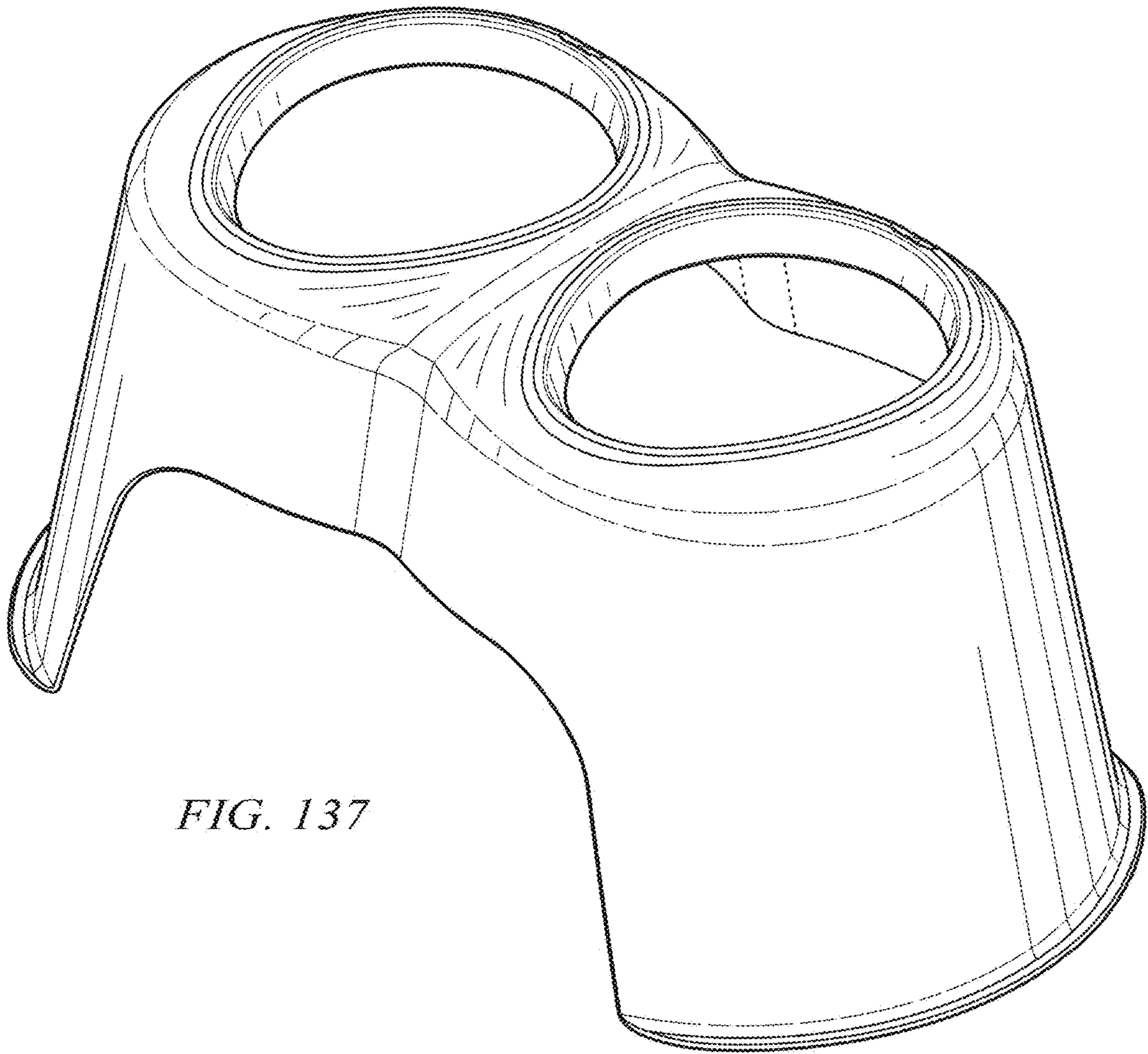


FIG. 137

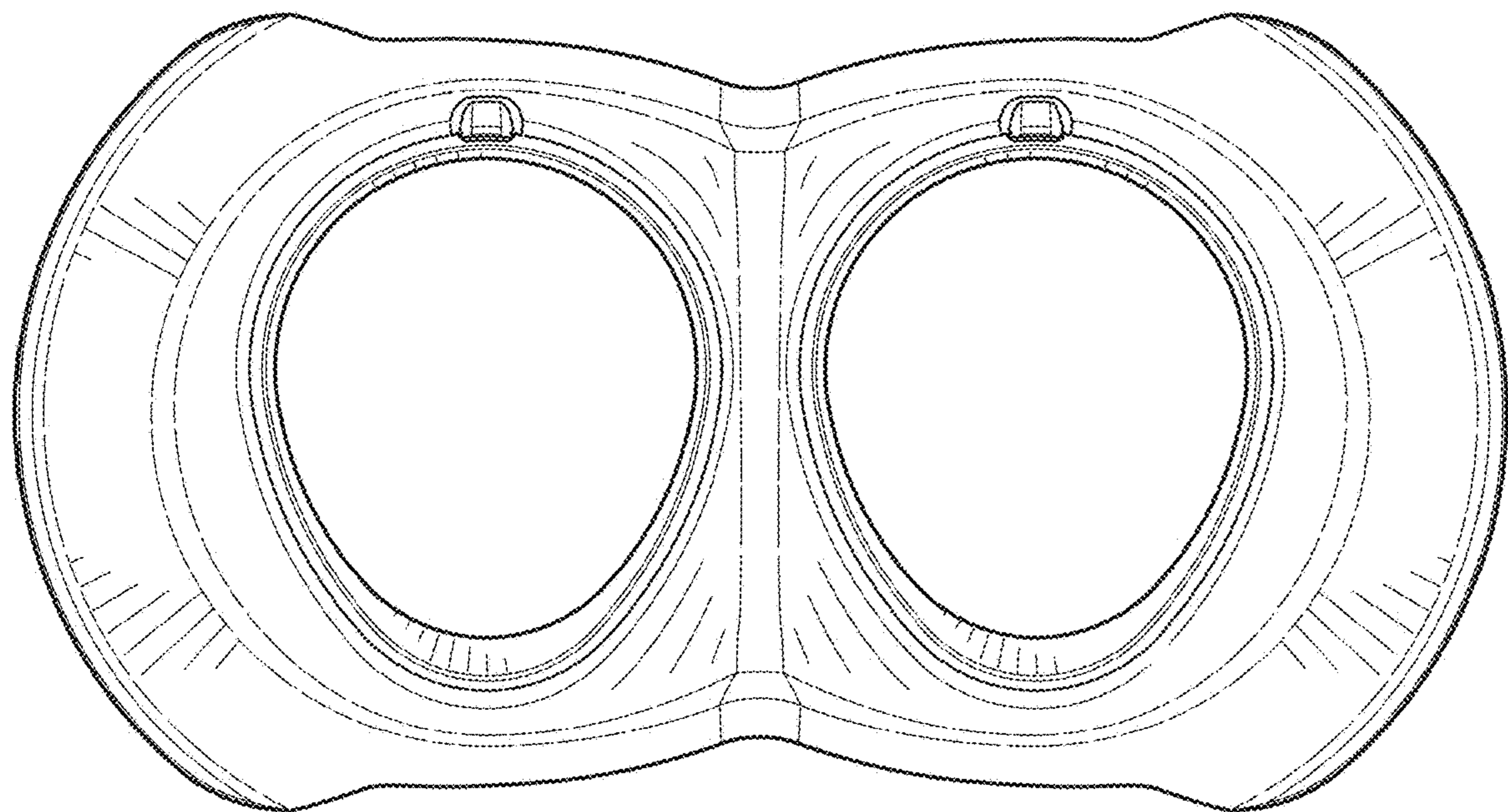


FIG. 138

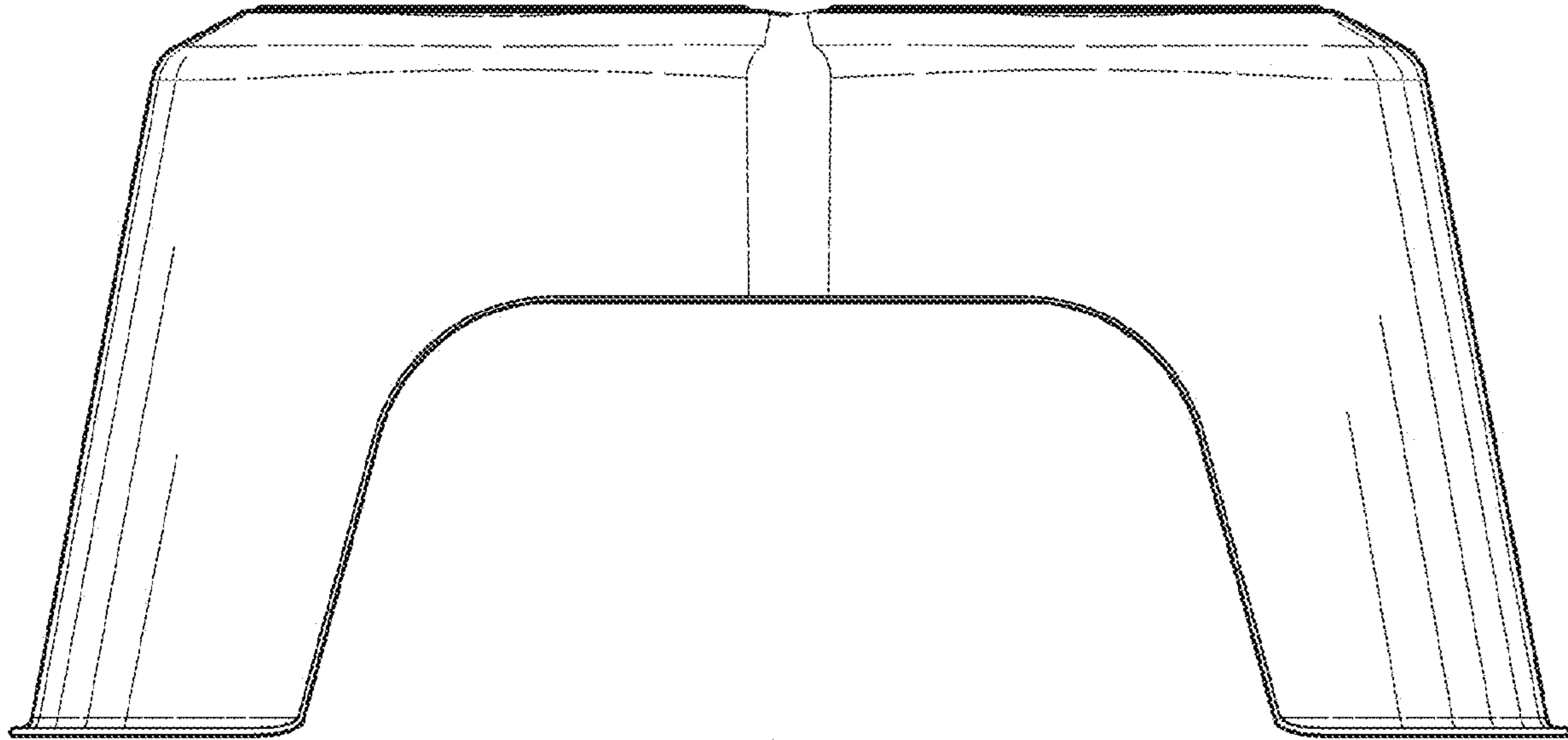


FIG. 139

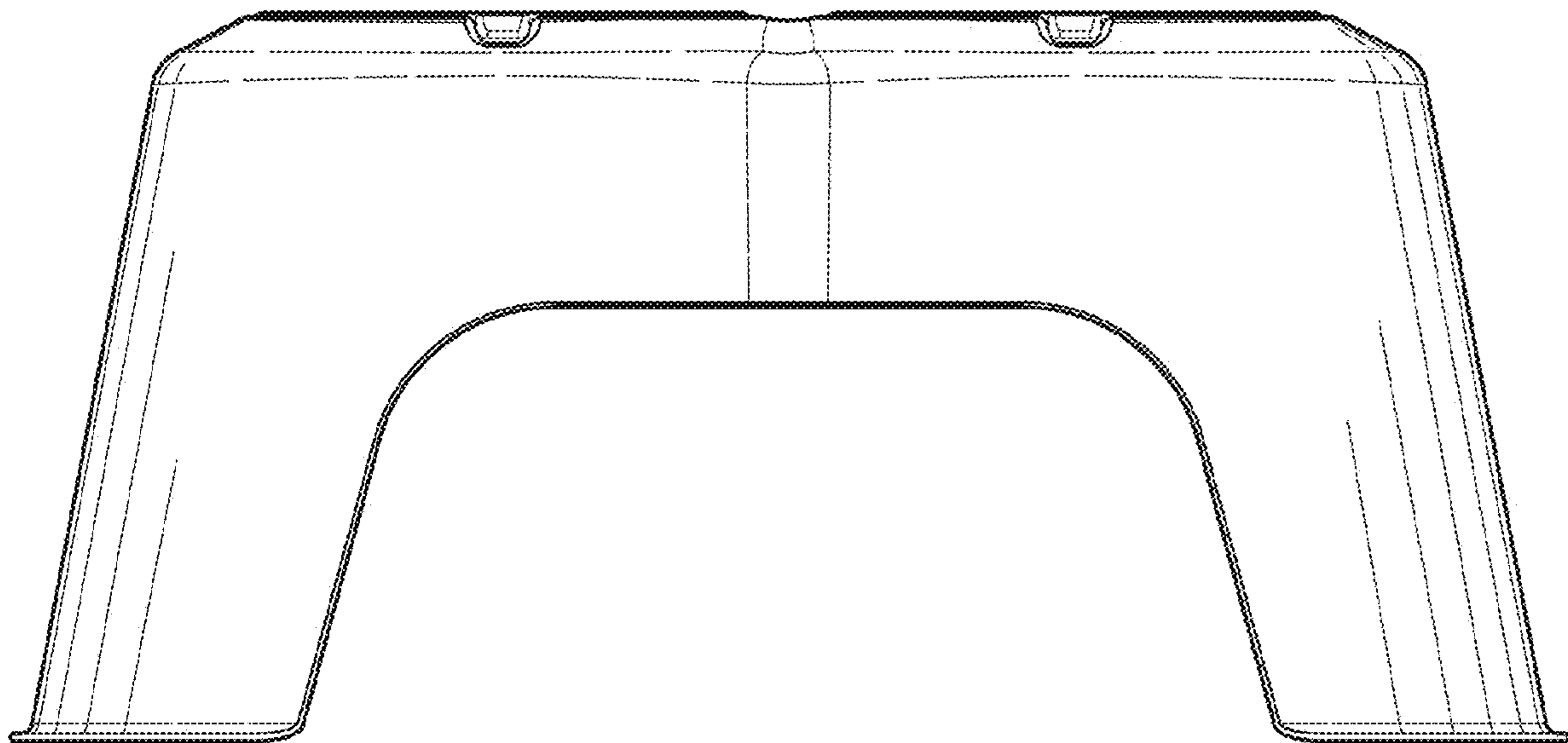


FIG. 140

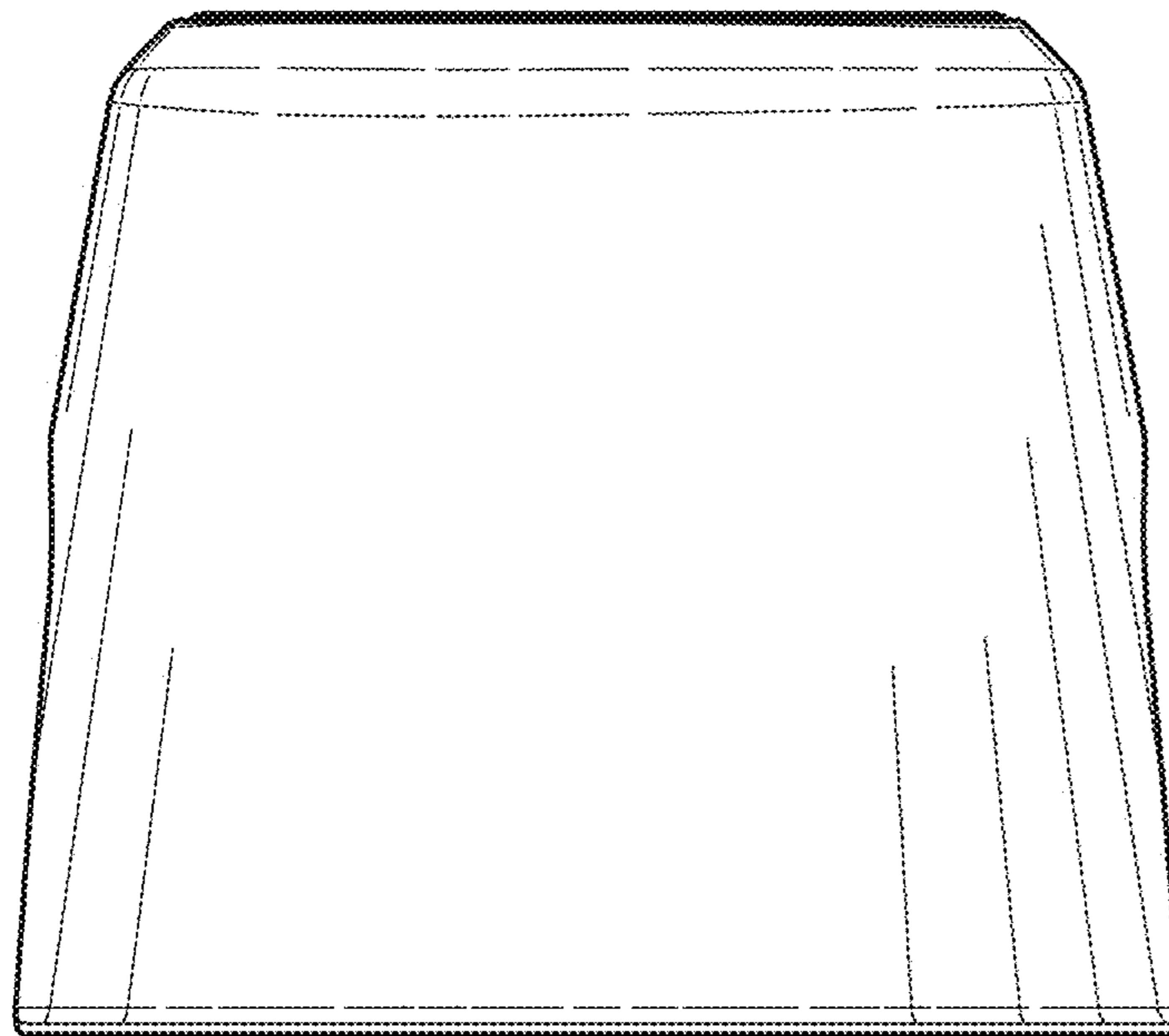


FIG. 141

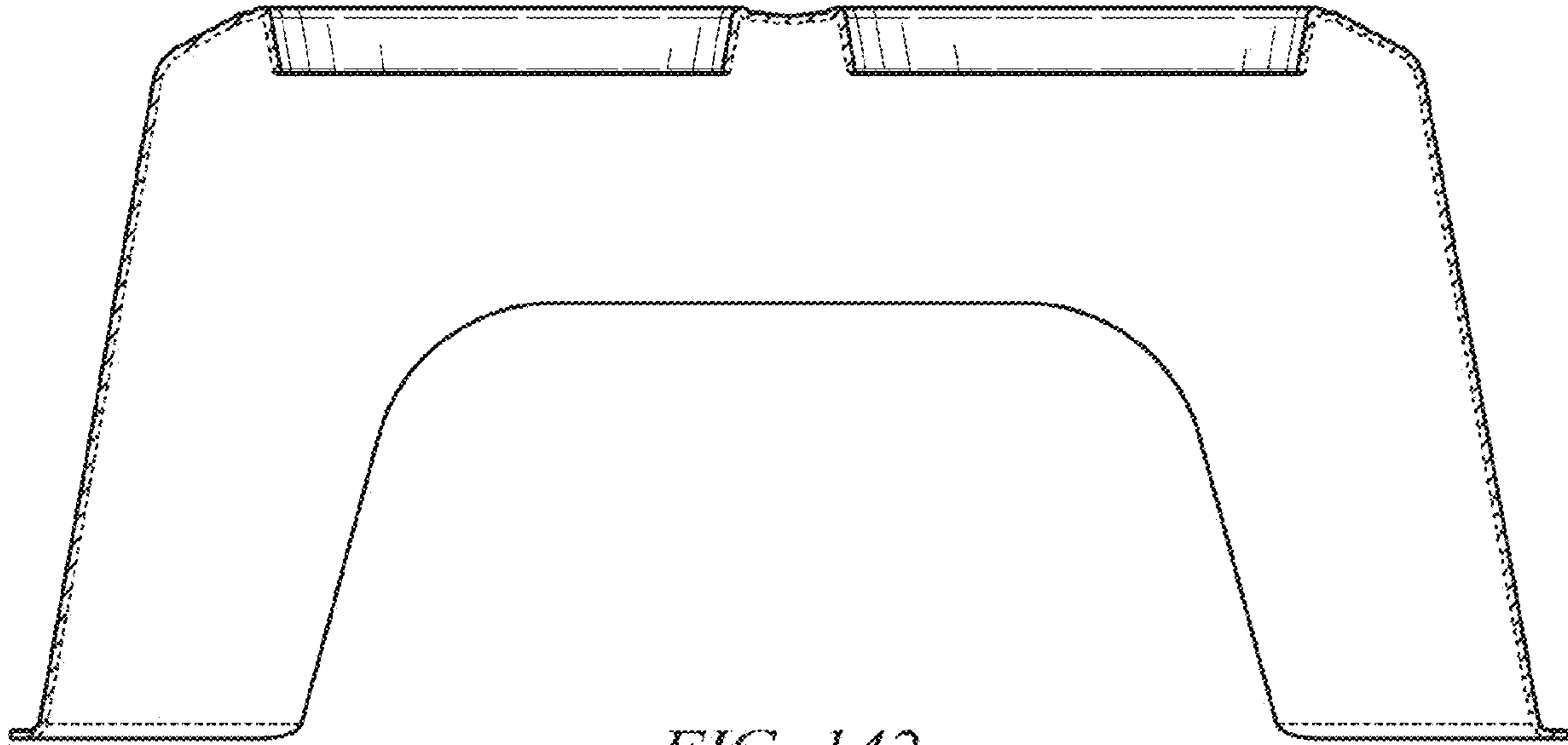


FIG. 142

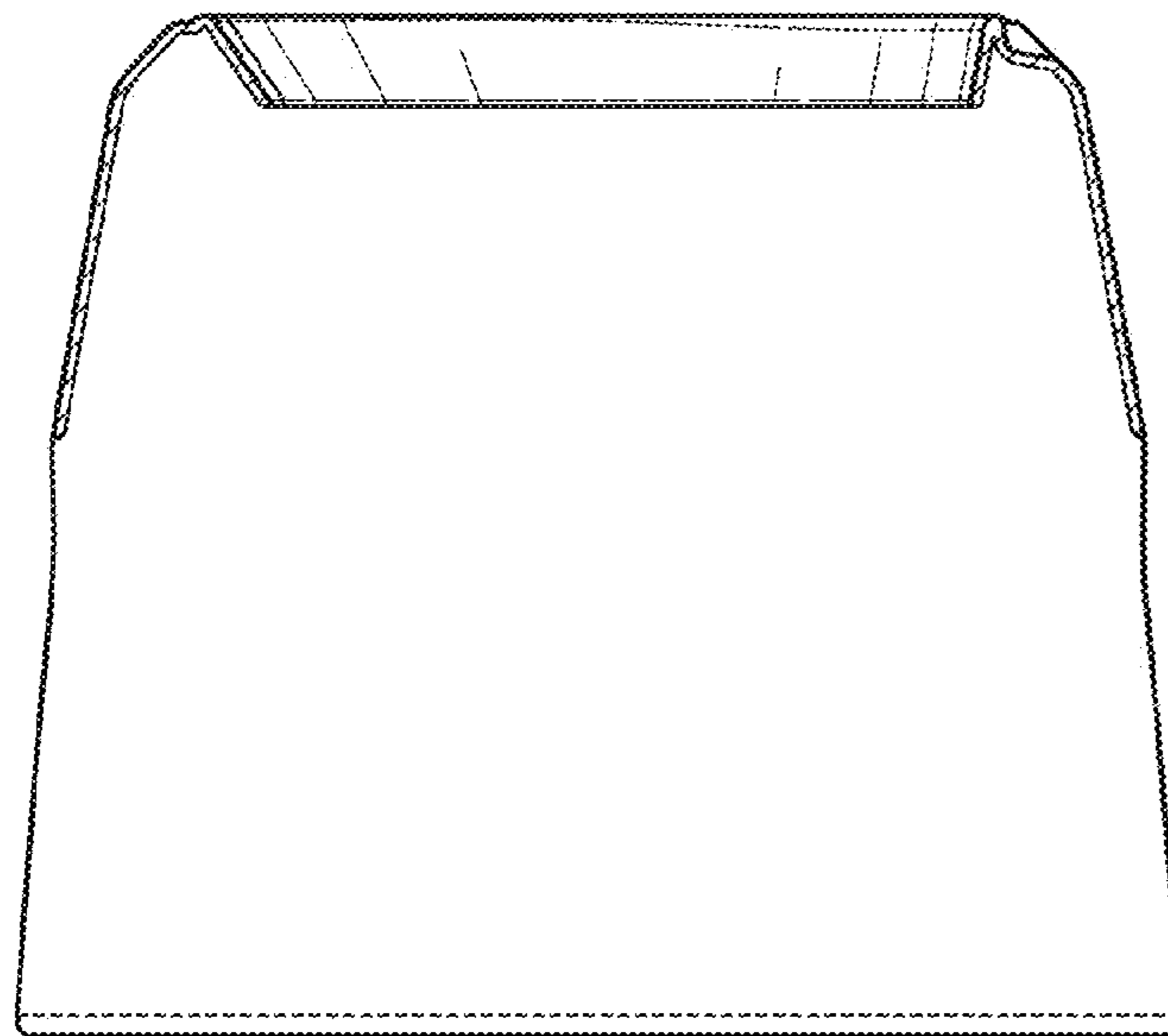


FIG. 143

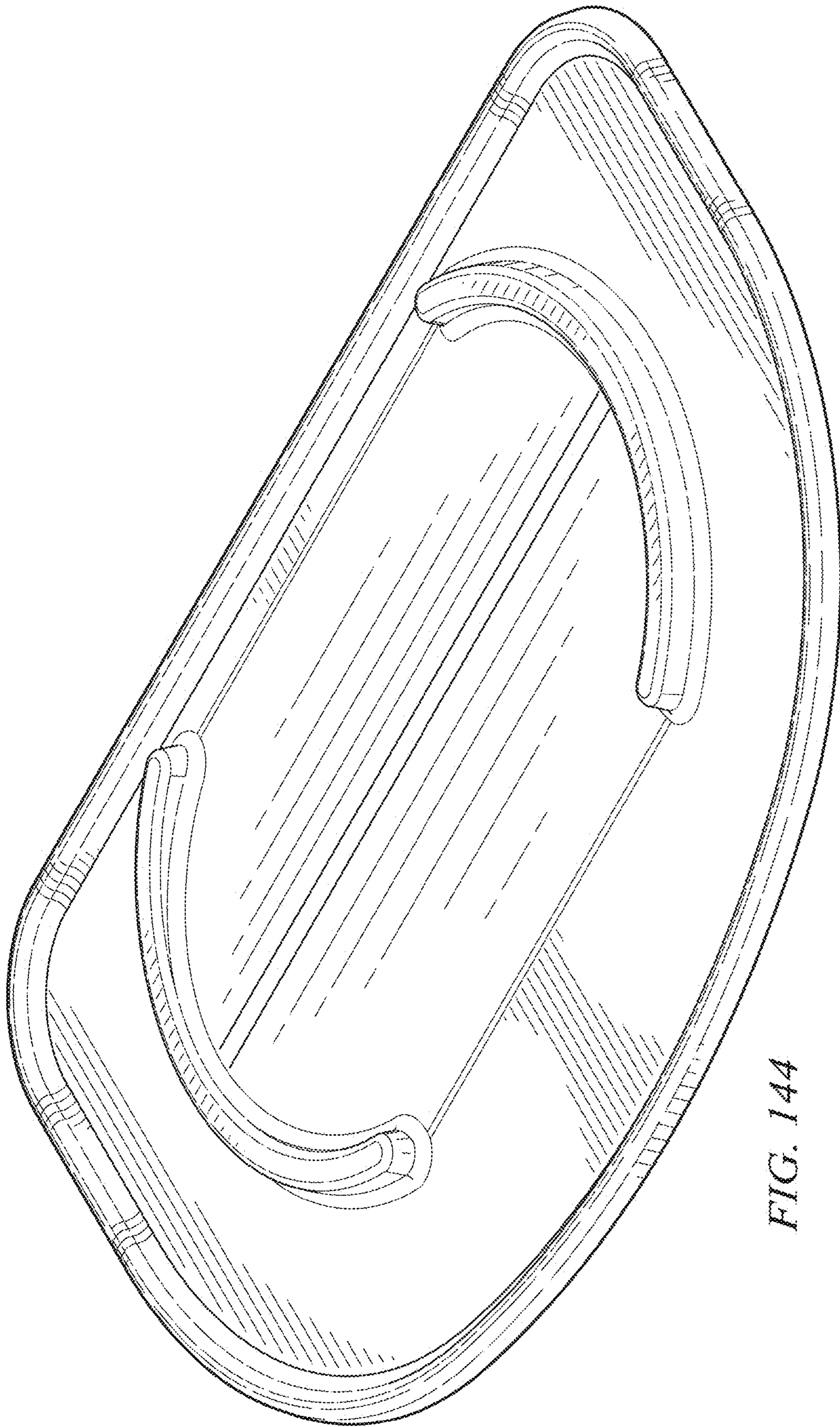


FIG. 144

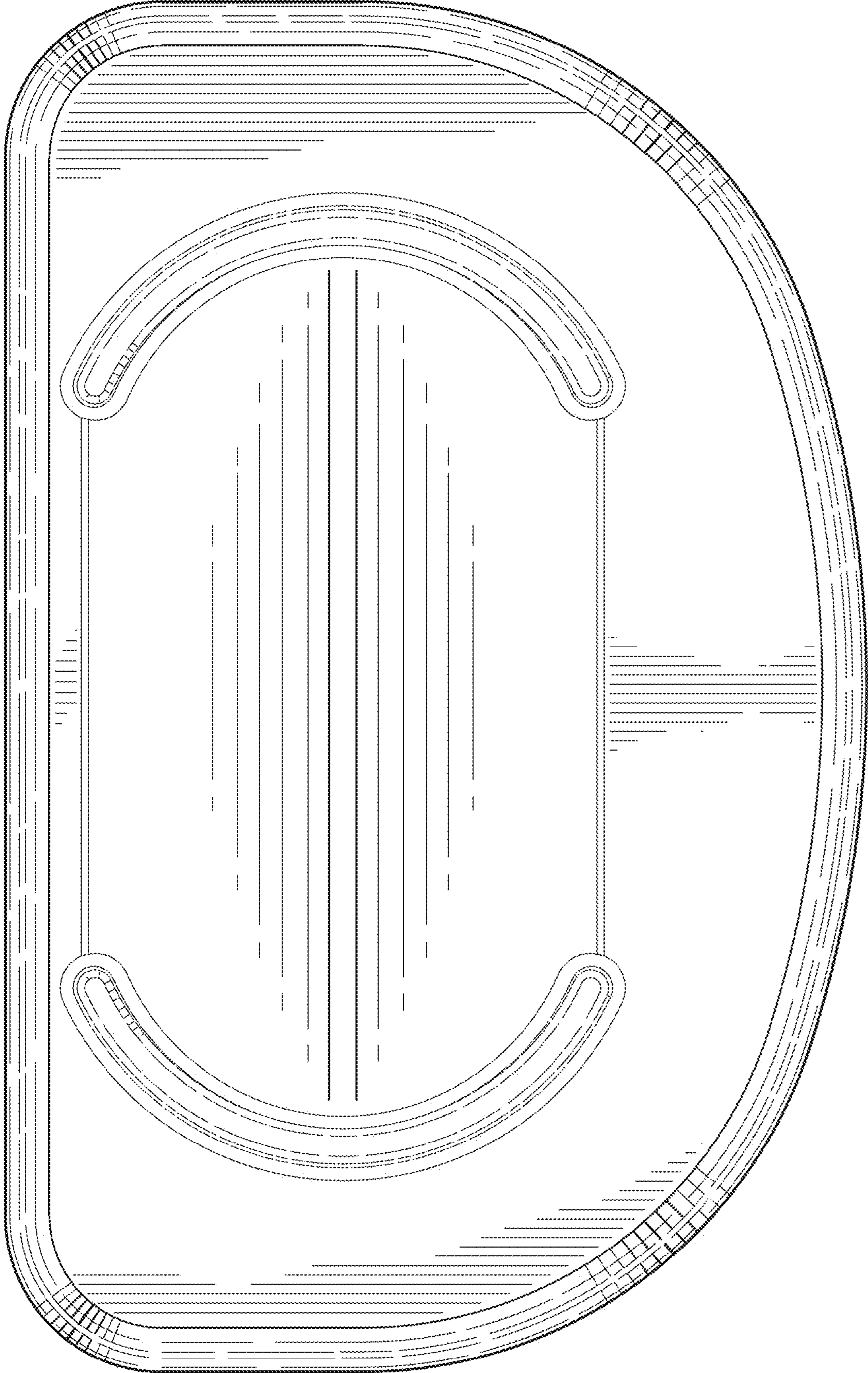


FIG. 145

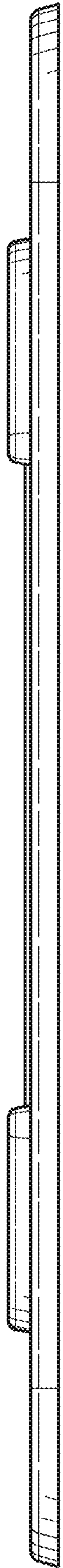


FIG. 146

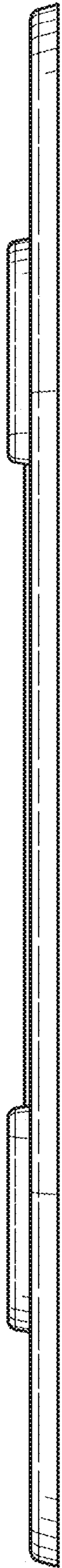


FIG. 147

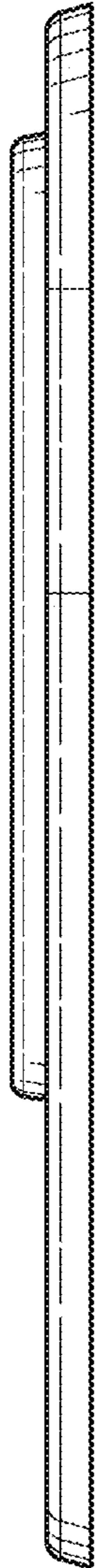


FIG. 148

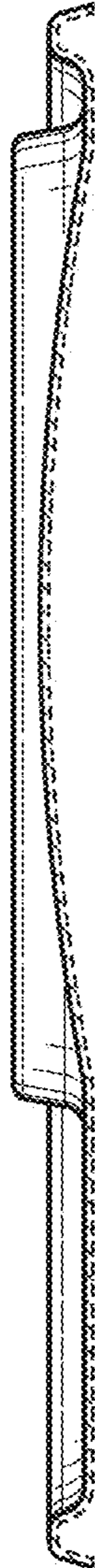


FIG. 149

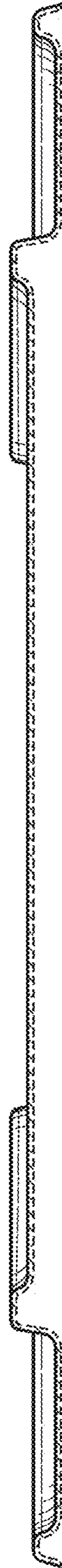


FIG. 150

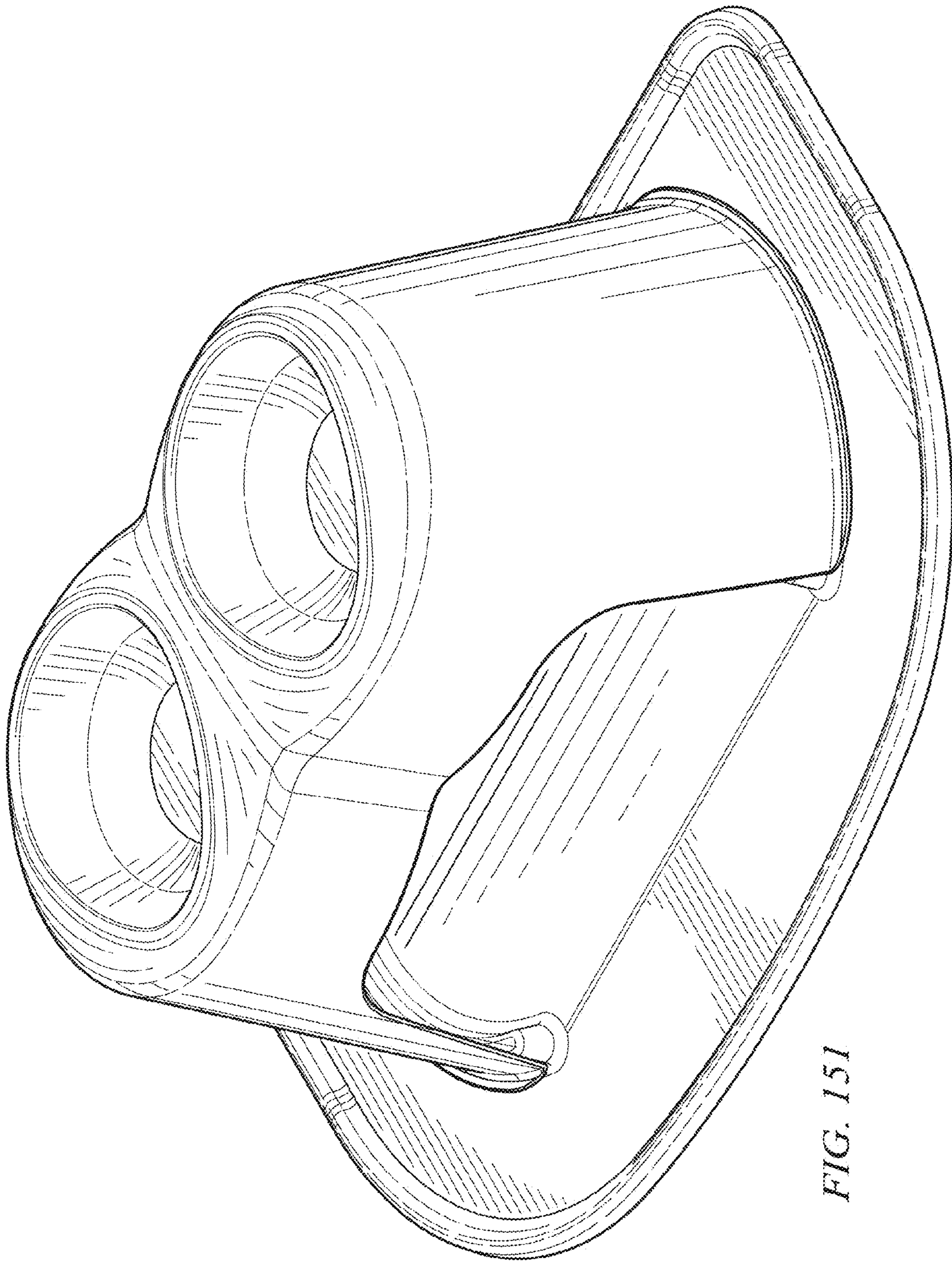


FIG. 151

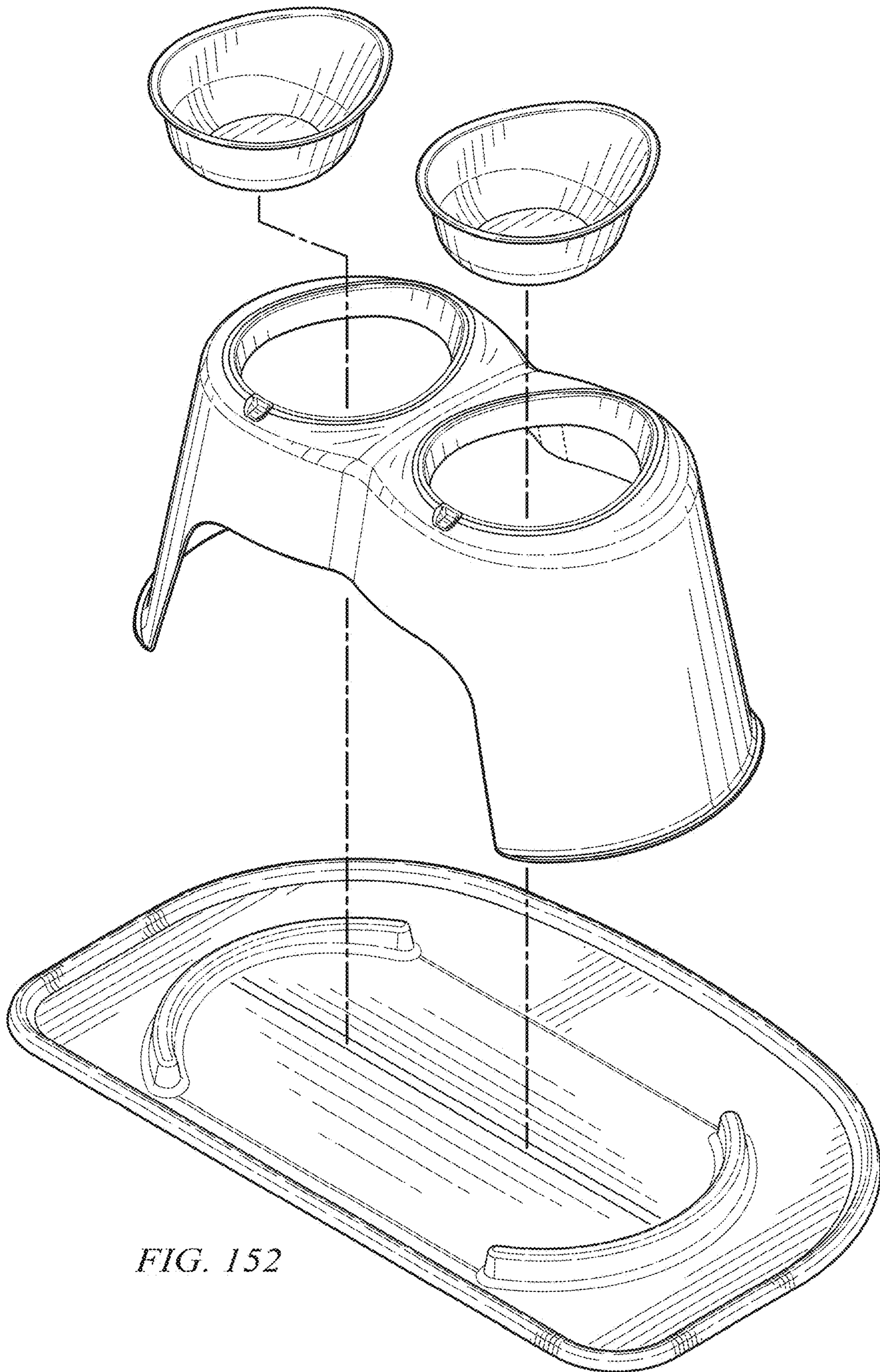


FIG. 152

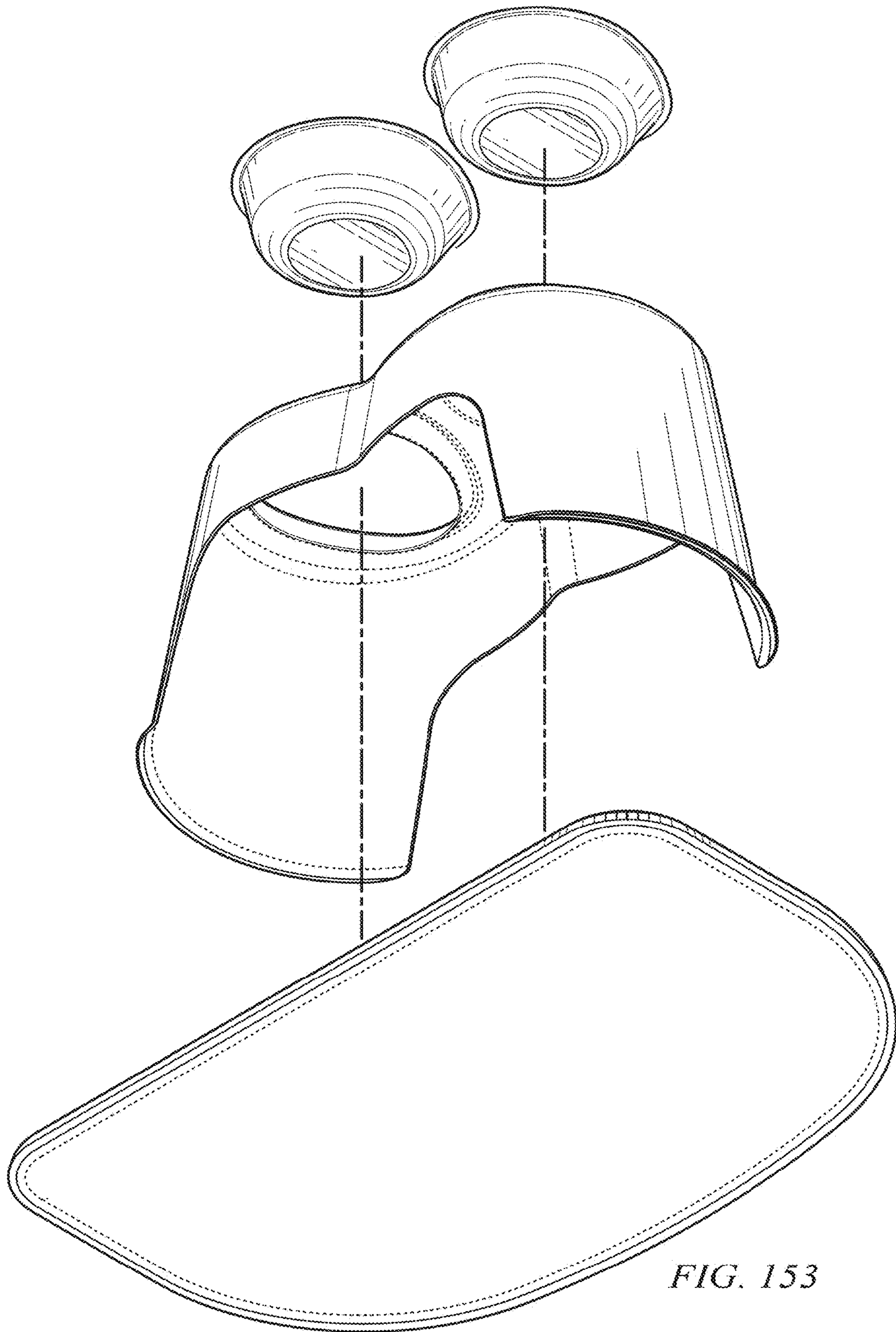


FIG. 153

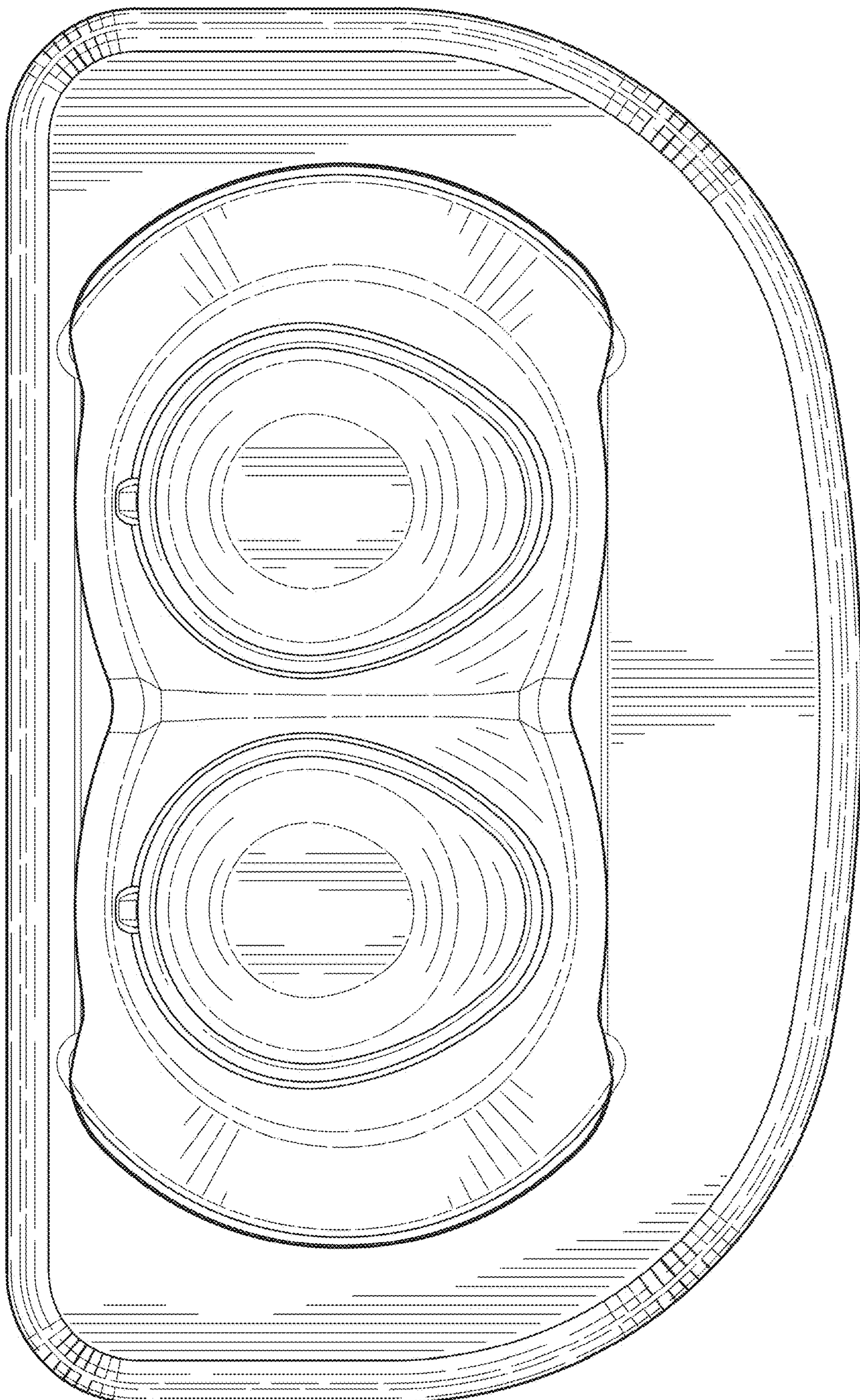


FIG. 154

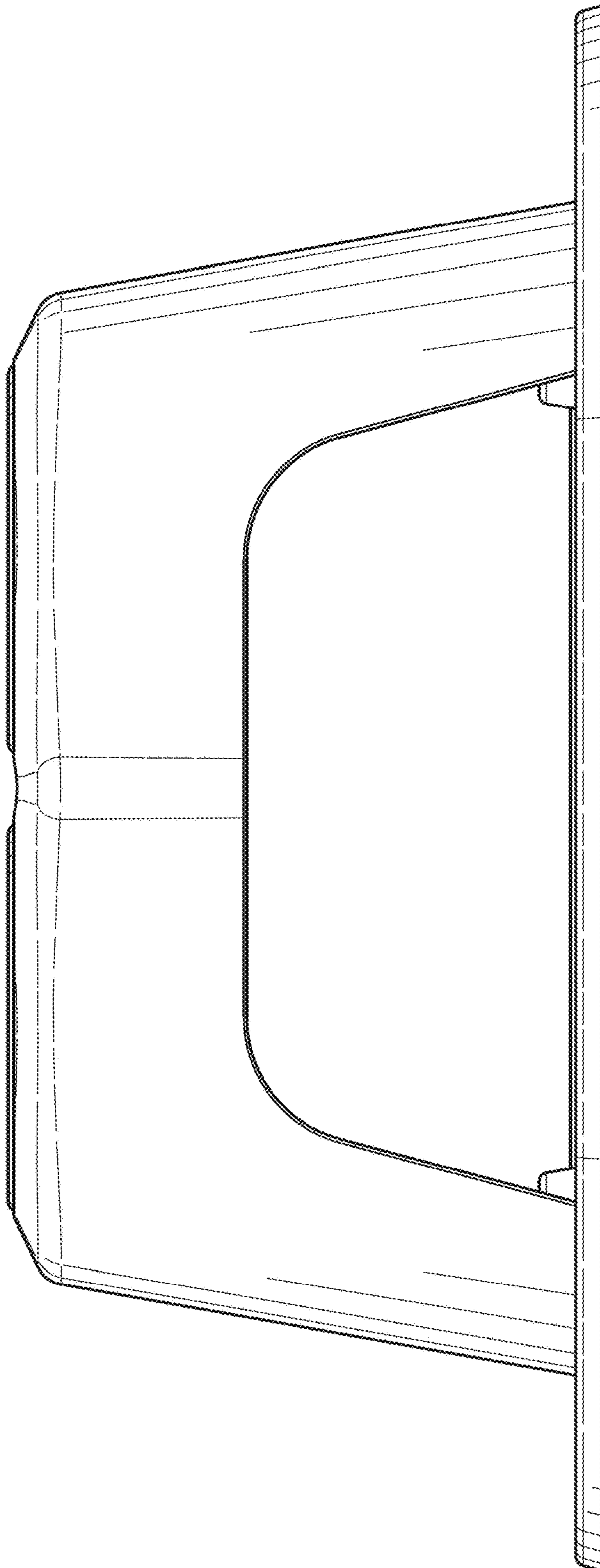


FIG. 155

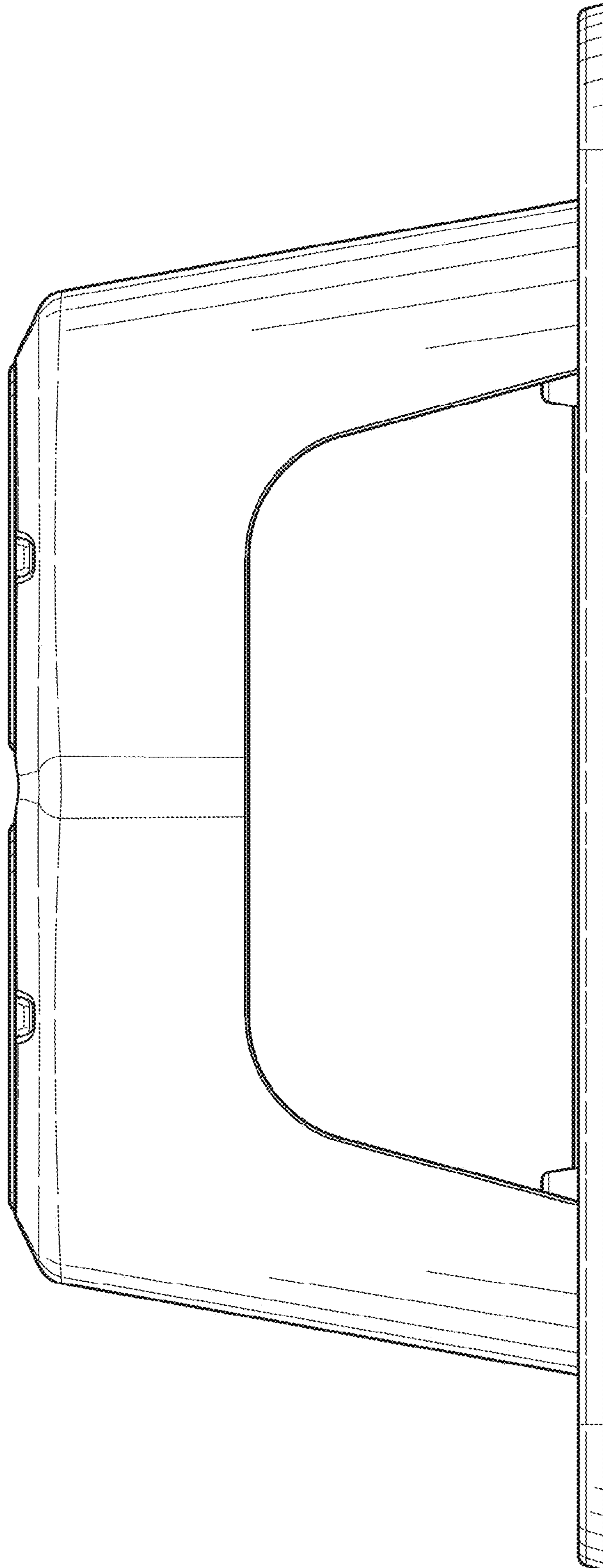


FIG. 156

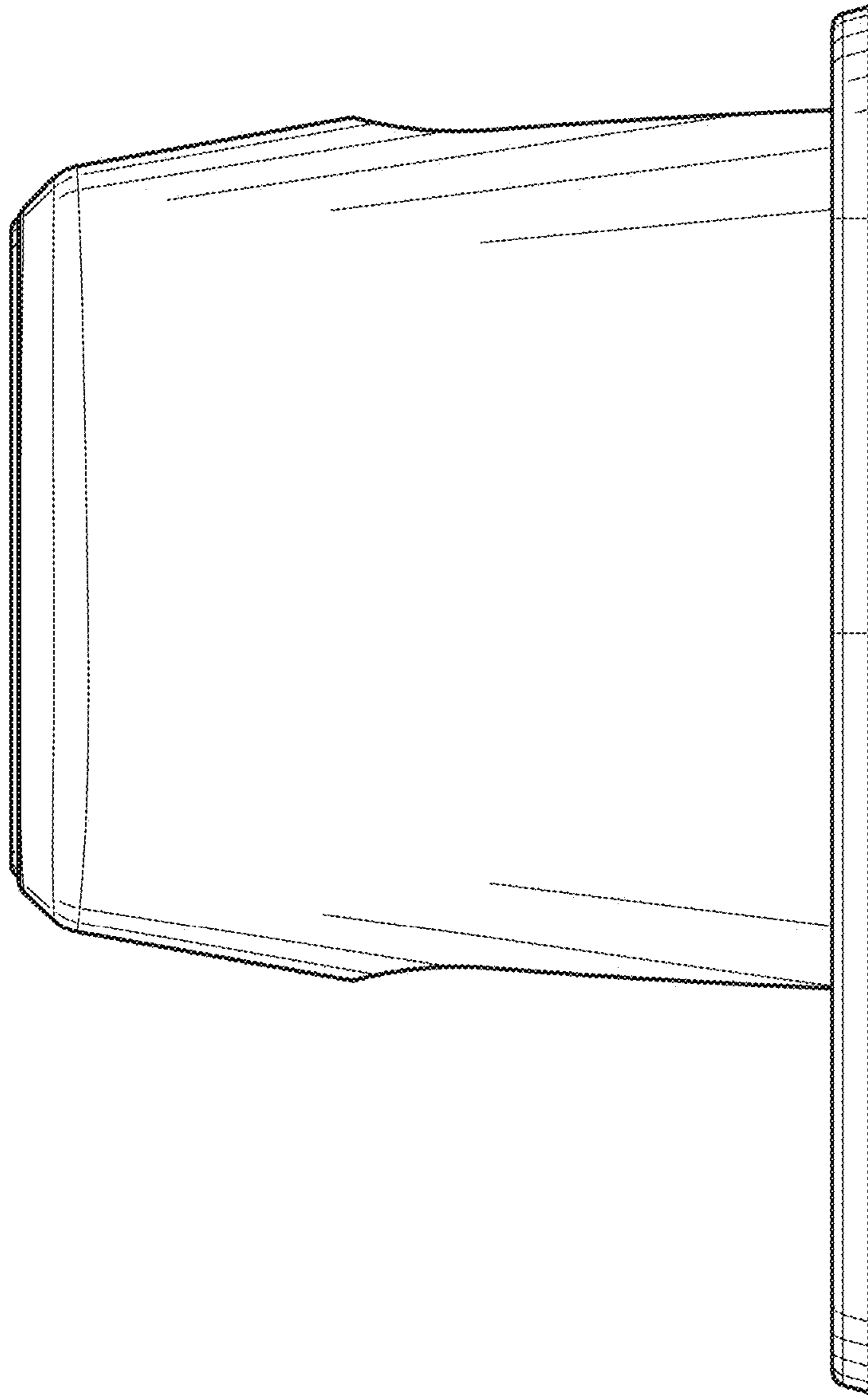


FIG. 157

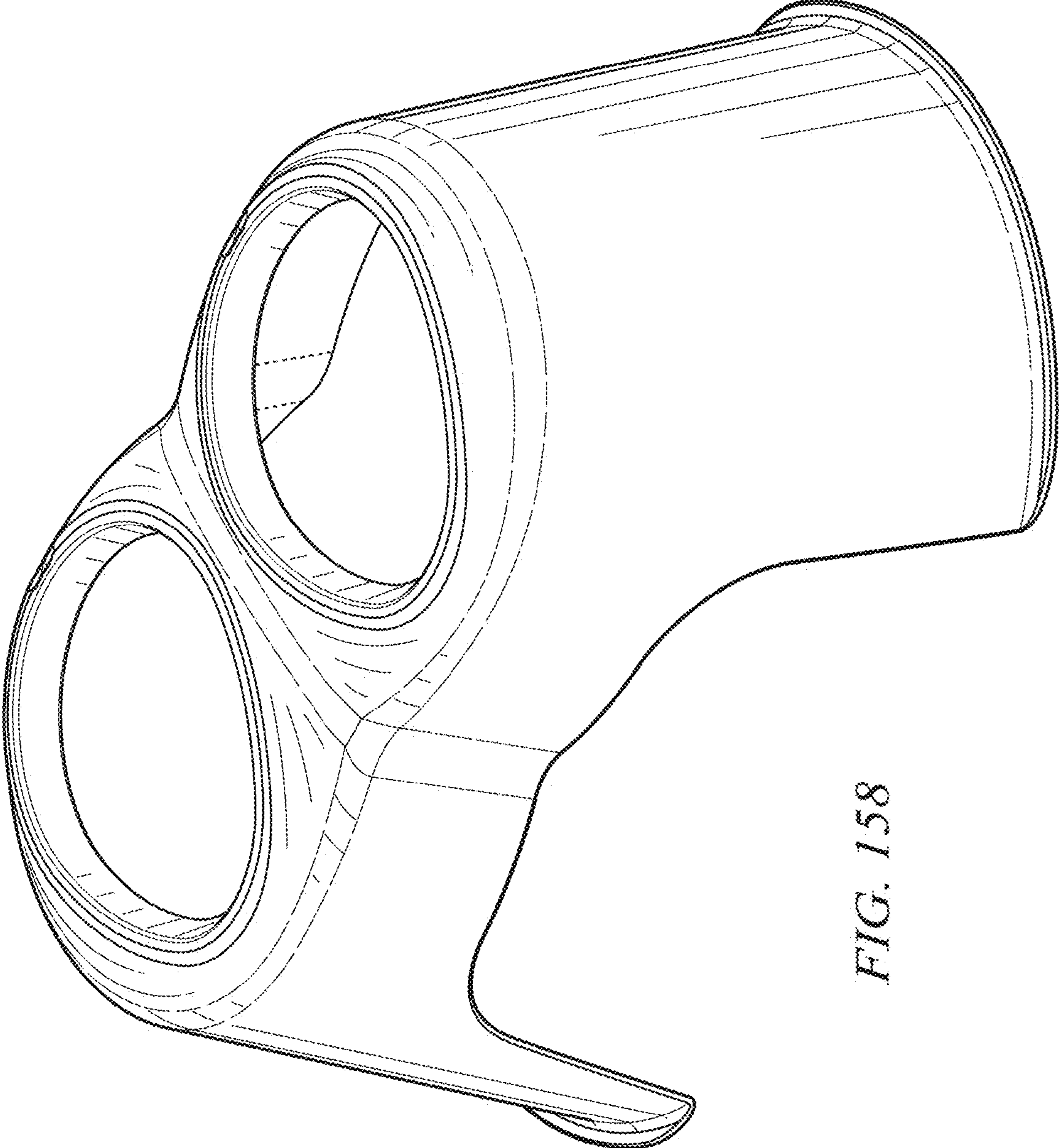


FIG. 158

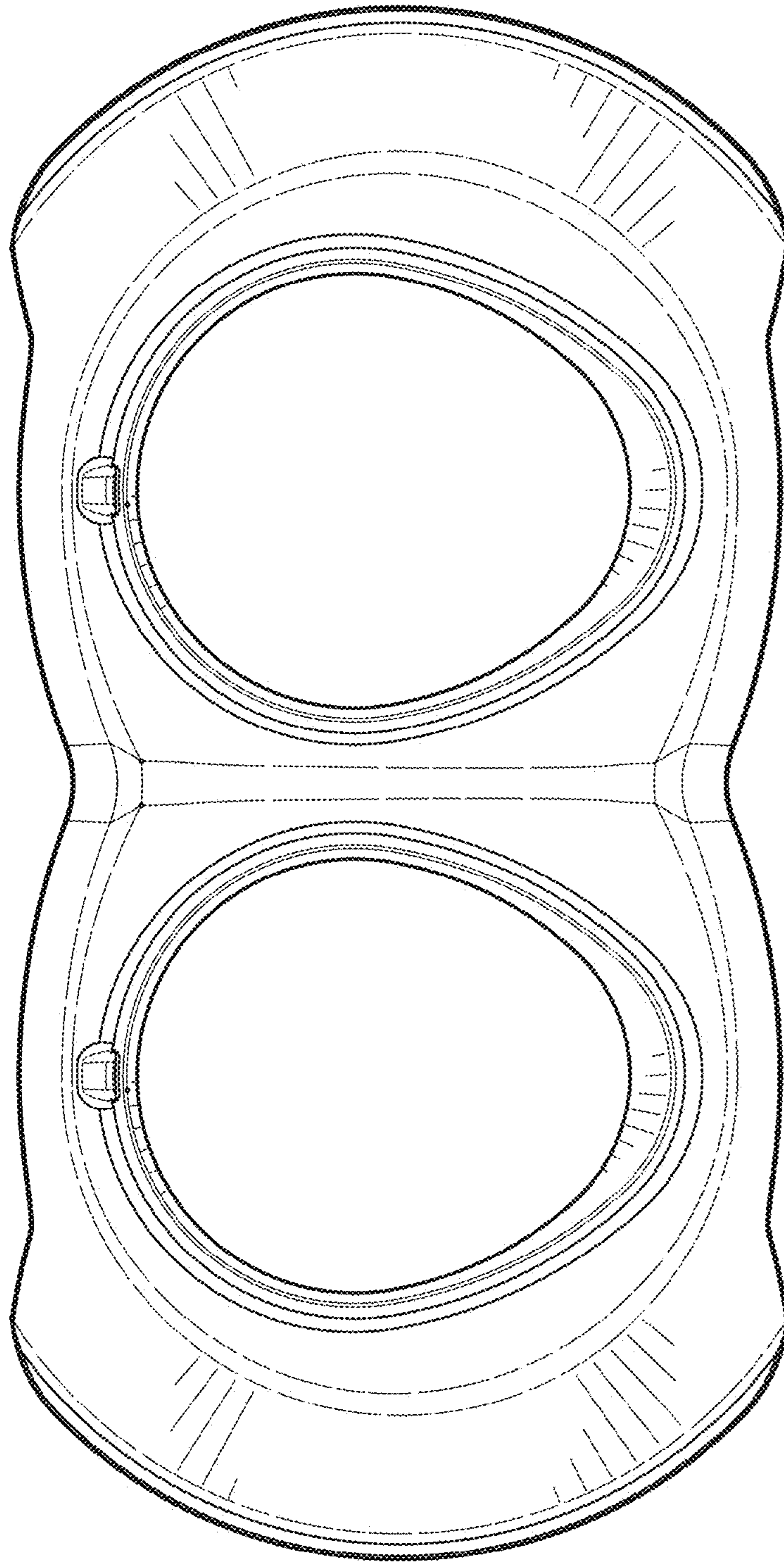


FIG. 159

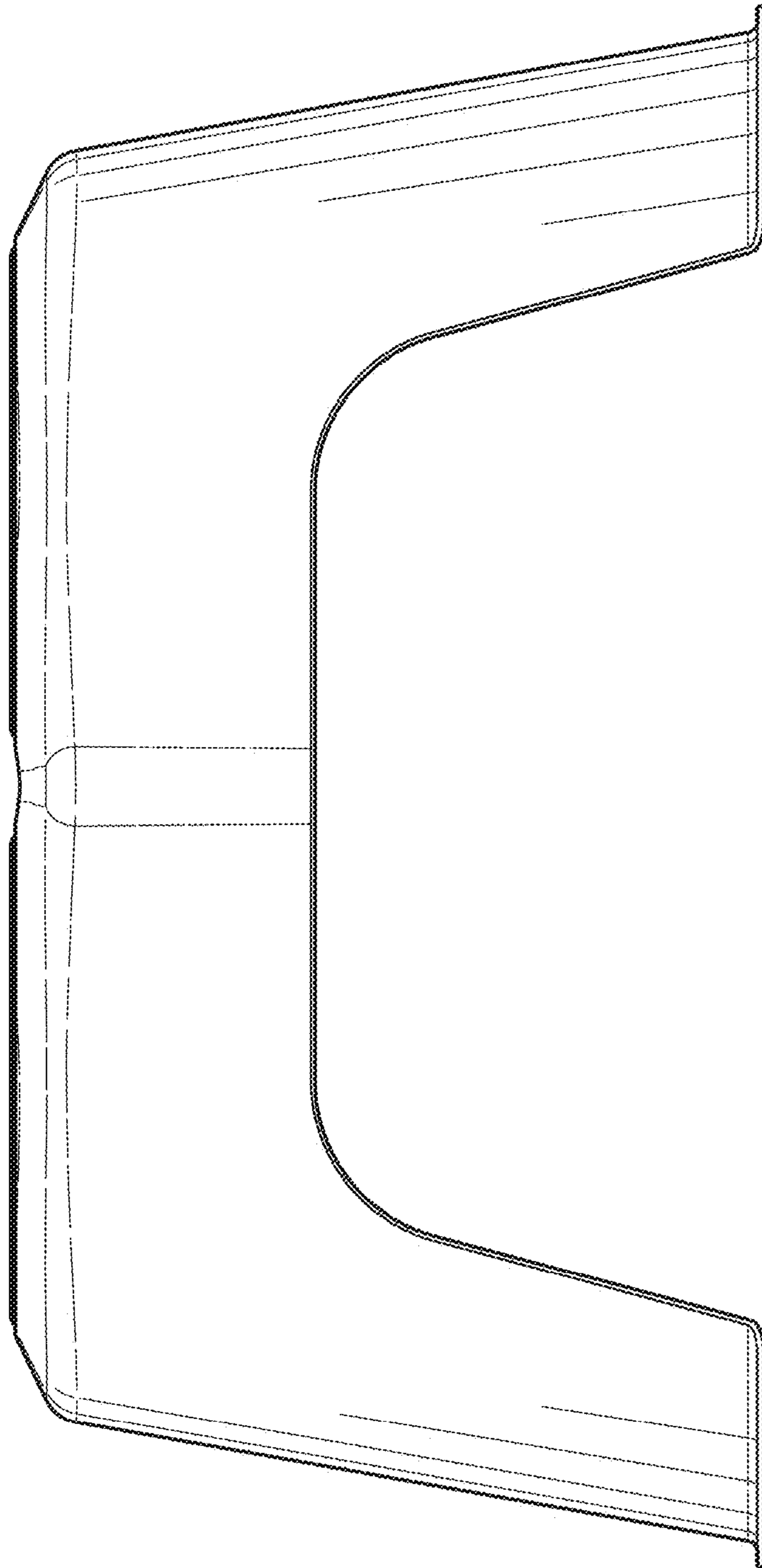


FIG. 160

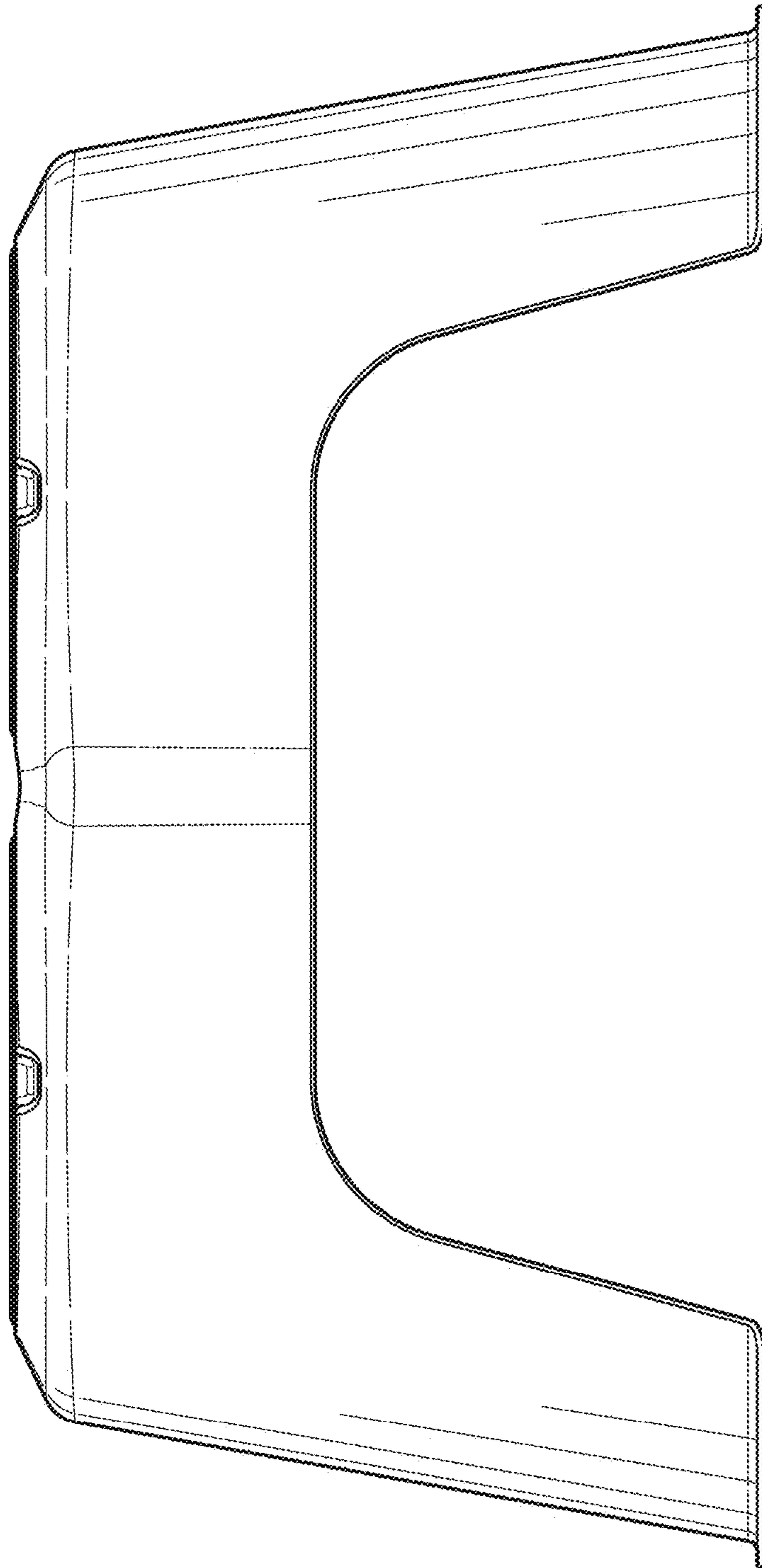


FIG. 161

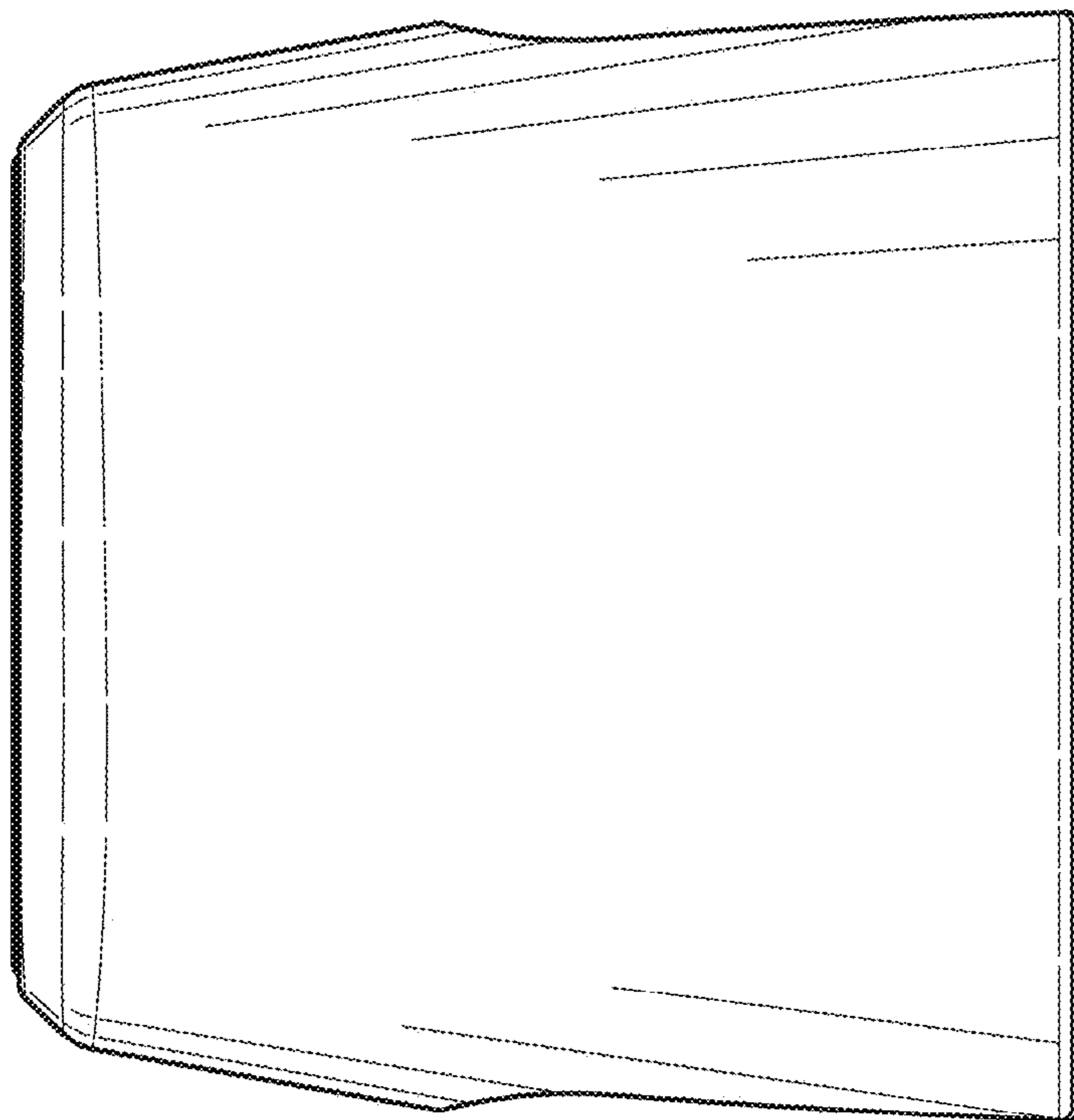


FIG. 162

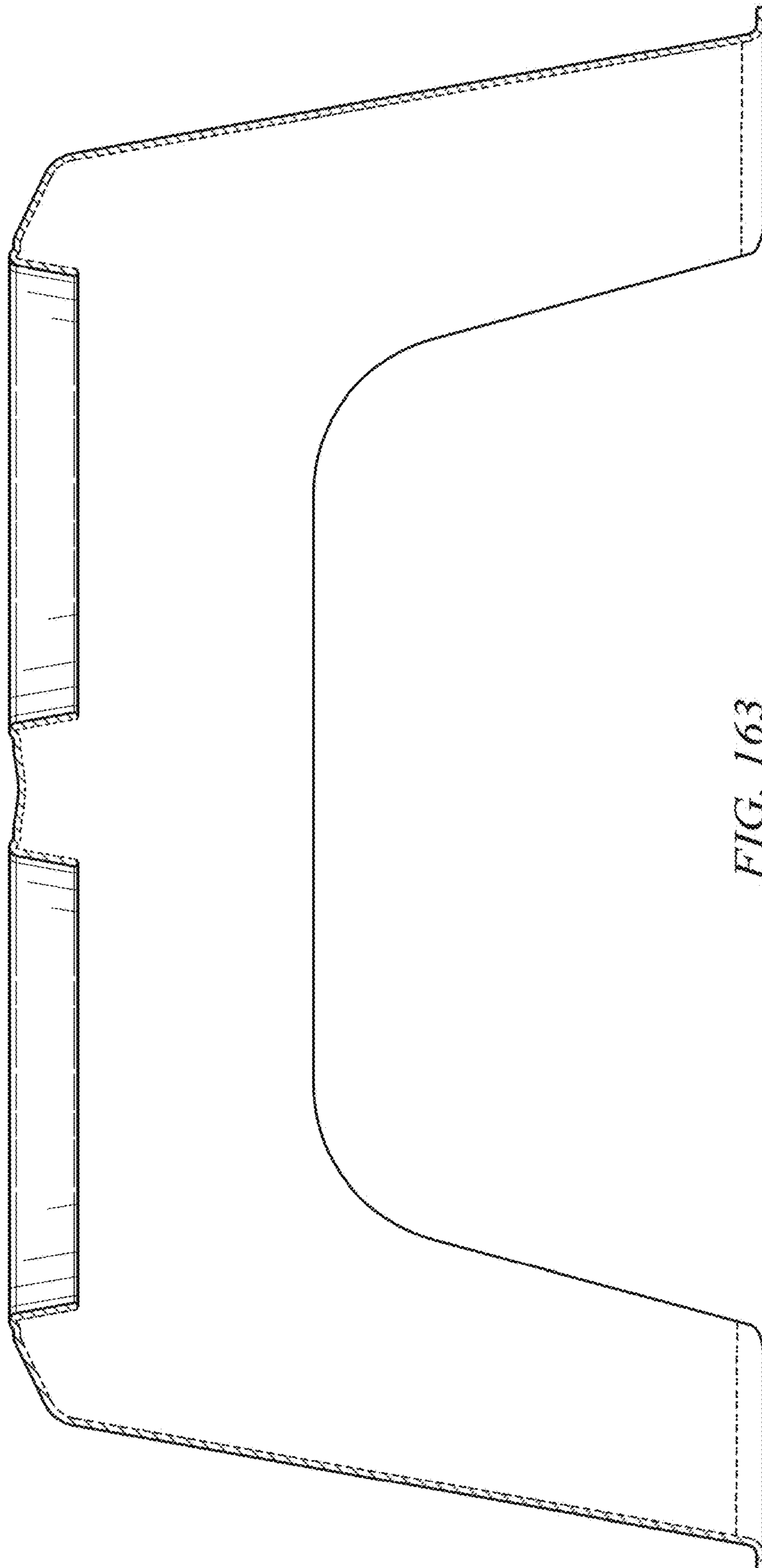


FIG. 163

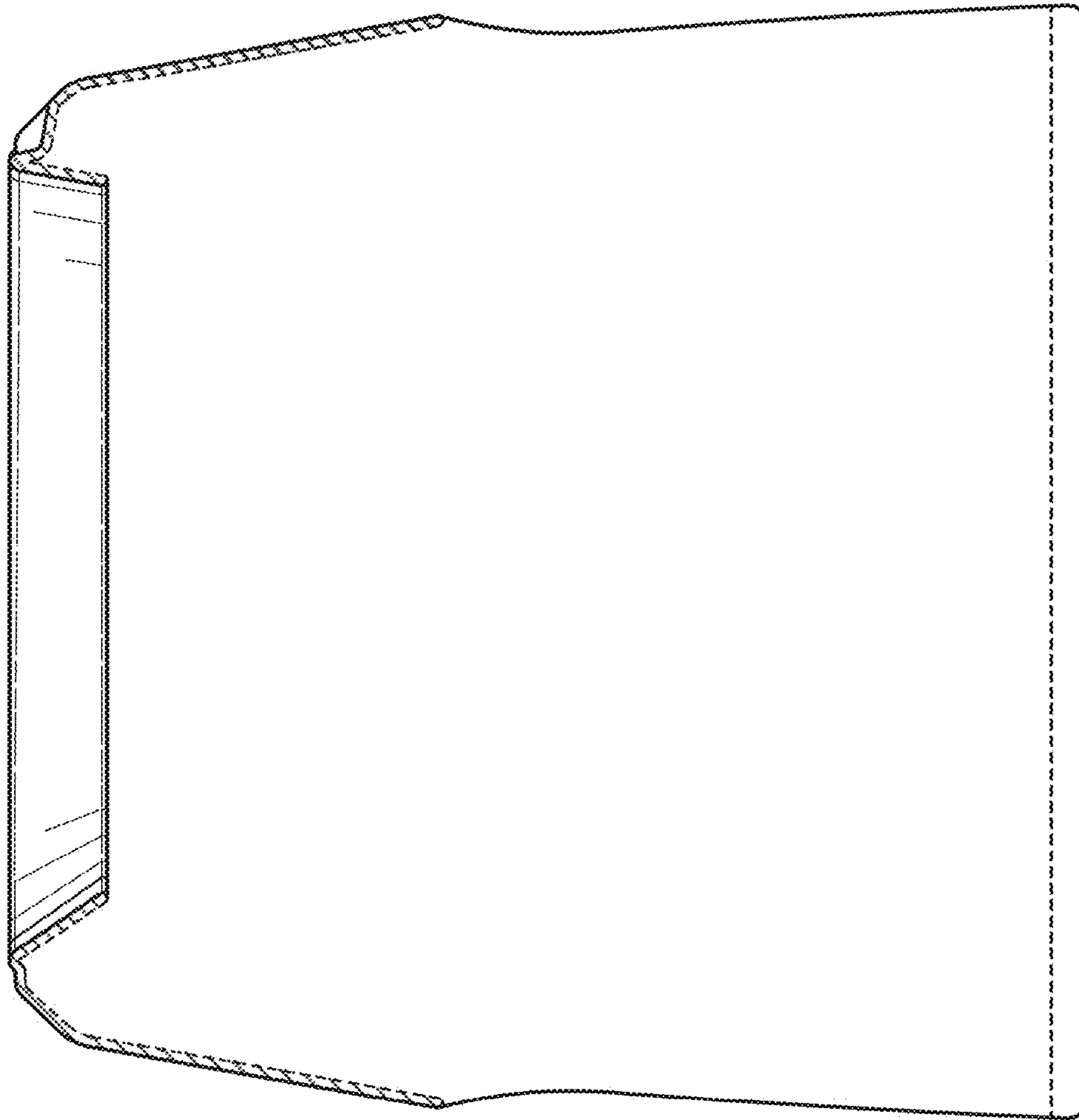


FIG. 164

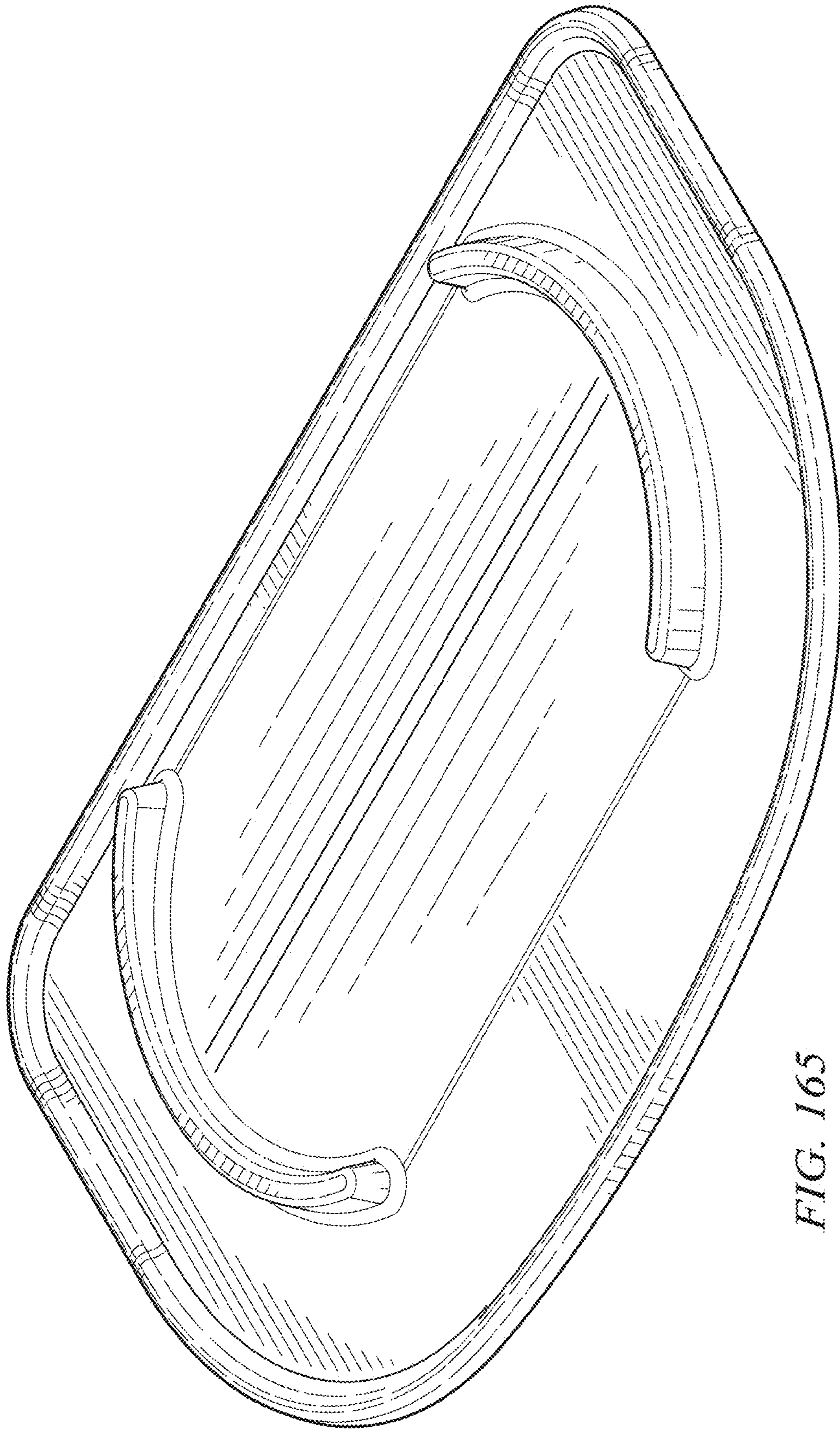


FIG. 165

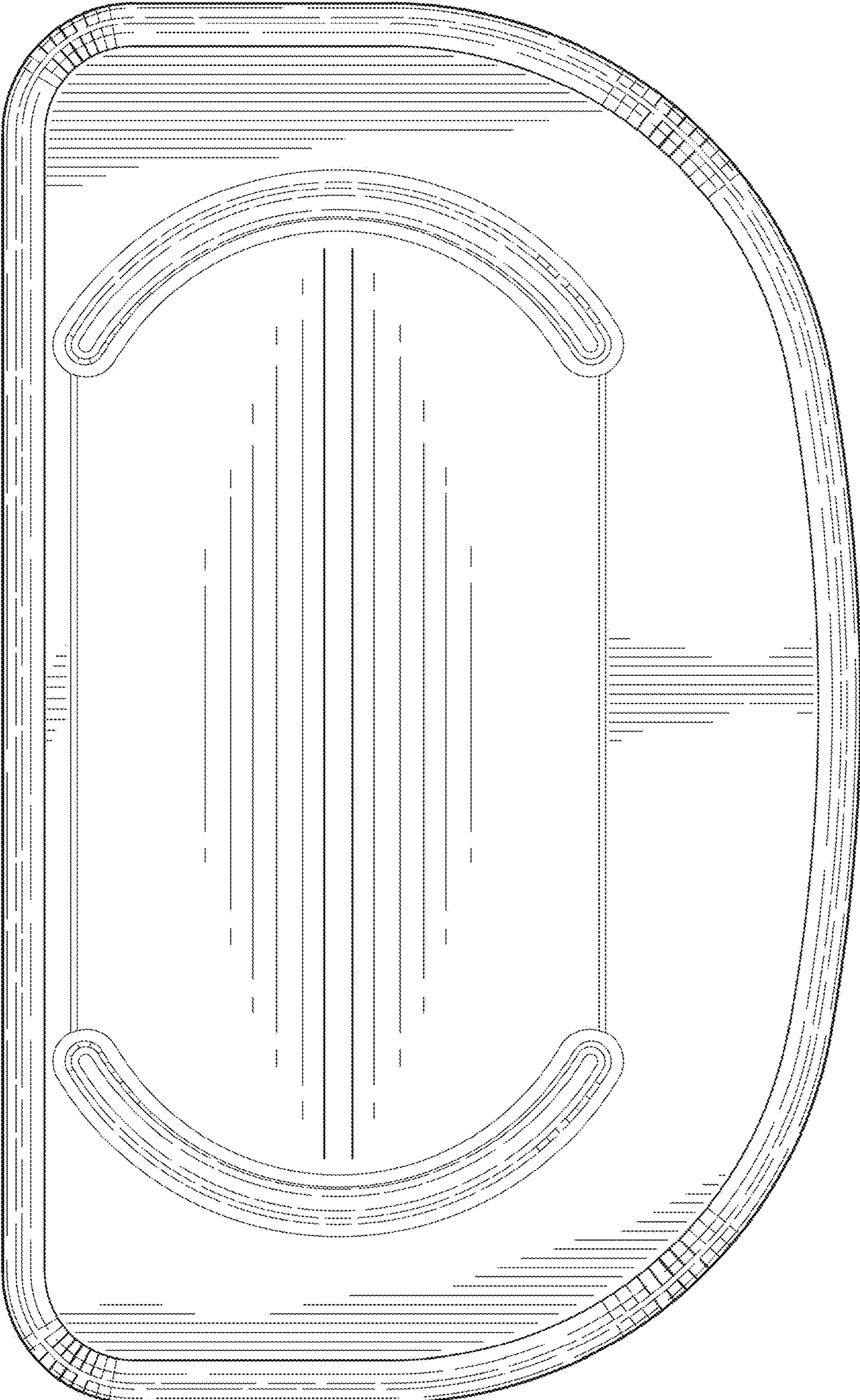


FIG. 166

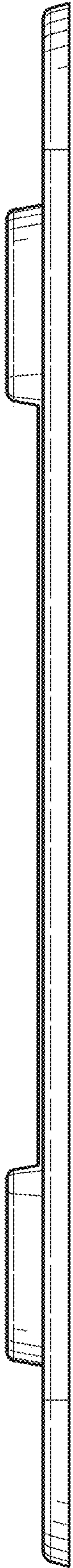


FIG. 167

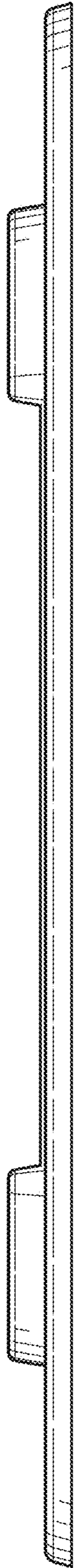


FIG. 168

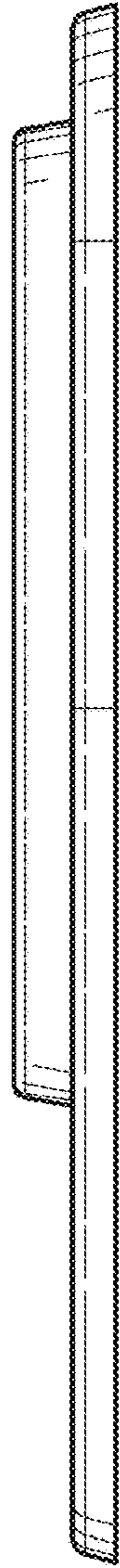


FIG. 169

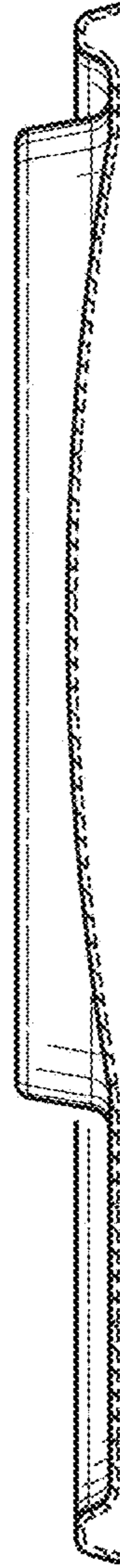


FIG. 170

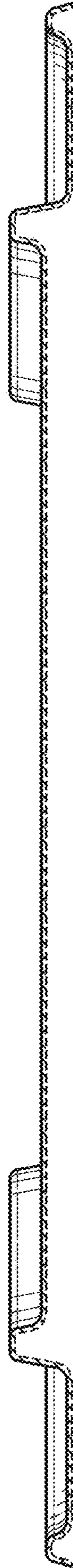


FIG. 171

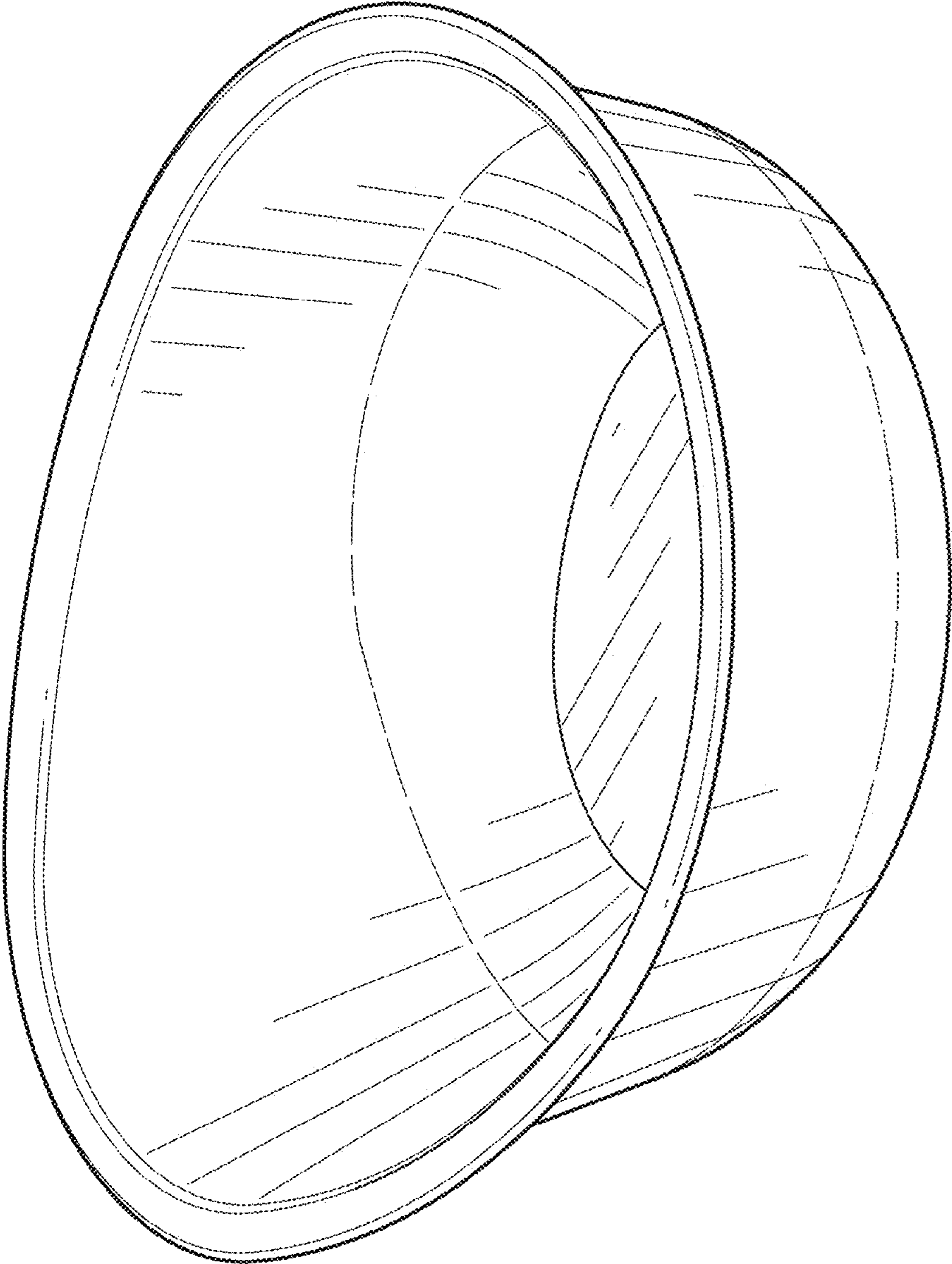


FIG. 172

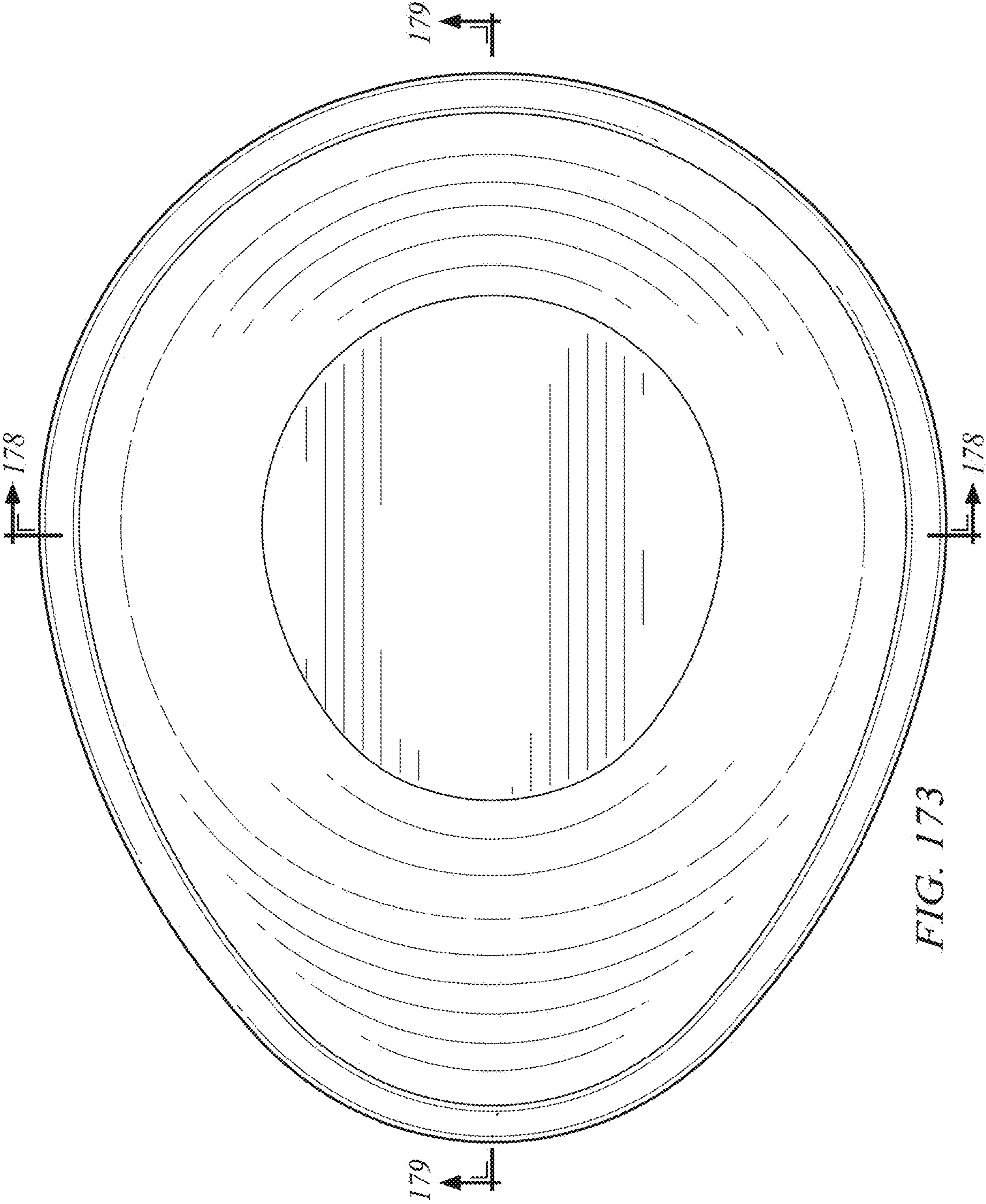


FIG. 173

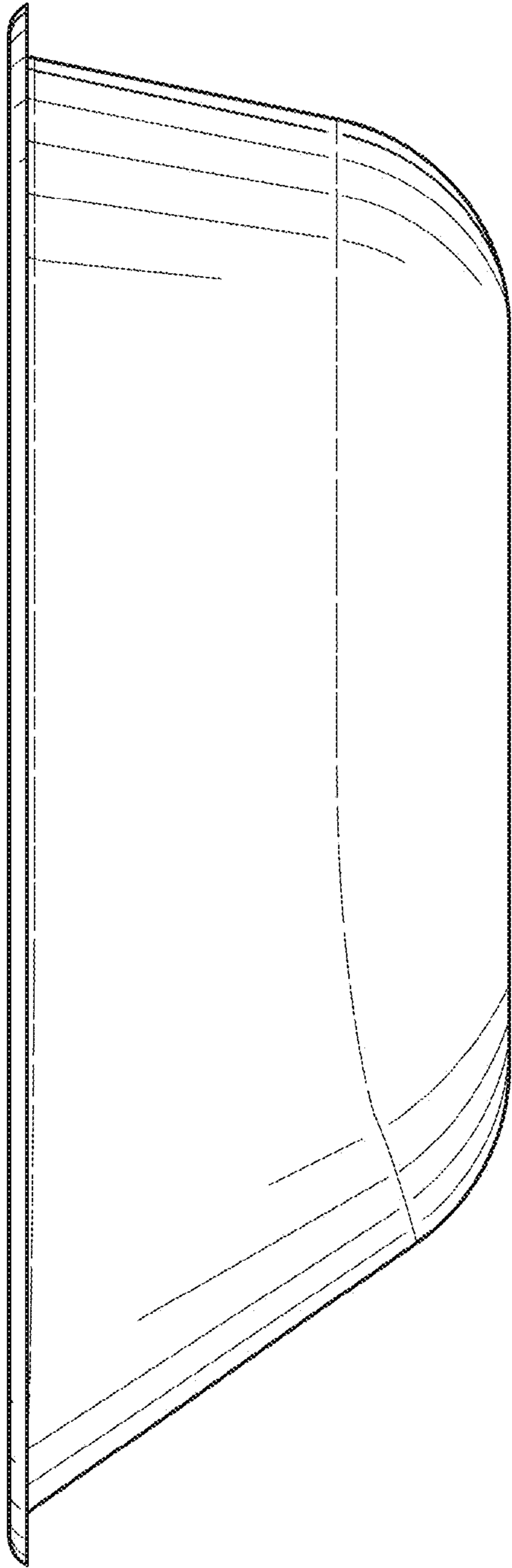


FIG. 174

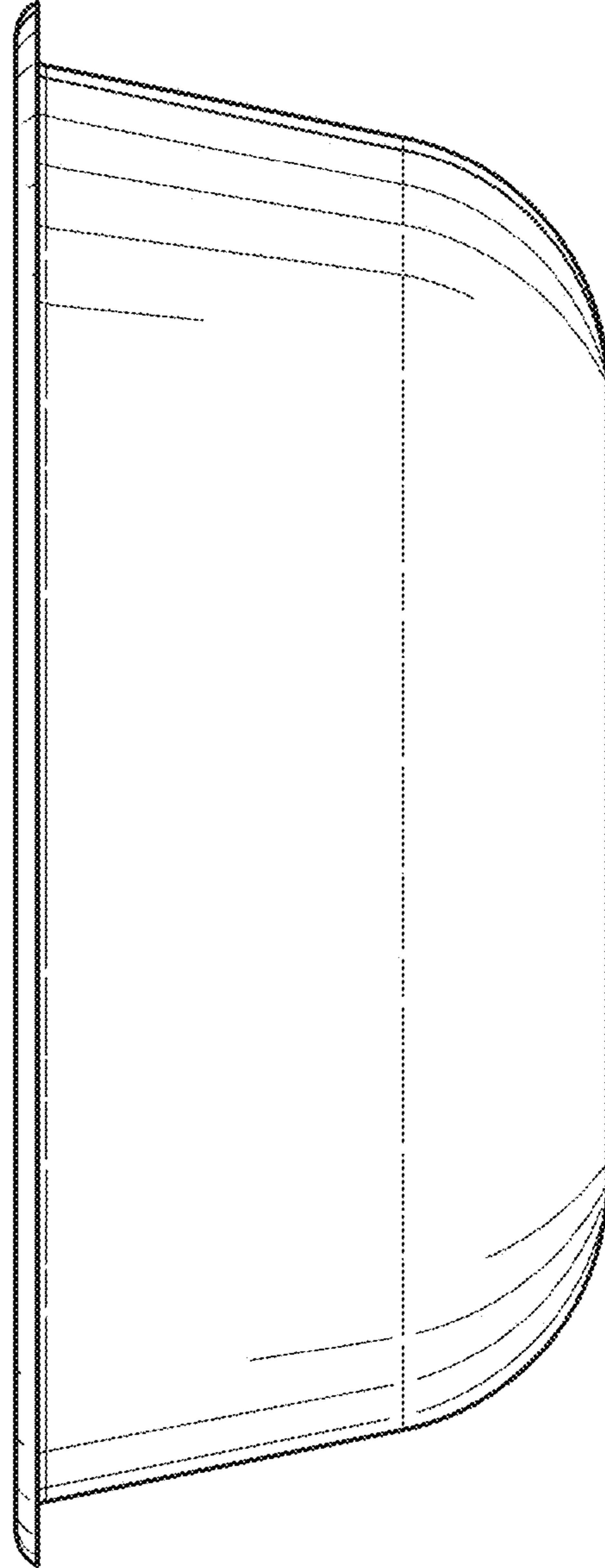


FIG. 175

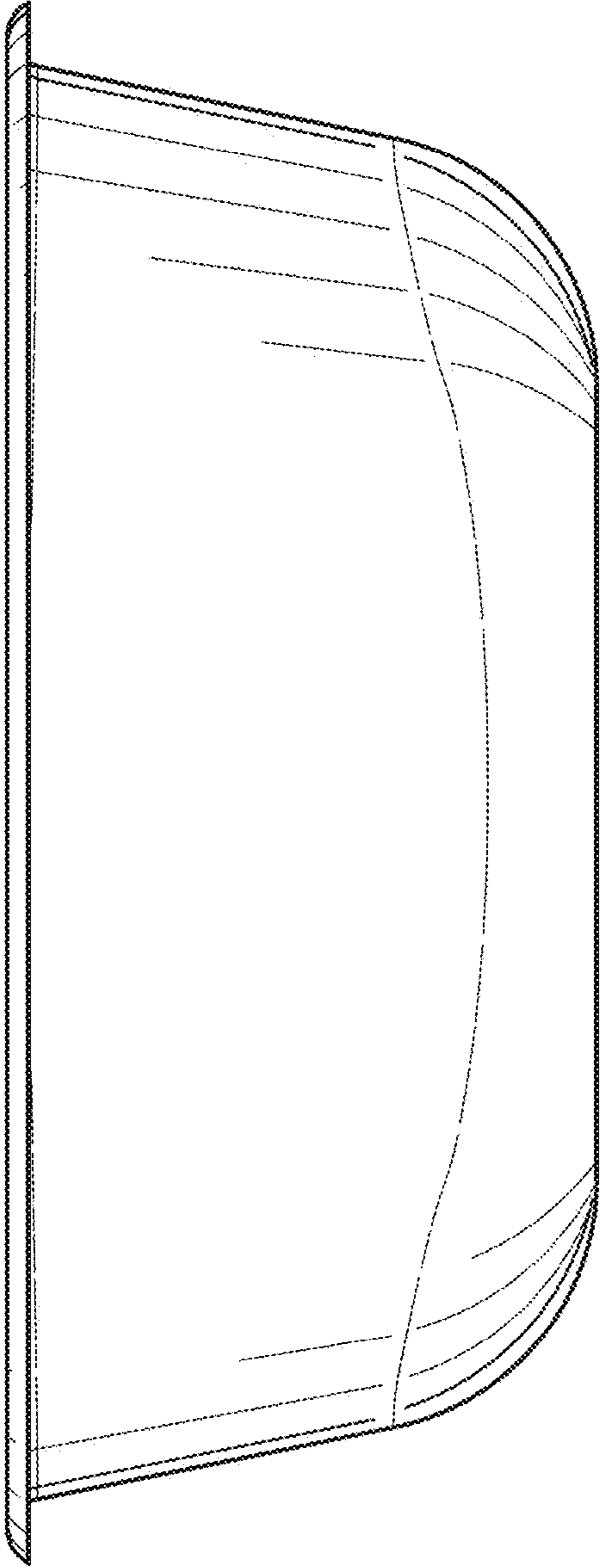


FIG. 176

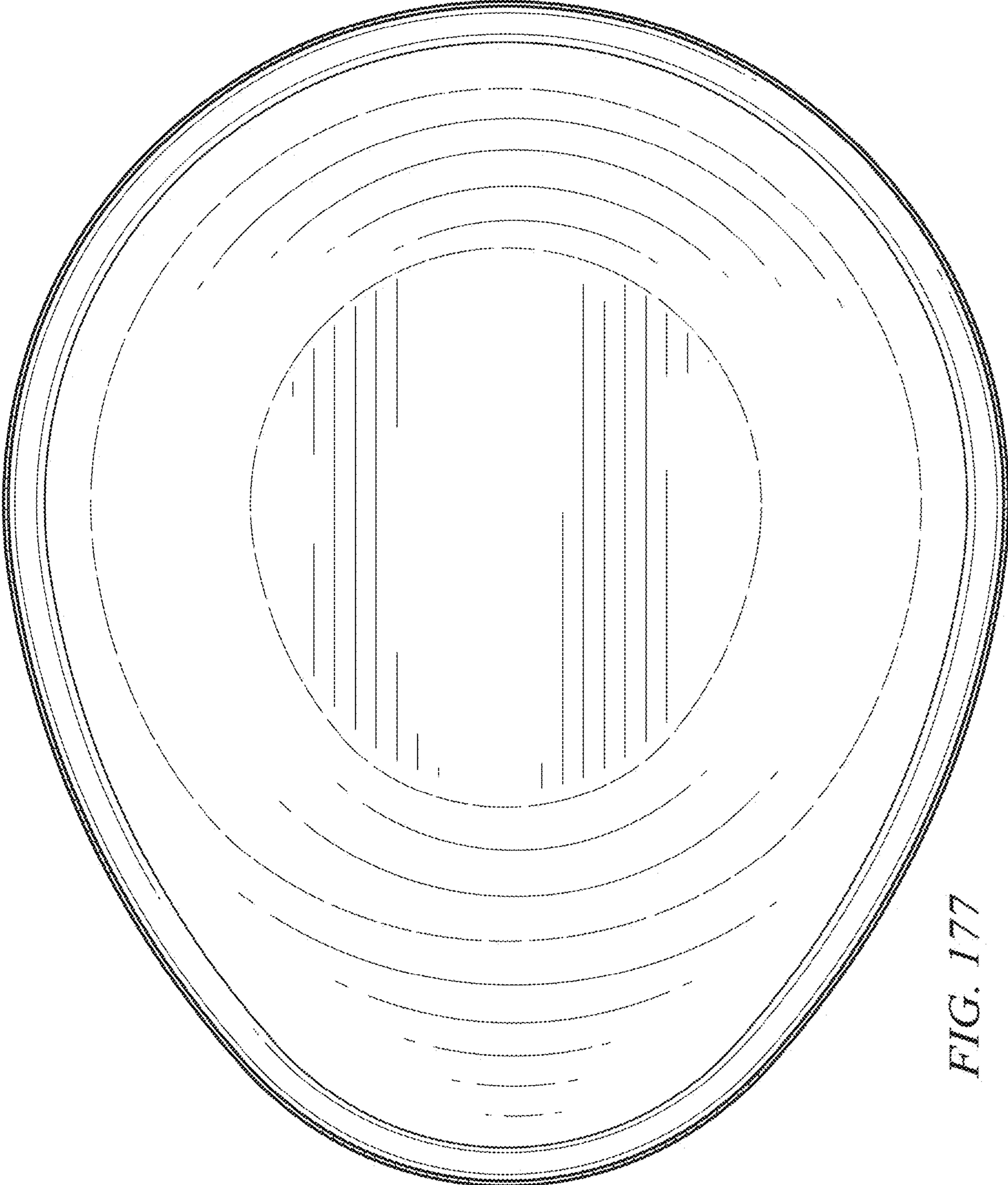


FIG. 177

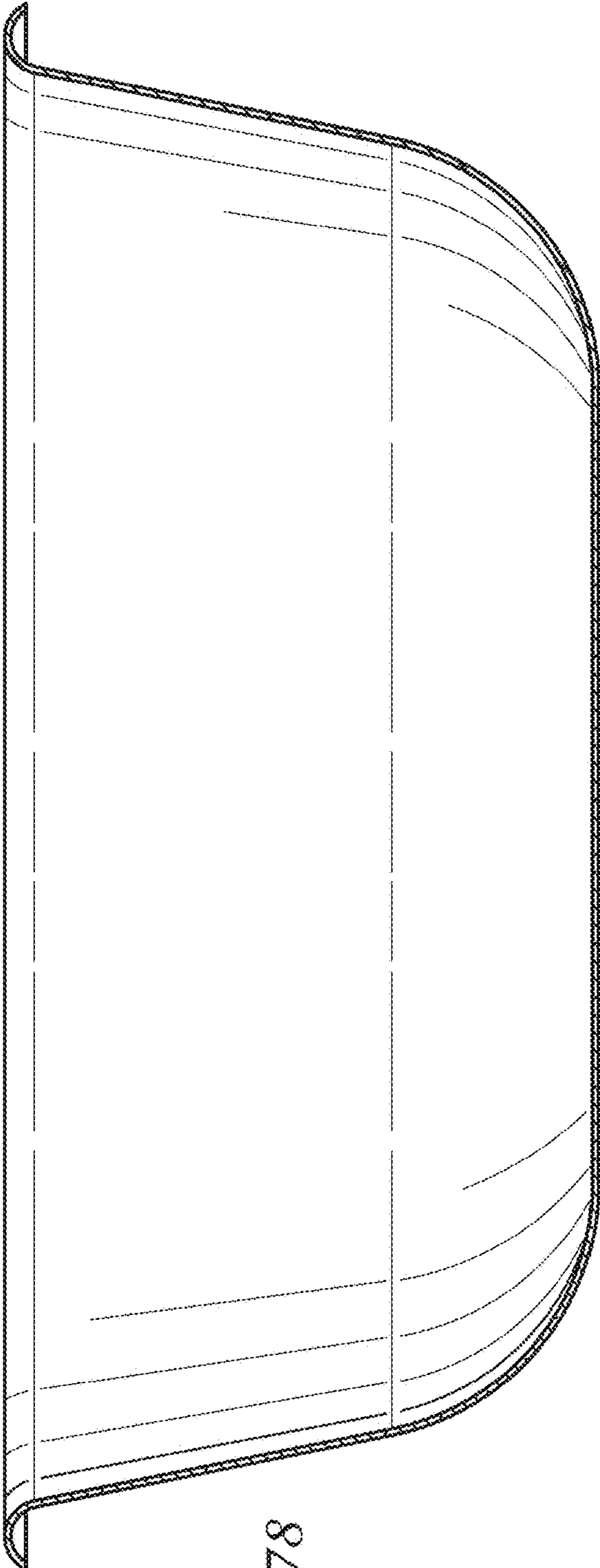


FIG. 178

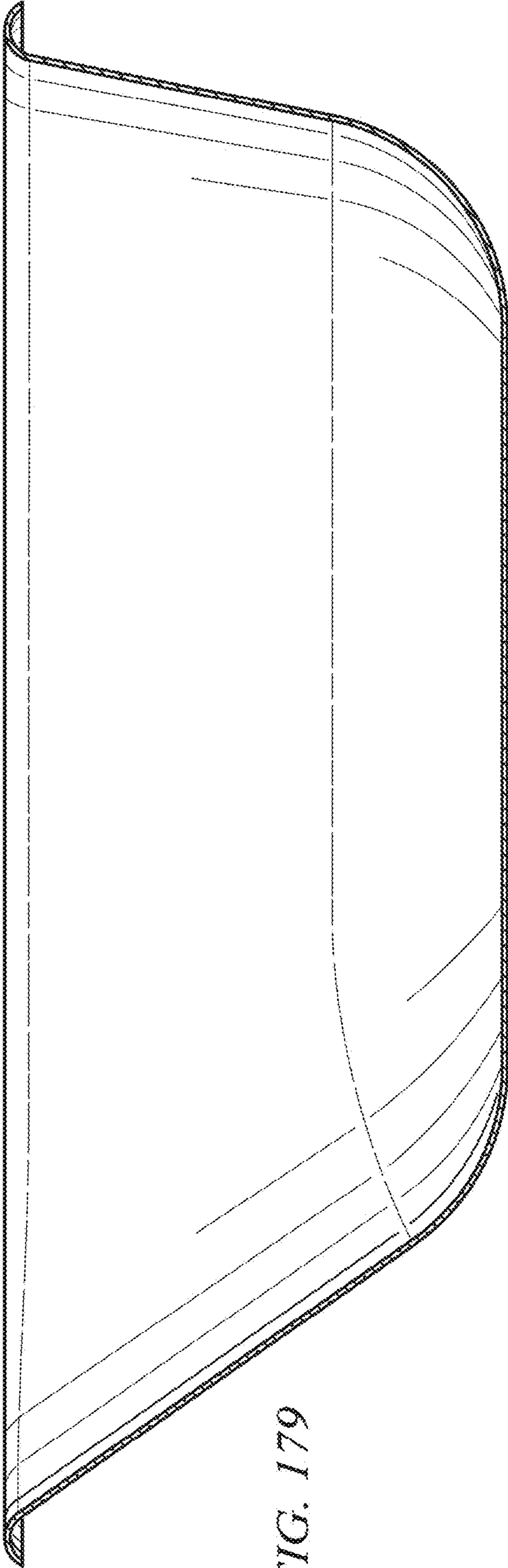


FIG. 179