



US00D873494S

(12) **United States Design Patent**
Preisinger

(10) **Patent No.:** **US D873,494 S**

(45) **Date of Patent:** **** Jan. 21, 2020**

(54) **MARTIAL ARTS PROTECTIVE VEST**

4,872,215 A * 10/1989 Sliger A63B 71/12
2/463

(71) Applicant: **Mark Preisinger**, Leavenworth, AS
(US)

D585,603 S * 1/2009 O'Connor D29/101.4
D677,005 S * 2/2013 Deurwarder D29/100
2007/0250984 A1 * 11/2007 Whitmire A41D 1/04
2/102

(72) Inventor: **Mark Preisinger**, Leavenworth, AS
(US)

* cited by examiner

(73) Assignee: **Mark Preisinger**, Leavenworth, KS
(US)

Primary Examiner — Randall H Gholson

(**) Term: **15 Years**

(21) Appl. No.: **29/644,556**

(57) **CLAIM**

(22) Filed: **Apr. 18, 2018**

The ornamental design for a martial arts protective vest, as shown and described.

(51) **LOC (12) Cl.** **09-03**

(52) **U.S. Cl.**
USPC **D29/101.4**

(58) **Field of Classification Search**
USPC D29/100, 101, 101.2, 101.3, 101.4, 122,
D29/124; D2/626, 829, 830, 860;
362/108; D21/805; 441/88, 106, 108,
441/111, 117; 182/3; 2/48, 51, 92, 102,
2/103, 105, 913, 914, 915
CPC A41D 1/00; A45F 3/00
See application file for complete search history.

DESCRIPTION

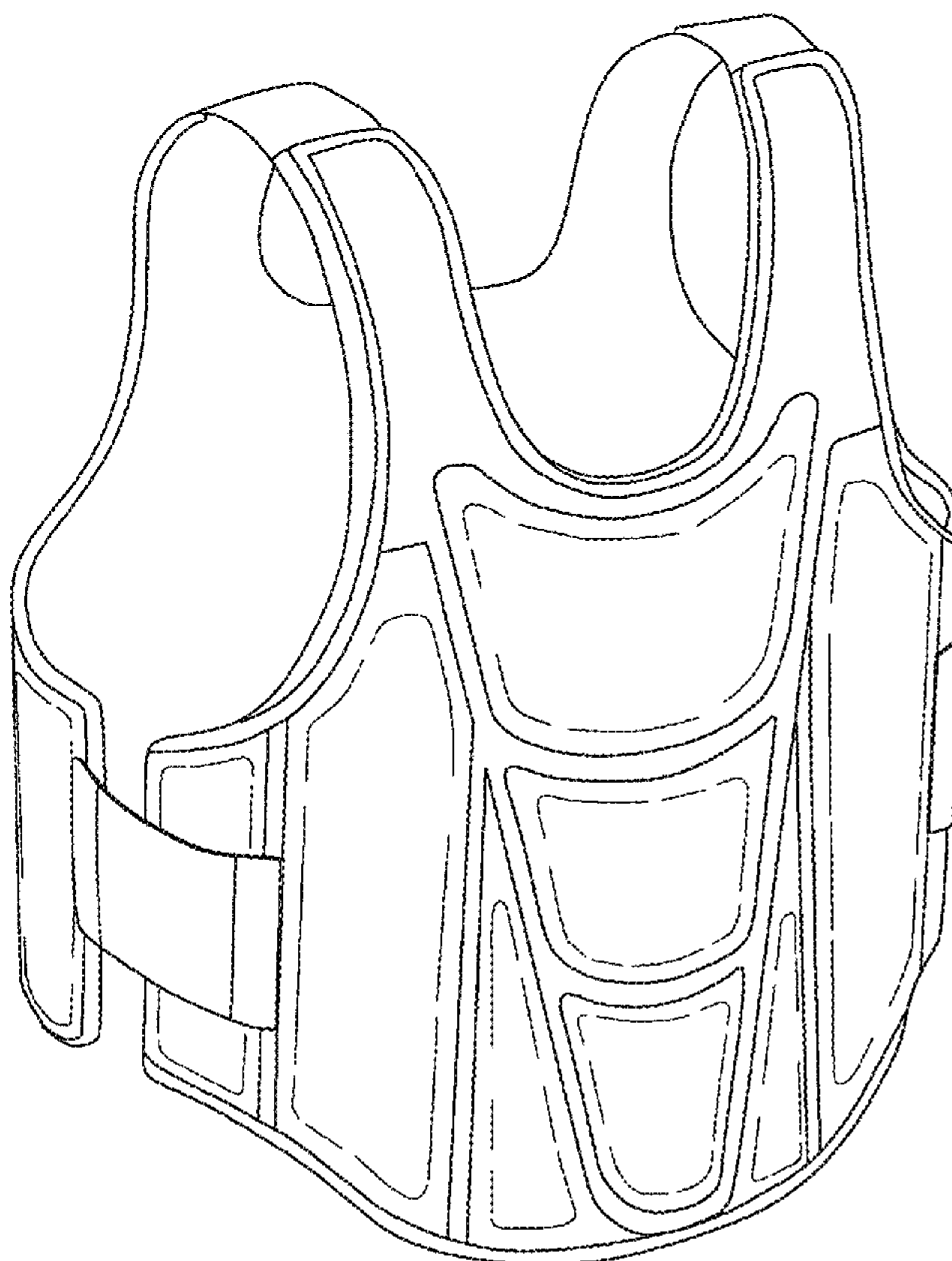
FIG. 1 is front view of my new design for a martial arts protective vest;
FIG. 2 is a front side perspective view thereof;
FIG. 3 is a left side view thereof;
FIG. 4 is a back side view thereof;
FIG. 5 is a right side view thereof;
FIG. 6 is a back side perspective view thereof;
FIG. 7 is a top side view thereof; and,
FIG. 8 is a bottom side view thereof.

(56) **References Cited**

U.S. PATENT DOCUMENTS

4,824,107 A * 4/1989 French A63B 24/0021
273/454

1 Claim, 8 Drawing Sheets



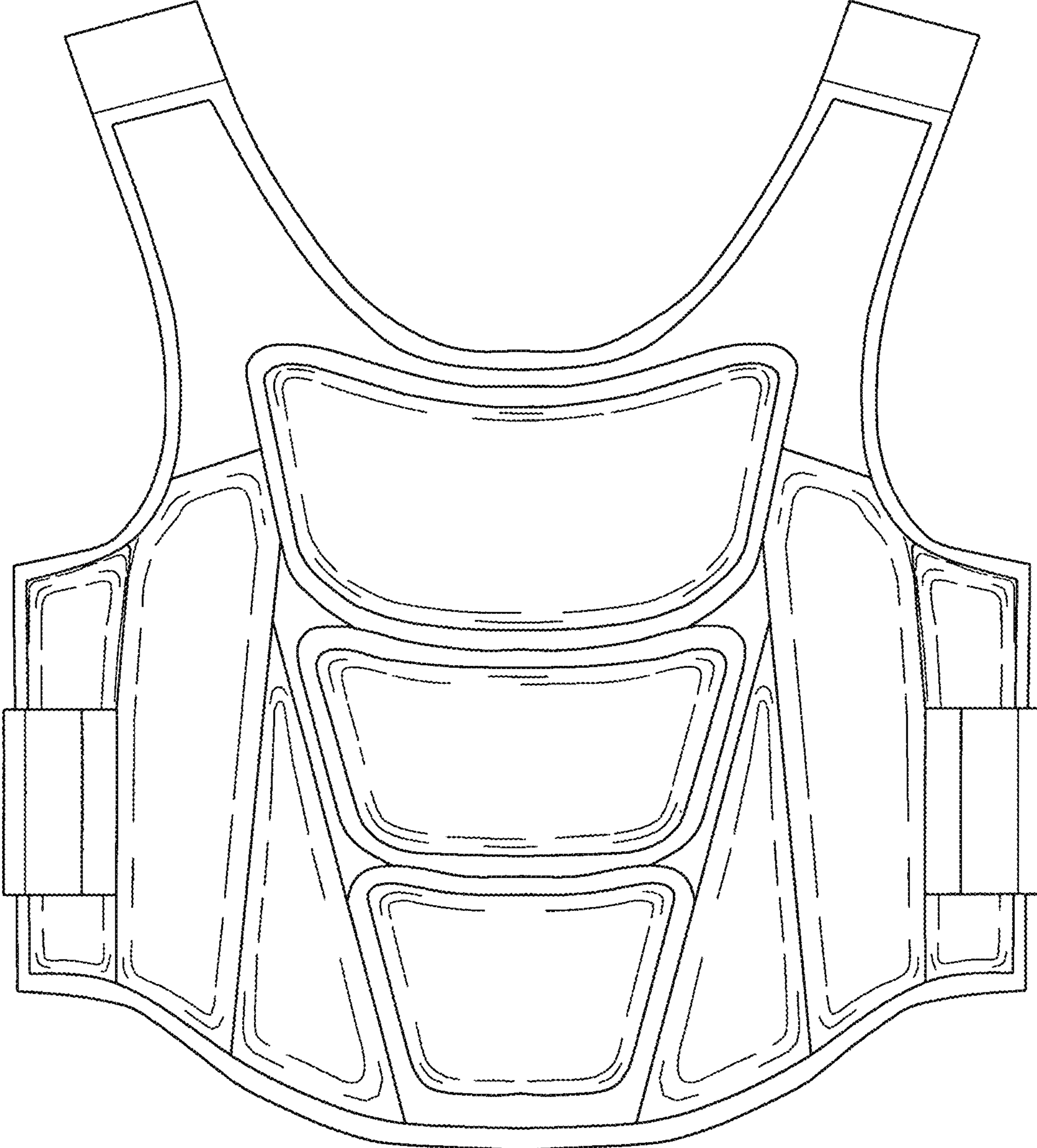


FIGURE 1

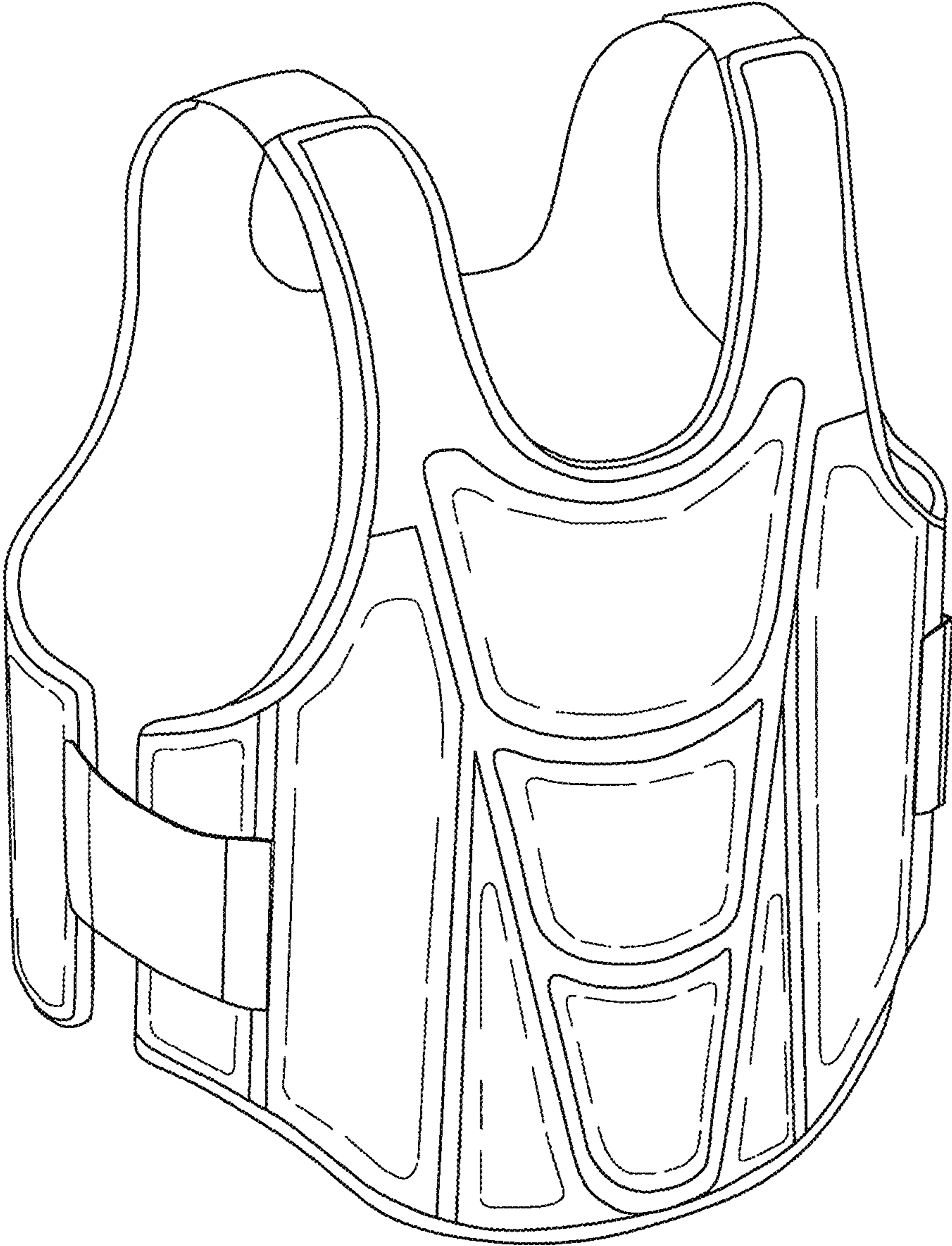


FIGURE 2

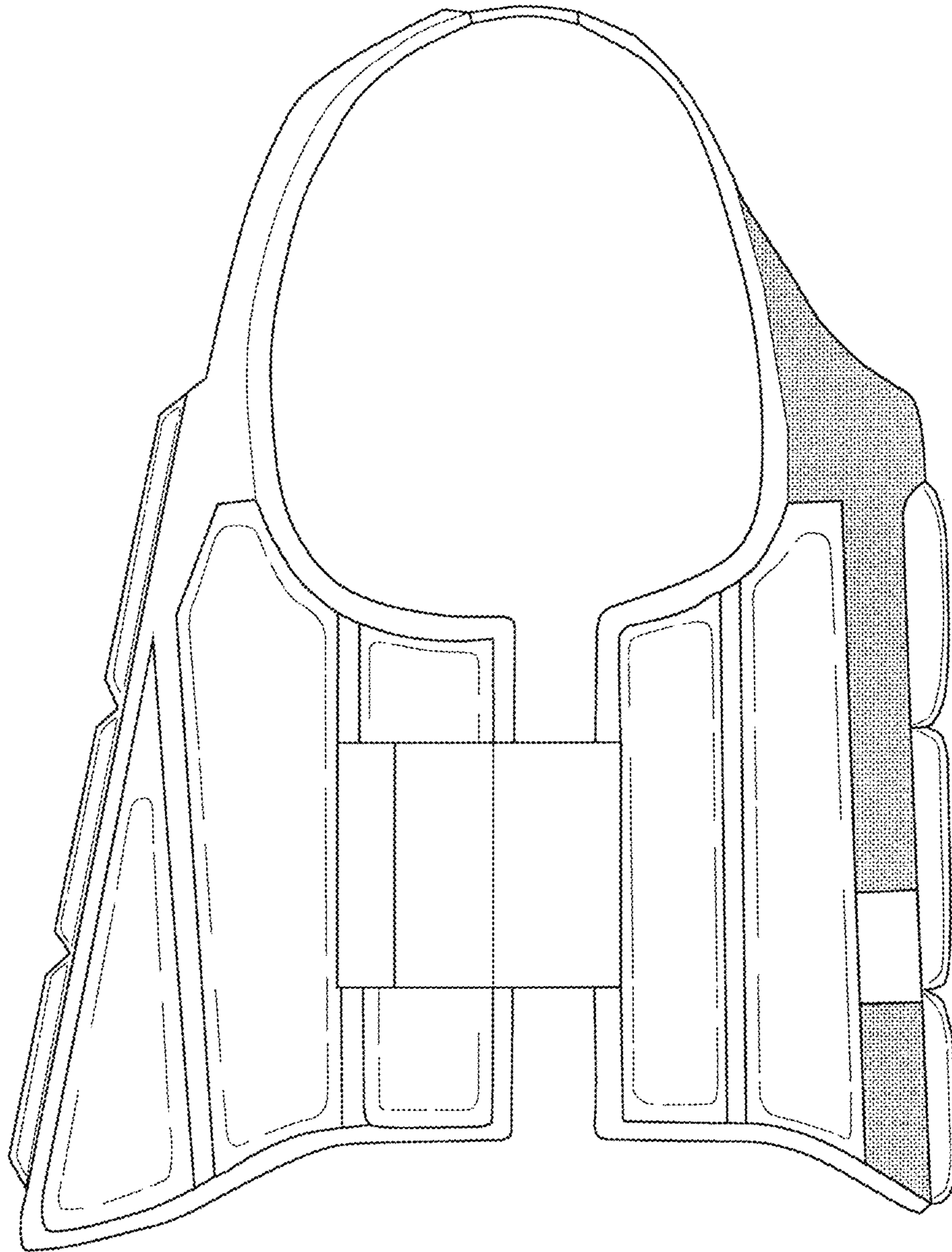


FIGURE 3

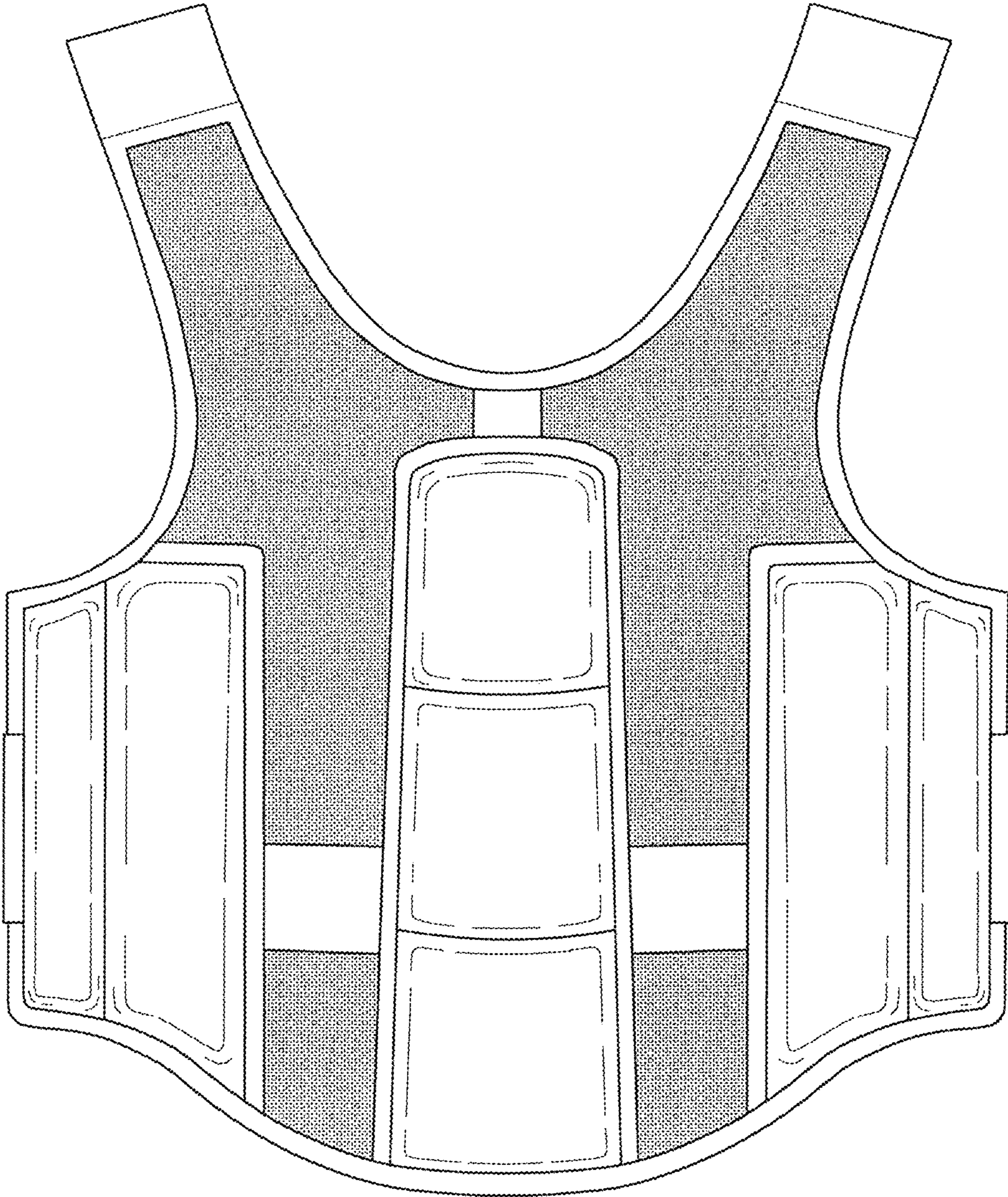


FIGURE 4

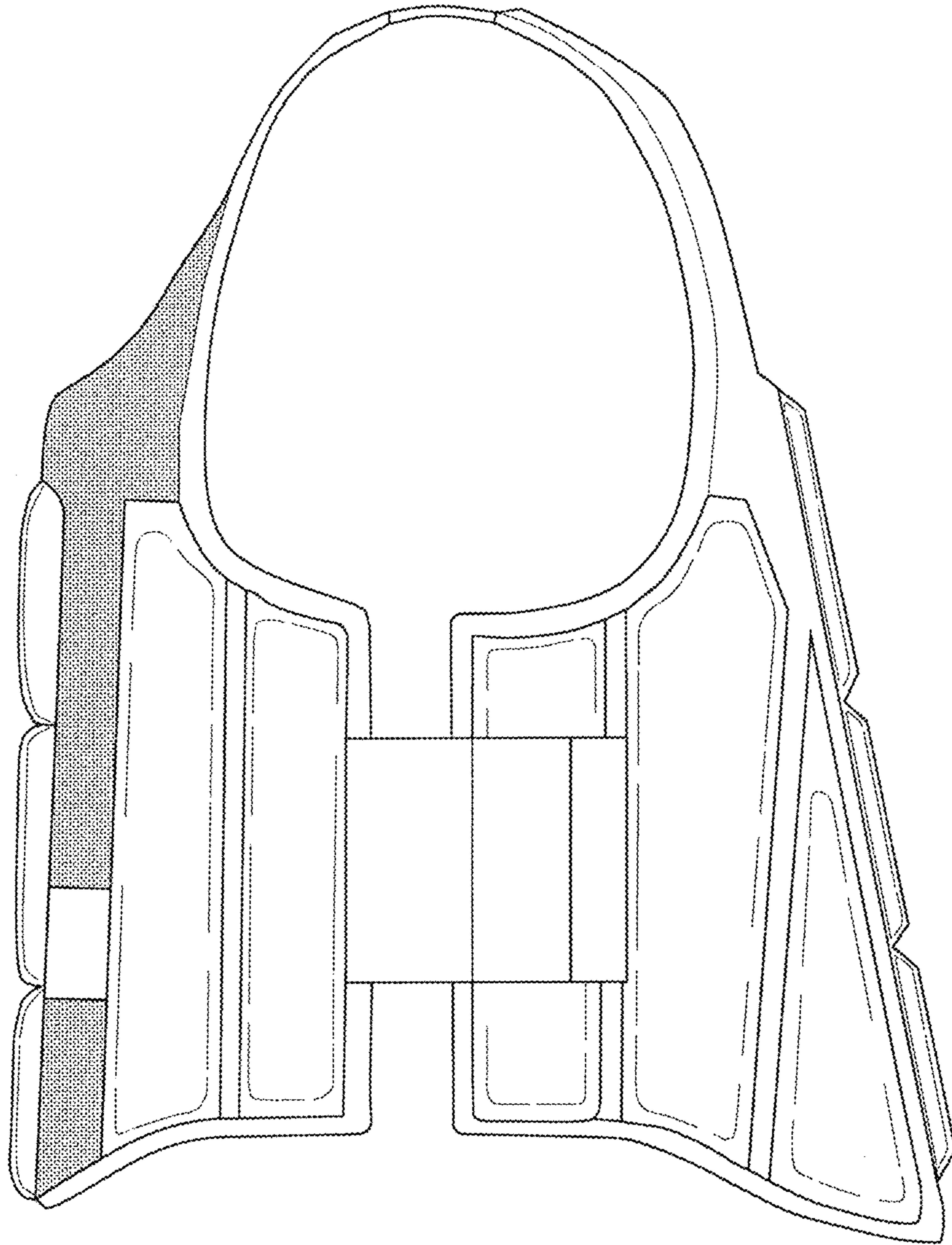


FIGURE 5

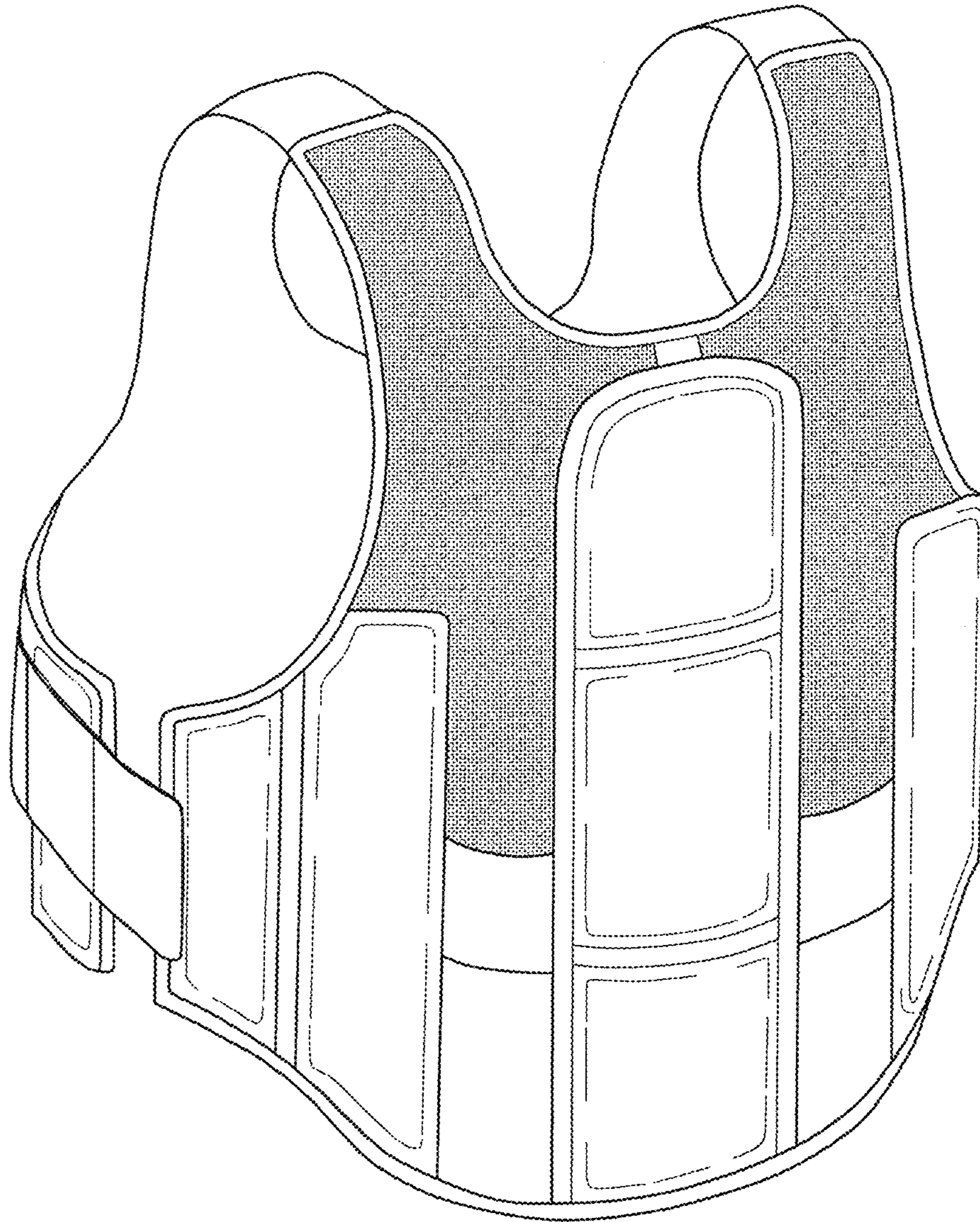


FIGURE 6

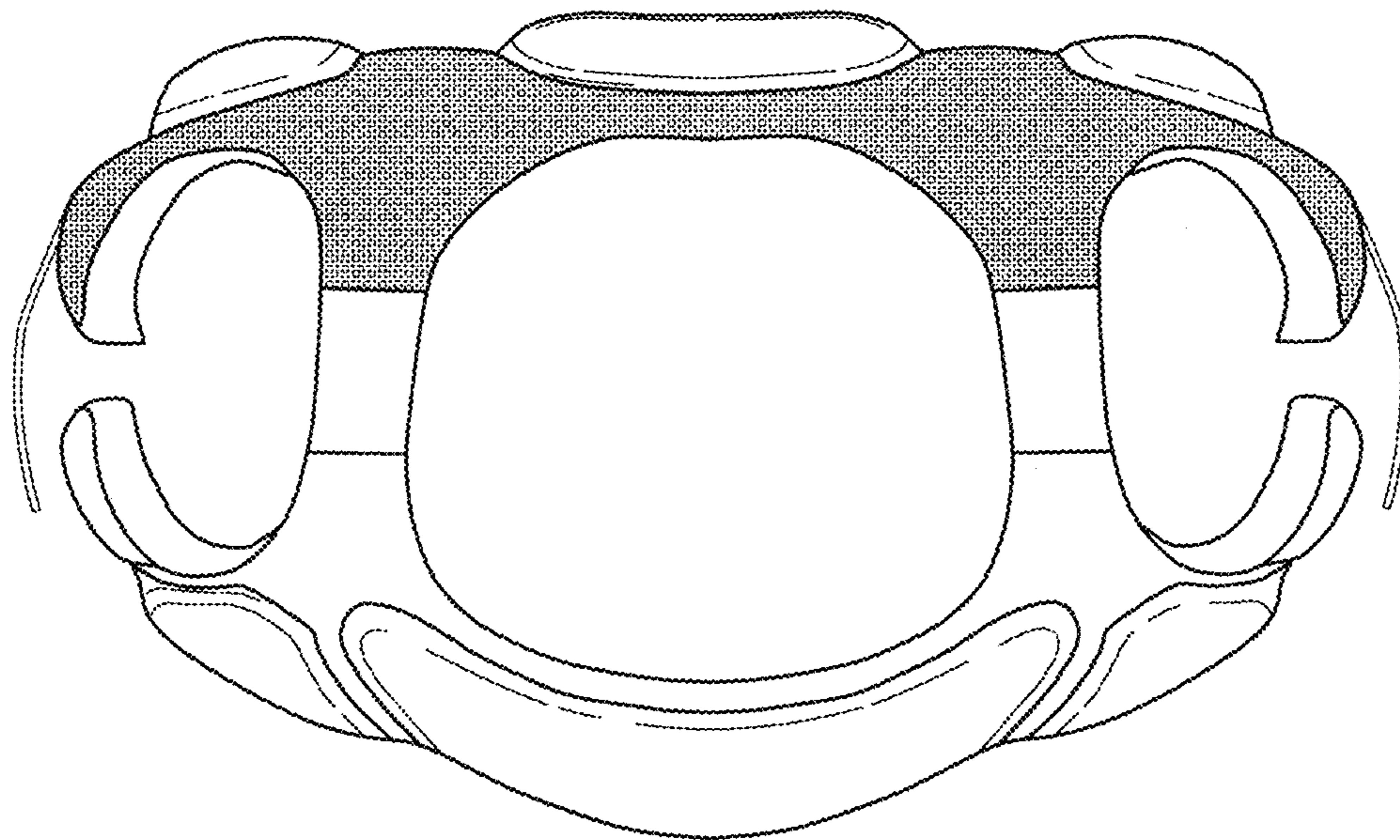


FIGURE 7

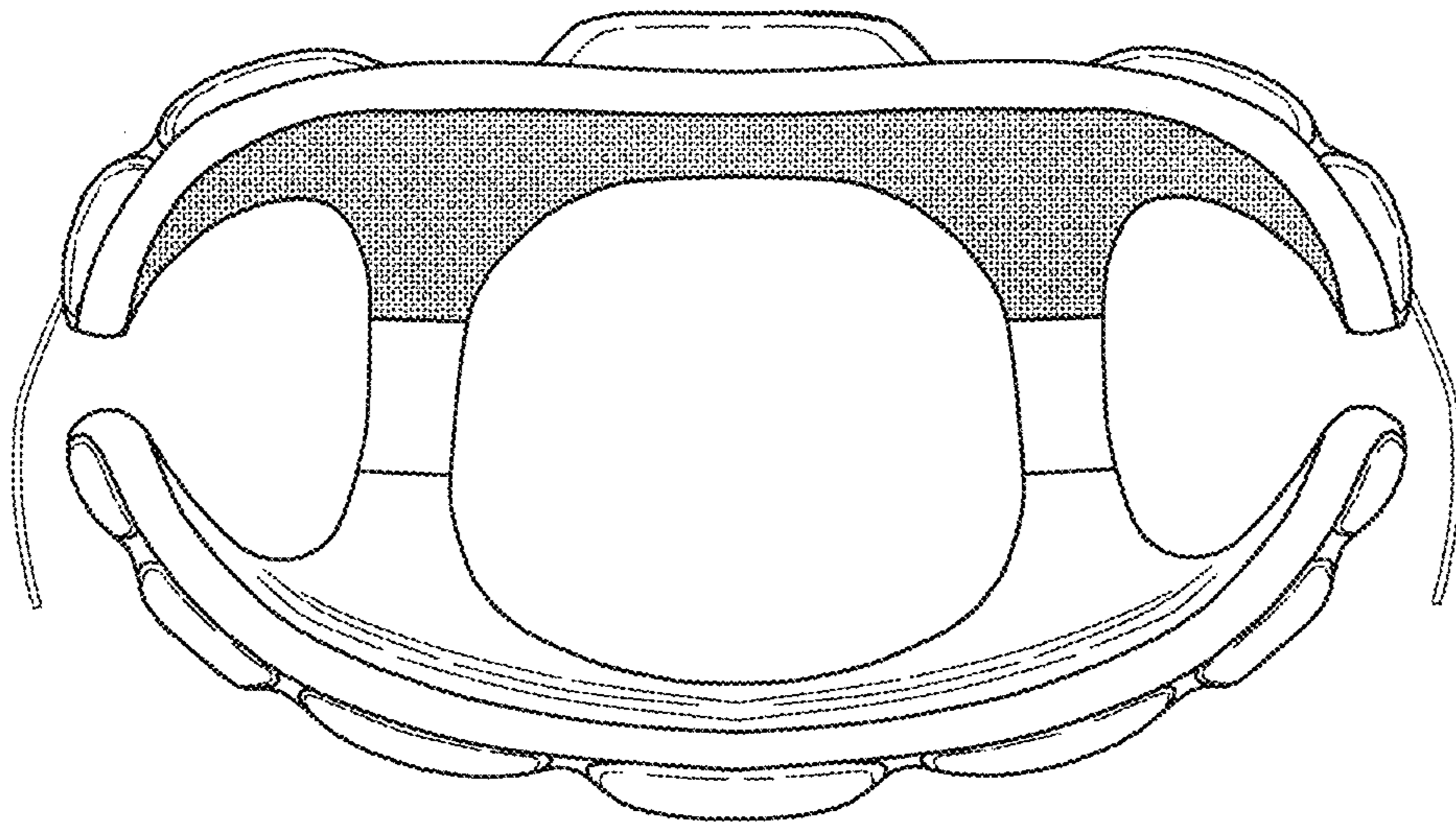


FIGURE 8