

US00D873493S

(12) **United States Design Patent**  
**Geisinsky et al.**

(10) **Patent No.:** **US D873,493 S**  
(45) **Date of Patent:** **\*\* Jan. 21, 2020**

(54) **WIG GRIP BAND**

(71) Applicant: **NG Imports, Inc.**, Long Beach, CA (US)

(72) Inventors: **Yehudis Geisinsky**, Long Beach, CA (US); **Yitzchok Geisinsky**, Long Beach, CA (US)

(73) Assignee: **NG Imports, Inc.**, Long Beach, CA (US)

(\*\*) Term: **15 Years**

(21) Appl. No.: **29/701,813**

(22) Filed: **Aug. 14, 2019**

**Related U.S. Application Data**

(63) Continuation of application No. 16/276,579, filed on Feb. 14, 2019.

(51) **LOC (12) Cl.** ..... **28-04**

(52) **U.S. Cl.**  
USPC ..... **D28/93; D28/41**

(58) **Field of Classification Search**  
USPC ..... D28/21–34, 39–43, 92, 93; D2/871–875; D24/191

(Continued)

(56) **References Cited**

**U.S. PATENT DOCUMENTS**

3,474,798 A 10/1969 Tillotson  
3,788,332 A 1/1974 Abbott et al.

(Continued)

**FOREIGN PATENT DOCUMENTS**

GB 1388300 3/1975

**OTHER PUBLICATIONS**

GB Design Registration No. 4035095, entitled “Head band with wireless communication device built in”; Publication date Apr. 24, 2014; Registration owner: Bluefingers Laboratories Europe Limited.

(Continued)

*Primary Examiner* — Zenia I Bennett

(74) *Attorney, Agent, or Firm* — Lance M. Pritikin

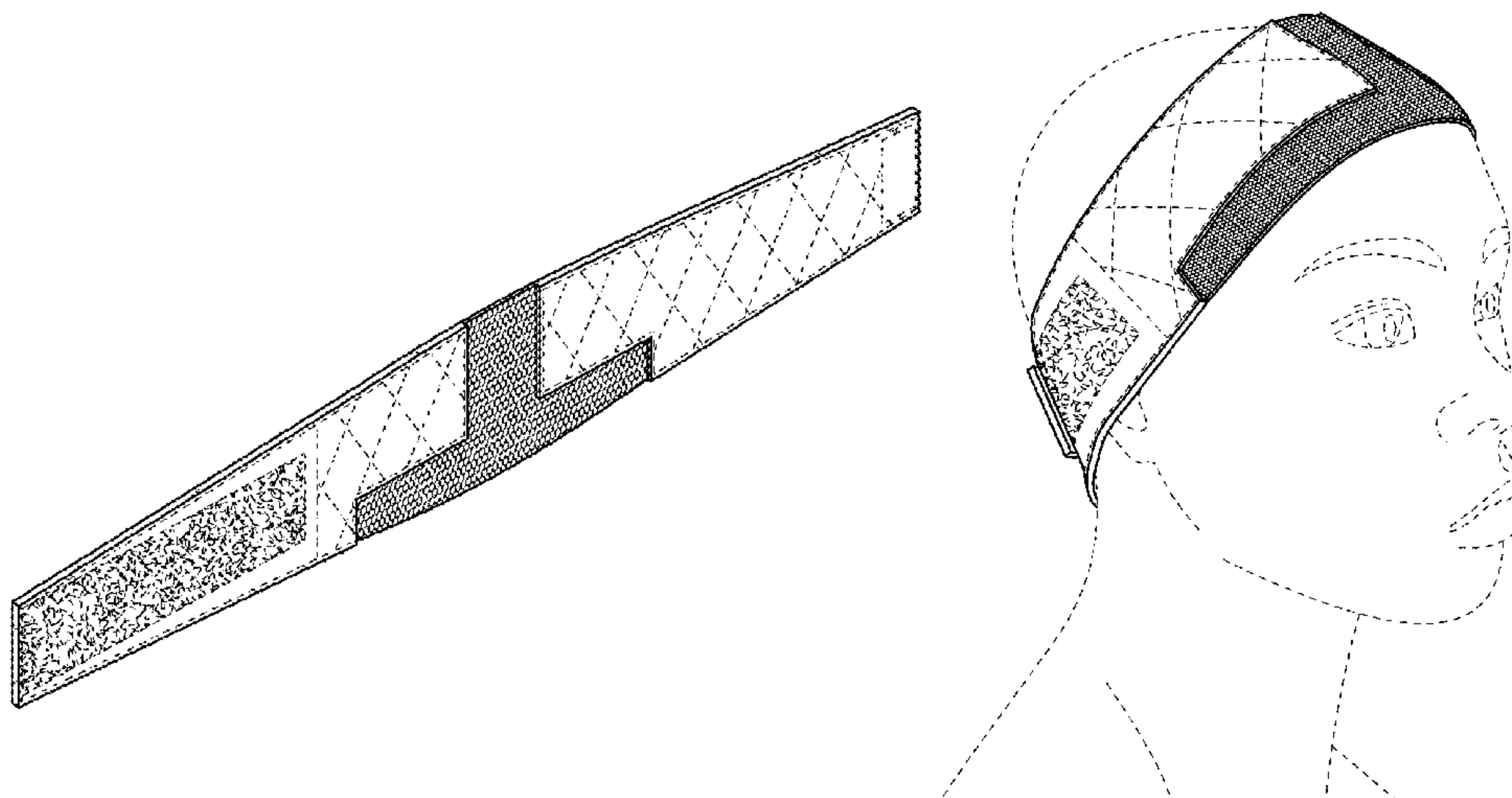
(57) **CLAIM**

The ornamental design for a wig grip band, as shown and described.

**DESCRIPTION**

FIG. 1 is a front perspective view of a first embodiment of a wig grip band, showing my new design; FIG. 2 is a front elevational view thereof; FIG. 3 is a rear elevational view thereof; FIG. 4 is a left side elevational view thereof; FIG. 5 is a right side elevational view thereof; FIG. 6 is a top plan view thereof; FIG. 7 is a bottom plan view thereof; FIG. 8 is a further front perspective view thereof, wherein the wig grip band is shown deployed on the head of a wearer; FIG. 9 is a rear perspective view thereof, wherein the wig grip band is shown deployed on the head of a wearer; FIG. 10 is a front perspective view of a second embodiment of a wig grip band, showing my new design; FIG. 11 is a front elevational view thereof; FIG. 12 is a rear elevational view thereof; FIG. 13 is a left side elevational view thereof; FIG. 14 is a right side elevational view thereof; FIG. 15 is a top plan view thereof; FIG. 16 is a bottom plan view thereof; FIG. 17 is a further front perspective view thereof, wherein the wig grip band is shown deployed on the head of a wearer; and, FIG. 18 is a rear perspective view thereof, wherein the wig grip band is shown deployed on the head of a wearer. The broken lines in FIGS. 1-18 are for the purpose of illustrating portions of the wig grip band and environmental structure that form no part of the claimed design.

**1 Claim, 10 Drawing Sheets**



(58) **Field of Classification Search**

CPC ... A45D 8/00; A45D 8/34; A41G 3/00; A41G 3/0008; A41G 3/0016; A41G 3/0041; A41G 3/0058; A41G 3/0091

See application file for complete search history.

2014/0202481	A1	7/2014	Sato et al.
2014/0251362	A1	9/2014	Lee
2015/0013708	A1	1/2015	Chamberlain
2015/0128979	A1	5/2015	Suh
2015/0327609	A1	11/2015	Suh
2017/0095026	A1	4/2017	Chung
2018/0007988	A1	1/2018	Kim et al.

(56) **References Cited**

U.S. PATENT DOCUMENTS

4,155,370	A	5/1979	Nemoto	
D333,013	S	2/1993	Scianna	
5,806,535	A *	9/1998	Becker	A41G 3/0016 132/53
6,352,079	B1	3/2002	Bate	
D475,140	S *	5/2003	Anderson	D24/191
D519,639	S *	4/2006	Follman	D24/191
D556,331	S *	11/2007	Moore	D2/600
D583,097	S *	12/2008	Levering	D28/41
7,537,014	B1	5/2009	Yoo	
D644,379	S	8/2011	Vanesse	
8,261,753	B2	9/2012	Newman et al.	
D669,633	S	10/2012	Hedgren	
D712,094	S	8/2014	Branson	
8,813,761	B2 *	8/2014	Guliker	A41G 5/004 132/53
D713,534	S *	9/2014	Manley, Jr.	D24/189
9,027,568	B2	5/2015	Lee	
9,107,460	B1	8/2015	Synn et al.	
2003/0029467	A1	2/2003	Katon	
2003/0131861	A1	7/2003	Prestia	
2004/0149299	A1	8/2004	Kim	
2011/0073122	A1	3/2011	Shigematsu	
2013/0019889	A1	1/2013	Palmer-Rogers	

OTHER PUBLICATIONS

JP Design Registration No. D1379926, entitled "Retention band which is something which", Publication date Feb. 15, 2010; Registration owner: Brain Ltd.

JP Design Registration No. D1391781, entitled "Hair Band"; Publication date Jul. 5, 2010; Registration owner: Sante Professional Corporation.

JP Design Registration No. D1586936, entitled "Head band"; Publication date Oct. 2, 2017; Registration owner: Takayuki Onuma.

KR Design Registration No. 3002983000000, entitled "Cold Pack Pack Band"; Publication date May 17, 2002; Applicant: Lee Seong Hoon.

KR Design Registration No. 3005060070000, entitled "Perfume Blocking Hair Band"; Publication date Sep. 17, 2008; Applicant: Jeong, Myoung-Seok.

KR Design Registration No. 3006686140001, entitled "Hair Band"; Publication date Nov. 22, 2012; Applicant: J&J USA Co. Ltd. Title: "Discover ideas about U part wig"; URL: <https://www.pinterest.com/pin/630644754049080146/>; Published date: Feb. 2019.

Title: "Milano Collection Original WiGrip Wig Comfort Band"; URL: <http://www.mcwigs.com/wigrip.html>; Published date: Sep. 22, 2017.

\* cited by examiner

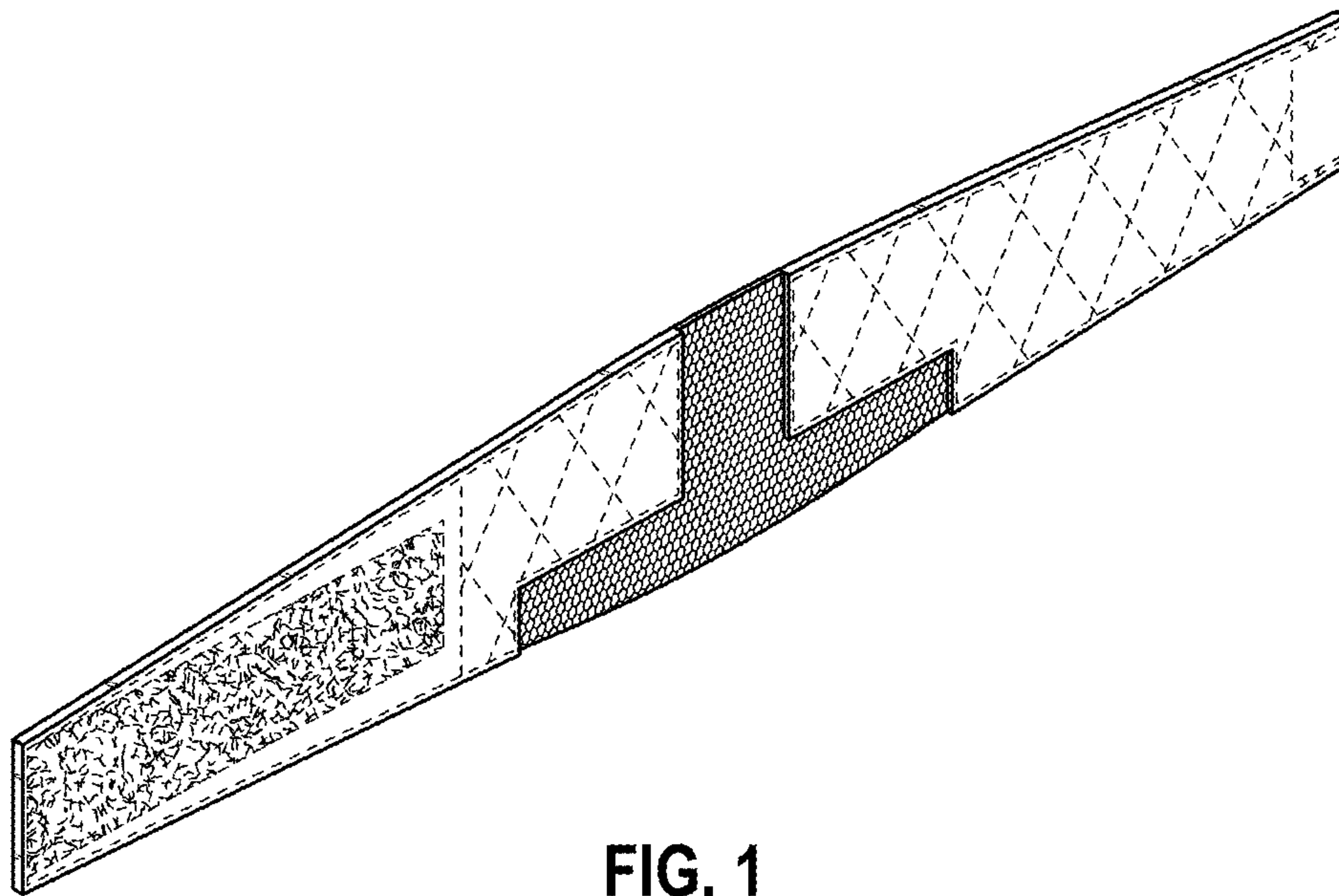


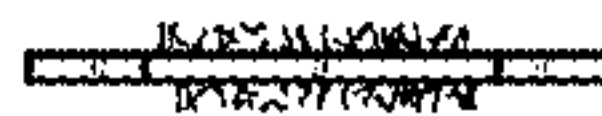
FIG. 1



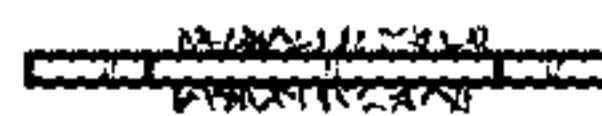
**FIG. 2**



**FIG. 3**



**FIG. 4**



**FIG. 5**



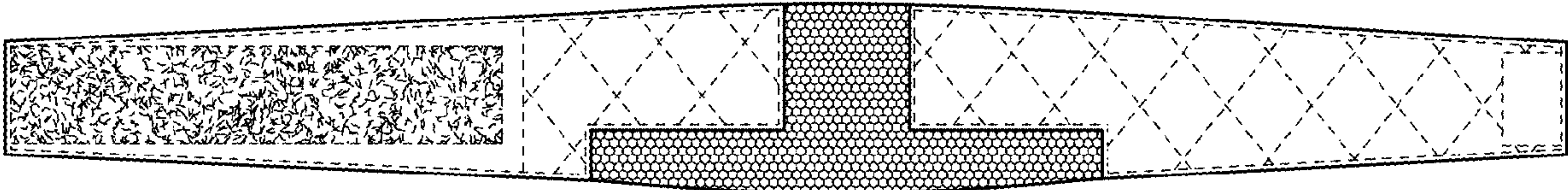


FIG. 6

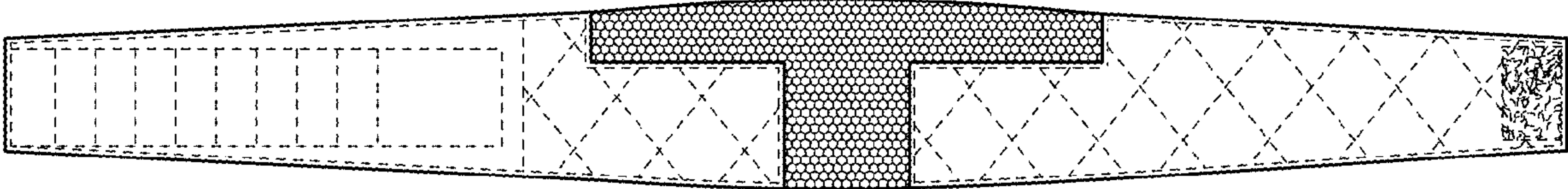


FIG. 7

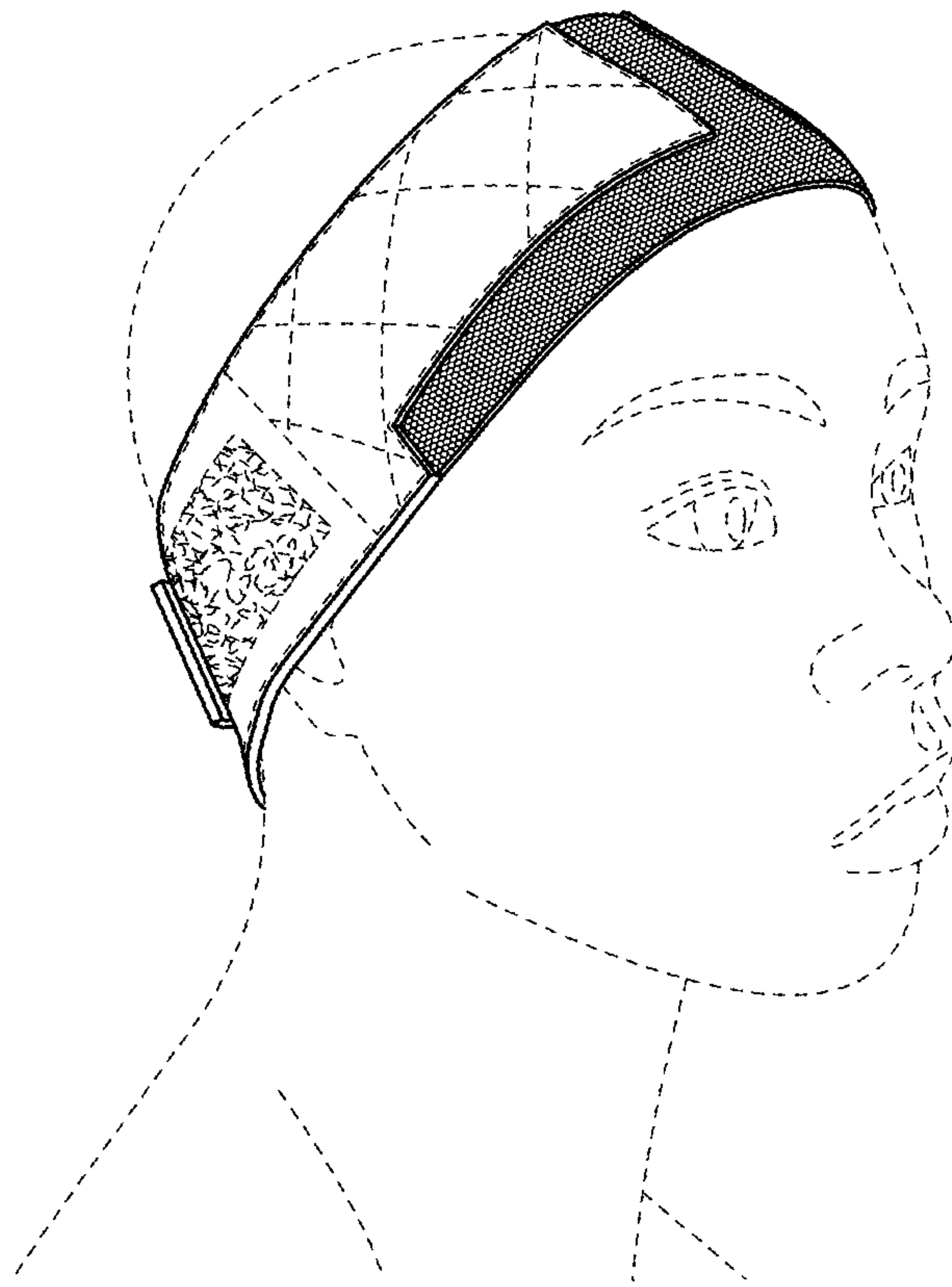


FIG. 8

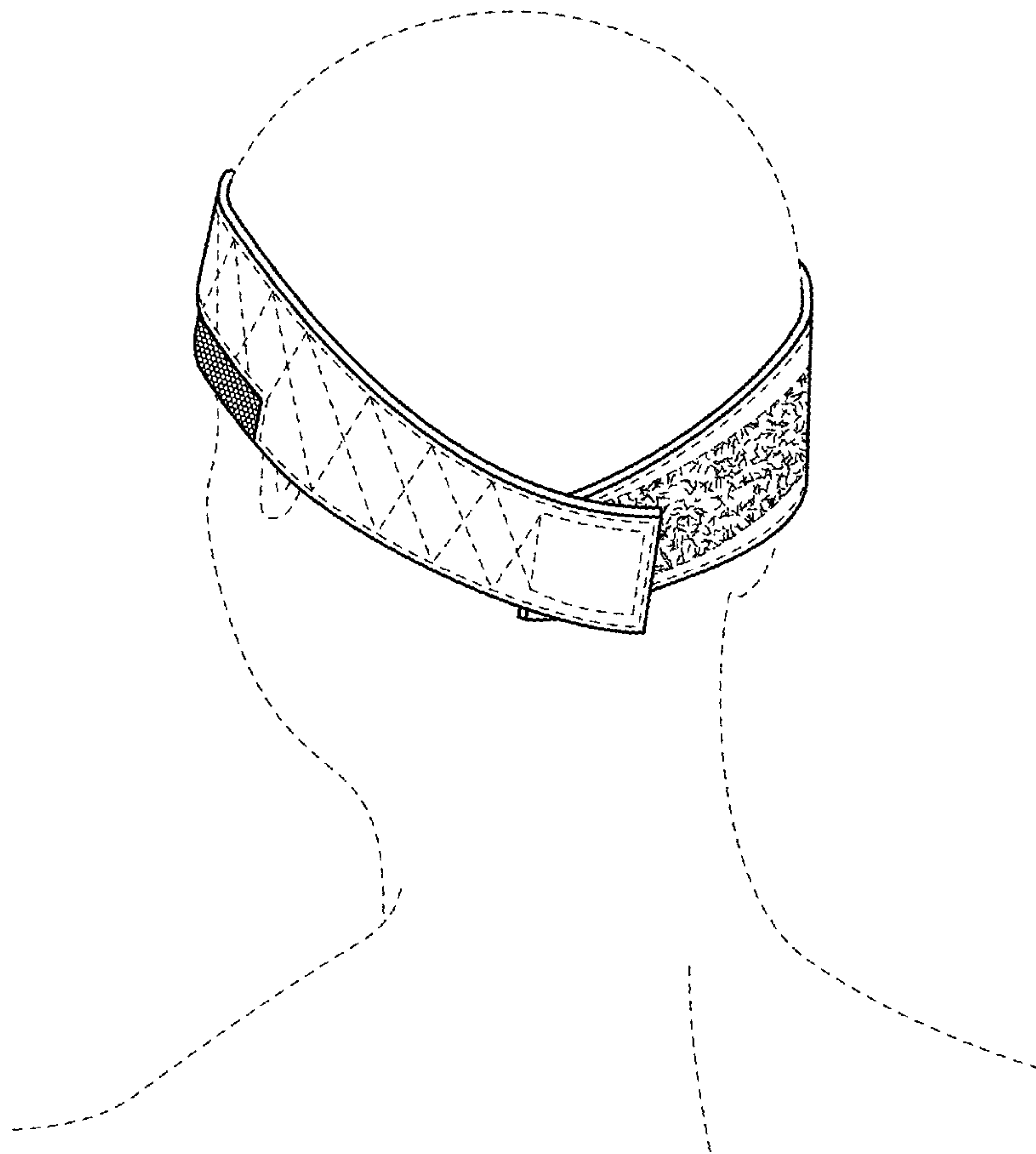


FIG. 9

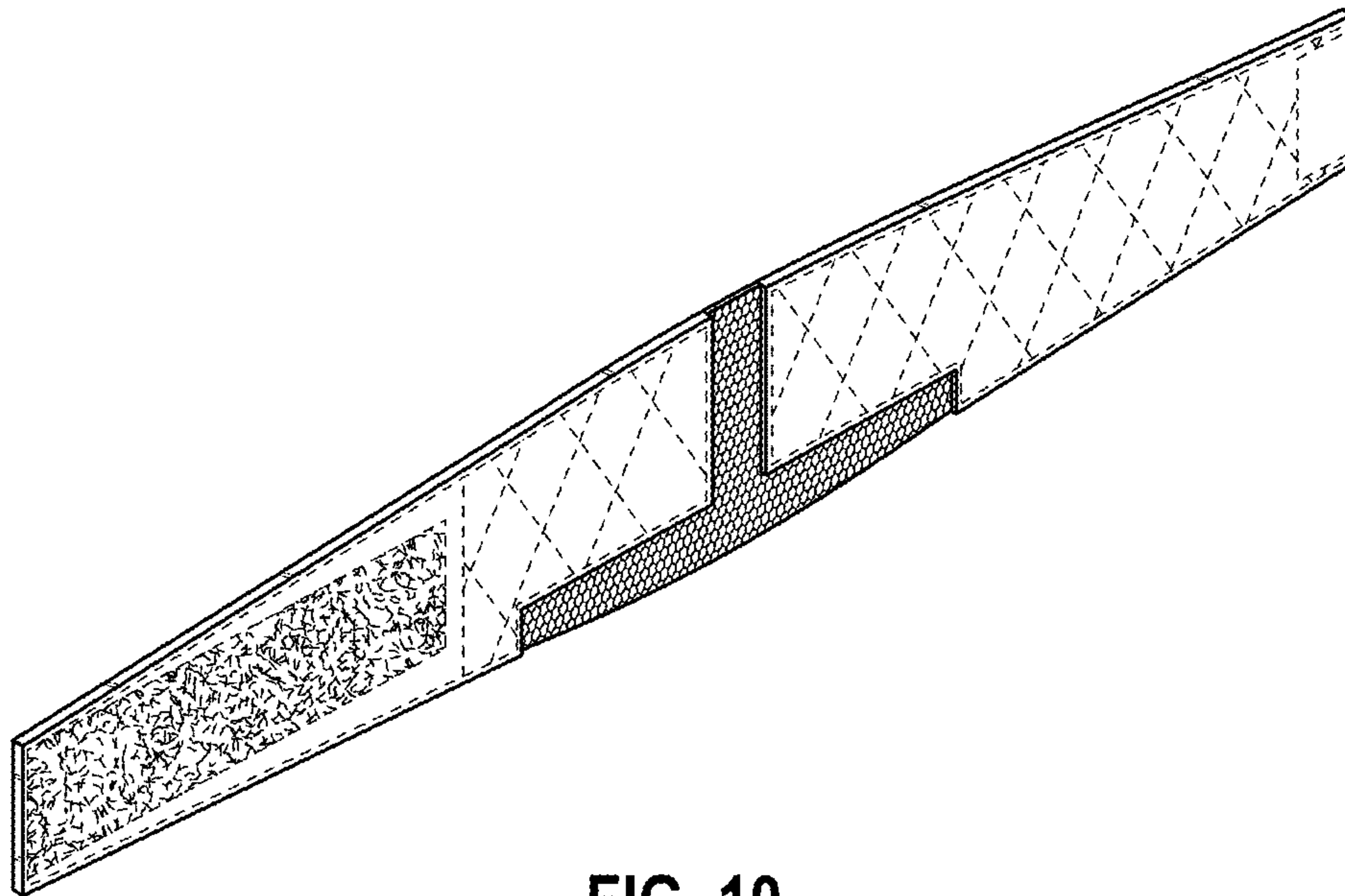
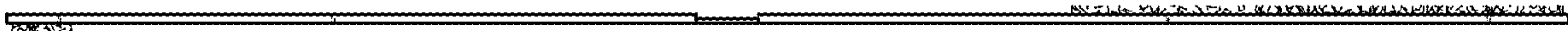


FIG. 10

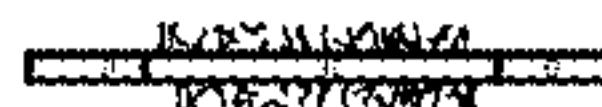




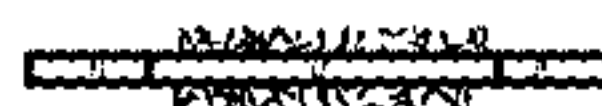
**FIG. 11**



**FIG. 12**



**FIG. 13**



**FIG. 14**

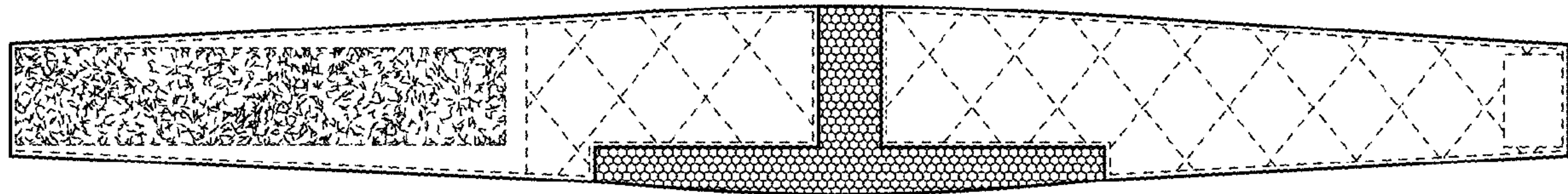


FIG. 15

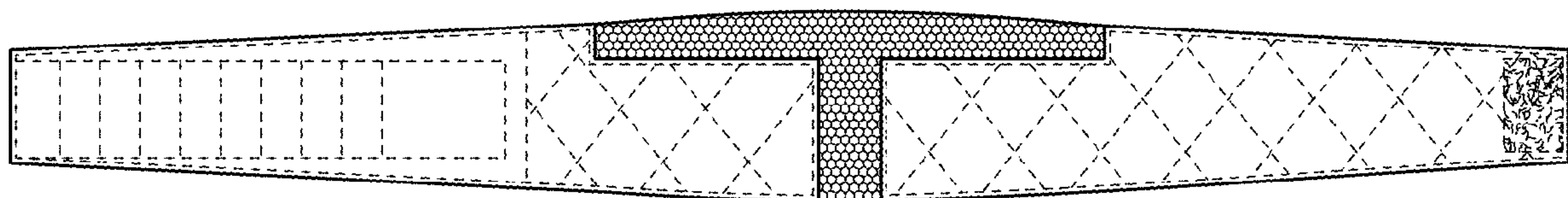


FIG. 16

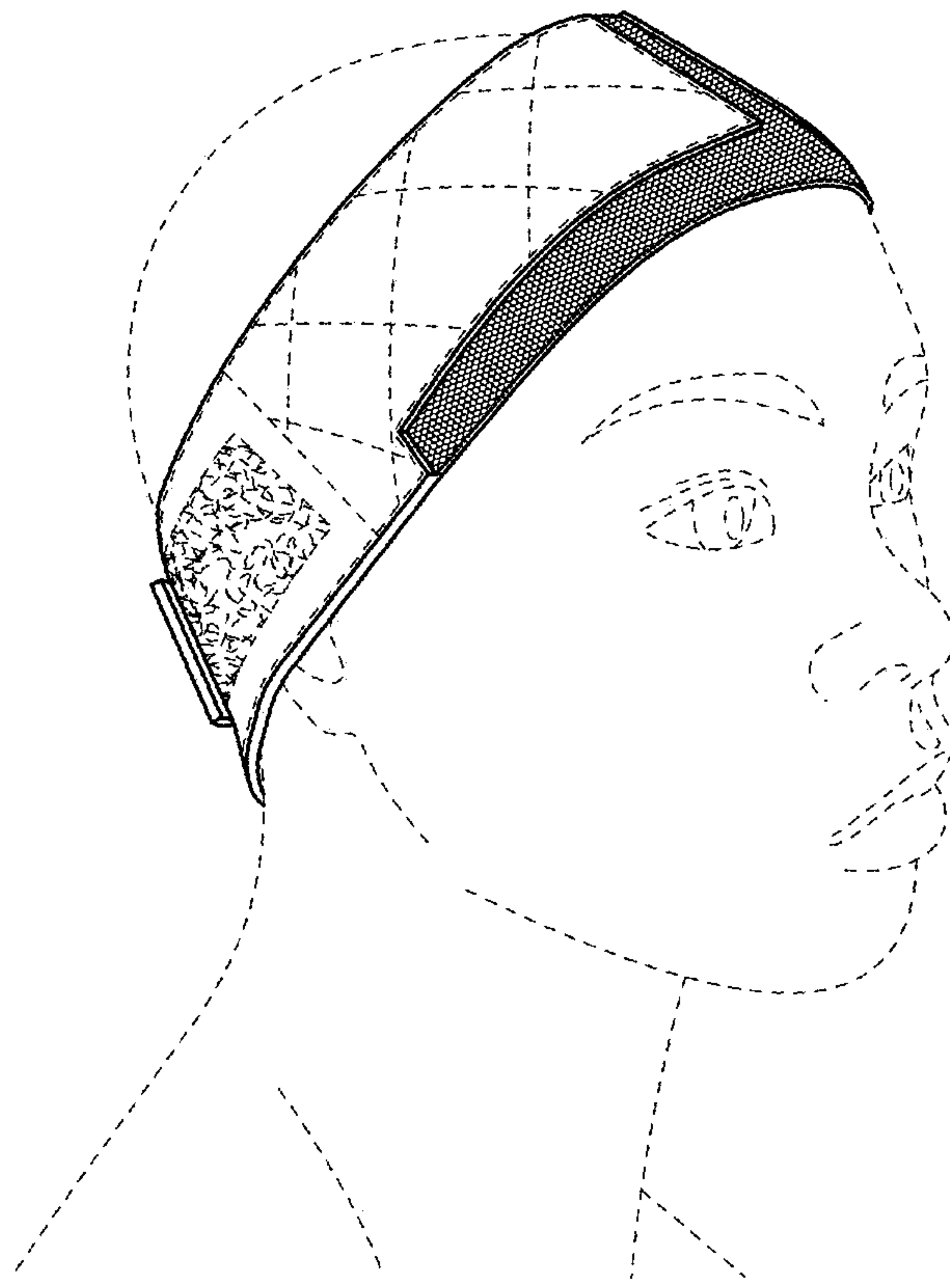


FIG. 17

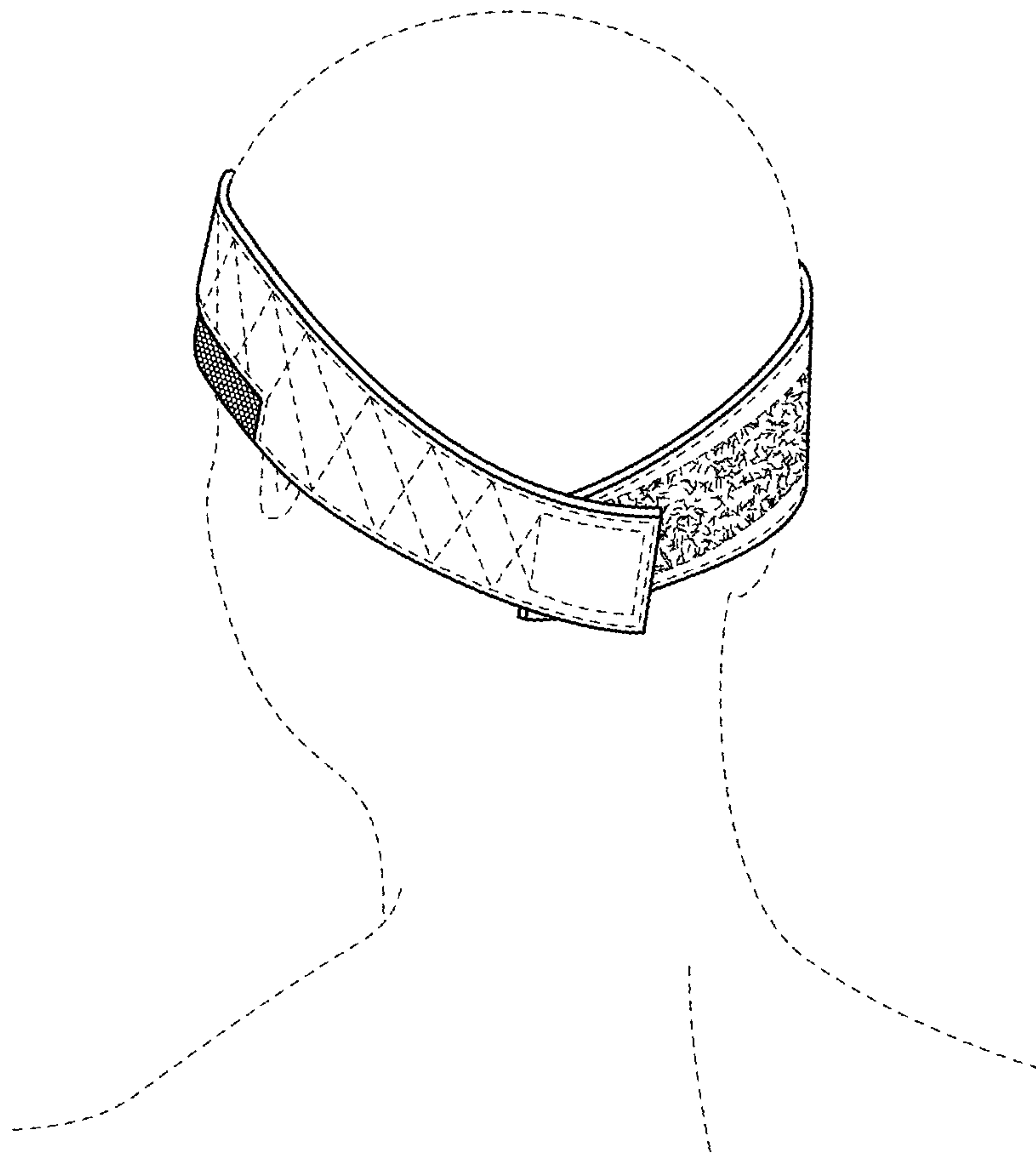


FIG. 18