



US00D873492S

(12) **United States Design Patent** (10) **Patent No.:** **US D873,492 S**
Valcke (45) **Date of Patent:** **** Jan. 21, 2020**

(54) **MASCARA CONTAINER**
(71) Applicant: **L'OREAL**, Paris (FR)
(72) Inventor: **Juliette Valcke**, Clichy (FR)
(73) Assignee: **L'OREAL**, Paris (FR)

D633,653 S * 3/2011 Lee D28/76
D641,469 S * 7/2011 Ruiz, Sr. D24/133
D707,127 S * 6/2014 DeMarco D9/539
D754,922 S * 4/2016 Schroft D28/7
D768,495 S * 10/2016 Staab D9/452
D779,124 S * 2/2017 Houyoux D28/91.1
D795,697 S * 8/2017 Reggiani D28/76
D818,641 S * 5/2018 Wilson D28/7

(**) Term: **15 Years**

OTHER PUBLICATIONS

(21) Appl. No.: **35/505,156**

Candy Mag, 3 Japanese Beauty Brands Now Available in the Philippines, posted Oct. 9, 2014, [online], [visited Mar. 6, 2019]. Internet, <URL: <https://www.candymag.com/beauty/3-japanese-beauty-brands-now-available-in-the-philippines>> (Year: 2014).*

Makeup and Beauty Blog, New Lancome Grandiose Mascara, posted Sep. 18, 2014, [online], [visited Mar. 6, 2019]. Internet, <URL: <https://www.makeupandbeautyblog.com/product-reviews/lancome-grandiose-mascara/>> (Year: 2014).*

(22) Filed: **May 28, 2018**

(80) **Hague Agreement Data**

Int. Filing Date: **May 28, 2018**
Int. Reg. No.: **DM/101551**
Int. Reg. Date: **May 28, 2018**
Int. Reg. Pub. Date: **Jun. 22, 2018**

* cited by examiner

(30) **Foreign Application Priority Data**

May 16, 2018 (EM) 005270022-001

Primary Examiner — Sheryl Lane

Assistant Examiner — Samantha N Wood

(51) **LOC (12) Cl.** **28-03**

(74) *Attorney, Agent, or Firm* — Edell, Shapiro & Finnan, LLC

(52) **U.S. Cl.**

USPC **D28/76**

(58) **Field of Classification Search**

USPC D28/4, 7, 9, 73, 76-78, 85, 99; D9/504, D9/522, 529, 688, 691, 723, 574, 549, D9/552, 539, 503

CPC A45D 2200/1072; A45D 2200/10; A45D 2200/1018; A45D 2200/1027; A45D 2200/1036; A45D 2200/1045

See application file for complete search history.

(57) **CLAIM**

The ornamental design for a mascara container, as shown and described.

(56) **References Cited**

U.S. PATENT DOCUMENTS

D155,043 S * 8/1949 Serra D9/504
D403,469 S * 12/1998 Driscoll D28/76
D518,239 S * 3/2006 Martinez D28/76
D531,509 S * 11/2006 Mongeon D9/522
D566,337 S * 4/2008 Althoff D28/76

DESCRIPTION

1. Mascara container

1.1 : Perspective

1.2 : Front

1.3 : Back

1.4 : Right

1.5 : In Use

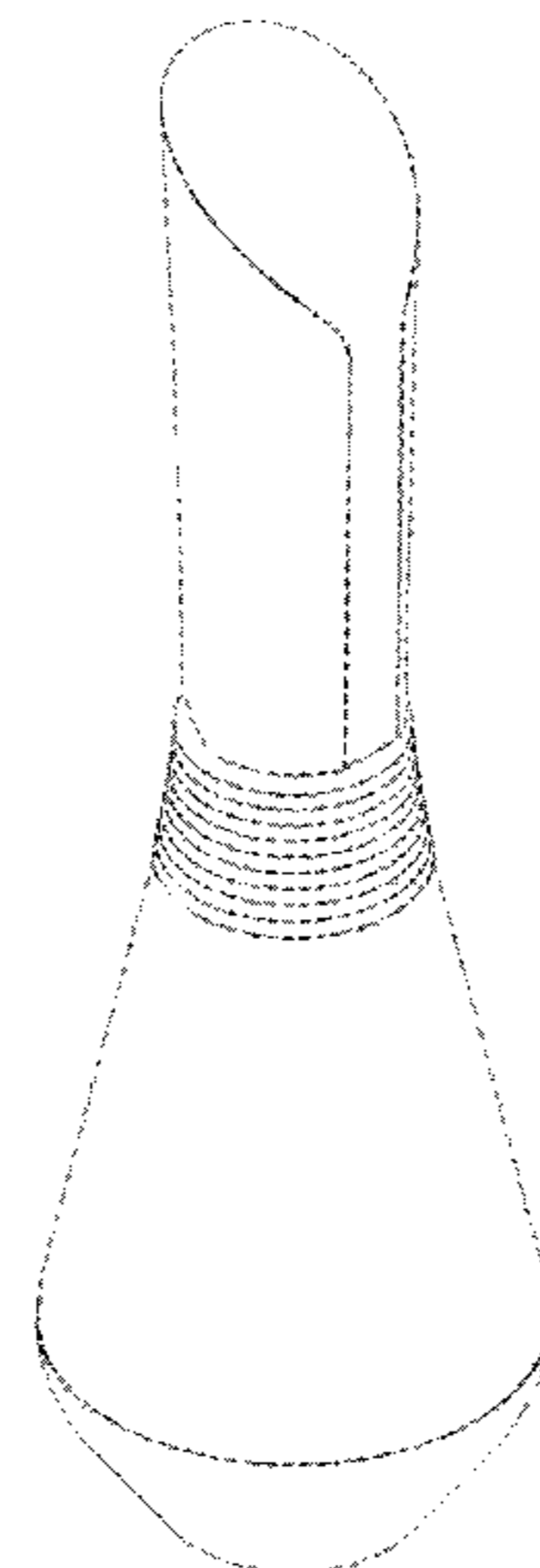
1.6 : Top

1.7 : Bottom

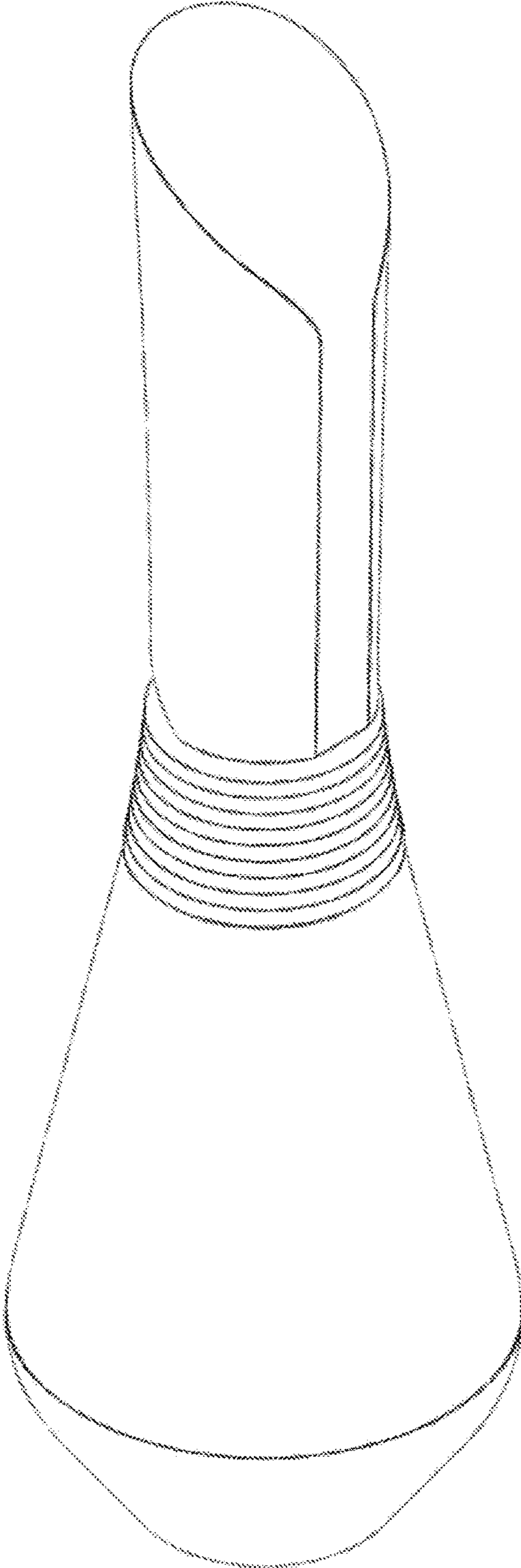
1.8 : Left

The broken lines in the drawings illustrate portions of the mascara container and form no part of claimed design.

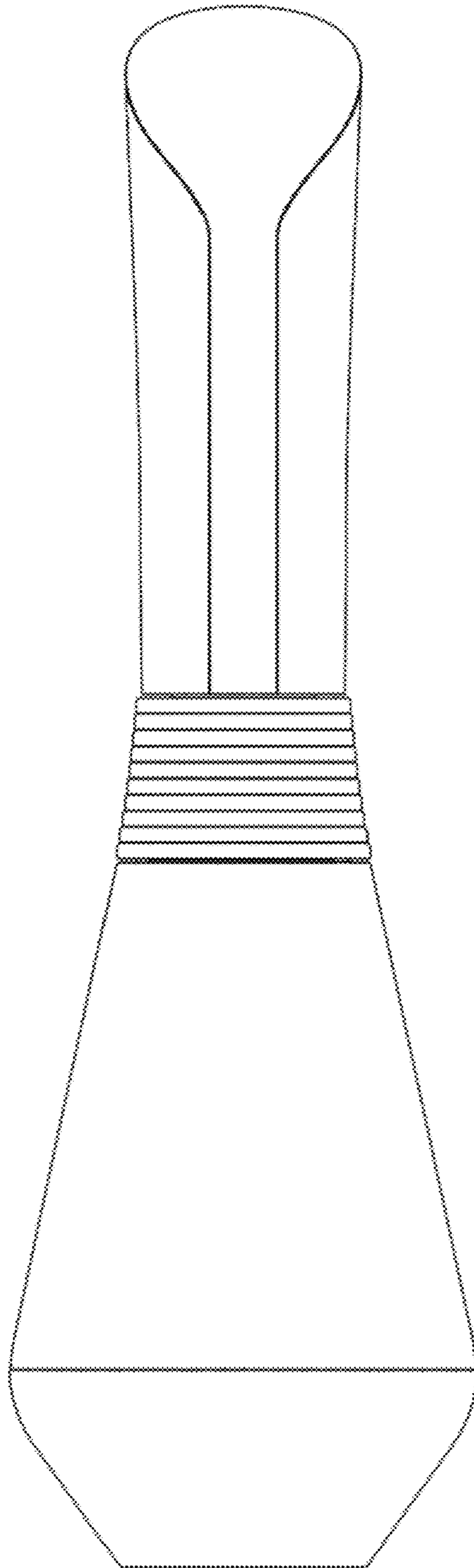
1 Claim, 8 Drawing Sheets



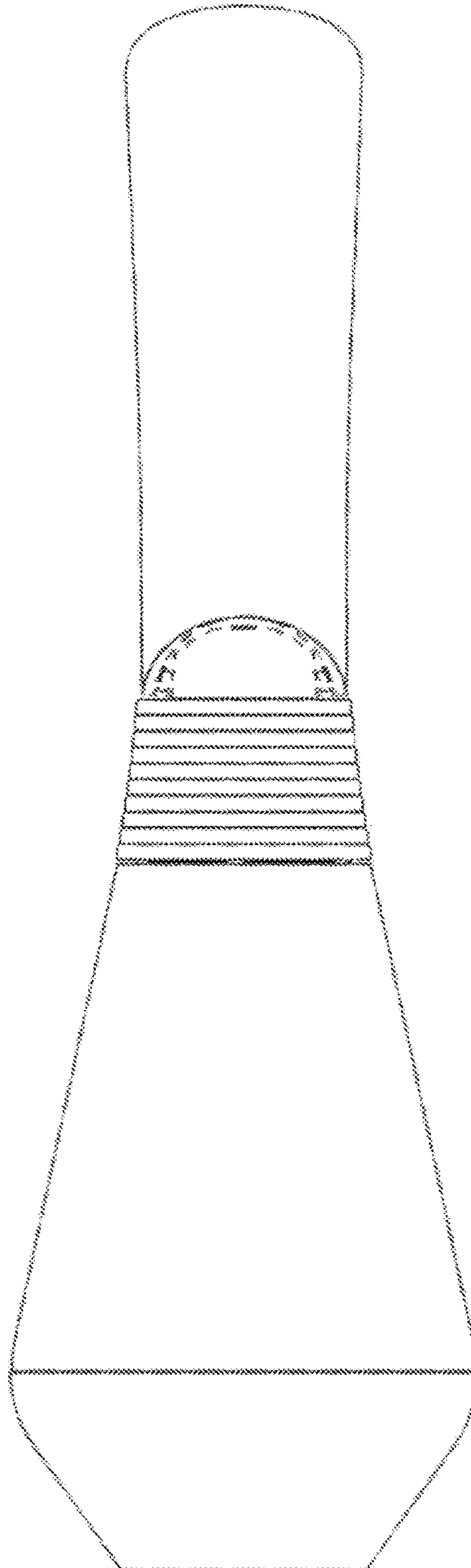
1.1



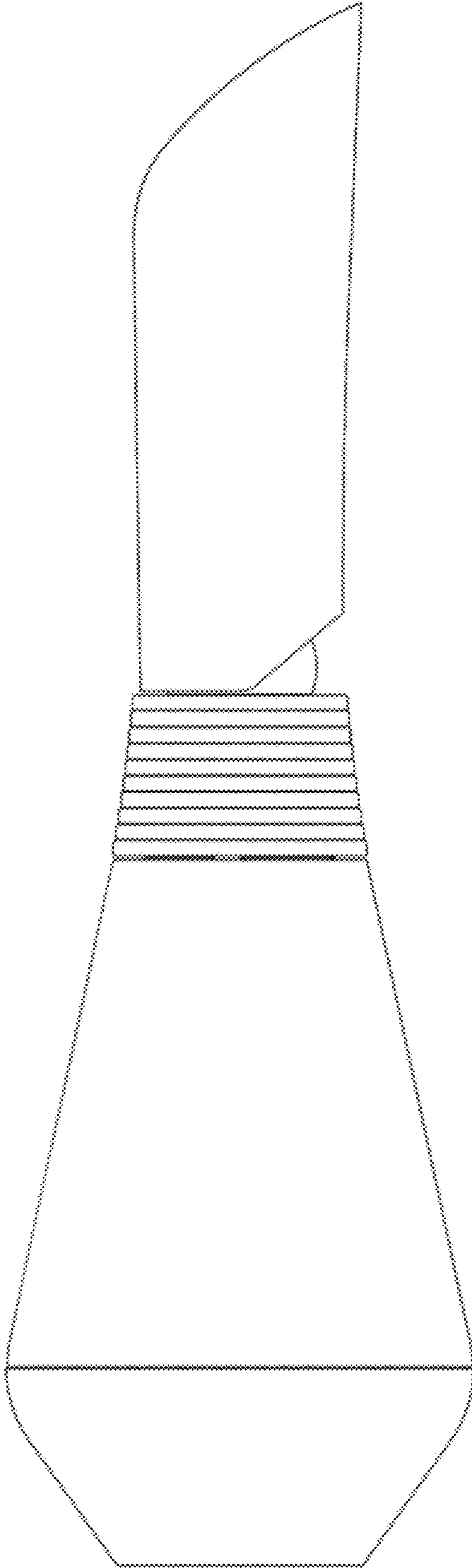
1.2



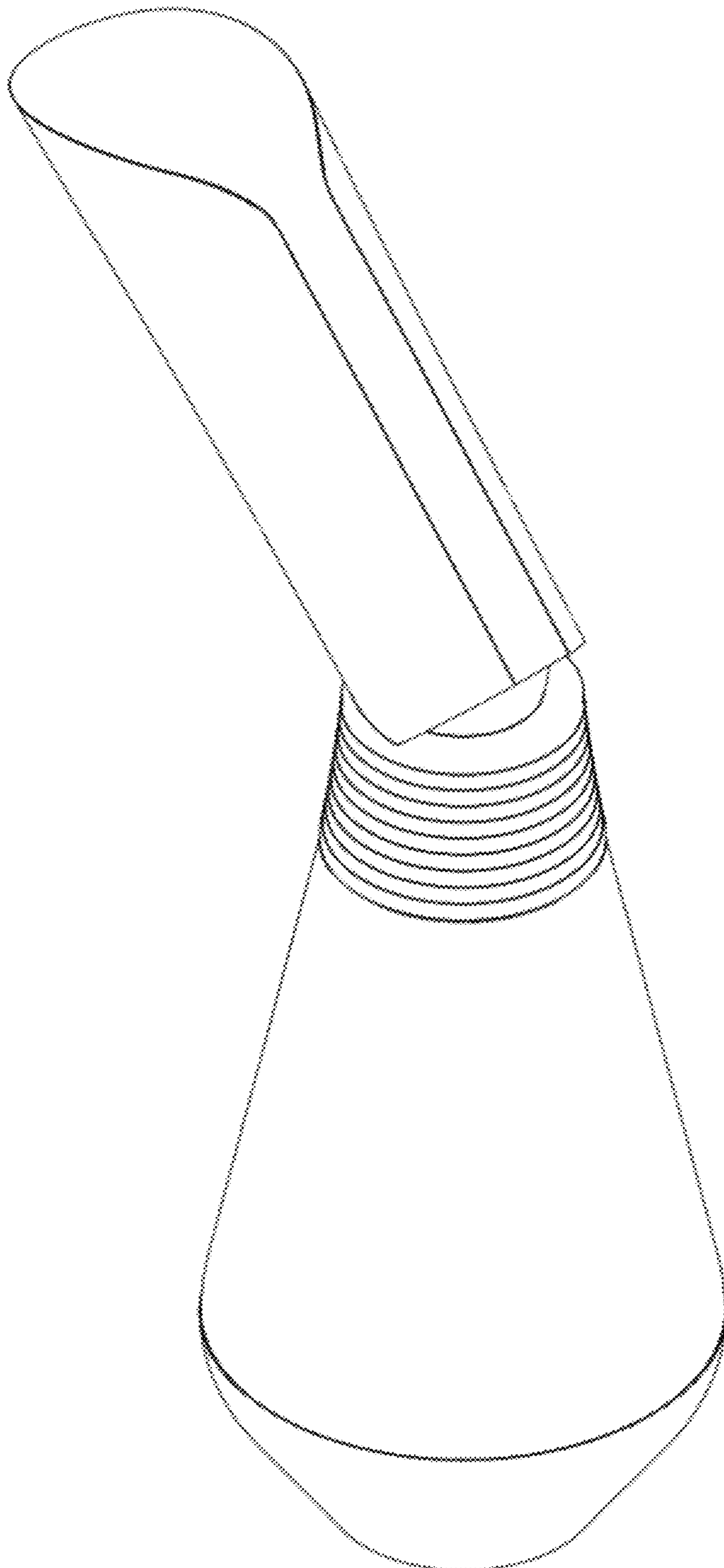
1.3



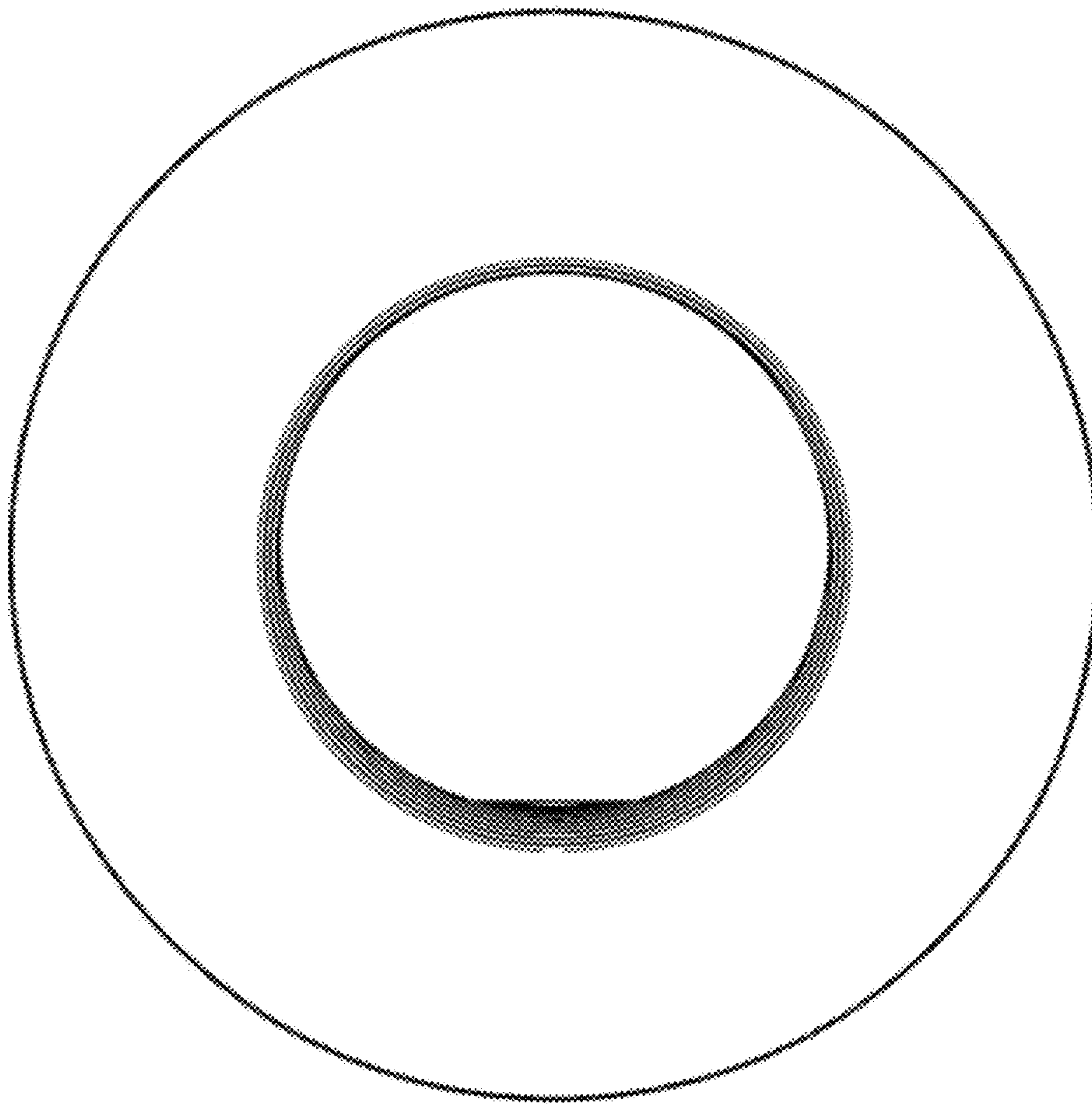
1.4



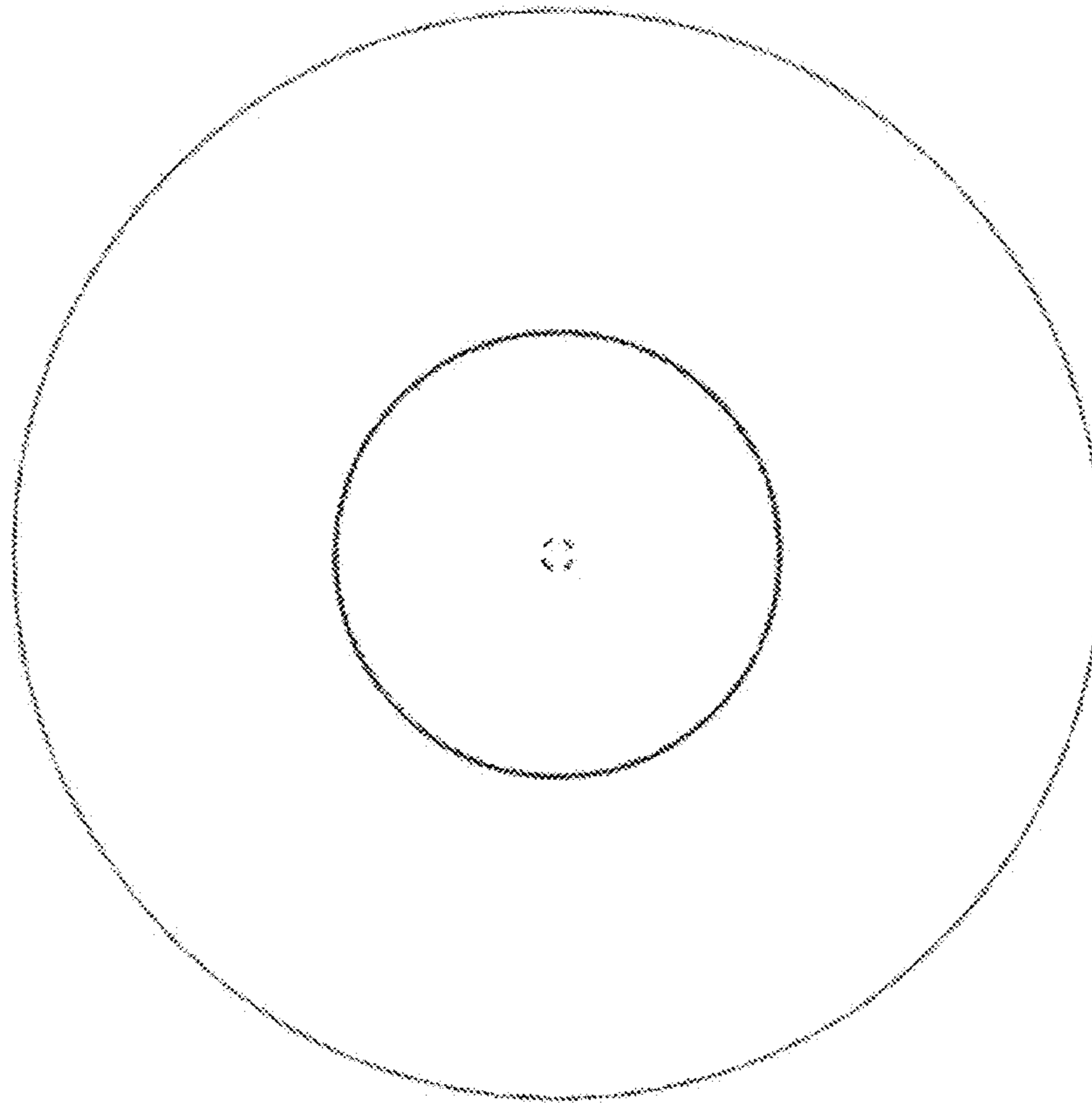
1.5



1.6



1.7



1.8

