



US00D873491S

(12) **United States Design Patent** (10) **Patent No.:** **US D873,491 S**  
**Cociffi** (45) **Date of Patent:** **\*\* Jan. 21, 2020**

(54) **TRIMMER**  
(71) Applicant: **KONINKLIJKE PHILIPS N.V.**,  
Eindhoven (NL)  
(72) Inventor: **Augustina Cociffi**, Eindhoven (NL)  
(73) Assignee: **KONINKLIJKE PHILIPS N.V.**,  
Eindhoven (NL)

2009/0000124 A1\* 1/2009 Micinilio ..... B26B 19/06  
30/34.1  
2015/0352734 A1\* 12/2015 Marut ..... F16C 11/10  
30/526  
2016/0059428 A1\* 3/2016 Lau ..... B26B 19/06  
30/30  
2017/0361476 A1\* 12/2017 Phoon ..... B26B 19/20  
2018/0021965 A1\* 1/2018 Phoon ..... B26B 19/20  
30/202

(\*\*) Term: **15 Years**  
(21) Appl. No.: **29/665,506**  
(22) Filed: **Oct. 4, 2018**

**FOREIGN PATENT DOCUMENTS**

EP 3450119 A1 \* 3/2019 ..... B26B 19/063

(30) **Foreign Application Priority Data**

Apr. 4, 2018 (EM) ..... 005183506

(51) **LOC (12) Cl.** ..... **28-03**  
(52) **U.S. Cl.**  
USPC ..... **D28/53**; D28/51  
(58) **Field of Classification Search**  
USPC ..... D28/49-54  
CPC .... B26B 19/20-205; B26B 19/00-107; B26B  
19/12-18; B26B 19/22-24; B26B  
19/26-265; B26B 19/28-36; B26B  
19/38-48

**OTHER PUBLICATIONS**

Philips Norelco Bodygroom Series 7000, 1 page, reviewed as early as Nov. 2018, downloaded Sep. 3, 2019 [https://www.amazon.com/Philips-Norelco-BG7040-Showerproof-Replacement/dp/B07H3CKT12/ref=cm\\_cr\\_arp\\_d\\_product\\_top?ie=UTF8&th=1](https://www.amazon.com/Philips-Norelco-BG7040-Showerproof-Replacement/dp/B07H3CKT12/ref=cm_cr_arp_d_product_top?ie=UTF8&th=1) (Year: 2018).\*

See application file for complete search history.

\* cited by examiner

*Primary Examiner* — Jennifer Rivard

(56) **References Cited**

**U.S. PATENT DOCUMENTS**

D591,451 S \* 4/2009 Micinilio ..... D28/46  
D600,408 S \* 9/2009 Micinilio ..... D28/46  
D604,908 S \* 11/2009 Kling ..... D28/46  
D649,712 S \* 11/2011 Pan ..... D28/46  
D675,378 S \* 1/2013 Boulanger ..... D28/46  
D758,016 S \* 5/2016 Andersson ..... D28/51  
D758,661 S \* 6/2016 Andersson ..... D28/51  
10,029,377 B2 \* 7/2018 Zijlstra ..... B26B 19/20

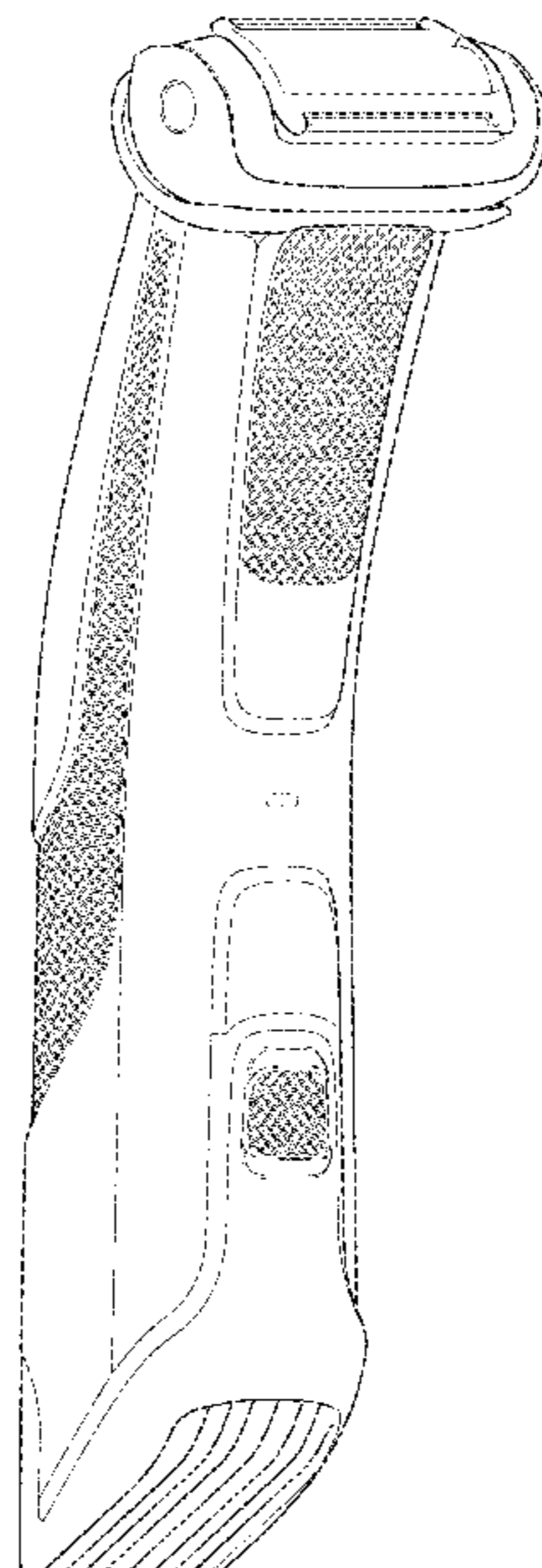
(57) **CLAIM**

The ornamental design for a trimmer, as shown and described.

**DESCRIPTION**

FIG. 1 is a perspective view showing my design;  
FIG. 2 is a front elevational view thereof;  
FIG. 3 is a rear elevational view thereof;  
FIG. 4 is a right side elevational view thereof;  
FIG. 5 is a left side elevational view thereof;  
FIG. 6 is a top plan view thereof; and,  
FIG. 7 is a bottom plan view thereof.  
The broken lines illustrate portions of the trimmer and form no part of the claimed design.

**1 Claim, 6 Drawing Sheets**



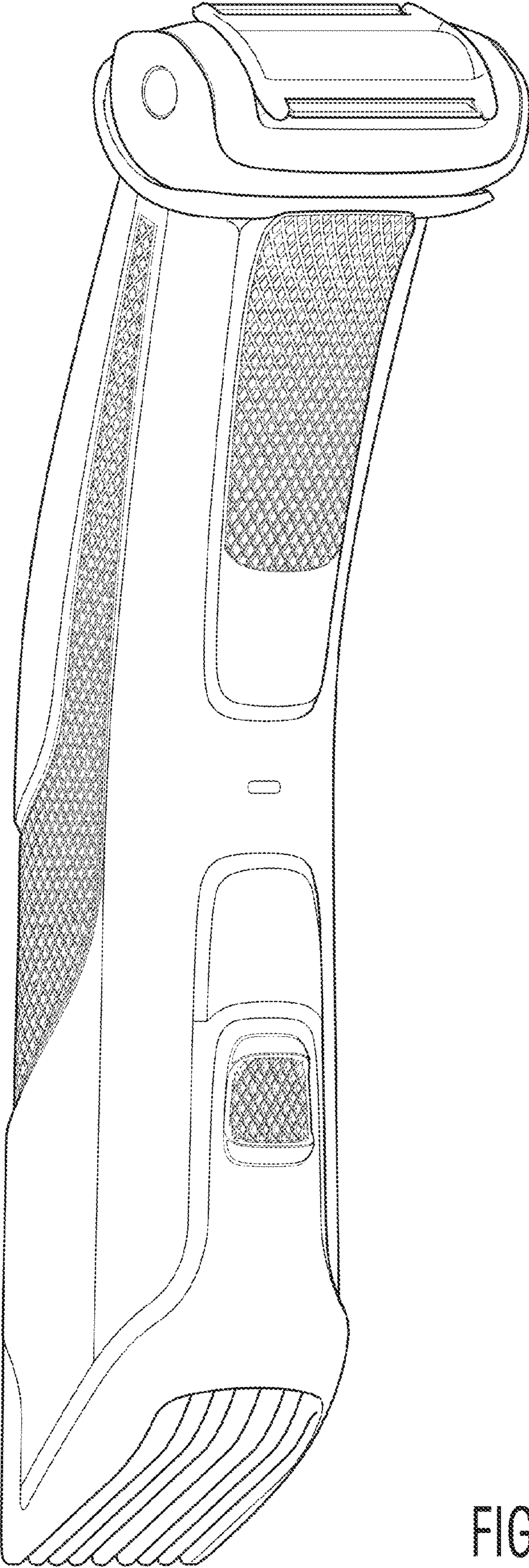


FIG. 1



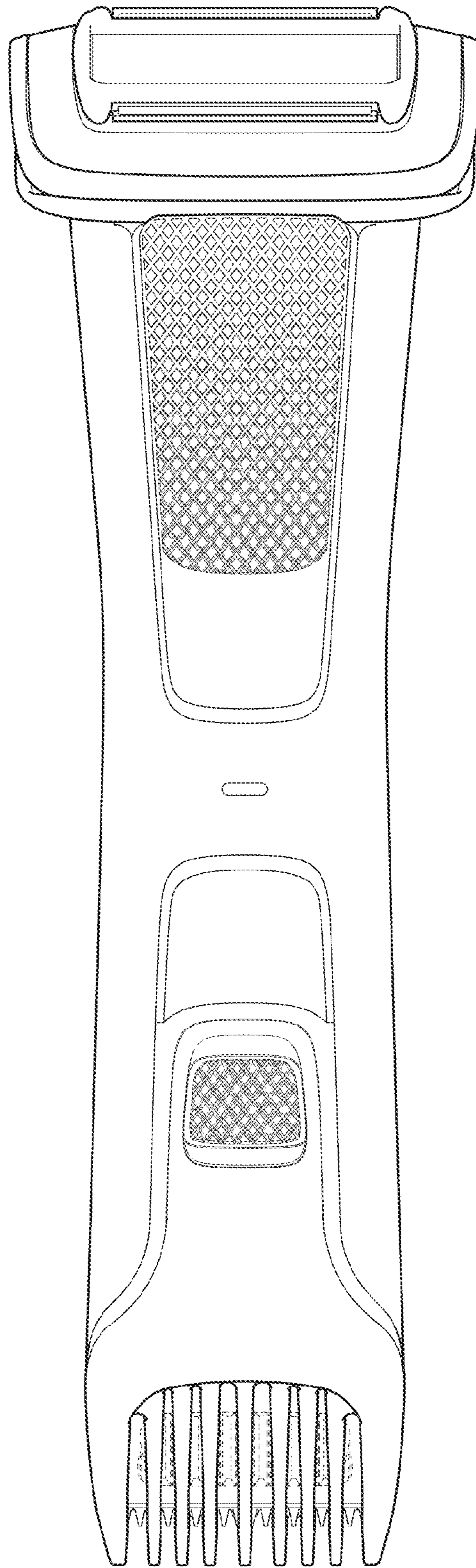


FIG. 2

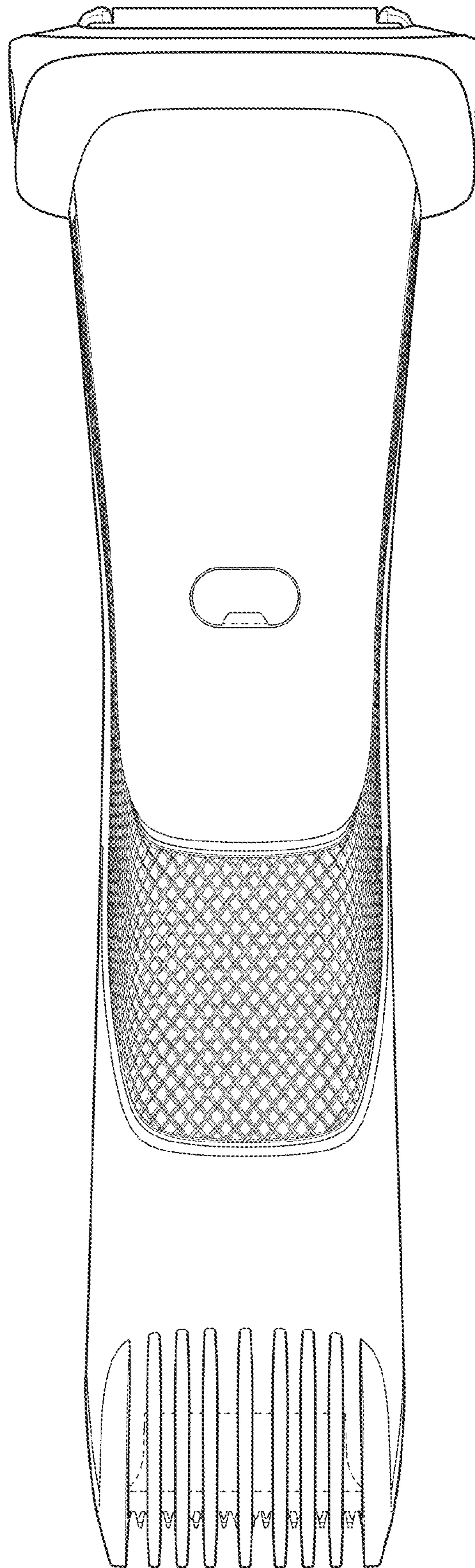


FIG. 3

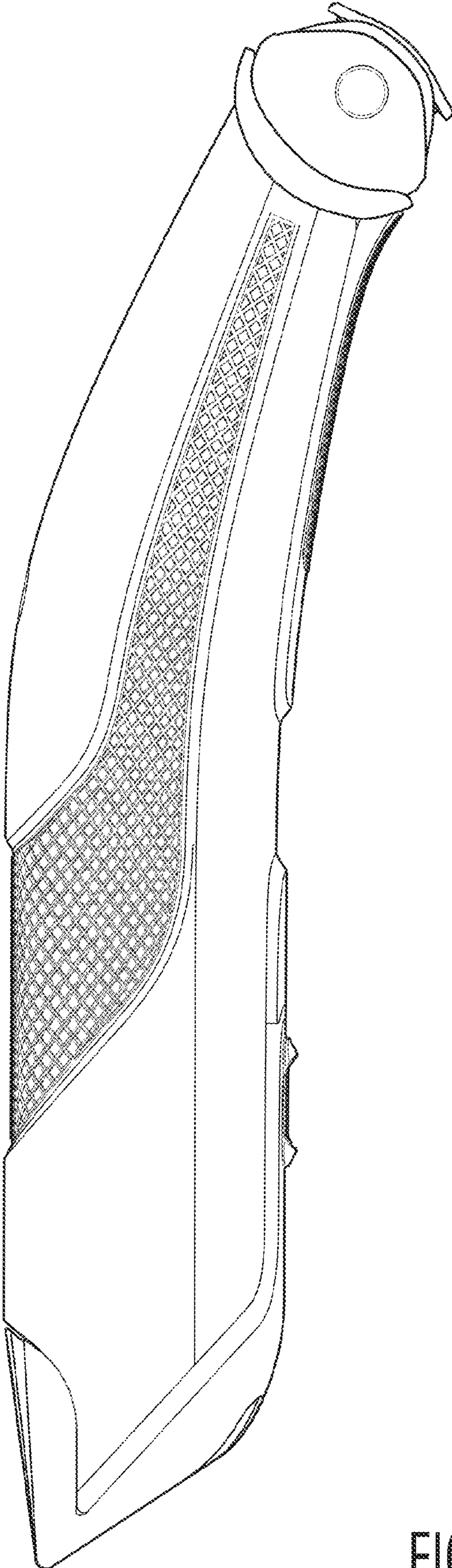


FIG. 4



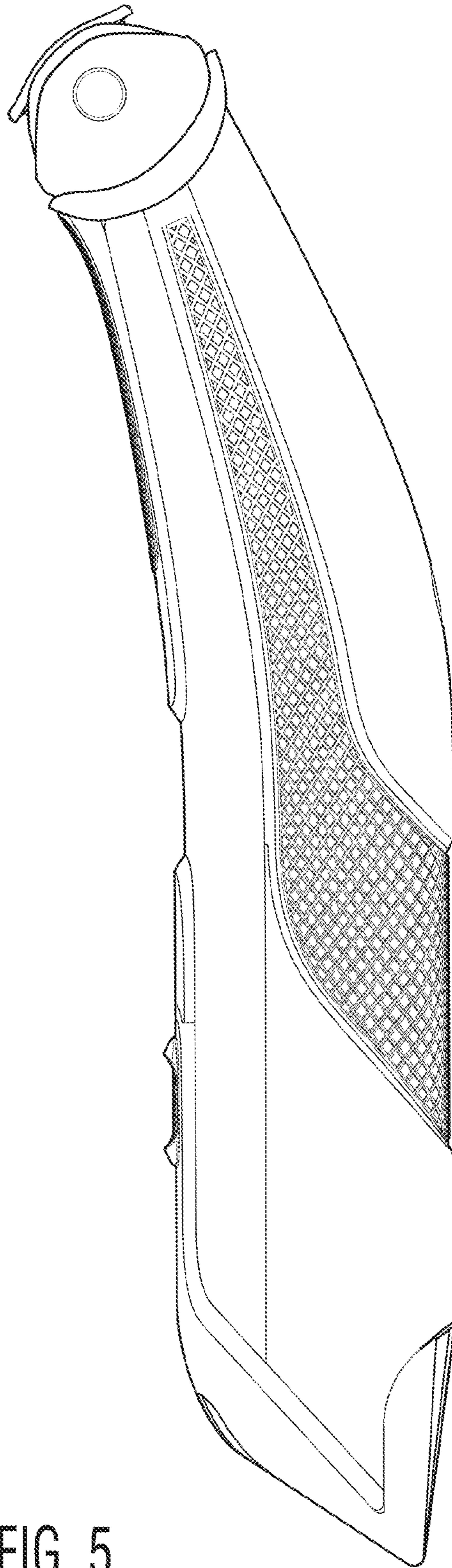


FIG. 5

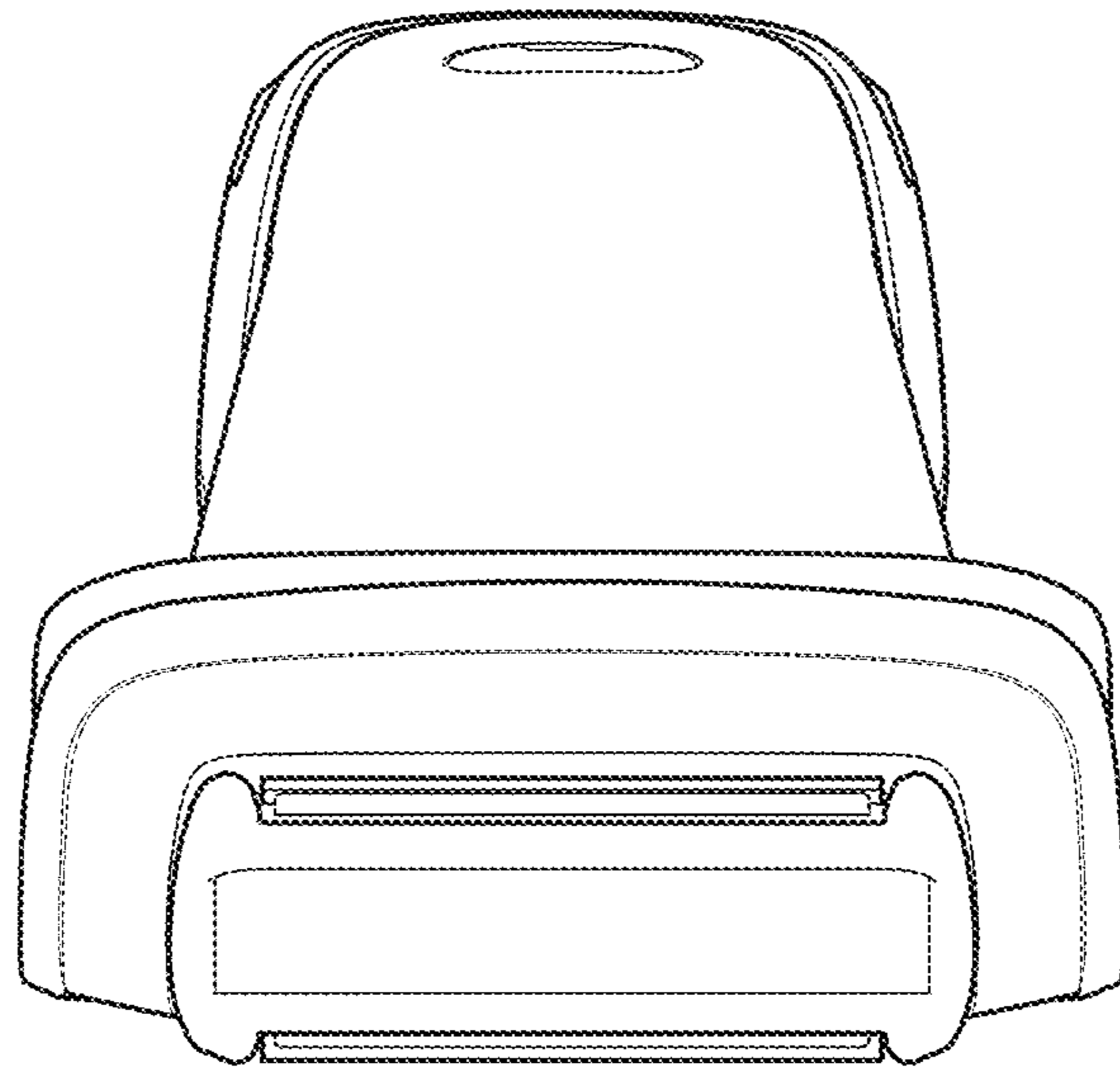


FIG. 6

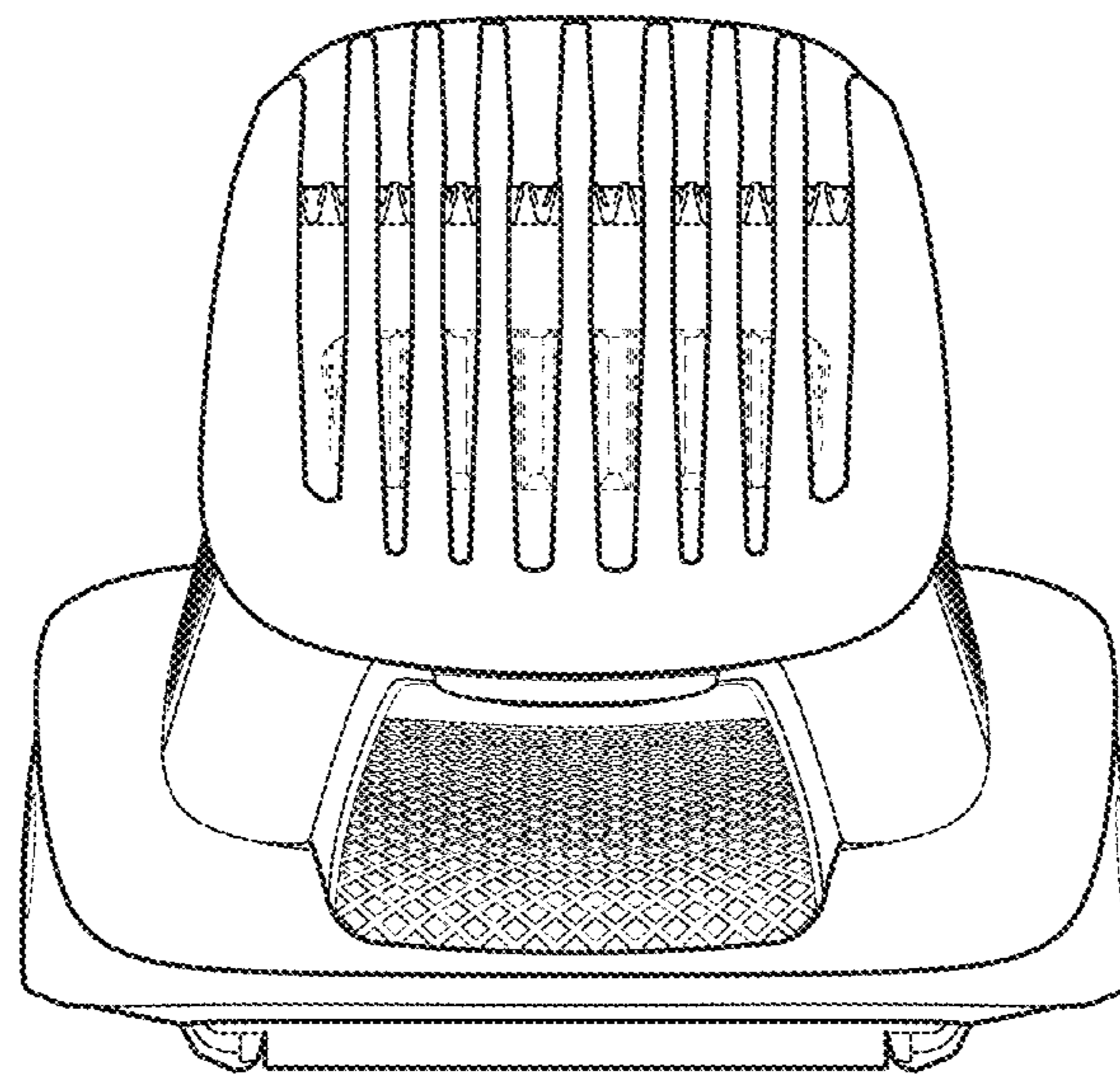


FIG. 7